

Архангельск (8182)63-90-72
Астана (7172)727-132
Астрахань (8512)99-46-04
Барнаул (3852)73-04-60
Белгород (4722)40-23-64
Брянск (4832)59-03-52
Владивосток (423)249-28-31
Волгоград (844)278-03-48
Вологда (8172)26-41-59
Воронеж (473)204-51-73
Екатеринбург (343)384-55-89

Иваново (4932)77-34-06
Ижевск (3412)26-03-58
Иркутск (395)279-98-46
Казань (843)206-01-48
Калининград (4012)72-03-81
Калуга (4842)92-23-67
Кемерово (3842)65-04-62
Киров (8332)68-02-04
Краснодар (861)203-40-90
Красноярск (391)204-63-61
Курск (4712)77-13-04
Липецк (4742)52-20-81

Киргизия (996)312-96-26-47

Магнитогорск (3519)55-03-13
Москва (495)268-04-70
Мурманск (8152)59-64-93
Набережные Челны (8552)20-53-41
Нижний Новгород (831)429-08-12
Новокузнецк (3843)20-46-81
Новосибирск (383)227-86-73
Омск (3812)21-46-40
Орел (4862)44-53-42
Оренбург (3532)37-68-04
Пенза (8412)22-31-16

Казахстан (772)734-952-31

Пермь (342)205-81-47
Ростов-на-Дону (863)308-18-15
Рязань (4912)46-61-64
Самара (846)206-03-16
Санкт-Петербург (812)309-46-40
Саратов (845)249-38-78
Севастополь (8692)22-31-93
Симферополь (3652)67-13-56
Смоленск (4812)29-41-54
Сочи (862)225-72-31
Ставрополь (8652)20-65-13

Таджикистан (992)427-82-92-69

Сургут (3462)77-98-35
Тверь (4822)63-31-35
Томск (3822)98-41-53
Тула (4872)74-02-29
Тюмень (3452)66-21-18
Ульяновск (8422)24-23-59
Уфа (347)229-48-12
Хабаровск (4212)92-98-04
Челябинск (351)202-03-61
Череповец (8202)49-02-64
Ярославль (4852)69-52-93

<http://sunflower.nt-rt.ru> || srw@nt-rt.ru

ЗАПЧАСТИ ДЛЯ КУЛЬТИВАТОРОВ SUNFLOWER/5055/6333/6433/3070.

Описание.

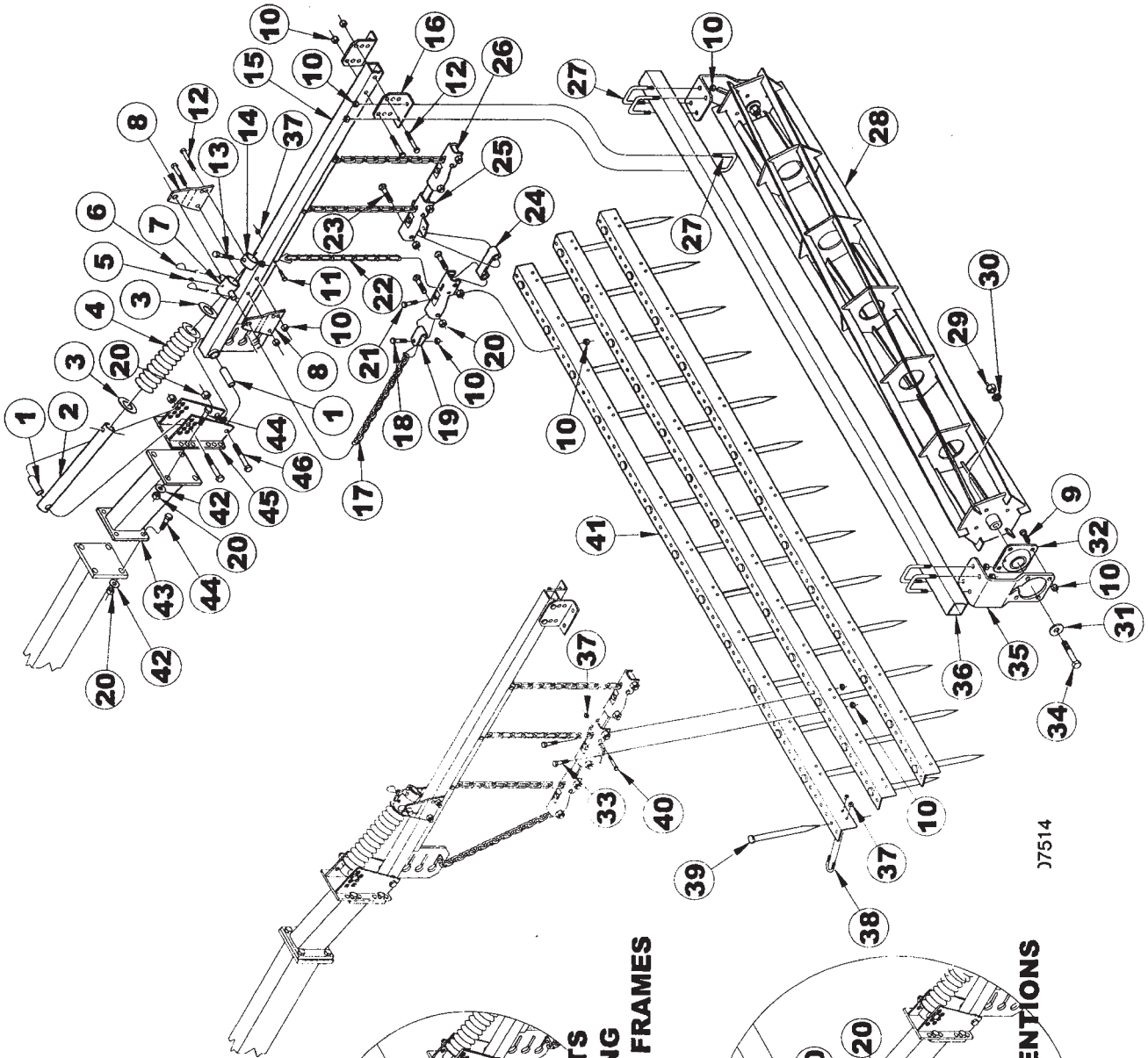
RECOMMENDED DEALER LIST	
RECOMMENDED DEALER STOCK	19
3-ROW COIL TINE & REEL PARTS	
REAR JACK ASSEMBLY	17
REEL ASSEMBLY	15
3-ROW COIL TINE	13
3-ROW SPIKE & REEL PARTS SECTION	
3-ROW SPIKE DRAG & REEL	7
6-ROW SPIKE DRAG PARTS SECTION	
6-ROW SPIKE DRAG ASSEMBLY	11

6333 LAND FINISHER ATTACHMENTS

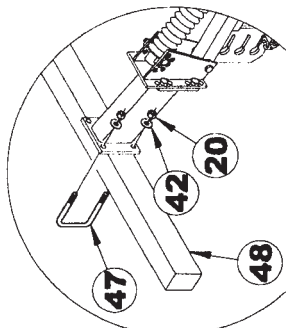
Part No.	Page	Grid	Part No.	Page	Grid	Part No.	Page	Grid	Part No.	Page	Grid
SNFK150083	11	1-B 7	SN2815	9	1-B 6	SN3985	7	1-B 6			
SNFK150173	15	1-B 7	SN2815	19	1-B 7	SN3985	11	1-B 7			
SNFK351023	15	1-B 7	SN2867	17	1-B 7	SN4738	9	1-B 6			
SNFK361002	15	1-B 7	SN3065	13	1-B 7	SN4738	11	1-B 7			
SNFK361002	19	1-B 7	SN3065	15	1-B 7	SN4738	13	1-B 7			
SNFK361003	15	1-B 7	SN317	13	1-B 7	SN4870	7	1-B 6			
SNFK361003	19	1-B 7	SN3215	9	1-B 6	SN4888	7	1-B 6			
SNFK501164	15	1-B 7	SN3215	15	1-B 7	SN5576	15	1-B 7			
SNHEN3410	13	1-B 7	SN3215	19	1-B 7	SN5633	9	1-B 6			
SN10057	9	1-B 6	SN3306	9	1-B 6	SN5633	15	1-B 7			
SN10057	15	1-B 7	SN3306	11	1-B 7	SN5715	13	1-B 7			
SN10059B	9	1-B 6	SN3306	15	1-B 7	SN5715	19	1-B 7			
SN10059B	15	1-B 7	SN3306	17	1-B 7	SN5719	13	1-B 7			
SN10060	9	1-B 6	SN3306	19	1-B 7	SN5722R	13	1-B 7			
SN10060	15	1-B 7	SN3335	7	1-B 6	SN5723	13	1-B 7			
SN10061	9	1-B 6	SN3335	19	1-B 7	SN5724	13	1-B 7			
SN10061	15	1-B 7	SN3352	17	1-B 7	SN5727	13	1-B 7			
SN10146B	11	1-B 7	SN3353	17	1-B 7	SN5729	13	1-B 7			
SN10148B	11	1-B 7	SN3354	17	1-B 7	SN5730	13	1-B 7			
SN10149B	9	1-B 6	SN3355	17	1-B 7	SN5731	13	1-B 7			
SN10152	11	1-B 7	SN3371	13	1-B 7	SN5731	19	1-B 7			
SN10154	9	1-B 6	SN3371	17	1-B 7	SN5732	13	1-B 7			
SN10154	11	1-B 7	SN3557	13	1-B 7	SN5732	19	1-B 7			
SN10155	11	1-B 7	SN3566	13	1-B 7	SN5736	15	1-B 7			
SN10156	9	1-B 6	SN3567	9	1-B 6	SN5737	15	1-B 7			
SN10161	11	1-B 7	SN3567	11	1-B 7	SN5738	15	1-B 7			
SN10161	19	1-B 7	SN3567	13	1-B 7	SN5810	9	1-B 6			
SN10162	11	1-B 7	SN3569	13	1-B 7	SN5810	11	1-B 7			
SN10162	19	1-B 7	SN3569	15	1-B 7	SN5887	15	1-B 7			
SN10163	11	1-B 7	SN3606	7	1-B 6	SN5890	13	1-B 7			
SN1040	9	1-B 6	SN3609	13	1-B 7	SN668	15	1-B 7			
SN1040	15	1-B 7	SN3610	13	1-B 7	SN669	15	1-B 7			
SN106	9	1-B 6	SN3611	13	1-B 7	SN669-1	7	1-B 6			
SN106	15	1-B 7	SN3612	13	1-B 7	SN669-1	11	1-B 7			
SN10646B	11	1-B 7	SN3613	9	1-B 6	SN669-1	13	1-B 7			
SN112	7	1-B 6	SN3613	15	1-B 7	SN669-1	15	1-B 7			
SN112	11	1-B 7	SN3619	7	1-B 6	SN669-1	17	1-B 7			
SN12340R	11	1-B 7	SN3619	15	1-B 7	SN670	9	1-B 6			
SN12341	11	1-B 7	SN3619	19	1-B 7	SN670	15	1-B 7			
SN12341	19	1-B 7	SN3621	13	1-B 7	SN7013	7	1-B 6			
SN12342	11	1-B 7	SN3621	19	1-B 7	SN7013	11	1-B 7			
SN12344	11	1-B 7	SN3622	7	1-B 6	SN7013	19	1-B 7			
SN12345B	11	1-B 7	SN3623	7	1-B 6	SN7013	19	1-B 7			
SN12532	15	1-B 7	SN3625	7	1-B 6	SN7056R	9	1-B 6			
SN12532R	9	1-B 6	SN3626	7	1-B 6	SN71L-2901	15	1-B 7			
SN12533	11	1-B 7	SN3628	7	1-B 6	SN7687	9	1-B 6			
SN12534	11	1-B 7	SN3629	13	1-B 7	SN7907	13	1-B 7			
SN12542B	11	1-B 7	SN3635	13	1-B 7	SN7908	13	1-B 7			
SN12562R	9	1-B 6	SN3635	15	1-B 7	SN9777	17	1-B 7			
SN12567R	15	1-B 7	SN3635	19	1-B 7	SN9917	9	1-B 6			
SN1507	7	1-B 6	SN3643	9	1-B 6	SN9917	15	1-B 7			
SN1507	13	1-B 7	SN3643	15	1-B 7						
SN156	7	1-B 6	SN3644	9	1-B 6						
SN159	15	1-B 7	SN3644	15	1-B 7						
SN1599	9	1-B 6	SN3645	15	1-B 7						
SN1599	15	1-B 7	SN3646	9	1-B 6						
SN1609	7	1-B 6	SN3646	15	1-B 7						
SN1723	15	1-B 7	SN3647	13	1-B 7						
SN175	7	1-B 6	SN3647	15	1-B 7						
SN175	13	1-B 7	SN3652	9	1-B 6						
SN178	13	1-B 7	SN3859	13	1-B 7						
SN1823	9	1-B 6	SN3894	9	1-B 6						
SN1823	11	1-B 7	SN3894	19	1-B 7						
SN194	7	1-B 6	SN3895B	9	1-B 6						
SN194	15	1-B 7	SN3895B	19	1-B 7						
SN2045	7	1-B 6	SN3938	15	1-B 7						
SN2045	11	1-B 7	SN3976	7	1-B 6						
SN2078	15	1-B 7	SN3976	11	1-B 7						
SN2089	15	1-B 7	SN3976	19	1-B 7						
SN2094	17	1-B 7	SN3977	7	1-B 6						
SN2096	7	1-B 6	SN3979	7	1-B 6						
SN2097	11	1-B 7	SN3982	7	1-B 6						
SN2098-6	7	1-B 6	SN3982	11	1-B 7						
SN2557	9	1-B 6	SN3983	11	1-B 7						
SN2755	7	1-B 6	SN3984	11	1-B 7						

6333 LAND FINISHER ATTACHMENTS
3-ROW SPIKE & REEL PARTS SECTION

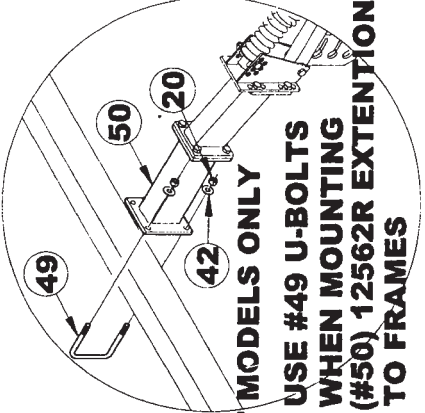
3-ROW SPIKE DRAG & REEL



J7514



**USE #47 U-BOLTS
WHEN MOUNTING
ARMS TO WING FRAMES**



**22' MODELS ONLY
USE #49 U-BOLTS
WHEN MOUNTING
(#50) 12562R EXTENSIONS
TO FRAMES**

**6333 LAND FINISHER ATTACHMENTS
3-ROW SPIKE & REEL PARTS SECTION**

3-ROW SPIKE DRAG & REEL

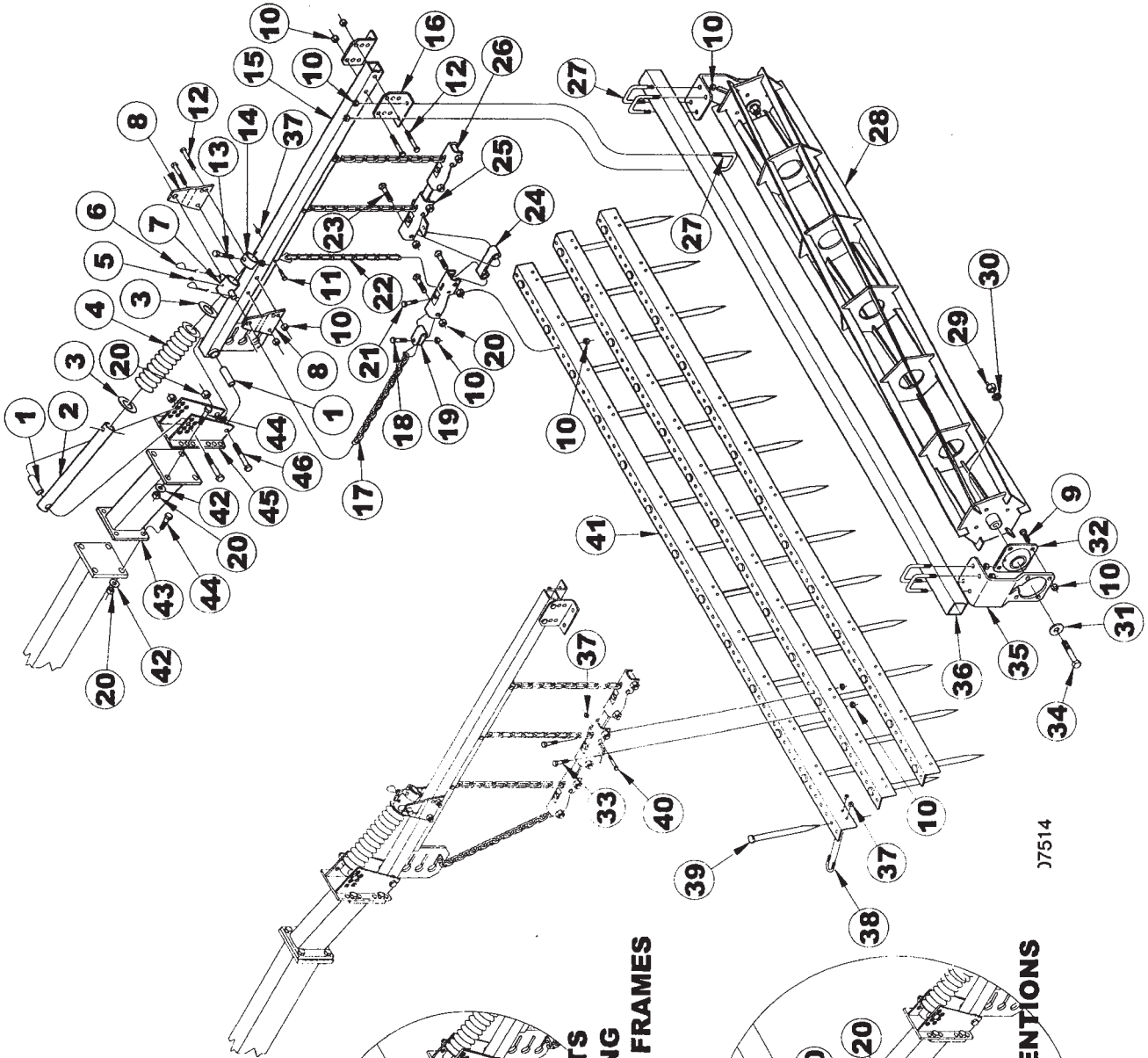
ITEM	NUMBER	QTY	DESCRIPTION
1	SN3628		REEL CARRIER ARM PIVOT BUSHING
2	SN3625		SPRING TUBE
3	SN2755		FLAT WASHER, 1 9/16" ID X 2 13/16" OD, 10 GA, Y/D
4	SN3335		SPRING
5	SN2098-6		GREASE ZERK, 1/4"-28, 17/32" L,
6	SN1609		COTTER PIN, 3/16" X 1 1/2"
7	SN3623		SPRING PIVOT
8	SN3606		SPRING MOUNT
9	SN194		HEX BOLT, 1/2"-13 X 1 1/2", GR 5, Y/D
10	SN2096		LOCK NUT, 1/2"-13 HEX NYLON INSERT
11	SN175		HEX BOLT, 3/8"-16 X 1 1/2", GR 5, Y/D
12	SN1507		HEX BOLT, 1/2"-13 X 3 1/2", GR 5, Y/D
13	SN156		HEX BOLT, 1/2"-13 X 3", GR 5 Y/D
14	SN3626		SPRING STOP
15	SN4870		SPIKE & REEL ARM
16	SN3622		REEL GANG BAR MOUNT
17	SN4888		CHAIN, 5/16" PROOF, 15 LINKS
18	SN2045		HEX BOLT, 1/2"-13 X 1 3/4", GR5, Y/D
19	SN7013		U-CLIP
20	SN669-1		LOCK NUT, 5/8" HEX NYLON INSERT, GR 5, Y/D
21	SN112		HEX BOLT, 1/2"-13 X 2 1/2", GR 5, Y/D
22	SN3982		CHAIN, 7/0 SIDE 10 LINKS
23	SN3985		CARRIAGE BOLT, 5/8"-11 X 3" GR 5, Y/D SPECIAL
24	SN3976		LINK, OFFSET
25	SN3979		DOUBLE BAR BRACKET
26	SN3977		BAR BRACKET
27	SN3619		U-BOLT, 1/2"-13 X 3 5/8" X 3" W, GR5, Y/D

CONTINUED

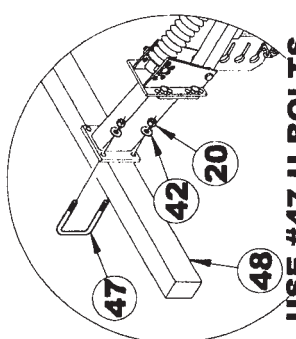
I0007514
PR: t05g29n54c0001

6333 LAND FINISHER ATTACHMENTS
3-ROW SPIKE & REEL PARTS SECTION

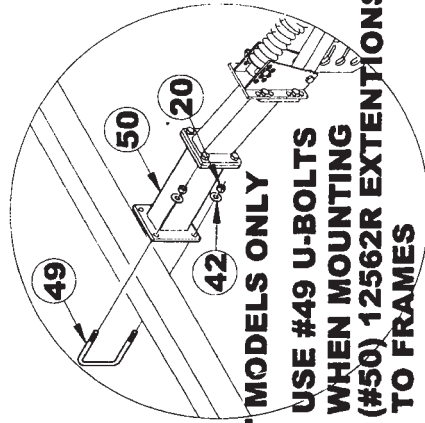
3-ROW SPIKE DRAG & REEL



37514



**USE #47 U-BOLTS
WHEN MOUNTING
ARMS TO WING FRAMES**



**22" MODELS ONLY
USE #49 U-BOLTS
WHEN MOUNTING
(#50) 12562R EXTENSIONS
TO FRAMES**

**6333 LAND FINISHER ATTACHMENTS
3-ROW SPIKE & REEL PARTS SECTION**

9

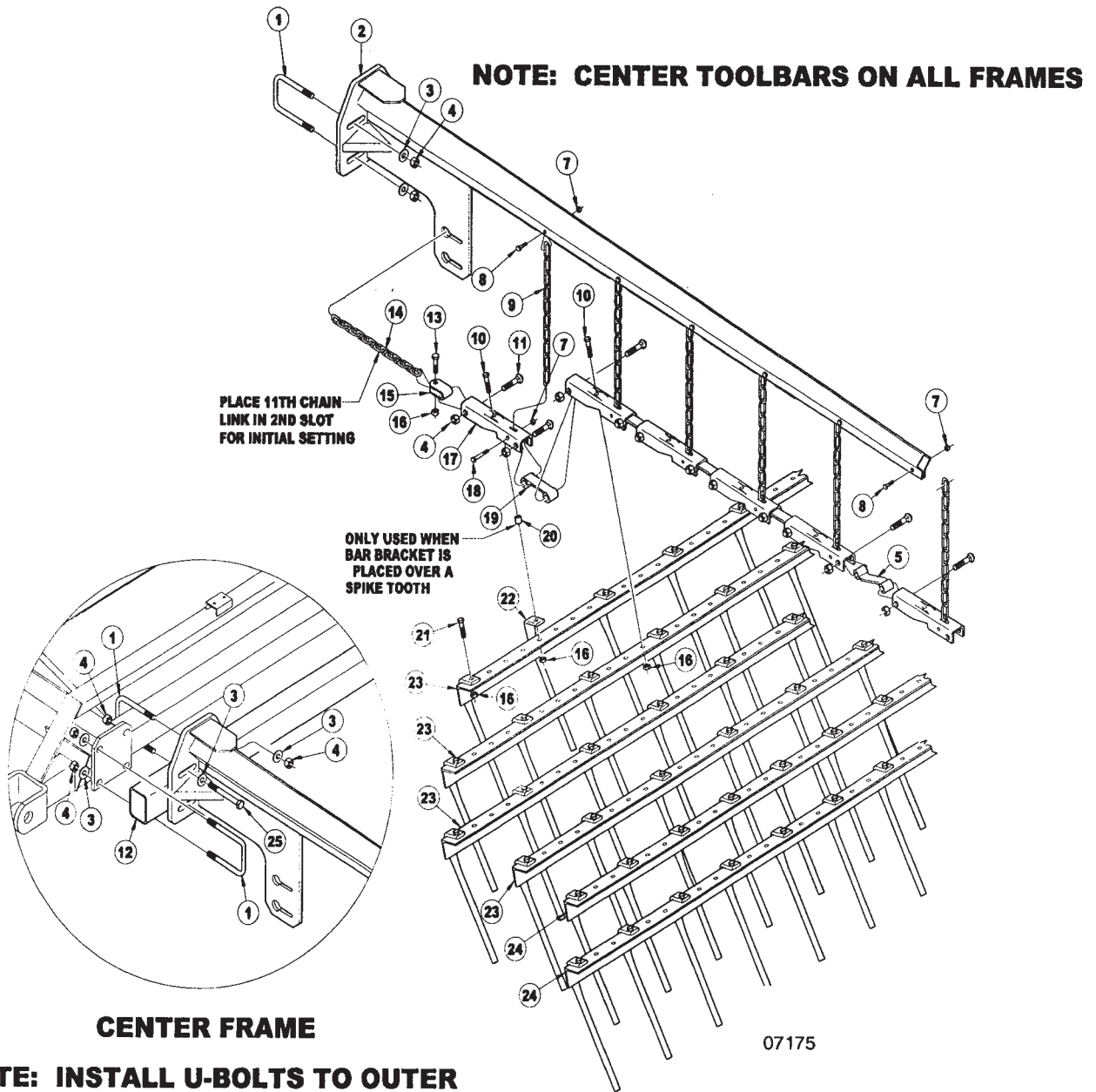
3-ROW SPIKE DRAG & REEL

ITEM	NUMBER	QTY	DESCRIPTION
28	SN10057		REEL, 41 1/4"
	SN10059B		REEL, 56 1/4"
	SN10060		REEL, 63 3/4"
	SN10061		REEL, 71 1/4"
29	SN106		HEX NUT, 3/4"-10 FULL, GR 5, Y/D
30	SN1040		LOCK WASHER, 3/4" SPLIT TYPE MED, Y/D
31	SN3613		FLAT WASHER, 7/8" ID X 2 1/8" OD X 1/4" THICK, Y/D
32	SN3215		FLANGETTE BEARING, 1 3/4" BORE
33	SN1823		HEX BOLT, 1/2"-13 X 1 1/4", GR 5, Y/D
34	SN1599		HEX BOLT, 3/4"-10 X 4", GR 5, Y/D
35	SN9917		BEARING STANDARD
36	SN3644		GANG BAR, 75"
	SN7056R		GANG BAR, 67 1/2"
	SN3643		GANG BAR, 60"
	SN3646		GANG BAR, 105"
37	SN3567		LOCK NUT, 3/8"-16 HEX NYLON INSERT, GR 2, Y/D
38	SN3894		TRI-BEND BOLT, 3/8"-16 X 1 1/2", Y/D
39	SN3895B		SPIKE TOOTH, 3/4" X 11"
40	SN4738		HEX BOLT, 3/8"-16 X 2 3/4", GR 5, Y/D
41	SN10149B		BAR, SPIKE TOOTH 14 1/4' (15 TOOTH)
	SN10154		BAR, SPIKE TOOTH 9 1/4' (10 & 13 TOOTH)
	SN10156		BAR, SPIKE TOOTH 12 1/4' (13 & 17 TOOTH)
42	SN5810		WASHER, 1 5/16" OD X 1 1/16" ID. 149" THICK, HARDENED, Y/D
43	SN7687		HARROW ARM EXTENSION, 12"
44	SN670		HEX BOLT, 5/8"-11 X 2", GR 5, Y/D
45	SN3652		REEL & TINE MOUNT
46	SN2557		HEX BOLT, 5/8"-11 X 4 1/2", GR 5, Y/D
47	SN3306		U-BOLT, 5/8"-11 X 4 1/2" X 4 5/8" W, GR 5, Y/D
48	SN12532R		TOOL BAR, 115"
	SN5633		TOOL BAR, 120"
49	SN2815		U-BOLT, 5/8"-11 X 4 1/2" X 5 11/16"W, GR 5, Y/D
50	SN12562R		TUBE, EXTENSION

I0007514
PR: t05g29n54c0001

6333 LAND FINISHER ATTACHMENTS
6-ROW SPIKE DRAG PARTS SECTION

6-ROW SPIKE DRAG ASSEMBLY



6333 LAND FINISHER ATTACHMENTS
6-ROW SPIKE DRAG PARTS SECTION

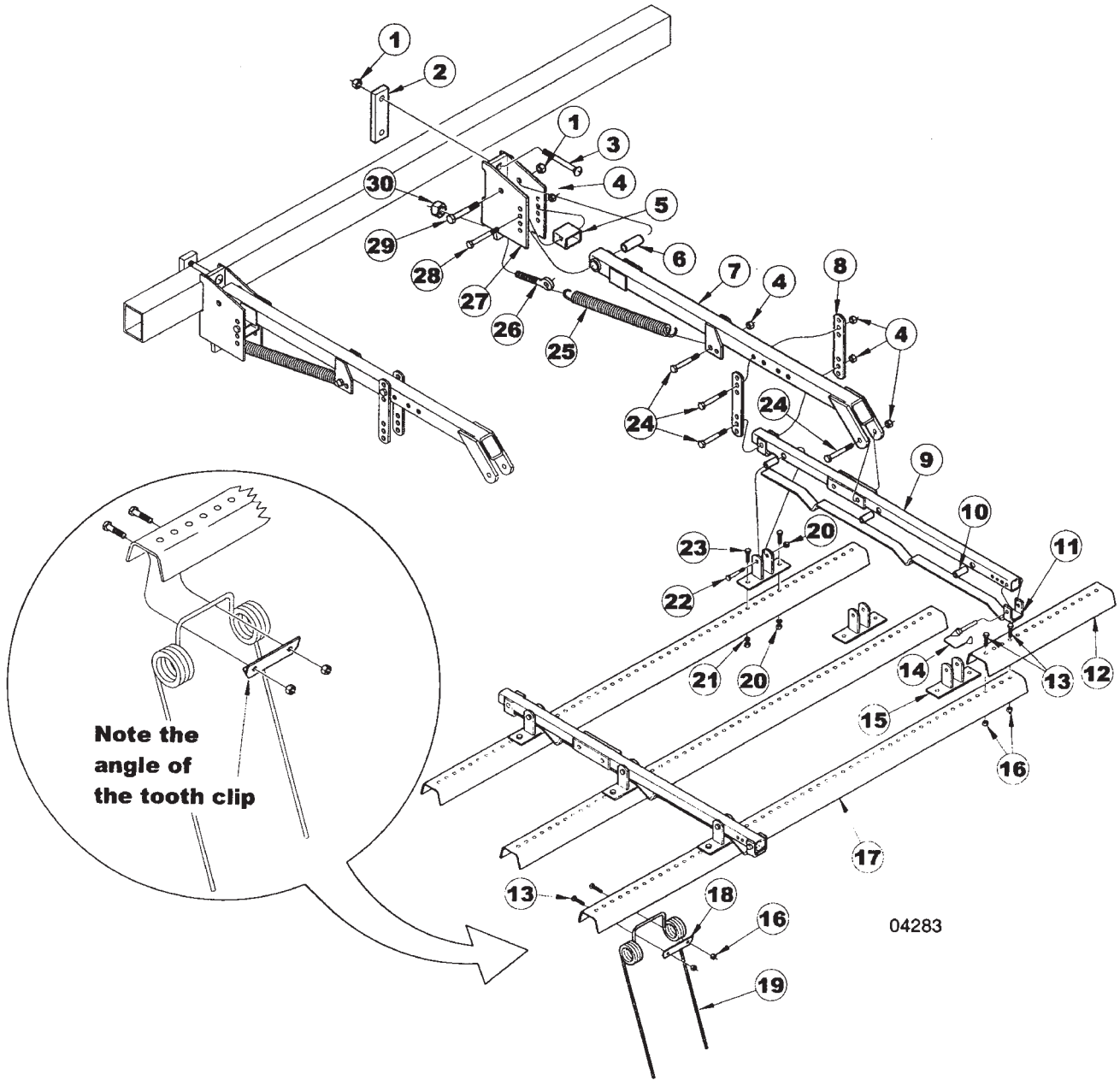
6-ROW SPIKE DRAG ASSEMBLY

ITEM	NUMBER QTY	DESCRIPTION
1	SN3306	U-BOLT, 5/8"-11 X 4 1/2" X 4 5/8" W, GR 5, Y/D
2	SN12342	ARM, SPIKE TOOTH 6 ROW
3	SN5810	WASHER, 1 5/16" OD X 11/16" ID.149" THICK, HARDENED, Y/D
4	SN669-1	LOCK NUT, 5/8" HEX NYLON INSERT, GR 5, Y/D
5	SN12341	LINK, OFFSET
6	SNFK150083	HEX BOLT, 3/8"-16 X 1 3/4" GR 5, Y/D
7	SN3567	LOCK NUT, 3/8"-16 HEX NYLON INSERT, GR 2, Y/D
8	SN3984	HEX BOLT, 3/8"-16 X 1 1/4",GR 5, Y/D
9	SN3982	CHAIN, 7/0 SIDE 10 LINKS
10	SN112	HEX BOLT, 1/2"-13 X 2 1/2", GR 5, Y/D
11	SN3985	CARRIAGE BOLT, 5/8"-11 X 3" GR 5, Y/D SPECIAL
12	SN12340R	TOOL BAR, 143"
13	SN2045	HEX BOLT, 1/2"-13 X 1 3/4", GR5, Y/D
14	SN3983	CHAIN, 5/16" PROOF, 25 LINKS
15	SN7013	U-CLIP
16	SN2096	LOCK NUT, 1/2"-13 HEX NYLON INSERT
17	SN10163	BAR BRACKET
18	SN4738	HEX BOLT, 3/8"-16 X 2 3/4", GR 5,Y/D
19	SN3976	LINK, OFFSET
20	SN10162	BUSHING,.750" OD X.500" ID, 11/16"L
21	SN1823	HEX BOLT, 1/2"-13 X 1 1/4",GR 5, Y/D
22	SN10161	TOOTH, SPIKE 3/4" ROUND
23	SN10146B	BAR, SPIKE TOOTH 5 1/4' (6 TOOTH)
	SN10152	BAR, SPIKE TOOTH 6 1/4'(7 & 9 TOOTH)
	SN12345B	BAR, SPIKE TOOTH 5 1/2' (8 TOOTH)
	SN10154	BAR, SPIKE TOOTH 9 1/4' (10 & 13 TOOTH)
	SN10155	BAR, SPIKE TOOTH 10 1/4' (11 TOOTH)
	SN10646B	BAR, SPIKE TOOTH 13 1/4' (14 TOOTH)
	SN10148B	BAR, SPIKE TOOTH 11 1/4' (12 TOOTH)
24	SN12533	BAR, SPIKE TOOTH 10' (14 TOOTH)
	SN12534	BAR, SPIKE TOOTH 10 3/4' (15 TOOTH)
	SN12344	BAR, SPIKE TOOTH 13 3/4' (19 TOOTH)
	SN12542B	BAR, SPIKE TOOTH 11 1/2' (16 TOOTH)
25	SN2097	HEX BOLT, 5/8"-11 X 5 1/2",GR 5, Y/D

I0007175
PR: t05g29n54c0002

6333 LAND FINISHER ATTACHMENTS
3-ROW COIL TINE & REEL PARTS

3-ROW COIL TINE



04283

6333 LAND FINISHER ATTACHMENTS
3-ROW COIL TINE & REEL PARTS

13

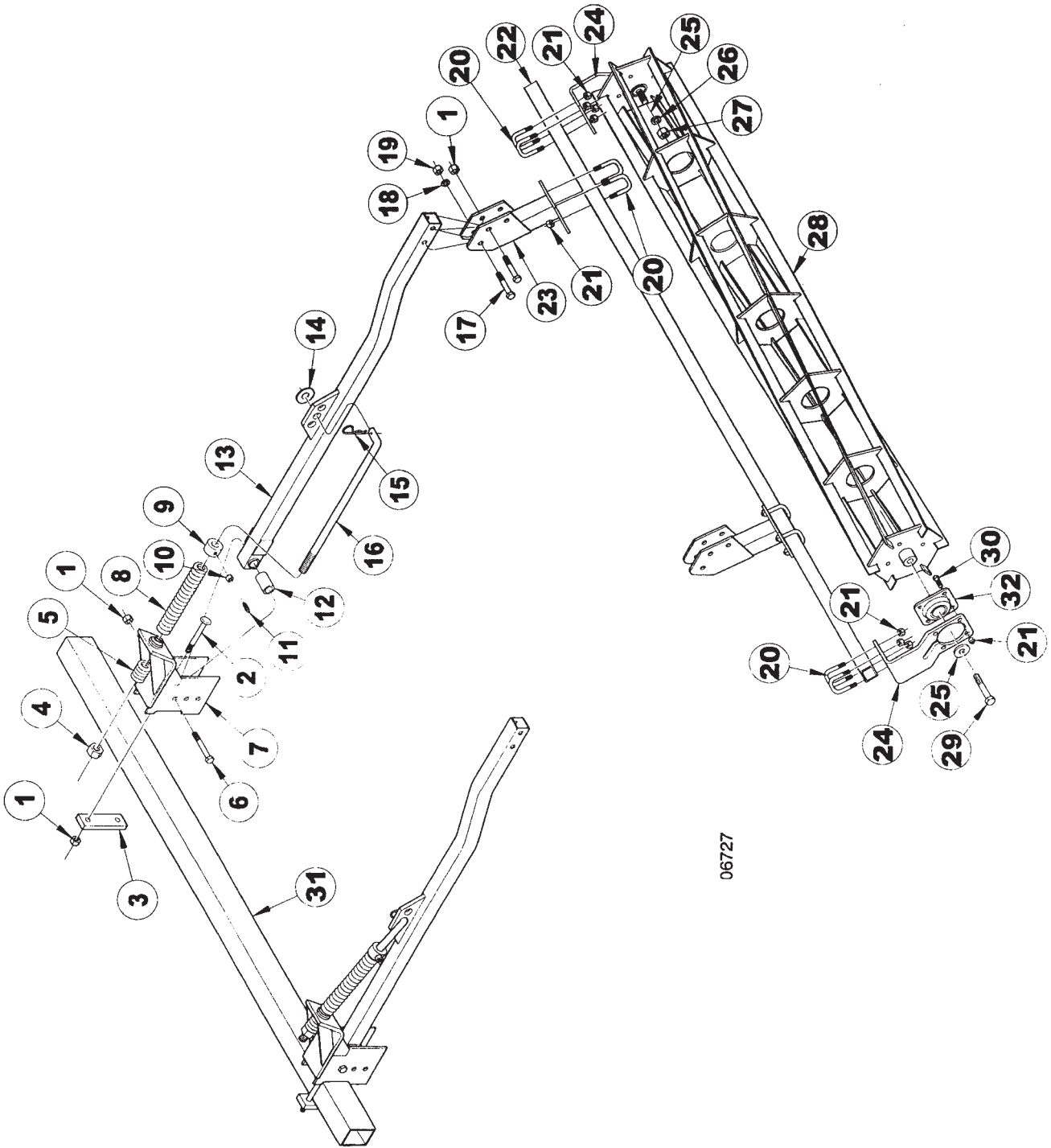
3-ROW COIL TINE

ITEM	NUMBER QTY	DESCRIPTION
1	SN669-1	LOCK NUT, 5/8" HEX NYLON
2	SN3647	CLAMP PLATE, 2 HOLE
3	SN3569	CARRIAGE BOLT, 5/8"-11 X
4	SN2096	LOCK NUT, 1/2"-13 HEX NYLON INSERT
5	SN3629	STOP
6	SN3635	PIVOT BUSHING
7	SN5890	TINE CARRIER ARM, DOUBLE, LONG
	SN5722R	TINE CARRIER ARM, DOUBLE
8	SN5727	ANGLE LINK
9	SN7908	HARROW SUBFRAME, 3 ROW (15" ROW SP)
	SN5729	HARROW SUBFRAME, 3 ROW
10	SN5730	PIVOT BUSHING
11	SN7907	TINE ANGLE ADJUSTMENT STOP (15" ROW SP)
	SN5724	TINE ANGLE ADJUSTMENT STOP
12	SN3859	HARROW CONNECTOR
13	SN175	HEX BOLT, 3/8"-16 X 1 1/2", GR 5, Z/P
14	SN3557	QUICK PIN, 3/8" DIA X 2 1/2"
15	SN5723	TINE BAR PIVOT
16	SN3567	LOCK NUT, 3/8"-16 HEX NYLON INSERT, GR 2, Z/P
17	SN3609	TINE CHANNEL, 52 1/2"
	SN3610	TINE CHANNEL, 67 1/2"
	SN3611	TINE CHANNEL, 82 1/2"
	SN3612	TINE CHANNEL, 97 1/2"
18	SN3621	TOOTH CLIP
19	SN5715	HARROW TOOTH, 3/8" DIA X 16" L
20	SN3566	LOCK NUT, 3/8"-16 HEX CENTER, GR 2, Z/P
21	SN317	FLAT WASHER, 3/8", Z/P
22	SN4738	HEX BOLT, 3/8"-16 X 2 3/4", GR 5, Z/P
23	SN178	HEX BOLT, 3/8"-16 X 1", GR 5, Z/P
24	SN1507	HEX BOLT, 1/2"-13 X 3 1/2", GR 5, Z/P
25	SN5732	SPRING, 1.40" OD X .82" ID X 16 1/4" L
26	SN5731	EYE BOLT, 3/4"-10 X 4 1/2"
27	SN5719	HARROW MOUNT, 4" FRAME, 2 1/2" W
28	SN3371	HEX BOLT, 1/2"-13 X 4", GR 5, Z/P
29	SN3065	HEX BOLT, 5/8"-11 X 4", GR 5, Z/P
30	SNHEN3410	LOCK NUT, 3/4" HEX NYLON

I0004283
PR: t05g29n54c0003

6333 LAND FINISHER ATTACHMENTS
3-ROW COIL TINE & REEL PARTS

REEL ASSEMBLY



06727

**6333 LAND FINISHER ATTACHMENTS
3-ROW COIL TINE & REEL PARTS**

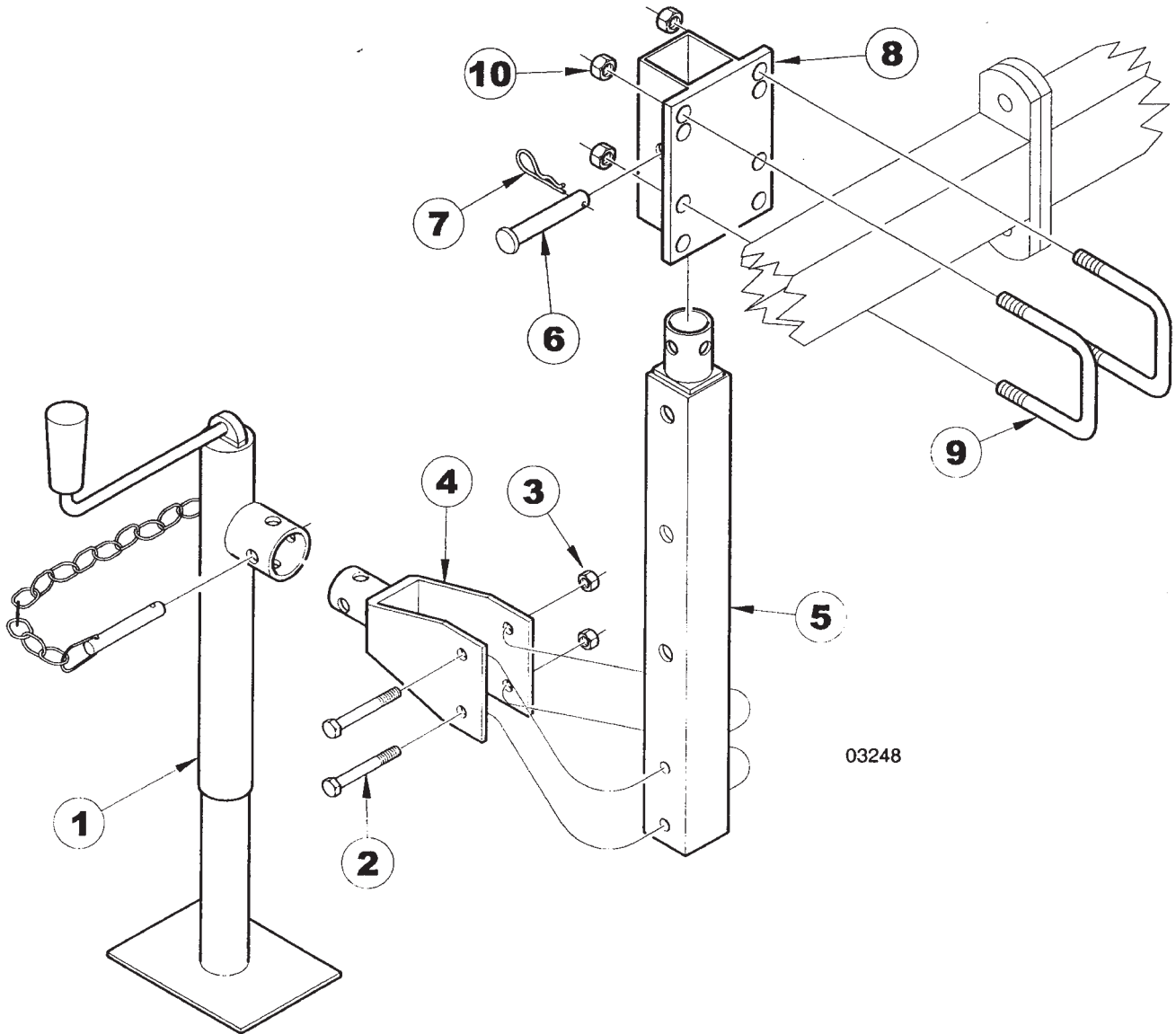
15

REEL ASSEMBLY

ITEM	NUMBER	QTY	DESCRIPTION
1	SN669-1		LOCK NUT, 5/8" HEX NYLON
2	SN3569		CARRIAGE BOLT, 5/8"-11 X
3	SN3647		CLAMP PLATE, 2 HOLE
4	SN3938		LOCK NUT, 1"-8 HEX NYLON
5	SNFK361002		SPRING, 1.8125" OD X 1.062"ID,2 5/8" L
6	SN3065		HEX BOLT, 5/8"-11 X 4", GR 5, Z/P
7	SN5737		MOUNTING BRACKET, REEL
8	SNFK361003		ADJUSTING ROD SPRING-LOWER
9	SNFK351023		LOCK COLLAR, ADJUSTING ROD
10	SN159		JAM NUT, 1/2"-13, GR 2, Z/P
11	SN2078		SET SCREW, 1/2" X 1" SQUARE HEAD, Z/P
12	SN3635		PIVOT BUSHING
13	SN5736		REEL CARRIER ARM
14	SNFK150173		FLAT WASHER, 1" SAE, Z/P
15	SN71L-2901		PIN CLIP, 3/4"-7/8" SHAFT,.148" DIA, 3 1/8" L
16	SNFK501164		ROD, HARROW ADJ.
17	SN1723		HEX BOLT, 5/8"-11 X 3 1/2", GR 5, Z/P
18	SN668		LOCK WASHER, 5/8" SPLIT TYPE MED, Z/P
19	SN669		HEX NUT, 5/8" FULL, GR 5, Z/P
20	SN3619		U-BOLT, 1/2"-13 X 3 5/8" X 3" W, GR 5, Z/P
21	SN2096		LOCK NUT, 1/2"-13 HEX NYLON INSERT
22	SN3643		GANG BAR, 60"
	SN3644		GANG BAR, 75"
	SN3645		GANG BAR, 90"
	SN3646		GANG BAR, 105"
23	SN5738		REEL FOLD ARM
24	SN9917		BEARING STANDARD
25	SN3613		FLAT WASHER, 7/8" ID X 2 1/8" OD X 1/4" THICK, Z/P
26	SN1040		LOCK WASHER, 3/4" SPLIT TYPE MED, Z/P
27	SN106		HEX NUT, 3/4"-10 FULL, GR 5, Z/P
28	SN10057		REEL, 41 1/4"
	SN10059B		REEL, 56 1/4"
	SN10060		L, 63 3/4"
	SN10061		REEL, 71 1/4"
29	SN1599		HEX BOLT, 3/4"-10 X 4", GR 5, Y/D
30	SN194		HEX BOLT, 1/2"-13 X 1 1/2",GR 5, Y/D,USA
31	SN5576		TOOL BAR, 82 1/2"
	SN12567R		TOOL BAR, 90 1/2"
	SN5633		TOOL BAR, 120"
	SN12532		TOOL BAR, 115"
32	SN3215		FLANGETTE BEARING, 1 3/4" BORE
33	SN670		HEX BOLT, 5/8"-11 X 2", GR 5, Y/D
34	SN5887		MOUNTING BRACKET, REEL
35	SN2089		FLAT WASHER, 5/8", Y/D
36	SN3306		U-BOLT, 5/8"-11 X 4 1/2" X 4 5/8" W, GR 5, Y/D

I0006727
PR: t05g29n54c0004

REAR JACK ASSEMBLY



03248

6333 LAND FINISHER ATTACHMENTS
3-ROW COIL TINE & REEL PARTS

17

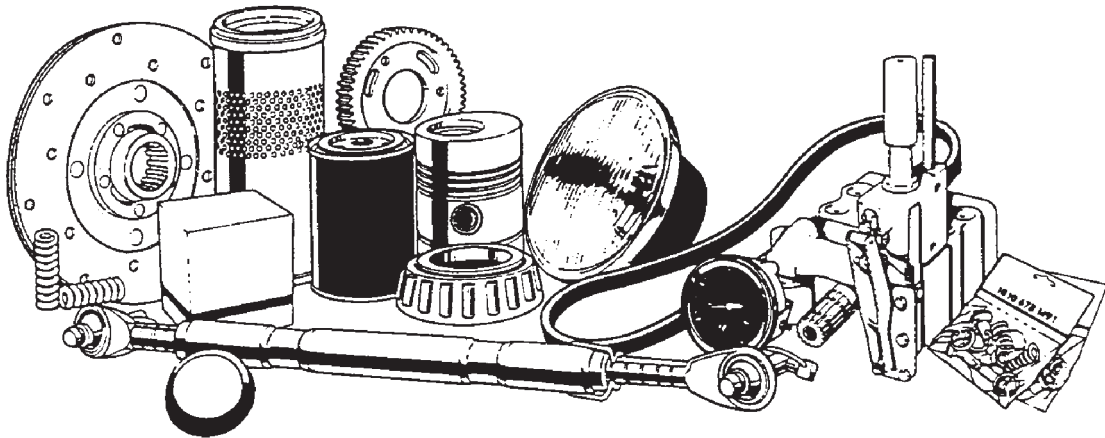
REAR JACK ASSEMBLY

ITEM	NUMBER	QTY	DESCRIPTION
1	SN9777		LONG TONGUE JACK, SQ W/TUBE MOUNT
2	SN3371		HEX BOLT, 1/2"-13 X 4", GR 5, Z/P
3	SN2096		LOCK NUT, 1/2"-13 HEX NYLON INSERT
4	SN3355		JACK BRACKET
5	SN3354		JACK TUBE
6	SN2094		PIN, 3/4" X 4 1/2" (4"), Z/P
7	SN2867		PIN CLIP, 1/2"-5/8" SHAFT, .120" DIA, 2" L
8	SN3353		JACK ADAPTER PLATE
9	SN3306		U-BOLT, 5/8"-11 X 4 1/2" X 4 5/8" W, GR 5, Z/P
10	SN669-1		LOCK NUT, 5/8" HEX NYLON INSERT, GR 5, Z/P
	SN3352		REAR JACK MOUNT ASSEMBLY, LESS U-BOLTS & JACK (ITEMS 2-8)

I0003248
PR: t05g29n54c0005

RECOMMENDED DEALER STOCK

RECOMMENDED DEALER'S STOCK



**6333 LAND FINISHER ATTACHMENTS
RECOMMENDED DEALER LIST**

19

RECOMMENDED DEALER STOCK

ITEM	NUMBER	QTY	DESCRIPTION
-	SNFK361003	2	ADJUSTING ROD SPRING-LOWER
-	SN10162	2	BUSHING,.750" OD X.500" ID, 11/16"L
-	SN5731	2	EYE BOLT, 3/4"-10 X 4 1/2"
-	SN3215	2	FLANGETTE BEARING, 1 3/4" BORE
-	SN5715	8	HARROW TOOTH, 3/8" DIA X 16" L
-	SN12341	2	LINK, OFFSET
-	SN3976	2	LINK, OFFSET
-	SN3635	2	PIVOT BUSHING
-	SN3895B	5	SPIKE TOOTH, 3/4" X 11"
-	SN3335	2	SPRING
-	SN5732	2	SPRING, 1.40" OD X .82" ID X 16 1/4" L
-	SNFK361002	2	SPRING, 1.8125" OD X 1.062"ID,2 5/8" L
-	SN3621	8	TOOTH CLIP
-	SN10161	8	TOOTH, SPIKE 3/4" ROUND
-	SN3894	5	TRI-BEND BOLT, 3/8"-16 X 1 1/2", Y/D
-	SN3619	1	U-BOLT, 1/2"-13 X 3 5/8" X 3" W, GR 5,
-	SN3306	1	U-BOLT, 5/8"-11 X 4 1/2" X 4 5/8" W,
-	SN2815	1	U-BOLT, 5/8"-11 X 4 1/2" X 5 11/16"W,
-	SN7013	1	U-CLIP

NOTE: THIS PARTS STOCK LIST
INDICATES THOSE ITEMS RECOMMENDED
TO SERVICE ONE UNIT.

RDL
PR: t05g29n54c0006

CULTIVATORS/PACKERS

PARTS CATALOG

**SUNFLOWER®
6433 SPLIT WING LAND FINISHER**

RECOMMENDED DEALER LIST

RECOMMENDED DEALER STOCK 71

SERVICE PARTS

CENTER FRAME ASSEMBLY 7
CENTER LIFT ASSEMBLY 15
DECAL PLACEMENT 67
DISC GANG ASSEMBLY 47
DISC GANG REEL ASSEMBLY 59
EIGHT BOLT HUB & SPINDLE ASSEMBLY W/WHEEL & TIRES 21
FOLD HYDRAULICS 33
HYDRAULIC DISC GANG ASSEMBLY 45
HYDRAULIC DISC GANG HYDRAULICS ASSEMBLY 51
INNER WING FRAME 9
LEVELER TUBE ASSEMBLY 23
LIFT HYDRAULICS 27
LIGHT KIT ASSEMBLY 61
OPTIONAL REAR TOW HITCH HYDRAULICS 65
OPTIONAL REAR TOW HITCH W/HITCH SLIDE & BALL JOINT 63
OUTER WING FRAME 11
S-TINE SHANK ASSEMBLY (2 PIECE) 41
SAFETY SIGN PLACEMENT 69
SCRAPER ASSEMBLY 49
SIX BOLT HUB & SPINDLE ASSEMBLY W/WHEEL & TIRES 19
SPRING SHANK ASSEMBLY 39
STANDARD GANG BAR MOUNT ASSEMBLY 43
STROKE CONTROL TUBE 25
TONGUE ASSEMBLY 13
WING LIFT ASSEMBLY 17
3 1/2" X 24" HYDRAULIC CYLINDER 12020R 37
3 1/2" X 8" HYDRAULIC CYLINDER 12061R 57
3 3/4" X 10" HYDRAULIC CYLINDER 10815R 31
3 3/4" X 8" HYDRAULIC CYLINDER 12059R 53
4" X 10" HYDRAULIC CYLINDER 10814R 29
4" X 30" HYDRAULIC CYLINDER 10812R 35
4" X 8" HYDRAULIC CYLINDER 12047R 55

6433 SPLIT WING LAND FINISHER

3
INDEX

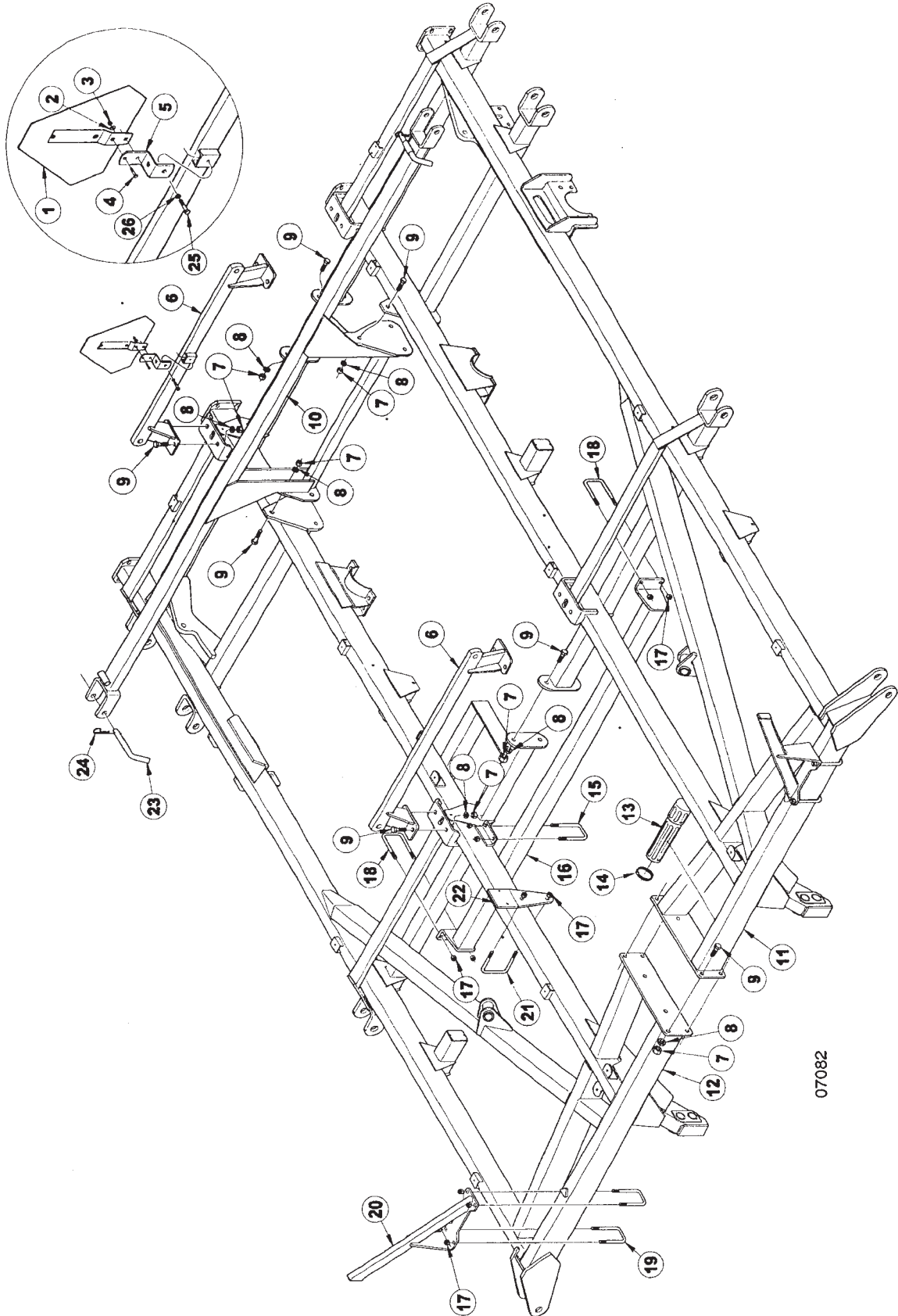
Part No.	Page	Grid	Part No.	Page	Grid	Part No.	Page	Grid	Part No.	Page	Grid
SNCS516312	33	1-B 9	SN10740	65	1-B 12	SN12277R	11	1-B 7	SN176	7	1-B 6
SNFK150144	13	1-B 7	SN10741	65	1-B 12	SN12278R	7	1-B 6	SN176	33	1-B 9
SNFK150144	23	1-B 8	SN10742	65	1-B 12	SN12279R	17	1-B 7	SN176	51	1-B 11
SNFK150157	13	1-B 7	SN108	13	1-B 7	SN12280R	23	1-B 8	SN1813	45	1-B 10
SNFK150157	23	1-B 8	SN108	47	1-B 10	SN12281R	13	1-B 7	SN1817	25	1-B 8
SNFK150172	13	1-B 7	SN10812	33	1-B 9	SN12282R	11	1-B 7	SN1823	65	1-B 12
SNFK150172	23	1-B 8	SN10814	27	1-B 8	SN12283R	9	1-B 6	SN1849	13	1-B 7
SNFK150283	45	1-B 10	SN10815	27	1-B 8	SN12284R	25	1-B 8	SN1849	23	1-B 8
SNFK310062	21	1-B 8	SN10820	39	1-B 9	SN12285	17	1-B 7	SN1849	43	1-B 10
SNFK310062	71	1-B 13	SN10837	27	1-B 8	SN12286R	7	1-B 6	SN1849	45	1-B 10
SNFK310063	21	1-B 8	SN109	13	1-B 7	SN12287R	7	1-B 6	SN1875	23	1-B 8
SNFK310063	71	1-B 13	SN113	21	1-B 8	SN12288R	7	1-B 6	SN1880	23	1-B 8
SNFK310064	21	1-B 8	SN114	21	1-B 8	SN12289R	25	1-B 8	SN1935	19	1-B 7
SNFK310064	71	1-B 13	SN12015	37	1-B 9	SN12290R	25	1-B 8	SN1935	21	1-B 8
SNFK340162	21	1-B 8	SN12015	71	1-B 13	SN12291	13	1-B 7	SN1935	71	1-B 13
SNFK340162	71	1-B 13	SN12016	37	1-B 9	SN12292	13	1-B 7	SN1936	19	1-B 7
SNFK340163	21	1-B 8	SN12017	37	1-B 9	SN12293R	13	1-B 7	SN1936	21	1-B 8
SNFK340165	21	1-B 8	SN12018	37	1-B 9	SN12294R	11	1-B 7	SN1936	71	1-B 13
SNFK340165	71	1-B 13	SN12019	37	1-B 9	SN12295R	25	1-B 8	SN1937	19	1-B 7
SNFK340167	21	1-B 8	SN12020	33	1-B 9	SN12296R	7	1-B 6	SN1937	71	1-B 13
SNFK340167	71	1-B 13	SN12033	53	1-B 11	SN12297	61	1-B 12	SN194	47	1-B 10
SNFK340168	21	1-B 8	SN12033	55	1-B 11	SN12298R	7	1-B 6	SN194	59	1-B 11
SNFK340168	71	1-B 13	SN12047	51	1-B 11	SN12299R	7	1-B 6	SN1944	19	1-B 7
SNFK350402	13	1-B 7	SN12055	53	1-B 11	SN12301R	15	1-B 7	SN1978	11	1-B 7
SNFK361002	59	1-B 11	SN12055	55	1-B 11	SN12302R	17	1-B 7	SN1978	17	1-B 7
SNFK361002	71	1-B 13	SN12059	51	1-B 11	SN12303R	17	1-B 7	SN1978	45	1-B 10
SNFK800384	21	1-B 8	SN12061	51	1-B 11	SN12304R	7	1-B 6	SN198	63	1-B 12
SNFK800384	71	1-B 13	SN12062	57	1-B 11	SN12305	11	1-B 7	SN198	71	1-B 13
SNHEN3410	59	1-B 11	SN12063	57	1-B 11	SN12306R	9	1-B 6	SN2036	47	1-B 10
SNRT015003	25	1-B 8	SN12064	57	1-B 11	SN12307R	9	1-B 6	SN2037	47	1-B 10
SNYYC-186	13	1-B 7	SN1220	7	1-B 6	SN12308R	11	1-B 7	SN2088	13	1-B 7
SNZK142890	45	1-B 10	SN1220	9	1-B 6	SN12309R	11	1-B 7	SN2096	25	1-B 8
SN10007	61	1-B 12	SN1220	11	1-B 7	SN12315R	13	1-B 7	SN2097	39	1-B 9
SN10012	13	1-B 7	SN1220	15	1-B 7	SN12328	45	1-B 10	SN2098-1	23	1-B 8
SN10012	61	1-B 12	SN1220	17	1-B 7	SN12329	45	1-B 10	SN2098-5	15	1-B 7
SN10012	71	1-B 13	SN1220	45	1-B 10	SN12330R	45	1-B 10	SN2098-6	19	1-B 7
SN10057	59	1-B 11	SN1220	63	1-B 12	SN12338	61	1-B 12	SN2132	47	1-B 10
SN10058	59	1-B 11	SN12231	39	1-B 9	SN12339R	61	1-B 12	SN2339	13	1-B 7
SN10059B	59	1-B 11	SN12231	71	1-B 13	SN12347	45	1-B 10	SN2425	33	1-B 9
SN10061	59	1-B 11	SN12246R	43	1-B 10	SN12349	25	1-B 8	SN2425	51	1-B 11
SN10062	7	1-B 6	SN12246R	45	1-B 10	SN12375	41	1-B 10	SN2425	65	1-B 12
SN1021	59	1-B 11	SN12247R	43	1-B 10	SN1243	25	1-B 8	SN2426	27	1-B 8
SN1036	7	1-B 6	SN12247R	45	1-B 10	SN12481R	61	1-B 12	SN2429	33	1-B 9
SN10394	61	1-B 12	SN12248R	43	1-B 10	SN12482R	61	1-B 12	SN2429	51	1-B 11
SN10394	71	1-B 13	SN12248R	45	1-B 10	SN12609R	65	1-B 12	SN245	9	1-B 6
SN1040	7	1-B 6	SN12249R	43	1-B 10	SN12610R	63	1-B 12	SN245	11	1-B 7
SN1040	9	1-B 6	SN12249R	45	1-B 10	SN12611R	63	1-B 12	SN245	15	1-B 7
SN1040	11	1-B 7	SN12250R	43	1-B 10	SN12614R	63	1-B 12	SN245	17	1-B 7
SN1040	15	1-B 7	SN12250R	45	1-B 10	SN12615R	63	1-B 12	SN245	33	1-B 9
SN1040	17	1-B 7	SN12251R	43	1-B 10	SN1283	13	1-B 7	SN245	43	1-B 10
SN1040	45	1-B 10	SN12251R	45	1-B 10	SN1283	23	1-B 8	SN2487	27	1-B 8
SN1040	47	1-B 10	SN12252R	43	1-B 10	SN140	21	1-B 8	SN2487	33	1-B 9
SN1040	59	1-B 11	SN12252R	45	1-B 10	SN140	25	1-B 8	SN2487	51	1-B 11
SN1040	63	1-B 12	SN12256	39	1-B 9	SN140	59	1-B 11	SN2528-1	47	1-B 10
SN10445	61	1-B 12	SN12257	41	1-B 10	SN155	17	1-B 7	SN2558	43	1-B 10
SN10460	61	1-B 12	SN12257	71	1-B 13	SN155	43	1-B 10	SN2558	45	1-B 10
SN10460	71	1-B 13	SN12258R	43	1-B 10	SN155	45	1-B 10	SN2563	47	1-B 10
SN10461	61	1-B 12	SN12258R	45	1-B 10	SN156	39	1-B 9	SN2563	71	1-B 13
SN10461	71	1-B 13	SN12259R	43	1-B 10	SN1599	59	1-B 11	SN2568	7	1-B 6
SN10486	61	1-B 12	SN12259R	45	1-B 10	SN1605	19	1-B 7	SN2568	13	1-B 7
SN10486	71	1-B 13	SN12260R	59	1-B 11	SN1605	71	1-B 13	SN2568	61	1-B 12
SN105	63	1-B 12	SN12261R	45	1-B 10	SN1606	19	1-B 7	SN2568	63	1-B 12
SN106	7	1-B 6	SN12262R	45	1-B 10	SN1606	71	1-B 13	SN2570	43	1-B 10
SN106	9	1-B 6	SN12263R	45	1-B 10	SN1609	13	1-B 7	SN2570	45	1-B 10
SN106	11	1-B 7	SN12264R	45	1-B 10	SN1609	21	1-B 8	SN2585	19	1-B 7
SN106	15	1-B 7	SN12265R	45	1-B 10	SN1609	43	1-B 10	SN2587	33	1-B 9
SN106	17	1-B 7	SN12266	45	1-B 10	SN1609	45	1-B 10	SN2587	61	1-B 12
SN106	45	1-B 10	SN12267R	13	1-B 7	SN1609	63	1-B 12	SN2587	65	1-B 12
SN106	47	1-B 10	SN12268	9	1-B 6	SN1610	19	1-B 7	SN2723B	47	1-B 10
SN106	59	1-B 11	SN12271R	17	1-B 7	SN1610	71	1-B 13	SN2750	61	1-B 12
SN106	63	1-B 12	SN12272	11	1-B 7	SN173	65	1-B 12	SN2755	23	1-B 8
SN10603	39	1-B 9	SN12273R	11	1-B 7	SN175	7	1-B 6	SN2815	11	1-B 7
SN10604	39	1-B 9	SN12274R	23	1-B 8	SN175	33	1-B 9	SN2815	59	1-B 11
SN10738	65	1-B 12	SN12275R	23	1-B 8	SN175	51	1-B 11	SN2815	63	1-B 12
SN10739	65	1-B 12	SN12276R	17	1-B 7	SN175	65	1-B 12	SN2816	47	1-B 10

INDEX

Part No.	Page	Grid	Part No.	Page	Grid	Part No.	Page	Grid	Part No.	Page	Grid
SN2866	47	1-B 10	SN3306	63	1-B 12	SN4098002	33	1-B 9	SN5558	47	1-B 10
SN2992	15	1-B 7	SN3330	17	1-B 7	SN4102002	51	1-B 11	SN5578	21	1-B 8
SN2992	17	1-B 7	SN3331	17	1-B 7	SN4109002	51	1-B 11	SN5579	21	1-B 8
SN3004	47	1-B 10	SN3333	43	1-B 10	SN4113002	33	1-B 9	SN5603	21	1-B 8
SN302	19	1-B 7	SN3333	45	1-B 10	SN4118002	33	1-B 9	SN5605	11	1-B 7
SN302	39	1-B 9	SN3334	43	1-B 10	SN4132002	33	1-B 9	SN5613	13	1-B 7
SN302	41	1-B 10	SN3335	43	1-B 10	SN4176002	51	1-B 11	SN5621	21	1-B 8
SN303	19	1-B 7	SN3335	45	1-B 10	SN4210005	27	1-B 8	SN5622	15	1-B 7
SN303	39	1-B 9	SN3335	71	1-B 13	SN4215002	51	1-B 11	SN5711	39	1-B 9
SN303	41	1-B 10	SN3336	43	1-B 10	SN4232002	33	1-B 9	SN5810	39	1-B 9
SN3041	39	1-B 9	SN3337	43	1-B 10	SN4236005	27	1-B 8	SN5810	63	1-B 12
SN3042	39	1-B 9	SN3356	7	1-B 6	SN4260002	51	1-B 11	SN5942	45	1-B 10
SN3043	39	1-B 9	SN3363	63	1-B 12	SN4279005	27	1-B 8	SN6378	25	1-B 8
SN3044B	39	1-B 9	SN3364	63	1-B 12	SN4348005	27	1-B 8	SN6378	33	1-B 9
SN3044B	71	1-B 13	SN3365	63	1-B 12	SN4454	27	1-B 8	SN6380	33	1-B 9
SN3048	39	1-B 9	SN3365	71	1-B 13	SN4454	33	1-B 9	SN640188O	27	1-B 8
SN3048	41	1-B 10	SN3366	63	1-B 12	SN4455	33	1-B 9	SN6575	13	1-B 7
SN3048	71	1-B 13	SN3366	71	1-B 13	SN4455	51	1-B 11	SN6642	39	1-B 9
SN305	39	1-B 9	SN3367	63	1-B 12	SN4457	27	1-B 8	SN669-1	7	1-B 6
SN305	41	1-B 10	SN3370	43	1-B 10	SN4458	27	1-B 8	SN669-1	11	1-B 7
SN3050	39	1-B 9	SN3370	45	1-B 10	SN4458	29	1-B 8	SN669-1	25	1-B 8
SN3050	41	1-B 10	SN3371	25	1-B 8	SN4458	31	1-B 9	SN669-1	39	1-B 9
SN3061	15	1-B 7	SN3451	51	1-B 11	SN4458	35	1-B 9	SN669-1	41	1-B 10
SN3061	17	1-B 7	SN3565	33	1-B 9	SN4458	37	1-B 9	SN669-1	43	1-B 10
SN3061	71	1-B 13	SN3565	51	1-B 11	SN4458	53	1-B 11	SN669-1	45	1-B 10
SN3062	15	1-B 7	SN3567	13	1-B 7	SN4458	55	1-B 11	SN669-1	59	1-B 11
SN3062	17	1-B 7	SN3567	27	1-B 8	SN4458	57	1-B 11	SN669-1	61	1-B 12
SN3062	71	1-B 13	SN3567	33	1-B 9	SN4460	27	1-B 8	SN669-1	63	1-B 12
SN3063	15	1-B 7	SN3577	19	1-B 7	SN4462	27	1-B 8	SN670	11	1-B 7
SN3063	17	1-B 7	SN3577	21	1-B 8	SN4463	33	1-B 9	SN670	45	1-B 10
SN3063	71	1-B 13	SN3582	19	1-B 7	SN4464	27	1-B 8	SN670	61	1-B 12
SN3066	15	1-B 7	SN3588	19	1-B 7	SN4473	33	1-B 9	SN6879	13	1-B 7
SN3066	17	1-B 7	SN3613	59	1-B 11	SN4474	33	1-B 9	SN6923R	13	1-B 7
SN3066	19	1-B 7	SN3619	59	1-B 11	SN4482	33	1-B 9	SN6930	25	1-B 8
SN3107	47	1-B 10	SN3643	59	1-B 11	SN4484	27	1-B 8	SN6934	33	1-B 9
SN3117	19	1-B 7	SN3644	59	1-B 11	SN4500002	65	1-B 12	SN7001	7	1-B 6
SN3117	71	1-B 13	SN3655	7	1-B 6	SN4623	45	1-B 10	SN7001	63	1-B 12
SN3118	19	1-B 7	SN3655	71	1-B 13	SN4661N	47	1-B 10	SN7001	71	1-B 13
SN3118	71	1-B 13	SN3669	15	1-B 7	SN4662N	47	1-B 10	SN7048	59	1-B 11
SN3161	45	1-B 10	SN3750	7	1-B 6	SN4732	25	1-B 8	SN7048	71	1-B 13
SN3164	11	1-B 7	SN3757	39	1-B 9	SN4740	63	1-B 12	SN7049	59	1-B 11
SN3164	27	1-B 8	SN3765	7	1-B 6	SN4753	13	1-B 7	SN7051	59	1-B 11
SN3164	33	1-B 9	SN3790	39	1-B 9	SN4753	23	1-B 8	SN7052	59	1-B 11
SN3164	45	1-B 10	SN3880	45	1-B 10	SN4781	13	1-B 7	SN7053	7	1-B 6
SN3164	51	1-B 11	SN3881	7	1-B 6	SN486	25	1-B 8	SN7053	25	1-B 8
SN3164	59	1-B 11	SN3881	13	1-B 7	SN486	61	1-B 12	SN7053	59	1-B 11
SN3195	49	1-B 10	SN3881	25	1-B 8	SN4886	47	1-B 10	SN7053	63	1-B 12
SN3196	49	1-B 10	SN3881	45	1-B 10	SN4886	71	1-B 13	SN7325	15	1-B 7
SN3199	43	1-B 10	SN3881	61	1-B 12	SN4944	25	1-B 8	SN7325	17	1-B 7
SN3199	45	1-B 10	SN3881	63	1-B 12	SN506	7	1-B 6	SN7329	15	1-B 7
SN3199	49	1-B 10	SN3938	9	1-B 6	SN506	13	1-B 7	SN7453	41	1-B 10
SN3207	43	1-B 10	SN3938	11	1-B 7	SN506	61	1-B 12	SN7453	71	1-B 13
SN3207	45	1-B 10	SN3938	13	1-B 7	SN506	63	1-B 12	SN7469	45	1-B 10
SN3208	43	1-B 10	SN3938	17	1-B 7	SN5251	33	1-B 9	SN7528B	41	1-B 10
SN3208	45	1-B 10	SN3938	43	1-B 10	SN5252	33	1-B 9	SN7530	41	1-B 10
SN3215	47	1-B 10	SN3938	45	1-B 10	SN5302	27	1-B 8	SN7585	59	1-B 11
SN3215	59	1-B 11	SN3942	47	1-B 10	SN5302	33	1-B 9	SN7785R	9	1-B 6
SN3215	71	1-B 13	SN3945	47	1-B 10	SN5302	51	1-B 11	SN7870	15	1-B 7
SN3253	27	1-B 8	SN3949	39	1-B 9	SN5302	65	1-B 12	SN7905	27	1-B 8
SN3253	33	1-B 9	SN4018002	33	1-B 9	SN5339	27	1-B 8	SN7905	71	1-B 13
SN3253	51	1-B 11	SN4020005	27	1-B 8	SN5339	33	1-B 9	SN7999	23	1-B 8
SN3253	65	1-B 12	SN4021002	33	1-B 9	SN5339	51	1-B 11	SN8273-1	35	1-B 9
SN3283N	47	1-B 10	SN4023002	33	1-B 9	SN5342	11	1-B 7	SN8602-1	35	1-B 9
SN329	41	1-B 10	SN4026002	33	1-B 9	SN5467	49	1-B 10	SN8610-1	29	1-B 8
SN3298	19	1-B 7	SN4036002	51	1-B 11	SN5467	71	1-B 13	SN8610-1	31	1-B 9
SN3300	19	1-B 7	SN4038002	33	1-B 9	SN5468	49	1-B 10	SN8610-1	53	1-B 11
SN3300	71	1-B 13	SN4038005	27	1-B 8	SN5468	71	1-B 13	SN8610-1	55	1-B 11
SN3301	19	1-B 7	SN4049002	33	1-B 9	SN5476	45	1-B 10	SN8610-1	57	1-B 11
SN3301	71	1-B 13	SN4050005	27	1-B 8	SN5487	45	1-B 10	SN8612-1	35	1-B 9
SN3302	19	1-B 7	SN4051002	33	1-B 9	SN5488	49	1-B 10	SN8612-1	71	1-B 13
SN3302	21	1-B 8	SN4072002	33	1-B 9	SN5488	71	1-B 13	SN8616-1	35	1-B 9
SN3302	71	1-B 13	SN4076002	33	1-B 9	SN5489	49	1-B 10	SN8616-1	37	1-B 9
SN3303	19	1-B 7	SN4079002	33	1-B 9	SN5489	71	1-B 13	SN8631-1	29	1-B 8
SN3303	71	1-B 13	SN4081005	27	1-B 8	SN5530	23	1-B 8	SN8631-1	31	1-B 9
SN3306	7	1-B 6	SN4086002	51	1-B 11	SN5539	47	1-B 10	SN8631-1	35	1-B 9

6433 SPLIT WING LAND FINISHER
SERVICE PARTS

CENTER FRAME ASSEMBLY



07082

**6433 SPLIT WING LAND FINISHER
SERVICE PARTS**

7

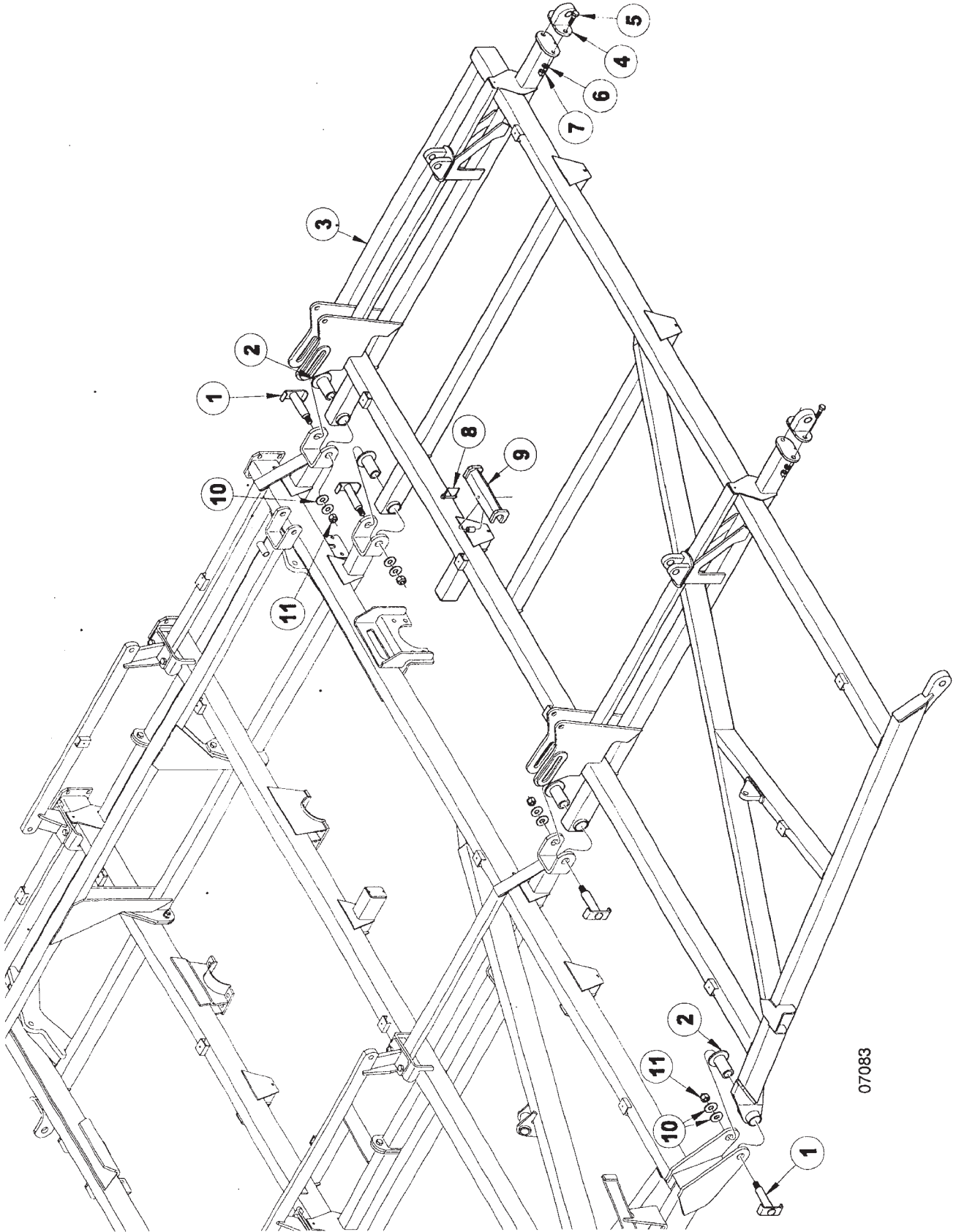
CENTER FRAME ASSEMBLY

ITEM	NUMBER	QTY	DESCRIPTION
1	SN7001		SMV EMBLEM
2	SN506		FLAT WASHER, 1/4", Y/D
3	SN3881		LOCK NUT, 1/4"-20 HEX NYLON INSERT, GR 2, Y/D
4	SN2568		HEX BOLT, 1/4"-20 X 3/4", GR 5 Y/D
5	SN12288R		MOUNT, SMV
6	SN12287R		ANCHOR, FOLD
7	SN106		HEX NUT, 3/4"-10 FULL, GR 5, Y/D
8	SN1040		LOCK WASHER,3/4" SPLIT TYPE MED,Y/D
9	SN1220		HEX BOLT, 3/4"-10 X 2", GR 5 Y/D
10	SN12296R		WING STABILIZER
11	SN12299R		FRAME, CENTER LEFT
12	SN12298R		FRAME, CENTER RIGHT
13	SN3750		OPERATOR'S MANUAL TUBE
14	SN3765		HOSE CLAMP, 3 1/2"
15	SN3356		U-BOLT, 5/8"-11 X 5 1/2" X 3 3/4" W, GR 5, Y/D
16	SN12286R		TUBE, SHANK
17	SN669-1		LOCK NUT, 5/8" HEX NYLON INSERT, GR 5, Y/D
18	SN3306		U-BOLT, 5/8"-11 X 4 1/2" X 4 5/8" W, GR 5, Y/D
19	SN3655		U-BOLT, 5/8"-11 X 7 1/2" X 3 3/4" W, GR 5, Y/D
20	SN12278R		WING STABILIZER
21	SN7053		U-BOLT, 5/8"-11 X 4 1/2" X 6 11/16"W,Y/D
22	SN12304R		PLATE, MOUNTING
23	SN10062		PIN, 1" X 10 3/4" (5 5/8") Y/D
24	SN1036		PIN CLIP, 7/8"-1" SHAFT,.178" DIA, 3 3/4" L
25	SN175		HEX BOLT, 3/8"-16 X 1 1/2",GR 5, Y/D
26	SN176		LOCK WASHER,3/8" SPLIT TYPE MED,Y/D

I0007082
PR: t05g29h00b0001

6433 SPLIT WING LAND FINISHER
SERVICE PARTS

INNER WING FRAME



07083

6433 SPLIT WING LAND FINISHER
SERVICE PARTS

9

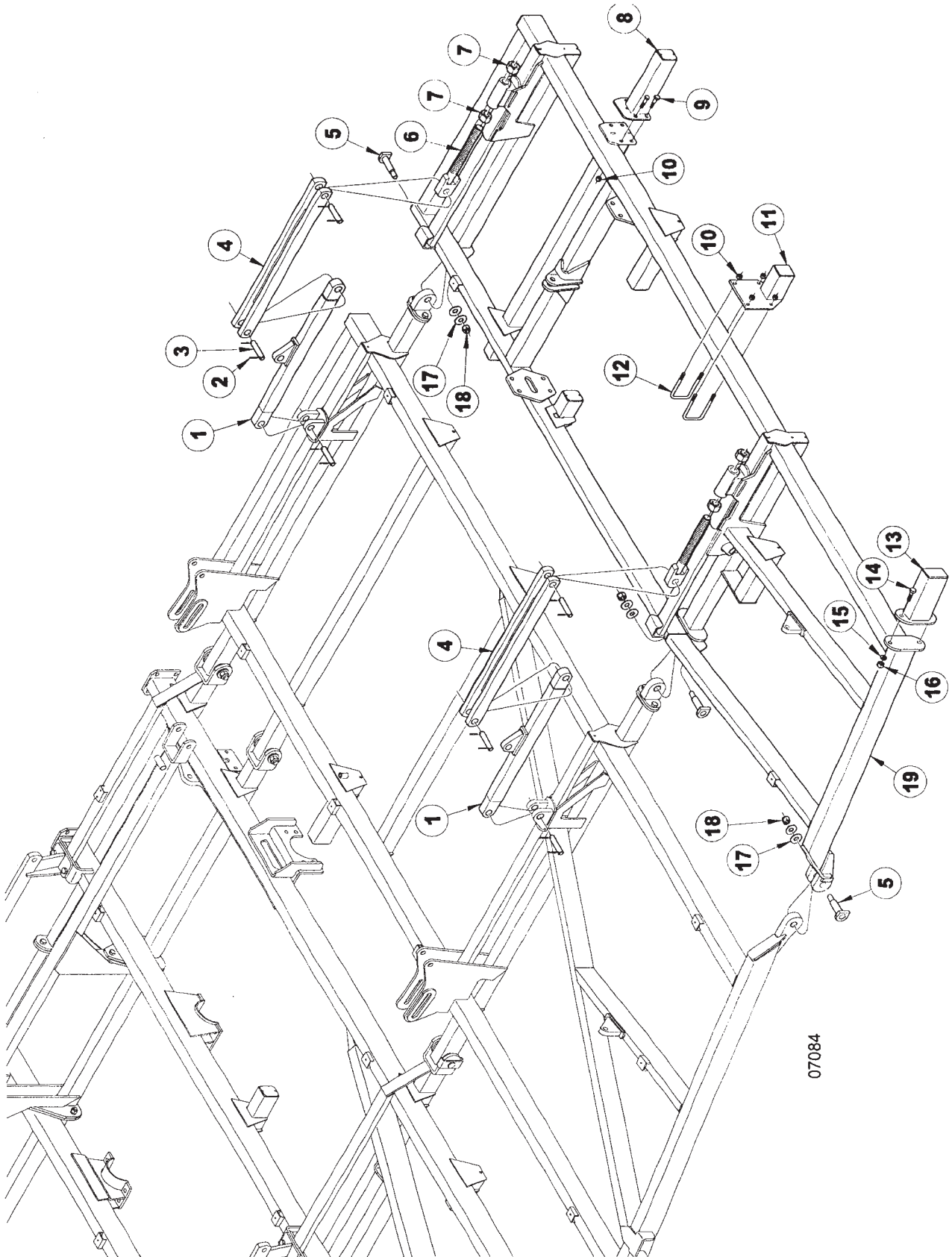
INNER WING FRAME

ITEM	NUMBER	QTY	DESCRIPTION
1	SN9233		HINGE BOLT, 1 1/2" SHAFT 1"-8 X 7 1/2", Y/D
2	SN9251		BUSHING, UHMW HINGE, 4 3/8" L
3	SN12307R		FRAME, WING LEFT INNER (SHOWN)
	SN12306R		FRAME, WING RIGHT INNER
4	SN12283R		HINGE, BOLT ON
5	SN1220		HEX BOLT, 3/4"-10 X 2", GR 5 Y/D
6	SN1040		LOCK WASHER, 3/4" SPLIT TYPE MED, Y/D
7	SN106		HEX NUT, 3/4"-10 FULL, GR 5, Y/D
8	SN12268		PIN, WIRE LOCK 3/8" X 2 1/2", Y/D
9	SN7785R		TRANSPORT LOCK
10	SN245		FLAT WASHER, 1" WIDE RIM, Y/D
11	SN3938		LOCK NUT, 1"-8 HEX NYLON INSERT, GR2, Y/D

I0007083
PR: t05g29h00b0002

6433 SPLIT WING LAND FINISHER
SERVICE PARTS

OUTER WING FRAME



07084

**6433 SPLIT WING LAND FINISHER
SERVICE PARTS**

11

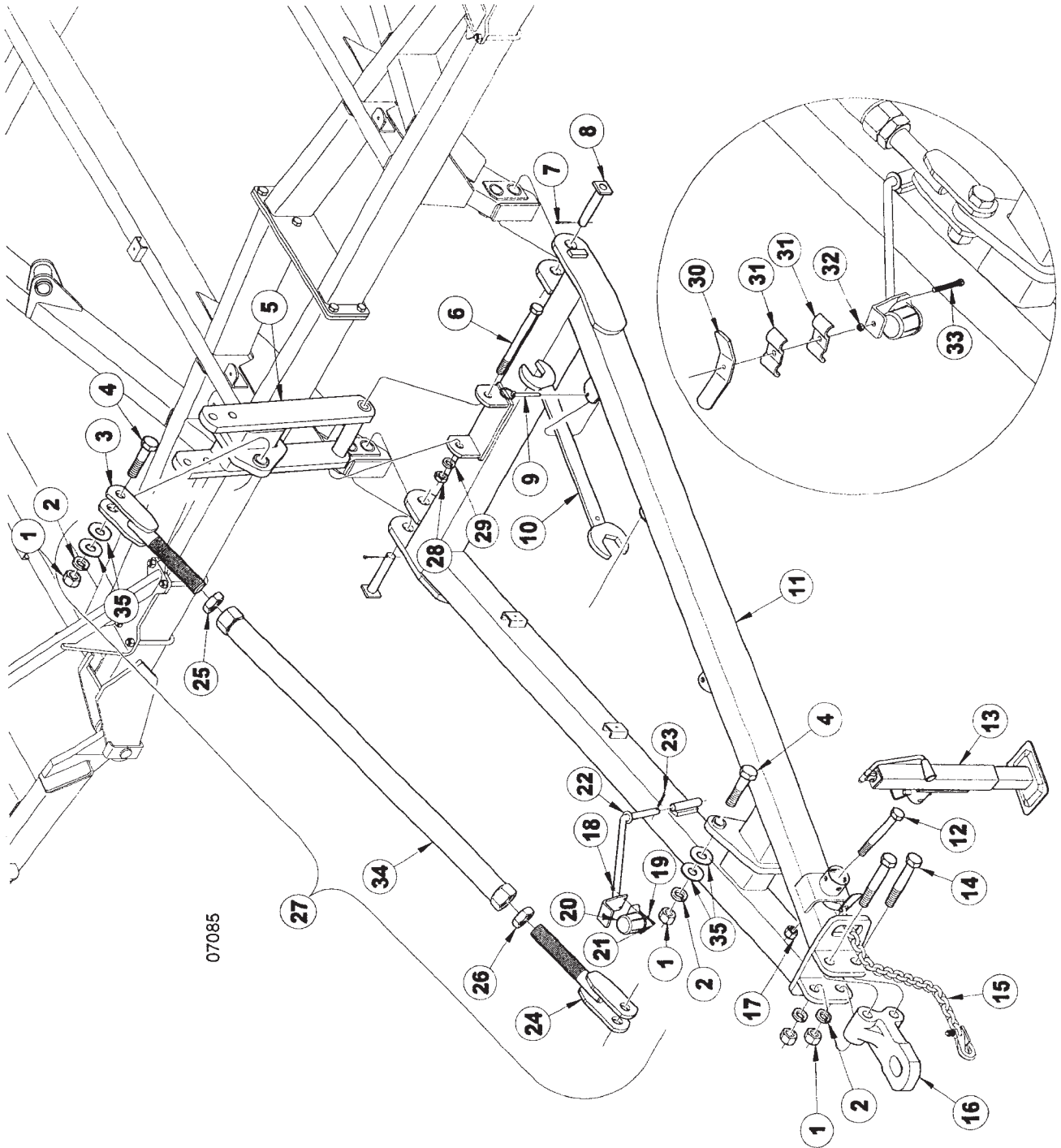
OUTER WING FRAME

ITEM	NUMBER	QTY	DESCRIPTION
1	SN12273R		LINK, FOLD
2	SN3164		ROLL PIN, 5/16" X 2" SPIRAL MEDIUM DUTY, Y/D
3	SN5342		PIN, 1 1/4" X 4 13/16" (3 3/4") Y/D
4	SN12277R		LINK, FOLD DOUBLE
5	SN12272		HINGE BOLT, 1 1/4" SHAFT 1"-8 X 6",Y/D
6	SN12305		CYLINDER, ADJUSTABLE ANCHOR, Y/D
7	SN1978		HEX NUT, 1 1/2"-6 FULL, GR 2, Y/D
8	SN12294R		EXTENSION, SHANK
9	SN670		HEX BOLT, 5/8"-11 X 2", GR 5, Y/D
10	SN669-1		LOCK NUT, 5/8" HEX NYLON INSERT, GR 5, Y/D
11	SN5605		EXTENSION, 1 SHANK
12	SN2815		U-BOLT, 5/8"-11 X 4 1/2" X 5 11/16"W, GR 5, Y/D
13	SN12282R		EXTENSION, REEL
14	SN1220		HEX BOLT, 3/4"-10 X 2", GR 5 Y/D
15	SN1040		LOCK WASHER,3/4" SPLIT TYPE MED,Y/D
16	SN106		HEX NUT, 3/4"-10 FULL, GR 5, Y/D
17	SN245		FLAT WASHER, 1" WIDE RIM, Y/D
18	SN3938		LOCK NUT, 1"-8 HEX NYLON INSERT, GR2,Y/D
19	SN12309R		FRAME, WING LEFT OUTER (SHOWN)
	SN12308R		FRAME, WING RIGHT OUTER

I0007084
PR: t05g29h00b0003

6433 SPLIT WING LAND FINISHER
SERVICE PARTS

TONGUE ASSEMBLY



**6433 SPLIT WING LAND FINISHER
SERVICE PARTS**

13

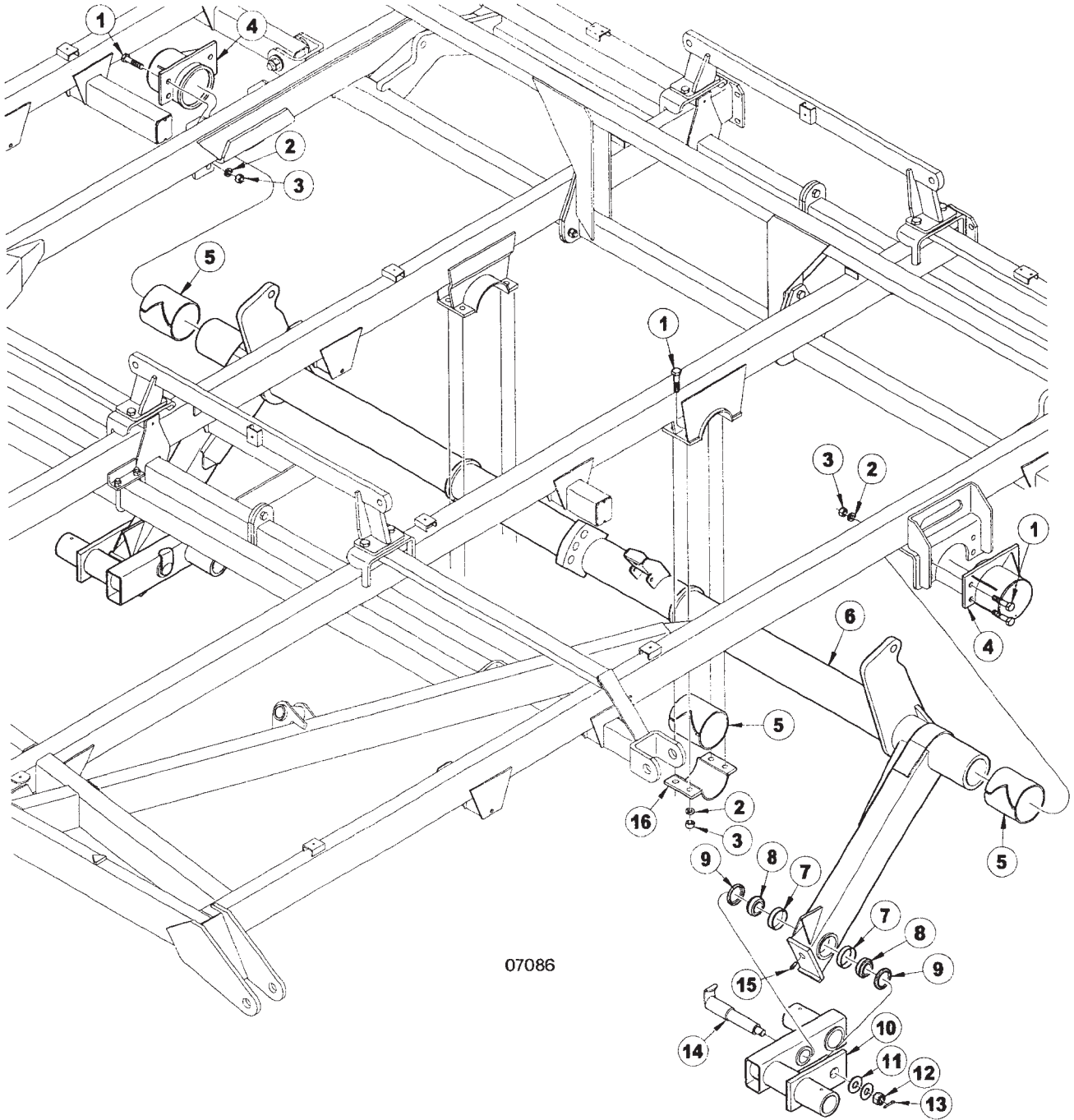
TONGUE ASSEMBLY

ITEM	NUMBER	QTY	DESCRIPTION
1	SNFK150144		HEX NUT, 1 1/4"-7, GR 2, Y/D
2	SNFK150157		LOCK WASHER, 1 1/4", Y/D
3	SN12291		SCREW, ADJUSTING RIGHT, Y/D
4	SN4753		HEX BOLT, 1 1/4"-7 X 6", GR 5, Y/D
5	SN12281R		LEVELER TOWER
6	SNYYC-186		HEX BOLT, 1"-8 X 10 1/2" GR 5, Y/D
7	SN108		COTTER PIN, 5/16" X 2 1/2", Y/D
8	SN5613		PIN, 1 1/2" X 6 1/16" (5 19/32") SQUARE HEADED
9	SN6575		BALL LOCK PIN, 3/8" X 3 1/2"(3 1/8")Z/P
10	SN6923R		WRENCH, TONGUE ADJUSTMENT
11	SN12267R		TONGUE
12	SN109		HEX BOLT, 1"-8 X 7", GR 5, Y/D
13	SN9777		LONG TONGUE JACK, SQ W/TUBE MOUNT
14	SNFK350402		HEX BOLT, 1 1/4"-7 X 7" GR 5 (SPECIAL)
15	SN9982		CHAIN, 7/16" X 64" (30,400 LB) ASSEMBLY
16	SN4781		CAST SINGLE LIP HITCH, 2" HOLE
17	SN3938		LOCK NUT, 1"-8 HEX NYLON INSERT, GR2,Y/D
18	SN3881		LOCK NUT, 1/4"-20 HEX NYLON INSERT, GR 2, Y/D
19	SN506		FLAT WASHER, 1/4", Y/D
20	SN10012		HOLDER, 7-PIN CONNECTOR
21	SN2568		HEX BOLT, 1/4"-20 X 3/4", GR 5 Y/D
22	SN9537		HOSE HOLDER
23	SN1609		COTTER PIN, 3/16" X 1 1/2"
24	SN12292		SCREW, ADJUSTING LEFT, Y/D
25	SN2088		JAM NUT, 1 3/4"-5 HEX, GR 2, Y/D
26	SN6879		JAM NUT, 1 3/4"-5 HEX LH, GR 2 Y/D
27	SN12315R		ASSY, ADJUSTING LINK (ITEMS 3, 24-26, & 34)
28	SN1849		JAM NUT, 1"-8 HEX, GR 2, Y/D
29	SN1283		LOCK WASHER, 1" SPLIT TYPE MED, Y/D
30	SN9538R		HOSE HOLDER BRACKET
31	SN2339		BRACKET CLAMP, Y/D
32	SN3567		LOCK NUT, 3/8"-16 HEX NYLON INSERT, GR 2, Y/D
33	SN9549		HEX BOLT, 3/8"-16 X 4",ALL THD GR 5,Y/D
34	SN12293R		LINK, ADJUSTING
35	SNFK150172		FLAT WASHER, 1 1/4" SAE, Y/D

I0007085
PR: t05g29h00b00004

6433 SPLIT WING LAND FINISHER
SERVICE PARTS

CENTER LIFT ASSEMBLY



07086

6433 SPLIT WING LAND FINISHER
SERVICE PARTS

15

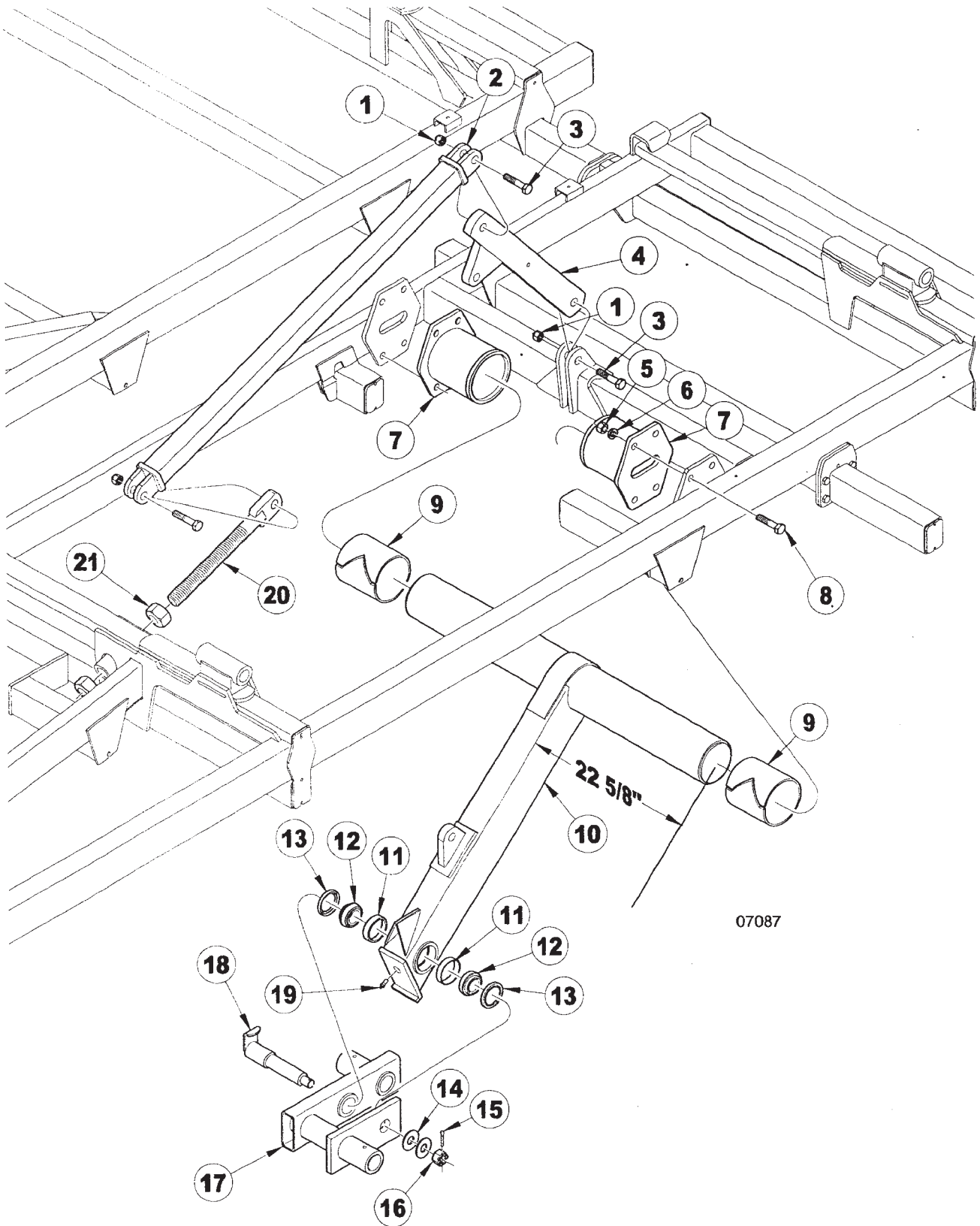
CENTER LIFT ASSEMBLY

ITEM	NUMBER	QTY	DESCRIPTION
1	SN1220		HEX BOLT, 3/4"-10 X 2", GR 5 Y/D
2	SN1040		LOCK WASHER,3/4" SPLIT TYPE MED,Y/D
3	SN106		HEX NUT, 3/4"-10 FULL, GR 5, Y/D
4	SN7870		BEARING CAP
5	SN7325		BEARING, LIFT (SPLIT) 6" WIDE
6	SN12301R		LIFT, MAIN
7	SN3062		WALKING BEAM RACE (332)
8	SN3061		WALKING BEAM BEARING (342A)
9	SN3063		WALKING BEAM SEAL (NAT.204035 C/R 22870)
10	SN5622		TANDEM PIVOT, 2 3/4" SPINDLE
11	SN245		FLAT WASHER, 1" WIDE RIM, Y/D
12	SN2992		HEX NUT,1"-14 FULL SLOTTED GR 2, Y/D
13	SN3066		COTTER PIN, 7/32" X 1 1/2"
14	SN3669		SPINDLE, 2" X 10 15/16" L TANDEM PIVOT
15	SN2098-5		GREASE ZERK, 1/8" NPTF, 1 1/4" L
16	SN7329		BEARING CAP

I0007086
PR: t05g29h00b0005

6433 SPLIT WING LAND FINISHER
SERVICE PARTS

WING LIFT ASSEMBLY



6433 SPLIT WING LAND FINISHER
SERVICE PARTS

17

WING LIFT ASSEMBLY

ITEM	NUMBER	QTY	DESCRIPTION
1	SN3938		LOCK NUT, 1"-8 HEX NYLON INSERT, GR2,Y/D
2	SN12279R		ARM, LIFT
3	SN155		HEX BOLT, 1"-8 X 3 1/2", GR 5 Y/D
4	SN12276R		LINK, LIFT
5	SN106		HEX NUT, 3/4"-10 FULL, GR 5, Y/D
6	SN1040		LOCK WASHER,3/4" SPLIT TYPE MED,Y/D
7	SN12271R		BEARING CAP
8	SN1220		HEX BOLT, 3/4"-10 X 2", GR 5 Y/D
9	SN7325		BEARING, LIFT (SPLIT) 6" WIDE
10	SN12302R		LIFT, WING RIGHT
	SN12303R		LIFT, WING LEFT (SHOWN)
11	SN3062		WALKING BEAM RACE (332)
12	SN3061		WALKING BEAM BEARING (342A)
13	SN3063		WALKING BEAM SEAL (NAT.204035 C/R 22870)
14	SN245		FLAT WASHER, 1" WIDE RIM, Y/D
15	SN3066		COTTER PIN, 7/32" X 1 1/2"
16	SN2992		HEX NUT,1"-14 FULL SLOTTED GR 2, Y/D
17	SN3330		TANDEM PIVOT
18	SN3331		SPINDLE, 2" X 9 15/16" TANDEM PIVOT
19	SN2098-5		GREASE ZERK, 1/8" NPTF, 1 1/4" L
20	SN12285		CYLINDER, ADJUSTABLE BLOCK, Y/D
21	SN1978		HEX NUT, 1 1/2"-6 FULL, GR 2, Y/D

I0007087
PR: t05g29h00b0006

6433 SPLIT WING LAND FINISHER

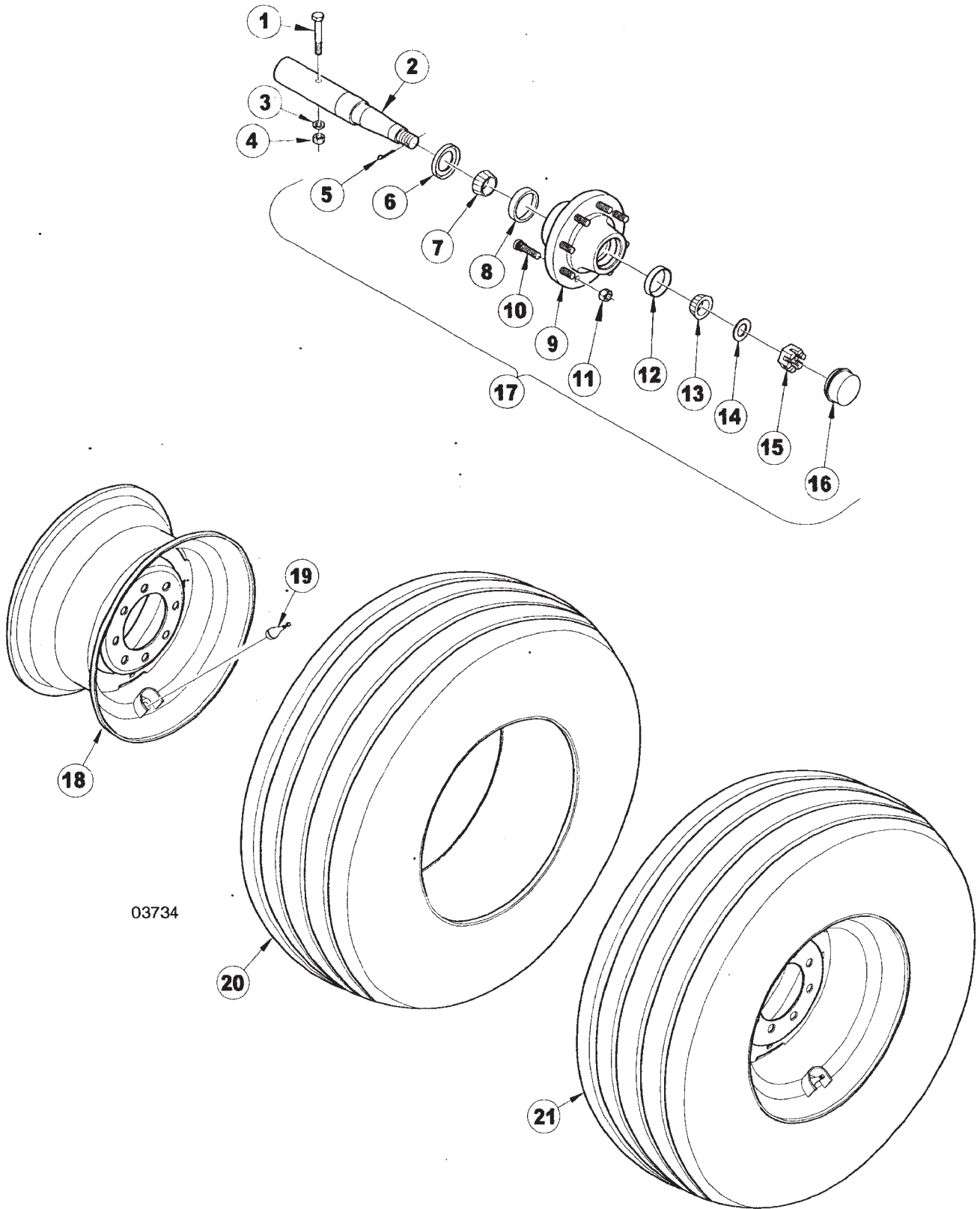
19

SERVICE PARTS**SIX BOLT HUB & SPINDLE ASSEMBLY W/WHEEL
& TIRES**

ITEM	NUMBER	QTY	DESCRIPTION
1	SN2585		HEX BOLT, 7/16"-14 X 3 1/2", GR 5, Y/D
2	SN3298		SPINDLE, 2" X 11 3/16" L
3	SN302		LOCKWASHER, 7/16" SPLIT TYPE MED, Y/D
4	SN303		HEX NUT, 7/16"-14 FULL, GR 2, Y/D
5	SN3066		COTTER PIN, 7/32" X 1 1/2"
6	SN3301		TRIPLE LIP SEAL
7	SN1935		BEARING (LM501349)
8	SN1936		RACE (LM501310)
9	SN1937		SIX BOLT HUB, STUDDED W/CUPS AND LUG NUTS, PAINTED
10	SN3118		LUG BOLT, 9/16"-18 X 1 7/8" PRESS IN, PL
11	SN3117		LUG NUT, 9/16"-18, GR 5, 90 DEG TAPER, Y/D
12	SN1605		RACE (LM67010)
13	SN1606		BEARING (LM67048)
14	SN3303		WASHER, 1 1/32" ID X 1 3/4" ODX 1/8" THICK, PLAIN
15	SN3302		HEX NUT, 1"-14 FULL SLOTTED GR 2, PLAIN
16	SN1610		DUST CAP, 2.448" OD, Y/D
17	SN2098-6		GREASE ZERK, 1/4"-28, 17/32" L, STRAIGHT W/TAPER THREADS
18	SN3300		SIX BOLT HUB ASSEMBLY W/3301 SEAL
19	SN1944		WHEEL, 15 X 10, 6 BOLT
20	SN3577		VALVE STEM
21	SN3582		TIRE, 12.5L X 15, 12 PLY, TUBELESS
22	SN3588		TIRE, 12.5L, 12 PLY TUBELESS W/15 X 10 WHEEL ASSY 6 BOLT

I0001335
PR: t05g29h00b0007

EIGHT BOLT HUB & SPINDLE ASSEMBLY
W/WHEEL & TIRES



03734

6433 SPLIT WING LAND FINISHER
SERVICE PARTS

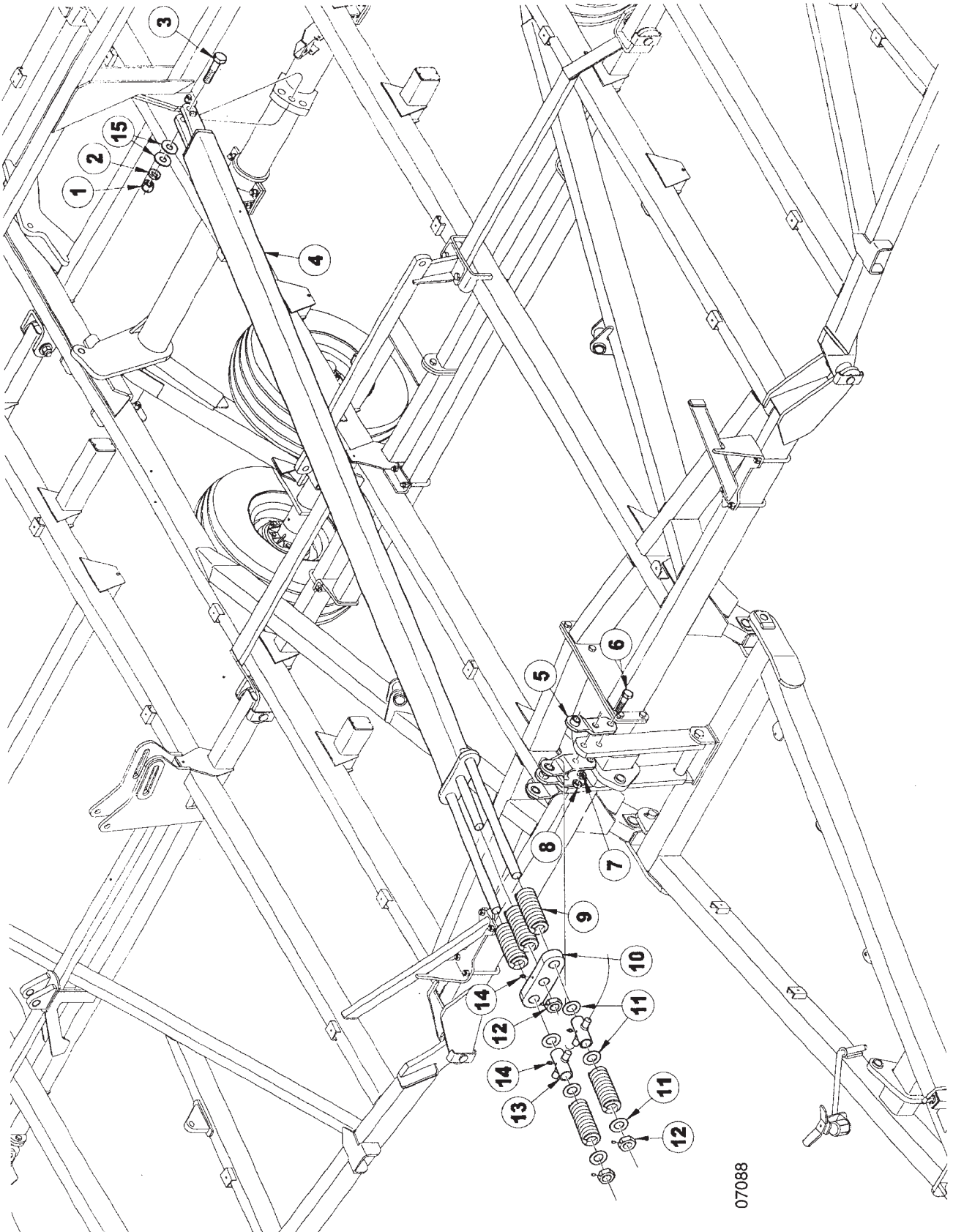
21

EIGHT BOLT HUB & SPINDLE ASSEMBLY
W/WHEEL & TIRES

ITEM	NUMBER	QTY	DESCRIPTION
1	SN140		HEX BOLT, 1/2"-13 X 4 1/2", GR 5,Y/D
2	SN5621		SPINDLE, 2 3/4" X 15 5/16"L
3	SN113		LOCK WASHER, 1/2" SPLIT TYPE MED,Y/D
4	SN114		HEX NUT, 1/2"-13 FULL, GR 2, Y/D
5	SN1609		COTTER PIN, 3/16" X 1 1/2"
6	SNFK310064		SEAL, 8-BOLT
7	SNFK310062		BEARING (JLM506849)
8	SNFK310063		RACE (JLM506810)
9	SNFK340163		EIGHT BOLT HUB, STUDDED W/CUPS AND LUG NUTS, PAINTED
10	SNFK340167		LUG BOLT, 5/8"-18 X 2 1/4"
11	SNFK340168		LUG NUT, 5/8"-18, GR 5, 90 DEGTAPER, Y/D
12	SN1936		RACE (LM501310)
13	SN1935		BEARING (LM501349)
14	SNFK340165		WASHER, 1 1/16" ID X 2 1/8" OD X 1/4" THICK, PLAIN
15	SN3302		HEX NUT, 1"-14 FULL SLOTTED GR 2, PLAIN
16	SNFK340162		DUST CAP, 3.125" OD, Y/D
17	SNFK800384		EIGHT BOLT HUB ASSY.
18	SN5603		WHEEL, 15 X 10, 8 BOLT, 3/8" OFFSET
19	SN3577		VALVE STEM
20	SN5578		TIRE, 12.5L X 15, (GY-FI-F)
21	SN5579		TIRE, 12.5L (GY-FI-F) W/15X10 WHEEL ASSY 8 BT

I0003734
PR: t05g29h00b0008

LEVELERTUBE ASSEMBLY



07088

6433 SPLIT WING LAND FINISHER
SERVICE PARTS

23

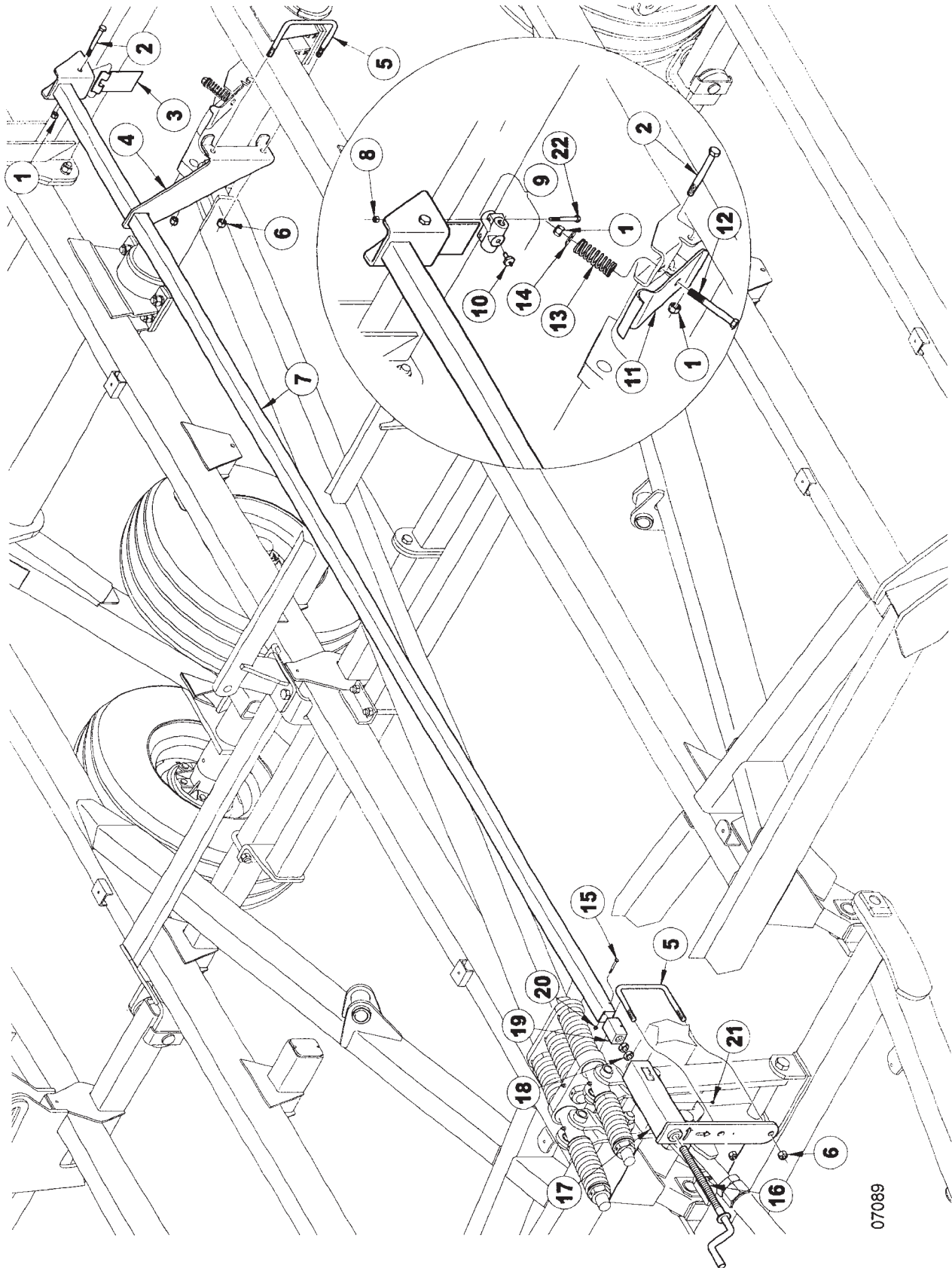
LEVELER TUBE ASSEMBLY

ITEM	NUMBER	QTY	DESCRIPTION
1	SNFK150144		HEX NUT, 1 1/4"-7, GR 2, Y/D
2	SNFK150157		LOCK WASHER, 1 1/4", Y/D
3	SN4753		HEX BOLT, 1 1/4"-7 X 6", GR 5, Y/D
4	SN12280R		TUBE, LEVELER
5	SN12275R		BRACKET, LEVELER CROSS
6	SN5530		HEX BOLT, 1"-8 X 3", 1" THD, GR 5, Y/D
7	SN1283		LOCK WASHER, 1" SPLIT TYPE MED, Y/D
8	SN1849		JAM NUT, 1"-8 HEX, GR 2, Y/D
9	SN1875		SPRING, 2.938" OD X 1.625" ID X 8 7/8" L COMPRESSION
10	SN12274R		PLATE, GUIDE
11	SN2755		FLAT WASHER, 1 9/16" ID X
12	SN1880		JAM NUT, 1 1/2"-6 HEX W/SET SCREW, GR 2, Y/D
13	SN7999		LEVELER CROSS, 5"
14	SN2098-1		GREASE ZERK, 1/8" NPTF, 5/8" L
15	SNFK150172		FLAT WASHER, 1 1/4" SAE, Y/D

I0007088
PR: t05g29h00b0009

6433 SPLIT WING LAND FINISHER
SERVICE PARTS

STROKE CONTROL TUBE



6433 SPLIT WING LAND FINISHER
SERVICE PARTS

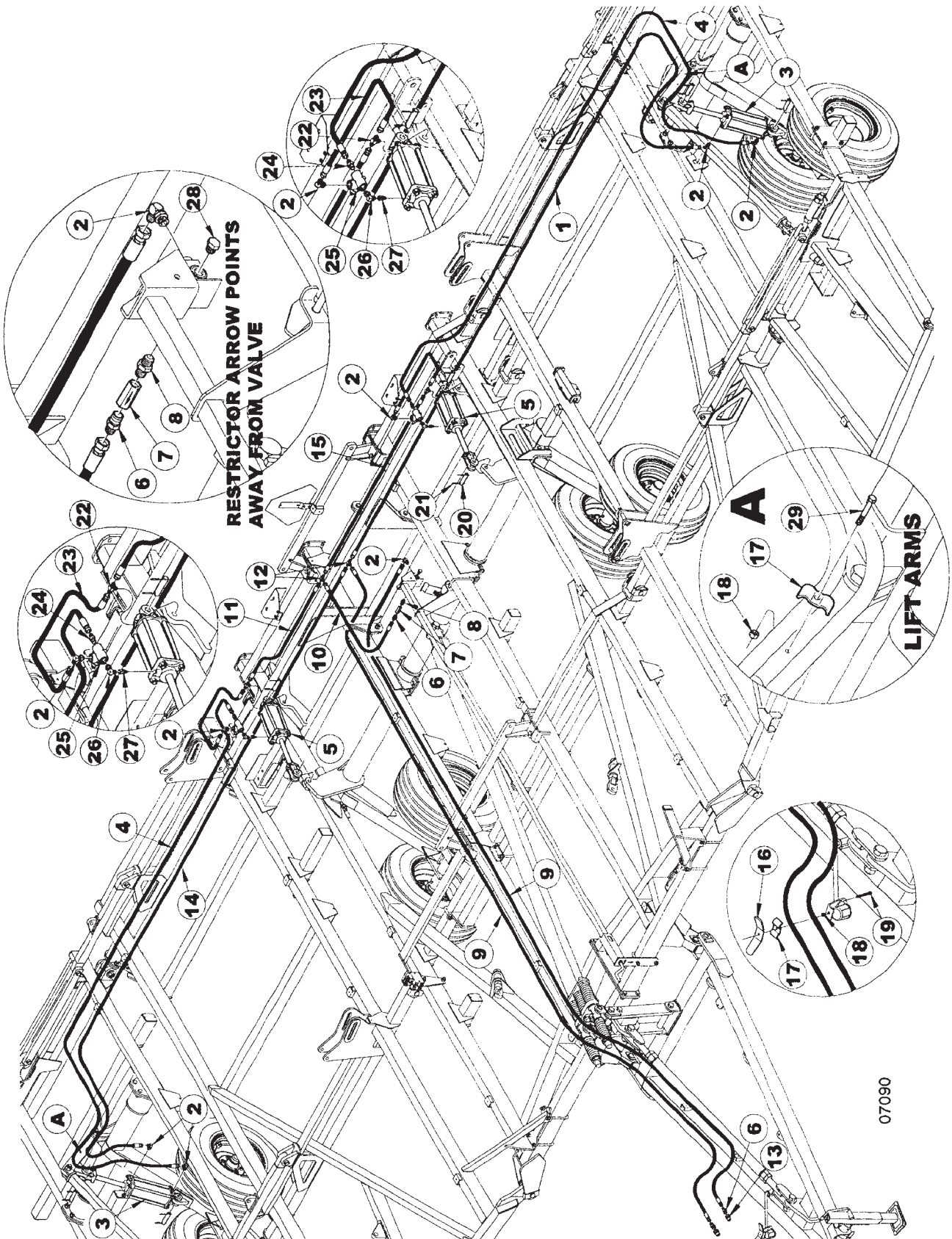
25

STROKE CONTROL TUBE

ITEM	NUMBER	QTY	DESCRIPTION
1	SN2096		LOCK NUT, 1/2"-13 HEX NYLON INSERT
2	SN140		HEX BOLT, 1/2"-13 X 4 1/2", GR 5,Y/D
3	SN6930		STOP TAB
4	SN12290R		GUIDE, STROKE CONTROL TUBE
5	SN7053		U-BOLT, 5/8"-11 X 4 1/2" X 6 11/16"W,Y/D
6	SN669-1		LOCK NUT, 5/8" HEX NYLON INSERT, GR 5, Y/D
7	SN12295R		VALVE ADJUSTMENT TUBE
8	SN6378		LOCK NUT, 5/16" HEX NYLON
9	SN4732		DEPTH CONTROL VALVE
10	SN1817		HEX BOLT, 5/16"-18 X 2 1/2", GR 5, Y/D
11	SN12289R		ACTUATOR LEVER
12	SN3371		HEX BOLT, 1/2"-13 X 4", GR 5, Y/D
13	SN4944		SPRING, 1.10" OD,.135 DIA, 3 1/2" L.
14	SN486		FLAT WASHER, 1/2", Y/D
15	SNRT015003		HEX BOLT, 1/4"-20 X 2 1/4" GR 5, Y/D
16	SN9531		THREADED REMOTE ADJUSTMENT, Y/D
17	SN12284R		MOUNT, STROKE CONTROL
18	SN1243		JAM NUT, 3/4"-10 HEX, GR 2, Y/D
19	SN12349		BUSHING,1 1/2" SQ X 2" L, DELRIN
20	SN3881		LOCK NUT, 1/4"-20 HEX NYLON INSERT, GR 2, Y/D
21	SN2098-6		GREASE ZERK, 1/4"-28, 17/32" L, STRAIGHT W/TAPER THREADS

I0007089
PR: t05g29h00b0010

LIFT HYDRAULICS



**6433 SPLIT WING LAND FINISHER
SERVICE PARTS**

27

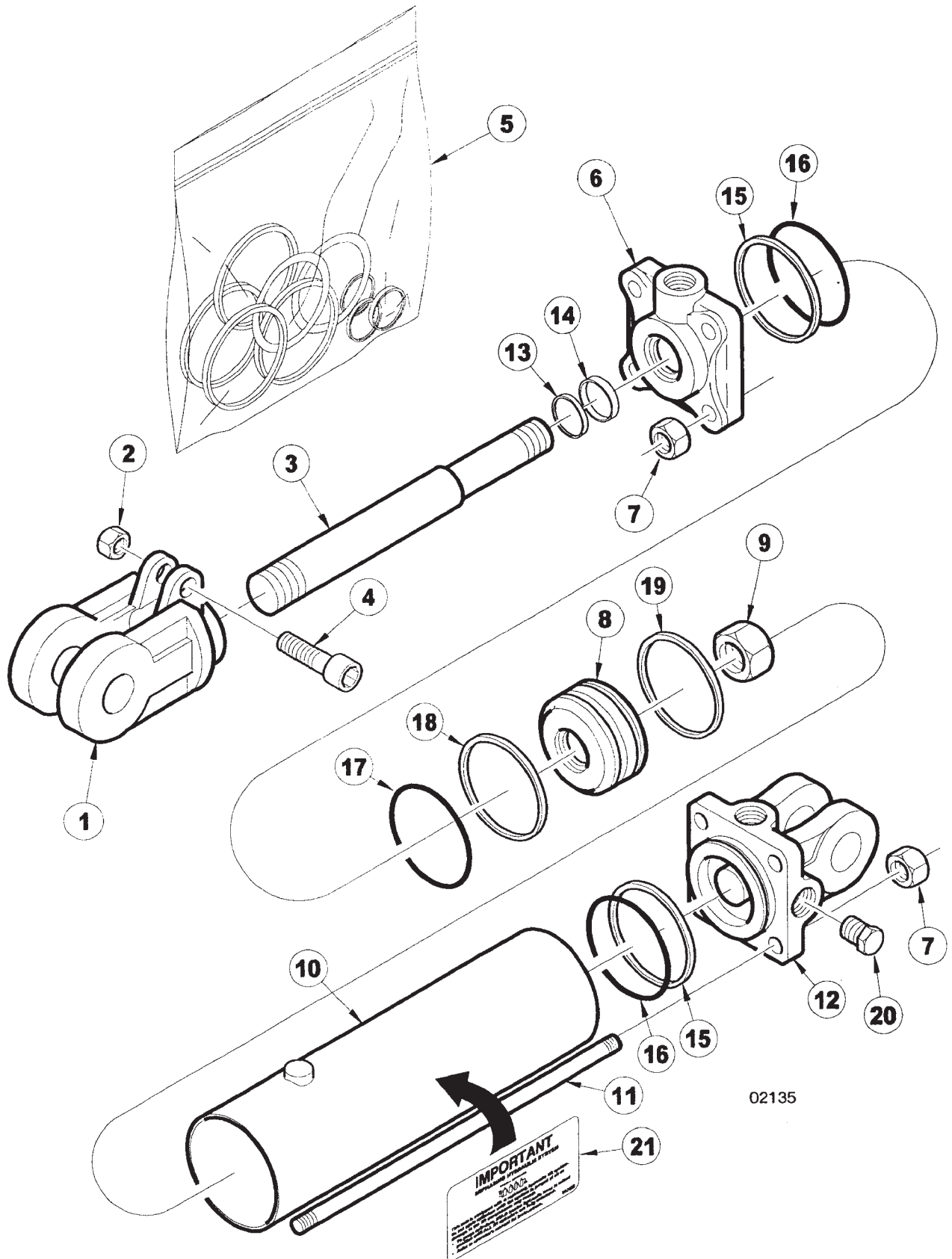
LIFT HYDRAULICS

ITEM	NUMBER	QTY	DESCRIPTION
1	SN4279005		HOSE, 1/2" X 279" L, FEMALE ENDS
2	SN4457		90 DEG STRAIGHT THD ELBOW, 7/8"-14 MF X 3/4"-16 MOR
3	SN10815		CYLINDER, 3 3/4" X 10" REPH (22 1/4"CPC) ORB CROSS, 3000 PSI
4	SN4210005		HOSE, 1/2" X 210" L, FEMALE ENDS
5	SN10814		CYLINDER, 4" X 10" REPH (22 1/4" CPC) ORB CROSS, 3000 PSI
6	SN2426		MALE CONNECTOR, 7/8"-14 MF X 1/2-14 MPT
7	SN4484		IN LINE RESTRICTOR, 1/2-14 FPT, W/ 5/32" REST
8	SN6401880		O-RING THREAD ADAPTER, 3/4"-16 MORX 1/2-14 MPT
9	SN4348005		HOSE, 1/2" X 348" L, FEMALE ENDS
10	SN4050005		HOSE, 1/2" X 50" L, FEMALE ENDS
11	SN4038005		HOSE, 1/2" X 38" L, FEMALE ENDS
12	SN4460		UNION TEE, 7/8"-14 MF
13	SN3253		HYDRAULIC COUPLER, MALE HALF
14	SN4236005		HOSE, 1/2" X 236" L, FEMALE ENDS
15	SN4081005		HOSE, 1/2" X 81" L, FEMALE ENDS
16	SN9538R		HOSE HOLDER BRACKET
17	SN5302		PIPE CLAMP, 3/8" BOLT HOLE, Y/D
18	SN3567		LOCK NUT, 3/8"-16 HEX NYLON INSERT, GR 2, Y/D
19	SN9549		HEX BOLT, 3/8"-16 X 4", ALL THD GR 5, Y/D
20	SN5339		PIN, 1" X 4 1/16" (3"), Y/D
21	SN3164		ROLL PIN, 5/16" X 2" SPIRAL MEDIUM DUTY, Y/D
22	SN4462		STRAIGHT THD. BRANCH TEE, 7/8"-14MF X 3/4"-16 MOR
23	SN4020005		HOSE, 1/2" X 20" L, FEMALE ENDS
24	SN4464		STRAIGHT THD.CONNECTOR, 7/8"-14MF X 3/4"-16 MOR
25	SN7905		RELIEF VALVE, 3/4"-16 SAE -1000 PSI
26	SN4454		90 DEG STR THREAD ELBOW, 3/4"-16
27	SN10837		MALE O.R. TO JIC SWIVEL CONNECTOR, 3/4-16 O.R. TO 3/4-16 F.F.
28	SN4458		PLUG, 3/4"-16 MOR
29	SN2487		HEX BOLT, 3/8"-16 X 2 1/2", GR 5, Y/D

I0007090
PR: t05g29h00b0011

6433 SPLIT WING LAND FINISHER
SERVICE PARTS

4" X 10" HYDRAULIC CYLINDER 10814R



02135

6433 SPLIT WING LAND FINISHER
SERVICE PARTS

29

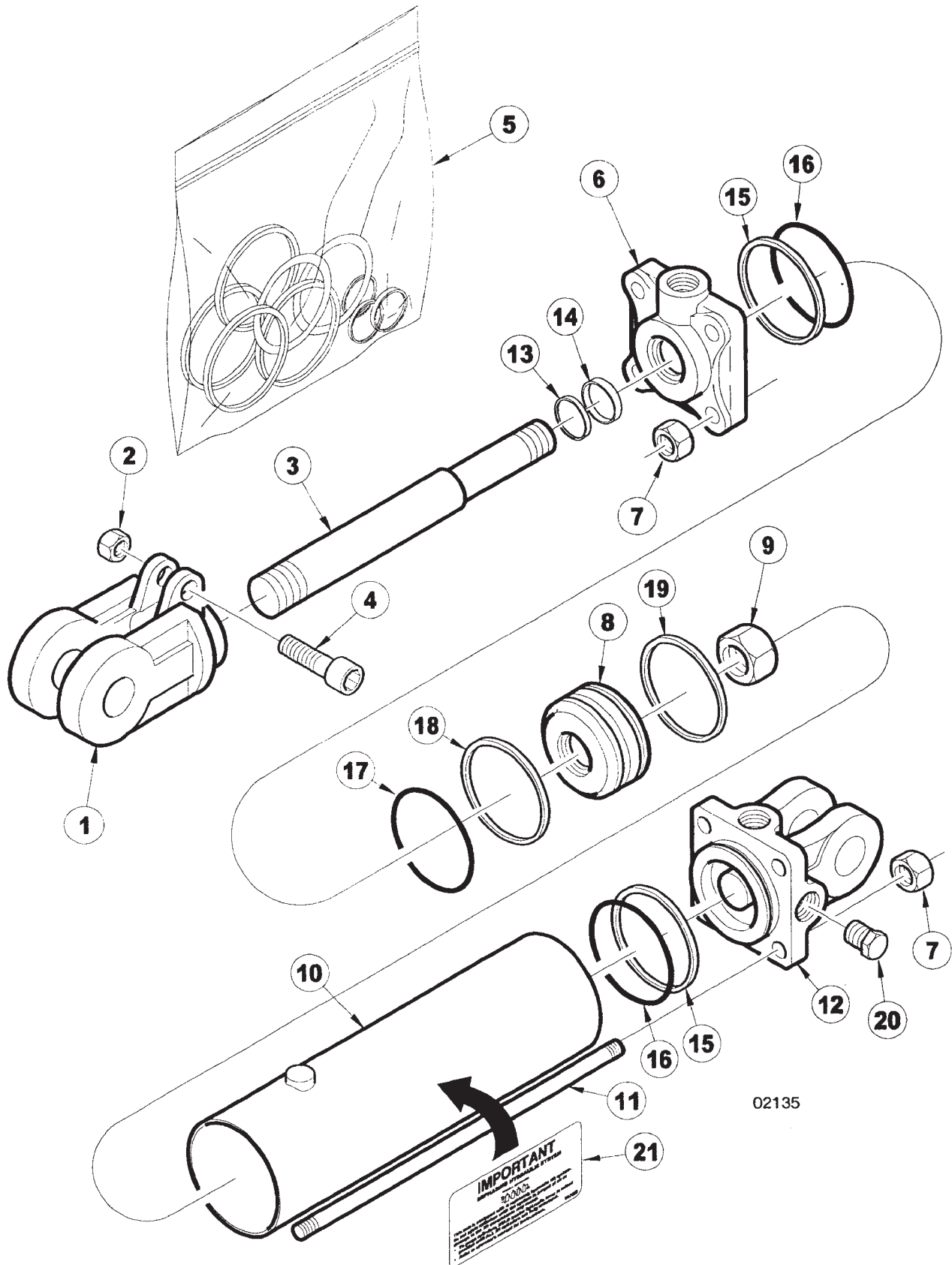
4" X 10" HYDRAULIC CYLINDER 10814R

ITEM	NUMBER	QTY	DESCRIPTION
1	SN8610-1		CLEVIS, 1 1/4" THREADS, 1" PIN W/BUSHING CROSS
2	SN8671-1		CAPSCREW NUT, 5/16" THREADS CROSS
3	SN8925-1		ROD, 1 3/8" DIA, 10" REPHASING CROSS
4	SN8631-1		CAPSCREW, CROSS
5	SN8781-1		SEAL KIT, 4", 1 3/8" ROD
6	SN8739-10		HEAD, 4" 1 3/8" ROD, REPHASING CROSS
7	SN8864-1		TIE ROD NUT, 5/8" THREADS
8	SN8653-1		PISTON, 4" W/1" HOLE, REPHASING CROSS
9	SN8683-1		PISTON NUT, 1" CROSS
10	SN8826-1		TUBE, 4" X 10" REPHASING CROSS
11	SN8654-1		TIE ROD BOLT, 4" X 10" REPHASING, CROSS
12	SN8670-10		BASE, 4" (ORB) CROSS
13			* WIPER
14			* U-CUP
15			* BACKUP
16			* O-RING
17			* O-RING
18			* TEFLON RING
19			* WEAR RING
20	SN4458		PLUG, 3/4"-16 MOR
21	SN997052		SYSTEMS MUST BE BLED OF AIR NOTE*AVAILABLE IN THE SEAL KIT ONLY.

I0002135
PR: t05g29h00b0012

6433 SPLIT WING LAND FINISHER
SERVICE PARTS

3 3/4" X 10" HYDRAULIC CYLINDER 10815R



02135

6433 SPLIT WING LAND FINISHER
SERVICE PARTS

31

3 3/4" X 10" HYDRAULIC CYLINDER 10815R

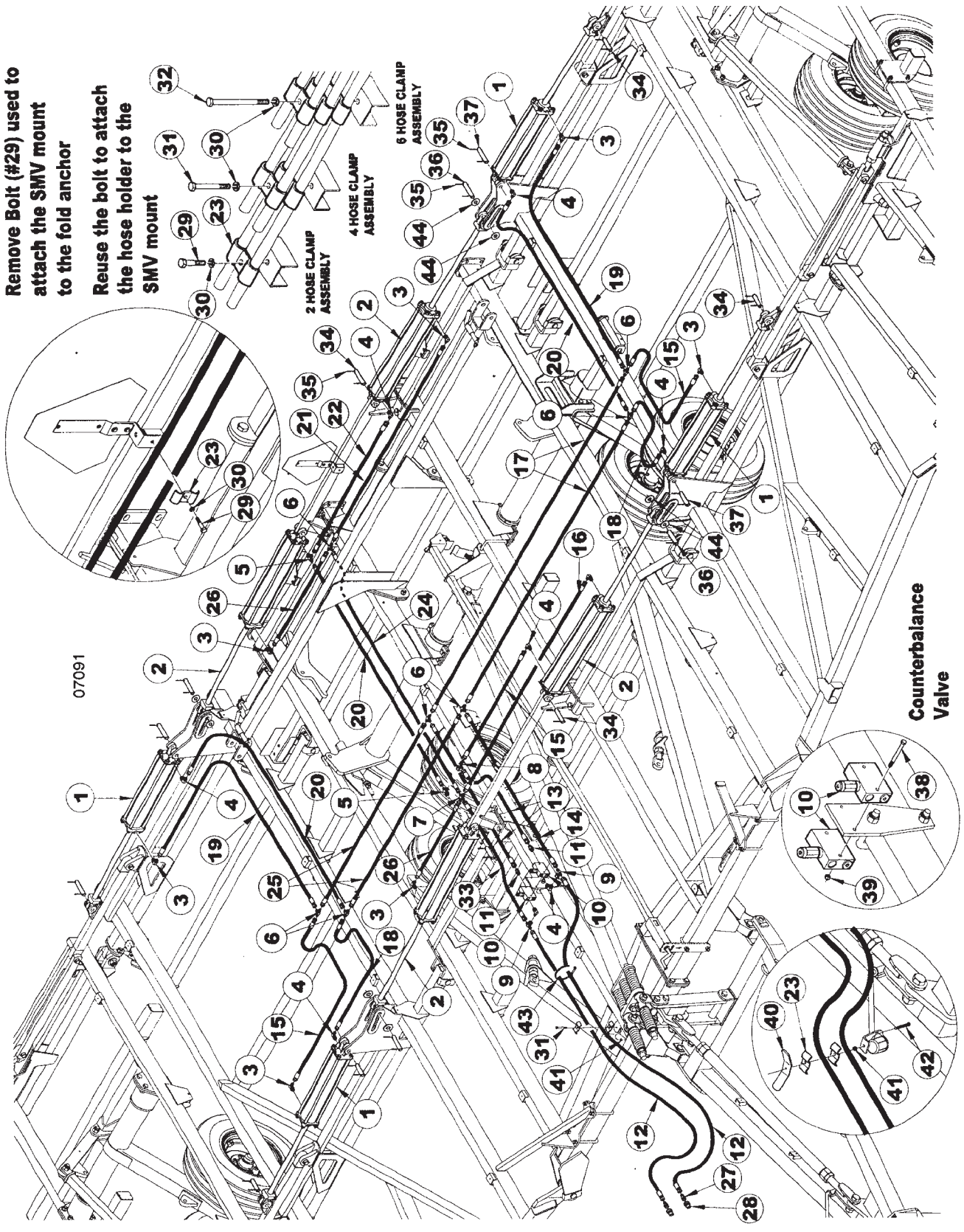
ITEM	NUMBER	QTY	DESCRIPTION
1	SN8610-1		CLEVIS, 1 1/4" THREADS, 1" PIN W/BUSHING, CROSS
2	SN8671-1		CAPSCREW NUT, 5/16" THREADS CROSS
3	SN8925-1		ROD, 1 3/8" DIA, 10" REPHASING CROSS
4	SN8631-1		CAPSCREW, CROSS
5	SN8776-1		SEAL KIT, 3 3/4", 1 3/8" ROD, REPHASING CROSS
6	SN8736-10		HEAD, 3 3/4", 1 3/8" ROD
7	SN8864-1		TIE ROD NUT, 5/8" THREADS
8	SN8655-1		PISTON, 3 3/4" W/1" HOLE REPHASING,CROSS
9	SN8683-1		PISTON NUT, 1" CROSS
10	SN8828-1		TUBE, 3 3/4" X 10" REPHASING CROSS E
11	SN8654-1		TIE ROD BOLT, 4" X 10" REPHASING, CROSS
12	SN8656-10		BASE, 3 3/4" (ORB), 1" PIN REPHASING, CROSS
13			* WIPER
14			* U-CUP
15			* BACKUP
16			* O-RING
17			* O-RING
18			* TEFLON RING
19			* WEAR RING
20	SN4458		PLUG, 3/4"-16 MOR
21	SN997052		SYSTEMS MUST BE BLED OF AIR NOTE*AVAILABLE IN THE SEAL KIT ONLY.

I0002135
PR: t05g29h00b0013

FOLD HYDRAULICS

Remove Bolt (#29) used to attach the SMV mount to the fold anchor

Reuse the bolt to attach the hose holder to the SMV mount



**6433 SPLIT WING LAND FINISHER
SERVICE PARTS**

33

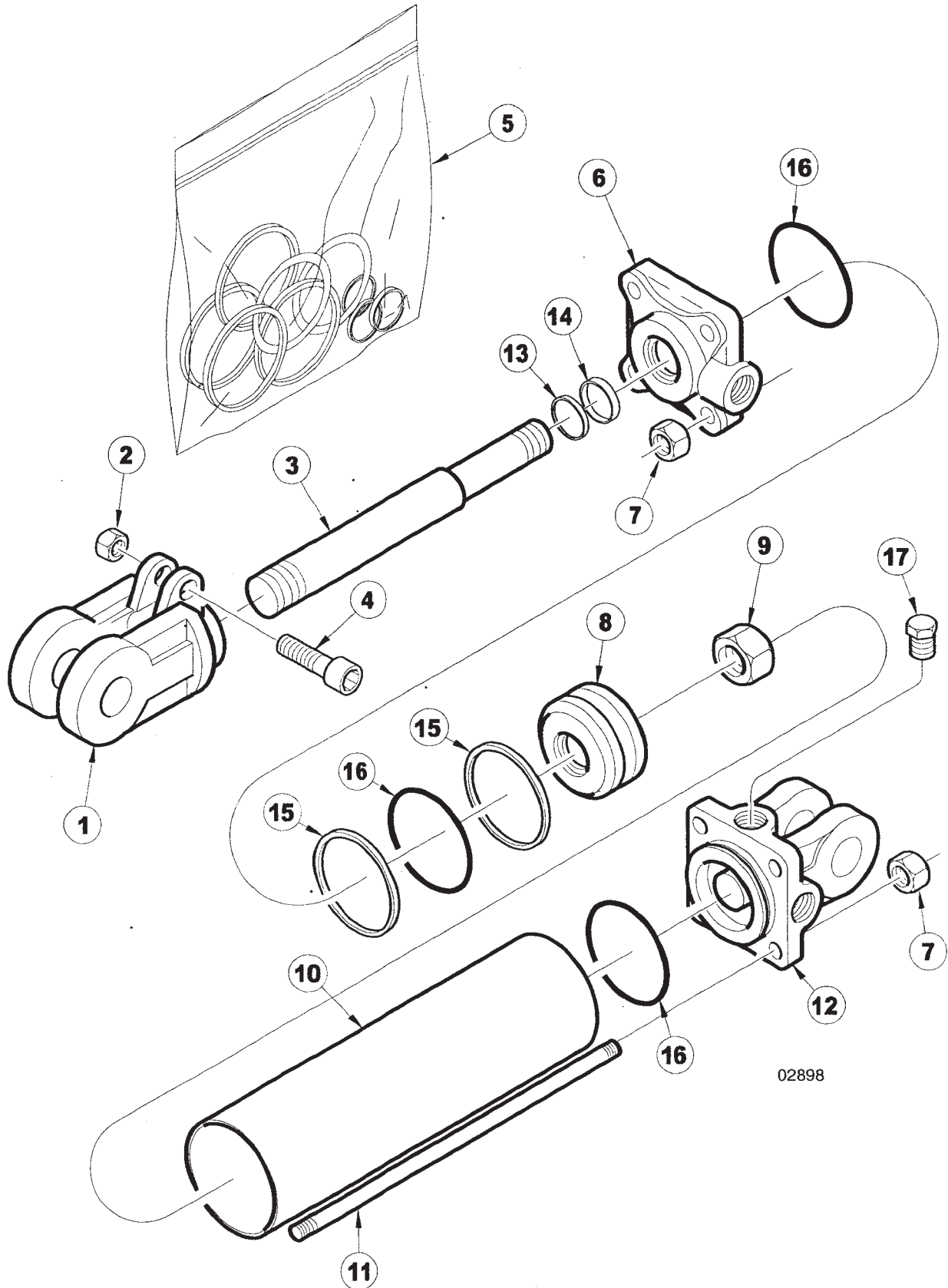
FOLD HYDRAULICS

ITEM	NUMBER	QTY	DESCRIPTION
1	SN12020		CYLINDER, 3 1/2" X 24" (34 1/4 CPC) ORB CROSS, 3000 PSI
2	SN10812		CYLINDER, 4" X 30" (40 1/4" CPC) ORB CROSS, 3000 PSI
3	SN4455		90 DEG STR THD ELBOW, 3/4"-16 MFX 3/4"-16 MOR W/1/16" REST
4	SN4454		90 DEG STR THREAD ELBOW, 3/4"-16
5	SN4474		STRAIGHT THD.RUN TEE, 3/4"-16 MF X 3/4"-16 MOR
6	SN2429		UNION TEE, 3/4"-16 MF
7	SN4482		UNION CROSS, 3/4"-16 MF
8	SN6380		SWIVEL NUT RUN TEE, 3/4"-16 MF X 3/4"-16 FF
9	SN4473		SWIVEL NUT BRANCH TEE, 3/4"-16 MF X 3/4"-16 FF
10	SN6934		VALVE, COUNTERBALANCE
11	SN4463		STRAIGHT THD.CONNECTOR, 3/4"-16
12	SN4232002		HOSE, 3/8" X 232" L, FEMALE ENDS
13	SN4018002		HOSE, 3/8" X 18" L, FEMALE ENDS
14	SN4023002		HOSE, 3/8" X 23" L, FEMALE ENDS
15	SN4049002		HOSE, 3/8" X 49" L, FEMALE ENDS
16	SN4079002		HOSE, 3/8" X 79" L, FEMALE ENDS
17	SN4118002		HOSE, 3/8" X 118" L, FEMALE ENDS
18	SN4021002		HOSE, 3/8" X 21" L, FEMALE ENDS
19	SN4132002		HOSE, 3/8" X 132" L, FEMALE ENDS
20	SN4113002		HOSE, 3/8" X 113" L, FEMALE ENDS
21	SN4076002		HOSE, 3/8" X 76" L, FEMALE ENDS
22	SN4051002		HOSE, 3/8" X 51" L, FEMALE ENDS
23	SN5302		PIPE CLAMP, 3/8" BOLT HOLE, Y/D
24	SN4098002		HOSE, 3/8" X 98" L, FEMALE ENDS
25	SN4072002		HOSE, 3/8" X 72" L, FEMALE ENDS
26	SN4038002		HOSE, 3/8" X 38" L, FEMALE ENDS
27	SN2425		MALE CONNECTOR, 3/4"-16 MF X 1/2-14 MPT
28	SN3253		HYDRAULIC COUPLER, MALE HALF
29	SN175		HEX BOLT, 3/8"-16 X 1 1/2",GR 5, Y/D
30	SN176		LOCK WASHER,3/8" SPLIT TYPE MED,Y/D
31	SN2487		HEX BOLT, 3/8"-16 X 2 1/2",GR 5, Y/D
32	SN3565		HEX BOLT, 3/8"-16 X 3 1/2",GR 5, Y/D
33	SN4026002		HOSE, 3/8" X 26" L, FEMALE ENDS
34	SN5339		PIN, 1" X 4 1/16" (3"), Y/D
35	SN3164		ROLL PIN, 5/16" X 2" SPIRAL MEDIUM DUTY, Y/D
36	SN5252		PIN, 1" X 6 9/16" (5 1/4") Y/D
37	SN5251		PIN, 1" X 5 13/16" (4 1/2"), Y/D
38	SNCS516312		HEX BOLT, 5/16"-18 X 3 1/2" GR5,Y/D
39	SN6378		LOCK NUT, 5/16" HEX NYLON
40	SN9538R		HOSE HOLDER BRACKET
41	SN3567		LOCK NUT, 3/8"-16 HEX NYLON INSERT, GR 2, Y/D
42	SN9549		HEX BOLT, 3/8"-16 X 4",ALL THD GR 5,Y/D
43	SN2587		PLASTIC HOSE STRAP, 21 1/2" L
44	SN245		FLAT WASHER, 1" WIDE RIM, Y/D

I0007091
PR: t05g29h00b0014

6433 SPLIT WING LAND FINISHER
SERVICE PARTS

4" X 30" HYDRAULIC CYLINDER 10812R



02898

6433 SPLIT WING LAND FINISHER
SERVICE PARTS

35

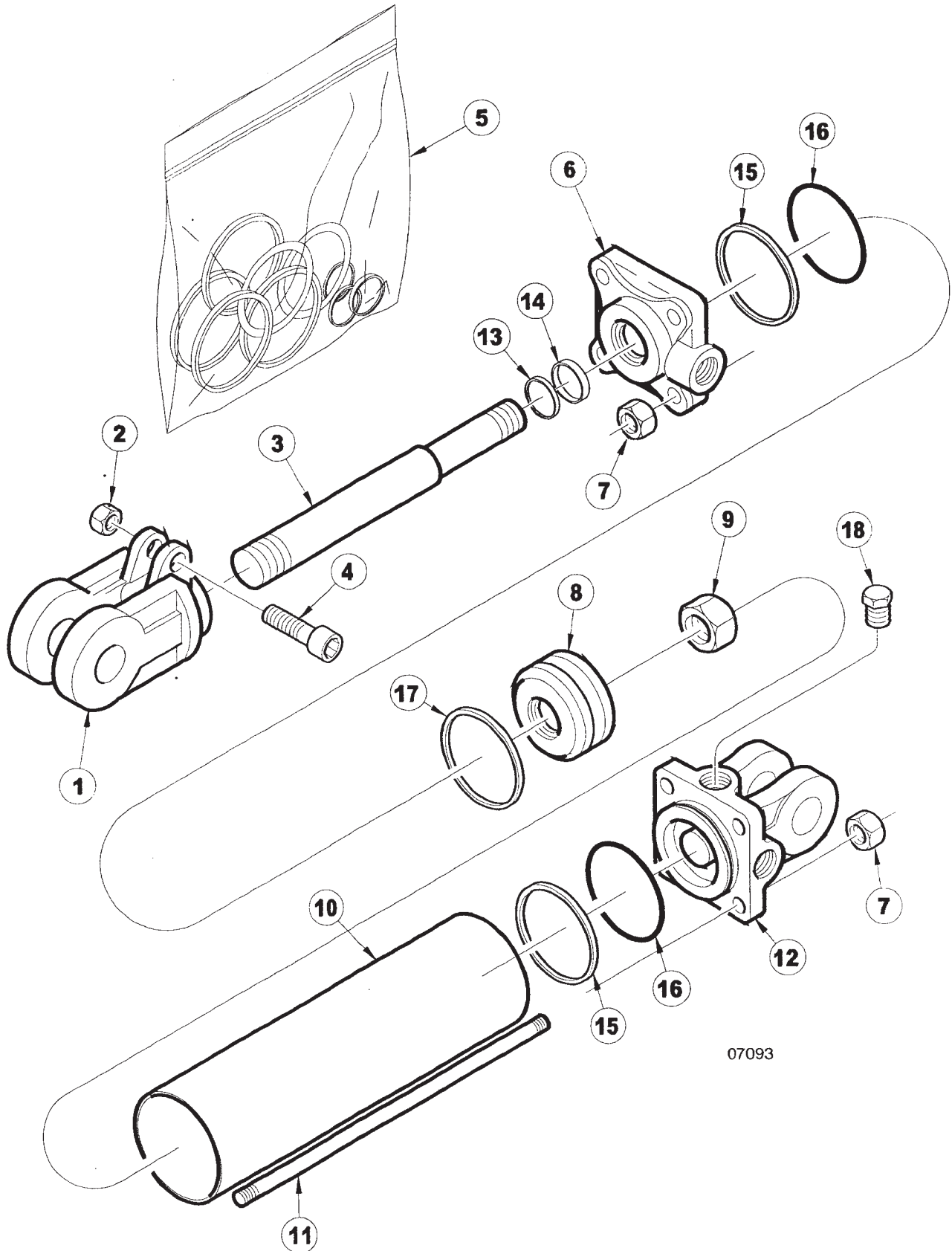
4" X 30" HYDRAULIC CYLINDER 10812R

ITEM	NUMBER	QTY	DESCRIPTION
1	SN8616-1		CLEVIS, 1 1/2" THREADS, 1" PIN CR OSSGS, 4" X 8", CROSS
2	SN8671-1		CAPSCREW NUT, 5/16" THREADS CROSS
3	SN8923-1		ROD, 1 1/2" DIA, 30", CROSS
4	SN8631-1		CAPSCREW, CROSS
5	SN8612-1		SEAL KIT, 4", 1 1/2" ROD, CROSS
6	SN8273-1		HEAD, 4", 1 1/2" ROD, CROSS
7	SN8864-1		TIE ROD NUT, 5/8" THREADS
8	SN8682-1		PISTON, 4" W/1" HOLE, CROSS
9	SN8683-1		PISTON NUT, 1" CROSS
10	SN8837-1		TUBE, 4" X 30" CROSS
11	SN8602-1		TIE ROD BOLT, 4" X 30", CROSS
12	SN8670-10		BASE, 4" (ORB) CROSS
13			* WIPER
14			* U-CUP
15			* BACKUP
16			* O-RING
17	SN4458		PLUG, 3/4"-16 MOR NOTE*AVAILABLE IN THE SEAL KIT ONLY.

I0002898
PR: t05g29h00b0015

6433 SPLIT WING LAND FINISHER
SERVICE PARTS

3 1/2" X 24" HYDRAULIC CYLINDER 12020R



07093

6433 SPLIT WING LAND FINISHER
SERVICE PARTS

37

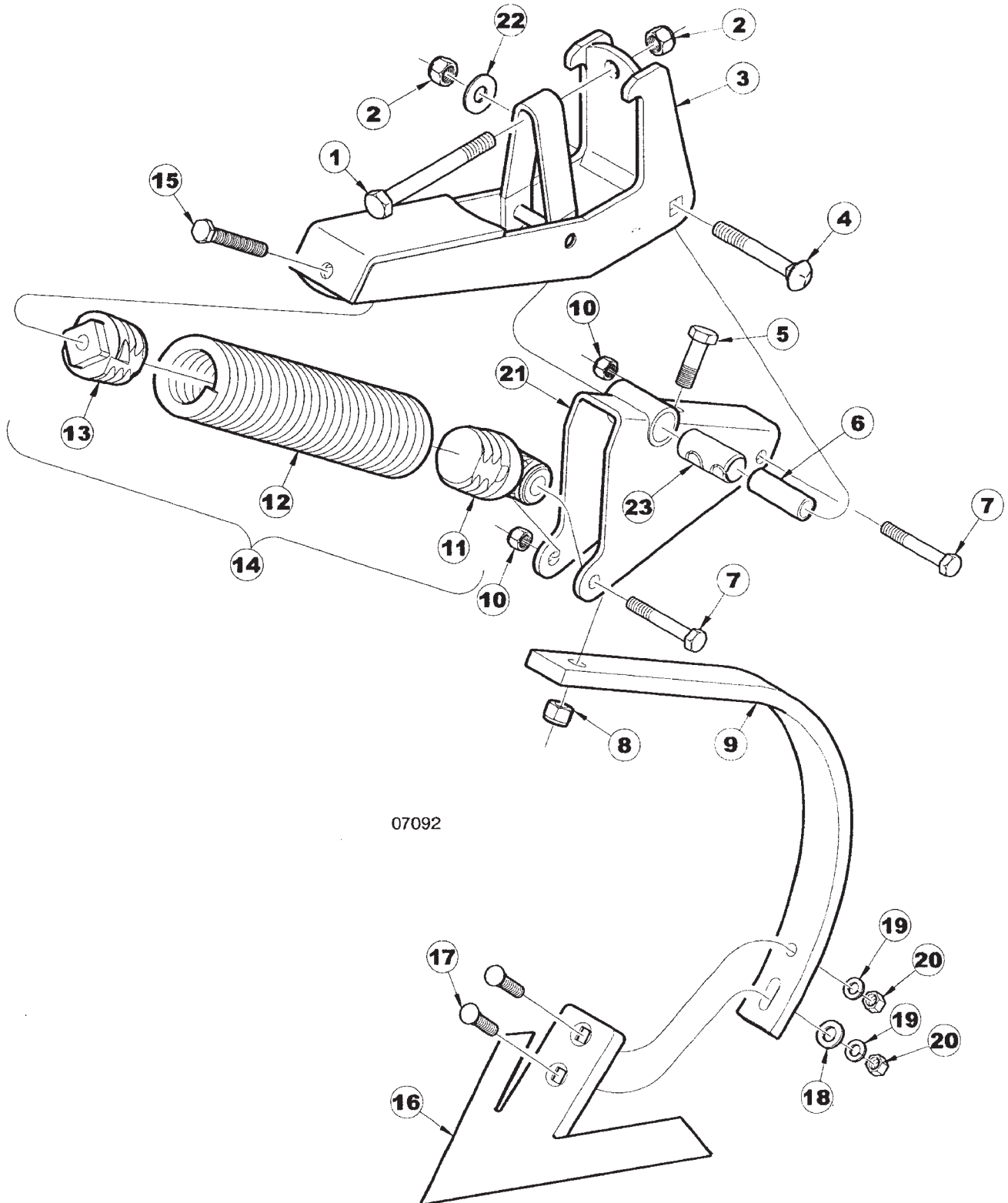
3 1/2" X 24" HYDRAULIC CYLINDER 12020R

ITEM	NUMBER	QTY	DESCRIPTION
1	SN8616-1		CLEVIS, 1 1/2" THREADS, 1" PIN CROSS GS, 4" X 8", CROSS
2	SN8671-1		CAPSCREW NUT, 5/16" THREADS CROSS
3	SN12017		ROD, 1 1/2" DIA, 24" CROSS
4	SN8631-1		CAPSCREW, CROSS
5	SN12015		SEAL KIT, 3 1/2", 1 1/2" ROD CROSS
6	SN12018		HEAD, 3 1/2", 1 1/2" ROD, CROSS (ORB)
7	SN8863-1		TIE ROD NUT, 9/16" THREADS CROSSING CROSS
8	SN8978-1		PISTON, 3 1/2" W/1" HOLE CROSS
9	SN8683-1		PISTON NUT, 1" CROSS
10	SN12016		TUBE, 3 1/2" X 24" CROSS
11	SN12019		TIE ROD BOLT, 3 1/2" X 24" CROSS
12	SN8927-10		BASE, 3 1/2" (ORB 1" PIN) REPHASING, CROSS
13			* WIPER
14			* U-CUP
15			* BACK-UP
16			* O-RING
17			* CROWN SEAL
18	SN4458		PLUG, 3/4"-16 MOR NOTE*AVAILABLE IN THE SEAL KIT ONLY.

I0007093
PR: t05g29h00b0016

6433 SPLIT WING LAND FINISHER
SERVICE PARTS

SPRING SHANK ASSEMBLY



07092

**6433 SPLIT WING LAND FINISHER
SERVICE PARTS**

39

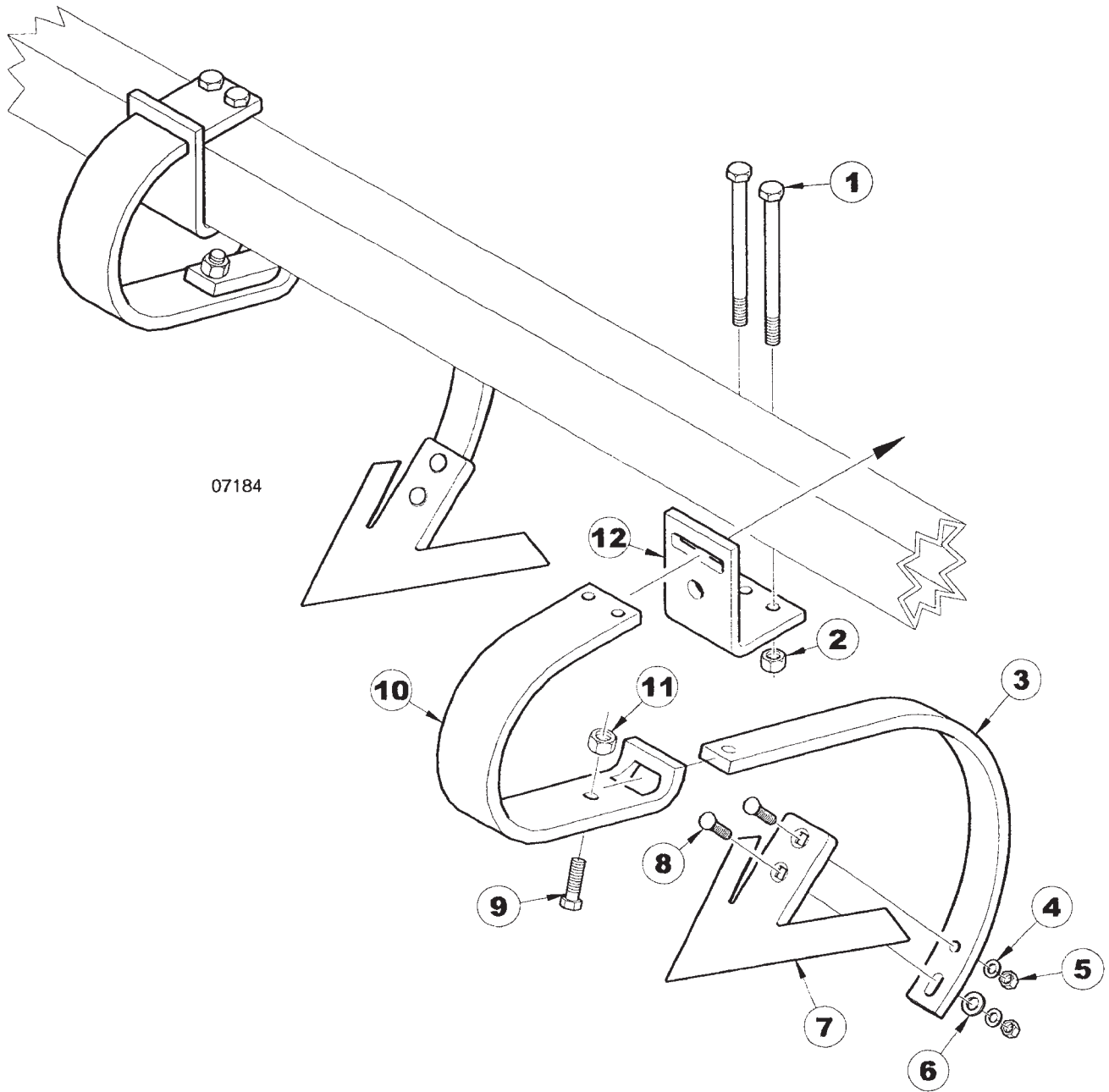
SPRING SHANK ASSEMBLY

ITEM	NUMBER	QTY	DESCRIPTION
1	SN2097		HEX BOLT, 5/8"-11 X 5 1/2",GR 5, Y/D
2	SN669-1		LOCK NUT, 5/8" HEX NYLON INSERT, GR 5, Y/D
3	SN10603		MOUNT, UPPER SHANK
4	SN3949		CARRIAGE BOLT, 5/8" X 4 1/4", Y/D,
5	SN3790		HEX BOLT, 9/16"-12 X 1 3/4", GR 8,Y/D
6	SN5711		BUSHING, CLAMP
7	SN156		HEX BOLT, 1/2"-13 X 3", GR 5 Y/D
8	SN3757		LOCK NUT, 9/16"-12 HEX NYLON INSERT, GR 8, PLATED
9	SN12231		SHANK, 5/8" X 1 3/4" FLAT
10	SN2096		LOCK NUT, 1/2"-13 HEX NYLON INSERT
11	SN3042		SPRING BASE, 5000
12	SN3043		SPRING, 5000
13	SN3041		THREADED SPRING PLUG, 5000
14	SN3044B		SPRING ASSEMBLY, 5000 (11-13)
15	SN10820		HEX BOLT, 1/2"-13 X 4" ALL THD GR 5,Y/D
16	SN3048		SWEEP, 10" PLAIN (47 DEG)
17	SN3050		PLOW BOLT, 7/16"-14 X 1 1/2", GR 5, Y/D
18	SN305		FLAT WASHER, 7/16", Y/D
19	SN302		LOCKWASHER,7/16" SPLIT TYPE MED,Y/D
20	SN303		HEX NUT, 7/16"-14 FULL, GR 2, Y/D
21	SN10604		SHANK HOLDER
22	SN5810		WASHER, 1 5/16" OD X 11/16" ID.149" THICK, HARDENED, Y/D
23	SN6642		BUSHING, 1 1/8" OD X.887" ID 2 3/8" L (HARD) SPRING
	SN12256		SPRING SHANK ASSEMBLY (ITEMS 1-10, 14, 15, 21-23)

I0007092
PR: t05g29h00b0017

6433 SPLIT WING LAND FINISHER
SERVICE PARTS

S-TINE SHANK ASSEMBLY (2 PIECE)



6433 SPLIT WING LAND FINISHER
SERVICE PARTS

41

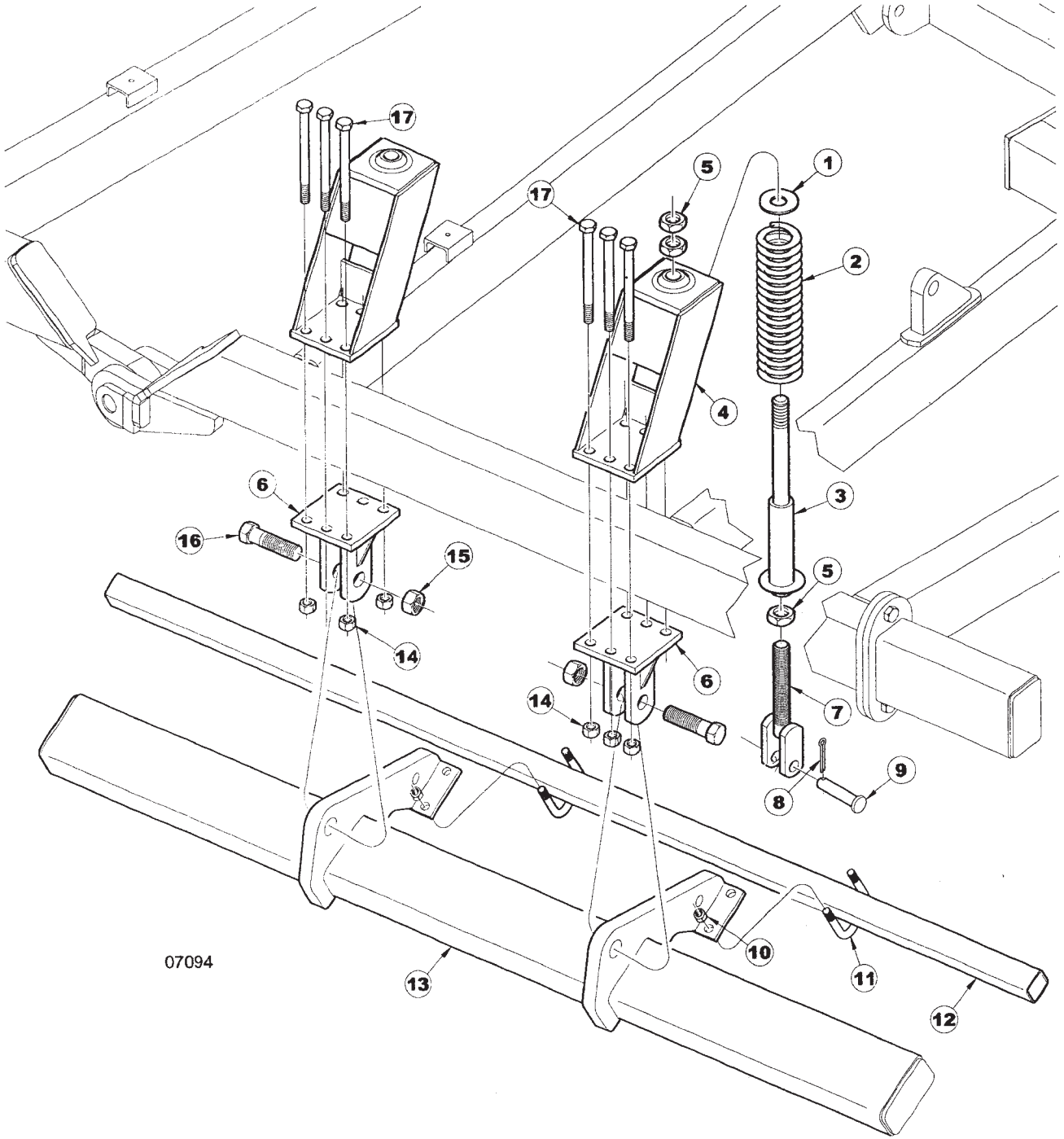
S-TINE SHANK ASSEMBLY (2 PIECE)

ITEM	NUMBER	QTY	DESCRIPTION
1	SN329		HEX BOLT, 1/2"-13 X 6"
2	SN2096		LOCK NUT, 1/2"-13 HEX NYLON INSERT
3	SN12257		SHANK, 5/8" X 1 3/4" X 24", FLAT
4	SN302		LOCKWASHER, 7/16" SPLIT TYPE MED, Y/D
5	SN303		HEX NUT, 7/16"-14 FULL, GR 2, Y/D
6	SN305		FLAT WASHER, 7/16", Y/D
7	SN3048		SWEEP, 10" PLAIN (47 DEG)
8	SN3050		PLOW BOLT, 7/16"-14 X 1 1/2", GR 5, Y/D
9	SN7530		HEX BOLT, 5/8"-11 X 2 1/4" GR 5, Y/D
10	SN7453		SPRING CLAMP, S-TINE
11	SN669-1		LOCK NUT, 5/8" HEX NYLON INSERT, GR 5, Y/D
12	SN7528B		S-TINE CLAMP
	SN12375		SHANK ASSY, S-TINE 2 PIECE (ITEMS 1-3 & 9-12)

I0007184
PR: t05g29h00b0018

6433 SPLIT WING LAND FINISHER
SERVICE PARTS

STANDARD GANG BAR MOUNT ASSEMBLY



07094

6433 SPLIT WING LAND FINISHER
SERVICE PARTS

43

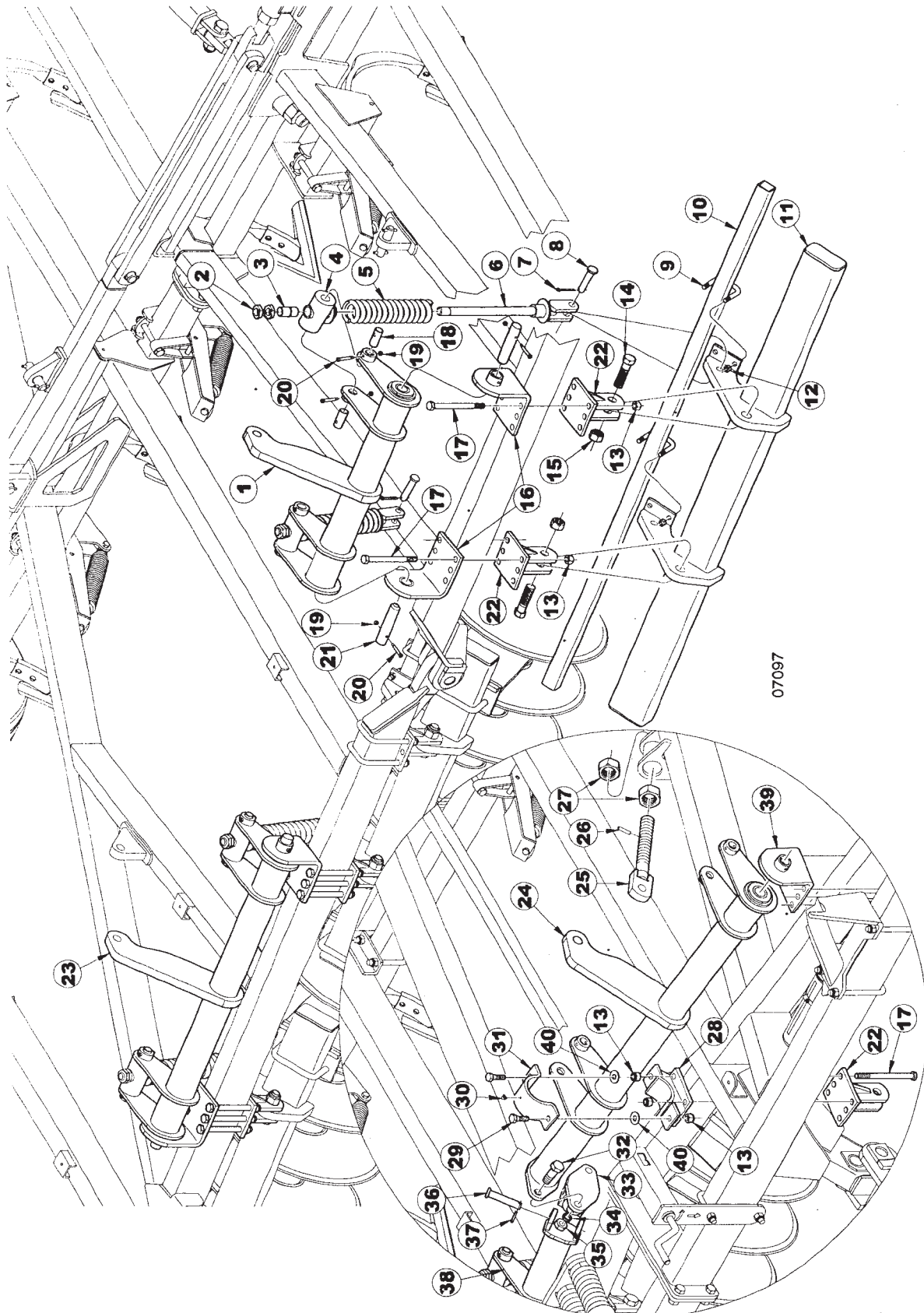
STANDARD GANG BAR MOUNT ASSEMBLY

ITEM	NUMBER	QTY	DESCRIPTION
1	SN245		FLAT WASHER, 1" WIDE RIM, Y/D
2	SN3335		SPRING
3	SN3336		SPRING ADJUSTMENT SCREW, 6000
4	SN3334		GANG BAR SPRING MOUNT
5	SN1849		JAM NUT, 1"-8 HEX, GR 2, Y/D
6	SN3333		GANG BAR MOUNT, 6000
7	SN3337		GANG BAR THREADED CLEVIS, Y/D
8	SN1609		COTTER PIN, 3/16" X 1 1/2"
9	SN3370		PIN, 3/4" X 2 1/2" (2 1/8") SPCL,
10	SN2096		LOCK NUT, 1/2"-13 HEX NYLON INSERT
11	SN3199		U-BOLT, 1/2"-13 X 3" X 2 3/4" W, GR 5, Y/D
12	SN12246R		SCRAPER BAR, 73", 1 3/4" SQUARE
	SN3207		SCRAPER BAR, 51", 1 3/4"
	SN3208		SCRAPER BAR, 59 1/2", 1 3/4" SQUARE
13	SN12252R		GANG BAR, 66 1/2" LEFT OUTER
	SN12248R		GANG BAR, 45 3/8" LEFT INNER
	SN12250R		GANG BAR, 68 1/4" LEFT CENTER
	SN12249R		GANG BAR, 68 1/4" RIGHT CENTER
	SN12247R		GANG BAR, 45 3/8" RIGHT INNER
	SN12251R		GANG BAR, 66 1/2" RIGHT OUTER
	SN12259R		GANG BAR, 51 1/2" LEFT OUTER
	SN12258R		GANG BAR, 51 1/2" RIGHT OUTER
14	SN669-1		LOCK NUT, 5/8" HEX NYLON INSERT, GR 5, Y/D
15	SN3938		LOCK NUT, 1"-8 HEX NYLON INSERT, GR2,Y/D
16	SN155		HEX BOLT, 1"-8 X 3 1/2", GR 5 Y/D
17	SN2558		HEX BOLT, 5/8"-11 X 7", GR5, Y/D (WINGS)
	SN2570		HEX BOLT, 5/8"-11 X 8", GR5 Y/D (CENTER)

I0007094
PR: t05g29h00b0019

6433 SPLIT WING LAND FINISHER
SERVICE PARTS

HYDRAULIC DISC GANG ASSEMBLY



**6433 SPLIT WING LAND FINISHER
SERVICE PARTS**

45

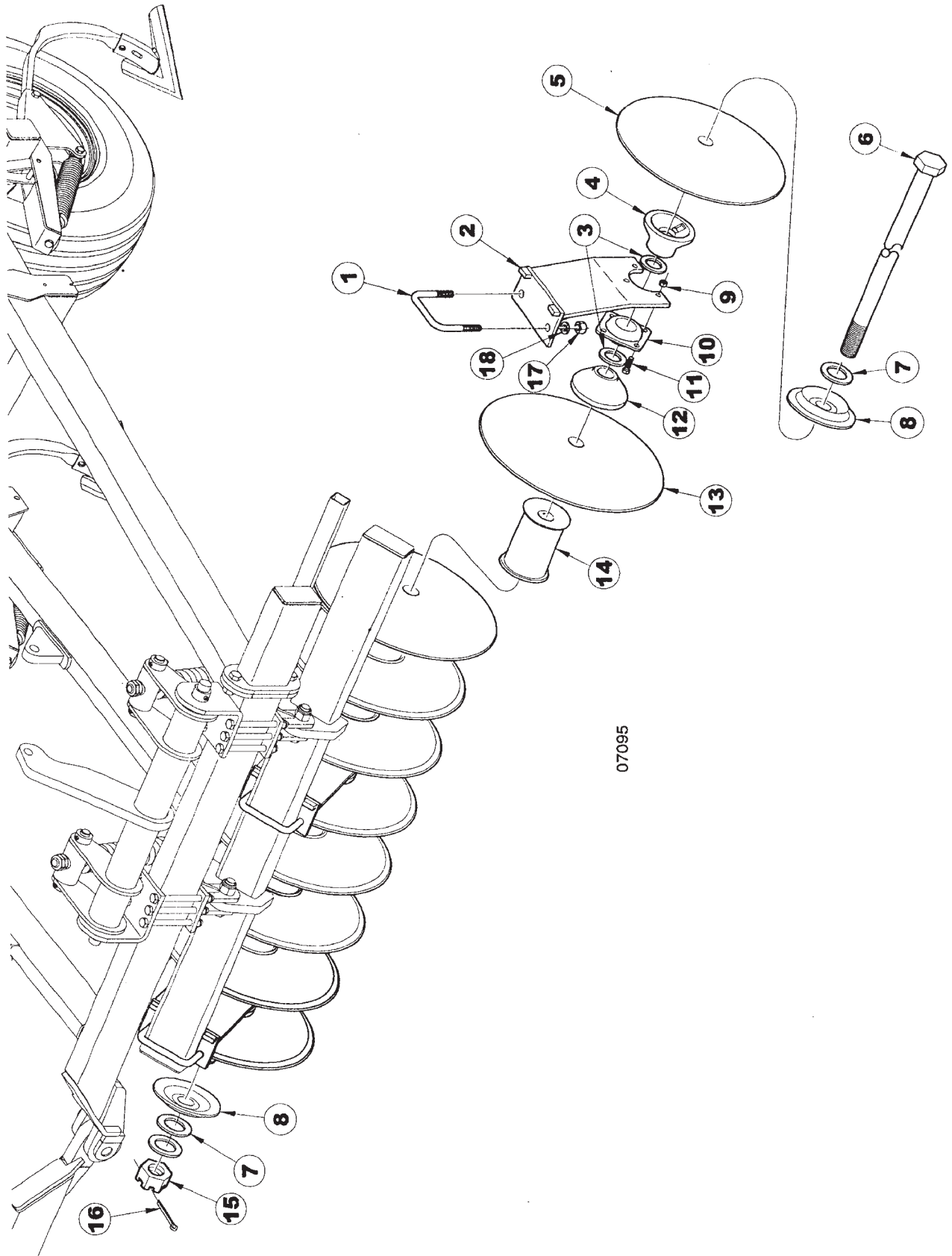
HYDRAULIC DISC GANG ASSEMBLY

ITEM	NUMBER	QTY	DESCRIPTION
1	SN12262R		LIFT, WING 40' & 43' RT/LT OUTER HYDGANG
2	SN1849		JAM NUT, 1"-8 HEX, GR 2, Y/D
3	SN12328		BUSHING, 1" ID, IGUS
4	SN12330R		SPRING TUBE
5	SN3335		SPRING
6	SN12329		SPRING ROD, Y/D
7	SN1609		COTTER PIN, 3/16" X 1 1/2"
8	SN3370		PIN, 3/4" X 2 1/2" (2 1/8") SPCL,
9	SN3199		U-BOLT, 1/2"-13 X 3" X 2 3/4" W, GR 5, Y/D
10	SN12246R		SCRAPER BAR, 73", 1 3/4" SQUARE
	SN3207		SCRAPER BAR, 51", 1 3/4"
	SN3208		SCRAPER BAR, 59 1/2", 1 3/4" SQUARE
11	SN12252R		GANG BAR, 66 1/2" LEFT OUTER
	SN12248R		GANG BAR, 45 3/8" LEFT INNER
	SN12250R		GANG BAR, 68 1/4" LEFT CENTER
	SN12249R		GANG BAR, 68 1/4" RIGHT CENTER
	SN12247R		GANG BAR, 45 3/8" RIGHT INNER
	SN12251R		GANG BAR, 66 1/2" RIGHT OUTER
	SN12259R		GANG BAR, 51 1/2" LEFT OUTER
	SN12258R		GANG BAR, 51 1/2" RIGHT OUTER
12	SN2096		LOCK NUT, 1/2"-13 HEX NYLON INSERT
13	SN669-1		LOCK NUT, 5/8" HEX NYLON INSERT, GR 5, Y/D
14	SN155		HEX BOLT, 1"-8 X 3 1/2", GR 5 Y/D
15	SN3938		LOCK NUT, 1"-8 HEX NYLON INSERT, GR2,Y/D
16	SN12266		MOUNT, BEARING 4 3/8", HYD LIFT
17	SN2558		HEX BOLT, 5/8"-11 X 7", GR5, Y/D (WINGS)
	SN2570		HEX BOLT, 5/8"-11 X 8", GR5 Y/D (CENTER)
18	SN3161		PIN, 1" X 2 1/4" (1 9/16"), Y/D
19	SN3881		LOCK NUT, 1/4"-20 HEX NYLON INSERT, GR 2, Y/D
20	SN3880		SHOULDER BOLT, 5/16" X 1 3/4", GR8 EQUIV
21	SN5942		PIN, 1 1/4" X 5 3/8"
22	SN3333		GANG BAR MOUNT, 6000
23	SN12263R		LIFT, WING 40' & 43' RT/LT INNER HYDGANG
24	SN12265R		LIFT, CENTER 40' & 43' LEFT HYD GANG
25	SN12347		CYLINDER, ADJUSTABLE BLOCK, Y/D
26	SN4623		GUIDE PIN, Y/D
27	SN1978		HEX NUT, 1 1/2"-6 FULL, GR 2, Y/D
28	SN5476		BEARING MOUNT
29	SN670		HEX BOLT, 5/8"-11 X 2", GR 5, Y/D
30	SNZK142890		GREASE ZERK, 1/4"-28 90 DEG
31	SN5487		BEARING CAP
32	SN1220		HEX BOLT, 3/4"-10 X 2", GR 5 Y/D
33	SN12261R		PIVOT BLOCK
34	SN1040		LOCK WASHER,3/4" SPLIT TYPE MED,Y/D
35	SN106		HEX NUT, 3/4"-10 FULL, GR 5, Y/D
36	SN1813		PIN, 1" X 5" (4 1/2") CLEVIS, Y/D
37	SN3164		ROLL PIN, 5/16" X 2" SPIRAL MEDIUM DUTY, Y/D
38	SN12264R		LIFT, CENTER 40' & 43'RIGHT HYD GANG
39	SN7469		BEARING MOUNT, HYD LIFT
40	SNFK150283		FLAT WASHER, 5/8" SAE, Y/D

I0007097
PR: t05g29h00b0020

6433 SPLIT WING LAND FINISHER
SERVICE PARTS

DISC GANG ASSEMBLY



07095

**6433 SPLIT WING LAND FINISHER
SERVICE PARTS**

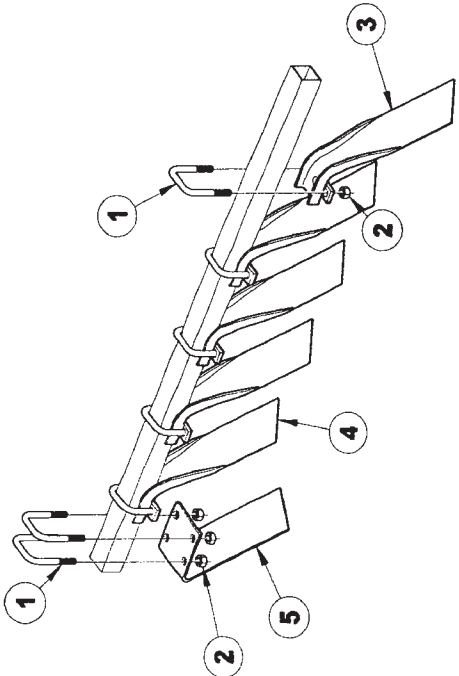
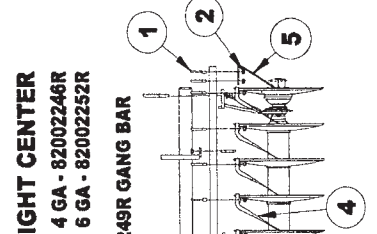
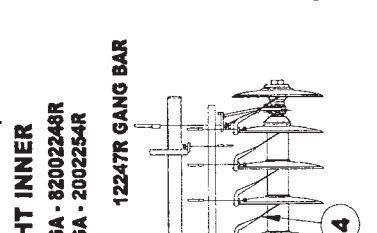
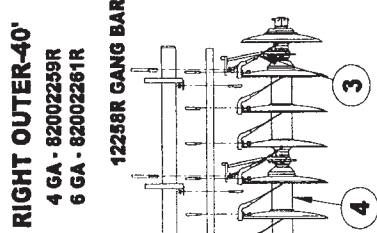
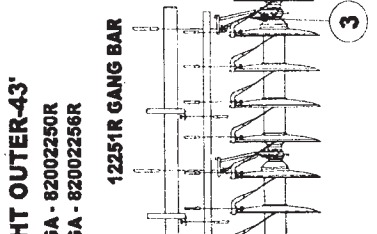
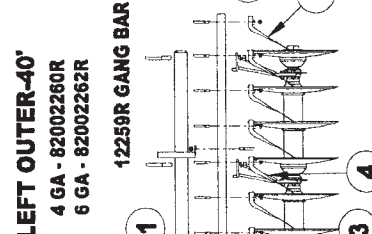
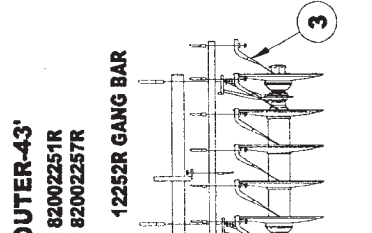
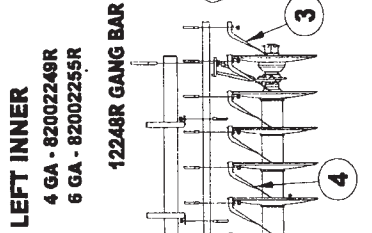
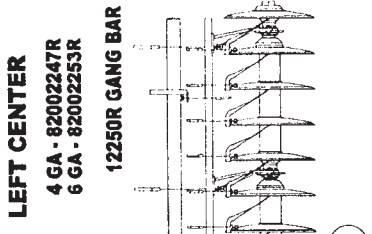
47

DISC GANG ASSEMBLY

ITEM	NUMBER	QTY	DESCRIPTION
1	SN2563		U-BOLT, 3/4"-10 X 5" X 5 13/16" W, GR 5, Y/D
2	SN2528-1		BEARING STANDARD (WELDED)
3	SN4886		WASHER, 1.765" ID X 2 1/4" OD X 1/16" THICK, Y/D
4	SN3107		SPOOL, LONG BEARING, 7 1/2"
5	SN3283N		BLADE, 18", 1 3/4" BORE, 4 GA, 1 3/4" CONCAVITY
6	SN2132		SHAFT, 74", 1 3/4" DIA
	SN2866		SHAFT, 51 1/4", 1 3/4" DIA
	SN3004		SHAFT, 73 1/2", 1 3/4" DIA
	SN3942		SHAFT, 51 3/4", 1 3/4" DIA
	SN3945		SHAFT, 59 1/2", 1 3/4" DIA
	SN5558		SHAFT, 59", 1 3/4" DIA
7	SN2037		FLAT WASHER, 1 13/16" ID X 2 13/16" OD X 1/4" THICK, Y/D
8	SN2723B		SPRING END COLLAR, 1 3/4" BORE
9	SN2096		LOCK NUT, 1/2"-13 HEX NYLON INSERT
10	SN3215		FLANGETTE BEARING, 1 3/4" BORE
11	SN194		HEX BOLT, 1/2"-13 X 1 1/2", GR 5, Y/D, USA
12	SN2816		SPOOL, SHORT BEARING, 1 3/4" BORE
13	SN4661N		BLADE, 20", 1 3/4" BORE, 6 GA, 1 5/16" CONCAVITY
	SN4662N		BLADE, 20", 1 3/4" BORE, 4 GA, 1 5/16" CONCAVITY
14	SN5539		SPOOL, FULL, 7 1/2"
15	SN2036		HEX NUT, 1 3/4"-5 SLOTTED
16	SN108		COTTER PIN, 5/16" X 2 1/2", Y/D
17	SN106		HEX NUT, 3/4"-10 FULL, GR 5, Y/D
18	SN1040		LOCK WASHER, 3/4" SPLIT TYPE MED, Y/D

I0007095
PR: t05g29h00b0021

SCRAPER ASSEMBLY



NOTE: POSITION SCRAPER BLADES NEXT TO DISC BLADES AS CLOSE AS POSSIBLE WITHOUT TOUCHING

6433 SPLIT WING LAND FINISHER
SERVICE PARTS

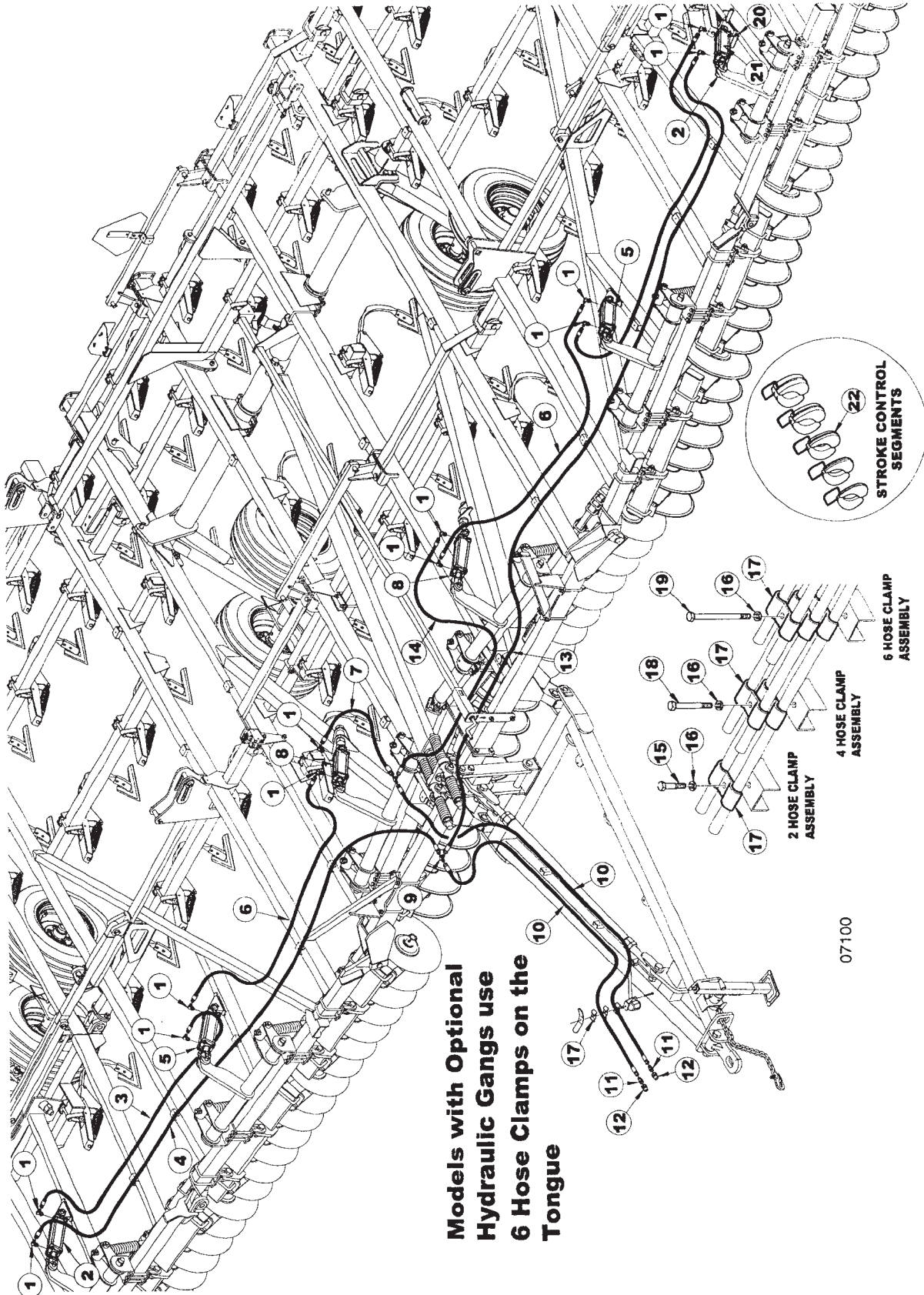
49

SCRAPER ASSEMBLY

ITEM	NUMBER	QTY	DESCRIPTION
1	SN3199		U-BOLT, 1/2"-13 X 3" X 2 3/4" W, GR 5, Y/D
2	SN2096		LOCK NUT, 1/2"-13 HEX NYLON INSERT
3	SN5488		SCRAPER W/SCRAPER CLIP, RIGHT
	SN5489		SCRAPER W/SCRAPER CLIP, LEFT (SHOWN)
4	SN3195		SCRAPER W/SCRAPER CLIP, RIGHT
	SN3196		SCRAPER W/SCRAPER CLIP, LEFT (SHOWN)
5	SN5467		SCRAPER, RIGHT
	SN5468		SCRAPER, LEFT (SHOWN)

I0007096
PR: t05g29h00b0022

HYDRAULIC DISC GANG HYDRAULICS ASSEMBLY



Models with Optional Hydraulic Gangs use 6 Hose Clamps on the Tongue

07100

6433 SPLIT WING LAND FINISHER

51

SERVICE PARTS

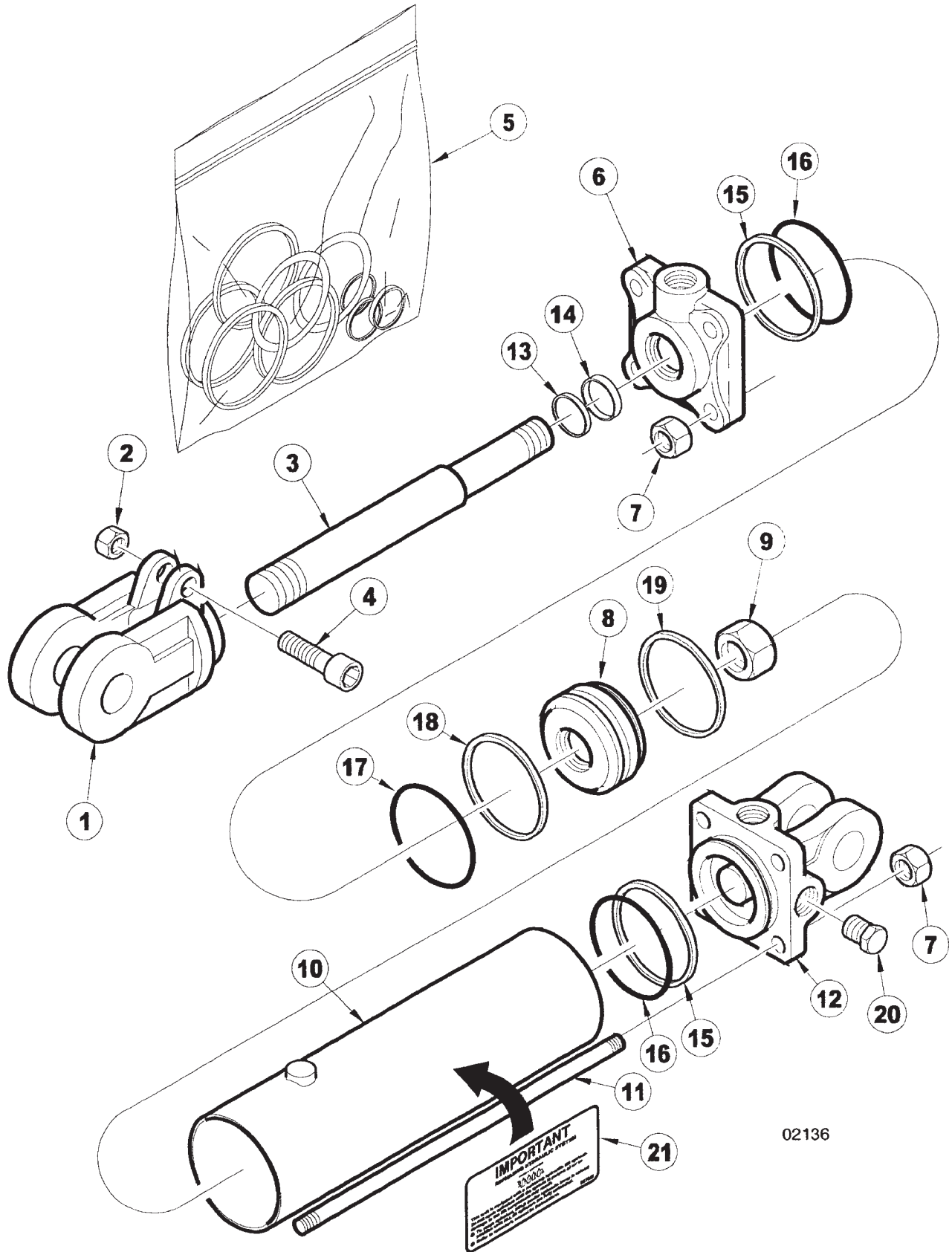
HYDRAULIC DISC GANG HYDRAULICS ASSEMBLY

ITEM	NUMBER	QTY	DESCRIPTION
1	SN4455		90 DEG STR THD ELBOW, 3/4"-16 MF X 3/4"-16 MOR W/1/16" REST
2	SN12061		CYLINDER, 3 1/2" X 8" SLAVE (20 1/4"CPC) ORB CROSS, 3000 PSI
3	SN4109002		HOSE, 3/8" X 109" L, FEMALE ENDS
4	SN4215002		HOSE, 3/8" X 215" L, FEMALE ENDS
5	SN12059		CYLINDER, 3 3/4" X 8" SLAVE (20 1/4"CPC) ORB CROSS, 3000 PSI
6	SN4102002		HOSE, 3/8" X 102" L, FEMALE ENDS
7	SN4036002		HOSE, 3/8" X 36" L, FEMALE ENDS
8	SN12047		CYLINDER, 4" X 8" MASTER W/O STR CON (20 1/4" CPC) ORB CROSS, 3000
9	SN2429		UNION TEE, 3/4"-16 MF
10	SN4176002		HOSE, 3/8" X 176" L, FEMALE ENDS
11	SN2425		MALE CONNECTOR, 3/4"-16 MF X 1/2-14 MPT
12	SN3253		HYDRAULIC COUPLER, MALE HALF
13	SN4260002		HOSE, 3/8" X 260" L, FEMALE ENDS
14	SN4086002		HOSE, 3/8" X 86" L, FEMALE ENDS
15	SN175		HEX BOLT, 3/8"-16 X 1 1/2", GR 5, Y/D
16	SN176		LOCK WASHER, 3/8" SPLIT TYPE MED, Y/D
17	SN5302		PIPE CLAMP, 3/8" BOLT HOLE, Y/D
18	SN2487		HEX BOLT, 3/8"-16 X 2 1/2", GR 5, Y/D
19	SN3565		HEX BOLT, 3/8"-16 X 3 1/2", GR 5, Y/D
20	SN5339		PIN, 1" X 4 1/16" (3"), Y/D
21	SN3164		ROLL PIN, 5/16" X 2" SPIRAL MEDIUM DUTY, Y/D
22	SN3451		STROKE CONTROL KIT, (1/4", 3/8" 1/2", 3/4", 1")

I0007100
PR: t05g29h00b0023

6433 SPLIT WING LAND FINISHER
SERVICE PARTS

3 3/4" X 8" HYDRAULIC CYLINDER 12059R



02136

6433 SPLIT WING LAND FINISHER
SERVICE PARTS

53

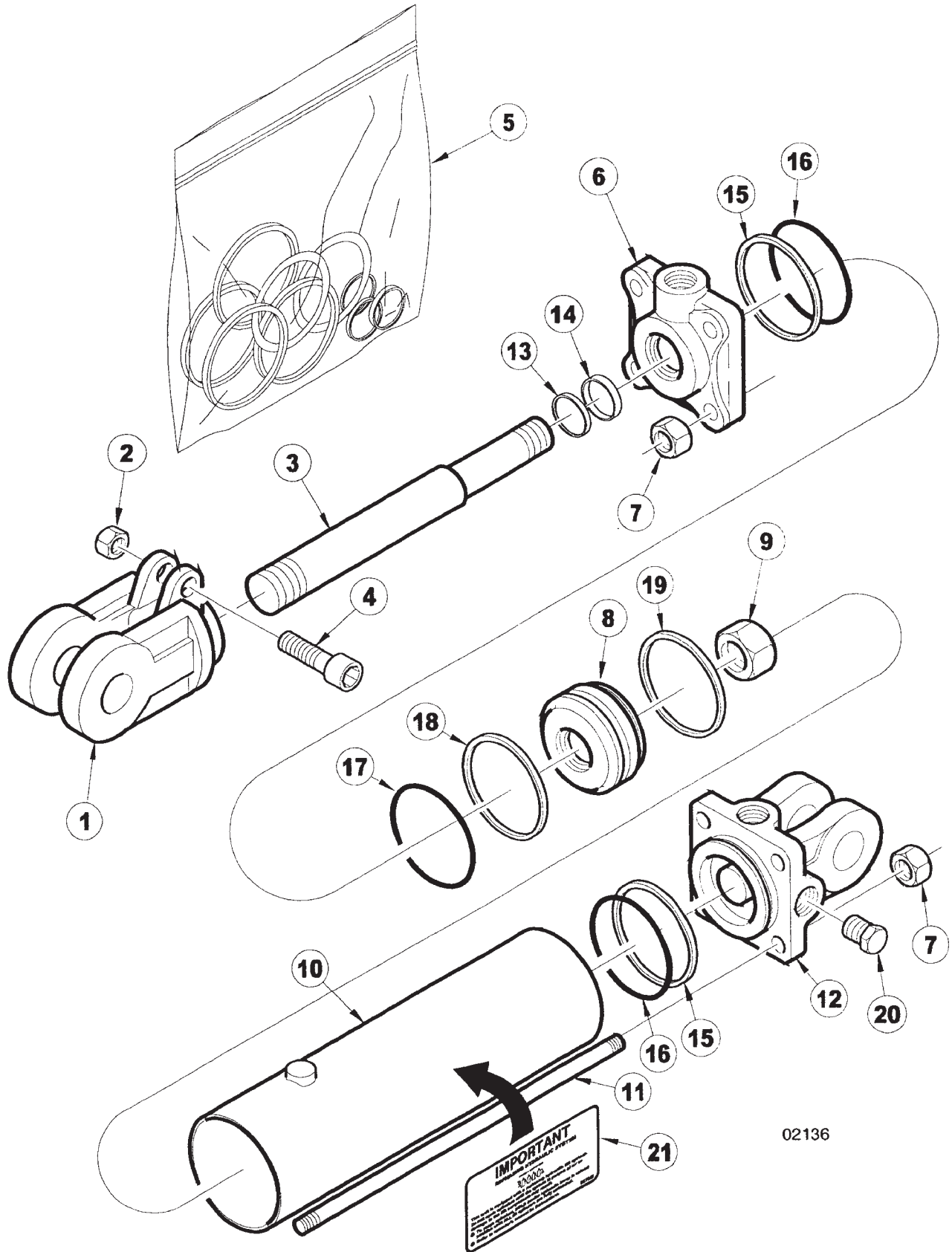
3 3/4" X 8" HYDRAULIC CYLINDER 12059R

ITEM	NUMBER	QTY	DESCRIPTION
1	SN8610-1		CLEVIS, 1 1/4" THREADS, 1" PIN W/BUSHING CROSS
2	SN8671-1		CAPSCREW NUT, 5/16" THREADS CROSS
3	SN12055		ROD, 1 3/8" DIA, 8" REPHASING, CROSS
4	SN8631-1		CAPSCREW, CROSS
5	SN8776-1		SEAL KIT, 3 3/4", 1 3/8" ROD, REPHASING CROSS
6	SN8736-10		HEAD, 3 3/4", 1 3/8" ROD
7	SN8864-1		TIE ROD NUT, 5/8" THREADS
8	SN8655-1		PISTON, 3 3/4" W/1" HOLE REPHASING,CROSS
9	SN8683-1		PISTON NUT, 1" CROSS
10	SN8827-1		TUBE, 3 3/4" X 8" REPHASING CROSS E
11	SN12033		TIE ROD BOLT, 8" CROSS
12	SN8656-10		BASE, 3 3/4" (ORB), 1" PIN REPHASING, CROSS
13			* WIPER
14			* U-CUP
15			* BACKUP
16			* O-RING
17			* O-RING
18			* TEFLON RING
19			* WEAR RING
20	SN4458		PLUG, 3/4"-16 MOR
21	SN997052		SYSTEMS MUST BE BLED OF AIR NOTE*AVAILABLE IN THE SEAL KIT ONLY.

I0002136
PR: t05g29h00b0024

6433 SPLIT WING LAND FINISHER
SERVICE PARTS

4" X 8" HYDRAULIC CYLINDER 12047R



02136

6433 SPLIT WING LAND FINISHER
SERVICE PARTS

55

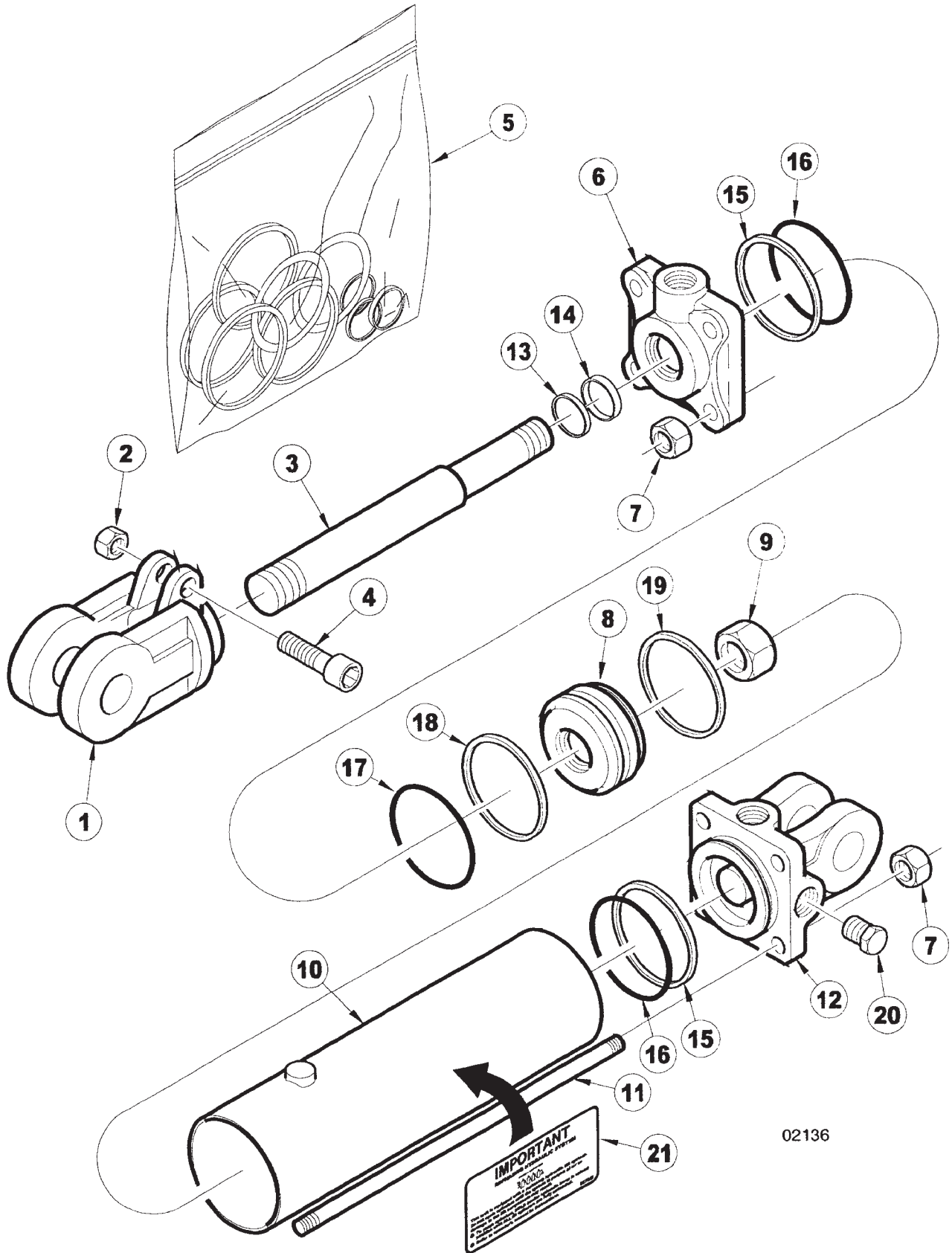
4" X 8" HYDRAULIC CYLINDER 12047R

ITEM	NUMBER	QTY	DESCRIPTION
1	SN8610-1		CLEVIS, 1 1/4" THREADS, 1" PIN W/BUSHING CROSS
2	SN8671-1		CAPSCREW NUT, 5/16" THREADS CROSS
3	SN12055		ROD, 1 3/8" DIA, 8" REPHASING, CROSS
4	SN8631-1		CAPSCREW, CROSS
5	SN8781-1		SEAL KIT, 4", 1 3/8" ROD
6	SN8739-10		HEAD, 4" 1 3/8" ROD, REPHASING CROSS
7	SN8864-1		TIE ROD NUT, 5/8" THREADS
8	SN8653-1		PISTON, 4" W/1" HOLE, REPHASING CROSS
9	SN8683-1		PISTON NUT, 1" CROSS
10	SN8830-1		TUBE, 4" X 8" REPHASING CROSS
11	SN12033		TIE ROD BOLT, 8" CROSS
12	SN8670-10		BASE, 4" (ORB) CROSS
13			* WIPER
14			* U-CUP
15			* BACKUP
16			* O-RING
17			* O-RING
18			* TEFLON RING
19			* WEAR RING
20	SN4458		PLUG, 3/4"-16 MOR
21	SN997052		SYSTEMS MUST BE BLED OF AIR NOTE*AVAILABLE IN THE SEAL KIT ONLY.

I0002136
PR: t05g29h00b0025

6433 SPLIT WING LAND FINISHER
SERVICE PARTS

3 1/2" X 8" HYDRAULIC CYLINDER 12061R



02136

6433 SPLIT WING LAND FINISHER
SERVICE PARTS

57

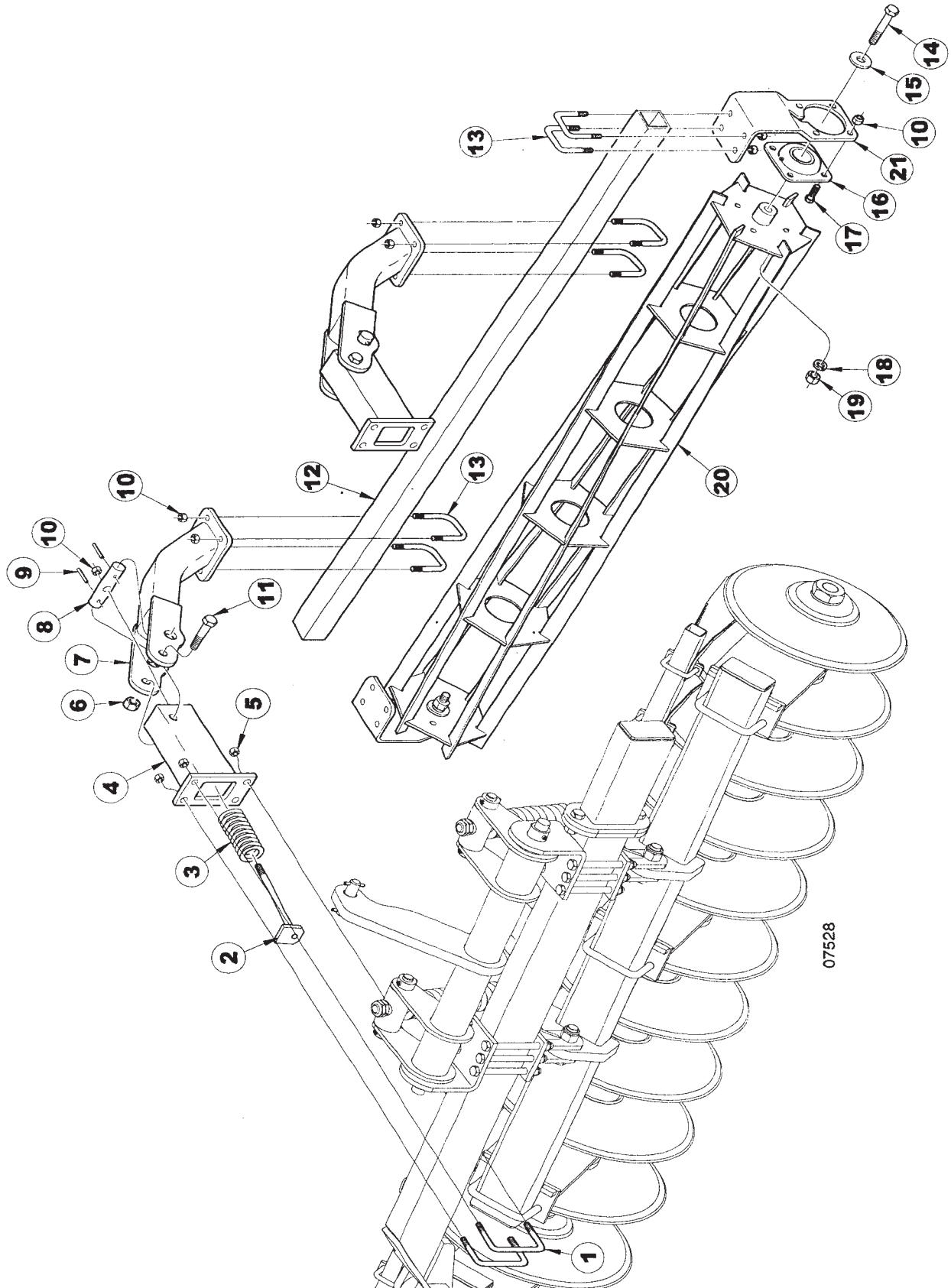
3 1/2" X 8" HYDRAULIC CYLINDER 12061R

ITEM	NUMBER	QTY	DESCRIPTION
1	SN8610-1		CLEVIS, 1 1/4" THREADS, 1" PIN W/BUSHING CROSS
2	SN8671-1		CAPSCREW NUT, 5/16" THREADS CROSS
3	SN12062		ROD, 1 1/4" DIA, 8" REPHASING CROSS
4	SN8631-1		CAPSCREW, CROSS
5	SN8775-1		SEAL KIT, 3 1/2", 1 1/4" ROD, REPHASING CROSS
6	SN8657-10		HEAD, 3 1/2", 1 1/4" ROD REPHASING, CROSS (ORB)
7	SN8863-1		TIE ROD NUT, 9/16" THREADS CROSS ING CROSS
8	SN8660-1		PISTON, 3 1/2" W/1" HOLE REPHASING,CROSS
9	SN8683-1		PISTON NUT, 1" CROSS
10	SN12063		TUBE, 3 1/2" X 8" REPHASING CROSS
11	SN12064		TIE ROD BOLT, 3 1/2" X 8" CROSS
12	SN8927-10		BASE, 3 1/2" (ORB 1" PIN) REPHASING, CROSS
13			* WIPER
14			* U-CUP
15			* BACKUP
16			* O-RING
17			* O-RING
18			* TEFLON RING
19			* WEAR RING
20	SN4458		PLUG, 3/4"-16 MOR
21	SN997052		SYSTEMS MUST BE BLED OF AIR NOTE*AVAILABLE IN THE SEAL KIT ONLY.

I0002136
PR: t05g29h00b0026

6433 SPLIT WING LAND FINISHER
SERVICE PARTS

DISC GANG REEL ASSEMBLY



07528

**6433 SPLIT WING LAND FINISHER
SERVICE PARTS**

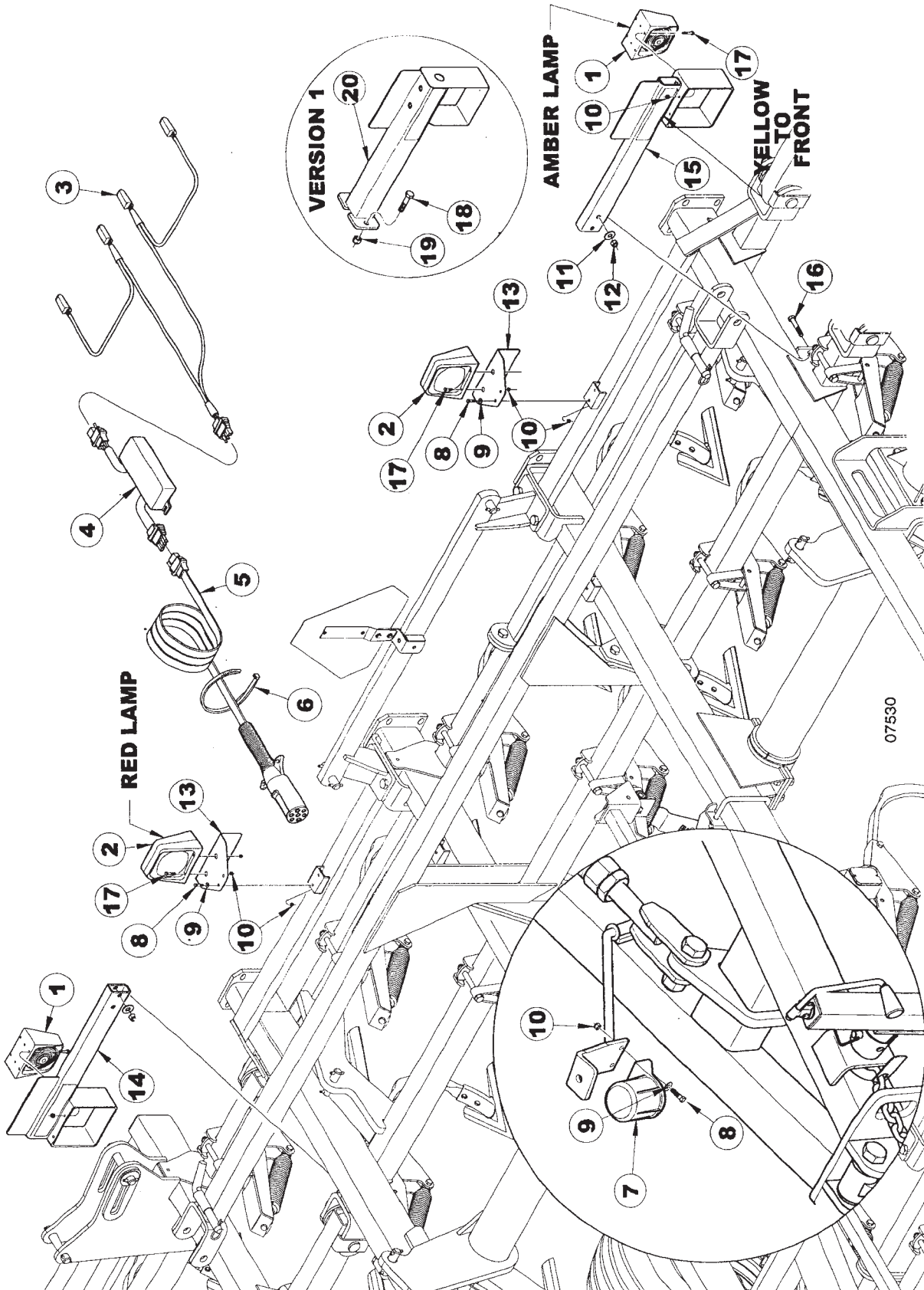
59

DISC GANG REEL ASSEMBLY

ITEM	NUMBER	QTY	DESCRIPTION
1	SN2815		U-BOLT, 5/8"-11 X 4 1/2" X 5 11/16"W, GR 5, Y/D (WINGS)
	SN7053		U-BOLT, 5/8"-11 X 4 1/2" X 6 11/16"W, Y/D (CENTER FRAME)
2	SN7048		SPRING ROD
3	SNFK361002		SPRING, 1.8125" OD X 1.062"ID,2 5/8"
4	SN7051		REEL MOUNT, FOR 5" TUBE (WINGS)
	SN7052		REEL MOUNT, FOR 6" TUBE (CENTER FRAME)
5	SN669-1		LOCK NUT, 5/8" HEX NYLON INSERT, GR 5, Y/D
6	SNHEN3410		LOCK NUT, 3/4" HEX NYLON INSERT, Y/D
7	SN7585		REEL ARM
8	SN7049		PIN, 1 1/4" X 5 1/4" L, Y/D
9	SN3164		ROLL PIN, 5/16" X 2" SPIRAL MEDIUM DUTY, Y/D
10	SN2096		LOCK NUT, 1/2"-13 HEX NYLON INSERT
11	SN1021		HEX BOLT, 3/4"-10 X 5 1/2",GR 5, Y/D
12	SN3643		GANG BAR, 60"
	SN3644		GANG BAR, 75"
	SN12260R		GANG BAR, 97"
13	SN3619		U-BOLT, 1/2"-13 X 3 5/8" X 3" W, GR5,Y/D
14	SN1599		HEX BOLT, 3/4"-10 X 4", GR 5, Y/D
15	SN3613		FLAT WASHER, 7/8" ID X 2 1/8" OD X 1/4" THICK, Y/D
16	SN3215		FLANGETTE BEARING, 1 3/4" BORE
17	SN194		HEX BOLT, 1/2"-13 X 1 1/2",GR 5, Y/D,USA
18	SN1040		LOCK WASHER,3/4" SPLIT TYPE MED,Y/D
19	SN106		HEX NUT, 3/4"-10 FULL, GR 5, Y/D
20	SN10057		REEL, 41 1/4"
	SN10058		REEL, 48 3/4"
	SN10059B		REEL, 56 1/4"
	SN10061		REEL, 71 1/4"
21	SN140		HEX BOLT, 1/2"-13 X 4 1/2", GR 5,Y/D
22	SN9917		BEARING STANDARD

I0007528
PR: t05g29h00b0027

LIGHT KIT ASSEMBLY



**6433 SPLIT WING LAND FINISHER
SERVICE PARTS**

61

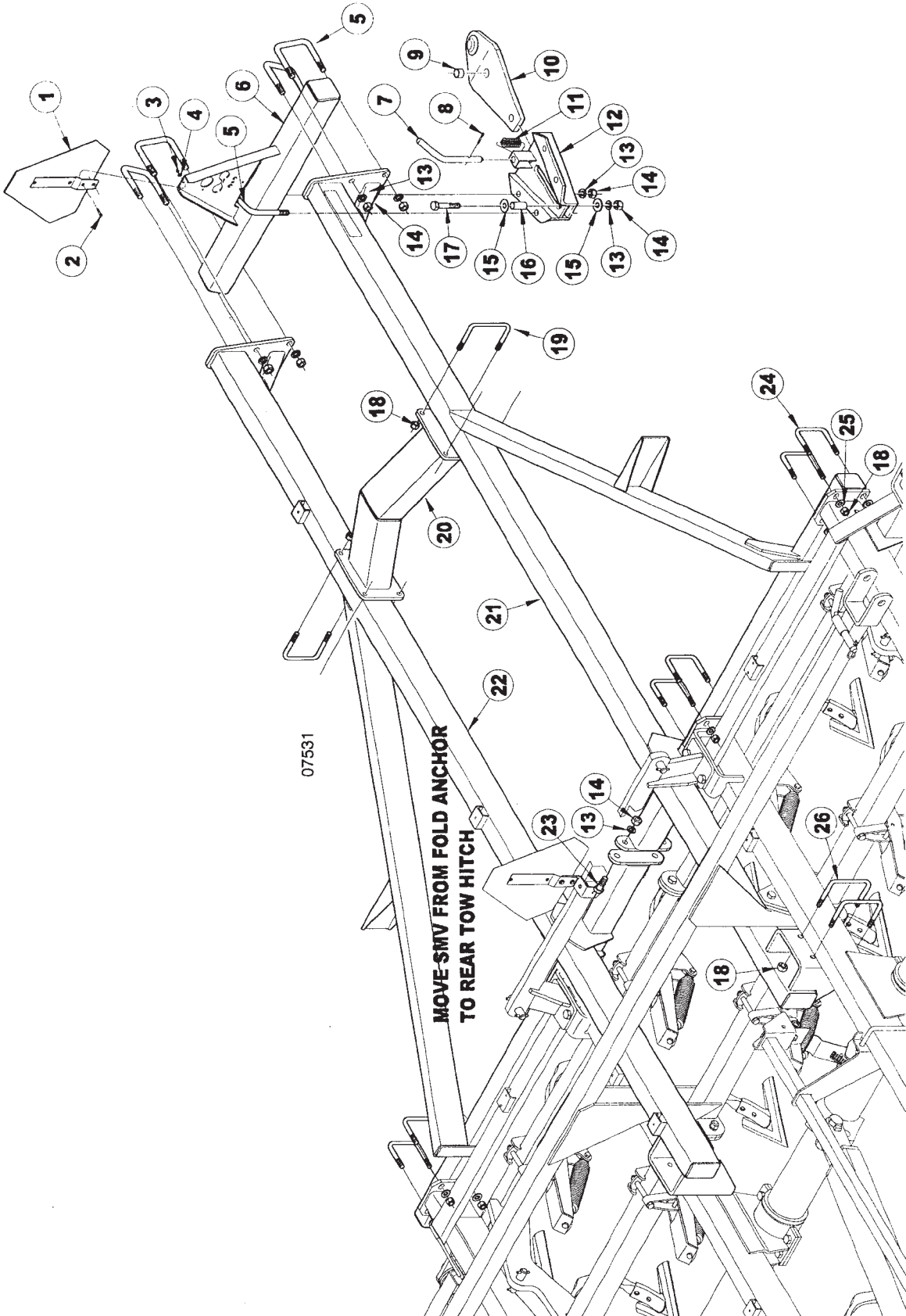
LIGHT KIT ASSEMBLY

ITEM	NUMBER	QTY	DESCRIPTION
1	SN10007		LAMP, SINGLE AMBER FRT/REAR
2	SN10486		SINGLE AG LAMP, RED/BLACK W/BRAKE
3	SN10461		HARNESS, AG 8' 6" WISHBONE
4	SN10460		ASSY, AG MODULE
5	SN10394		HARNESS, AG 30' EXTENSION
6	SN2587		PLASTIC HOSE STRAP, 21 1/2" L
7	SN10012		HOLDER, 7-PIN CONNECTOR
8	SN2568		HEX BOLT, 1/4"-20 X 3/4", GR 5 Y/D
9	SN506		FLAT WASHER, 1/4", Y/D
10	SN3881		LOCK NUT, 1/4"-20 HEX NYLON INSERT, GR 2, Y/D
11	SN486		FLAT WASHER, 1/2", Y/D
12	SN669-1		LOCK NUT, 5/8" HEX NYLON INSERT, GR 5, Y/D
13	SN12297		BRACKET, LIGHT
14	SN12481R		ARM, LIGHT RIGHT (VERSION 2, SERIAL #06433L20040018 & LATER)
15	SN12482R		ARM, LIGHT LEFT (VERSION 2, SERIAL #06433L20040018 & LATER)
16	SN670		HEX BOLT, 5/8"-11 X 2", GR 5, Y/D
17	SN2750		HEX BOLT, 1/4"-20 X 1 1/4", GR 2,
18	SN670		HEX BOLT, 5/8"-11 X 2", GR 5, Y/D
19	SN669-1		LOCK NUT, 5/8"-11 HEX NYLON INSERT, GR 5, Y/D
20	SN12339R		ARM, LIGHT LEFT (SHOWN) (VERSION 1, SERIAL #06433L20040017 AND EARLIER)
	SN12338		ARM, LIGHT RIGHT (VERSION 1, SERIAL #06433L20040017 AND EARLIER)
	SN10445		LIGHT KIT W/HARDWARE (ITEMS 1-7)

I0007530
PR: t05g29h00b0028

6433 SPLIT WING LAND FINISHER
SERVICE PARTS

OPTIONAL REAR TOW HITCH W/HITCH SLIDE
& BALL JOINT



6433 SPLIT WING LAND FINISHER
SERVICE PARTS

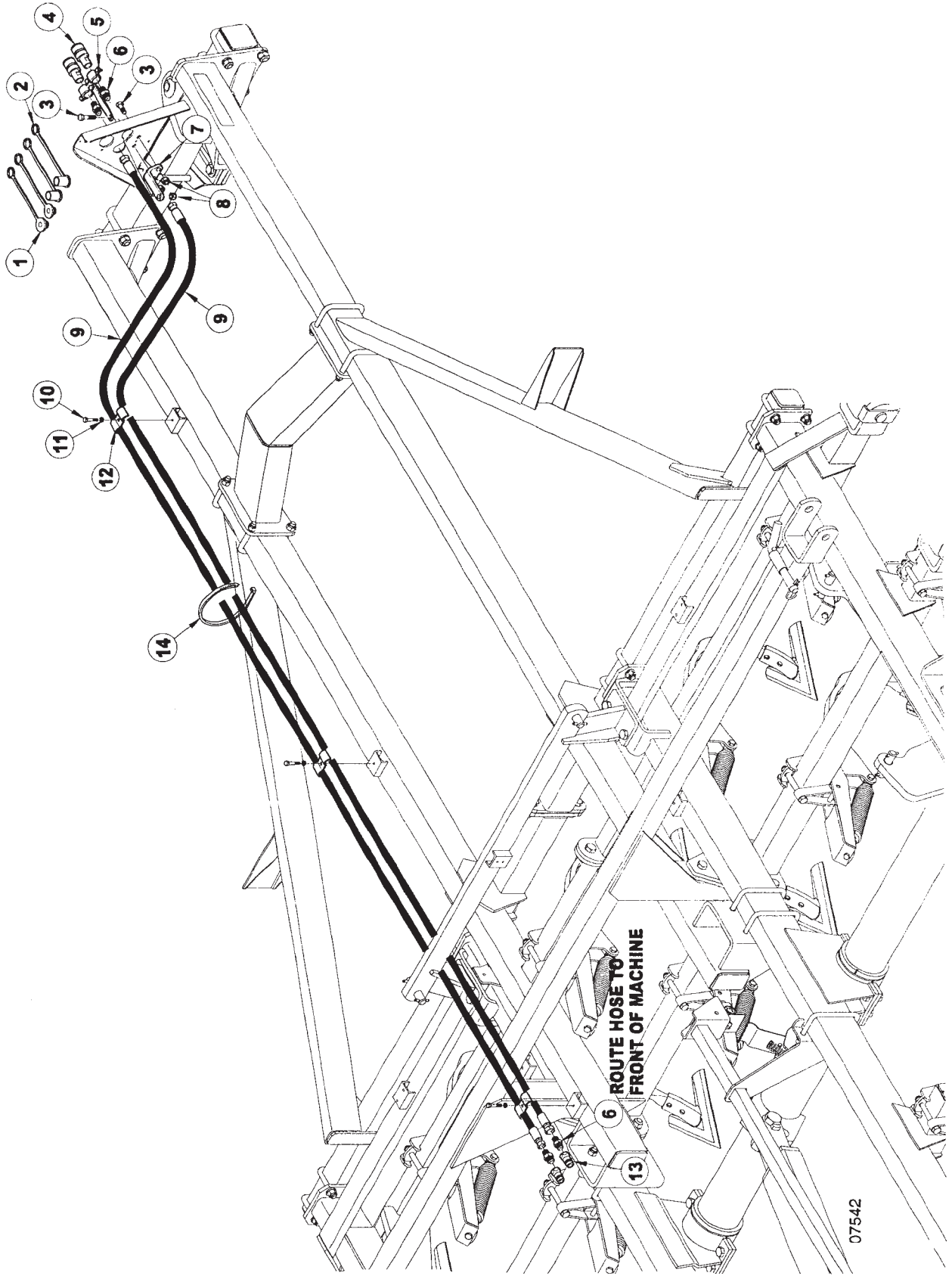
63

**OPTIONAL REAR TOW HITCH W/HITCH SLIDE
& BALL JOINT**

ITEM	NUMBER	QTY	DESCRIPTION
1	SN7001		SMV EMBLEM
2	SN2568		HEX BOLT, 1/4"-20 X 3/4", GR 5 Y/D
3	SN3881		LOCK NUT, 1/4"-20 HEX NYLON INSERT,GR 2, Y/D
4	SN506		FLAT WASHER, 1/4", Y/D
5	SN198		U-BOLT, 3/4"-10 X 5 1/2" X 5" W, GR 5, Y/D
6	SN12611R		HITCH, REAR MOUNT
7	SN3365		PIN, 7/8" SPCL, Y/D
8	SN1609		COTTER PIN, 3/16" X 1 1/2"
9	SN3367		WEAR BUSHING, 1"ID X 1 1/4"OD 3/4" L
10	SN4740		HITCH MOUNT W/BALL JOINT
11	SN3366		HITCH SPRING
12	SN3363		HITCH SLIDE
13	SN1040		LOCK WASHER,3/4" SPLIT TYPE MED,Y/D
14	SN106		HEX NUT, 3/4"-10 FULL, GR 5, Y/D
15	SN893		FLAT WASHER, 3/4" Y/D
16	SN3364		BUSHING, 13/16"ID X 2" L
17	SN105		HEX BOLT, 3/4"-10 X 3 1/2", GR 5,Y/D
18	SN669-1		LOCK NUT, 5/8"-11 HEX NYLON INSERT,
19	SN2815		U-BOLT, 5/8"-11 X 4 1/2" X 5 11/16"W, GR 5, Y/D
20	SN12610R		BRACE, REAR TOW
21	SN12615R		HITCH, REAR TOW, LEFT 34' & 37'
22	SN12614R		HITCH, REAR TOW, RIGHT 34' & 37'
23	SN1220		HEX BOLT, 3/4"-10 X 2", GR 5 Y/D
24	SN3306		U-BOLT, 5/8"-11 X 4 1/2" X 4 5/8" W, GR 5, Y/D
25	SN5810		WASHER, 1 5/16" OD X 11/16" ID .149" THICK, HARDENED, Y/D
26	SN7053		U-BOLT, 5/8"-11 X 4 1/2" X 6 11/16"W, Y/D

I0007531
PR: t05g29h00b0029

OPTIONAL REAR TOW HITCH HYDRAULICS



6433 SPLIT WING LAND FINISHER
SERVICE PARTS

65

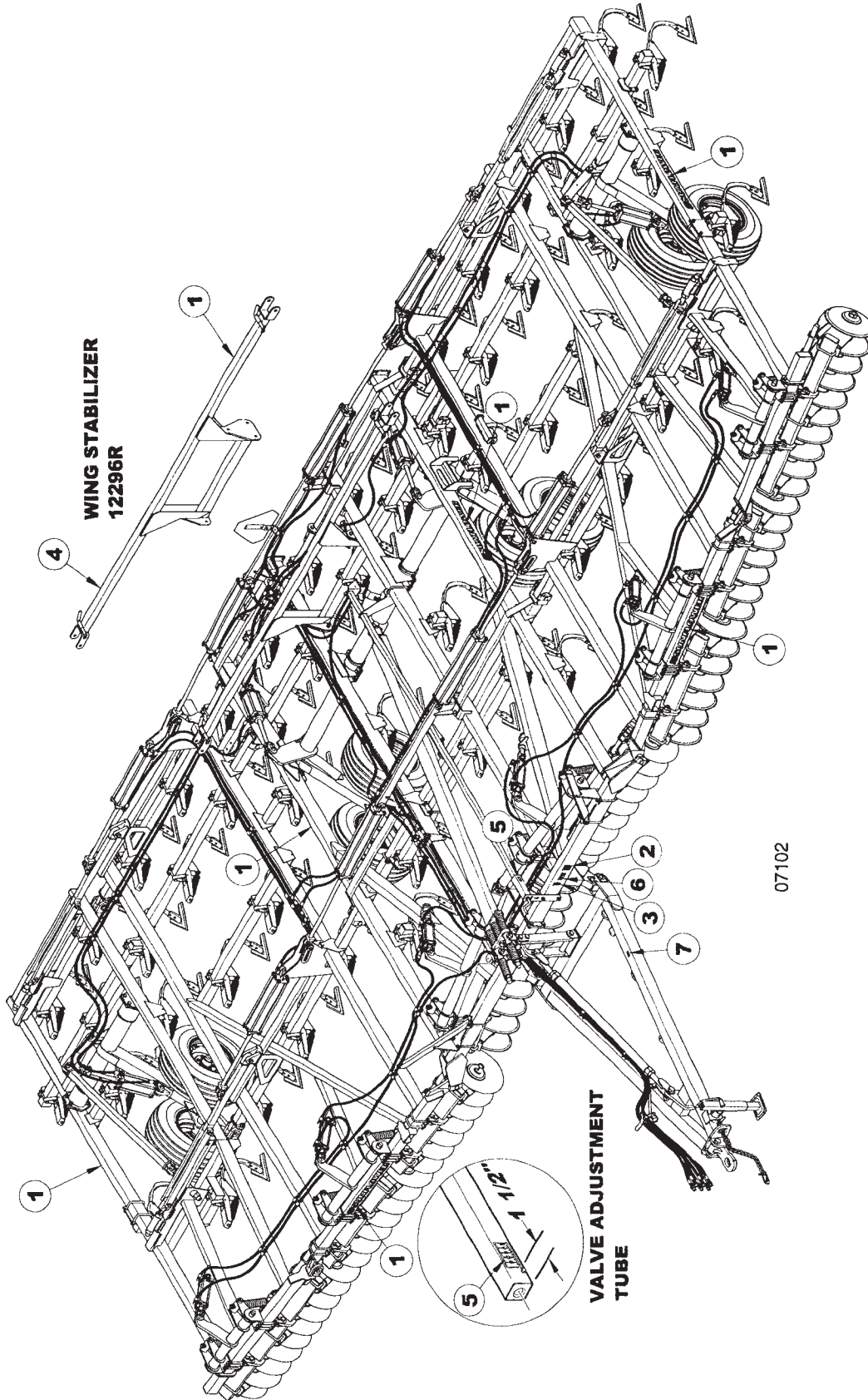
OPTIONAL REARTOW HITCH HYDRAULICS

ITEM	NUMBER	QTY	DESCRIPTION
1	SN10742		HYDRAULIC DUST CAP
2	SN10741		HYDRAULIC DUST PLUG
3	SN1823		HEX BOLT, 1/2"-13 X 1 1/4",GR 5, Y/D
4	SN10739		HYDRAULIC COUPLER, FEMALE THREAD
5	SN10740		HYDRAULIC CLAMP
6	SN2425		MALE CONNECTOR, 3/4"-16 MF X 1/2- 14 MPT
7	SN12609R		MOUNT, HYDRAULIC BREAKAWAY
8	SN2096		LOCK NUT, 1/2"-13 HEX NYLON INSERT, GR 8, Y/D
9	SN4500002		HOSE, 3/8" X 500" L, FEMALE ENDS
10	SN175		HEX BOLT, 3/8"-16 X 1 1/2",GR 5, Y/D
11	SN173		ON COULTER SHANK
12	SN5302		PIPE CLAMP, 3/8" BOLT HOLE, Y/D
13	SN3253		HYDRAULIC COUPLER, MALE HALF
14	SN2587		PLASTIC HOSE STRAP, 21 1/2" L
	SN10738		HYDRAULIC COUPLER BREAKAWAY KIT (ITEMS 1, 2, 4, 5, & 13)

I0007542
PR: t05g29h00b0030

6433 SPLIT WING LAND FINISHER
SERVICE PARTS

DECAL PLACEMENT



**6433 SPLIT WING LAND FINISHER
SERVICE PARTS**

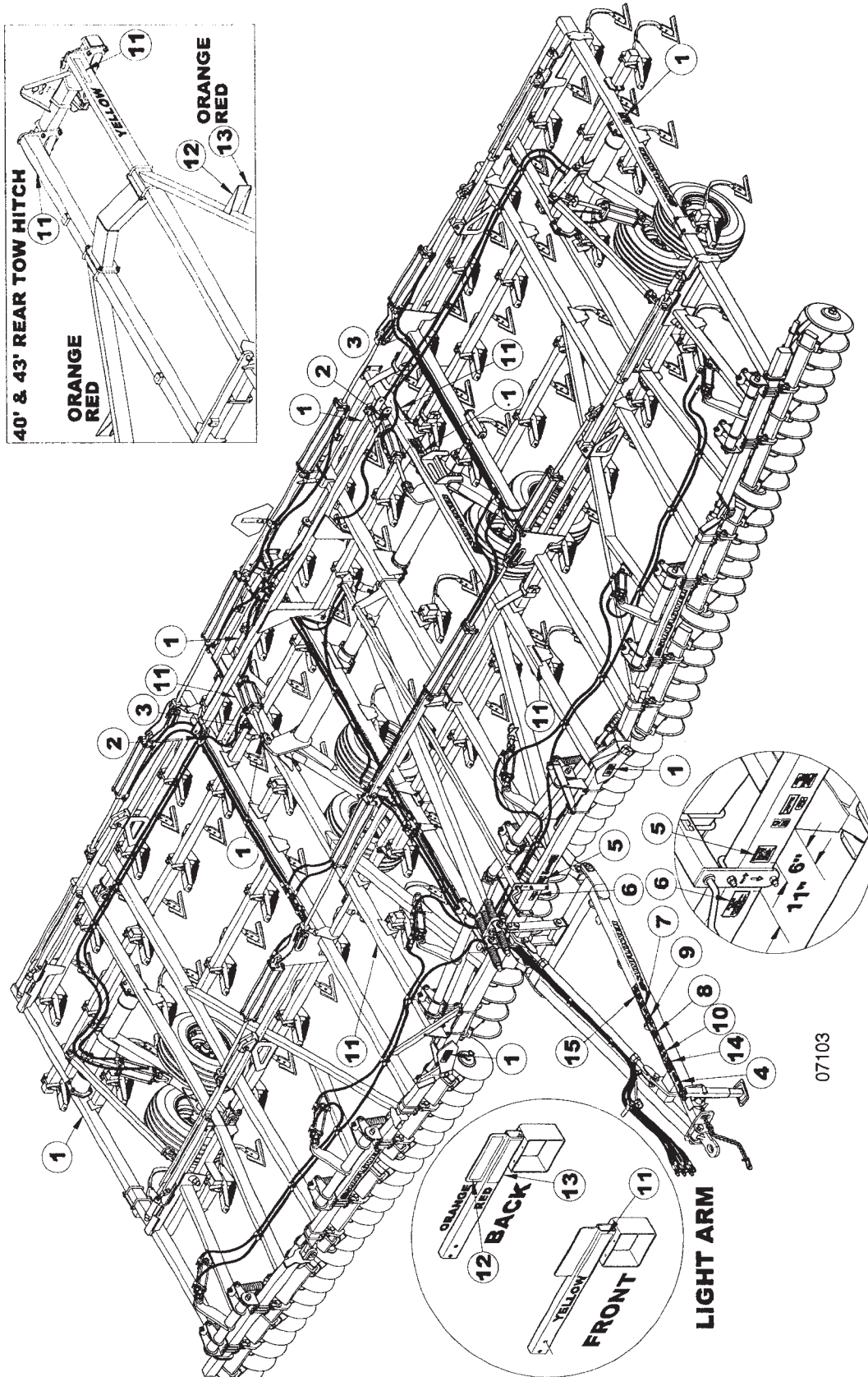
67

DECAL PLACEMENT

ITEM	NUMBER	QTY	DESCRIPTION
1	SN997002		SUNFLOWER DECAL
2	SN997263		DECAL, TILLAGE PROMOTES A
3	SN997246		FEMA DECAL
4	SN997788		DECAL, 6433
5	SN997789		DECAL-GAUGE, STROKE CONTROL
6			SERIAL NUMBER PLATE
7	SN997795		PATENT DECAL, #6,684,962

I0007102
PR: t05g29h00b0031

SAFETY SIGN PLACEMENT



07103

**6433 SPLIT WING LAND FINISHER
SERVICE PARTS**

69

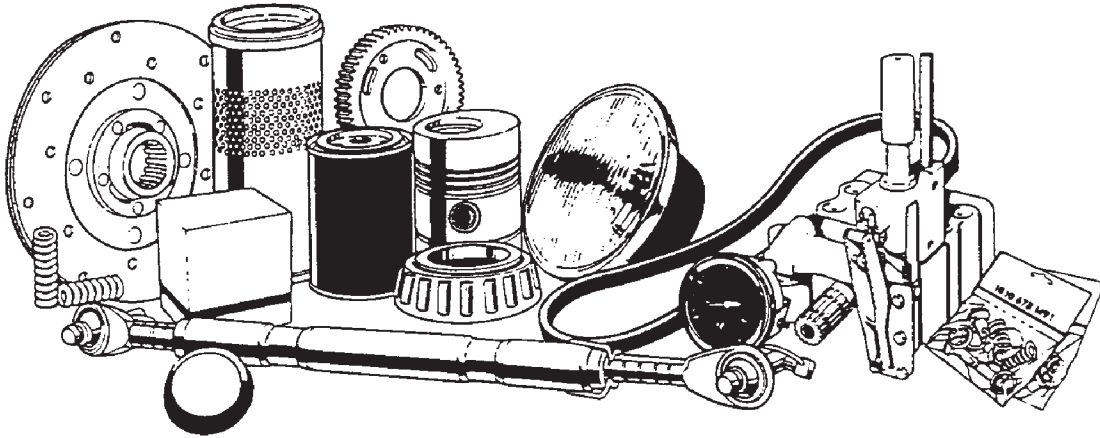
SAFETY SIGN PLACEMENT

ITEM	NUMBER	QTY	DESCRIPTION
1	SN997042		STAY CLEAR OF FOLDING WINGS
2	SN997313		CAUTION - INSTALL LOCK PINS BEFORE TRANSPORTING
3	SN997078		TRANSPORT LOCK INSTALLATION
4	SN997792		DECAL-WARNING, READ OPERATOR'S
5	SN997314		IMPORTANT - TO INSURE EVEN WORKING DEPTH
6	SN997052		SYSTEMS MUST BE BLED OF AIR
7	SN997045		WINGS CAN CONTACT ELECTRIC
8	SN997074		UNHITCHING HAZARD
9	SN997048		FASTEN SAFETY CHAIN
10	SN997311		HIGH PRESSURE FLUID HAZARD
11	SN997663		TAPE, YELLOW REFLECTIVE 2" X 9" L
12	SN997662		TAPE, ORANGE REFLECTIVE 2" X 9" L
13	SN997661		TAPE, RED REFLECTIVE 2" X 9" L
14	SN997793		DECAL-WARNING, LOSS OF CONTROL
15	SN997796		DECAL, INFORMATION, WING FOLDING & UNFOLDING INSTRUCTIONS

I0007103
PR: t05g29h00b0032

RECOMMENDED DEALER STOCK

RECOMMENDED DEALER'S STOCK



**6433 SPLIT WING LAND FINISHER
RECOMMENDED DEALER LIST**

71

RECOMMENDED DEALER STOCK

ITEM	NUMBER	QTY	DESCRIPTION
-	SN10460	1	ASSY, AG MODULE
-	SNFK310062	2	BEARING (JLM506849)
-	SN1935	2	BEARING (LM501349)
-	SN1606	2	BEARING (LM67048)
-	SN1610	1	DUST CAP, 2.448" OD, Y/D
-	SNFK340162	1	DUST CAP, 3.125" OD, Y/D
-	SNFK800384	1	EIGHT BOLT HUB ASSY.
-	SN3215	2	FLANGETTE BEARING, 1 3/4" BORE
-	SN10394	1	HARNESS, AG 30' EXTENSION
-	SN10461	1	HARNESS, AG 8' 6" WISHBONE
-	SN3302	1	HEX NUT, 1"-14 FULL SLOTTED GR 2, PLAIN
-	SN3366	1	HITCH SPRING
-	SN10012	1	HOLDER, 7-PIN CONNECTOR
-	SNFK340167	8	LUG BOLT, 5/8"-18 X 2 1/4"
-	SN3118	6	LUG BOLT, 9/16"-18 X 1 7/8" PRESS IN, PL
-	SNFK340168	8	LUG NUT, 5/8"-18, GR 5, 90 DEG TAPER, Y/D
-	SN3117	6	LUG NUT, 9/16"-18, GR 5, 90 DEG TAPER,
-	SN3365	1	PIN, 7/8" SPCL, Y/D
-	SNFK310063	2	RACE (JLM506810)
-	SN1936	2	RACE (LM501310)
-	SN1605	2	RACE (LM67010)
-	SN7905	1	RELIEF VALVE, 3/4"-16 SAE -1000 PSI
-	SN5489	2	SCRAPER W/SCRAPER CLIP, LEFT
-	SN5488	2	SCRAPER W/SCRAPER CLIP, RIGHT
-	SN5468	2	SCRAPER, LEFT
-	SN5467	2	SCRAPER, RIGHT
-	SN12015	2	SEAL KIT, 3 1/2", 1 1/2" ROD CROSS
-	SN8775-1	2	SEAL KIT, 3 1/2", 1 1/4" ROD, REPHASING
-	SN8776-1	2	SEAL KIT, 3 3/4", 1 3/8" ROD, REPHASING
-	SN8612-1	2	SEAL KIT, 4", 1 1/2" ROD, CROSS
-	SN8781-1	2	SEAL KIT, 4", 1 3/8" ROD
-	SNFK310064	2	SEAL, 8-BOLT
-	SN12231	2	SHANK, 5/8" X 1 3/4" FLAT
-	SN12257	2	SHANK, 5/8" X 1 3/4" X 24", FLAT
-	SN10486	1	SINGLE AG LAMP, RED/BLACK W/BRAKE
-	SN3300	1	SIX BOLT HUB ASSEMBLY W/3301 SEAL
-	SN1937	2	SIX BOLT HUB, STUDDERED W/CUPS AND
-	SN7001	1	SMV EMBLEM
-	SN3335	1	SPRING
-	SN3044B	1	SPRING ASSEMBLY, 5000 (11-13)
-	SN7453	2	SPRING CLAMP, S-TINE
-	SN7048	1	SPRING ROD
-	SNFK361002	1	SPRING, 1.8125" OD X 1.062"ID, 2 5/8"
-	SN3048	6	SWEEP, 10" PLAIN (47 DEG)
-	SN3301	2	TRIPLE LIP SEAL
-	SN198	2	U-BOLT, 3/4"-10 X 5 1/2" X 5" W, GR 5,
-	SN2563	2	U-BOLT, 3/4"-10 X 5" X 5 13/16" W, GR 5
-	SN3655	2	U-BOLT, 5/8"-11 X 7 1/2" X 3 3/4" W,
-	SN3061	2	WALKING BEAM BEARING (342A)
-	SN3062	2	WALKING BEAM RACE (332)
-	SN3063	2	WALKING BEAM SEAL (NAT.204035 C/R 22870)
-	SNFK340165	1	WASHER, 1 1/16" ID X 2 1/8" OD X 1/4"
-	SN3303	1	WASHER, 1 1/32" ID X 1 3/4"
-	SN4886	2	WASHER, 1.765" ID X 2 1/4" OD X 1/16"

NOTE: THIS PARTS STOCK LIST
INDICATES THOSE ITEMS RECOMMENDED
TO SERVICE ONE UNIT.

RDL
PR: t05g29h00b0033

SWEEP PLOWS

PARTS CATALOG

**SUNFLOWER®
3070 Fallow King**

RECOMMENDED DEALER LIST

RECOMMENDED DEALER STOCK 85

ROLLING TREADER

REGULAR MOUNTING BRACKET ASSEMBLY 75
REGULAR MOUNTING BRACKET ASSEMBLY WITH DOUBLE MOUNTING HEAD 77
ROLLING TREADER GANG ASSEMBLY 79
STRIPPER ASSEMBLY 81

SERVICE PARTS

SAFETY AND IDENTIFICATION DECALS 25
CENTER FRAME ASSEMBLY 7
CENTER FRAME COULTER ASSEMBLY 67
GAUGE WHEEL ASSEMBLY 23
HYDRAULIC FOLD SYSTEM, LEFT HALF 31
HYDRAULIC FOLD SYSTEM, RIGHT HALF 33
HYDRAULIC LIFT SYSTEM (VERSION 1) 27
HYDRAULIC LIFT SYSTEM (VERSION 2) 29
REAR TOW HITCH ASSEMBLY WITH HITCH SLIDE & BALL JOINT (OPTIONAL) 71
REAR TOW HITCH ASSEMBLY WITH HITCH SLIDE & BALL JOINT (OPTIONAL) 73
REMOTE DEPTH CONTROL ASSEMBLY 19
RIGID SHEAR BOLT SHANK ASSEMBLY 21
SINGLE & TANDEM LIFT AXLE ASSEMBLY 13
SIX BOLT HUB ASSEMBLY 17
TANDEM LIFT AXLE ASSEMBLY 15
WING FRAME ASSEMBLY 11
WING FRAME COULTER ASSEMBLY 69
3 1/2" X 10" CROSS REPHASING CYLINDER (VERSION 1) 43
3 1/2" X 10" CROSS REPHASING CYLINDER (VERSION 2) 45
3 1/4" X 10" CROSS REPHASING CYLINDER (VERSION 1) 39
3 1/4" X 10" CROSS REPHASING CYLINDER (VERSION 2) 41
3 3/4" X 10" CROSS REPHASING CYLINDER (VERSION 1) 47
3 3/4" X 10" CROSS REPHASING CYLINDER (VERSION 2) 49
3" X 8" CROSS CYLINDER (VERSION 1) 35
3" X 8" CROSS CYLINDER (VERSION 2) 37
4" X 10" CROSS REPHASING CYLINDER (VERSION 1) 51
4" X 10" CROSS REPHASING CYLINDER (VERSION 2) 53
4" X 24" CROSS FOLD CYLINDER (VERSION 1) 55
4" X 24" CROSS FOLD CYLINDER (VERSION 2) 57
4" X 30" CROSS CYLINDER (VERSION 1) 59
4" X 30" CROSS CYLINDER (VERSION 2) 61
5" X 30" CROSS CYLINDER (VERSION 1) 63
5" X 30" CROSS CYLINDER (VERSION 2) 65

3 ROW COIL TINE

DOUBLE ARM COIL TINE HARROW ASSEMBLY 83

3070 FALLOW KING

iii
INDEX

Part No.	Page	Grid	Part No.	Page	Grid	Part No.	Page	Grid	Part No.	Page	Grid
SNCS516114	7	1-B 6	SN10813	33	1-B 9	SN159	67	1-B 12	SN2096	9	1-B 6
SNFK150013	7	1-B 6	SN10813	57	1-B 11	SN159	69	1-B 12	SN2098-1	23	1-B 8
SNFK150013	11	1-B 7	SN10814	29	1-B 8	SN159	75	1-B 13	SN2098-5	13	1-B 7
SNFK150013	13	1-B 7	SN10814	53	1-B 11	SN159	77	1-B 13	SN2098-6	19	1-B 7
SNFK150013	15	1-B 7	SN10815	29	1-B 8	SN1599	75	1-B 13	SN2390	23	1-B 8
SNFK150052	23	1-B 8	SN10815	49	1-B 10	SN1599	77	1-B 13	SN2391	23	1-B 8
SNFK150053	9	1-B 6	SN10816	29	1-B 8	SN1602	23	1-B 8	SN2392	23	1-B 8
SNFK150053	11	1-B 7	SN10816	45	1-B 10	SN1602	85	1-B 14	SN2425	31	1-B 9
SNFK150074	13	1-B 7	SN10817	29	1-B 8	SN1603	23	1-B 8	SN2425	33	1-B 9
SNFK150074	15	1-B 7	SN10817	41	1-B 10	SN1603	85	1-B 14	SN2426	27	1-B 8
SNFK150144	7	1-B 6	SN10836	31	1-B 9	SN1604	23	1-B 8	SN2426	29	1-B 8
SNFK150157	7	1-B 6	SN10836	33	1-B 9	SN1605	17	1-B 7	SN2428	27	1-B 8
SNFK150172	9	1-B 6	SN10837	31	1-B 9	SN1605	23	1-B 8	SN2429	31	1-B 9
SNFK150173	75	1-B 13	SN10837	33	1-B 9	SN1605	67	1-B 12	SN2429	33	1-B 9
SNFK150173	77	1-B 13	SN110	7	1-B 6	SN1605	69	1-B 12	SN245	9	1-B 6
SNFK150185	79	1-B 13	SN110	9	1-B 6	SN1605	85	1-B 14	SN245	11	1-B 7
SNFK150213	21	1-B 8	SN110	11	1-B 7	SN1606	17	1-B 7	SN245	13	1-B 7
SNFK150257	79	1-B 13	SN110	13	1-B 7	SN1606	23	1-B 8	SN245	15	1-B 7
SNFK150258	75	1-B 13	SN110	15	1-B 7	SN1606	67	1-B 12	SN245	75	1-B 13
SNFK150258	77	1-B 13	SN110	23	1-B 8	SN1606	69	1-B 12	SN245	77	1-B 13
SNFK150283	79	1-B 13	SN110	75	1-B 13	SN1606	85	1-B 14	SN2487	7	1-B 6
SNFK320033	69	1-B 12	SN110	77	1-B 13	SN1608	67	1-B 12	SN2519	23	1-B 8
SNFK320033	85	1-B 14	SN1122	71	1-B 13	SN1608	69	1-B 12	SN2526	23	1-B 8
SNFK330283	27	1-B 8	SN1122	73	1-B 13	SN1609	23	1-B 8	SN2557	81	1-B 14
SNFK340069	67	1-B 12	SN113	7	1-B 6	SN1609	71	1-B 13	SN2560	7	1-B 6
SNFK340069	69	1-B 12	SN113	67	1-B 12	SN1610	17	1-B 7	SN2560	11	1-B 7
SNFK350402	7	1-B 6	SN113	69	1-B 12	SN1610	23	1-B 8	SN2561	7	1-B 6
SNFK351023	75	1-B 13	SN113	81	1-B 14	SN1610	85	1-B 14	SN2561	11	1-B 7
SNFK351023	77	1-B 13	SN114	81	1-B 14	SN1611	23	1-B 8	SN2566	9	1-B 6
SNFK361002	75	1-B 13	SN1187	79	1-B 13	SN1611-1	23	1-B 8	SN2568	9	1-B 6
SNFK361002	77	1-B 13	SN120	67	1-B 12	SN1675	71	1-B 13	SN2585	13	1-B 7
SNFK361003	75	1-B 13	SN120	69	1-B 12	SN1675	73	1-B 13	SN2585	15	1-B 7
SNFK361003	77	1-B 13	SN120	85	1-B 14	SN1675	75	1-B 13	SN2585	17	1-B 7
SNFK501164	75	1-B 13	SN12035	31	1-B 9	SN1675	77	1-B 13	SN2585	23	1-B 8
SNFK501164	77	1-B 13	SN12035	65	1-B 12	SN1678	9	1-B 6	SN2756	23	1-B 8
SNFK501168	75	1-B 13	SN12036	65	1-B 12	SN1679	7	1-B 6	SN2799	23	1-B 8
SNFK501168	77	1-B 13	SN12037	65	1-B 12	SN1679	9	1-B 6	SN2799	85	1-B 14
SNFK501229	75	1-B 13	SN12038	65	1-B 12	SN1679	11	1-B 7	SN2801	23	1-B 8
SNFK501229	77	1-B 13	SN12039	65	1-B 12	SN175	7	1-B 6	SN2893	7	1-B 6
SNFK502466	7	1-B 6	SN12039	85	1-B 14	SN175	13	1-B 7	SN2949	21	1-B 8
SNFK502466	85	1-B 14	SN12049	33	1-B 9	SN175	15	1-B 7	SN2991	13	1-B 7
SNHCL	79	1-B 13	SN12049	37	1-B 9	SN175	83	1-B 14	SN2991	15	1-B 7
SNHCS12131	7	1-B 6	SN12056	37	1-B 9	SN1753	71	1-B 13	SN2992	13	1-B 7
SNHEN3410	83	1-B 14	SN12057	37	1-B 9	SN1753	73	1-B 13	SN2992	15	1-B 7
SNH10-003	79	1-B 13	SN12058	37	1-B 9	SN1767	7	1-B 6	SN302	13	1-B 7
SNROL-108	67	1-B 12	SN124	67	1-B 12	SN178	83	1-B 14	SN302	15	1-B 7
SNROL-108	71	1-B 13	SN124	69	1-B 12	SN1799	23	1-B 8	SN302	17	1-B 7
SNROL-108	73	1-B 13	SN124	85	1-B 14	SN1799	85	1-B 14	SN302	23	1-B 8
SNR0G-014	81	1-B 14	SN1243	19	1-B 7	SN1813	9	1-B 6	SN303	13	1-B 7
SNYYB3471	79	1-B 13	SN125-1	67	1-B 12	SN1817	19	1-B 7	SN303	15	1-B 7
SNYYB3471	85	1-B 14	SN125-1	69	1-B 12	SN1849	13	1-B 7	SN303	17	1-B 7
SNZK142890	13	1-B 7	SN126	67	1-B 12	SN1849	15	1-B 7	SN303	23	1-B 8
SNZK142890	15	1-B 7	SN126	69	1-B 12	SN1891	9	1-B 6	SN3052	7	1-B 6
SN10F-1639	79	1-B 13	SN126	85	1-B 14	SN1935	17	1-B 7	SN3052	11	1-B 7
SN1025	67	1-B 12	SN127	67	1-B 12	SN1935	85	1-B 14	SN3052	19	1-B 7
SN1025	69	1-B 12	SN127	69	1-B 12	SN1936	17	1-B 7	SN3052	67	1-B 12
SN1025	85	1-B 14	SN127	85	1-B 14	SN1936	85	1-B 14	SN3052	69	1-B 12
SN1036	7	1-B 6	SN1282	9	1-B 6	SN1937	17	1-B 7	SN3052	71	1-B 13
SN1036	11	1-B 7	SN1282	23	1-B 8	SN1944	17	1-B 7	SN3052	73	1-B 13
SN1040	21	1-B 8	SN1283	7	1-B 6	SN1946	11	1-B 7	SN3052	83	1-B 14
SN1040	71	1-B 13	SN1283	9	1-B 6	SN1978	7	1-B 6	SN3052	85	1-B 14
SN1040	73	1-B 13	SN1283	11	1-B 7	SN2036	23	1-B 8	SN3058	17	1-B 7
SN1040	75	1-B 13	SN1283	13	1-B 7	SN2037	67	1-B 12	SN3061	13	1-B 7
SN1040	77	1-B 13	SN1283	15	1-B 7	SN2037	69	1-B 12	SN3061	15	1-B 7
SN105	71	1-B 13	SN1283	23	1-B 8	SN2076	31	1-B 9	SN3062	13	1-B 7
SN106	21	1-B 8	SN1283	75	1-B 13	SN2076	33	1-B 9	SN3062	15	1-B 7
SN106	71	1-B 13	SN1283	77	1-B 13	SN2078	67	1-B 12	SN3063	13	1-B 7
SN106	73	1-B 13	SN1300	7	1-B 6	SN2078	69	1-B 12	SN3063	15	1-B 7
SN106	75	1-B 13	SN1300	11	1-B 7	SN2078	75	1-B 13	SN3065	83	1-B 14
SN106	77	1-B 13	SN1304	23	1-B 8	SN2078	77	1-B 13	SN3066	13	1-B 7
SN108	9	1-B 6	SN1362	9	1-B 6	SN2085	7	1-B 6	SN3066	15	1-B 7
SN108	23	1-B 8	SN1507	83	1-B 14	SN2089	13	1-B 7	SN3066	17	1-B 7
SN10812	33	1-B 9	SN155	7	1-B 6	SN2089	15	1-B 7	SN3095	23	1-B 8
SN10812	61	1-B 12	SN155	9	1-B 6	SN2089	81	1-B 14	SN3117	17	1-B 7
SN10813	31	1-B 9	SN155	23	1-B 8	SN2089	83	1-B 14	SN3118	17	1-B 7

INDEX

Part No.	Page	Grid	Part No.	Page	Grid	Part No.	Page	Grid	Part No.	Page	Grid
SN3150	13	1-B 7	SN3765	9	1-B 6	SN4458	39	1-B 9	SN5112	9	1-B 6
SN3150	15	1-B 7	SN3785	7	1-B 6	SN4458	41	1-B 10	SN5112	67	1-B 12
SN3153	9	1-B 6	SN3877	21	1-B 8	SN4458	43	1-B 10	SN5114	11	1-B 7
SN3164	9	1-B 6	SN3894	19	1-B 7	SN4458	45	1-B 10	SN5114	69	1-B 12
SN3164	11	1-B 7	SN3938	7	1-B 6	SN4458	47	1-B 10	SN5115	11	1-B 7
SN3164	35	1-B 9	SN3938	23	1-B 8	SN4458	49	1-B 10	SN5115	69	1-B 12
SN3164	37	1-B 9	SN3938	71	1-B 13	SN4458	51	1-B 11	SN5116	9	1-B 6
SN3164	39	1-B 9	SN3938	73	1-B 13	SN4458	53	1-B 11	SN5116	67	1-B 12
SN3164	41	1-B 10	SN3938	75	1-B 13	SN4458	55	1-B 11	SN5117	11	1-B 7
SN3164	43	1-B 10	SN3938	77	1-B 13	SN4458	57	1-B 11	SN5117	69	1-B 12
SN3164	45	1-B 10	SN4021007	27	1-B 8	SN4458	59	1-B 11	SN5118	11	1-B 7
SN3164	55	1-B 11	SN4029005	27	1-B 8	SN4458	61	1-B 12	SN5118	69	1-B 12
SN3164	57	1-B 11	SN4029005	29	1-B 8	SN4458	63	1-B 12	SN5119	7	1-B 6
SN3164	63	1-B 12	SN4041002	33	1-B 9	SN4458	65	1-B 12	SN5120	7	1-B 6
SN3164	65	1-B 12	SN4046002	31	1-B 9	SN4460	27	1-B 8	SN5121	7	1-B 6
SN3164	79	1-B 13	SN4067007	27	1-B 8	SN4460	29	1-B 8	SN5123	13	1-B 7
SN3169	9	1-B 6	SN4070002	31	1-B 9	SN4463	31	1-B 9	SN5123	15	1-B 7
SN317	83	1-B 14	SN4079002	31	1-B 9	SN4465	31	1-B 9	SN5124	13	1-B 7
SN3299	13	1-B 7	SN4082002	33	1-B 9	SN4465	33	1-B 9	SN5126	13	1-B 7
SN3299	15	1-B 7	SN4085002	33	1-B 9	SN4470	31	1-B 9	SN5126	15	1-B 7
SN3299	17	1-B 7	SN4087002	31	1-B 9	SN4470	33	1-B 9	SN5127	13	1-B 7
SN3300	17	1-B 7	SN4092002	31	1-B 9	SN4471	27	1-B 8	SN5128	15	1-B 7
SN3300	85	1-B 14	SN4098005	27	1-B 8	SN4473	31	1-B 9	SN5129R	13	1-B 7
SN3301	17	1-B 7	SN4117005	27	1-B 8	SN4473	33	1-B 9	SN5129R	15	1-B 7
SN3301	85	1-B 14	SN4117005	29	1-B 8	SN4478	29	1-B 8	SN5130	13	1-B 7
SN3302	17	1-B 7	SN4130006	27	1-B 8	SN4480	27	1-B 8	SN5130	15	1-B 7
SN3302	23	1-B 8	SN4130006	29	1-B 8	SN4481	27	1-B 8	SN5131	13	1-B 7
SN3302	85	1-B 14	SN4146005	27	1-B 8	SN4484	29	1-B 8	SN5131	15	1-B 7
SN3303	17	1-B 7	SN4146005	29	1-B 8	SN4638	19	1-B 7	SN5132	13	1-B 7
SN3303	23	1-B 8	SN4166005	27	1-B 8	SN4700	73	1-B 13	SN5132	15	1-B 7
SN3303	85	1-B 14	SN4166005	29	1-B 8	SN4732	19	1-B 7	SN5133	13	1-B 7
SN3306	69	1-B 12	SN4170005	27	1-B 8	SN4732	27	1-B 8	SN5133	15	1-B 7
SN3309	23	1-B 8	SN4170005	29	1-B 8	SN4732	29	1-B 8	SN5134	13	1-B 7
SN3363	71	1-B 13	SN4172002	31	1-B 9	SN4738	83	1-B 14	SN5134	15	1-B 7
SN3364	71	1-B 13	SN4172002	33	1-B 9	SN4739	71	1-B 13	SN5135	19	1-B 7
SN3365	71	1-B 13	SN4188002	33	1-B 9	SN4740	71	1-B 13	SN5136	19	1-B 7
SN3365	85	1-B 14	SN4200002	33	1-B 9	SN4771	7	1-B 6	SN5137	19	1-B 7
SN3366	71	1-B 13	SN4218005	27	1-B 8	SN4776	13	1-B 7	SN5138	19	1-B 7
SN3366	85	1-B 14	SN4218005	29	1-B 8	SN4776	17	1-B 7	SN5139	19	1-B 7
SN3371	83	1-B 14	SN4255005	27	1-B 8	SN4781	7	1-B 6	SN5142	9	1-B 6
SN3485	7	1-B 6	SN4255005	29	1-B 8	SN4789	75	1-B 13	SN5146	7	1-B 6
SN3557	83	1-B 14	SN4403R	33	1-B 9	SN4789	77	1-B 13	SN5146	11	1-B 7
SN3566	7	1-B 6	SN4403R	59	1-B 11	SN4795	75	1-B 13	SN5149	19	1-B 7
SN3566	13	1-B 7	SN4405R	31	1-B 9	SN4795	77	1-B 13	SN5151	17	1-B 7
SN3566	15	1-B 7	SN4405R	33	1-B 9	SN4815	79	1-B 13	SN5152	17	1-B 7
SN3566	19	1-B 7	SN4405R	55	1-B 11	SN4816	79	1-B 13	SN5154	27	1-B 8
SN3566	83	1-B 14	SN4414R	31	1-B 9	SN4820	79	1-B 13	SN5155	79	1-B 13
SN3567	83	1-B 14	SN4414R	63	1-B 12	SN4820	85	1-B 14	SN5155	85	1-B 14
SN3577	17	1-B 7	SN4430R	27	1-B 8	SN4821	79	1-B 13	SN5156	79	1-B 13
SN3578	17	1-B 7	SN4430R	29	1-B 8	SN4821	85	1-B 14	SN5156	85	1-B 14
SN3579	17	1-B 7	SN4430R	51	1-B 11	SN4843	9	1-B 6	SN5157	9	1-B 6
SN3580	17	1-B 7	SN4431R	27	1-B 8	SN4843	85	1-B 14	SN5158	9	1-B 6
SN3610	83	1-B 14	SN4431R	29	1-B 8	SN4844	7	1-B 6	SN5159	33	1-B 9
SN3611	83	1-B 14	SN4431R	47	1-B 10	SN486	7	1-B 6	SN5160	31	1-B 9
SN3621	83	1-B 14	SN4432R	27	1-B 8	SN486	81	1-B 14	SN5161	33	1-B 9
SN3621	85	1-B 14	SN4432R	29	1-B 8	SN4871	79	1-B 13	SN5162	7	1-B 6
SN3629	83	1-B 14	SN4432R	43	1-B 10	SN4876	79	1-B 13	SN5163	9	1-B 6
SN3635	83	1-B 14	SN4433R	27	1-B 8	SN4879	79	1-B 13	SN5164	11	1-B 7
SN3647	83	1-B 14	SN4433R	29	1-B 8	SN4884R	75	1-B 13	SN5165	11	1-B 7
SN3723	7	1-B 6	SN4433R	39	1-B 9	SN4884R	77	1-B 13	SN5166	11	1-B 7
SN3723	19	1-B 7	SN4446R	33	1-B 9	SN4914	7	1-B 6	SN5167	11	1-B 7
SN3724	7	1-B 6	SN4446R	35	1-B 9	SN4915	7	1-B 6	SN5168	9	1-B 6
SN3724	19	1-B 7	SN4451	31	1-B 9	SN4944	19	1-B 7	SN5168	67	1-B 12
SN3725	67	1-B 12	SN4451	33	1-B 9	SN4960	77	1-B 13	SN5169	7	1-B 6
SN3725	69	1-B 12	SN4453	27	1-B 8	SN4968	9	1-B 6	SN5169	67	1-B 12
SN3726	83	1-B 14	SN4454	31	1-B 9	SN4968	11	1-B 7	SN5171	9	1-B 6
SN3735	79	1-B 13	SN4454	33	1-B 9	SN506	9	1-B 6	SN5191	9	1-B 6
SN3750	9	1-B 6	SN4455	31	1-B 9	SN507	9	1-B 6	SN5192	9	1-B 6
SN3751	21	1-B 8	SN4455	33	1-B 9	SN508	9	1-B 6	SN5193	9	1-B 6
SN3753	21	1-B 8	SN4456	27	1-B 8	SN5090	79	1-B 13	SN5195	23	1-B 8
SN3754	21	1-B 8	SN4456	29	1-B 8	SN5091	79	1-B 13	SN5196	23	1-B 8
SN3756	21	1-B 8	SN4458	27	1-B 8	SN5092	79	1-B 13	SN5197	23	1-B 8
SN3757	21	1-B 8	SN4458	29	1-B 8	SN5094	17	1-B 7	SN5201	13	1-B 7
SN3758	21	1-B 8	SN4458	35	1-B 9	SN5111	9	1-B 6	SN5201	15	1-B 7
SN3759	21	1-B 8	SN4458	37	1-B 9	SN5111	67	1-B 12	SN5251	11	1-B 7

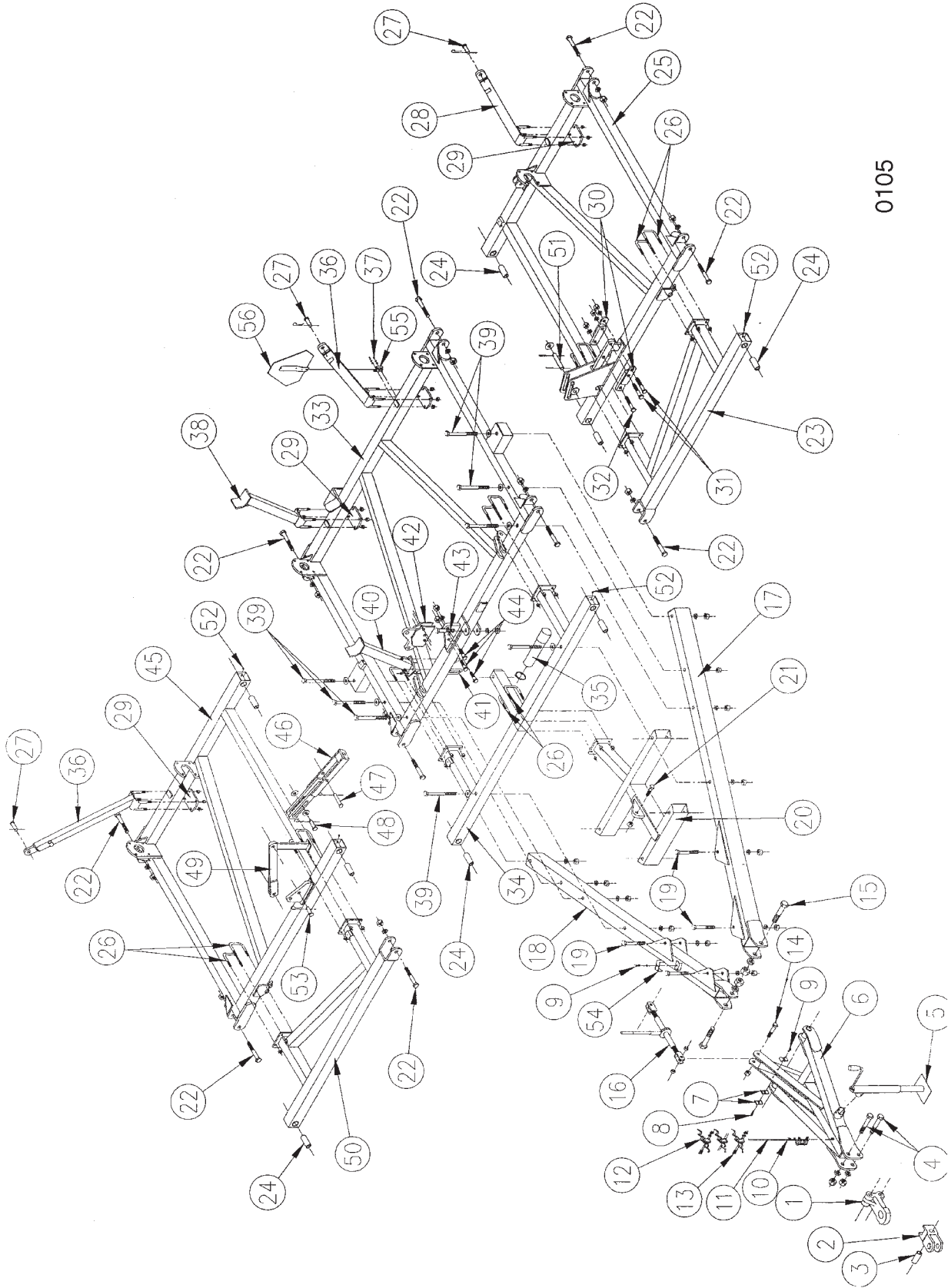
3070 FALLOW KING

V
INDEX

Part No.	Page	Grid	Part No.	Page	Grid	Part No.	Page	Grid	Part No.	Page	Grid
SN5252	11	1-B 7	SN669-1	7	1-B 6	SN8631-1	65	1-B 12	SN8739-10	53	1-B 11
SN5290	21	1-B 8	SN669-1	9	1-B 6	SN8636-1	19	1-B 7	SN8749-10	63	1-B 12
SN5302	7	1-B 6	SN669-1	11	1-B 7	SN8636-1	27	1-B 8	SN8762-1	35	1-B 9
SN5302	13	1-B 7	SN669-1	13	1-B 7	SN8636-1	29	1-B 8	SN8762-1	85	1-B 14
SN5302	15	1-B 7	SN669-1	15	1-B 7	SN8653-1	53	1-B 11	SN8767-1	39	1-B 9
SN5304	7	1-B 6	SN669-1	19	1-B 7	SN8654-1	49	1-B 10	SN8767-1	41	1-B 10
SN5304	11	1-B 7	SN669-1	21	1-B 8	SN8654-1	53	1-B 11	SN8767-1	85	1-B 14
SN5304	67	1-B 12	SN669-1	67	1-B 12	SN8655-1	49	1-B 10	SN8775-1	43	1-B 10
SN5304	69	1-B 12	SN669-1	69	1-B 12	SN8656-10	49	1-B 10	SN8775-1	45	1-B 10
SN5305	11	1-B 7	SN669-1	71	1-B 13	SN8657-10	45	1-B 10	SN8775-1	85	1-B 14
SN5305	69	1-B 12	SN669-1	73	1-B 13	SN8658-1	41	1-B 10	SN8776-1	47	1-B 10
SN5306	7	1-B 6	SN669-1	79	1-B 13	SN8658-1	45	1-B 10	SN8776-1	49	1-B 10
SN5309	9	1-B 6	SN669-1	81	1-B 14	SN8659-1	45	1-B 10	SN8776-1	85	1-B 14
SN5339	35	1-B 9	SN669-1	83	1-B 14	SN8660-1	45	1-B 10	SN8781-1	51	1-B 11
SN5339	37	1-B 9	SN670	13	1-B 7	SN8670-10	53	1-B 11	SN8781-1	53	1-B 11
SN5339	39	1-B 9	SN670	15	1-B 7	SN8670-10	57	1-B 11	SN8781-1	85	1-B 14
SN5339	41	1-B 10	SN6999	75	1-B 13	SN8670-10	61	1-B 12	SN8784-1	55	1-B 11
SN5339	43	1-B 10	SN6999	77	1-B 13	SN8671-1	35	1-B 9	SN8784-1	59	1-B 11
SN5339	45	1-B 10	SN7000	75	1-B 13	SN8671-1	37	1-B 9	SN8784-1	85	1-B 14
SN5339	55	1-B 11	SN7000	77	1-B 13	SN8671-1	39	1-B 9	SN8794-1	63	1-B 12
SN5339	57	1-B 11	SN7001	9	1-B 6	SN8671-1	41	1-B 10	SN8794-1	85	1-B 14
SN5342	63	1-B 12	SN7001	85	1-B 14	SN8671-1	43	1-B 10	SN8816-1	35	1-B 9
SN5342	65	1-B 12	SN7012	21	1-B 8	SN8671-1	45	1-B 10	SN8820-1	39	1-B 9
SN5347	29	1-B 8	SN7012	85	1-B 14	SN8671-1	47	1-B 10	SN8822-1	43	1-B 10
SN5540	21	1-B 8	SN71L-2901	75	1-B 13	SN8671-1	49	1-B 10	SN8826-1	51	1-B 11
SN5540	85	1-B 14	SN71L-2901	77	1-B 13	SN8671-1	51	1-B 11	SN8826-1	53	1-B 11
SN5543	21	1-B 8	SN7785R	13	1-B 7	SN8671-1	53	1-B 11	SN8828-1	47	1-B 10
SN5543	85	1-B 14	SN7785R	15	1-B 7	SN8671-1	55	1-B 11	SN8828-1	49	1-B 10
SN5556	21	1-B 8	SN779	19	1-B 7	SN8671-1	57	1-B 11	SN8835-1	55	1-B 11
SN5668	81	1-B 14	SN779	67	1-B 12	SN8671-1	59	1-B 11	SN8835-1	57	1-B 11
SN5669	81	1-B 14	SN779	69	1-B 12	SN8671-1	61	1-B 12	SN8837-1	59	1-B 11
SN5671	81	1-B 14	SN7907	83	1-B 14	SN8671-1	63	1-B 12	SN8837-1	61	1-B 12
SN5715	83	1-B 14	SN7908	83	1-B 14	SN8671-1	65	1-B 12	SN8839-1	63	1-B 12
SN5715	85	1-B 14	SN821	75	1-B 13	SN8681-1	35	1-B 9	SN8839-1	65	1-B 12
SN5719	83	1-B 14	SN821	77	1-B 13	SN8681-1	37	1-B 9	SN8845-1	39	1-B 9
SN5723	83	1-B 14	SN8273-1	57	1-B 11	SN8682-1	57	1-B 11	SN8845-1	43	1-B 10
SN5724	83	1-B 14	SN8273-1	61	1-B 12	SN8682-1	61	1-B 12	SN8846-1	35	1-B 9
SN5727	83	1-B 14	SN8602-1	61	1-B 12	SN8683-1	39	1-B 9	SN8849-1	47	1-B 10
SN5729	83	1-B 14	SN8605-1	57	1-B 11	SN8683-1	41	1-B 10	SN8849-1	51	1-B 11
SN5730	83	1-B 14	SN8610-1	39	1-B 9	SN8683-1	43	1-B 10	SN8855-1	55	1-B 11
SN5731	83	1-B 14	SN8610-1	41	1-B 10	SN8683-1	45	1-B 10	SN8858-1	59	1-B 11
SN5731	85	1-B 14	SN8610-1	43	1-B 10	SN8683-1	47	1-B 10	SN8859-1	63	1-B 12
SN5732	83	1-B 14	SN8610-1	45	1-B 10	SN8683-1	49	1-B 10	SN8859-1	65	1-B 12
SN5732	85	1-B 14	SN8610-1	47	1-B 10	SN8683-1	51	1-B 11	SN8863-1	39	1-B 9
SN5814	67	1-B 12	SN8610-1	49	1-B 10	SN8683-1	53	1-B 11	SN8863-1	41	1-B 10
SN5814	69	1-B 12	SN8610-1	51	1-B 11	SN8683-1	55	1-B 11	SN8863-1	43	1-B 10
SN5830	23	1-B 8	SN8610-1	53	1-B 11	SN8683-1	57	1-B 11	SN8863-1	45	1-B 10
SN5831	23	1-B 8	SN8612-1	57	1-B 11	SN8683-1	59	1-B 11	SN8864-1	47	1-B 10
SN5833	23	1-B 8	SN8612-1	61	1-B 12	SN8683-1	61	1-B 12	SN8864-1	49	1-B 10
SN5880	69	1-B 12	SN8612-1	85	1-B 14	SN8685-1	63	1-B 12	SN8864-1	51	1-B 11
SN5890	83	1-B 14	SN8613-1	41	1-B 10	SN8685-1	65	1-B 12	SN8864-1	53	1-B 11
SN5965	67	1-B 12	SN8614-10	41	1-B 10	SN8698-10	47	1-B 10	SN8864-1	55	1-B 11
SN5968	67	1-B 12	SN8615-1	35	1-B 9	SN8699-10	51	1-B 11	SN8864-1	57	1-B 11
SN5968	69	1-B 12	SN8615-1	37	1-B 9	SN8700-10	43	1-B 10	SN8864-1	59	1-B 11
SN5969	67	1-B 12	SN8615-1	55	1-B 11	SN8701-10	35	1-B 9	SN8864-1	61	1-B 12
SN5969	69	1-B 12	SN8615-1	59	1-B 11	SN8703-10	55	1-B 11	SN8865-1	63	1-B 12
SN5970	67	1-B 12	SN8616-1	57	1-B 11	SN8703-10	59	1-B 11	SN8865-1	65	1-B 12
SN5970	69	1-B 12	SN8616-1	61	1-B 12	SN8705-10	63	1-B 12	SN8866-1	35	1-B 9
SN5972	67	1-B 12	SN8620-1	63	1-B 12	SN8709-10	39	1-B 9	SN8866-1	37	1-B 9
SN5972	69	1-B 12	SN8620-1	65	1-B 12	SN8710-1	39	1-B 9	SN8881-1	35	1-B 9
SN6054	71	1-B 13	SN8631-1	35	1-B 9	SN8711-1	35	1-B 9	SN8890-1	39	1-B 9
SN6054	73	1-B 13	SN8631-1	37	1-B 9	SN8713-1	55	1-B 11	SN8890-1	43	1-B 10
SN6055	71	1-B 13	SN8631-1	39	1-B 9	SN8713-1	59	1-B 11	SN8899-1	47	1-B 10
SN6055	73	1-B 13	SN8631-1	41	1-B 10	SN8715-1	63	1-B 12	SN8899-1	51	1-B 11
SN6056	71	1-B 13	SN8631-1	43	1-B 10	SN8716-1	43	1-B 10	SN8923-1	61	1-B 12
SN6056	73	1-B 13	SN8631-1	45	1-B 10	SN8717-1	47	1-B 10	SN8924-1	55	1-B 11
SN6057	71	1-B 13	SN8631-1	47	1-B 10	SN8718-1	51	1-B 11	SN8925-1	49	1-B 10
SN6058	73	1-B 13	SN8631-1	49	1-B 10	SN8719-10	35	1-B 9	SN8925-1	53	1-B 11
SN6287	23	1-B 8	SN8631-1	51	1-B 11	SN8725-10	39	1-B 9	SN8926-1	57	1-B 11
SN6296	23	1-B 8	SN8631-1	53	1-B 11	SN8735-10	43	1-B 10	SN8927-10	45	1-B 10
SN6297	23	1-B 8	SN8631-1	55	1-B 11	SN8736-10	47	1-B 10	SN8928-1	41	1-B 10
SN6298	23	1-B 8	SN8631-1	57	1-B 11	SN8736-10	49	1-B 10	SN8928-1	45	1-B 10
SN6520	67	1-B 12	SN8631-1	59	1-B 11	SN8737-10	55	1-B 11	SN8929-1	41	1-B 10
SN6523	69	1-B 12	SN8631-1	61	1-B 12	SN8737-10	59	1-B 11	SN893	71	1-B 13
SN6524	67	1-B 12	SN8631-1	63	1-B 12	SN8739-10	51	1-B 11	SN8930-10	41	1-B 10

3070 FALLOW KING
SERVICE PARTS

CENTER FRAME ASSEMBLY



0105

**3070 FALLOW KING
SERVICE PARTS**

7

CENTER FRAME ASSEMBLY

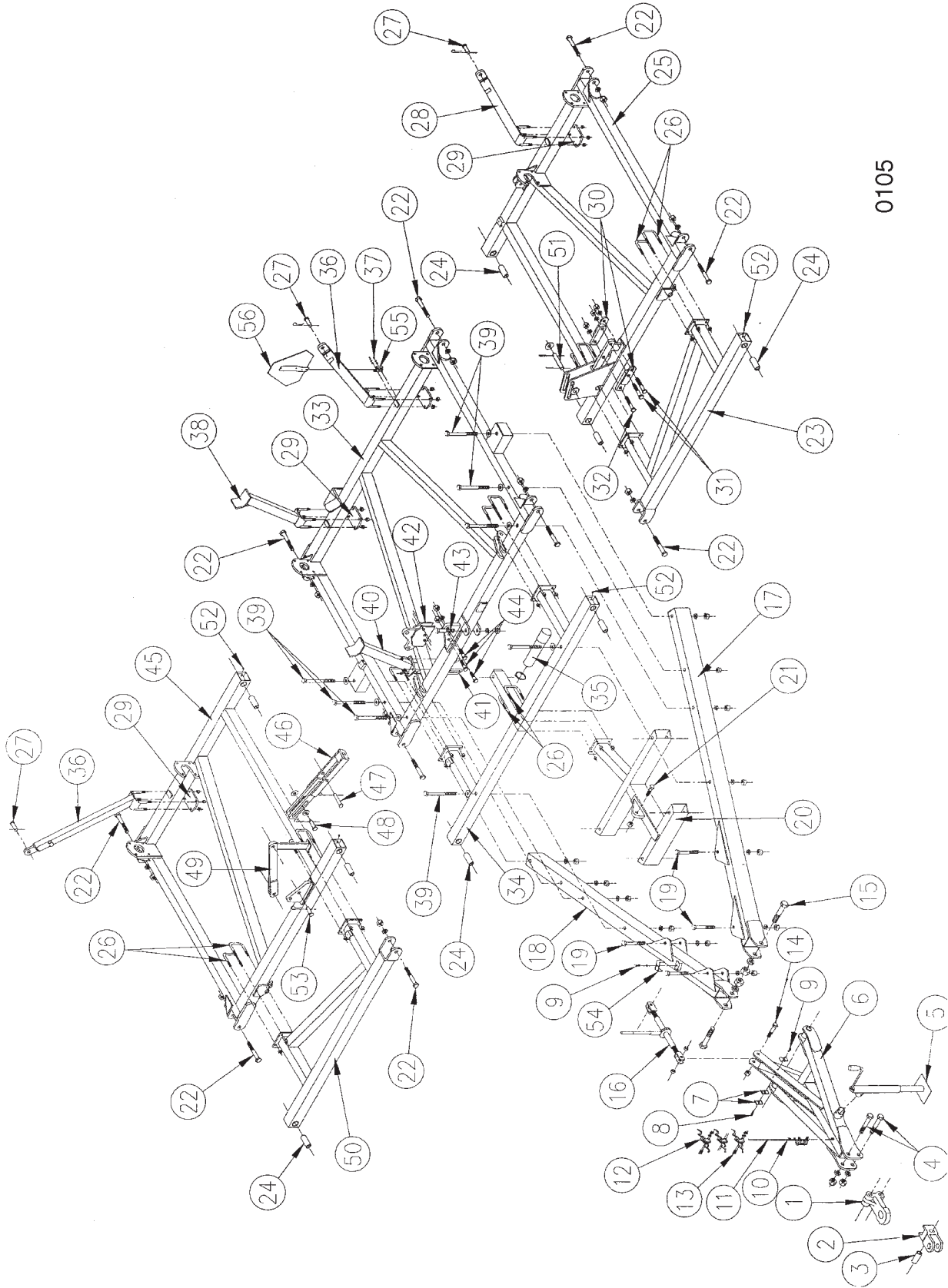
ITEM	NUMBER	QTY	DESCRIPTION
1	SN4781		SINGLE LIP HITCH
2	SN5306		DOUBLE LIP HITCH
3	SNFK502466		ANCHOER BUSHING
4	SNFK350402		HEX BOLT, 1 1/4"-7 X 7" GR 5 (SPECIAL)
	SNFK150157		LOCK WASHER, 1 1/4", Z/P
	SNFK150144		HEX NUT, 1 1/4"-7, GR 2, Z/P
5	SN9777		LONG TONGUE JACK, SQ W/TUBE MOUNT
6	SN4771		TONGUE FRAME
7	SN5302		PIPE CLAMP, 3/8" HOLE
8	SN2487		HEX BOLT, 3/8"-16 X 2 1/2", GR 5, Z/P
	SN3566		LOCK NUT, 3/8"-16 HEX CENTER, GR 2, Z/P
9	SN175		HEX BOLT, 3/8"-16 X 1 1/2", GR 5, Z/P
	SN3566		LOCK NUT, 3/8"-16 HEX CENTER, GR 2, Z/P
10	SN4915		HOSE HOLDER ROD, RED
11	SNHCS12131		HEX BOLT, 1/2"-13 X 1" GR 5, Z/P
	SN113		LOCK WASHER, 1/2" SPLIT TYPE MED, Z/P
	SN486		FLAT WASHER, 1/2", Z/P
12	SN4914		HOSE HOLDER,
13	SNCS516114		HEX BOLT, 5/16"-18 X 1 1/4" GR 5, Z/P
	SN3723		LOCK WASHER, 5/16" SPLIT TYPE, MED, Z/P
	SN3724		HEX NUT, 5/16"-18 FULL, GR 2, Z/P
14	SNFK150013		HEX BOLT, 1"-8 X 5" GR 5, Z/P
	SN3938		LOCK NUT, 1"-8 HEX NYLON INSERT, GR 2, Z/P
15	SN1767		HEX BOLT, 1 1/2"-6 X 7 1/2", GR 5, Z/P
	SN2085		LOCK WASHER, 1 1/2" SPLIT TYPE MED, Z/P
	SN1978		HEX NUT, 1 1/2"-6 FULL, GR 2, Z/P
16	SN2893		RATCHET JACK
	SN3785		HANDLE, RATCHET JACK
	SN4844		SPACER, 1/2"
17	SN5120		TONGUE, LEFT
18	SN5119		TONGUE, RIGHT
19	SN3485		HEX BOLT, 1"-8 X 8", GR 5, Z/P
	SN1283		LOCK WASHER, 1" SPLIT TYPE MED, Z/P
	SN110		HEX NUT, 1"-8 FULL, GR 5, Z/P
20	SN5121		TONGUE, MID
21	SN155		HEX BOLT, 1"-8 X 3 1/2", GR 5 Z/P
	SN3938		LOCK NUT, 1"-8 HEX NYLON INSERT, GR 2, Z/P
22	SN2560		HEX BOLT, 1 1/8"-7 X 7 1/2", GR 5, Z/P
	SN2561		LOCK WASHER, 1 1/8" SPLIT TYPE MED, Z/P
	SN1300		HEX NUT, 1 1/8"-7 FULL, GR 2, Z/P
23	SN5169		EXTENSION, LEFT
24	SN5146		BUSHING, LOOSE
25	SN5304		CENTER FRAME, LEFT
26	SN3052		U-BOLT, 5/8"-11 X 5 5/8" X 4 3/4" W, GR 5, Z/P
	SN669-1		LOCK NUT, 5/8" HEX NYLON INSERT, GR 5, Z/P
27	SN1679		PIN, 1" X 3" (2 1/2"), Z/P
	SN1036		PIN CLIP, 7/8"-1" SHAFT, .178" DIA, 3 3/4" L
28	SN5162		STABILIZER ARM
	SN669-1		LOCK NUT, 5/8" HEX NYLON INSERT, GR 5, Z/P

CONTINUED

I0000105

3070 FALLOW KING
SERVICE PARTS

CENTER FRAME ASSEMBLY



0105

**3070 FALLOW KING
SERVICE PARTS**

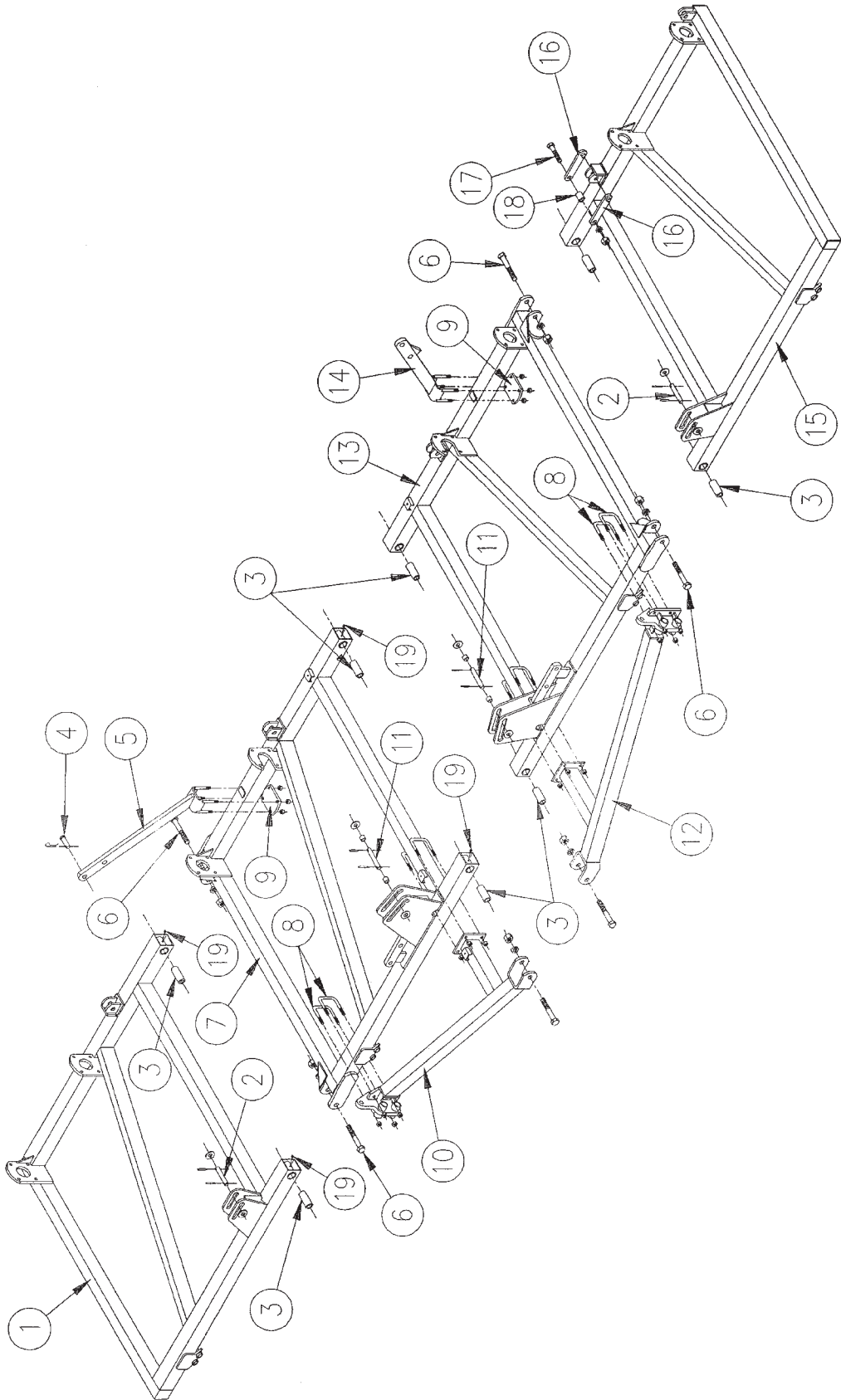
9

CENTER FRAME ASSEMBLY

ITEM	NUMBER	QTY	DESCRIPTION
29	SN4968		CLAMP PLATE, 4 HOLE-RED
30	SN5191		FOLD ANCHOR, BOLT ON
31	SN1891		HEX BOLT, 1"-8 X 5 1/2", GR 5 Z/P
	SN1283		LOCK WASHER, 1" SPLIT TYPE MED, Z/P
	SN110		HEX NUT, 1"-8 FULL, GR 5, Z/P
32	SN1678		HEX BOLT, 1"-8 X 4 1/2", GR 5 Z/P
	SN1283		LOCK WASHER, 1" SPLIT TYPE MED, Z/P
	SN110		HEX NUT, 1"-8 FULL, GR 5, Z/P
33	SN5111		CENTER FRAME
34	SN5116		EXTENSION, CENTER FRAME
35	SN3750		OPERATOR'S MANUAL TUBE
	SN3765		HOSE CLAMP, 3 1/2"
36	SN5163		STABILIZER ARM
37	SN2568		HEX BOLT, 1/4"-20 X 3/4", GR 2 Z/P
	SN507		LOCK WASHER, 1/4" SPLIT TYPE MED,Z/P
	SN506		FLAT WASHER, 1/4", Z/P
	SN508		HEX NUT, 1/4"-20 FULL, GR 2, Z/P
38	SN5158		WING REST ARM
	SN669-1		LOCK NUT, 5/8" HEX NYLON INSERT, GR 5, Z/P
39	SN3153		HEX BOLT, 1"-8 X 12", GR 5, Z/P
	SN3169		FLAT WASHER, 1", 1/4" THICK
	SN1283		LOCK WASHER, 1" SPLIT TYPE MED, Z/P
	SN110		HEX NUT, 1"-8 FULL, GR 5, Z/P
40	SN5157		WING REST ARM
41	SN4843		U-BOLT, 1/2"-13 X 5 1/4" X 2 1/2" W, GR 5, Z/P
	SN2096		LOCK NUT, 1/2"-13 HEX NYLON INSERT, GR 8, Z/P
42	SN5192		FOLD ANCHOR, BOLT ON
43	SN1282		HEX BOLT, 1"-8 X 6 1/2", GR 5, Z/P
	SN1283		LOCK WASHER, 1" SPLIT TYPE MED, Z/P
	SN110		HEX NUT, 1"-8 FULL, GR 5, Z/P
44	SN155		HEX BOLT, 1"-8 X 3 1/2", GR 5 Z/P
	SN1283		LOCK WASHER, 1" SPLIT TYPE MED, Z/P
	SN110		HEX NUT, 1"-8 FULL, GR 5, Z/P
45	SN5112		CENTER FRAME, RIGHT
46	SN5171		CYLINDER SLOTTED LINK
47	SN1813		CLEVIS PIN, 1" X 5" (4 1/2")
	SN108		COTTER PIN, 5/16" X 2 1/2", Z/P
48	SN1362		PIN, 1" X 3 1/2" (3"), Z/P
	SN245		FLAT WASHER, 1" WIDE RIM, Z/P
	SN108		COTTER PIN, 5/16" X 2 1/2", Z/P
49	SN5142		STIFFENING ANCHOR
50	SN5168		EXTENSION, RIGHT
51	SN5309		PIN, 1 1/4" X 6 9/16" (5 1/4") Z/P
	SNFK150172		FLAT WASHER, 1 1/4" SAE, Z/P
	SN3164		ROLL PIN, 5/16" X 2" SPIRAL MEDIUM DUTY, Z/P
52	SNFK150053		GREASE ZERK, 1/8" NPT 65 DEG, SHORT ANGLE
53	SN1679		PIN, 1" X 3" (2 1/2"), Z/P
	SN108		COTTER PIN, 5/16" X 2 1/2", Z/P
54	SN5193		BRACKET CLAMP
55	SN2566		S.M.V. SOCKET
56	SN7001		SMV EMBLEM

I0000105

WING FRAME ASSEMBLY



0046

3070 FALLOW KING
SERVICE PARTS

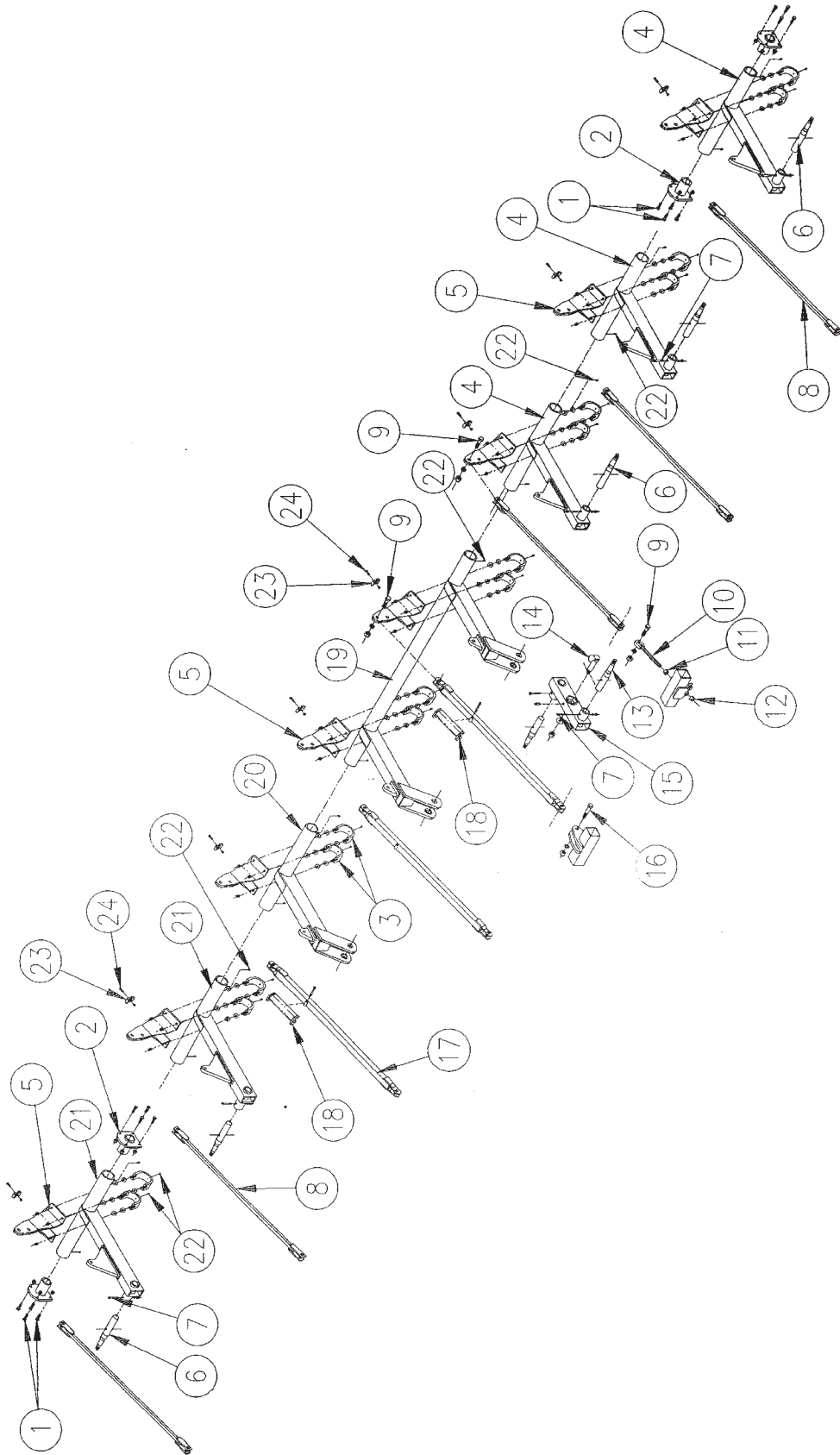
11

WING FRAME ASSEMBLY

ITEM	NUMBER	QTY	DESCRIPTION
1	SN5114		RIGHT WING FRAME
2	SN5251		1" X 5 13/16" PIN
	SN245		1" FLAT WASHER
	SN3164		ROLL PIN, 5/16" X 2"
3	SN5146		LOOSE BUSHING
4	SN1679		1" X 3" CLEVIS PIN
	SN1036		PIN CLIP
5	SN5164		STABILIZER ARM
	SN669-1		5/8" LOCK NUT
6	SN2560		1 1/8" X 7 1/2" HEX BOLT
	SN2561		1 1/8" LOCK WASHER
	SN1300		1 1/8" HEX NUT
7	SN5305		RIGHT INSERT WING FRAME
8	SN3052		5/8" X 5 5/8" X 4 3/4" W. U-BOLT
	SN669-1		5/8" LOCK NUT
9	SN4968		4-HOLE CLAMP PLATE
10	SN5117		RIGHT WING BRACE
11	SN5252		1" X 6 9/16" PIN
	SN1946		1" I.D. X 1 1/4" O.D. WEAR BUSHING
	SN245		1" FLAT WASHER
	SN3164		ROLLPIN, 5/16" X 2"
12	SN5118		LEFT WING BRACE
13	SN5304		LEFT INSERT WING FRAME
14	SN5167		STABILIZER ARM
	SN669-1		5/8" LOCK NUT
15	SN5115		LEFT WING FRAME
16	SN5166		WING LOCK OUT
17	SNFK150013		1" X 5" HEX BOLT
	SN1283		1" LOCK WASHER
	SN110		1" HEX NUT
18	SN5165		BUSHING
19	SNFK150053		GREASE ZERK 1/8" NPT, 65 DEG.

I0000046

SINGLE & TANDEM LIFT AXLE ASSEMBLY



0043

3070 FALLOW KING
SERVICE PARTS

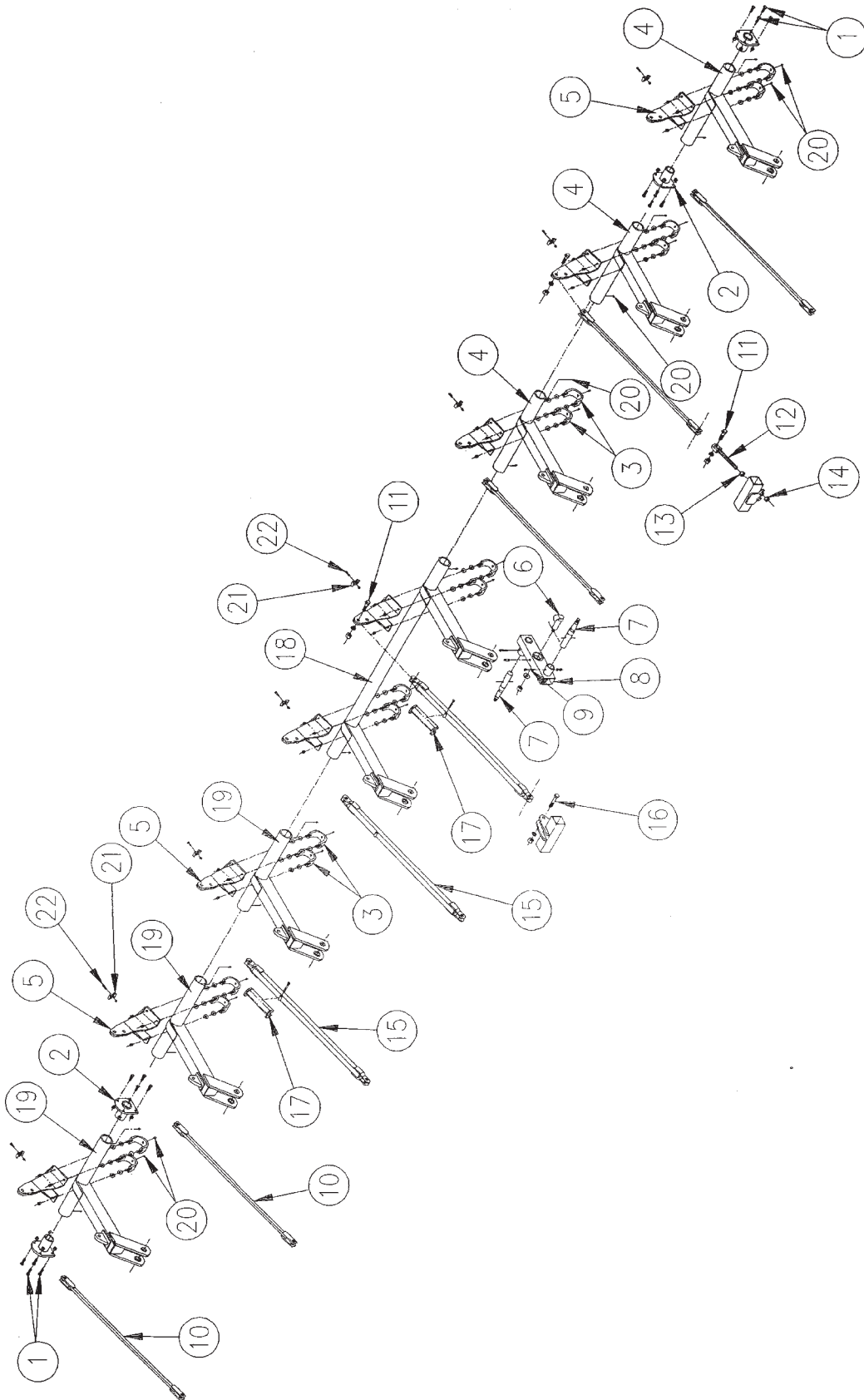
13

SINGLE & TANDEM LIFT AXLE ASSEMBLY

ITEM	NUMBER	QTY	DESCRIPTION
1	SN670		5/8" X 2" HEX BOLT
	SN669-1		5/8" LOCK NUT
2	SN5130		LIFT BEARING
3	SN5131		CYLINDER BRACKET BEARING
	SN2089		5/8" FLAT WASHER
	SN669-1		5/8" LOCK NUT
4	SN5127		SINGLE LIFT, LEFT (2" SPINDLE)
5	SN5132		LIFT CYLINDER BRACKET
6	SN4776		2" X 14 5/8" SPINDLE
7	SN2585		7/16" X 3 1/2" HEX BOLT
	SN302		7/16" LOCK WASHER
	SN303		7/16" HEX NUT
8	SN5134		LIFT ARM
9	SNFK150074		1" X 3" HEX BOLT
	SN1283		1" LOCK WASHER
	SN110		1" HEX NUT
10	SN3150		LIFT ARM ADJUSTMENT BOLT
11	SN1849		1" JAM NUT
12	SN110		1" HEX NUT
13	SN3299		2" X 13 1/4" SPINDLE
14	SN2991		TANDEM AXLE SPINDLE
	SN245		1" FLAT WASHER
	SN2992		1" SLOTTED NUT
	SN3066		7/32" X 1 1/2" COTTER PIN
15	SN5129R		TANDEM PIVOT
	SN2098-5		GREASE ZERK, 1/8" NPTF, 1 1/4" L.
	SN3063		WALKING BEAM SEAL (NAT.204035,CR22870)
	SN3062		WALKING BEAM RACE (332)
	SN3061		WALKING BEAM BEARING (342A)
16	SNFK150013		1" X 5" HEX BOLT
	SN1283		1" LOCK WASHER
	SN110		1" HEX NUT
17	SN5133		LIFT ARM W/PIN HOLDER
18	SN7785R		TRANSPORT LOCK
	SN5201		BALL LOCK PIN, 3/8" X 3"
19	SN5123		TANDEM LIFT, CENTER
20	SN5126		TANDEM LIFT, RIGHT
21	SN5124		SINGLE LIFT, RIGHT (2" SPINDLE)
22	SNZK142890		GREASE ZERK
23	SN5302		PIPE CLAMP
24	SN175		3/8" X 1 1/2" HEX BOLT
	SN3566		3/8" LOCK NUT

I0000043

TANDEM LIFT AXLE ASSEMBLY



0044

3070 FALLOW KING
SERVICE PARTS

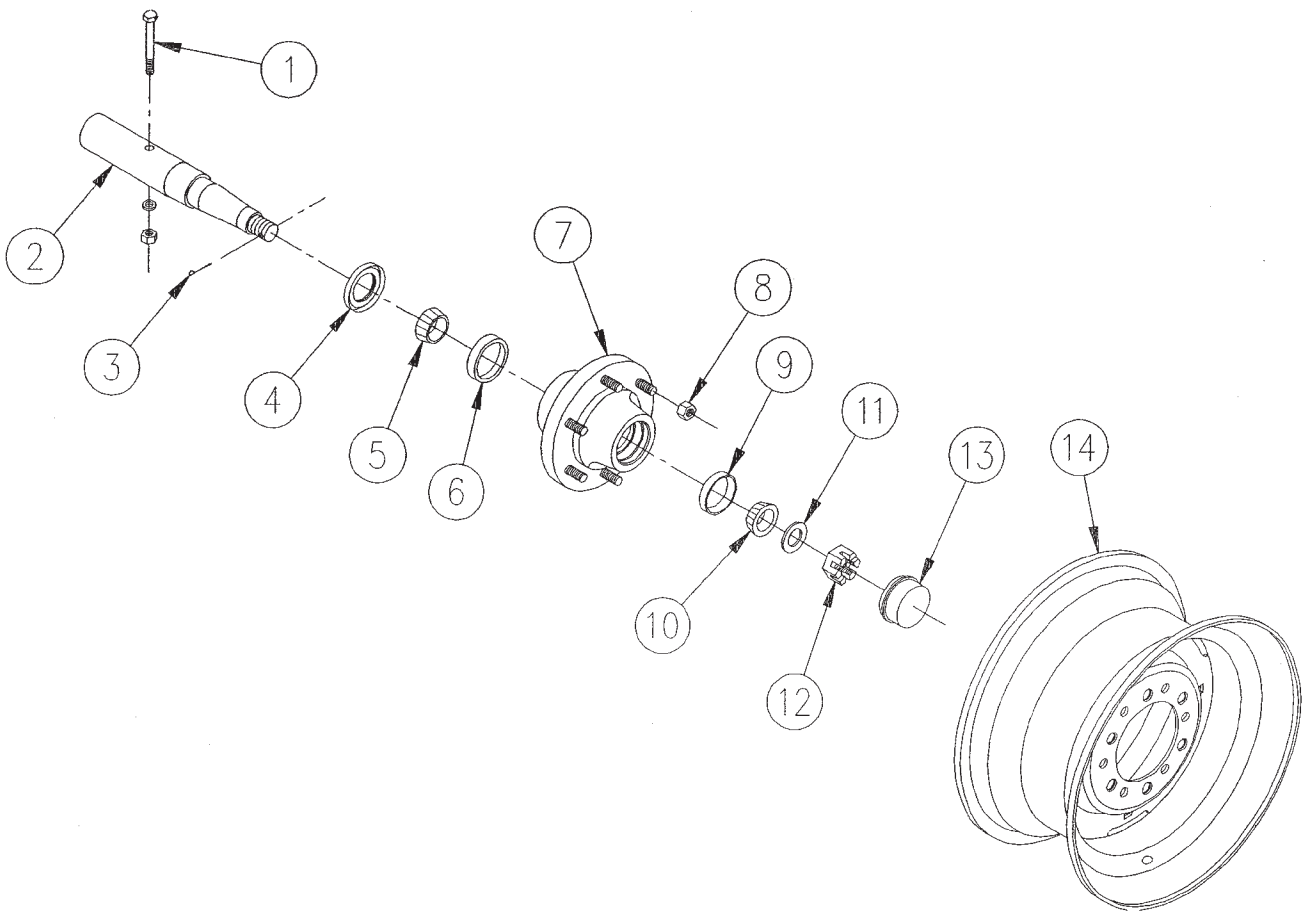
15

TANDEM LIFT AXLE ASSEMBLY

ITEM	NUMBER	QTY	DESCRIPTION
1	SN670		5/8" X 2" HEX BOLT
	SN669-1		5/8" LOCK NUT
2	SN5130		LIFT BEARING
3	SN5131		CYLINDER BRACKET BEARING
	SN2089		5/8" FLAT WASHER
	SN669-1		5/8" LOCK NUT
4	SN5128		TANDEM LIFT, LEFT
5	SN5132		LIFT CYLINDER BRACKET
6	SN2991		TANDEM AXLE SPINDLE
	SN245		1" FLAT WASHER
	SN2992		1" SLOTTED NUT
	SN3066		7/32" X 1 1/2" COTTER PIN
7	SN3299		2" X 13 1/4" SPINDLE
8	SN5129R		TANDEM PIVOT
	SN2098-5		GREASE ZERK, 1/8" NPTF, 1 1/4" L.
	SN3063		WALKING BEAM SEAL (NAT.204035,CR22870)
	SN3062		WALKING BEAM RACE (332)
	SN3061		WALKING BEAM BEARING (342A)
9	SN2585		7/16" X 3 1/2" HEX BOLT
	SN302		7/16" LOCK WASHER
	SN303		7/16" HEX NUT
10	SN5134		LIFT ARM
11	SNFK150074		1" X 3" HEX BOLT
	SN1283		1" LOCK WASHER
	SN110		1" HEX NUT
12	SN3150		LIFT ARM ADJUSTMENT BOLT
13	SN1849		1" JAM NUT
14	SN110		1" HEX NUT
15	SN5133		LIFT ARM W/PIN HOLDER
16	SNFK150013		1" X 5" HEX BOLT
	SN1283		1" LOCK WASHER
	SN110		1" HEX NUT
17	SN7785R		TRANSPORT LOCK
	SN5201		BALL LOCK PIN, 3/8" X 3"
18	SN5123		TANDEM LIFT, CENTER
19	SN5126		TANDEM LIFT, RIGHT
20	SNZK142890		GREASE ZERK
21	SN5302		PIPE CLAMP
22	SN175		3/8" X 1 1/2" HEX BOLT
	SN3566		3/8" LOCK NUT

I0000044

SIX BOLT HUB ASSEMBLY



**3070 FALLOW KING
SERVICE PARTS**

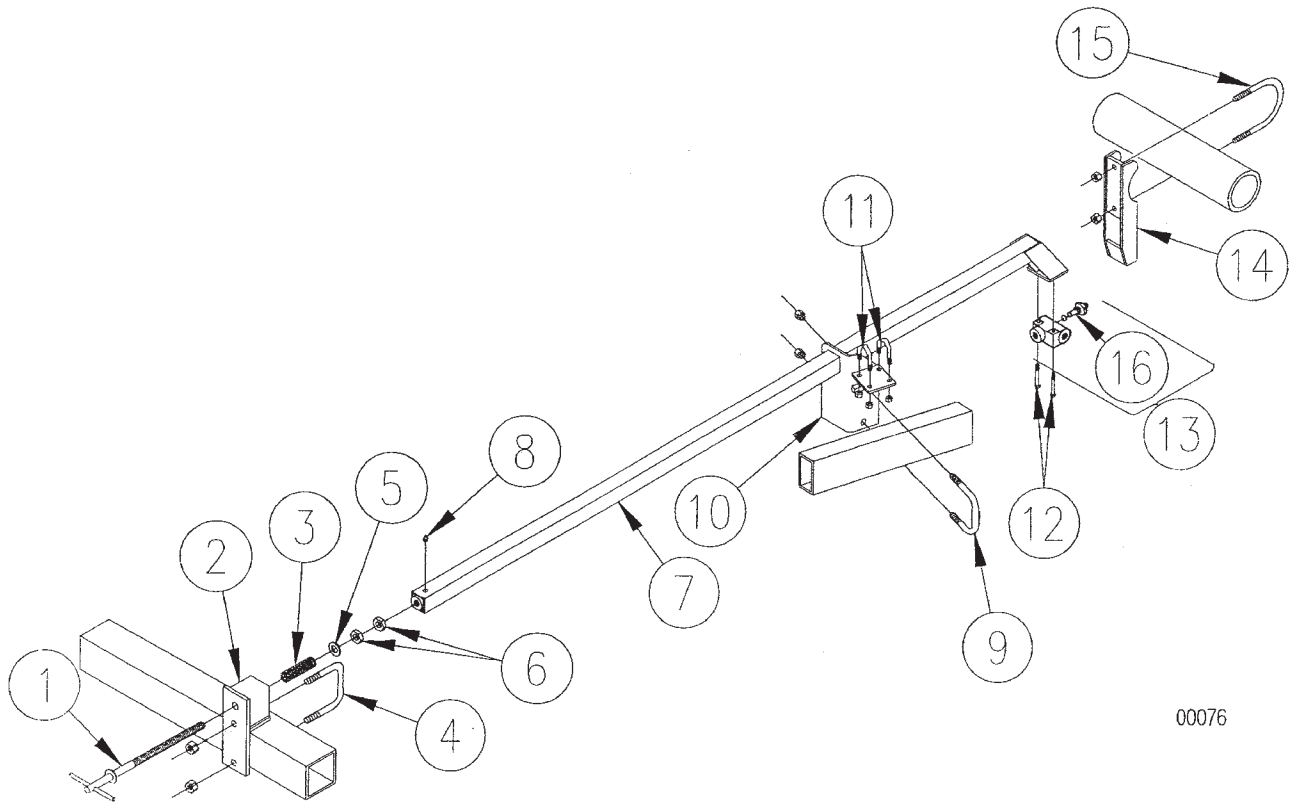
17

SIX BOLT HUB ASSEMBLY

ITEM	NUMBER	QTY	DESCRIPTION
1	SN2585		7/16" X 3 1/2" HEX BOLT
	SN302		7/16" LOCK WASHER
	SN303		7/16" HEX NUT
2	SN3299		2" X 13 1/4" SPINDLE, TANDEM TRANSPORT
	SN4776		2" X 14 5/8" SPINDLE, SINGLE TRANSPORT
3	SN3066		7/32" X 1 1/2" COTTER PIN
4	SN3301		TRIPLE LIP SEAL
5	SN1935		INNER BEARING (LM501349)
6	SN1936		INNER RACE (LM501310)
7	SN1937		SIX BOLT HUB
	SN3300		SIX BOLT HUB ASSEMBLY WITH 3301 SEAL (ITEMS 3 THRU 13)
8	SN3118		9/16" X 1 7/8" PRESS IN LUG BOLT
	SN3117		9/16" LUG NUT
9	SN1605		OUTER RACE (LM67010)
10	SN1606		OUTER BEARING (LM67048)
11	SN3303		1 1/32" I.D. X 1 3/4" O.D. WASHER
12	SN3302		1" SLOTTED FULL NUT
13	SN1610		DUST CAP
14	SN1944		WHEEL, 15 X 10, 6 BOLT
	SN3580		TIRE, 11L X 15, 8 PLY TUBELESS
	SN3058		TIRE, 11L, 8 PLY TUBELESS WITH 15 X 10 WHEEL ASSEMBLY, 6 BOLT
	SN5094		WHEEL, 15 X 6, 6 BOLT
	SN3578		TIRE, 9.5L X 15, 8 PLY TUBELESS
	SN5151		TIRE, 9.5L, 8 PLY TUBELESS WITH 15 X 6 WHEEL ASSEMBLY, 6 BOLT
	SN3579		TIRE, 9.5L X 15, 12 PLY TUBELESS
	SN5152		TIRE, 9.5L, 12 PLY TUBELESS WITH 15 X 6 WHEEL ASSEMBLY, 6 BOLT
	SN3577		VALVE STEM

I0000225

REMOTE DEPTH CONTROL ASSEMBLY



00076

3070 FALLOW KING
SERVICE PARTS

19

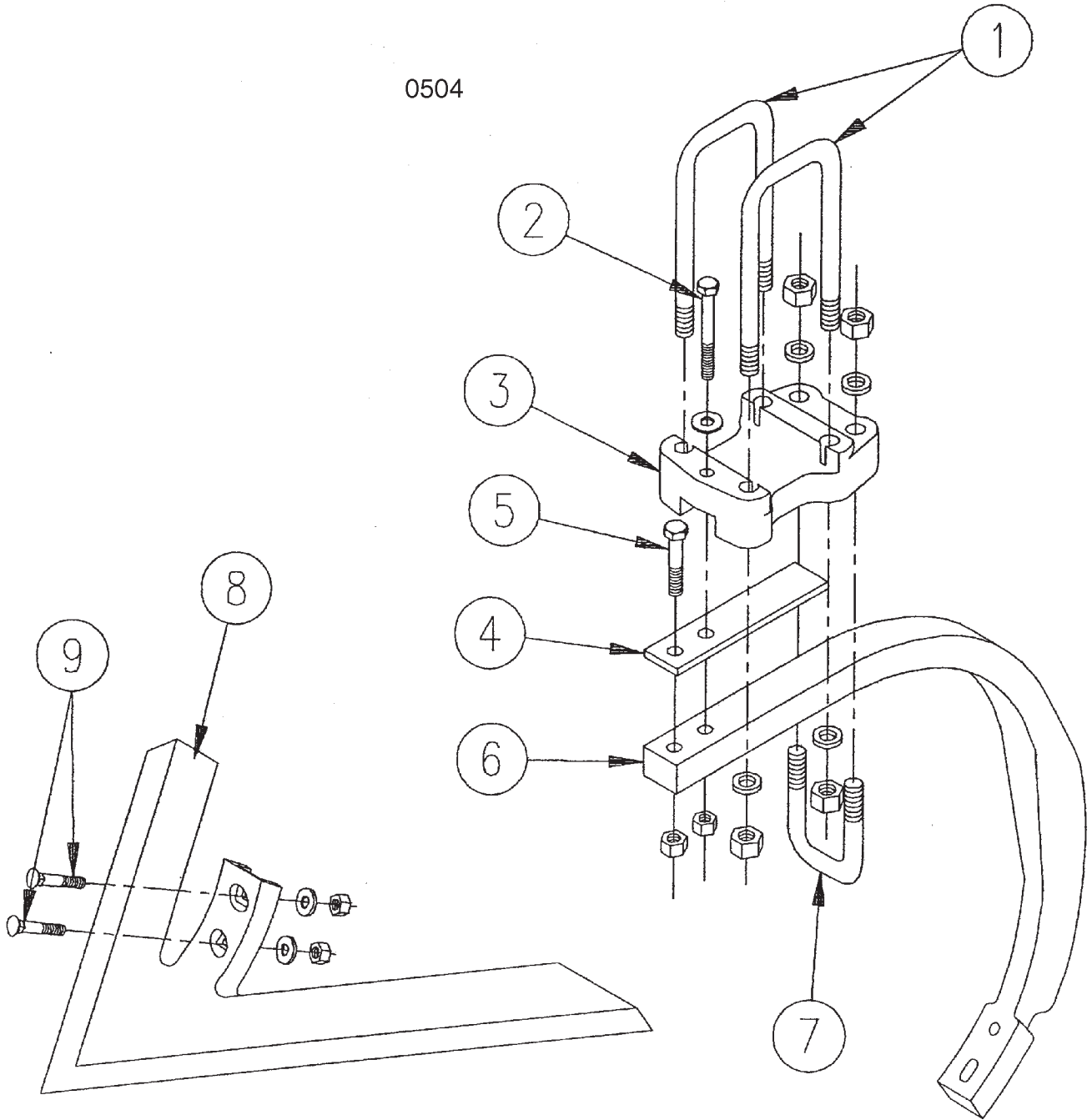
REMOTE DEPTH CONTROL ASSEMBLY

ITEM	NUMBER	QTY	DESCRIPTION
1	SN5137		THREADED REMOTE ADJUSTMENT
2	SN5135		FRONT TUBE MOUNT
3	SN4944		SPRING, 1.10" O.D.
4	SN3052		5/8" X 5 5/8" X 4 3/4" W. U-BOLT
	SN669-1		5/8" LOCK NUT
5	SN779		WASHER, 25/32" I.D.X 1 1/2" O.D.
6	SN1243		3/4" JAM NUT
7	SN5138		VALVE ADJUSTMENT TUBE, 85 7/16" LONG
8	SN2098-6		GREASE ZERK, 1/4"-28,L.
9	SN4638		1/2"X 3 1/4" X 4 1/2" W. U-BOLT
	SN2096		1/2" LOCK NUT
10	SN5136		GUIDE BRACKET
11	SN3894		3/8" X 1 1/2" W. TRI-BEND BOLT
	SN3566		3/8" LOCK NUT
12	SN1817		5/16" X 2 1/2" HEX BOLT
	SN3723		5/16" LOCK WASHER
	SN3724		5/16" HEX NUT
13	SN4732		DEPTH CONTROL VALVE ASSEMBLY
14	SN5139		ACTUATOR LEVER
15	SN5149		1/2" X 6 1/8" X 5" W. U-BOLT
	SN2096		1/2" LOCK NUT
16	SN8636-1		CARTRIDGE ASSY

I0000076

RIGID SHEAR BOLT SHANK ASSEMBLY

0504



3070 FALLOW KING
SERVICE PARTS

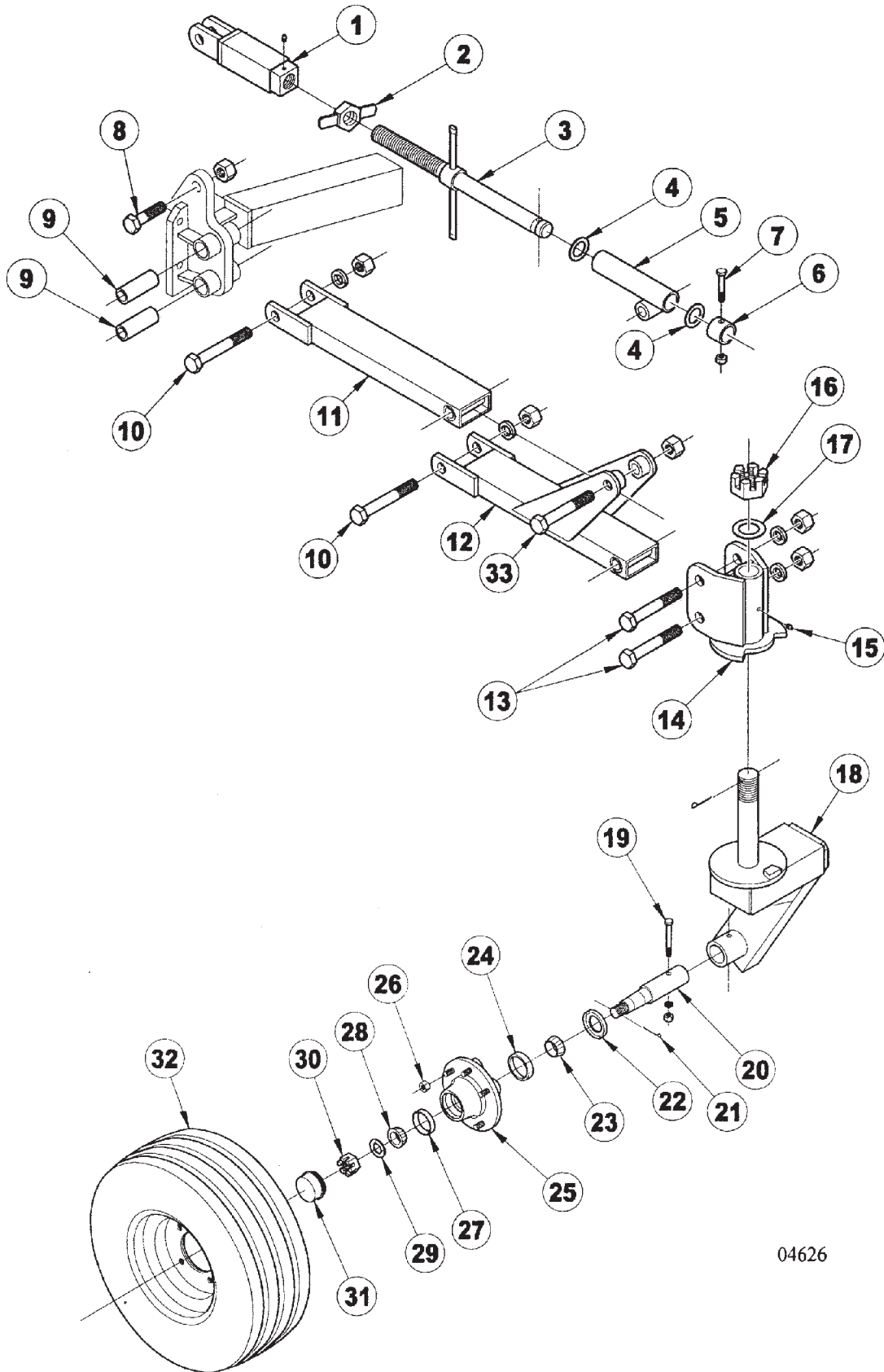
21

RIGID SHEAR BOLT SHANK ASSEMBLY

ITEM	NUMBER	QTY	DESCRIPTION
1	SN3877		3/4" X 6 3/4" X 4 13/16" W. U-BOLT
	SN1040		3/4" LOCK WASHER
	SN106		3/4" HEX NUT
2	SN3756		9/16" X 4 1/2" HEX BOLT, GRADE 5
	SN3759		9/16" FLAT WASHER
	SN3757		9/16" LOCK NUT
3	SN3751		SHANK CLAMP CASTING
4	SN3753		SHANK STOP
5	SN3758		5/8" X 3" HEX BOLT
	SN669-1		5/8" LOCK NUT
6	SN5540		SHANK, 1 1/2" X 2" X 30"
7	SN3754		3/4" X 4 1/4" X 3 3/8" W. U-BOLT
	SN1040		3/4" LOCK WASHER
	SN106		3/4" HEX NUT
	SN5556		RIGID SHEAR BOLT SHANK ASSY.(ITEMS 1-7)
8	SN5543		26" HFB STRAIGHT WING SWEEP
	SN7012		32" HFB STRAIGHT WING SWEEP
9	SN2949		1/2" X 3" PLOW BOLT
	SN5290		1/2" FLAT WASHER
	SNFK150213		1/2" HEX NUT

I0000504

GAUGE WHEEL ASSEMBLY



**3070 FALLOW KING
SERVICE PARTS**

23

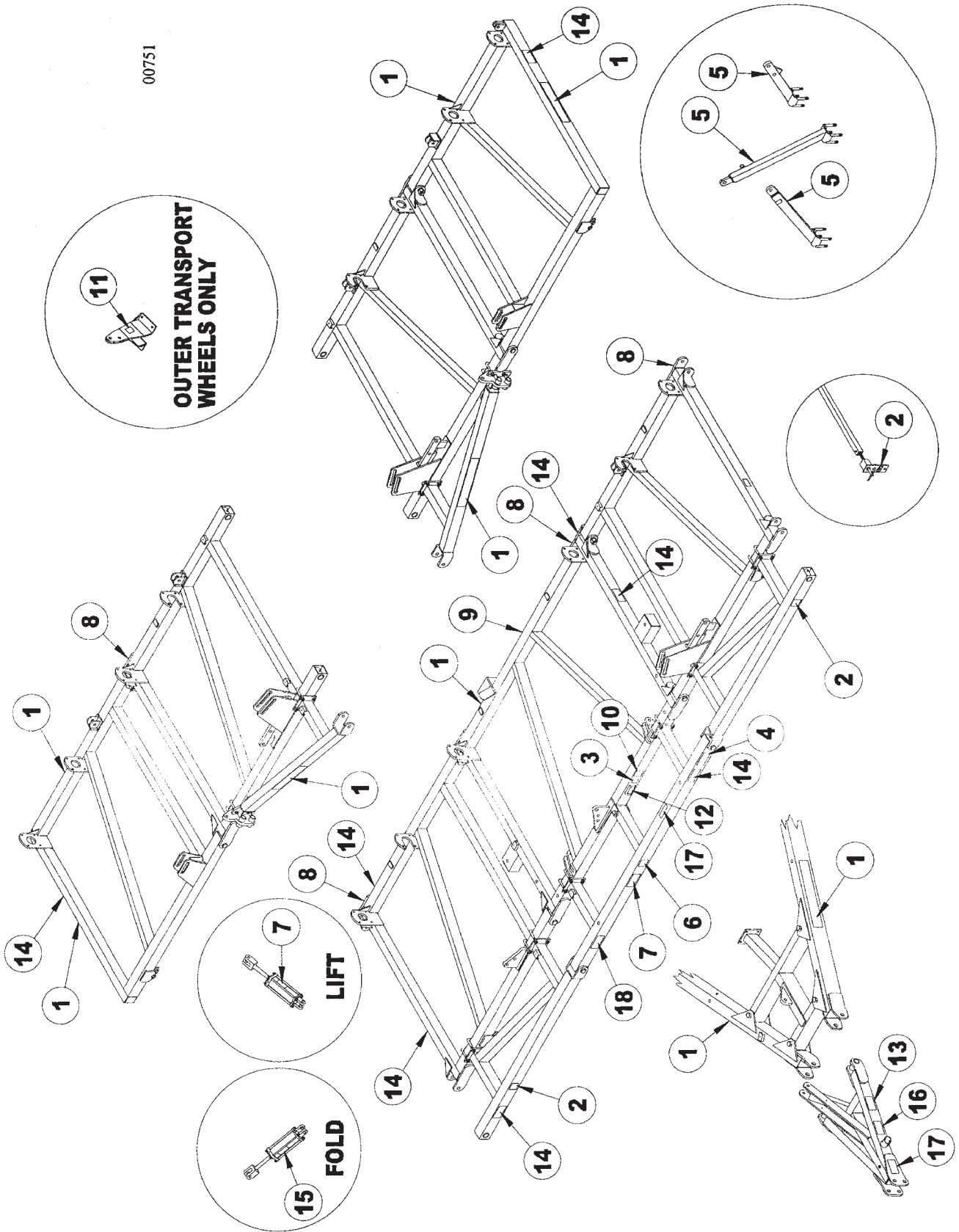
GAUGE WHEEL ASSEMBLY

ITEM	NUMBER	QTY	DESCRIPTION
1	SN2526		FEMALE LINKAGE
	SN2098-1		GREASE ZERK, 1/8" NPTF, 5/8" L.
2	SN2519		1 1/2" WING NUT
3	SN6296		CONNECTING LINK SCREW W/HANDLE
4	SN3095		FLAT WASHER, 1 1/2" I.D. X 2 1/4" O.D.
5	SN6298		CONNECTING LINK MOUNT
6	SN6297		CONNECTING LINK COLLAR
7	SN1304		1/2" X 2 3/4" HEX BOLT
	SN2096		1/2" LOCK NUT
	SN6287		CONNECTING LINK ASSY. (ITEMS 1 - 7)
8	SN155		1" X 3 1/2" HEX BOLT
	SN3938		1" LOCK NUT
9	SN5197		LOOSE BUSHING
10	SNFK150052		1" X 6" HEX BOLT
	SN1283		1" LOCK WASHER
	SN110		1" HEX NUT
11	SN5195		UPPER LINK
12	SN5196		LOWER LINK
13	SN1282		1" X 6 1/2" HEX BOLT
	SN1283		1" LOCK WASHER
	SN110		1" HEX NUT
14	SN5830		PIVOT PLATE
15	SN2098-1		GREASE ZERK, 1/8" NPTF, 5/8" L.
16	SN2036		1 3/4" SLOTTED NUT
17	SN2756		1 13/16" I.D. X 2 13/16" O.D. FLAT WASHER
18	SN5831		H.D. GAUGE WHEEL AXLE
	SN108		5/16" X 2 1/2" COTTER PIN
19	SN2585		7/16" X 3 1/2" HEX BOLT
	SN302		7/16" LOCK WASHER
	SN303		7/16" HEX NUT
20	SN3309		GAUGE WHEEL SPINDLE, 1 3/4" X 8 1/2"
21	SN1609		3/16" X 1 1/2" COTTER PIN
22	SN1799		TRIPLE LIP SEAL (C/R 17618)
23	SN1602		INNER BEARING (LM48548)
24	SN1603		INNER RACE (LM48510)
25	SN1604		FIVE BOLT HUB WITH RACES
	SN2799		FIVE BOLT HUB ASSEMBLY (ITEMS 22 - 32)
26	SN1611-1		1/2" X 2" LUG BOLT
	SN1611		1/2" LUG NUT
27	SN1605		OUTER RACE (LM67010)
28	SN1606		OUTER BEARING (LM67048)
29	SN3303		1 1/32" I.D. X 1 3/4" O.D. WASHER
30	SN3302		1" SLOTTED FULL NUT
31	SN1610		DUST CAP
32	SN2390		WHEEL, 6 X 10
	SN2801		TIRE, 20.5 X 8 X 10 WHEEL ASSEMBLY
	SN2391		TIRE, 20.5 X 8 X 10
	SN2392		TUBE, 20.5 X 8 X 10
	SN5833		GAUGE WHEEL ASSEMBLY W/STOP (ITEMS 1 - 32)
33	SN1282		HEX BOLT, 1"-8 X 6 1/2", GR 5, Y/D
	SN3938		LOCK NUT, 1"-8 HEX NYLON INSERT, GR2, Y/D

I0004626

SAFETY AND IDENTIFICATION DECALS

00751



**OUTER TRANSPORT
WHEELS ONLY**

LIFT

FOLD

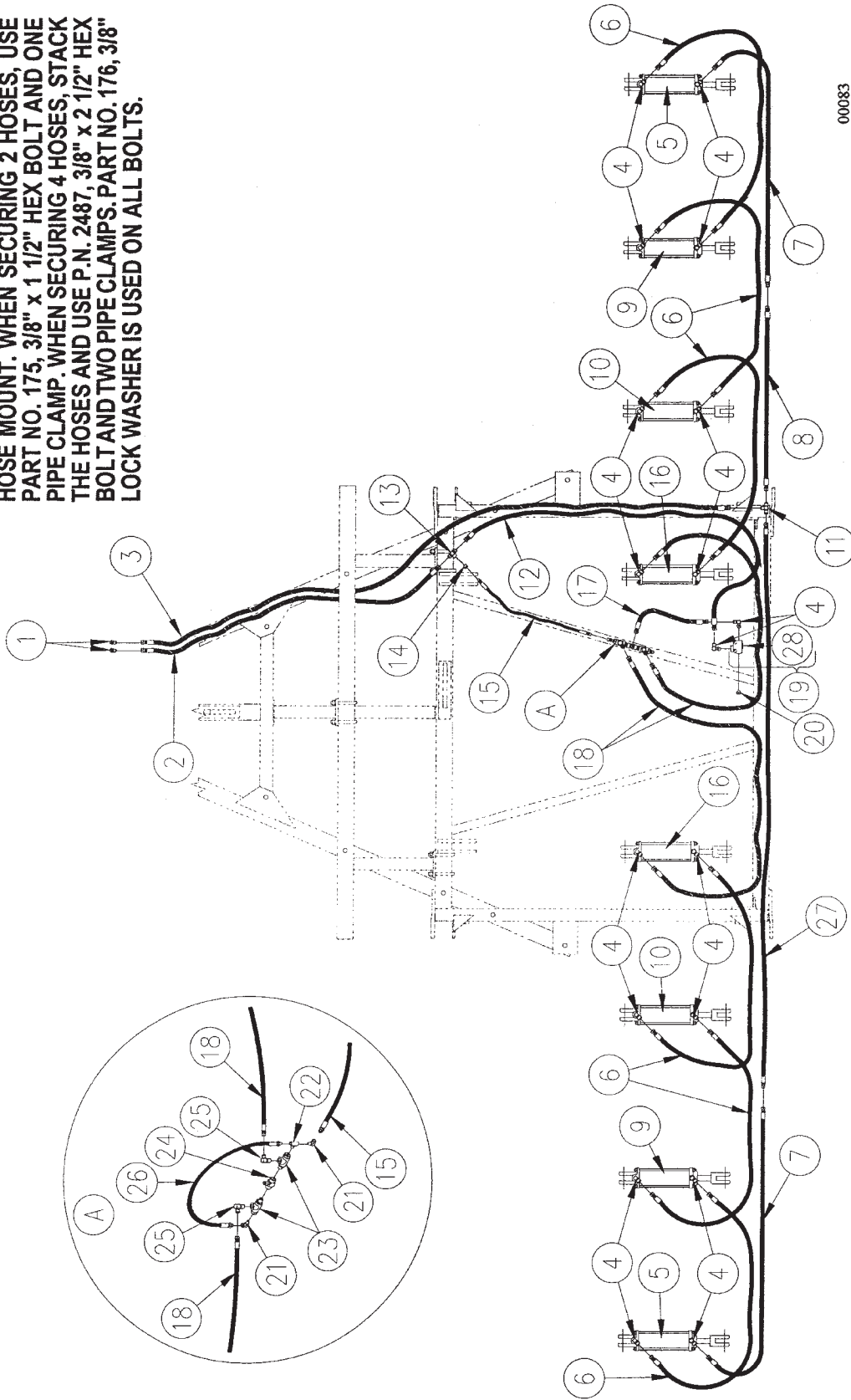
SAFETY AND IDENTIFICATION DECALS

ITEM	NUMBER	QTY	DESCRIPTION
1	SN997002		SUNFLOWER DECAL (SHOWN)
2	SN997317		DIRECTIONAL DEPTH INDICATOR
3	SN997246		FEMA SYMBOL
4	SN997041		AMBER REFLECTIVE TAPE
5	SN997313		CAUTION-INSTALL LOCK PIN(S)
6	SN997314		IMPORTANT-LIFT WHEELS MUST BE USED
7	SN997052		IMPORTANT-REPHASING HYD. SYSTEM
8	SN997040		RED REFLECTIVE TAPE
9	SN997177		3070 SERIES NUMBER (SHOWN)
	SN997284		3170 SERIES NUMBER
10	SN997263		TILLAGE PROMOTES SAFER ENVIRONMENT
11	SN997312		WARNING-MECHANICAL OR HYD. FAILURE
12			SERIAL NUMBER PLATE
13	SN997311		WARNING- HIGH PRESSURE FLUID HAZARD
14	SN997042		DANGER-OVERHEAD WING HAZARD
15	SN997309		WARNING-HYDRAULIC SYSTEM HAZARD
16	SN997048		CAUTION- TOWING HAZARD
17	SN997043		CAUTION-READ OPERATOR'S MANUAL
18	SN997045		DANGER - ELECTROCUTION HAZARD

I0000751

HYDRAULIC LIFT SYSTEM (VERSION 1)

PART NO. 5302 PIPE CLAMP IS USED AT EACH HOSE MOUNT. WHEN SECURING 2 HOSES, USE PART NO. 175, 3/8" x 1 1/2" HEX BOLT AND ONE PIPE CLAMP. WHEN SECURING 4 HOSES, STACK THE HOSES AND USE P.N. 2487, 3/8" x 2 1/2" HEX BOLT AND TWO PIPE CLAMPS. PART NO. 176, 3/8" LOCK WASHER IS USED ON ALL BOLTS.



00083

HYDRAULIC LIFT SYSTEM (Version 1)

**3070 FALLOW KING
SERVICE PARTS**

27

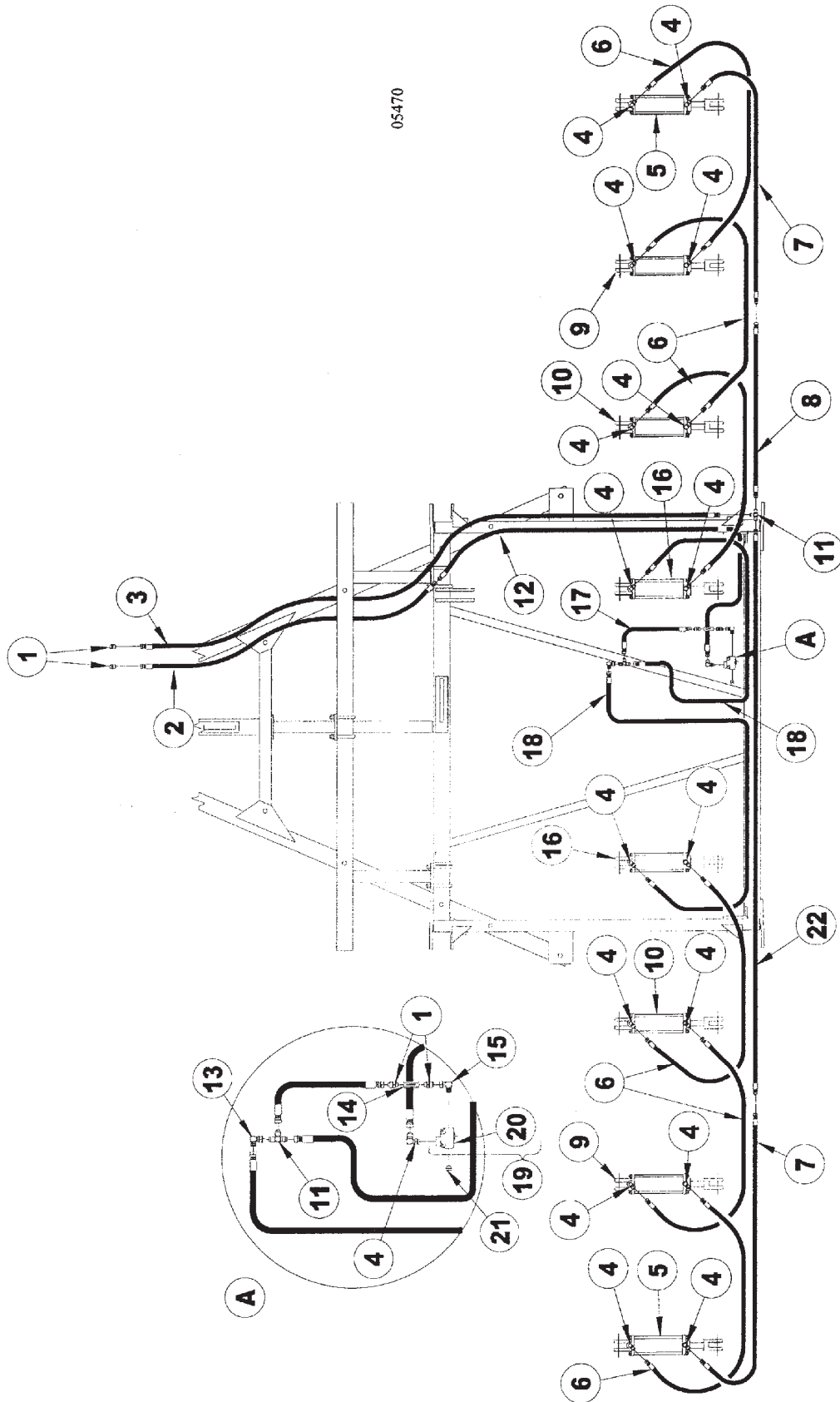
HYDRAULIC LIFT SYSTEM (VERSION 1)

ITEM	NUMBER	QTY	DESCRIPTION
1	SN2426		MALE CONNECTOR, 7/8"-14 M.F. X 1/2"-14 M.P.T
2	SN4166005		HOSE, 1/2" X 166" LONG, FEMALE ENDS
3	SN4255005		HOSE, 1/2" X 255" LONG, FEMALE ENDS
4	SN4456		90 DEG. STRAIGHT THREAD ELBOW, 7/8"-14 M.F. X 3/4"-16 O.R.
5	SN4433R		3 1/4" X 10" REPHASING CYLINDER (22 1/4" CPC) CROSS
6	SN4170005		HOSE, 1/2" X 170" LONG, FEMALE ENDS
7	SN4130006		HOSE, 1/2" X 130" LONG; MALE TO FEMALE ENDS
8	SN4117005		HOSE, 1/2" X 117" LONG, FEMALE ENDS
9	SN4432R		3 1/2" X 10" REPHASING CYLINDER (22 1/4" CPC) CROSS
10	SN4431R		3 3/4" X 10" REPHASING CYLINDER (22 1/4" CPC)CROSS
11	SN4460		UNION TEE, 7/8"-14 M.F.
12	SN4146005		HOSE, 1/2" X 146" LONG, FEMALE ENDS
13	SN4453		FEMALE BRANCH TEE, 7/8"-14 M.F. X 1/2" F.P.T.
14	SNFK330283		BUSHING, 1/2" X 1/4" PIPE REDUCER
15	SN4067007		HOSE, 1/2" X 67" LONG, MALE PIPE ENDS
16	SN4430R		4" X 10" REPHASING CYLINDER (22 1/4" CPC) CROSS
17	SN4029005		HOSE, 1/2" X 29" LONG, FEMALE ENDS
18	SN4098005		HOSE, 1/2" X 98" LONG, FEMALE ENDS
19	SN4732		DEPTH CONTROL VALVE ASSEMBLY
20	SN4458		PLUG, 3/4"-16 O.R.
21	SN4480		90 DEG. STREET ELBOW, 1/4"-18 M.P.T. X 1/4"-18 F.P.T.
22	SN4481		MALE BRANCH TEE, 1/4"-18 M.P.T. X 1/4"-18 F.P.T
23	SN5154		CHECK VALVE, PILOT OPERATED
24	SN4471		TUBE BRANCH TEE, 7/8"-14 M.F. X 1/2"-14 F.P.T.
25	SN2428		90 DEG. MALE ELBOW, 7/8"-14 M.F. X 1/2"-14 M.P.T.
26	SN4021007		HOSE, 1/4" X 21" LONG, MALE PIPE ENDS
27	SN4218005		HOSE, 1/2" X 218" LONG, FEMALE ENDS
28	SN8636-1		CARTRIDGE ASSEMBLY

I0000083

3070 FALLOW KING
SERVICE PARTS

HYDRAULIC LIFT SYSTEM (VERSION 2)



**3070 FALLOW KING
SERVICE PARTS**

29

HYDRAULIC LIFT SYSTEM (VERSION 2)

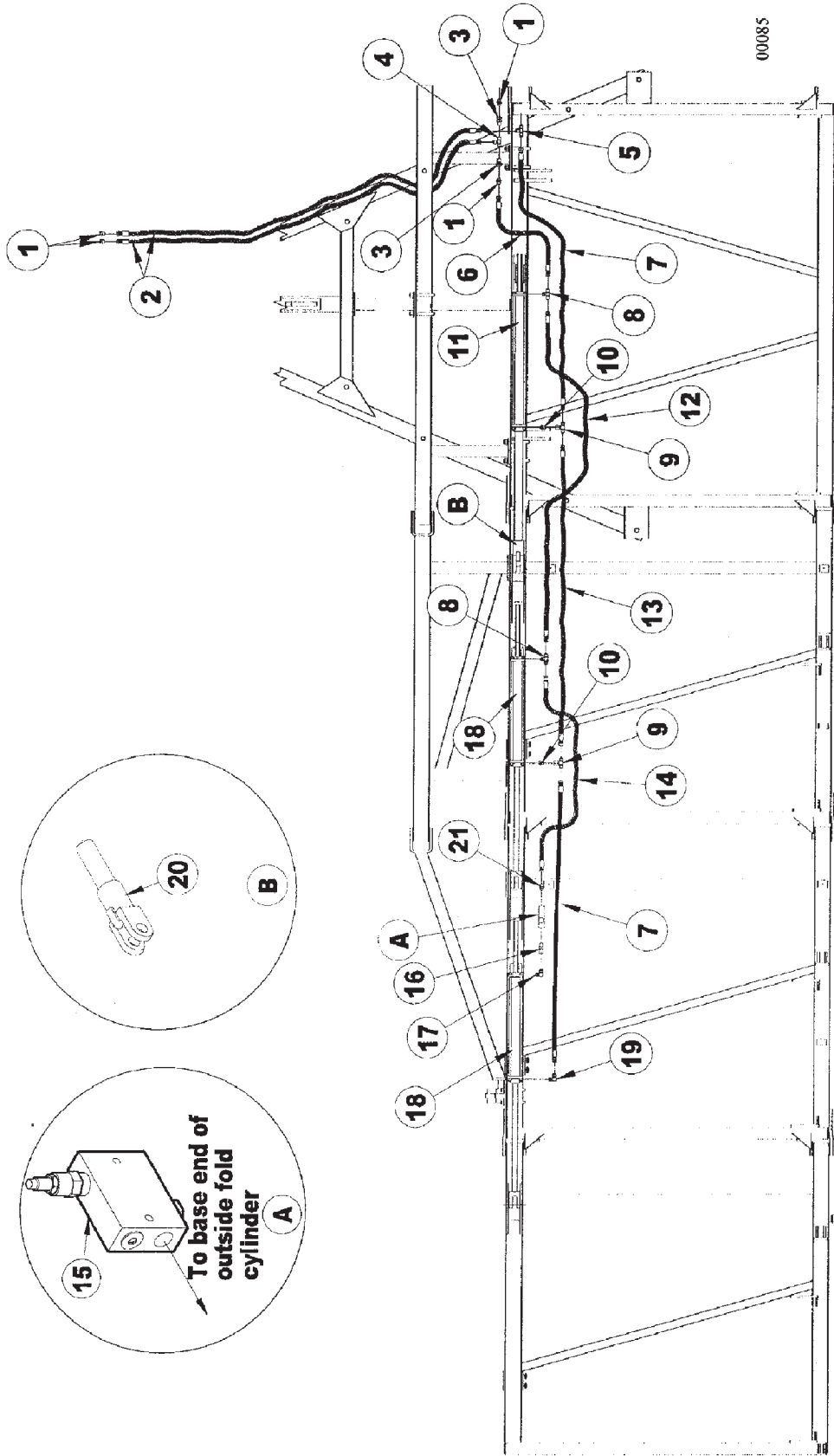
ITEM	NUMBER	QTY	DESCRIPTION
1	SN2426		MALE CONNECTOR, 7/8"-14 M.F. X 1/2"-14 M.P.T
2	SN4166005		HOSE, 1/2" X 166" LONG, FEMALE ENDS
3	SN4255005		HOSE, 1/2" X 255" LONG, FEMALE ENDS
4	SN4456		90 DEG. STRAIGHT THREAD ELBOW, 7/8"-14 M.F. X 3/4"-16 O.R.
5	SN4433R		3 1/4" X 10" REPH CYLINDER(22 1/4" CPC) CROSS (*VERSION 1, PRIOR TO 4/09/03)
	SN10817		CYLINDER, 3 1/4" X 10" (22 1/4"CPC)CROSS 3000 PSI (*VERSION 2, 4/09/03 & LATER)
6	SN4170005		HOSE, 1/2" X 170" LONG, FEMALE ENDS
7	SN4130006		HOSE, 1/2" X 130" LONG; MALE TO FEMALE ENDS
8	SN4117005		HOSE, 1/2" X 117" LONG, FEMALE ENDS
9	SN4432R		3 1/2" X 10" REPHASING CYLINDER (22 1/4" CPC) CROSS (*VERSION 1)
	SN10816		CYLINDER, 3 1/2" X 10" REPH (22 1/4"CPC) ORB CROSS, 3000 PSI (*VERSION 2)
10	SN4431R		3 3/4" X 10" REPH CYLINDER (22 1/4" CPC) CROSS (*VERSION 1, PRIOR TO 4/09/03)
	SN10815		CYLINDER, 3 3/4" X 10" (22 1/4"CPC)CROSS 3000 PSI (*VERSION 2, 4/09/03 & LATER)
11	SN4460		UNION TEE, 7/8"-14 M.F.
12	SN4146005		HOSE, 1/2" X 146" LONG, FEMALE ENDS
13	SN4478		90 DEG SWIVEL ELBOW, 7/8"- 14 MF X 7/8"-14 FF
14	SN4484		IN LINE RESTRICTOR, 1/2-14 FPT, W/5/32" REST
15	SN5347		90 DEG SWIVEL ELBOW, 7/8"-14 FF X 3/4"-16 MOR
16	SN4430R		4" X 10" REPHASING CYLINDER (22 1/4" CPC) CROSS (*VERSION 1)
	SN10814		CYLINDER, 4" X 10" REPH (22 1/4" CPC) ORB CROSS, 3000 PSI (*VERSION 2)
17	SN4029005		HOSE, 1/2" X 29" LONG, FEMALE ENDS
18	SN4098005		HOSE, 1/2" X 98" LONG, FEMALE ENDS
19	SN4732		DEPTH CONTROL VALVE ASSEMBLY
20	SN8636-1		CARTRIDGE ASSY, CROSS
21	SN4458		PLUG, 3/4"-16 O.R.
22	SN4218005		HOSE, 1/2" X 218" L, FEMALE ENDS

*NOTE: WHEN ORDERING HYDRAULIC CYLINDER
COMPONENTS, NOTE THE PART NUMBER AND THE
CYLINDER PSI. (LOCATED ON THE CYLINDER
DECAL) AS THEY CONTAIN DIFFERENT
COMPONENTS.

I0005470

HYDRAULIC FOLD SYSTEM, LEFT HALF

PART NO. 5302 PIPE CLAMP IS USED AT EACH HOSE MOUNT. WHEN SECURING 2 HOSES, USE PART NO. 175, 3/8" x 1 1/2" HEX BOLT AND ONE PIPE CLAMP. WHEN SECURING 4 HOSES, STACK THE HOSES AND USE P.N. 2487, 3/8" x 2 1/2" HEX BOLT AND TWO PIPE CLAMPS. PART NO. 176, 3/8" LOCK WASHER IS USED ON ALL BOLTS.



00085

**3070 FALLOW KING
SERVICE PARTS**

31

HYDRAULIC FOLD SYSTEM, LEFT HALF

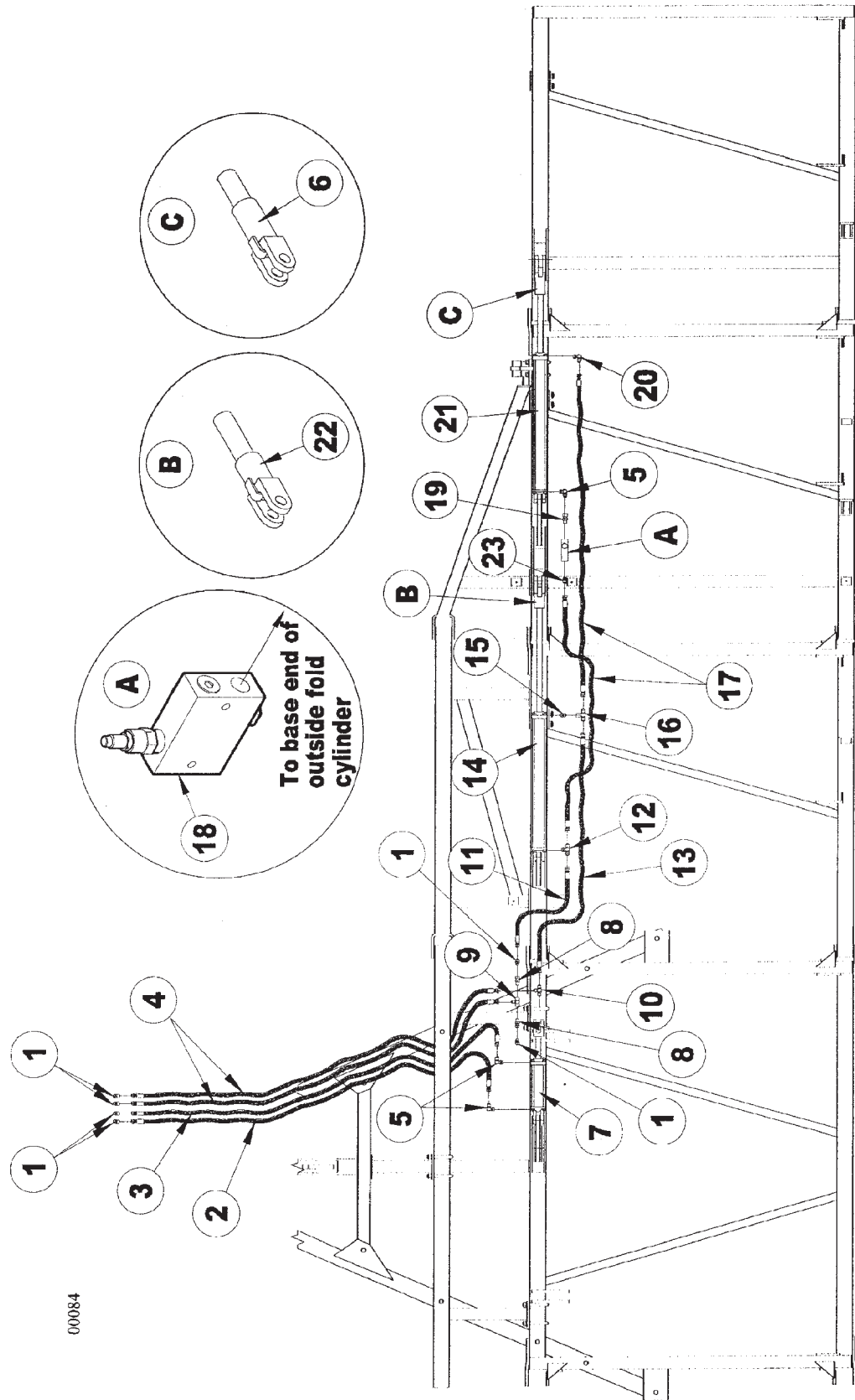
ITEM	NUMBER	QTY	DESCRIPTION
1	SN2425		MALE CONNECTOR, 3/4"-16 M.F. X 1/2"-14 M.P.T.
2	SN4172002		HOSE, 3/8" X 172" LONG, FEMALE ENDS
3	SN2076		STRAIGHT ADAPTOR UNION, 1/2"-14 PIPE THREAD WITH 1/16" RESTRICTOR
4	SN4470		TUBE BRANCH TEE, 3/4"-16 M.F. X 1/2"-14 F.P.T.
5	SN2429		UNION TEE, 3/4"-16 M.F.
6	SN4046002		HOSE, 3/8" X 46" LONG, FEMALE ENDS
7	SN4079002		HOSE, 3/8" X 79" LONG, FEMALE ENDS
8	SN4451		STRAIGHT THREAD BRANCH TEE, 3/4"-16 M.F. X 3/4"-16 O.R.
9	SN4473		SWIVEL NUT BRANCH TEE
10	SN4465		STRAIGHT THREAD CONNECTOR, 3/4"-16 M.F. X 3/4"-16 O.R.
11	SN4414R		5" X 30" FOLD CYLINDER (42 1/4" CPC) ORB (*VERSION 1)
	SN12035		CYLINDER, 5" X 30" FOLD (42 1/4" CPC) ORB CROSS, 3000 PSI (*VERSION 2)
12	SN4092002		HOSE, 3/8" X 92" LONG, FEMALE ENDS
13	SN4087002		HOSE, 3/8" X 87" LONG, FEMALE ENDS
14	SN4070002		HOSE, 3/8" X 70" LONG, FEMALE ENDS
15	SN10836		VALVE, COUNTERBALANCE
16	SN10837		MALE O.R. TO JIC SWIVEL CONNECTOR, 3/4-16 O.R. TO 3/4-16 F.F.
17	SN4454		90 DEG. STRAIGHT THREAD ELBOW, 3/4"-16 M.F. X 3/4"-16 O.R.
18	SN4405R		4" X 24" FOLD CYLINDER (34 1/4" CPC) ORB (*VERSION 1, PRIOR TO 4/17/03)
	SN10813		CYLINDER, 4" X 24" FOLD(34 1/4" CPC) CROSS, 3000 PSI (*VERSION 2, 4/17/03 & LATER)
19	SN4455		90 DEG. STRAIGHT THREAD ELBOW, 3/4"-16 M.F. X 3/4"-16 O.R. WITH 1/16" RESTRICTOR
20	SN5160		CYLINDER SPACER
21	SN4463		STRAIGHT THD.CONNECTOR, 3/4"-16 MF X 3/4"-16 MOR

*NOTE: WHEN ORDERING HYDRAULIC CYLINDER
COMPONENTS, NOTE THE PART NUMBER AND THE
CYLINDER PSI. (LOCATED ON THE CYLINDER
DECAL) AS THEY CONTAIN DIFFERENT
COMPONENTS.

I0000085

HYDRAULIC FOLD SYSTEM, RIGHT HALF

PART NO. 5302 PIPE CLAMP IS USED AT EACH HOSE MOUNT. WHEN SECURING 2 HOSES, USE PART NO. 175, 3/8" x 1 1/2" HEX BOLT AND ONE PIPE CLAMP. WHEN SECURING 4 HOSES, STACK THE HOSES AND USE P.N. 2487, 3/8" x 2 1/2" HEX BOLT AND TWO PIPE CLAMPS. PART NO. 176, 3/8" LOCK WASHER IS USED ON ALL BOLTS.



00084

**3070 FALLOW KING
SERVICE PARTS**

33

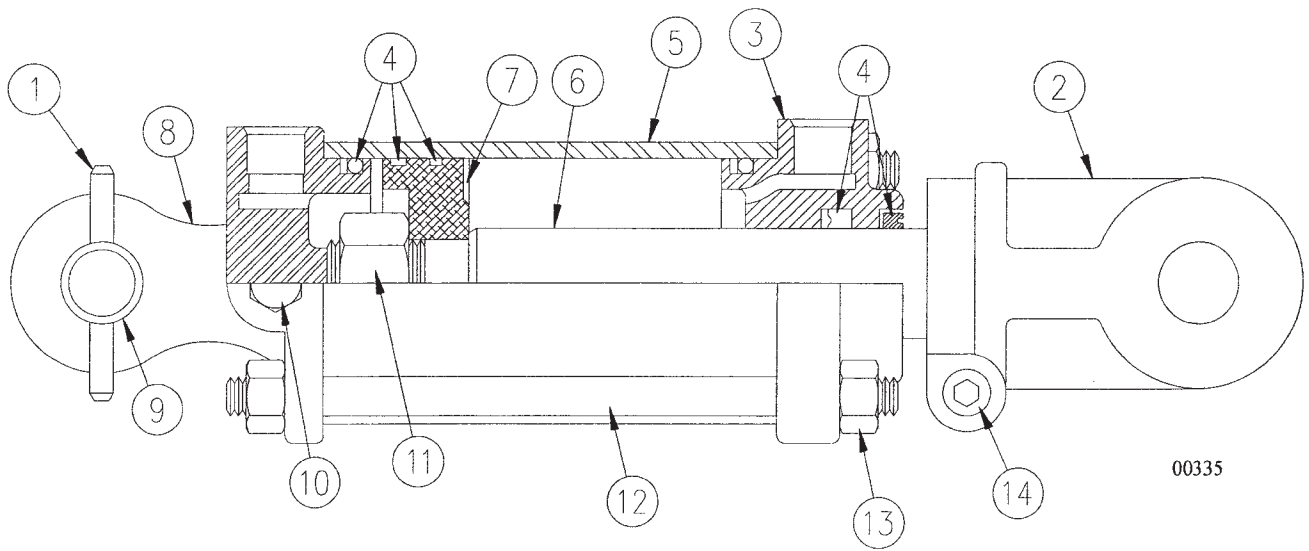
HYDRAULIC FOLD SYSTEM,RIGHT HALF

ITEM	NUMBER	QTY	DESCRIPTION
1	SN2425		MALE CONNECTOR, 3/4"-16 M.F. X 1/2"-14 M.P.T.
2	SN4200002		HOSE, 3/8" X 200" LONG, FEMALE ENDS
3	SN4188002		HOSE, 3/8" X 188" LONG, FEMALE ENDS
4	SN4172002		HOSE, 3/8" X 172" LONG, FEMALE ENDS
5	SN4454		90 DEG. STRAIGHT THREAD ELBOW, 3/4"-16 M.F. X 3/4"-16 O.R.
6	SN5161		CYLINDER SPACER
7	SN4446R		3" X 8" CYLINDER (20 1/4" CPC) (*VERSION 1)
	SN12049		CYLINDER, 3" X 8" (20 1/4"CPC) ORB CROSS 3000 PSI (*VERSION 2)
8	SN2076		STRAIGHT ADAPTOR UNION, 1/2"-14 PIPE THREAD WITH 1/16" RESTRICTOR
9	SN4470		TUBE BRANCH TEE, 3/4"-16 M.F. X 1/2"-14 F.P.T.
10	SN2429		UNION TEE, 3/4"-16 M.F.
11	SN4041002		HOSE, 3/8" X 41" LONG, FEMALE ENDS
12	SN4451		STRAIGHT THREAD BRANCH TEE, 3/4"-16 M.F. X 3/4"-16 O.R.
13	SN4082002		HOSE, 3/8" X 82" LONG, FEMALE ENDS
14	SN4403R		4" X 30" FOLD CYLINDER (40 1/4" CPC) ORB (*VERSION 1, PRIOR TO 4/17/03)
	SN10812		CYLINDER, 4" X 30" (40 1/4" CPC)ORB CROSS CROSS, 3000 PSI (*VERSION 2, 4/17/03 & LATER)
15	SN4465		STRAIGHT THREAD CONNECTOR, 3/4"-16 M.F. X 3/4"-16 O.R. WITH 1/16" RESTRICTOR
16	SN4473		SWIVEL NUT BRANCH TEE
17	SN4085002		HOSE, 3/8" X 85" LONG, FEMALE ENDS
18	SN10836		VALVE, COUNTERBALANCE
19	SN10837		MALE O.R. TO JIC SWIVEL CONNECTOR, 3/4-16 O.R. TO 3/4-16 F.F.
20	SN4455		90 DEG. STRAIGHT THREAD ELBOW, 3/4"-16 M.F. X 3/4"-16 O.R. WITH 1/16" RESTRICTOR
21	SN4405R		4" X 24" FOLD CYLINDER (34 1/4" CPC) ORB (*VERSION 1, PRIOR TO 4/17/03)
	SN10813		CYLINDER, 4" X 24" FOLD(34 1/4" CPC) CROSS, 3000 PSI (*VERSION 2, 4/17/03 & LATER)
22	SN5159		CYLINDER SPACER

*NOTE: WHEN ORDERING HYDRAULIC CYLINDER
COMPONENTS, NOTE THE PART NUMBER AND THE
CYLINDER PSI. (LOCATED ON THE CYLINDER
DECAL) AS THEY CONTAIN DIFFERENT
COMPONENTS.

I0000084

3" X 8" CROSS CYLINDER (VERSION 1)



00335

3070 FALLOW KING
SERVICE PARTS

35

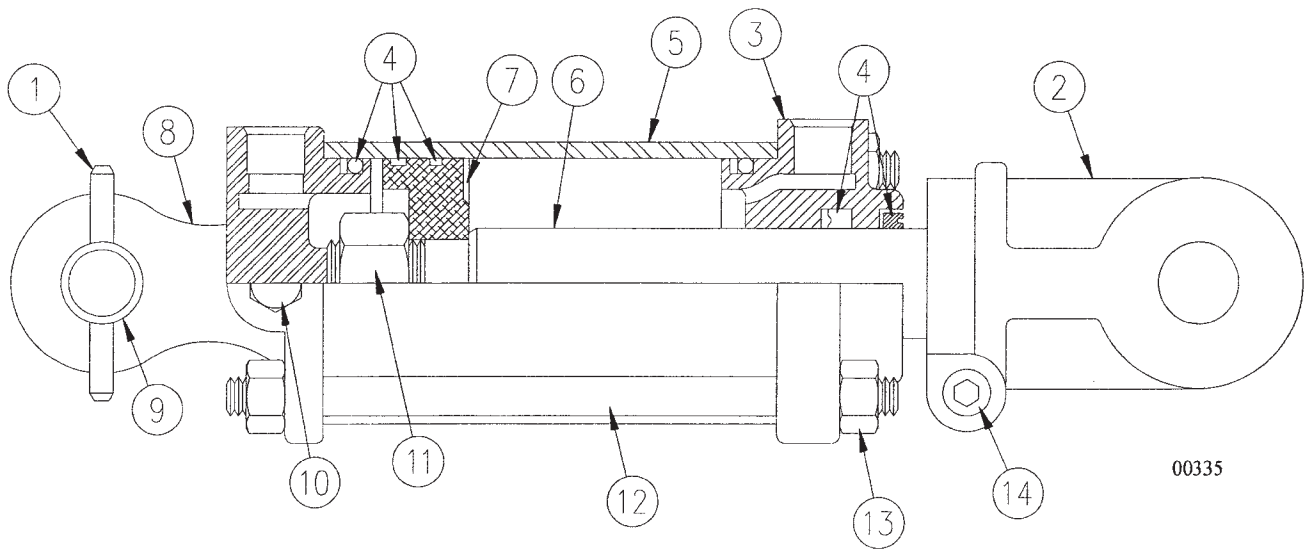
3" X 8" CROSS CYLINDER (VERSION 1)

ITEM	NUMBER	QTY	DESCRIPTION
1	SN3164		5/16" X 2" ROLL PIN
2	SN8615-1		CLEVIS, 1 1/4" THREADS
3	SN8719-10		HEAD, 3", 1 1/4" ROD
4	SN8762-1		SEAL KIT, 3", 1 1/4" ROD
5	SN8816-1		TUBE, 3" X 8"
6	SN8881-1		1 1/4" ROD
7	SN8711-1		PISTON, 3" W/3/4" HOLE
8	SN8701-10		BASE, 3"
9	SN5339		1" X 4 1/16" PIN
10	SN4458		PLUG, 3/4"-16 O.R.
11	SN8681-1		PISTON NUT, 3/4"
12	SN8846-1		TIE ROD BOLT
13	SN8866-1		TIE ROD NUT
14	SN8631-1		CAPSCREW
	SN8671-1		CAPSCREW NUT
	SN4446R		3" X 8" CROSS CYLINDER

NOTE: WHEN ORDERING HYDRAULIC CYLINDER COMPONENTS, NOTE THE PART NUMBER AND THE CYLINDER PSI. (LOCATED ON THE CYLINDER DECAL) AS THEY CONTAIN DIFFERENT COMPONENTS.

I0000335

3" X 8" CROSS CYLINDER (VERSION 2)



00335

3070 FALLOW KING
SERVICE PARTS

37

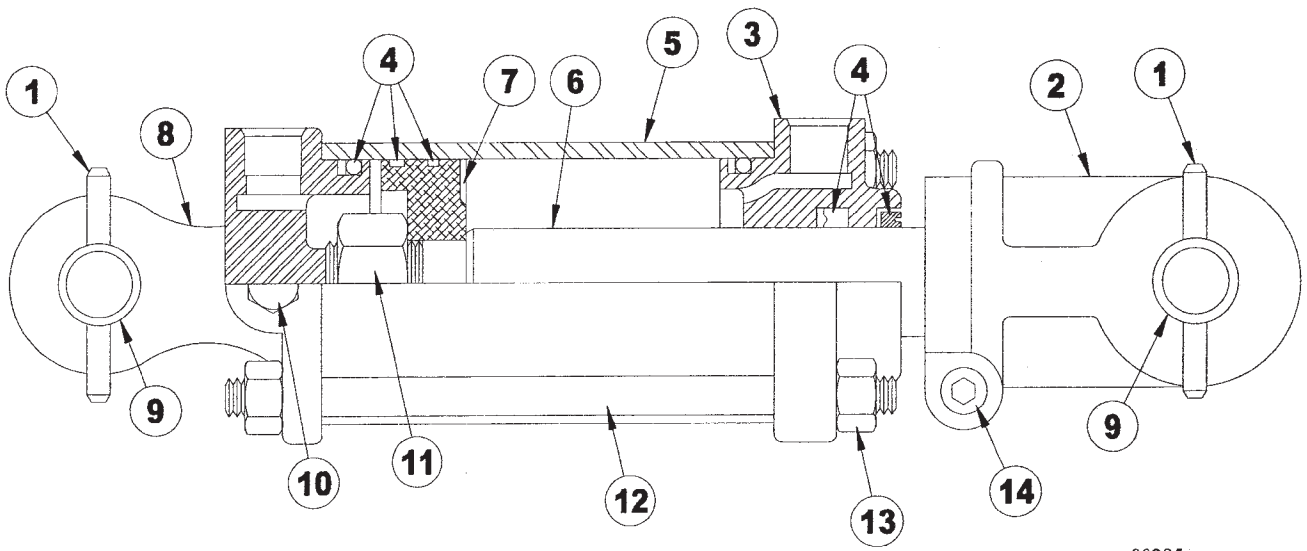
3" X 8" CROSS CYLINDER (VERSION 2)

ITEM	NUMBER	QTY	DESCRIPTION
1	SN3164		5/16" X 2" ROLL PIN
2	SN8615-1		CLEVIS, 1 1/4" THREADS
3	SN8931-10		HEAD, 3", 1 1/4" ROD
4	SN8939-1		SEAL KIT, 3", 1 1/4" ROD
5	SN12056		TUBE, 3" X 8"
6	SN12057		1 1/4" ROD
7	SN8937-1		PISTON, 3" W/3/4" HOLE
8	SN8938-10		BASE, 3"
9	SN5339		1" X 4 1/16" PIN
10	SN4458		PLUG, 3/4"-16 O.R.
11	SN8681-1		PISTON NUT, 3/4"
12	SN12058		TIE ROD BOLT
13	SN8866-1		TIE ROD NUT
14	SN8631-1		CAPSCREW
	SN8671-1		CAPSCREW NUT
	SN12049		3" X 8" CROSS CYLINDER 3000 PSI.

NOTE: WHEN ORDERING HYDRAULIC CYLINDER COMPONENTS, NOTE THE PART NUMBER AND THE CYLINDER PSI. (LOCATED ON THE CYLINDER DECAL) AS THEY CONTAIN DIFFERENT COMPONENTS.

I0000335

3 1/4" X 10" CROSS REPHASING CYLINDER
(VERSION 1)



00295

**3070 FALLOW KING
SERVICE PARTS**

39

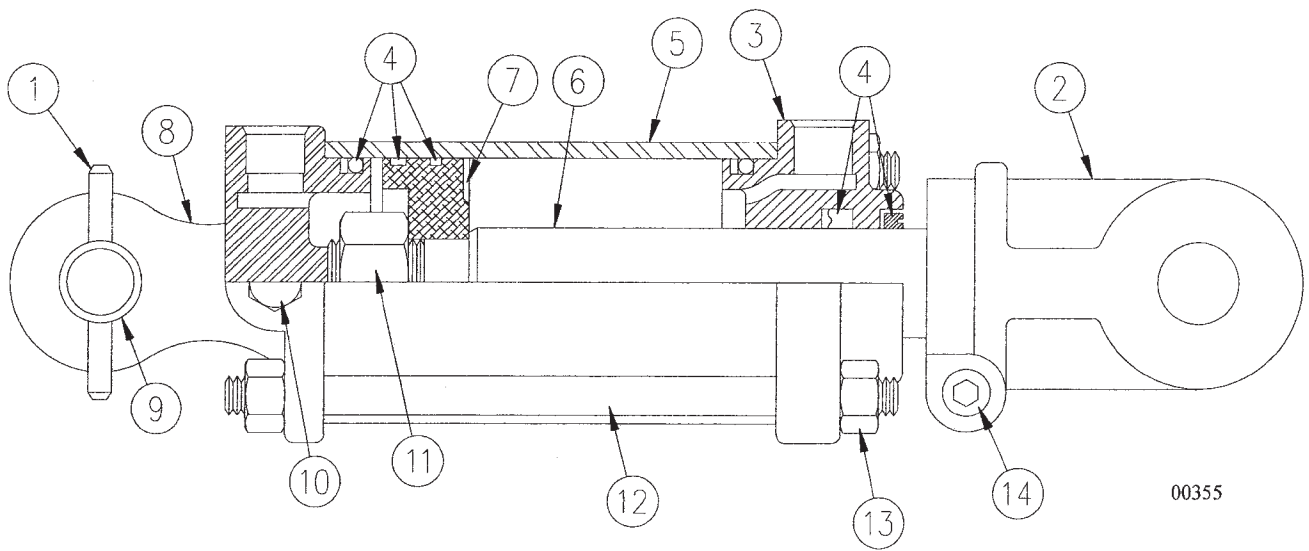
**3 1/4" X 10" CROSS REPHASING CYLINDER
(VERSION 1)**

ITEM	NUMBER	QTY	DESCRIPTION
1	SN3164		5/16" X 2" ROLL PIN
2	SN8610-1		CLEVIS, 1 1/4" THREADS, 1" PIN W/BUSHING
3	SN8725-10		HEAD, 3 1/4" , 1 1/4" ROD
4	SN8767-1		SEAL KIT, 3 1/4", 1 1/4" ROD
5	SN8820-1		TUBE, 3 1/4" X 10"
6	SN8890-1		1 1/4" ROD
7	SN8710-1		PISTON, 3 1/4"
8	SN8709-10		BASE, 3 1/4"
9	SN5339		1" X 4 1/16" PIN
10	SN4458		PLUG, 3/4"-16 O.R.
11	SN8683-1		PISTON NUT, 1"
12	SN8845-1		TIE ROD BOLT
13	SN8863-1		TIE ROD NUT
14	SN8631-1		CAPSCREW
	SN8671-1		CAPSCREW NUT
	SN4433R		3 1/4" X 10" REPHASING CYLINDER

NOTE: WHEN ORDERING HYDRAULIC CYLINDER COMPONENTS, NOTE THE PART NUMBER AND THE CYLINDER PSI. (LOCATED ON THE CYLINDER DECAL) AS THEY CONTAIN DIFFERENT COMPONENTS.

I0000295

3 1/4" X 10" CROSS REPHASING CYLINDER
(VERSION 2)



00355

**3070 FALLOW KING
SERVICE PARTS**

41

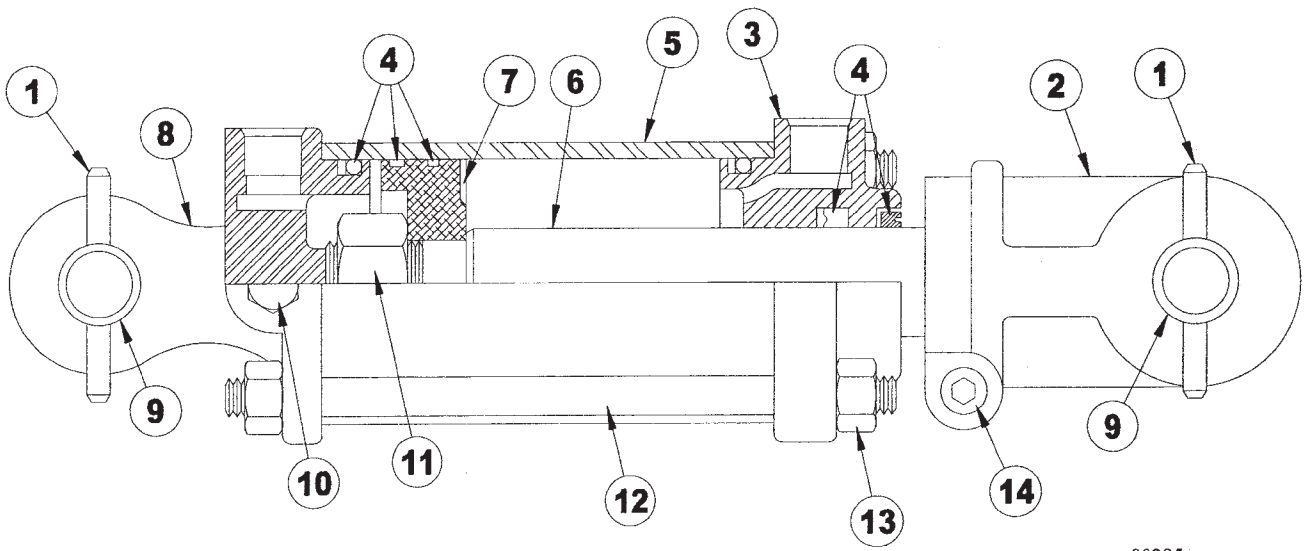
**3 1/4" X 10" CROSS REPHASING CYLINDER
(VERSION 2)**

ITEM	NUMBER	QTY	DESCRIPTION
1	SN3164		5/16" X 2" ROLL PIN
2	SN8610-1		CLEVIS, 1 1/4" THREADS, 1" PIN W/BUSHING
3	SN8614-10		HEAD, 3 1/4" , 1 1/4" ROD
4	SN8767-1		SEAL KIT, 3 1/4", 1 1/4" ROD
5	SN8613-1		TUBE, 3 1/4" X 10"
6	SN8658-1		1 1/4" ROD
7	SN8929-1		PISTON, 3 1/4"
8	SN8930-10		BASE, 3 1/4"
9	SN5339		1" X 4 1/16" PIN
10	SN4458		PLUG, 3/4"-16 O.R.
11	SN8683-1		PISTON NUT, 1"
12	SN8928-1		TIE ROD BOLT
13	SN8863-1		TIE ROD NUT
14	SN8631-1		CAPSCREW
	SN8671-1		CAPSCREW NUT
	SN10817		3 1/4" X 10" REPHASING CYLINDER 3000 PSI

NOTE: WHEN ORDERING HYDRAULIC CYLINDER COMPONENTS, NOTE THE PART NUMBER AND THE CYLINDER PSI. (LOCATED ON THE CYLINDER DECAL) AS THEY CONTAIN DIFFERENT COMPONENTS.

I0000355

3 1/2" X 10" CROSS REPHASING CYLINDER
(VERSION 1)



00295

**3070 FALLOW KING
SERVICE PARTS**

43

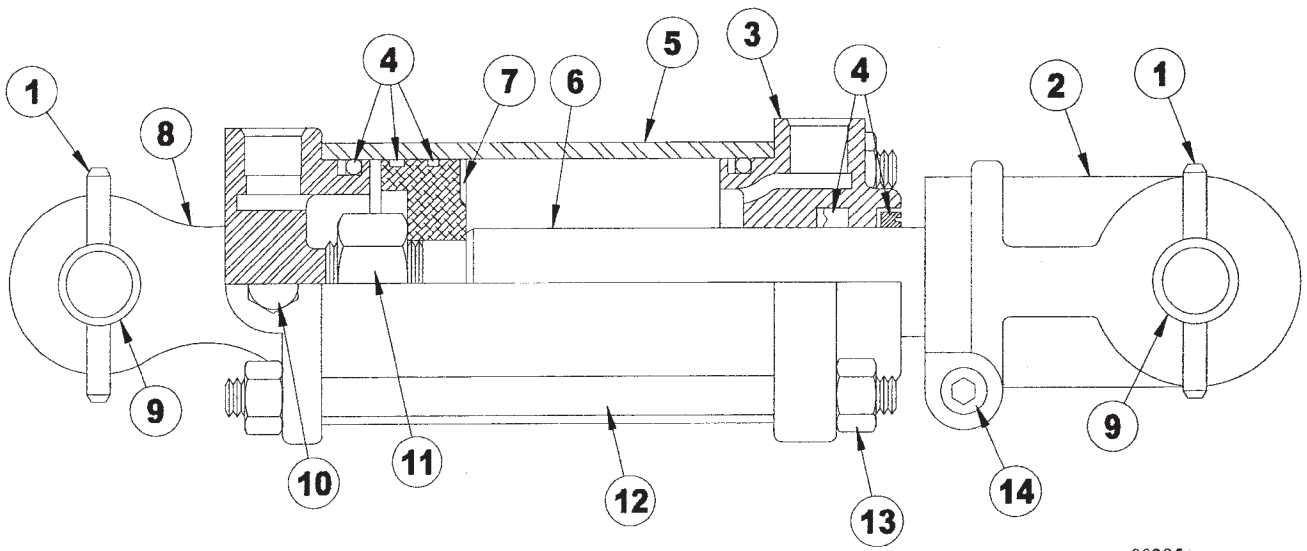
**3 1/2" X 10" CROSS REPHASING CYLINDER
(VERSION 1)**

ITEM	NUMBER	QTY	DESCRIPTION
1	SN3164		5/16" X 2" ROLL PIN
2	SN8610-1		CLEVIS, 1 1/4" THREADS, 1" PIN W/BUSHING
3	SN8735-10		HEAD, 3 1/2" , 1 1/4" ROD
4	SN8775-1		SEAL KIT, 3 1/2", 1 1/4" ROD
5	SN8822-1		TUBE, 3 1/2" X 10"
6	SN8890-1		1 1/4" ROD
7	SN8716-1		PISTON, 3 1/2" W/1" HOLE
8	SN8700-10		BASE, 3 1/2", 1" PIN REPHASING
9	SN5339		1" X 4 1/16" PIN
10	SN4458		PLUG, 3/4"-16 O.R.
11	SN8683-1		PISTON NUT, 1"
12	SN8845-1		TIE ROD BOLT
13	SN8863-1		TIE ROD NUT
14	SN8631-1		CAPSCREW
	SN8671-1		CAPSCREW NUT
	SN4432R		3 1/2" X 10" CROSS REPHASING CYLINDER

NOTE: WHEN ORDERING HYDRAULIC CYLINDER COMPONENTS, NOTE THE PART NUMBER AND THE CYLINDER PSI. (LOCATED ON THE CYLINDER DECAL) AS THEY CONTAIN DIFFERENT COMPONENTS.

I0000295

3 1/2" X 10" CROSS REPHASING CYLINDER
(VERSION 2)



00295

**3070 FALLOW KING
SERVICE PARTS**

45

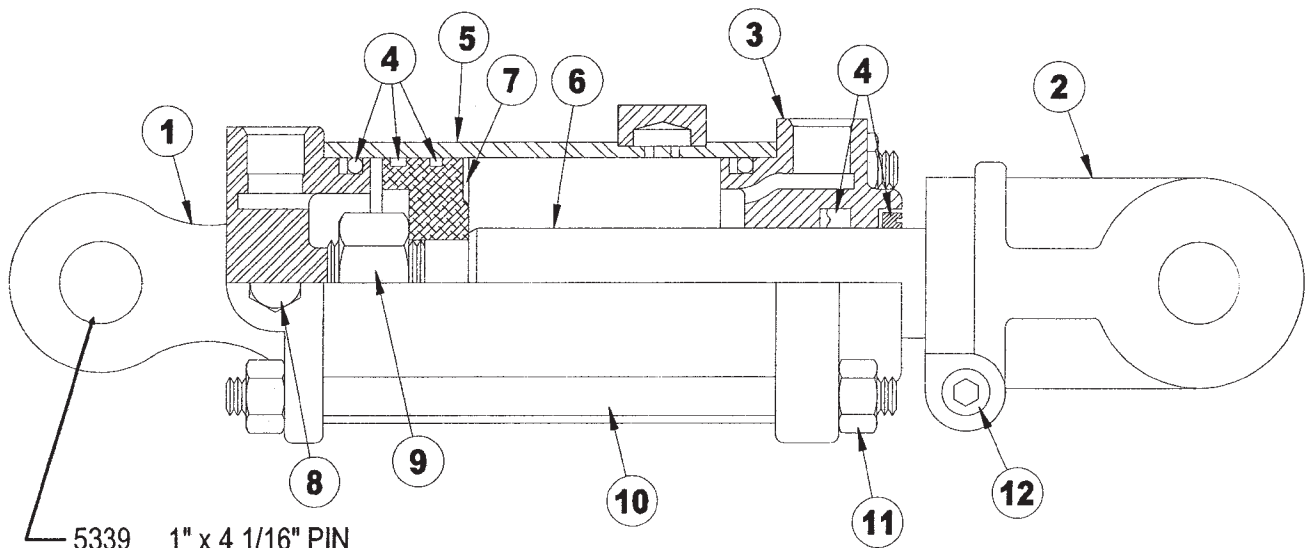
**3 1/2" X 10" CROSS REPHASING CYLINDER
(VERSION 2)**

ITEM	NUMBER	QTY	DESCRIPTION
1	SN3164		5/16" X 2" ROLL PIN
2	SN8610-1		CLEVIS, 1 1/4" THREADS, 1" PIN W/BUSHING
3	SN8657-10		HEAD, 3 1/2" , 1 1/4" ROD
4	SN8775-1		SEAL KIT, 3 1/2", 1 1/4" ROD
5	SN8659-1		TUBE, 3 1/2" X 10"
6	SN8658-1		1 1/4" ROD
7	SN8660-1		PISTON, 3 1/2" W/1" HOLE
8	SN8927-10		BASE, 3 1/2", 1" PIN REPHASING
9	SN5339		1" X 4 1/16" PIN
10	SN4458		PLUG, 3/4"-16 O.R.
11	SN8683-1		PISTON NUT, 1"
12	SN8928-1		TIE ROD BOLT
13	SN8863-1		TIE ROD NUT
14	SN8631-1		CAPSCREW
	SN8671-1		CAPSCREW NUT
	SN10816		3 1/2" X 10" CROSS REPH CYLINDER 3000PSI

NOTE: WHEN ORDERING HYDRAULIC CYLINDER COMPONENTS, NOTE THE PART NUMBER AND THE CYLINDER PSI. (LOCATED ON THE CYLINDER DECAL) AS THEY CONTAIN DIFFERENT COMPONENTS.

I0000295

3 3/4" X 10" CROSS REPHASING CYLINDER
(VERSION 1)



- 5339 1" x 4 1/16" PIN
- 3164 5/16" x 2" ROLL PIN
(USED AT BOTH ENDS)

**3070 FALLOW KING
SERVICE PARTS**

47

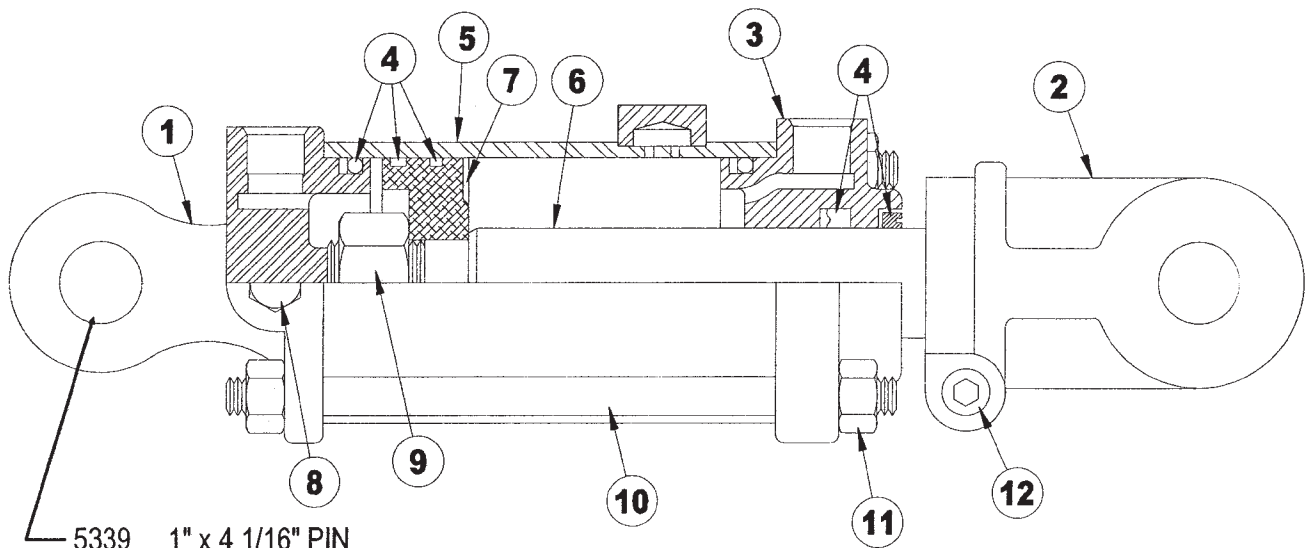
**3 3/4" X 10" CROSS REPHASING CYLINDER
(VERSION 1)**

ITEM	NUMBER	QTY	DESCRIPTION
1	SN8698-10		BASE, 3 3/4" REPHASING
2	SN8610-1		CLEVIS, 1 1/4" THREADS, 1" PIN W/BUSHING
3	SN8736-10		HEAD, 3 3/4", 1 3/8" ROD
4	SN8776-1		SEAL KIT, 3 3/4", 1 3/8" ROD
5	SN8828-1		TUBE, 3 3/4" X 10"
6	SN8899-1		1 3/8" ROD
7	SN8717-1		PISTON, 3 3/4" W/1" HOLE
8	SN4458		PLUG, 3/4"-16 O.R.
9	SN8683-1		PISTON NUT, 1"
10	SN8849-1		TIE ROD BOLT
11	SN8864-1		TIE ROD NUT
12	SN8631-1		CAPSCREW
	SN8671-1		CAPSCREW NUT
	SN4431R		3 3/4" X 10" CROSS REPHASING CYLINDER

NOTE: WHEN ORDERING HYDRAULIC CYLINDER COMPONENTS, NOTE THE PART NUMBER AND THE CYLINDER PSI. (LOCATED ON THE CYLINDER DECAL) AS THEY CONTAIN DIFFERENT COMPONENTS.

I0001204

3 3/4" X 10" CROSS REPHASING CYLINDER
(VERSION 2)



- 5339 1" x 4 1/16" PIN
- 3164 5/16" x 2" ROLL PIN
(USED AT BOTH ENDS)

**3070 FALLOW KING
SERVICE PARTS**

49

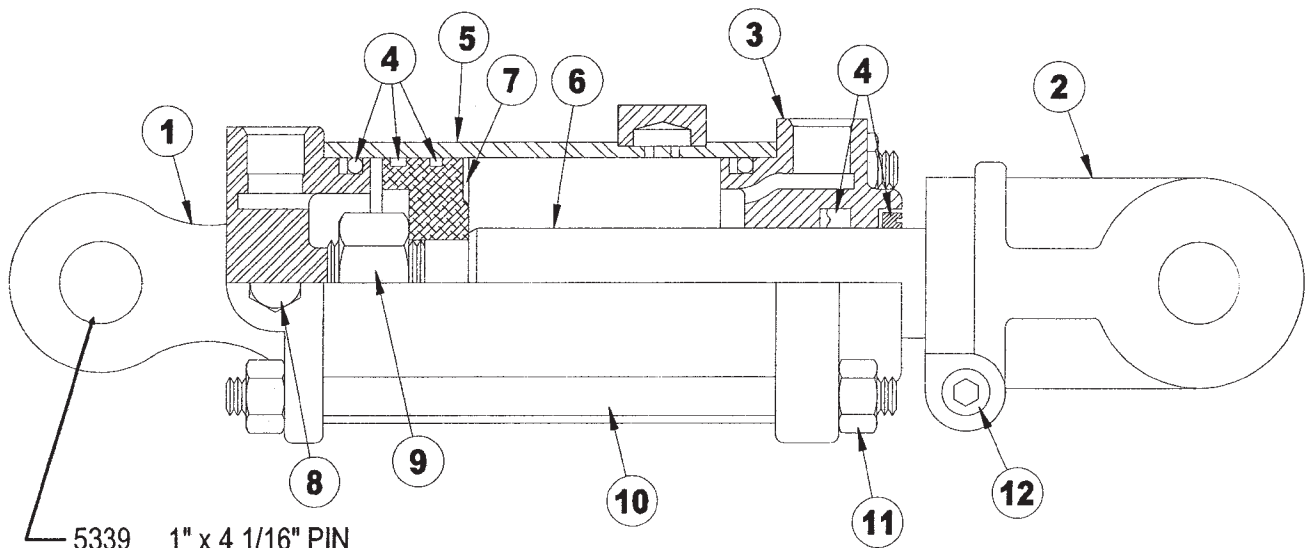
**3 3/4" X 10" CROSS REPHASING CYLINDER
(VERSION 2)**

ITEM	NUMBER	QTY	DESCRIPTION
1	SN8656-10		BASE, 3 3/4" REPHASING
2	SN8610-1		CLEVIS, 1 1/4" THREADS, 1" PIN W/BUSHING
3	SN8736-10		HEAD, 3 3/4", 1 3/8" ROD
4	SN8776-1		SEAL KIT, 3 3/4", 1 3/8" ROD
5	SN8828-1		TUBE, 3 3/4" X 10"
6	SN8925-1		1 3/8" ROD
7	SN8655-1		PISTON, 3 3/4" W/1" HOLE
8	SN4458		PLUG, 3/4"-16 O.R.
9	SN8683-1		PISTON NUT, 1"
10	SN8654-1		TIE ROD BOLT
11	SN8864-1		TIE ROD NUT
12	SN8631-1		CAPSCREW
	SN8671-1		CAPSCREW NUT
	SN10815		3 3/4" X 10" CROSS REPH CYLINDER 3000PSI

NOTE: WHEN ORDERING HYDRAULIC CYLINDER COMPONENTS, NOTE THE PART NUMBER AND THE CYLINDER PSI. (LOCATED ON THE CYLINDER DECAL) AS THEY CONTAIN DIFFERENT COMPONENTS.

I0001204

4" X 10" CROSS REPHASING CYLINDER
(VERSION 1)



- 5339 1" x 4 1/16" PIN
- 3164 5/16" x 2" ROLL PIN
(USED AT BOTH ENDS)

**3070 FALLOW KING
SERVICE PARTS**

51

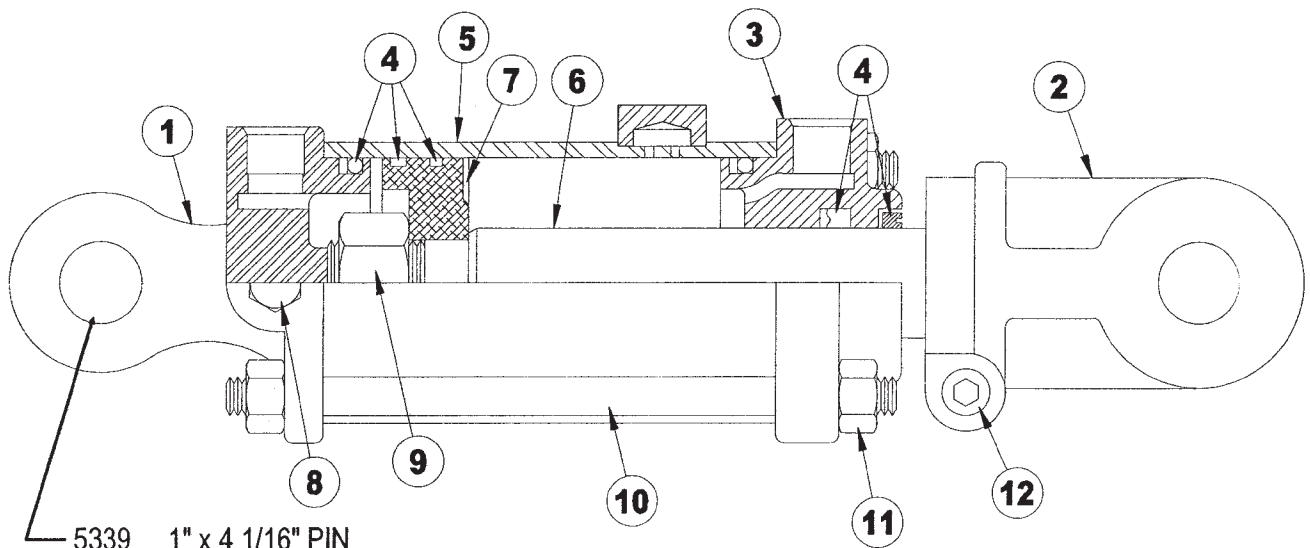
**4" X 10" CROSS REPHASING CYLINDER
(VERSION 1)**

ITEM	NUMBER	QTY	DESCRIPTION
1	SN8699-10		BASE, 4" REPHASING
2	SN8610-1		CLEVIS, 1 1/4" THREADS, 1" PIN W/BUSHING
3	SN8739-10		HEAD, 4", 1 3/8" ROD
4	SN8781-1		SEAL KIT, 4", 1 3/8" ROD
5	SN8826-1		TUBE, 4" X 10"
6	SN8899-1		1 3/8" ROD
7	SN8718-1		PISTON, 4" W/1" HOLE
8	SN4458		PLUG, 3/4"-16 O.R.
9	SN8683-1		PISTON NUT, 1"
10	SN8849-1		TIE ROD BOLT
11	SN8864-1		TIE ROD NUT
12	SN8631-1		CAPSCREW
	SN8671-1		CAPSCREW NUT
	SN4430R		4" X 10" CROSS REPHASING CYLINDER

NOTE: WHEN ORDERING HYDRAULIC CYLINDER COMPONENTS, NOTE THE PART NUMBER AND THE CYLINDER PSI. (LOCATED ON THE CYLINDER DECAL) AS THEY CONTAIN DIFFERENT COMPONENTS.

I0001204

4" X 10" CROSS REPHASING CYLINDER
(VERSION 2)



- 5339 1" x 4 1/16" PIN
- 3164 5/16" x 2" ROLL PIN
(USED AT BOTH ENDS)

**3070 FALLOW KING
SERVICE PARTS**

53

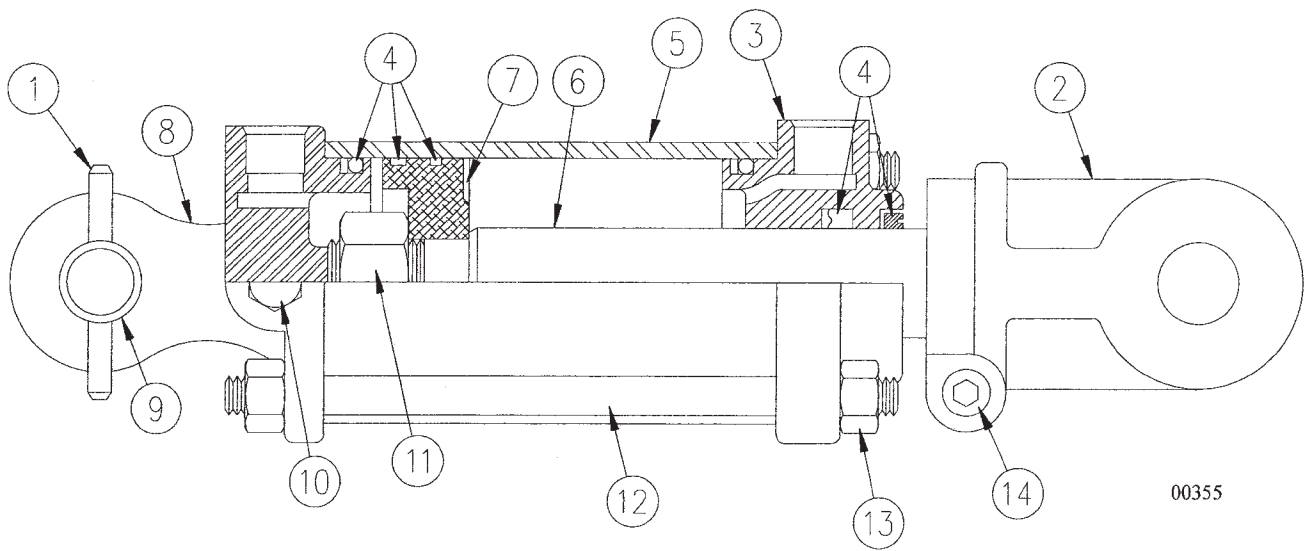
**4" X 10" CROSS REPHASING CYLINDER
(VERSION 2)**

ITEM	NUMBER	QTY	DESCRIPTION
1	SN8670-10		BASE, 4" REPHASING
2	SN8610-1		CLEVIS, 1 1/4" THREADS, 1" PIN W/BUSHING
3	SN8739-10		HEAD, 4", 1 3/8" ROD
4	SN8781-1		SEAL KIT, 4", 1 3/8" ROD
5	SN8826-1		TUBE, 4" X 10"
6	SN8925-1		1 3/8" ROD
7	SN8653-1		PISTON, 4" W/1" HOLE
8	SN4458		PLUG, 3/4"-16 O.R.
9	SN8683-1		PISTON NUT, 1"
10	SN8654-1		TIE ROD BOLT
11	SN8864-1		TIE ROD NUT
12	SN8631-1		CAPSCREW
	SN8671-1		CAPSCREW NUT
	SN10814		4" X 10" CROSS REPHASING CYLINDER 3000 PSI.

NOTE: WHEN ORDERING HYDRAULIC CYLINDER COMPONENTS, NOTE THE PART NUMBER AND THE CYLINDER PSI. (LOCATED ON THE CYLINDER DECAL) AS THEY CONTAIN DIFFERENT COMPONENTS.

I0001204

4" X 24" CROSS FOLD CYLINDER (VERSION 1)



00355

3070 FALLOW KING
SERVICE PARTS

55

4" X 24" CROSS FOLD CYLINDER (VERSION 1)

ITEM	NUMBER	QTY	DESCRIPTION
1	SN3164		5/16" X 2" ROLL PIN
2	SN8615-1		CLEVIS, 1 1/4" THREADS
3	SN8737-10		HEAD, 4", 1 1/2" ROD
4	SN8784-1		SEAL KIT, 4", 1 1/2" ROD
5	SN8835-1		TUBE, 4" X 24"
6	SN8924-1		1 1/2" ROD
7	SN8713-1		PISTON, 4" W/1" HOLE
8	SN8703-10		BASE, 4"
9	SN5339		1" X 4 1/16" PIN
10	SN4458		PLUG, 3/4"-16 O.R.
11	SN8683-1		PISTON NUT, 1"
12	SN8855-1		TIE ROD BOLT
13	SN8864-1		TIE ROD NUT
14	SN8631-1		CAPSCREW
	SN8671-1		CAPSCREW NUT
	SN4405R		4" X 24" CROSS FOLD CYLINDER

NOTE: WHEN ORDERING HYDRAULIC CYLINDER COMPONENTS, NOTE THE PART NUMBER AND THE CYLINDER PSI. (LOCATED ON THE CYLINDER DECAL) AS THEY CONTAIN DIFFERENT COMPONENTS.

I0000355

**3070 FALLOW KING
SERVICE PARTS**

57

4" X 24" CROSS FOLD CYLINDER (VERSION 2)

ITEM	NUMBER	QTY	DESCRIPTION
1	SN3164		5/16" X 2" ROLL PIN
2	SN8616-1		CLEVIS, 1 1/4" THREADS
3	SN8273-1		HEAD, 4", 1 1/2" ROD
4	SN8612-1		SEAL KIT, 4", 1 1/2" ROD
5	SN8835-1		TUBE, 4" X 24"
6	SN8926-1		1 1/2" ROD
7	SN8682-1		PISTON, 4" W/1" HOLE
8	SN8670-10		BASE, 4"
9	SN5339		1" X 4 1/16" PIN
10	SN4458		PLUG, 3/4"-16 O.R.
11	SN8683-1		PISTON NUT, 1"
12	SN8605-1		TIE ROD BOLT
13	SN8864-1		TIE ROD NUT
14	SN8631-1		CAPSCREW
	SN8671-1		CAPSCREW NUT
	SN10813		4" X 24" CROSS FOLD CYLINDER 3000 PSI.

NOTE: WHEN ORDERING HYDRAULIC CYLINDER COMPONENTS, NOTE THE PART NUMBER AND THE CYLINDER PSI. (LOCATED ON THE CYLINDER DECAL) AS THEY CONTAIN DIFFERENT COMPONENTS.

I0000355

3070 FALLOW KING
SERVICE PARTS

59

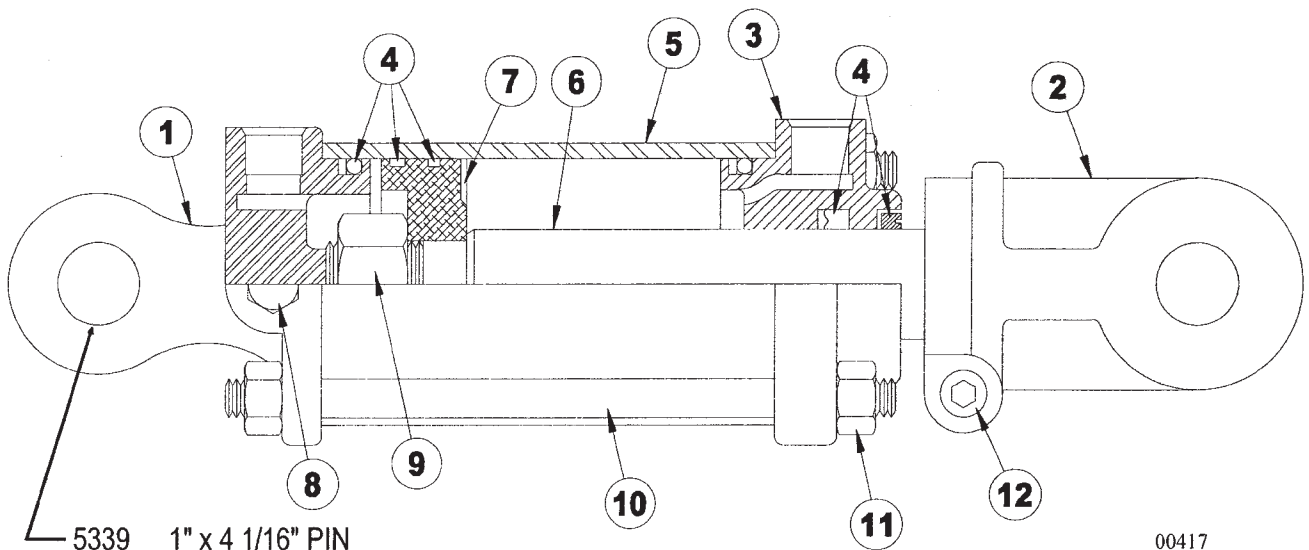
4" X 30" CROSS CYLINDER (VERSION 1)

ITEM	NUMBER	QTY	DESCRIPTION
1	SN8703-10		BASE, 4"
2	SN8615-1		CLEVIS, 1 1/4" THREADS
3	SN8737-10		HEAD, 4", 1 1/2" ROD
4	SN8784-1		SEAL KIT, 4", 1 1/2" ROD
5	SN8837-1		TUBE, 4" X 30"
6	SN8934-1		1 1/2" ROD
7	SN8713-1		PISTON, 4" W/1" HOLE
8	SN4458		PLUG, 3/4"-16 O.R.
9	SN8683-1		PISTON NUT, 1"
10	SN8858-1		TIE ROD BOLT
11	SN8864-1		TIE ROD NUT
12	SN8631-1		CAPSCREW
	SN8671-1		CAPSCREW NUT
	SN4403R		4" X 30" CROSS CYLINDER

NOTE: WHEN ORDERING HYDRAULIC CYLINDER COMPONENTS, NOTE THE PART NUMBER AND THE CYLINDER PSI. (LOCATED ON THE CYLINDER DECAL) AS THEY CONTAIN DIFFERENT COMPONENTS.

I0000417

4" X 30" CROSS CYLINDER (VERSION 2)



5339 1" x 4 1/16" PIN
3164 5/16" x 2" ROLL PIN

00417

3070 FALLOW KING
SERVICE PARTS

61

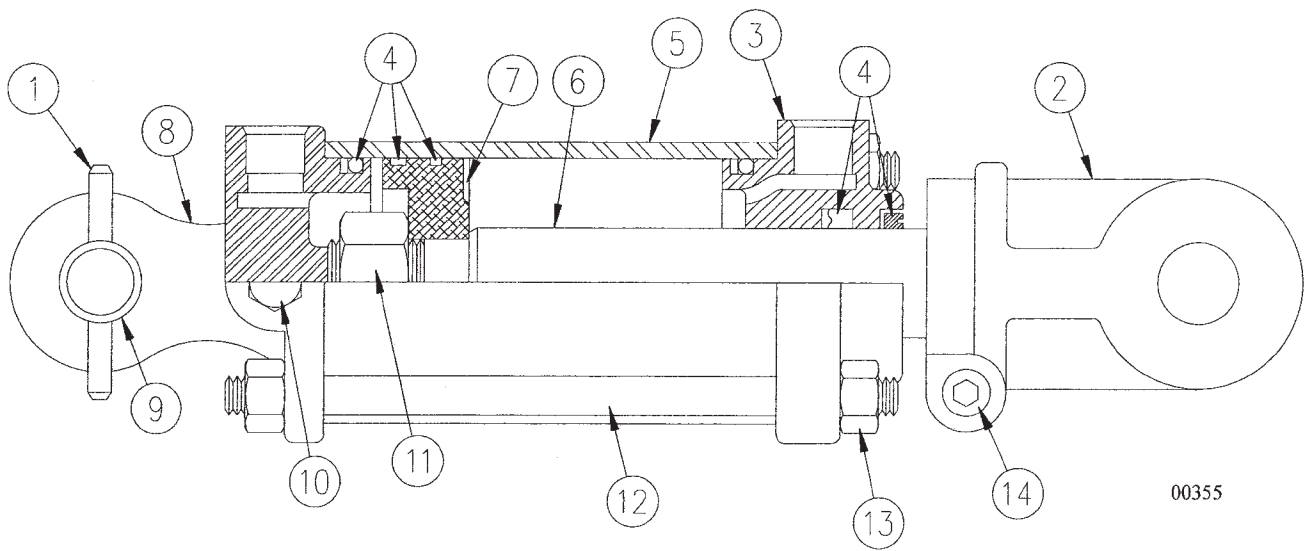
4" X 30" CROSS CYLINDER (VERSION 2)

ITEM	NUMBER	QTY	DESCRIPTION
1	SN8670-10		BASE, 4"
2	SN8616-1		CLEVIS, 1 1/4" THREADS
3	SN8273-1		HEAD, 4", 1 1/2" ROD
4	SN8612-1		SEAL KIT, 4", 1 1/2" ROD
5	SN8837-1		TUBE, 4" X 30"
6	SN8923-1		1 1/2" ROD
7	SN8682-1		PISTON, 4" W/1" HOLE
8	SN4458		PLUG, 3/4"-16 O.R.
9	SN8683-1		PISTON NUT, 1"
10	SN8602-1		TIE ROD BOLT
11	SN8864-1		TIE ROD NUT
12	SN8631-1		CAPSCREW
	SN8671-1		CAPSCREW NUT
	SN10812		4" X 30" CROSS CYLINDER 3000 PSI.

NOTE: WHEN ORDERING HYDRAULIC CYLINDER COMPONENTS, NOTE THE PART NUMBER AND THE CYLINDER PSI, LOCATED ON THE CYLINDER DECAL, AS THEY CONTAIN DIFFERENT COMPONENTS.

I0000417

5" X 30" CROSS CYLINDER (VERSION 1)



00355

3070 FALLOW KING
SERVICE PARTS

63

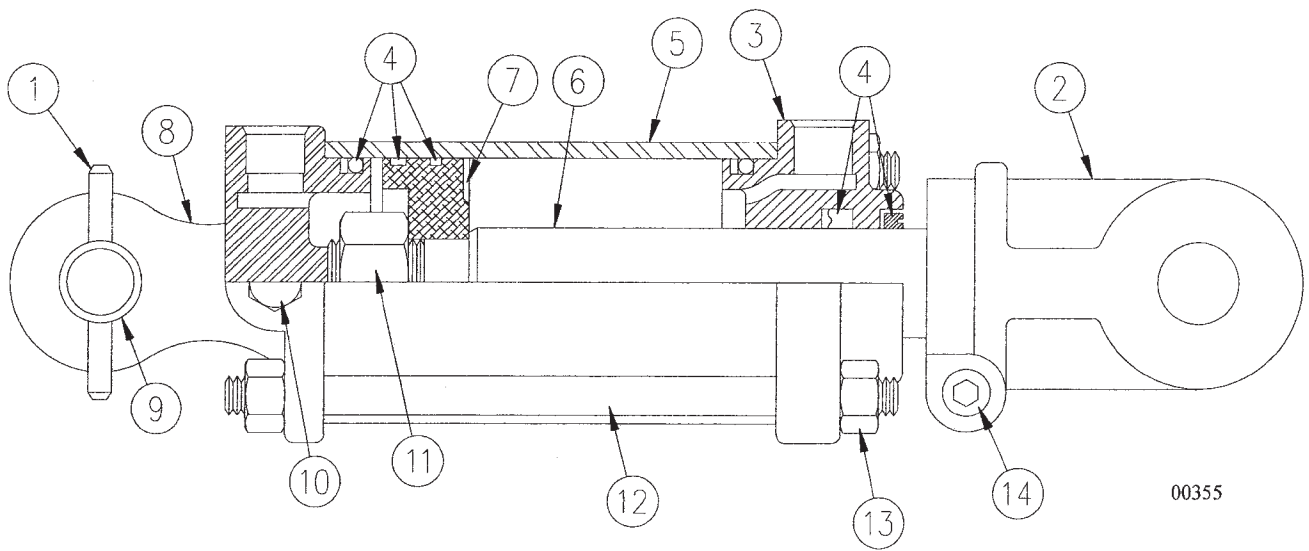
5" X 30" CROSS CYLINDER (VERSION 1)

ITEM	NUMBER	QTY	DESCRIPTION
1	SN3164		5/16" X 2" ROLL PIN
2	SN8620-1		CLEVIS, 1 1/2" THREADS
3	SN8749-10		HEAD, 5"
4	SN8794-1		SEAL KIT, 5", 2" ROD
5	SN8839-1		TUBE, 5" X 30"
6	SN8945-1		2" ROD
7	SN8715-1		PISTON, 5"
8	SN8705-10		BASE, 5"
9	SN5342		1 1/4" X 4 13/16" PIN
10	SN4458		PLUG, 3/4"-16 O.R.
11	SN8685-1		PISTON NUT, 1 1/4"
12	SN8859-1		TIE ROD BOLT
13	SN8865-1		TIE ROD NUT
14	SN8631-1		CAPSCREW
	SN8671-1		CAPSCREW NUT
	SN4414R		5" X 30" CROSS CYLINDER

NOTE: WHEN ORDERING HYDRAULIC CYLINDER COMPONENTS, NOTE THE PART NUMBER AND THE CYLINDER PSI. (LOCATED ON THE CYLINDER DECAL) AS THEY CONTAIN DIFFERENT COMPONENTS.

I0000355

5" X 30" CROSS CYLINDER (VERSION 2)



00355

3070 FALLOW KING
SERVICE PARTS

65

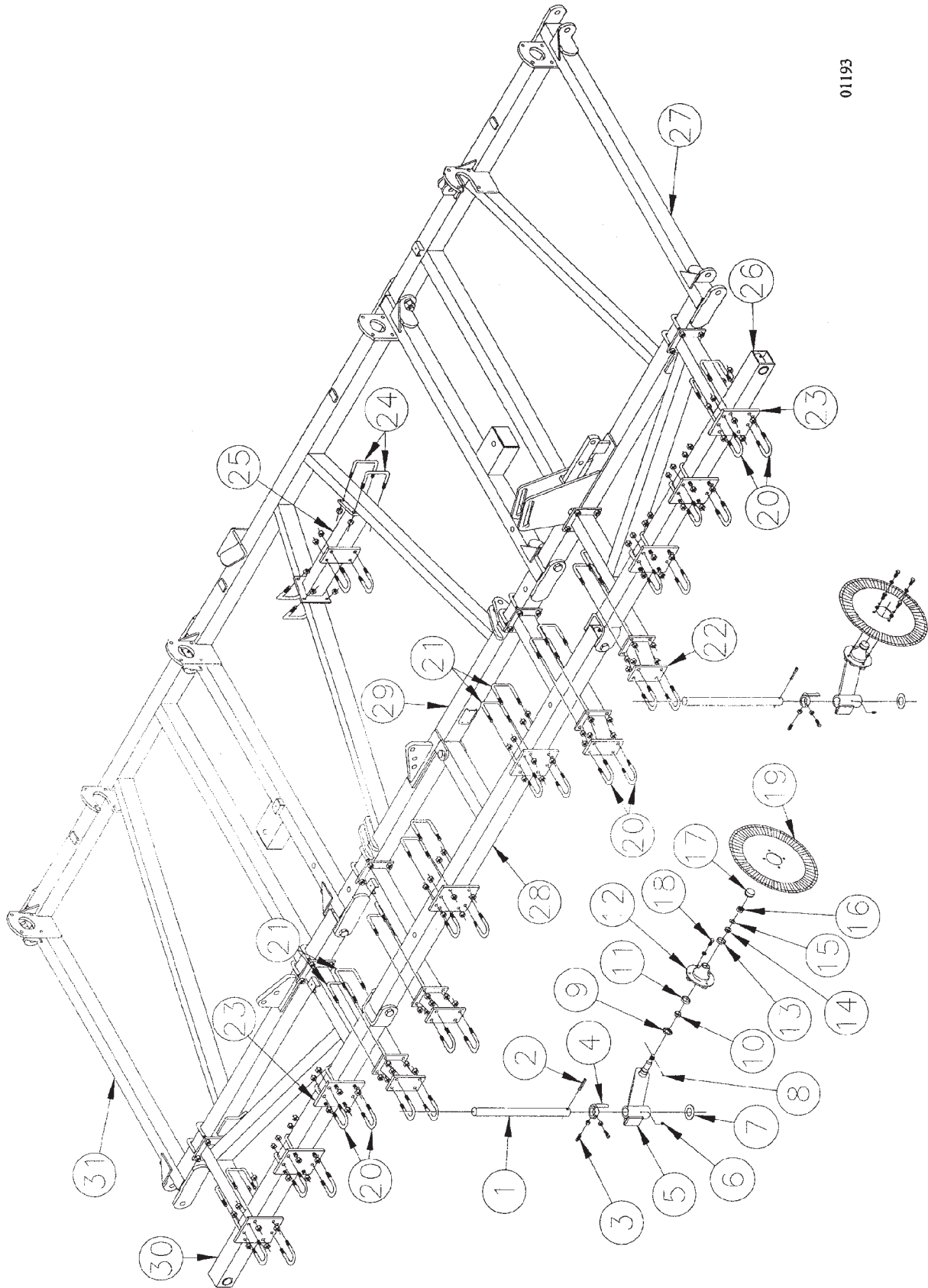
5" X 30" CROSS CYLINDER (VERSION 2)

ITEM	NUMBER	QTY	DESCRIPTION
1	SN3164		5/16" X 2" ROLL PIN
2	SN8620-1		CLEVIS, 1 1/2" THREADS
3	SN12038		HEAD, 5"
4	SN12039		SEAL KIT, 5", 2" ROD
5	SN8839-1		TUBE, 5" X 30"
6	SN8945-1		2" ROD
7	SN12036		PISTON, 5"
8	SN12037		BASE, 5"
9	SN5342		1 1/4" X 4 13/16" PIN
10	SN4458		PLUG, 3/4"-16 O.R.
11	SN8685-1		PISTON NUT, 1 1/4"
12	SN8859-1		TIE ROD BOLT
13	SN8865-1		TIE ROD NUT
14	SN8631-1		CAPSCREW
	SN8671-1		CAPSCREW NUT
	SN12035		5" X 30" CROSS CYLINDER 3000 PSI.

NOTE: WHEN ORDERING HYDRAULIC CYLINDER COMPONENTS, NOTE THE PART NUMBER AND THE CYLINDER PSI. (LOCATED ON THE CYLINDER DECAL) AS THEY CONTAIN DIFFERENT COMPONENTS.

I0000355

CENTER FRAME COULTER ASSEMBLY



01193

3070 FALLOW KING
SERVICE PARTS

67

CENTER FRAME COULTER ASSEMBLY

ITEM	NUMBER	QTY	DESCRIPTION
1	SN5970		COULTER SHANK, 24"
2	SN5814		1/2" X 3" ROLL PIN
3	SN2078		1/2" X 1" SET SCREW
	SN159		NUT
4	SN5968		LOCKING COLLAR WITH STOP
5	SN5969		COULTER AXLE
6	SN2098-1		GREASE ZERK, 1/8" NPTF, 5/8" L.
7	SN2037		FLAT WASHER, 1 13/16" I.D. X 2 13/16" O.D.
8	SN3725		1/8" X 1 3/4" COTTER PIN
9	SN120		GREASE SEAL, DOUBLE LIP
10	SN1606		INNER BEARING (LM67048)
11	SN1605		INNER RACE
12	SN124		FOUR BOLT HUB
13	SN126		OUTER RACE
14	SN127		OUTER BEARING
15	SN779		WASHER, 25/32" I.D. X 1 1/2" O.D.
16	SN1608		3/4" FULL HEX NUT
17	SNFK340069		HUB CAP
18	SN125-1		1/2" X 1" HEX NUT
	SN113		1/2" LOCK WASHER
19	SN1025		20" COULTER BLADE
20	SN5972		5/8" X 3 1/2" X 2 7/16" W. U-BOLT
	SN669-1		5/8" LOCK NUT
21	SN3052		5/8" X 5 5/8" X 4 3/4" W. U-BOLT
	SN669-1		5/8" LOCK NUT
22	SN5965		COULTER MOUNT EXTENSION
23	SN6520		8 HOLE CLAMP PLATE
24	SNROL-108		5/8" X 3 1/2" X 4 11/16" W. U-BOLT
	SN669-1		5/8" LOCK NUT
25	SN6524		COULTER MOUNT TUBE
26	SN5169		LEFT EXTENSION
27	SN5304		LEFT CENTER FRAME
28	SN5116		CENTER FRAME EXTENSION
29	SN5111		CENTER FRAME
30	SN5168		RIGHT EXTENSION
31	SN5112		RIGHT CENTER FRAME

I0001193

WING FRAME COULTER ASSEMBLY



00988

**3070 FALLOW KING
SERVICE PARTS**

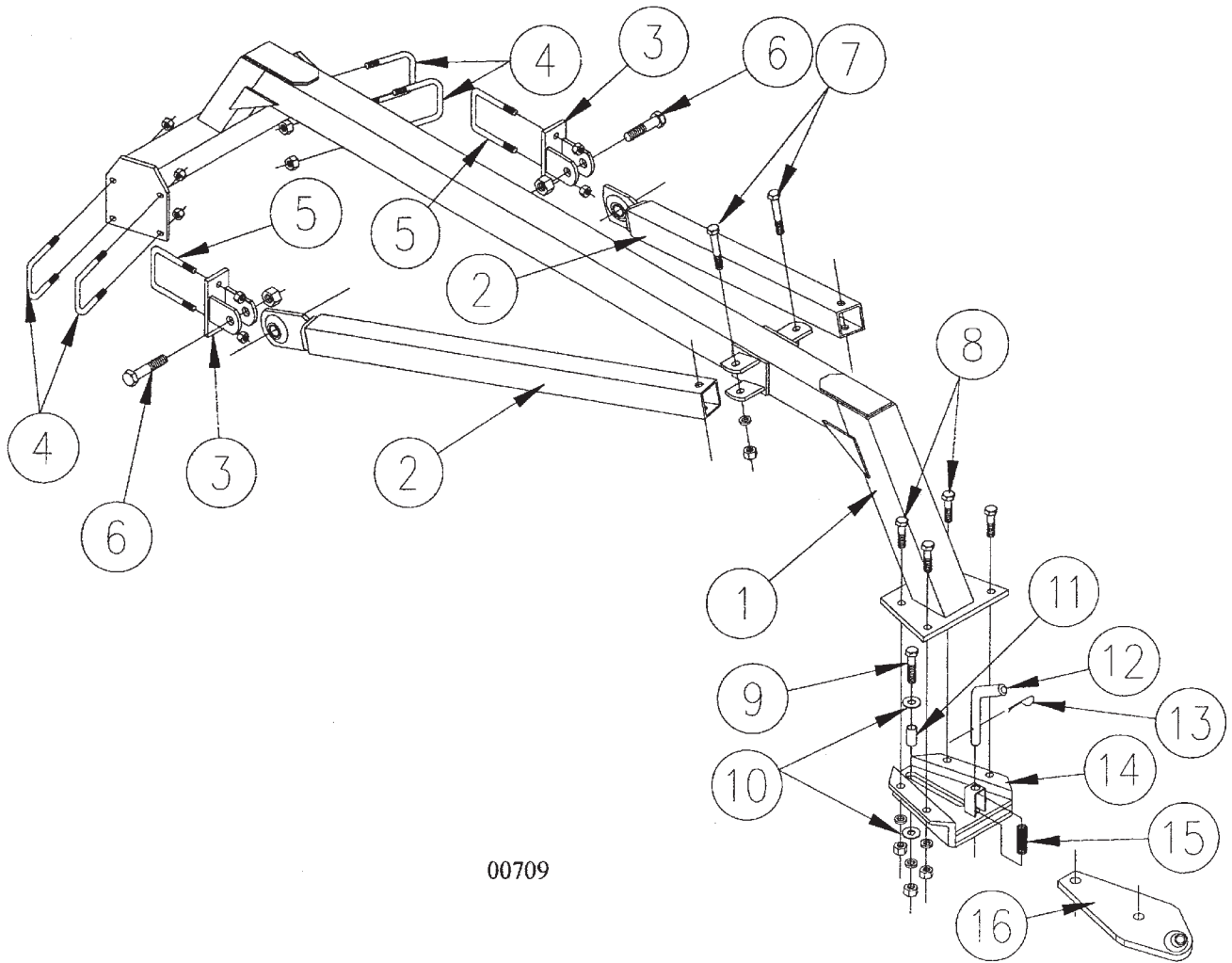
69

WING FRAME COULTER ASSEMBLY

ITEM	NUMBER	QTY	DESCRIPTION
1	SN5880		COULTER WING FRAME EXTENSION
2	SN3052		5/8" X 5 5/8" X 4 3/4" W. U-BOLT
	SN669-1		5/8" LOCK NUT
3	SN6523		COULTER WING FRAME EXTENSION
4	SN3306		5/8" X 4 1/2" X 4 5/8" W. U-BOLT
	SN669-1		5/8" LOCK NUT
5	SNFK320033		22" COULTER BLADE, 5 BOLT
6	SN5972		5/8" X 3 1/2" X 2 7/16" W. U-BOLT
	SN669-1		5/8" LOCK NUT
7	SN5970		COULTER SHANK, 24"
8	SN5814		1/2" X 3" ROLL PIN
9	SN2078		1/2" X 1" SET SCREW
	SN159		1/2" JAM NUT
10	SN5968		LOCKING COLLAR WITH STOP
11	SN5969		COULTER AXLE
12	SN2098-1		GREASE ZERK, 1/8" NPTF, 5/8" L.
13	SN2037		FLAT WASHER, 1 13/16" I.D. X 2 13/16" O.D.
14	SN3725		1/8" X 1 3/4" COTTER PIN
15	SN120		GREASE SEAL, DOUBLE LIP
16	SN1606		INNER BEARING (LM67048)
17	SN1605		INNER RACE
18	SN124		FOUR BOLT HUB
19	SN125-1		1/2" X 1" HEX NUT
	SN113		1/2" LOCK WASHER
20	SN126		OUTER RACE
21	SN127		OUTER BEARING
22	SN779		WASHER, 25/32" I.D. X 1 1/2" O.D.
23	SN1608		3/4" FULL HEX NUT
24	SNFK340069		HUB CAP
25	SN1025		20" COULTER BLADE
26	SN5115		WING FRAME, LEFT
27	SN5304		WING FRAME, LEFT INSERT
28	SN5118		LEFT WING BRACE
29	SN5305		WING FRAME, RIGHT INSERT
30	SN5117		RIGHT WING BRACE
31	SN5114		WING FRAME, RIGHT

I0000988

REARTOW HITCH ASSEMBLY WITH
HITCH SLIDE & BALL JOINT (OPTIONAL)



00709

**3070 FALLOW KING
SERVICE PARTS**

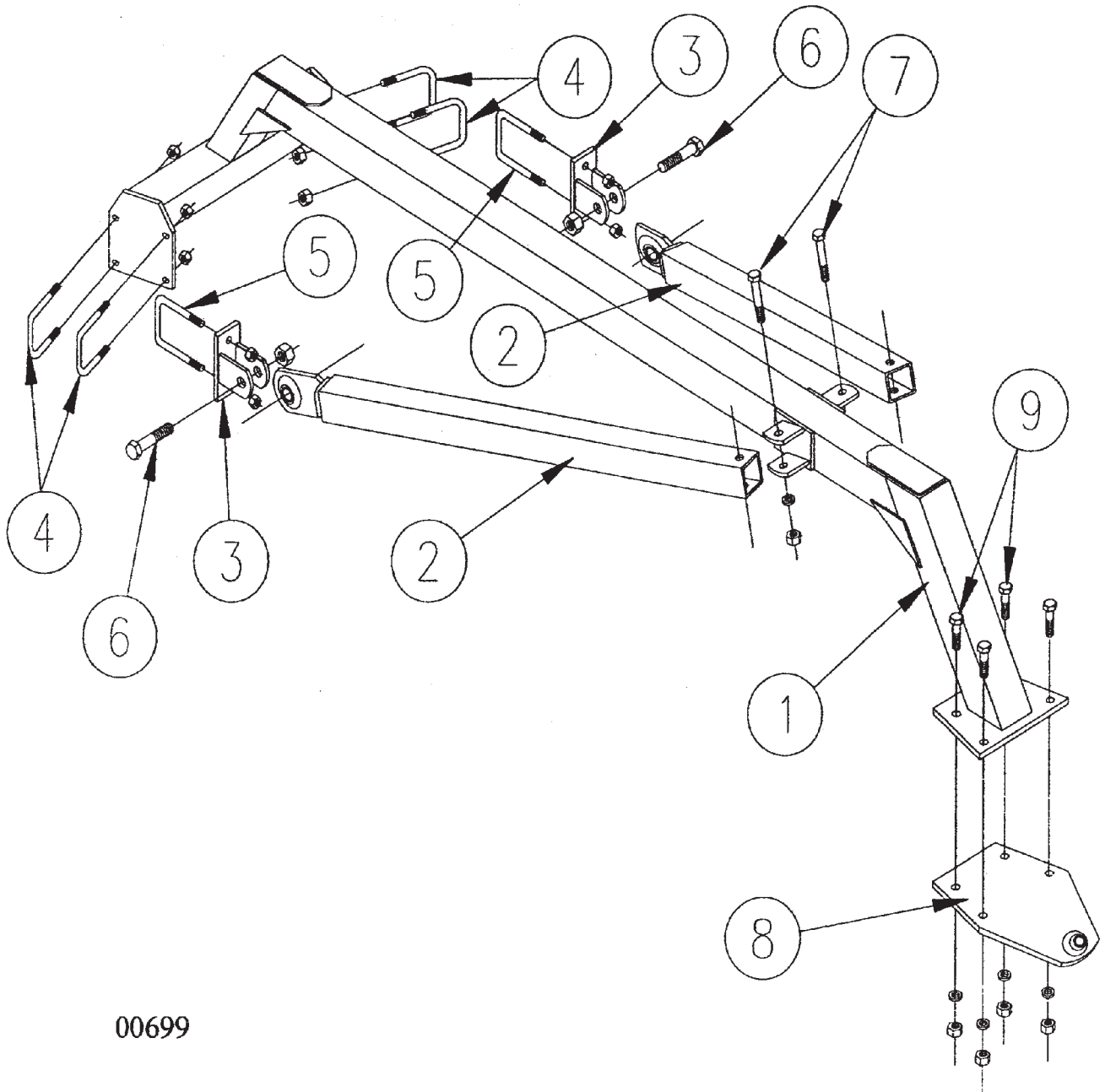
71

**REAR TOW HITCH ASSEMBLY WITH
HITCH SLIDE & BALL JOINT (OPTIONAL)**

ITEM	NUMBER	QTY	DESCRIPTION
1	SN6054		REAR TOW HITCH
2	SN6055		REAR TOW HITCH ARM
3	SN6056		ARM MOUNT
4	SNROL-108		5/8" X 3 1/2" X 4 11/16" W. U-BOLT
	SN669-1		5/8" LOCK NUT
5	SN3052		5/8" X 5 5/8" X 4 3/4" W. U-BOLT
	SN669-1		5/8" LOCK NUT
6	SN1753		1" X 4" HEX BOLT
	SN3938		1" LOCK NUT
7	SN1675		3/4" X 4 1/2" HEX BOLT
	SN1040		3/4" LOCK WASHER
	SN106		3/4" HEX NUT
8	SN1122		3/4" X 2 1/2" HEX BOLT
	SN1040		3/4" LOCK WASHER
	SN106		3/4" HEX NUT
9	SN105		3/4" X 3 1/2" HEX NUT
	SN1040		3/4" LOCK WASHER
	SN106		3/4" HEX NUT
10	SN893		3/4" FLAT WASHER
11	SN3364		BUSHING, 13/16" I.D. X 2" L.
12	SN3365		HITCH PIN
13	SN1609		3/16" X 1 1/2" COTTER PIN
14	SN3363		HITCH SLIDE
15	SN3366		HITCH SPRING
16	SN4740		HITCH MOUNT WITH BALL JOINT
	SN4739		HITCH ASSEMBLY (ITEMS 9 THRU 16)
	SN6057		REAR TOW HITCH ASSEMBLY W/4739

I0000709

REARTOW HITCH ASSEMBLY WITH HITCH SLIDE
& BALL JOINT (OPTIONAL)



00699

**3070 FALLOW KING
SERVICE PARTS**

73

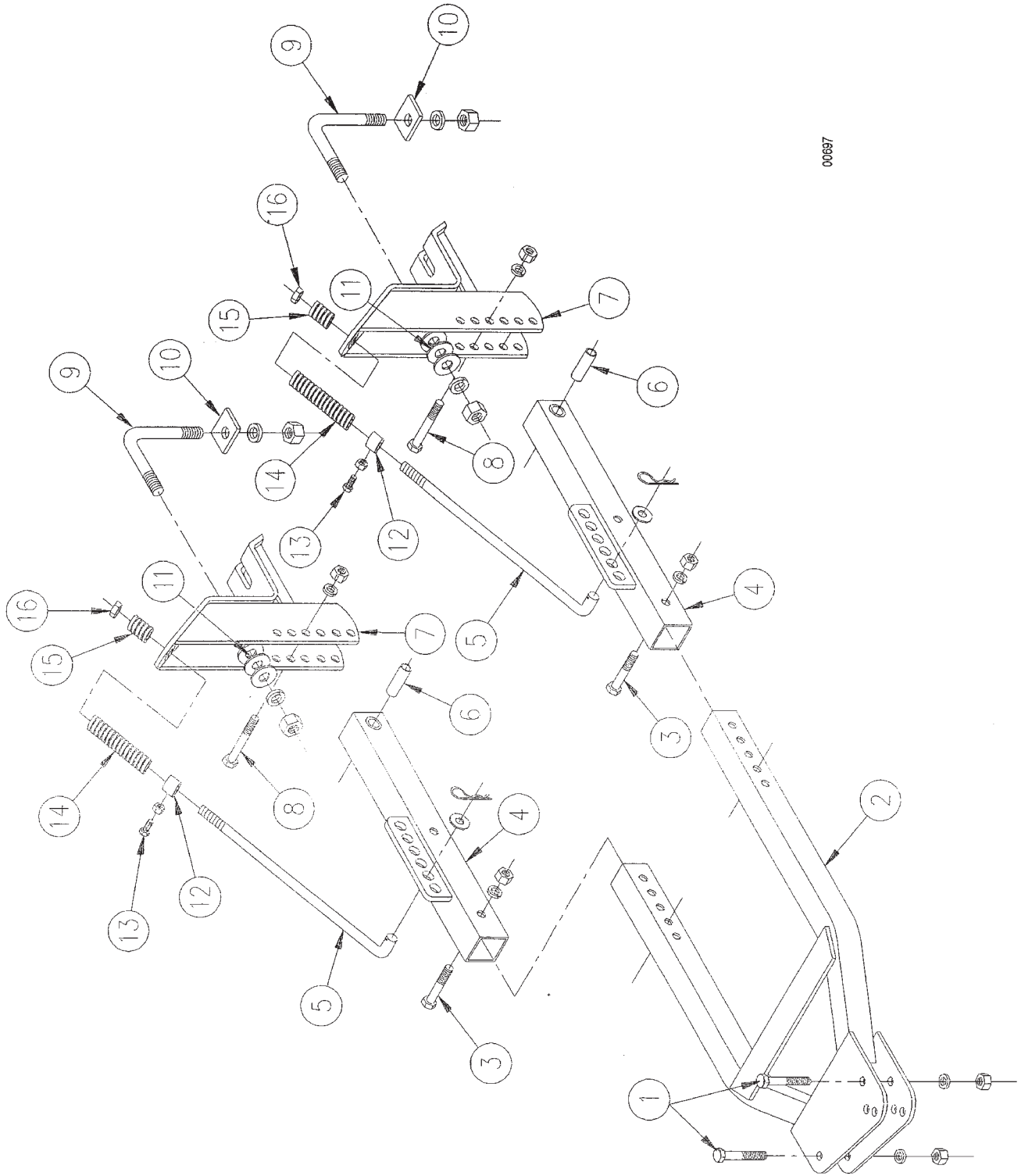
**REAR TOW HITCH ASSEMBLY WITH HITCH SLIDE
& BALL JOINT (OPTIONAL)**

ITEM	NUMBER	QTY	DESCRIPTION
1	SN6054		REAR TOW HITCH
2	SN6055		REAR TOW HITCH ARM
3	SN6056		ARM MOUNT
4	SNROL-108		5/8" X 3 1/2" X 4 11/16" W. U-BOLT
	SN669-1		5/8" LOCK NUT
5	SN3052		5/8" X 5 5/8" X 4 3/4" W. U-BOLT
	SN669-1		5/8" LOCK NUT
6	SN1753		1" X 4" HEX BOLT
	SN3938		1" LOCK NUT
7	SN1675		3/4" X 4 1/2" HEX BOLT
	SN1040		3/4" LOCK WASHER
	SN106		3/4" HEX NUT
8	SN4700		REAR TOW HITCH ADAPTER
9	SN1122		3/4" X 2 1/2" HEX BOLT
	SN1040		3/4" LOCK WASHER
	SN106		3/4" HEX NUT
	SN6058		REAR TOW HITCH ASSEMBLY W/4700B

I0000699

3070 FALLOW KING
ROLLING TREADER

REGULAR MOUNTING BRACKET ASSEMBLY



00697

**3070 FALLOW KING
ROLLING TREADER**

75

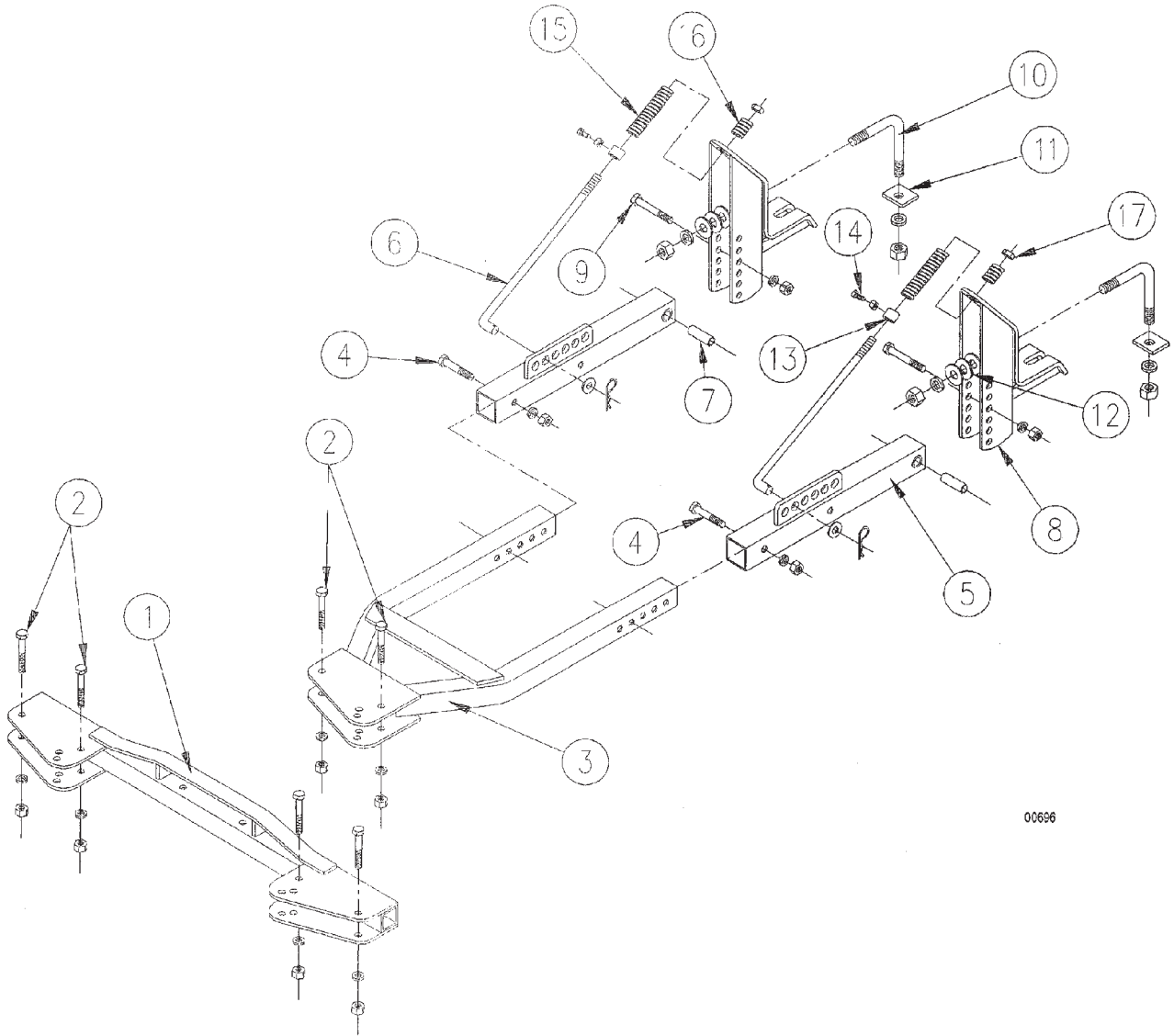
REGULAR MOUNTING BRACKET ASSEMBLY

ITEM	NUMBER	QTY	DESCRIPTION
1	SN1675		3/4" X 4 1/2" HEX BOLT
	SN1040		3/4" LOCK WASHER
	SN106		3/4" HEX NUT
2	SN4795		MAIN HARROW FRAME
3	SN1599		3/4" X 4" HEX BOLT
	SN1040		3/4" LOCK WASHER
	SN106		3/4" HEX NUT
4	SN4789		FRAME PIVOT TUBE
5	SN7000		HARROW ADJUSTING ROD, 27 1/2" L.
	SNFK501164		HARROW ADJUSTING ROD, 23 1/2" L.
	SNFK150173		1" FLAT WASHER
	SN71L-2901		3/4" HAIRPIN COTTER
6	SNFK501168		BUSHING
7	SN6999		MOUNTING BRACKET, 6 HOLE
	SN4884R		MOUNTING BRACKET, 5 HOLE
8	SN821		3/4" X 5" HEX BOLT
	SN1040		3/4" LOCK WASHER
	SN106		3/4" HEX NUT
9	SNFK150258		1" X 6 1/4" X 7" L-BOLT
	SN1283		1" LOCK WASHER
	SN110		1" HEX NUT
10	SNFK501229		MOUNTING WEDGE
11	SN245		1" FLAT WASHER
12	SNFK351023		ADJUSTING ROD LOCK COLLAR
13	SN2078		1/2" X 1" SET SCREW
	SN159		1/2" JAM NUT
14	SNFK361003		LOWER ADJUSTING ROD SPRING
15	SNFK361002		UPPER ADJUSTING ROD SPRING
16	SN3938		1" HEX NYLON LOCK NUT

I0000697

3070 FALLOW KING
ROLLING TREADER

REGULAR MOUNTING BRACKET ASSEMBLY
WITH DOUBLE MOUNTING HEAD



00696

**3070 FALLOW KING
ROLLING TREADER**

77

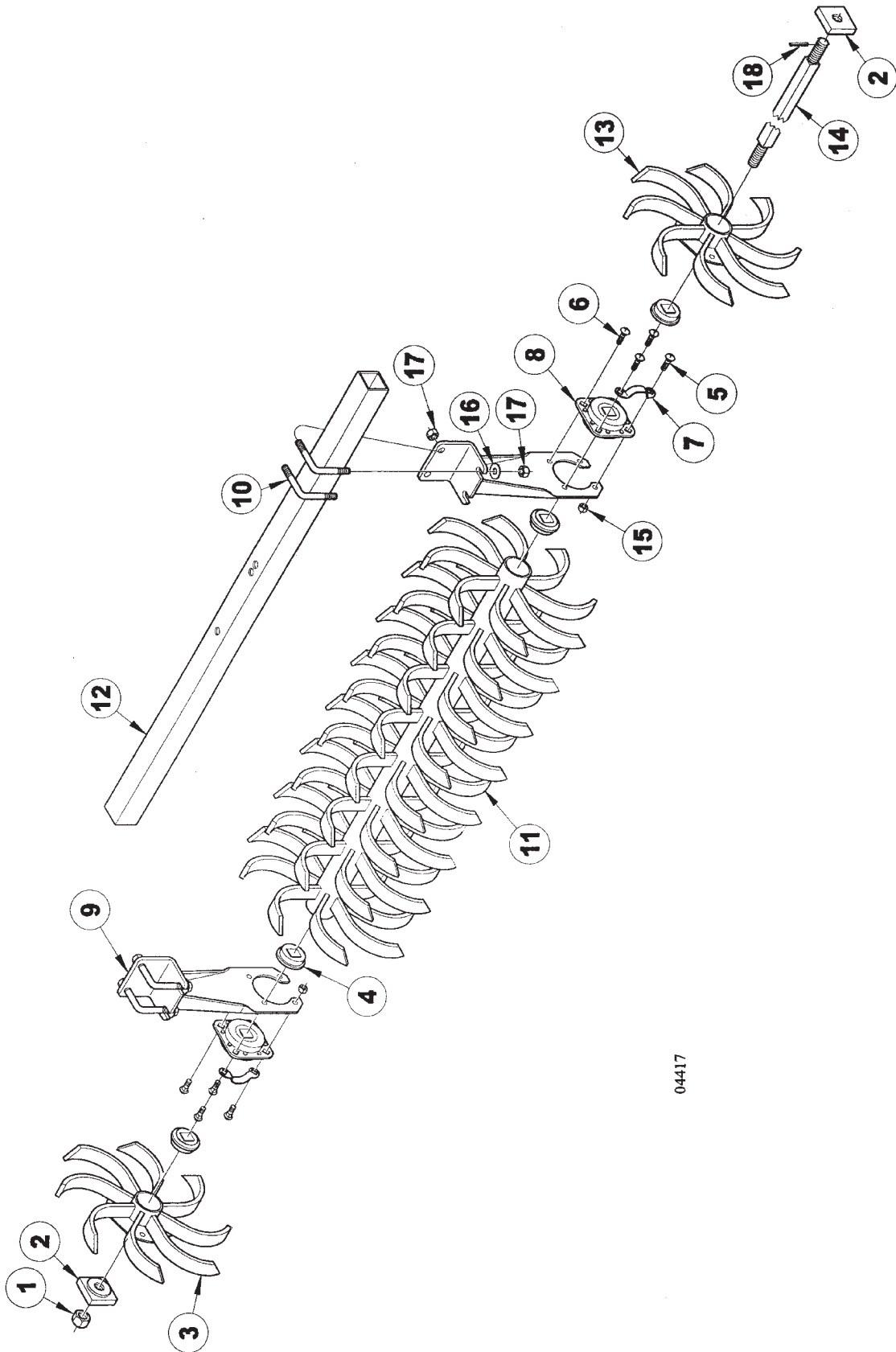
**REGULAR MOUNTING BRACKET ASSEMBLY
WITH DOUBLE MOUNTING HEAD**

ITEM	NUMBER	QTY	DESCRIPTION
1	SN4960		DOUBLE MOUNTING HEAD
2	SN1675		3/4" X 4 1/2" HEX BOLT
	SN1040		3/4" LOCK WASHER
	SN106		3/4" HEX NUT
3	SN4795		MAIN HARROW FRAME
4	SN1599		3/4" X 4" HEX BOLT
	SN1040		3/4" LOCK WASHER
	SN106		3/4" HEX NUT
5	SN4789		FRAME PIVOT TUBE
6	SN7000		HARROW ADJUSTING ROD, 27 1/2" L.
	SNFK501164		HARROW ADJUSTING ROD, 23 1/2" L.
	SNFK150173		1" FLAT WASHER
	SN71L-2901		3/4" HAIRPIN COTTER
7	SNFK501168		BUSHING
8	SN6999		MOUNTING BRACKET, 6 HOLE
	SN4884R		MOUNTING BRACKET, 5 HOLE
9	SN821		3/4" X 5" HEX BOLT
	SN1040		3/4" LOCK WASHER
	SN106		3/4" HEX NUT
10	SNFK150258		1" X 6 1/4" X 7" L-BOLT
	SN1283		1" LOCK WASHER
	SN110		1" HEX NUT
11	SNFK501229		MOUNTING WEDGE
12	SN245		1" FLAT WASHER
13	SNFK351023		ADJUSTING ROD LOCK COLLAR
14	SN2078		1/2" X 1" SET SCREW
	SN159		1/2" JAM NUT
15	SNFK361003		LOWER ADJUSTING ROD SPRING
16	SNFK361002		UPPER ADJUSTING ROD SPRING
17	SN3938		1" HEX NYLON LOCK NUT

I0000696

3070 FALLOW KING
ROLLING TREADER

ROLLING TREADER GANG ASSEMBLY



04417

ROLLING TREADER GANG ASSEMBLY

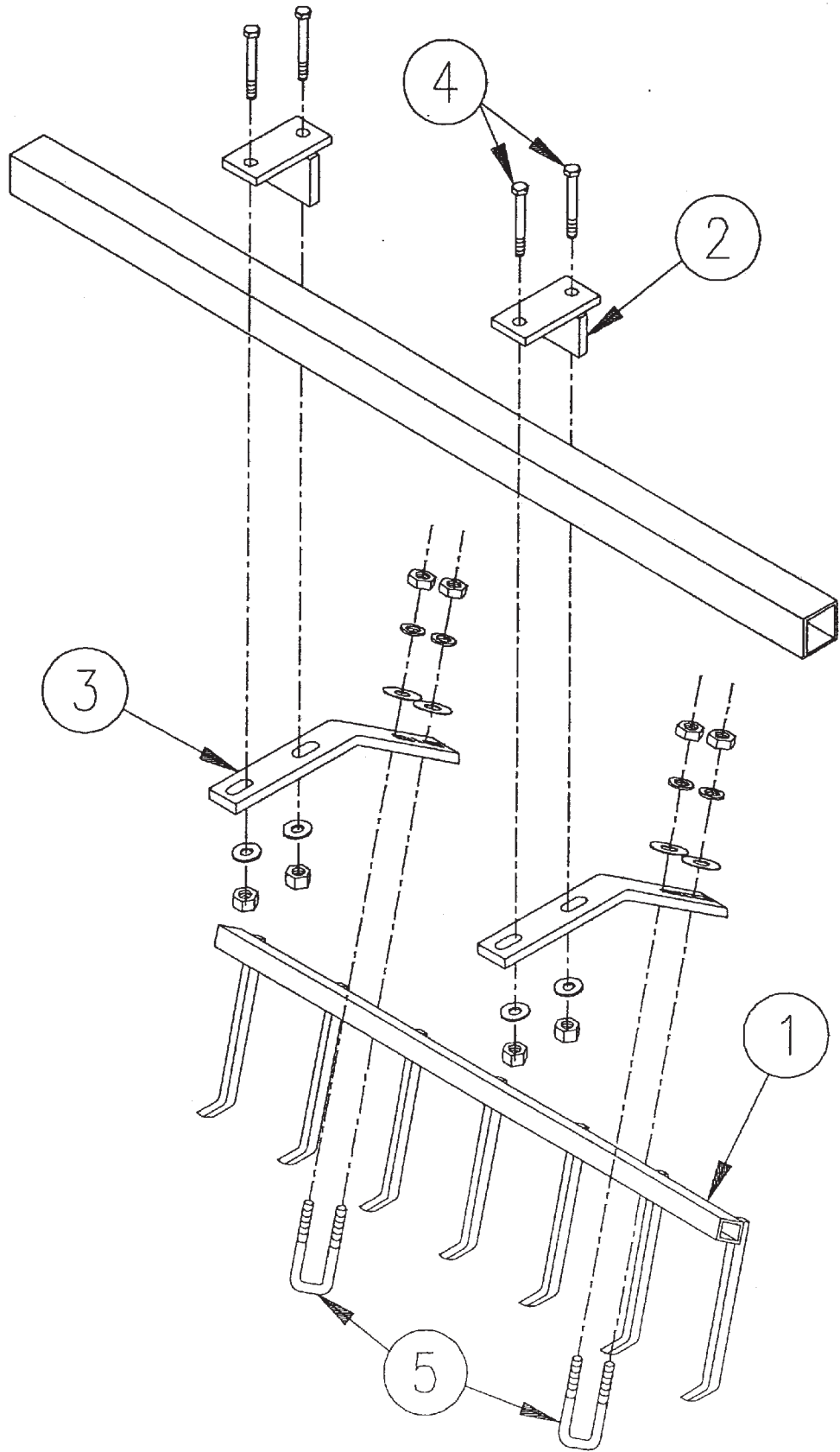
ITEM	NUMBER	QTY	DESCRIPTION
1	SNHCL		1" HEX CENTER LOCK NUT
2	SN10F-1639		GANG NUT
3	SN4820		8 TOOTH WHEEL, RIGHT
	SN4821		8 TOOTH WHEEL, LEFT (SHOWN)
4	SN4876		SPACER CASTING
5	SN1187		1/2" X 1 1/4" CARRIAGE BOLT
6	SNFK150185		1/2" X 1" CARRIAGE BOLT
7	SNH10-003		BEARING LUBRICATION FITTING GUARD
8	SNYYB3471		BEARING & FLANGE ASSEMBLY W/ZERK
9	SN4871		BEARING STANDARD
10	SNFK150257		5/8" X 3 3/4" X 3 3/4" L-BOLT
11	SN5090		6 WHEEL GANG, 8 TOOTH RIGHT
	SN5091		6 WHEEL GANG, 8 TOOTH LEFT
	SN4816		13 WHEEL GANG, 8 TOOTH RIGHT
	SN4815		13 WHEEL GANG, 8 TOOTH LEFT
12	SN5092		44" LONG HANGER BAR
	SN4879		89" LONG HANGER BAR
13	SN5155		8 TOOTH RIGHT LEVELING WHEEL
	SN5156		8 TOOTH LEFT LEVELING WHEEL (SHOWN)
14	SN9276		47 3/8" GANG SHAFT
	SN9283		89 3/8" GANG SHAFT
15	SN3735		1/2" CENTER LOCK NUT
16	SNFK150283		5/8" FLAT WASHER
17	SN669-1		5/8" LOCK NUT
18	SN3164		5/16" X 2" ROLL PIN

NOTE: ITEM (#14) SHAFT, IS A DIRECT REPLACEMENT FOR THE OLD STYLE SHAFT WHICH WAS THREADED ON ONE END. IF REPLACING THE OLD STYLE SHAFT WITH THE CURRENT SHAFT WHICH IS THREADED ON BOTH ENDS, AN ADDITIONAL GANG NUT (#2) AND ROLL PIN (#18) ARE REQUIRED.

I0004417

3070 FALLOW KING
ROLLING TREADER

STRIPPER ASSEMBLY



**3070 FALLOW KING
ROLLING TREADER**

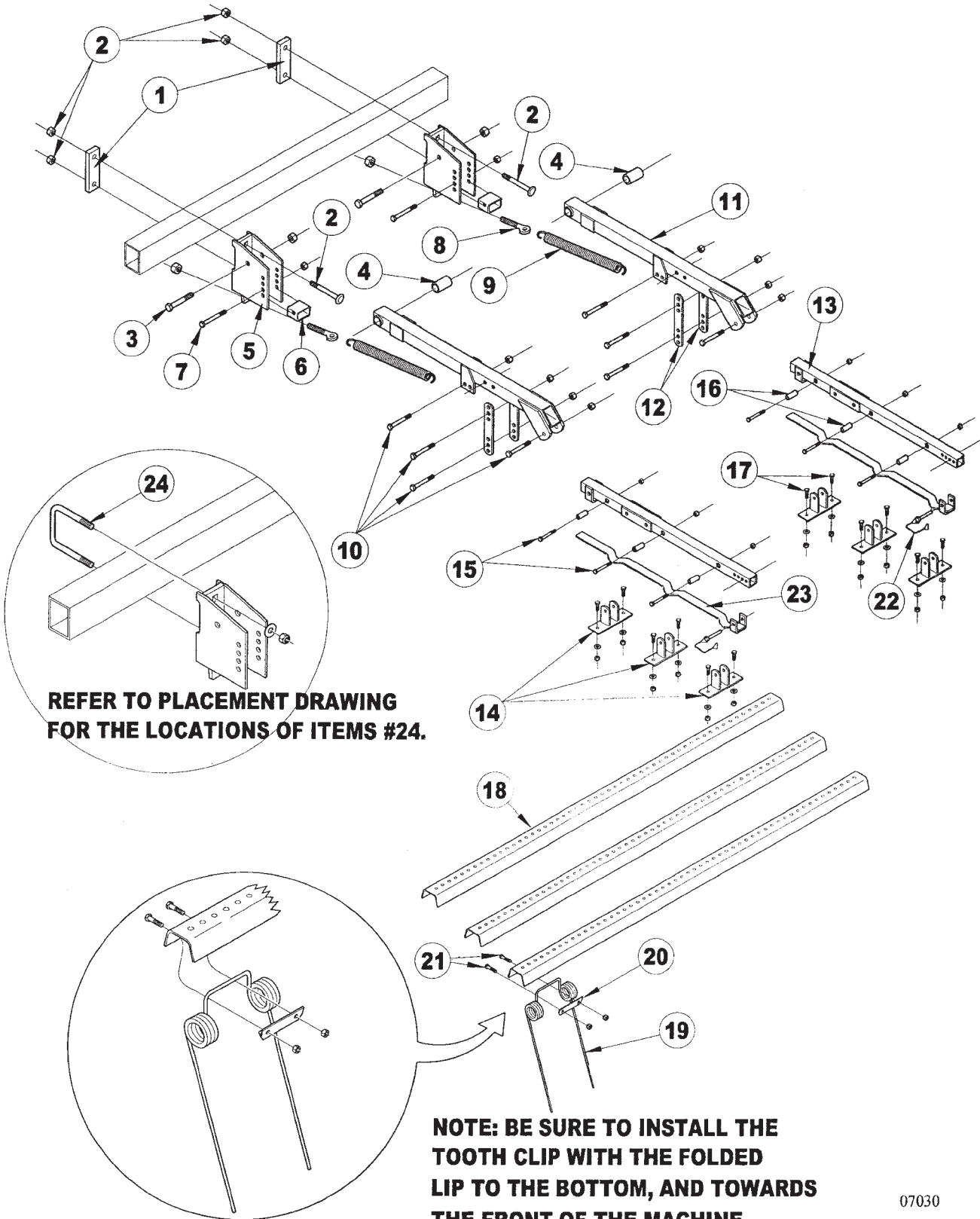
81

STRIPPER ASSEMBLY

ITEM	NUMBER	QTY	DESCRIPTION
1	SN5671		6 PRONG STRIPPER
2	SN5668		CLAMP PLATE
3	SN5669		MOUNT BAR
4	SN2557		5/8" X 4 1/2" HEX BOLT
	SN2089		5/8" FLAT WASHER
	SN669-1		5/8" LOCK NUT
5	SNR0G-014		STRIPPER BEAM U-BOLT
	SN486		1/2" FLAT WASHER
	SN113		1/2" LOCK WASHER
	SN114		1/2" HEX NUT

I0000562

DOUBLE ARM COIL TINE HARROW ASSEMBLY



3070 FALLOW KING
3 ROW COIL TINE

83

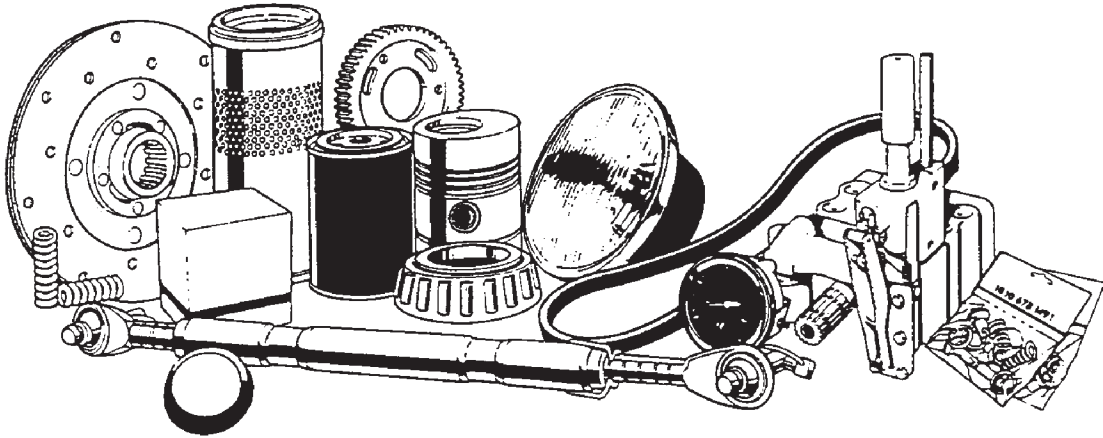
DOUBLE ARM COIL TINE HARROW ASSEMBLY

ITEM	NUMBER	QTY	DESCRIPTION
1	SN3647		CLAMP PLATE, 2 HOLE
2	SN3726		5/8" X 6 1/2" CARRIAGE BOLT
	SN669-1		5/8" LOCK NUT
3	SN3065		5/8" X 4" HEX BOLT
	SN669-1		5/8" LOCK NUT
4	SN3635		PIVOT BUSHING, 2 1/2" LONG
5	SN5719		HARROW MOUNT
6	SN3629		ARM STOP
7	SN3371		1/2" X 4" HEX BOLT
	SN2096		1/2" LOCK NUT
8	SN5731		EYE BOLT, 3/4" X 4 1/2"
	SNHEN3410		3/4" LOCK NUT
9	SN5732		SPRING, 1.40" O.D. X .82" I.D., 16 1/4"L
10	SN1507		1/2" X 3 1/2" HEX BOLT
	SN2096		1/2" LOCK NUT
11	SN5890		TINE CARRIER ARM, DOUBLE, LONG
12	SN5727		ANGLE LINK
13	SN5729		HARROW SUBFRAME (11" ROW SPACING SHOWN)
	SN7908		HARROW SUBFRAME, 3 ROW (15" ROW SPACING)
14	SN5723		TINE BAR PIVOT
15	SN4738		3/8" X 2 3/4" HEX BOLT
	SN3566		3/8" CENTER LOCK NUT
16	SN5730		PIVOT BUSHING
17	SN178		3/8" X 1" HEX BOLT
	SN317		3/8" FLAT WASHER
	SN3566		3/8" CENTER LOCK NUT
18	SN3610		67 1/2" TINE CHANNEL
	SN3611		82 1/2" TINE CHANNEL
19	SN5715		16" HARROW TOOTH
20	SN3621		TOOTH CLIP
21	SN175		3/8" X 1 1/2" HEX BOLT
	SN3567		3/8" NYLON LOCK NUT
22	SN3557		3/8" X 2 1/2" QUICK PIN
23	SN5724		TINE ANGLE ADJUSTMENT STOP (11" ROW SPACING SHOWN)
	SN7907		TINE ANGLE ADJUSTMENT STOP (15" ROW SPACING)
24	SN3052		U-BOLT, 5/8"-11 X 5 5/8" X 4 3/4" W, GR 5, Y/D
	SN2089		FLAT WASHER, 5/8", Y/D
	SN669-1		LOCK NUT, 5/8" HEX NYLON INSERT, GR 5, Y/D

I0007030

RECOMMENDED DEALER STOCK

RECOMMENDED DEALER'S STOCK



**3070 FALLOW KING
RECOMMENDED DEALER LIST**

85

RECOMMENDED DEALER STOCK

ITEM	NUMBER	QTY	DESCRIPTION
-	SN3303	1	1 1/32" I.D. X 1 3/4" O.D. WASHER
-	SN3302	1	1" SLOTTED FULL NUT
-	SN5715	8	16" HARROW TOOTH
-	SN1025	2	20" COULTER BLADE
-	SNFK320033	2	22" COULTER BLADE, 5 BOLT
-	SN5543	5	26" HFB STRAIGHT WING SWEEP
-	SN7012	5	32" HFB STRAIGHT WING SWEEP
-	SN5156	2	8 TOOTH LEFT LEVELING WHEEL
-	SN5155	2	8 TOOTH RIGHT LEVELING WHEEL
-	SN4821	2	8 TOOTH WHEEL, LEFT
-	SN4820	2	8 TOOTH WHEEL, RIGHT
-	SNFK502466	1	ANCHOER BUSHING
-	SNYYB3471	2	BEARING & FLANGE ASSEMBLY W/ZERK
-	SN1610	1	DUST CAP
-	SN5731	2	EYE BOLT, 3/4" X 4 1/2"
-	SN2799	1	FIVE BOLT HUB ASSEMBLY (ITEMS 22 - 32)
-	SN124	1	FOUR BOLT HUB
-	SN120	2	GREASE SEAL, DOUBLE LIP
-	SN3365	1	HITCH PIN
-	SN3366	1	HITCH SPRING
-	SN1602	2	INNER BEARING (LM48548)
-	SN1935	2	INNER BEARING (LM501349)
-	SN1603	2	INNER RACE (LM48510)
-	SN1936	2	INNER RACE (LM501310)
-	SN127	2	OUTER BEARING
-	SN1606	2	OUTER BEARING (LM67048)
-	SN126	2	OUTER RACE
-	SN1605	2	OUTER RACE (LM67010)
-	SN8775-1	2	SEAL KIT, 3 1/2", 1 1/4" ROD
-	SN8767-1	2	SEAL KIT, 3 1/4", 1 1/4" ROD
-	SN8776-1	2	SEAL KIT, 3 3/4", 1 3/8" ROD
-	SN8762-1	2	SEAL KIT, 3", 1 1/4" ROD
-	SN8939-1	2	SEAL KIT, 3", 1 1/4" ROD
-	SN8612-1	2	SEAL KIT, 4", 1 1/2" ROD
-	SN8784-1	2	SEAL KIT, 4", 1 1/2" ROD
-	SN8781-1	2	SEAL KIT, 4", 1 3/8" ROD
-	SN12039	2	SEAL KIT, 5", 2" ROD
-	SN8794-1	2	SEAL KIT, 5", 2" ROD
-	SN5540	2	SHANK, 1 1/2" X 2" X 30"
-	SN3300	1	SIX BOLT HUB ASSEMBLY WITH 3301 SEAL
-	SN7001	1	SMV EMBLEM
-	SN5732	2	SPRING, 1.40" O.D. X .82" I.D., 16 1/4"L
-	SN3621	8	TOOTH CLIP
-	SN3301	2	TRIPLE LIP SEAL
-	SN1799	2	TRIPLE LIP SEAL (C/R 17618)
-	SN4843	2	U-BOLT, 1/2"-13 X 5 1/4" X 2 1/2" W,
-	SN3052	2	U-BOLT, 5/8"-11 X 5 5/8" X 4 3/4" W,

NOTE: THIS PARTS STOCK LIST
INDICATES THOSE ITEMS RECOMMENDED
TO SERVICE ONE UNIT.

RDL

CULTIVATORS/PACKERS

PARTS CATALOG

SUNFLOWER[®]
5055 44' - 62' FIELD CULTIVATOR
ATTACHMENTS

RECOMMENDED DEALER LIST	
RECOMMENDED DEALER STOCK	19
SPIKE & REEL PARTS SECTION	
REAR JACK ASSEMBLY	15
3-ROW SPIKE DRAG & REEL	11
3-ROW COIL TINE PARTS SECTION	
DOUBLE ARM COIL TINE HARROW ASSEMBLY	17
4-ROW SPIKE DRAG PARTS SECTION	
4-ROW SPIKE DRAG ASSEMBLY	7
5-ROW SPIKE DRAG PARTS SECTION	
5-ROW SPIKE DRAG ASSEMBLY	9

5055 FIELD CULTIVATOR ATTACHMENTS

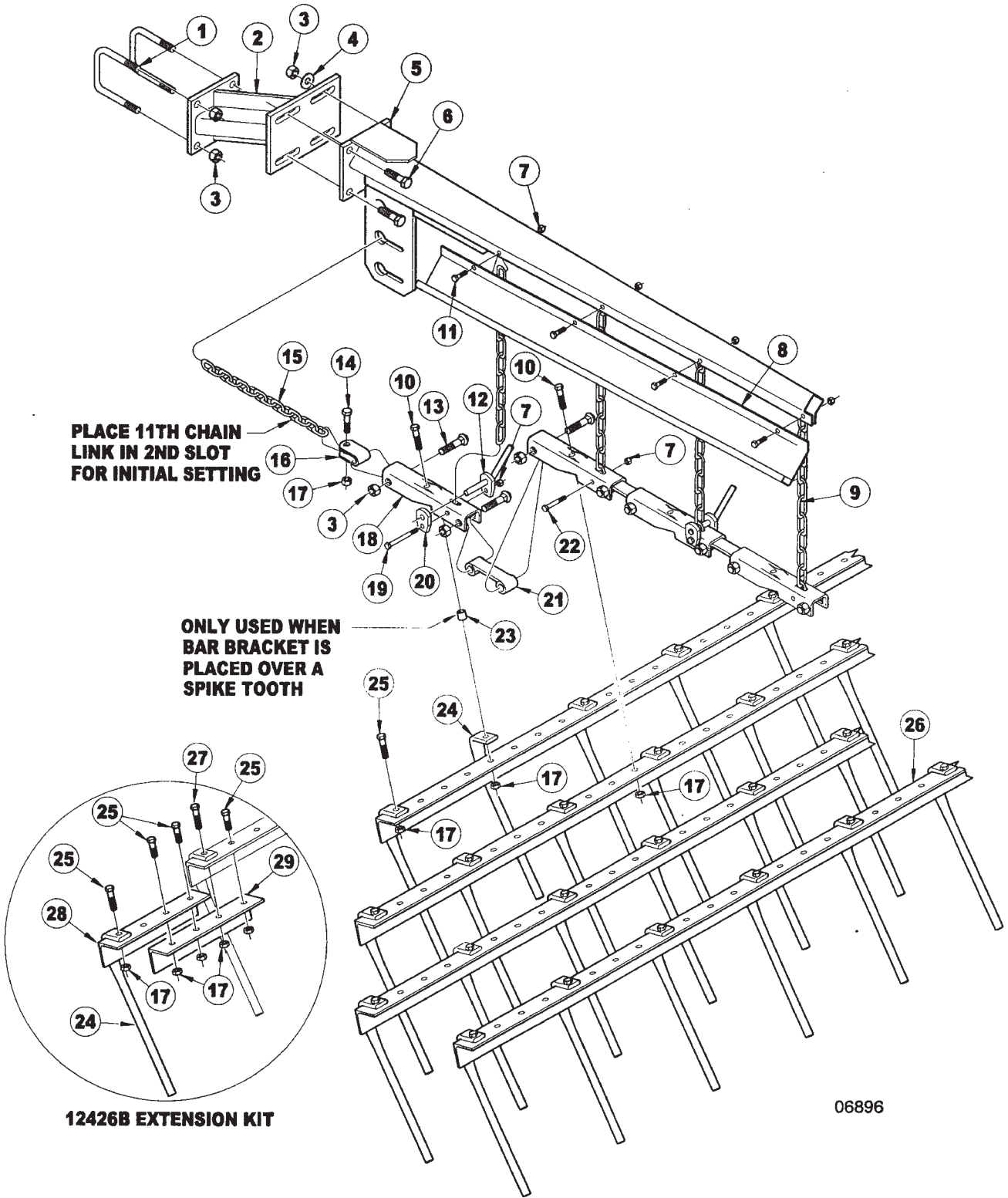
Part No.	Page	Grid	Part No.	Page	Grid	Part No.	Page	Grid	Part No.	Page	Grid
SNHEN3410	17	1-B 7	SN3609	17	1-B 7	SN5732	17	1-B 7			
SN10057	11	1-B 7	SN3610	17	1-B 7	SN5732	19	1-B 7			
SN10059B	11	1-B 7	SN3611	17	1-B 7	SN5810	7	1-B 6			
SN10061	11	1-B 7	SN3612	17	1-B 7	SN5810	13	1-B 7			
SN10147	7	1-B 6	SN3613	11	1-B 7	SN5811	9	1-B 6			
SN10148B	7	1-B 6	SN3619	11	1-B 7	SN5811	11	1-B 7			
SN10149B	7	1-B 6	SN3619	19	1-B 7	SN5890	17	1-B 7			
SN10153	7	1-B 6	SN3621	17	1-B 7	SN5954	11	1-B 7			
SN10154	7	1-B 6	SN3621	19	1-B 7	SN5955	9	1-B 6			
SN10155	7	1-B 6	SN3622	11	1-B 7	SN5955	11	1-B 7			
SN10156	7	1-B 6	SN3623	11	1-B 7	SN669-1	7	1-B 6			
SN10158	7	1-B 6	SN3625	11	1-B 7	SN669-1	9	1-B 6			
SN10160	7	1-B 6	SN3626	11	1-B 7	SN669-1	11	1-B 7			
SN10161	7	1-B 6	SN3628	11	1-B 7	SN669-1	15	1-B 7			
SN10161	19	1-B 7	SN3628	19	1-B 7	SN669-1	17	1-B 7			
SN10162	7	1-B 6	SN3629	17	1-B 7	SN670	7	1-B 6			
SN10162	19	1-B 7	SN3635	17	1-B 7	SN670	11	1-B 7			
SN10163	7	1-B 6	SN3635	19	1-B 7	SN7013	7	1-B 6			
SN1040	11	1-B 7	SN3644	11	1-B 7	SN7013	9	1-B 6			
SN106	11	1-B 7	SN3645	11	1-B 7	SN7013	11	1-B 7			
SN112	7	1-B 6	SN3647	17	1-B 7	SN7013	19	1-B 7			
SN112	9	1-B 6	SN3652	13	1-B 7	SN7013	19	1-B 7			
SN112	11	1-B 7	SN3859	17	1-B 7	SN7016	9	1-B 6			
SN12131	7	1-B 6	SN3894	9	1-B 6	SN7016	11	1-B 7			
SN12131	9	1-B 6	SN3894	11	1-B 7	SN7017	9	1-B 6			
SN12424	7	1-B 6	SN3894	19	1-B 7	SN7017	11	1-B 7			
SN12425	7	1-B 6	SN3895	11	1-B 7	SN7270	13	1-B 7			
SN1507	11	1-B 7	SN3895	19	1-B 7	SN7273	13	1-B 7			
SN1507	17	1-B 7	SN3895B	9	1-B 6	SN7605	9	1-B 6			
SN156	11	1-B 7	SN3917	17	1-B 7	SN7907	17	1-B 7			
SN1599	11	1-B 7	SN3964	13	1-B 7	SN7908	17	1-B 7			
SN1609	11	1-B 7	SN3967	9	1-B 6	SN7918	9	1-B 6			
SN175	13	1-B 7	SN3968	9	1-B 6	SN9777	15	1-B 7			
SN175	17	1-B 7	SN3969	9	1-B 6	SN9917	11	1-B 7			
SN178	17	1-B 7	SN3969	11	1-B 7						
SN1823	7	1-B 6	SN3971	9	1-B 6						
SN1823	9	1-B 6	SN3971	11	1-B 7						
SN1823	11	1-B 7	SN3972	9	1-B 6						
SN194	7	1-B 6	SN3972	11	1-B 7						
SN194	11	1-B 7	SN3976	7	1-B 6						
SN2045	7	1-B 6	SN3976	9	1-B 6						
SN2045	9	1-B 6	SN3976	11	1-B 7						
SN2045	11	1-B 7	SN3976	19	1-B 7						
SN2094	15	1-B 7	SN3977	9	1-B 6						
SN2096	7	1-B 6	SN3977	11	1-B 7						
SN2098-6	11	1-B 7	SN3979	9	1-B 6						
SN2557	13	1-B 7	SN3979	11	1-B 7						
SN2755	11	1-B 7	SN3982	7	1-B 6						
SN2867	15	1-B 7	SN3982	9	1-B 6						
SN3065	17	1-B 7	SN3982	13	1-B 7						
SN317	17	1-B 7	SN3983	7	1-B 6						
SN3215	11	1-B 7	SN3983	9	1-B 6						
SN3215	19	1-B 7	SN3984	7	1-B 6						
SN3306	7	1-B 6	SN3984	9	1-B 6						
SN3306	9	1-B 6	SN3985	7	1-B 6						
SN3306	13	1-B 7	SN3985	9	1-B 6						
SN3306	15	1-B 7	SN3985	11	1-B 7						
SN3306	19	1-B 7	SN4738	7	1-B 6						
SN3335	11	1-B 7	SN4738	9	1-B 6						
SN3352	15	1-B 7	SN4738	11	1-B 7						
SN3353	15	1-B 7	SN4738	17	1-B 7						
SN3354	15	1-B 7	SN4870	11	1-B 7						
SN3355	15	1-B 7	SN4888	13	1-B 7						
SN3371	15	1-B 7	SN5059	7	1-B 6						
SN3371	17	1-B 7	SN5059B	9	1-B 6						
SN3557	17	1-B 7	SN5106	7	1-B 6						
SN3565	7	1-B 6	SN5106B	9	1-B 6						
SN3565	9	1-B 6	SN5715	17	1-B 7						
SN3566	17	1-B 7	SN5715	19	1-B 7						
SN3567	7	1-B 6	SN5719	17	1-B 7						
SN3567	9	1-B 6	SN5723	17	1-B 7						
SN3567	11	1-B 7	SN5727	17	1-B 7						
SN3567	17	1-B 7	SN5730	17	1-B 7						
SN3569	17	1-B 7	SN5731	17	1-B 7						
SN3606	11	1-B 7	SN5731	19	1-B 7						

5055 FIELD CULTIVATOR ATTACHMENTS

Part No.	Page	Grid	Part No.	Page	Grid	Part No.	Page	Grid	Part No.	Page	Grid
----------	------	------	----------	------	------	----------	------	------	----------	------	------

5055 44' - 62' FIELD CULTIVATOR ATTACHMENTS
4-ROW SPIKE DRAG PARTS SECTION

4-ROW SPIKE DRAG ASSEMBLY



PLACE 11TH CHAIN LINK IN 2ND SLOT FOR INITIAL SETTING

ONLY USED WHEN BAR BRACKET IS PLACED OVER A SPIKE TOOTH

12426B EXTENSION KIT

06896

5055 44' - 62' FIELD CULTIVATOR ATTACHMENTS
4-ROW SPIKE DRAG PARTS SECTION

7

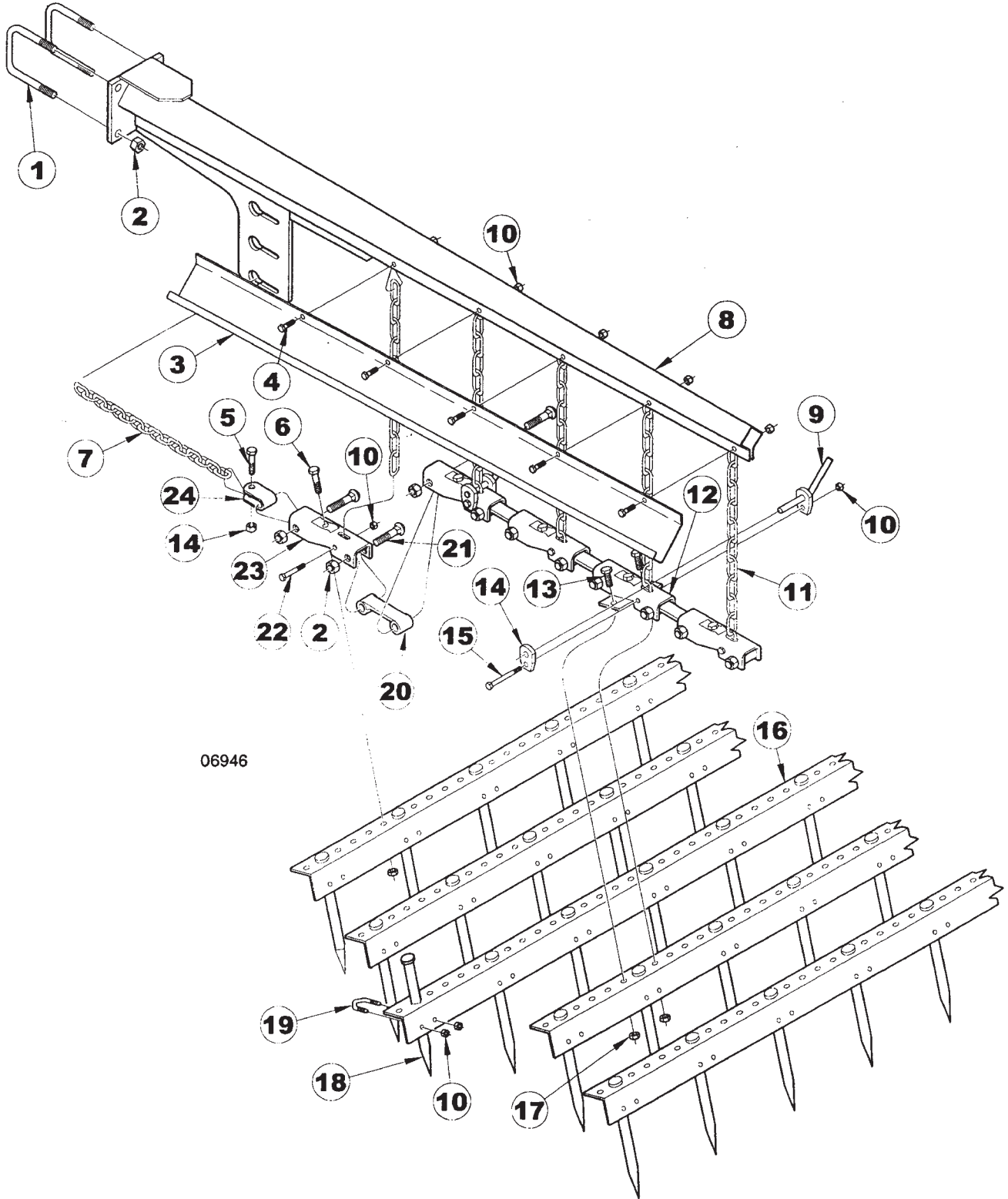
4-ROW SPIKE DRAG ASSEMBLY

ITEM	NUMBER	QTY	DESCRIPTION
1	SN3306		U-BOLT, 5/8"-11 X 4 1/2" X 4 5/8" W,5, Y/D GR
2	SN10158		EXTENSION, 4 5/8" RISE
3	SN669-1		LOCK NUT, 5/8" HEX NYLON
4	SN5810		WASHER, 1 5/16" OD X 11/16" ID.149" THICK, HARDENED, Y/D
5	SN10160		ARM, SPIKE TOOTH 4 ROW
6	SN670		HEX BOLT, 5/8"-11 X 2", GR 5, Y/D
7	SN3567		LOCK NUT, 3/8"-16 HEX NYLON INSERT, GR 2, Y/D
8	SN12131		CATCH TRAY, 48"
9	SN3982		CHAIN, 7/0 SIDE 10 LINKS
10	SN112		HEX BOLT, 1/2"-13 X 2 1/2", GR 5, Y/D
11	SN3984		HEX BOLT, 3/8"-16 X 1 1/4",GR 5, Y/D
12	SN5106		CATCH TRAY HOOK
13	SN3985		CARRIAGE BOLT, 5/8"-11 X 3" GR 5, Y/D SPECIAL
14	SN2045		HEX BOLT, 1/2"-13 X 1 3/4", GR5, Y/D
15	SN3983		CHAIN, 5/16" PROOF, 25 LINKS
16	SN7013		U-CLIP
17	SN2096		LOCK NUT, 1/2"-13 HEX NYLON INSERT
18	SN10163		BAR BRACKET
19	SN3565		HEX BOLT, 3/8"-16 X 3 1/2", GR 5, Y/D
20	SN5059		PLATE, CATCH TRAY HOOK
21	SN3976		LINK, OFFSET
22	SN4738		HEX BOLT, 3/8"-16 X 2 3/4", GR 5, Y/D
23	SN10162		BUSHING,.750" OD X.500" ID, 11/16"L
24	SN10161		TOOTH, SPIKE 3/4" ROUND
25	SN1823		HEX BOLT, 1/2"-13 X 1 1/4", GR 5, Y/D
26	SN10153		TOOTH, SPIKE BAR 7 1/4' (8 TOOTH)
	SN10147		TOOTH, SPIKE BAR 8 1/4' (9 TOOTH)
	SN10154		TOOTH, SPIKE BAR 9 1/4' (10 TOOTH)
	SN10155		TOOTH, SPIKE BAR 10 1/4' (11 TOOTH)
	SN10148B		TOOTH, SPIKE BAR 11 1/4' (12 TOOTH)
	SN10156		TOOTH, SPIKE BAR 12 1/4' (13 TOOTH)
	SN10149B		TOOTH, SPIKE BAR 14 1/4' (15 TOOTH)
27	SN194		HEX BOLT, 1/2"-13 X 1 1/2",GR 5, Y/D
28	SN12425		BAR, SPIKE TOOTH EXTENSION,11 7/8" L
29	SN12424		CONNECTOR, SPIKE BAR EXTENSION

I0006896

5055 44' - 62' FIELD CULTIVATOR ATTACHMENTS
5-ROW SPIKE DRAG PARTS SECTION

5-ROW SPIKE DRAG ASSEMBLY



06946

5055 44' - 62' FIELD CULTIVATOR ATTACHMENTS
5-ROW SPIKE DRAG PARTS SECTION

9

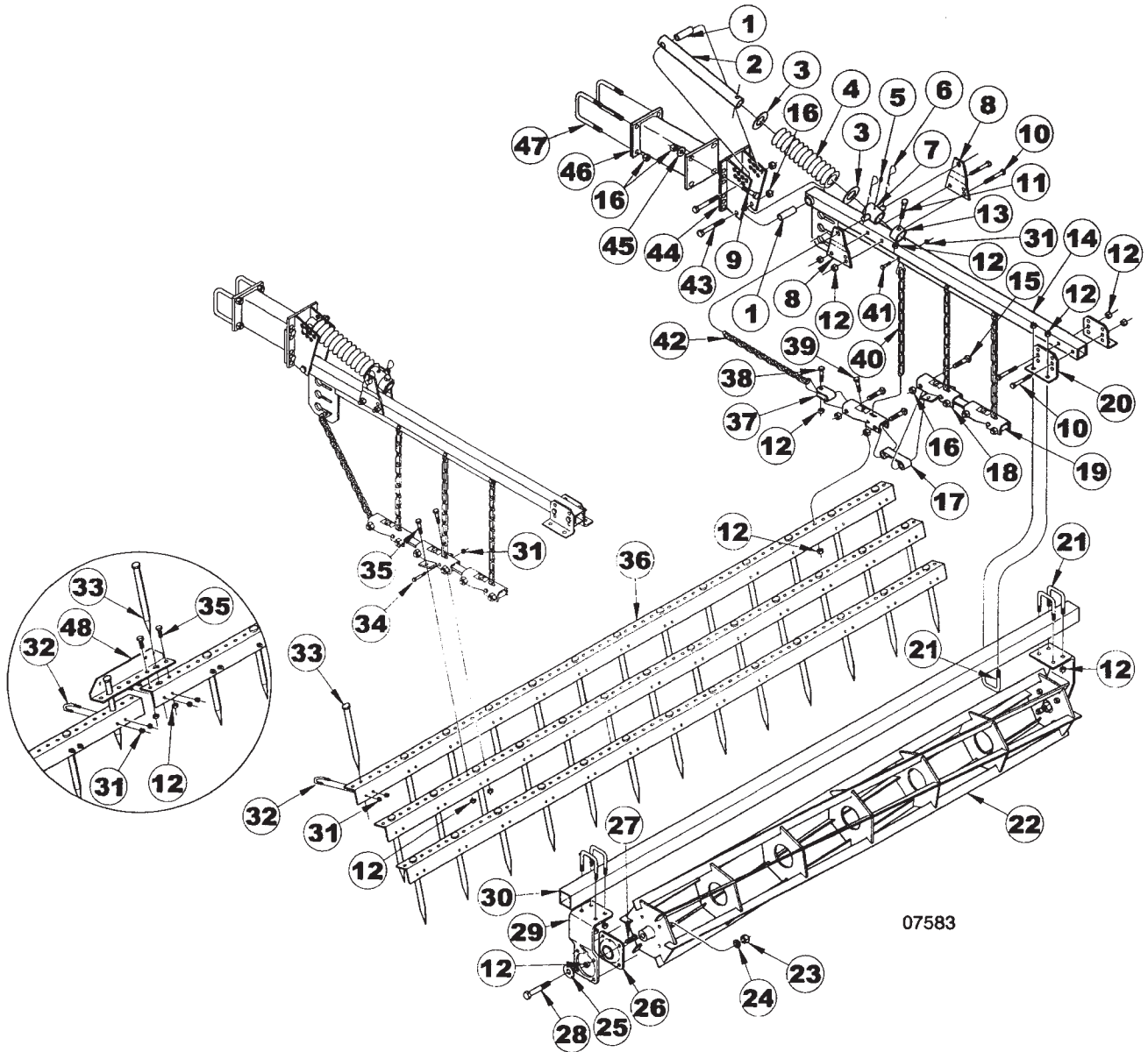
5-ROW SPIKE DRAG ASSEMBLY

ITEM	NUMBER QTY	DESCRIPTION
1	SN3306	U-BOLT, 5/8"-11 X 4 1/2" X 4 5/8" W, GR 5, Y/D
2	SN669-1	LOCK NUT, 5/8" HEX NYLON
3	SN12131	CATCH TRAY, 48"
4	SN3984	HEX BOLT, 3/8"-16 X 1 1/4", GR 5, Y/D
5	SN2045	HEX BOLT, 1/2"-13 X 1 3/4", GR5, Y/D
6	SN112	HEX BOLT, 1/2"-13 X 2 1/2", GR 5, Y/D
7	SN3983	CHAIN, 5/16" PROOF, 25 LINKS
8	SN7918	SPIKE TOOTH ARM, 5 ROW EXTEND-ED
9	SN5106B	CATCH TRAY HOOK
10	SN3567	LOCK NUT, 3/8"-16 HEX NYLON INSERT, GR 2, Y/D
11	SN3982	CHAIN, 7/0 SIDE 10 LINKS
12	SN3979	DOUBLE BAR BRACKET
13	SN1823	HEX BOLT, 1/2"-13 X 1 1/4", GR 5, Y/D
14	SN5059B	PLATE, CATCH TRAY HOOK
15	SN3565	HEX BOLT, 3/8"-16 X 3 1/2", GR 5, Y/D
16	SN7605	SPIKE TOOTH BAR, 4 1/4' (6 TOOTH)
	SN3967	SPIKE TOOTH BAR, 5' (7 TOOTH)
	SN7016	SPIKE TOOTH BAR, 5 1/2' (8 TOOTH)
	SN3968	SPIKE TOOTH BAR, 6 1/2' (9 TOOTH)
	SN7017	SPIKE TOOTH BAR, 7 1/4' (10 TOOTH)
	SN3969	SPIKE TOOTH BAR, 8' (11 TOOTH)
	SN5955	SPIKE TOOTH BAR, 10 1/4' (14 TOOTH)
	SN3971	SPIKE TOOTH BAR, 11'(15 TOOTH)
	SN5811	SPIKE TOOTH BAR, 11 3/4' (16 TOOTH)
	SN3972	SPIKE TOOTH BAR, 12 1/2' (17 TOOTH)
17	SN2096	LOCK NUT, 1/2"-13 HEX NYLON INSERT
18	SN3895B	SPIKE TOOTH, 3/4" X 11"
19	SN3894	TRI-BEND BOLT, 3/8"-16 X
20	SN3976	LINK, OFFSET
21	SN3985	CARRIAGE BOLT, 5/8"-11 X 3" GR 5, Y/D SPECIAL
22	SN4738	HEX BOLT, 3/8"-16 X 2 3/4", GR 5, Y/D
23	SN3977	BAR BRACKET
24	SN7013	U-CLIP

I0006946

5055 44' - 62' FIELD CULTIVATOR ATTACHMENTS
SPIKE & REEL PARTS SECTION

3-ROW SPIKE DRAG & REEL



07583

5055 44' - 62' FIELD CULTIVATOR ATTACHMENTS
SPIKE & REEL PARTS SECTION

11

3-ROW SPIKE DRAG & REEL

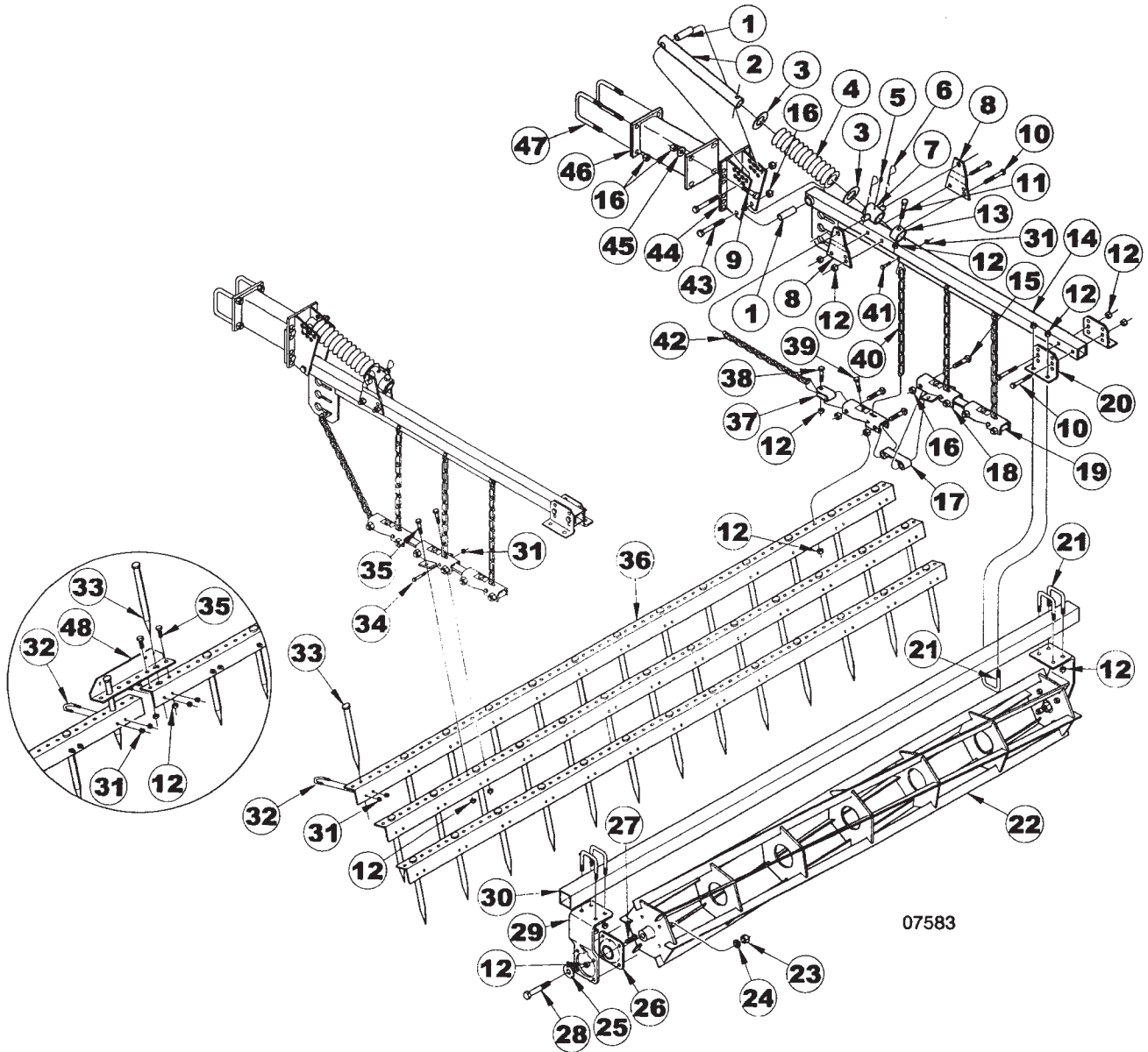
ITEM	NUMBER	QTY	DESCRIPTION
1	SN3628		REEL CARRIER ARM PIVOT BUSHING
2	SN3625		SPRING TUBE
3	SN2755		FLAT WASHER, 1 9/16"ID X
4	SN3335		SPRING
5	SN2098-6		GREASE ZERK, 1/4"-28, 17/32" L
6	SN1609		COTTER PIN, 3/16" X 1 1/2"
7	SN3623		SPRING PIVOT
8	SN3606		SPRING MOUNT
9	SN670		HEX BOLT, 5/8"-11 X 2", GR 5, Y/D
10	SN1507		HEX BOLT, 1/2"-13 X 3 1/2", GR 5, Z/P
11	SN156		HEX BOLT, 1/2"-13 X 3", GR 5 Z/P
12	SN2096		LOCK NUT, 1/2"-13 HEX NYLON INSERT
13	SN3626		SPRING STOP
14	SN4870		SPIKE & REEL ARM
15	SN3985		BOLT,CGE, 5/8-11 X 3 GR5, Z/P SPECIAL
16	SN669-1		LOCK NUT, 5/8" HEX NYLON
17	SN3976		LINK, OFFSET
18	SN3979		DOUBLE BAR BRACKET
19	SN3977		BAR BRACKET
20	SN3622		REEL GANG BAR MOUNT
21	SN3619		U-BOLT, 1/2-13 X 3 5/8 X 3 W, GR 5, Z/P
22	SN10057		REEL, 41 1/4"
	SN10059B		REEL, 56 1/4"
	SN10061		REEL, 71 1/4"
23	SN106		HEX NUT, 3/4"-10 FULL, GR 5, Z/P
24	SN1040		LOCK WASHER, 3/4" SPLIT TYPE MED, Z/P
25	SN3613		FLAT WASHER,7/8ID X 2 1/8OD X 1/4THK,Z/P
26	SN3215		FLANGETTE BEARING, 1 3/4" BORE
27	SN194		HEX BOLT, 1/2"-13 X 1 1/2",GR 5, Y/D,USA
28	SN1599		HEX BOLT, 3/4"-10 X 4", GR 5, Z/P
29	SN9917		BEARING STANDARD
30	SN3644		GANG BAR, 75"
	SN3645		GANG BAR, 90"
31	SN3567		LOCK NUT, 3/8"-16 HEX NYLON INSERT, GR 2, Z/P
32	SN3894		TRI-BEND BOLT, 3/8"-16 X 1 1/2", Z/P
33	SN3895		SPIKE TOOTH, 3/4" X 11"
34	SN4738		HEX BOLT, 3/8"-16 X 2 3/4", GR 5, Z/P
35	SN1823		HEX BOLT, 1/2"-13 X 1 1/4", GR 5, Z/P
36	SN7016		SPIKE TOOTH BAR, 5 1/2' (8TOOTH)
	SN7017		SPIKE TOOTH BAR, 7 1/4' (10 TOOTH)
	SN3969		SPIKE TOOTH BAR, 8' (11 TOOTH)
	SN5954		SPIKE TOOTH BAR, 8 3/4' (12 TOOTH)
	SN5955		SPIKE TOOTH BAR, 10 1/4' (14 TOOTH)
	SN3971		SPIKE TOOTH BAR, 11' (15 TOOTH)
	SN5811		SPIKE TOOTH BAR, 11 3/4' (16 TOOTH)
	SN3972		SPIKE TOOTH BAR, 12 1/2' (17 TOOTH)
37	SN7013		U-CLIP
38	SN2045		HEX BOLT, 1/2"-13 X 1 3/4", GR5, Z/P
39	SN112		HEX BOLT, 1/2"-13 X 2 1/2", GR 5, Z/P

CONTINUED

I0007583

5055 44' - 62' FIELD CULTIVATOR ATTACHMENTS
SPIKE & REEL PARTS SECTION

3-ROW SPIKE DRAG & REEL



5055 44' - 62' FIELD CULTIVATOR ATTACHMENTS
SPIKE & REEL PARTS SECTION

13

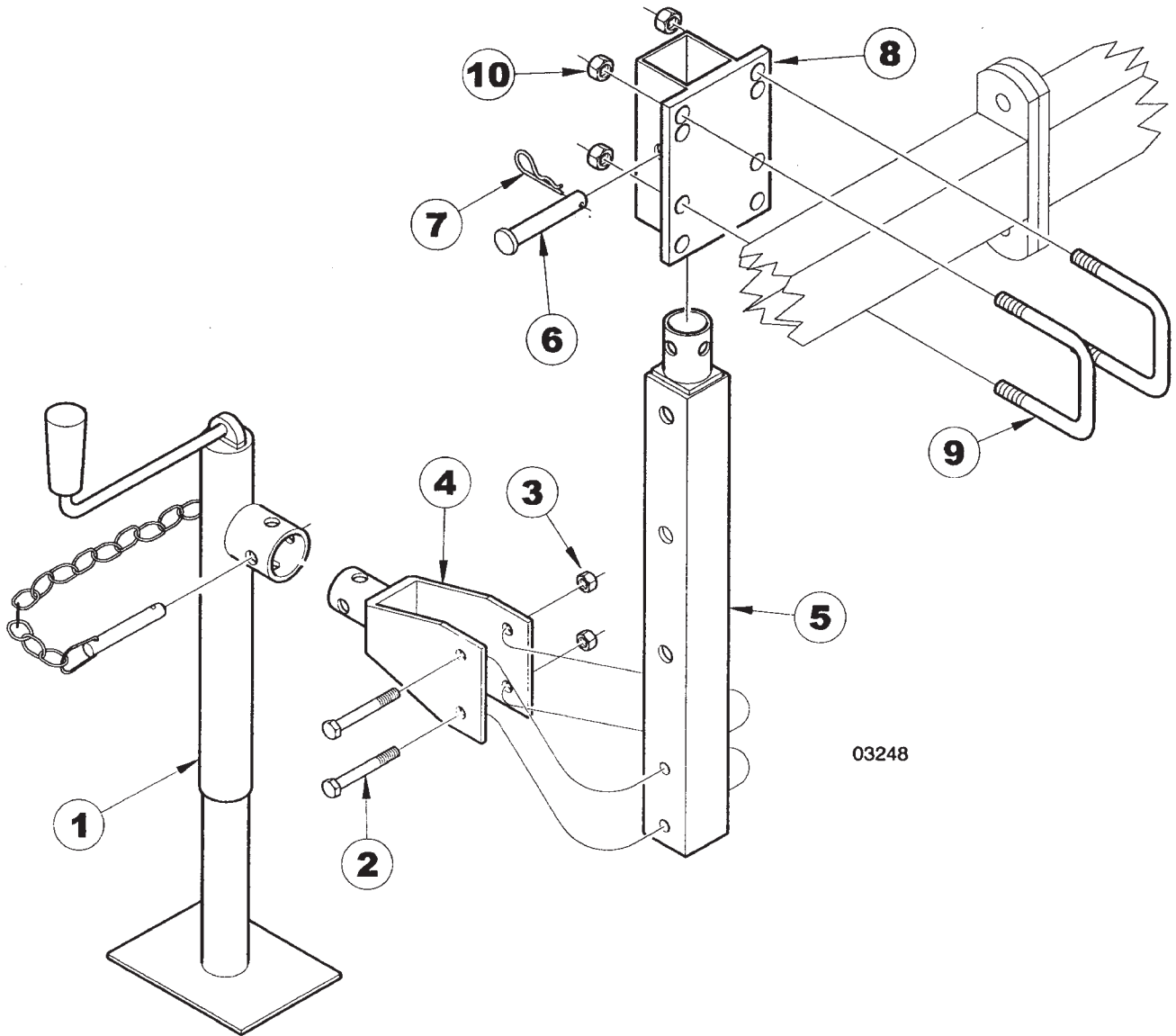
3-ROW SPIKE DRAG & REEL

ITEM	NUMBER	QTY	DESCRIPTION
40	SN3982		CHAIN, 7/0 SIDE 10 LINKS
41	SN175		HEX BOLT, 3/8"-16 X 1 1/2", GR 5, Y/D
42	SN4888		CHAIN, 5/16" PROOF, 15 LINKS
43	SN2557		HEX BOLT, 5/8"-11 X 4 1/2", GR 5, Z/P
44	SN3652		REEL & TINE MOUNT
45	SN5810		WASHER, 1 5/16 OD X 11/16 ID .149 THK, HARDENED, Z/P
46	SN7270		HARROW ARM EXTENSION, 12"
	SN7273		HARROW ARM EXTENSION, 12" L
47	SN3306		U-BOLT, 5/8-11 X 4 1/2 X 4 5/8 W, GR 5, Z/P
48	SN3964		SPIKE TOOTH EXTENSION, 18" (2 TOOTH)

I0007583

5055 44' - 62' FIELD CULTIVATOR ATTACHMENTS
SPIKE & REEL PARTS SECTION

REAR JACK ASSEMBLY



5055 44' - 62' FIELD CULTIVATOR ATTACHMENTS
SPIKE & REEL PARTS SECTION

15

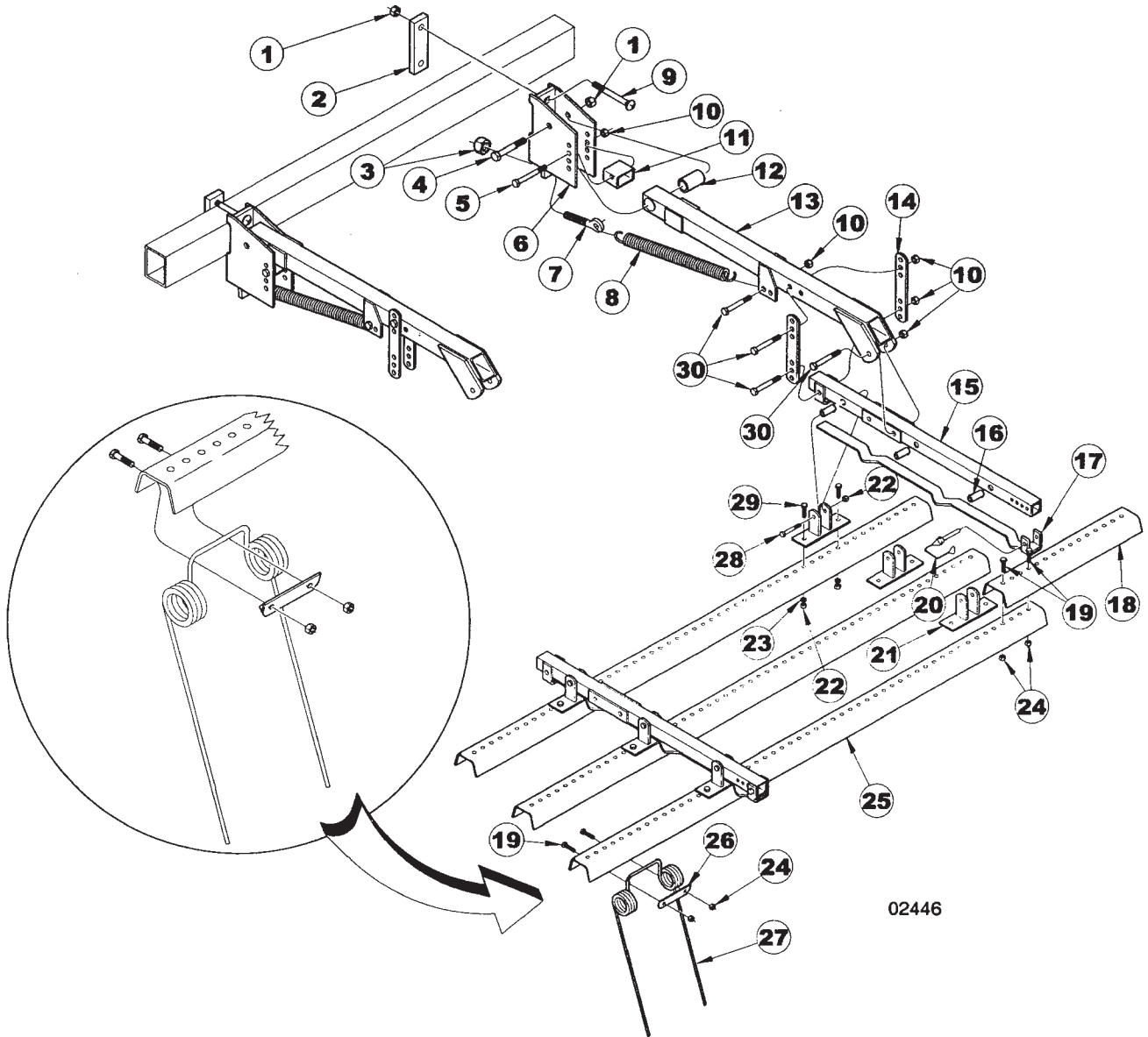
REAR JACK ASSEMBLY

ITEM	NUMBER	QTY	DESCRIPTION
1	SN9777		LONG TONGUE JACK, SQ W/TUBE MOUNT
2	SN3371		HEX BOLT, 1/2"-13 X 4", GR 5, Z/P
3	SN2096		LOCK NUT, 1/2"-13 HEX NYLON INSERT
4	SN3355		JACK BRACKET
5	SN3354		JACK TUBE
6	SN2094		PIN, 3/4" X 4 1/2" (4"), Z/P
7	SN2867		PIN CLIP, 1/2"-5/8" SHAFT,.120" DIA, 2" L
8	SN3353		JACK ADAPTER PLATE
9	SN3306		U-BOLT, 5/8"-11 X 4 1/2" X 4 5/8" W, GR 5, Z/P
10	SN669-1		LOCK NUT, 5/8" HEX NYLON INSERT, GR 5, Z/P
	SN3352		REAR JACK MOUNT ASSEMBLY, LESS U-BOLTS & JACK (ITEMS 2-8)

I0003248

5055 44' - 62' FIELD CULTIVATOR ATTACHMENTS
3-ROW COIL TINE PARTS SECTION

DOUBLE ARM COIL TINE HARROW ASSEMBLY



02446

5055 44' - 62' FIELD CULTIVATOR ATTACHMENTS

17

3-ROW COIL TINE PARTS SECTION

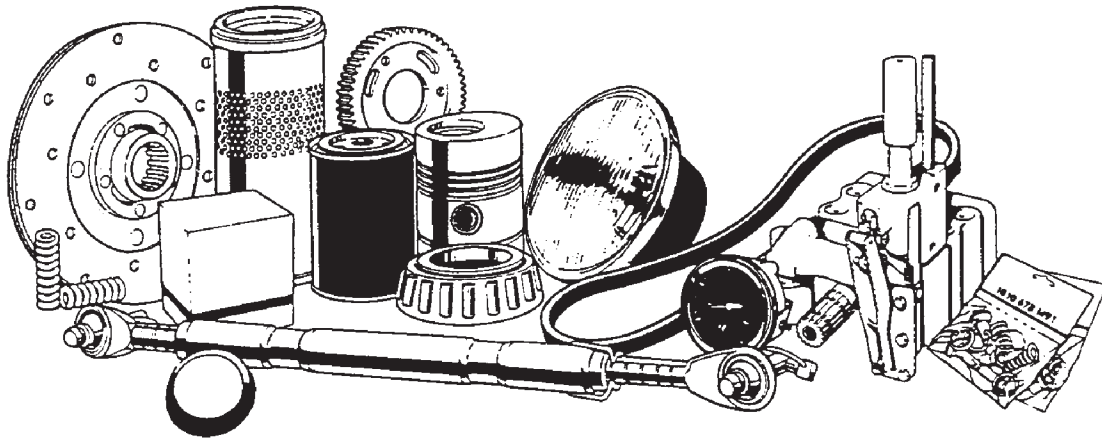
DOUBLE ARM COIL TINE HARROW ASSEMBLY

ITEM	NUMBER	QTY	DESCRIPTION
1	SN669-1		LOCK NUT, 5/8" HEX NYLON
2	SN3647		CLAMP PLATE, 2 HOLE
3	SNHEN3410		LOCK NUT, 3/4" HEX NYLON INSERT, Y/D
4	SN3065		HEX BOLT, 5/8"-11 X 4", GR 5, Y/D
5	SN3371		HEX BOLT, 1/2"-13 X 4", GR 5, Y/D
6	SN5719		HARROW MOUNT, 4" FRAME, 2 1/2" W
7	SN5731		EYE BOLT, 3/4"-10 X 4 1/2" Y/D
8	SN5732		SPRING, 1.40" OD X.82" ID X 16 1/4" L
9	SN3569		CARRIAGE BOLT, 5/8"-11 X
10	SN2096		LOCK NUT, 1/2"-13 HEX NYLON INSERT
11	SN3629		ARM STOP
12	SN3635		PIVOT BUSHING 2 1/2" L
13	SN5890		TINE CARRIER ARM, DOUBLE, LONG
14	SN5727		ANGLE LINK
15	SN7908		HARROW SUBFRAME, 3 ROW (15" ROW SP)
16	SN5730		PIVOT BUSHING
17	SN7907		TINE ANGLE ADJUSTMENT STOP (15" ROW SP)
18	SN3859		HARROW CONNECTOR
19	SN175		HEX BOLT, 3/8"-16 X 1 1/2", GR 5, Y/D
20	SN3557		QUICK PIN, 3/8" DIA X 2 1/2"
21	SN5723		TINE BAR PIVOT
22	SN3566		LOCK NUT, 3/8"-16 HEX CENTER, GR 2, Y/D
23	SN317		FLAT WASHER, 3/8", Y/D
24	SN3567		LOCK NUT, 3/8"-16 HEX NYLON INSERT, GR 2, Y/D
25	SN3917		TINE CHANNEL, 37 1/2"
	SN3609		TINE CHANNEL, 52 1/2"
	SN3610		TINE CHANNEL, 67 1/2"
	SN3611		TINE CHANNEL, 82 1/2"
	SN3612		TINE CHANNEL, 97 1/2"
26	SN3621		TOOTH CLIP, Y/D
27	SN5715		HARROW TOOTH, 3/8" DIA X 16" L
28	SN4738		HEX BOLT, 3/8"-16 X 2 3/4", GR 5, Y/D
29	SN178		HEX BOLT, 3/8"-16 X 1", GR 5, Y/D
30	SN1507		HEX BOLT, 1/2"-13 X 3 1/2", GR 5, Y/D

I0002446

RECOMMENDED DEALER STOCK

RECOMMENDED DEALER'S STOCK



5055 44' - 62' FIELD CULTIVATOR ATTACHMENTS
RECOMMENDED DEALER LIST

19

RECOMMENDED DEALER STOCK

ITEM	NUMBER	QTY	DESCRIPTION
-	SN10162	2	BUSHING,.750" OD X.500" ID, 11/16"L
-	SN5731	2	EYE BOLT, 3/4"-10 X 4 1/2" Y/D
-	SN3215	2	FLANGETTE BEARING, 1 3/4" BORE
-	SN5715	10	HARROW TOOTH, 3/8" DIA X 16" L
-	SN3976	2	LINK, OFFSET
-	SN3635	2	PIVOT BUSHING 2 1/2" L
-	SN3628	2	REEL CARRIER ARM PIVOT BUSHING
-	SN3895	10	SPIKE TOOTH, 3/4" X 11"
-	SN5732	2	SPRING, 1.40" OD X.82" ID X 16 1/4" L
-	SN3621	10	TOOTH CLIP, Y/D
-	SN10161	10	TOOTH, SPIKE 3/4" ROUND
-	SN3894	10	TRI-BEND BOLT, 3/8"-16 X
-	SN3619	2	U-BOLT, 1/2"-13 X 3 5/8" X 3" W, GR 5,
-	SN3306	2	U-BOLT, 5/8"-11 X 4 1/2" X 4 5/8"
-	SN7013	2	U-CLIP

NOTE: THIS PARTS STOCK LIST
INDICATES THOSE ITEMS RECOMMENDED
TO SERVICE ONE UNIT.

RDL

CULTIVATORS/PACKERS

PARTS CATALOG

SUNFLOWER[®]
5055 FIELD CULTIVATOR

RECOMMENDED DEALER LIST

RECOMMENDED DEALER STOCK 67

SERVICE PARTS

ADJUSTABLE TONGUE ASSEMBLY 11
 CENTER FRAME 7
 CENTER LIFT ARM ASSEMBLY 25
 CENTER LIFT ASSEMBLY 17
 DECAL PLACEMENT 63
 INNER WING FRAME 13
 LEVELER ASSEMBLY 29
 LIFT HYDRAULICS (CENTER & RIGHT WING) 39
 LIFT HYDRAULICS (LEFT WING) 41
 LIGHT KIT ASSEMBLY 57
 OPTIONAL REAR TOW HITCH ASSEMBLY W/HITCH SLIDE & BALL JOINT 59
 OPTIONAL REAR TOW HITCH HYDRAULICS 61
 OUTER WING FRAME 15
 REAR TONGUE ASSEMBLY 9
 S-TINE SHANK ASSEMBLY (2-PIECE) 37
 SAFETY SIGN PLACEMENT 65
 SPRING SHANK ASSEMBLY 35
 STROKE CONTROL ASSEMBLY 31
 SWIVEL TYPE GAUGE WHEEL 33
 WING LIFT ARM (INNER & OUTER WING) 27
 WING LIFT ASSEMBLY 19
 3 1/2" X 10" REPHASING CYLINDER (10816R) 47
 3 3/4" X 10" REPHASING CYLINDER (10815R) 49
 4" X 10" REPHASING CYLINDER (10814R) 51
 4" X 30" HYDRAULIC CYLINDER (10812R) 53
 4" X 36" HYDRAULIC CYLINDER (10811R) 55
 44', 48', & 50' FOLD HYDRAULICS 43
 54', 58', & 62' FOLD HYDRAULICS 45
 6 BOLT HUB & WHEEL ASSEMBLY 21
 8 BOLT HUB & WHEEL ASSEMBLY 23

5055 FIELD CULTIVATOR

3
INDEX

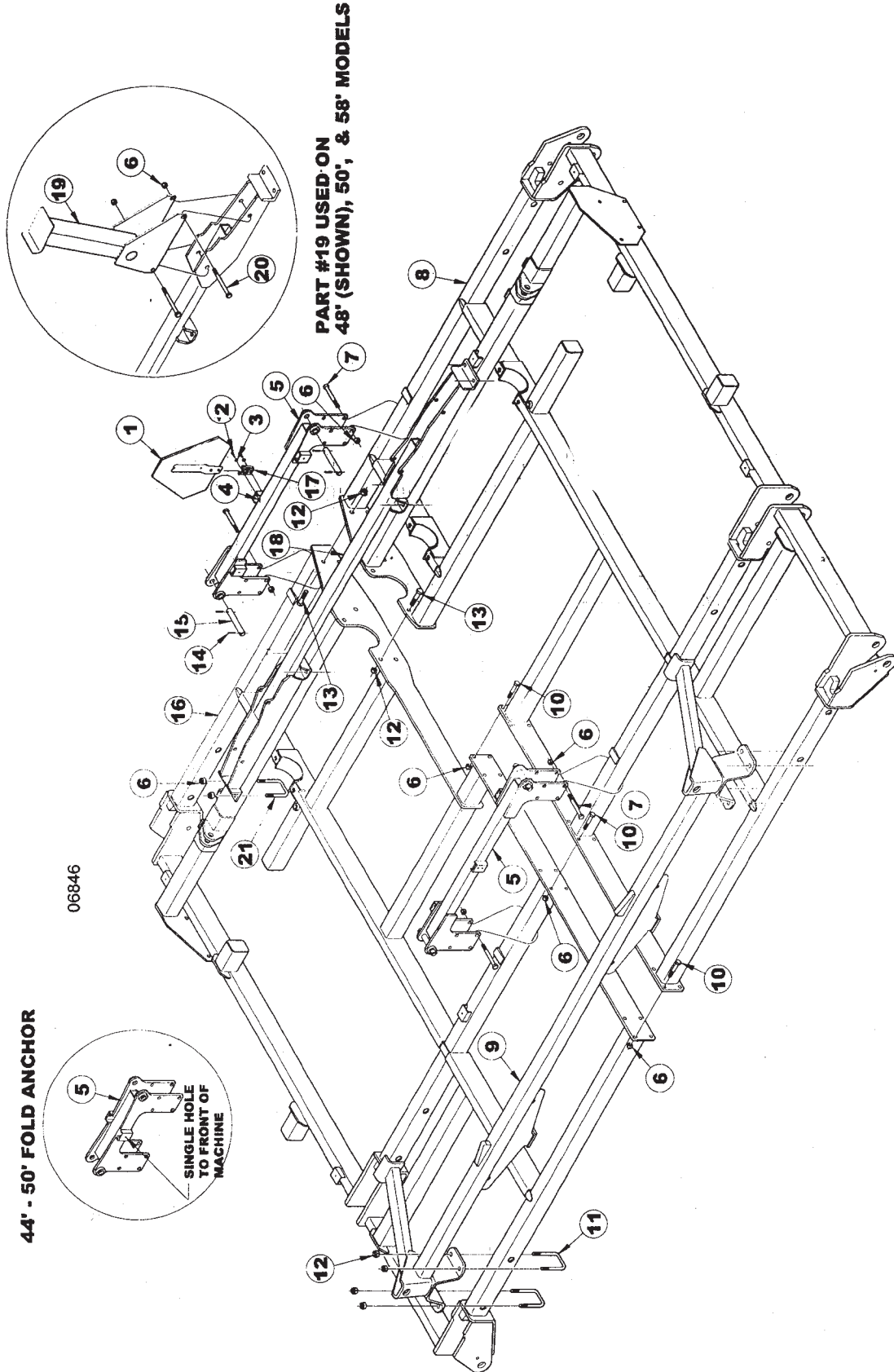
Part No.	Page	Grid	Part No.	Page	Grid	Part No.	Page	Grid	Part No.	Page	Grid
SNBT10116	59	1-B 11	SN10703	7	1-B 6	SN12254R	59	1-B 11	SN2073	45	1-B 10
SNBT10116	67	1-B 12	SN10703	59	1-B 11	SN12256	35	1-B 9	SN2079	27	1-B 8
SNDR10524	11	1-B 7	SN10703	67	1-B 12	SN12257	37	1-B 9	SN2079	29	1-B 8
SNFK150013	13	1-B 7	SN10734	7	1-B 6	SN12257	67	1-B 12	SN2085	25	1-B 8
SNFK150013	27	1-B 8	SN10735	7	1-B 6	SN12268	17	1-B 7	SN2089	9	1-B 6
SNFK150052	11	1-B 7	SN10736R	9	1-B 6	SN12375	37	1-B 9	SN2089	33	1-B 9
SNFK150052	29	1-B 8	SN10737R	7	1-B 6	SN1243	31	1-B 9	SN2090	7	1-B 6
SNFK150144	11	1-B 7	SN10738	61	1-B 12	SN12602R	59	1-B 11	SN2096	13	1-B 7
SNFK150157	11	1-B 7	SN10739	61	1-B 12	SN12603	59	1-B 11	SN2097	7	1-B 6
SNFK150173	13	1-B 7	SN10740	61	1-B 12	SN1282	33	1-B 9	SN2098-1	33	1-B 9
SNFK310062	23	1-B 8	SN10741	61	1-B 12	SN1283	33	1-B 9	SN2098-5	17	1-B 7
SNFK310062	67	1-B 12	SN10742	61	1-B 12	SN140	23	1-B 8	SN2098-6	21	1-B 8
SNFK310064	23	1-B 8	SN10750	29	1-B 8	SN140	31	1-B 9	SN2390	33	1-B 9
SNFK310064	67	1-B 12	SN10795R	57	1-B 11	SN155	25	1-B 8	SN2391	33	1-B 9
SNFK340162	23	1-B 8	SN10798R	13	1-B 7	SN155	27	1-B 8	SN2392	33	1-B 9
SNFK340162	67	1-B 12	SN10799R	13	1-B 7	SN155	33	1-B 9	SN2425	39	1-B 9
SNFK340163	23	1-B 8	SN108	33	1-B 9	SN156	35	1-B 9	SN2425	43	1-B 10
SNFK340165	23	1-B 8	SN10800R	15	1-B 7	SN1602	33	1-B 9	SN2425	45	1-B 10
SNFK340165	67	1-B 12	SN10801R	15	1-B 7	SN1602	67	1-B 12	SN2425	61	1-B 12
SNFK350402	11	1-B 7	SN10805R	17	1-B 7	SN1603	33	1-B 9	SN2429	39	1-B 9
SNFK800384	23	1-B 8	SN10811	43	1-B 10	SN1603	67	1-B 12	SN2429	43	1-B 10
SNHEN3410	7	1-B 6	SN10811	45	1-B 10	SN1604	33	1-B 9	SN2429	45	1-B 10
SNHEN3410	9	1-B 6	SN10812	43	1-B 10	SN1605	21	1-B 8	SN245	17	1-B 7
SNHEN3410	17	1-B 7	SN10812	45	1-B 10	SN1605	23	1-B 8	SN245	19	1-B 7
SN10007	57	1-B 11	SN10814	39	1-B 9	SN1605	33	1-B 9	SN2487	39	1-B 9
SN10007	67	1-B 12	SN10814	41	1-B 10	SN1605	67	1-B 12	SN2487	41	1-B 10
SN10012	57	1-B 11	SN10815	39	1-B 9	SN1606	21	1-B 8	SN2566	7	1-B 6
SN10034	33	1-B 9	SN10815	41	1-B 10	SN1606	23	1-B 8	SN2566	59	1-B 11
SN10394	57	1-B 11	SN10816	39	1-B 9	SN1606	33	1-B 9	SN2568	7	1-B 6
SN10394	67	1-B 12	SN10816	41	1-B 10	SN1606	67	1-B 12	SN2568	57	1-B 11
SN1040	59	1-B 11	SN10820	35	1-B 9	SN1609	11	1-B 7	SN2568	59	1-B 11
SN10460	57	1-B 11	SN10821R	13	1-B 7	SN1609	23	1-B 8	SN2569	23	1-B 8
SN10460	67	1-B 12	SN10822R	13	1-B 7	SN1609	33	1-B 9	SN2585	21	1-B 8
SN10461	57	1-B 11	SN10823R	15	1-B 7	SN1609	59	1-B 11	SN2585	33	1-B 9
SN10461	67	1-B 12	SN10824R	15	1-B 7	SN1610	21	1-B 8	SN2587	57	1-B 11
SN10486	57	1-B 11	SN10825	15	1-B 7	SN1610	23	1-B 8	SN2756	33	1-B 9
SN10486	67	1-B 12	SN10826	15	1-B 7	SN1610	33	1-B 9	SN2799	33	1-B 9
SN105	59	1-B 11	SN10827R	13	1-B 7	SN1610	67	1-B 12	SN2799	67	1-B 12
SN10541	25	1-B 8	SN10828R	13	1-B 7	SN1611	33	1-B 9	SN2801	33	1-B 9
SN10573	7	1-B 6	SN10829R	15	1-B 7	SN1611	67	1-B 12	SN2991	17	1-B 7
SN10579	35	1-B 9	SN10830R	15	1-B 7	SN1611-1	33	1-B 9	SN2991	19	1-B 7
SN10582	7	1-B 6	SN10831R	15	1-B 7	SN1611-1	67	1-B 12	SN2992	17	1-B 7
SN10588	11	1-B 7	SN10832R	15	1-B 7	SN1672	59	1-B 11	SN2992	19	1-B 7
SN10589R	9	1-B 6	SN10833R	7	1-B 6	SN1676	17	1-B 7	SN302	21	1-B 8
SN10595	11	1-B 7	SN10834R	7	1-B 6	SN1723	15	1-B 7	SN302	23	1-B 8
SN10597	29	1-B 8	SN10835R	7	1-B 6	SN175	39	1-B 9	SN302	33	1-B 9
SN10599	19	1-B 7	SN10842	7	1-B 6	SN175	41	1-B 10	SN302	35	1-B 9
SN106	59	1-B 11	SN10843R	27	1-B 8	SN176	39	1-B 9	SN302	37	1-B 9
SN10600R	17	1-B 7	SN10844	27	1-B 8	SN176	41	1-B 10	SN303	21	1-B 8
SN10601R	17	1-B 7	SN10845R	13	1-B 7	SN176	43	1-B 10	SN303	23	1-B 8
SN10603	35	1-B 9	SN10846R	13	1-B 7	SN176	45	1-B 10	SN303	33	1-B 9
SN10604	35	1-B 9	SN10847R	13	1-B 7	SN176	57	1-B 11	SN303	35	1-B 9
SN10605	29	1-B 8	SN10849R	7	1-B 6	SN176	61	1-B 12	SN303	37	1-B 9
SN10609R	33	1-B 9	SN10850R	15	1-B 7	SN177	39	1-B 9	SN3041	35	1-B 9
SN10615	17	1-B 7	SN10851R	15	1-B 7	SN177	41	1-B 10	SN3042	35	1-B 9
SN10615	19	1-B 7	SN10855	15	1-B 7	SN177	57	1-B 11	SN3043	35	1-B 9
SN10616R	19	1-B 7	SN10855	67	1-B 12	SN178	57	1-B 11	SN3044B	35	1-B 9
SN10629	27	1-B 8	SN109	15	1-B 7	SN1791	9	1-B 6	SN3044B	67	1-B 12
SN10631	31	1-B 9	SN110	33	1-B 9	SN1799	33	1-B 9	SN3046	35	1-B 9
SN10633R	31	1-B 9	SN12098	25	1-B 8	SN1817	31	1-B 9	SN3046	37	1-B 9
SN10635	19	1-B 7	SN12099R	39	1-B 9	SN1849	29	1-B 8	SN3046	67	1-B 12
SN10636	7	1-B 6	SN12099R	41	1-B 10	SN1935	21	1-B 8	SN305	35	1-B 9
SN10636	67	1-B 12	SN12125R	15	1-B 7	SN1935	23	1-B 8	SN305	37	1-B 9
SN10639R	13	1-B 7	SN12126	15	1-B 7	SN1935	67	1-B 12	SN3050	35	1-B 9
SN10641	11	1-B 7	SN12127R	7	1-B 6	SN1936	21	1-B 8	SN3050	37	1-B 9
SN10650R	57	1-B 11	SN12128R	43	1-B 10	SN1936	67	1-B 12	SN3058	21	1-B 8
SN10651R	57	1-B 11	SN12136	25	1-B 8	SN1937	21	1-B 8	SN3061	17	1-B 7
SN10652R	57	1-B 11	SN12137R	17	1-B 7	SN194	13	1-B 7	SN3061	19	1-B 7
SN10664	27	1-B 8	SN12138R	25	1-B 8	SN194	61	1-B 12	SN3061	67	1-B 12
SN10674R	17	1-B 7	SN12184R	15	1-B 7	SN1944	21	1-B 8	SN3062	17	1-B 7
SN10675R	17	1-B 7	SN12185R	13	1-B 7	SN1978	33	1-B 9	SN3062	19	1-B 7
SN10676R	19	1-B 7	SN12186	31	1-B 9	SN198	59	1-B 11	SN3062	67	1-B 12
SN10679	13	1-B 7	SN1220	7	1-B 6	SN198	67	1-B 12	SN3063	17	1-B 7
SN10682R	7	1-B 6	SN12231	35	1-B 9	SN2036	33	1-B 9	SN3063	19	1-B 7
SN10683R	17	1-B 7	SN12231	67	1-B 12	SN2073	43	1-B 10	SN3063	67	1-B 12

INDEX

Part No.	Page	Grid	Part No.	Page	Grid	Part No.	Page	Grid	Part No.	Page	Grid
SN3065	17	1-B 7	SN3938	25	1-B 8	SN4476	43	1-B 10	SN6930	31	1-B 9
SN3065	35	1-B 9	SN3938	27	1-B 8	SN4476	45	1-B 10	SN6934	43	1-B 10
SN3066	17	1-B 7	SN3938	43	1-B 10	SN4480002	61	1-B 12	SN7001	7	1-B 6
SN3066	19	1-B 7	SN3938	45	1-B 10	SN4482	43	1-B 10	SN7001	59	1-B 11
SN3066	21	1-B 8	SN3949	35	1-B 9	SN4482	45	1-B 10	SN7001	67	1-B 12
SN3066	23	1-B 8	SN3984	17	1-B 7	SN4732	31	1-B 9	SN71L-2901	13	1-B 7
SN3117	21	1-B 8	SN3984	39	1-B 9	SN4739	59	1-B 11	SN7453	37	1-B 9
SN3117	23	1-B 8	SN3984	41	1-B 10	SN474	39	1-B 9	SN7453	67	1-B 12
SN3117	67	1-B 12	SN3984	43	1-B 10	SN474	41	1-B 10	SN7528B	37	1-B 9
SN3118	21	1-B 8	SN3984	45	1-B 10	SN474	43	1-B 10	SN7530	37	1-B 9
SN3118	23	1-B 8	SN3984	61	1-B 12	SN474	45	1-B 10	SN7569	17	1-B 7
SN3118	67	1-B 12	SN4014002	43	1-B 10	SN4740	59	1-B 11	SN7744	13	1-B 7
SN3164	7	1-B 6	SN4024002	45	1-B 10	SN4781	11	1-B 7	SN7785R	17	1-B 7
SN3164	13	1-B 7	SN4028002	45	1-B 10	SN486	13	1-B 7	SN779	31	1-B 9
SN3164	15	1-B 7	SN4048002	43	1-B 10	SN486	31	1-B 9	SN7849	33	1-B 9
SN3164	39	1-B 9	SN4054002	43	1-B 10	SN4944	31	1-B 9	SN7851	33	1-B 9
SN3164	41	1-B 10	SN4060002	45	1-B 10	SN4989	11	1-B 7	SN7853	33	1-B 9
SN3164	43	1-B 10	SN4062002	41	1-B 10	SN505	43	1-B 10	SN7854	33	1-B 9
SN3164	45	1-B 10	SN4070002	43	1-B 10	SN506	7	1-B 6	SN7856	33	1-B 9
SN3253	39	1-B 9	SN4087002	45	1-B 10	SN506	43	1-B 10	SN7858	11	1-B 7
SN3253	43	1-B 10	SN4102002	43	1-B 10	SN506	57	1-B 11	SN7910	43	1-B 10
SN3253	45	1-B 10	SN4106002	45	1-B 10	SN506	59	1-B 11	SN7910	45	1-B 10
SN3253	61	1-B 12	SN4126002	43	1-B 10	SN5137	31	1-B 9	SN8273-1	53	1-B 11
SN329	37	1-B 9	SN4126002	45	1-B 10	SN5251	13	1-B 7	SN8273-1	55	1-B 11
SN3299	21	1-B 8	SN4130002	45	1-B 10	SN5251	15	1-B 7	SN8602-1	53	1-B 11
SN3300	21	1-B 8	SN4150002	45	1-B 10	SN5252	7	1-B 6	SN8610-1	47	1-B 10
SN3300	67	1-B 12	SN4153002	43	1-B 10	SN5252	43	1-B 10	SN8610-1	49	1-B 10
SN3301	21	1-B 8	SN4177002	43	1-B 10	SN5252	45	1-B 10	SN8610-1	51	1-B 11
SN3301	23	1-B 8	SN4181002	39	1-B 9	SN5302	39	1-B 9	SN8612-1	53	1-B 11
SN3301	67	1-B 12	SN4181002	41	1-B 10	SN5302	41	1-B 10	SN8612-1	55	1-B 11
SN3302	21	1-B 8	SN4191002	39	1-B 9	SN5302	43	1-B 10	SN8612-1	67	1-B 12
SN3302	23	1-B 8	SN4191002	41	1-B 10	SN5302	45	1-B 10	SN8616-1	53	1-B 11
SN3302	33	1-B 9	SN4205002	39	1-B 9	SN5302	61	1-B 12	SN8616-1	55	1-B 11
SN3302	67	1-B 12	SN4205002	41	1-B 10	SN5339	39	1-B 9	SN8631-1	47	1-B 10
SN3303	21	1-B 8	SN4215002	39	1-B 9	SN5339	41	1-B 10	SN8631-1	49	1-B 10
SN3303	23	1-B 8	SN4215002	41	1-B 10	SN5339	43	1-B 10	SN8631-1	51	1-B 11
SN3303	33	1-B 9	SN4234002	43	1-B 10	SN5339	45	1-B 10	SN8631-1	53	1-B 11
SN3303	67	1-B 12	SN4239002	39	1-B 9	SN5552	23	1-B 8	SN8631-1	55	1-B 11
SN3309	33	1-B 9	SN4239002	41	1-B 10	SN5555	23	1-B 8	SN8636-1	31	1-B 9
SN3363	59	1-B 11	SN4240002	45	1-B 10	SN5578	23	1-B 8	SN8653-1	51	1-B 11
SN3364	59	1-B 11	SN4290002	39	1-B 9	SN5579	23	1-B 8	SN8654-1	49	1-B 10
SN3365	59	1-B 11	SN4290002	41	1-B 10	SN5603	23	1-B 8	SN8654-1	51	1-B 11
SN3365	67	1-B 12	SN4303002	39	1-B 9	SN5612	13	1-B 7	SN8655-1	49	1-B 10
SN3366	59	1-B 11	SN4314002	39	1-B 9	SN5612	67	1-B 12	SN8656-10	49	1-B 10
SN3366	67	1-B 12	SN4314002	41	1-B 10	SN5621	23	1-B 8	SN8657-10	47	1-B 10
SN3367	59	1-B 11	SN4327002	39	1-B 9	SN5711	35	1-B 9	SN8658-1	47	1-B 10
SN3567	17	1-B 7	SN4350002	39	1-B 9	SN5810	35	1-B 9	SN8659-1	47	1-B 10
SN3567	39	1-B 9	SN4350002	41	1-B 10	SN5810	59	1-B 11	SN8660-1	47	1-B 10
SN3567	41	1-B 10	SN4367002	39	1-B 9	SN5815	43	1-B 10	SN8670-10	51	1-B 11
SN3577	21	1-B 8	SN4367002	41	1-B 10	SN5831	33	1-B 9	SN8670-10	53	1-B 11
SN3577	23	1-B 8	SN4374002	39	1-B 9	SN5941	13	1-B 7	SN8670-10	55	1-B 11
SN3580	21	1-B 8	SN4374002	41	1-B 10	SN5941	15	1-B 7	SN8671-1	47	1-B 10
SN3619	31	1-B 9	SN4398002	39	1-B 9	SN5941	67	1-B 12	SN8671-1	49	1-B 10
SN3619	67	1-B 12	SN4398002	41	1-B 10	SN6298	33	1-B 9	SN8671-1	51	1-B 11
SN3683	23	1-B 8	SN4403002	39	1-B 9	SN6378	31	1-B 9	SN8671-1	53	1-B 11
SN3683	67	1-B 12	SN4403002	41	1-B 10	SN6378	43	1-B 10	SN8671-1	55	1-B 11
SN3684	23	1-B 8	SN4454	39	1-B 9	SN6380	45	1-B 10	SN8682-1	53	1-B 11
SN3684	67	1-B 12	SN4454	41	1-B 10	SN6529	43	1-B 10	SN8682-1	55	1-B 11
SN3685	23	1-B 8	SN4454	43	1-B 10	SN6529	45	1-B 10	SN8683-1	47	1-B 10
SN3686	23	1-B 8	SN4454	45	1-B 10	SN6575	11	1-B 7	SN8683-1	49	1-B 10
SN3686	67	1-B 12	SN4455	43	1-B 10	SN6642	35	1-B 9	SN8683-1	51	1-B 11
SN3687	23	1-B 8	SN4455	45	1-B 10	SN669-1	7	1-B 6	SN8683-1	53	1-B 11
SN3688Y	23	1-B 8	SN4458	47	1-B 10	SN669-1	9	1-B 6	SN8683-1	55	1-B 11
SN3735	59	1-B 11	SN4458	49	1-B 10	SN669-1	13	1-B 7	SN8684-1	55	1-B 11
SN3750	9	1-B 6	SN4458	51	1-B 11	SN669-1	15	1-B 7	SN8736-10	49	1-B 10
SN3757	35	1-B 9	SN4458	53	1-B 11	SN669-1	17	1-B 7	SN8739-10	51	1-B 11
SN3765	9	1-B 6	SN4458	55	1-B 11	SN669-1	19	1-B 7	SN8775-1	47	1-B 10
SN3790	35	1-B 9	SN4463	43	1-B 10	SN669-1	33	1-B 9	SN8775-1	67	1-B 12
SN3881	7	1-B 6	SN4463	45	1-B 10	SN669-1	35	1-B 9	SN8776-1	49	1-B 10
SN3881	43	1-B 10	SN4465	45	1-B 10	SN669-1	37	1-B 9	SN8776-1	67	1-B 12
SN3881	57	1-B 11	SN4473	43	1-B 10	SN669-1	59	1-B 11	SN8781-1	51	1-B 11
SN3881	59	1-B 11	SN4473	45	1-B 10	SN670	7	1-B 6	SN8781-1	67	1-B 12
SN3938	11	1-B 7	SN4474	43	1-B 10	SN670	15	1-B 7	SN8826-1	51	1-B 11
SN3938	13	1-B 7	SN4475	43	1-B 10	SN670	19	1-B 7	SN8828-1	49	1-B 10
SN3938	15	1-B 7	SN4475	45	1-B 10	SN6806	37	1-B 9	SN8837-1	53	1-B 11

5055 FIELD CULTIVATOR
SERVICE PARTS

CENTER FRAME



**5055 FIELD CULTIVATOR
SERVICE PARTS**

7

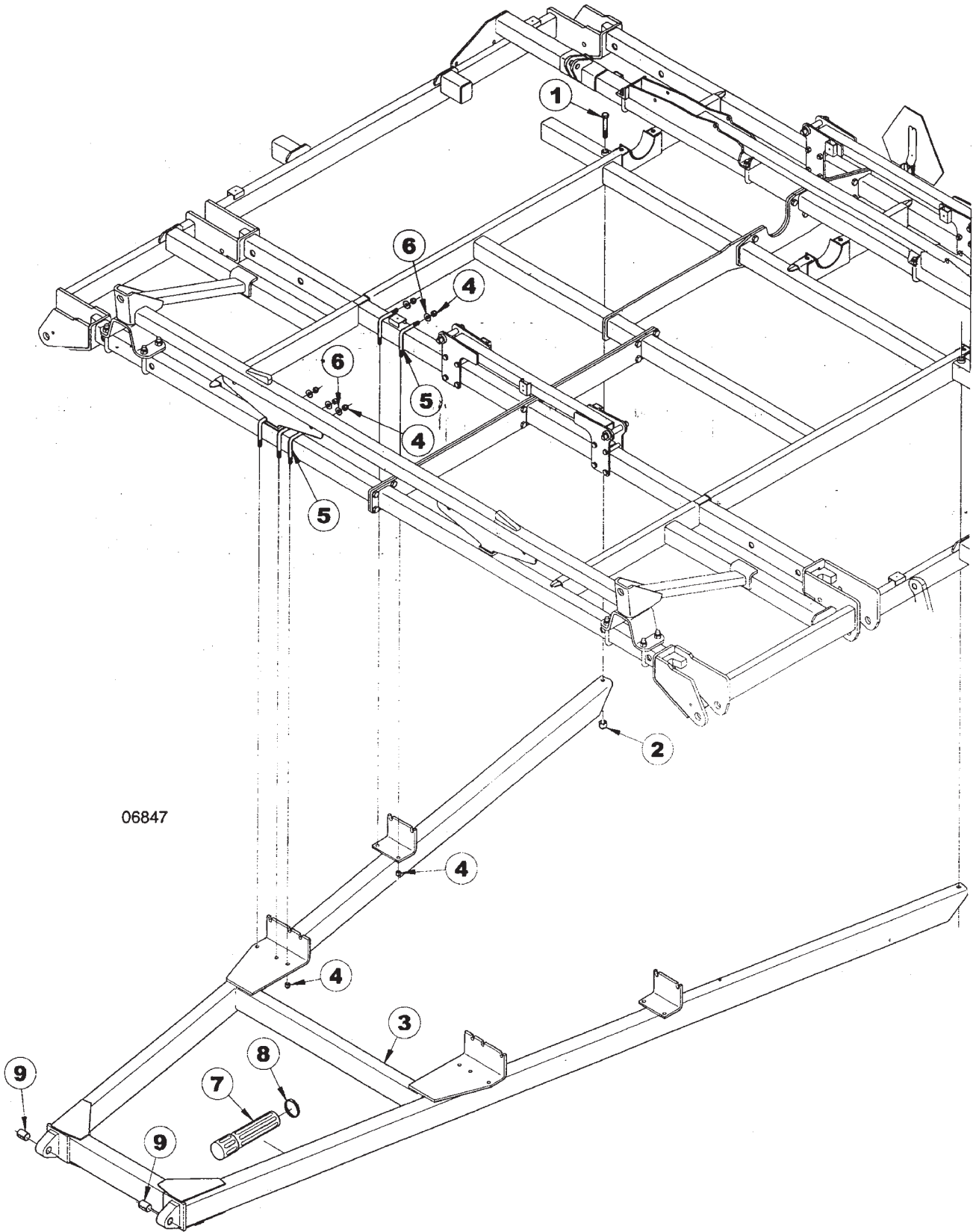
CENTER FRAME

ITEM	NUMBER	QTY	DESCRIPTION
1	SN7001		SMV EMBLEM
2	SN2568		HEX BOLT, 1/4"-20 X 3/4", GR 5 Y/D
3	SN506		FLAT WASHER, 1/4", Y/D
4	SN3881		LOCK NUT, 1/4"-20 HEX NYLON INSERT, GR 2, Y/D
5	SN10682R		ANCHOR, FOLD (54'-62') SHOWN
	SN10737R		ANCHOR, FOLD (44'-50')
6	SN669-1		LOCK NUT, 5/8" HEX NYLON
7	SN2090		HEX BOLT, 5/8"-11 X 5", GR 5 Y/D
8	SN10582		FRAME, CENTER LEFT (54'-62') SHOWN
	SN10735		FRAME, CENTER LEFT (44'-50')
9	SN10833R		TRUSS, 14' CENTER, FRONT (54'-62') SHOWN
	SN10835R		TRUSS, 12' CENTER, FRONT (44'-50')
10	SN670		HEX BOLT, 5/8"-11 X 2", GR 5, Y/D
11	SN10636		U-BOLT, 3/4"-10 X 5 7/8" X 3 13/16"W Y/D
12	SNHEN3410		LOCK NUT, 3/4" HEX NYLON INSERT, Y/D, Y/D
13	SN1220		HEX BOLT, 3/4"-10 X 2", GR 5 Y/D
14	SN3164		ROLL PIN, 5/16" X 2" SPIRAL MEDIUM DUTY, Y/D
15	SN5252		PIN, 1" X 6 9/16" (5 1/4") Y/D
16	SN10573		FRAME, CENTER RIGHT (54'-62') SHOWN
	SN10734		FRAME, CENTER RIGHT (44'-50')
17	SN2566		S.M.V. SOCKET
18	SN10842		TRUSS, 12' CENTER, REAR (44'-50')
	SN10834R		TRUSS, 14' CENTER, REAR (54'-62') SHOWN
19	SN12127R		STABILIZER, FOLD (48' & 50')
	SN10849R		STABILIZER, FOLD (58')
20	SN2097		HEX BOLT, 5/8"-11 X 5 1/2", GR 5, Y/D
21	SN10703		U-BOLT, 5/8"-11 X 4 3/4" X 4 3/16" W, GR 5, Y/D

I0006846

5055 FIELD CULTIVATOR
SERVICE PARTS

REARTONGUE ASSEMBLY



06847

**5055 FIELD CULTIVATOR
SERVICE PARTS**

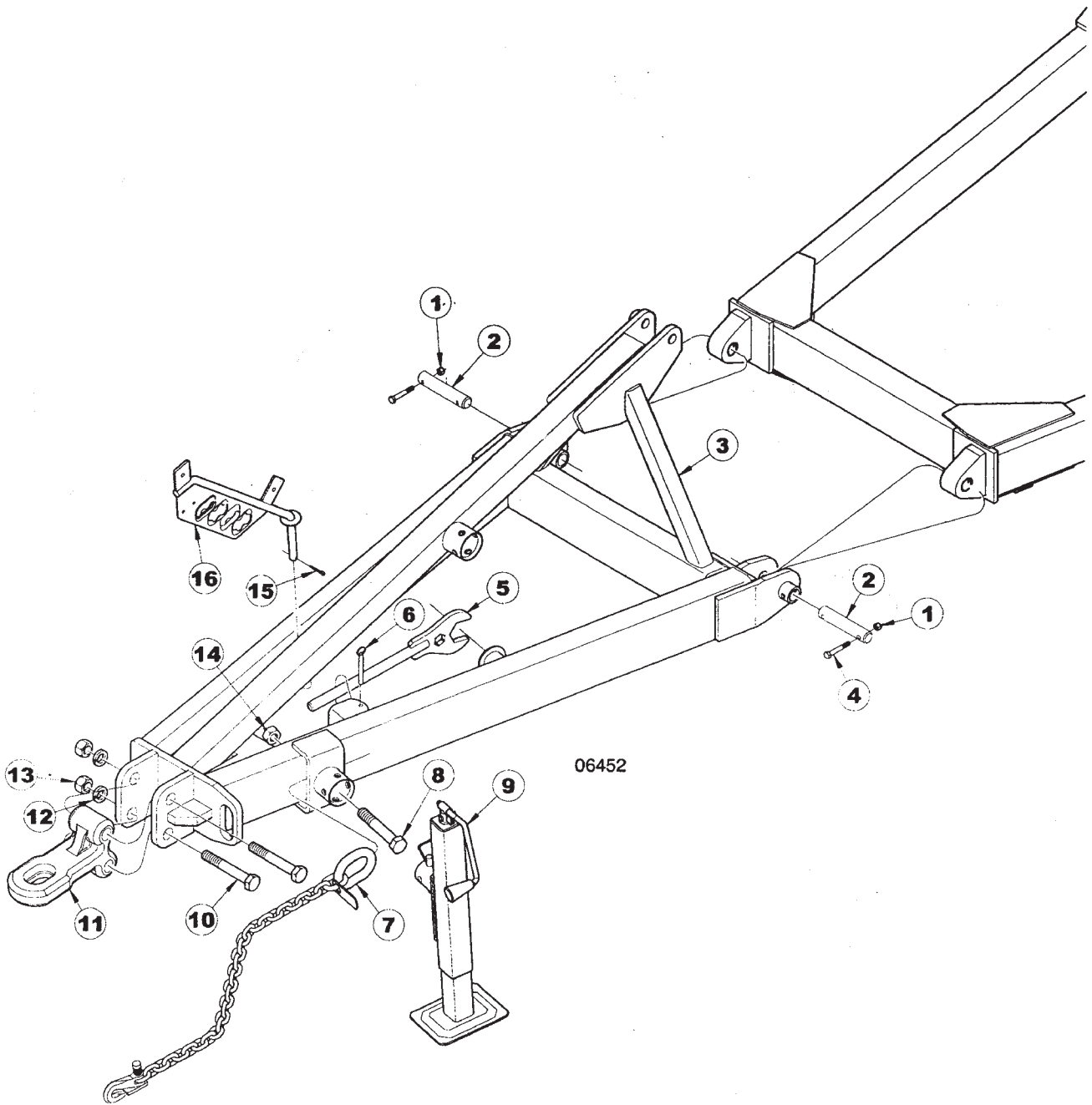
9

REARTONGUE ASSEMBLY

ITEM	NUMBER	QTY	DESCRIPTION
1	SN1791		HEX BOLT, 3/4"-10 X 6 1/2", GR 5, Y/D
2	SNHEN3410		LOCK NUT, 3/4" HEX NYLON INSERT, Y/D, Y/D
3	SN10736R		TONGUE, REAR (44'-50')
	SN10589R		TONGUE, REAR (54'-62')
4	SN669-1		LOCK NUT, 5/8" HEX NYLON
5	SN9017		L-BOLT, 5/8"-11 X 4 1/2" X 5 1/2", Y/D
6	SN2089		FLAT WASHER, 5/8", Y/D
7	SN3750		OPERATOR'S MANUAL TUBE
8	SN3765		HOSE CLAMP, 3 1/2"

I0006847

ADJUSTABLE TONGUE ASSEMBLY



5055 FIELD CULTIVATOR
SERVICE PARTS

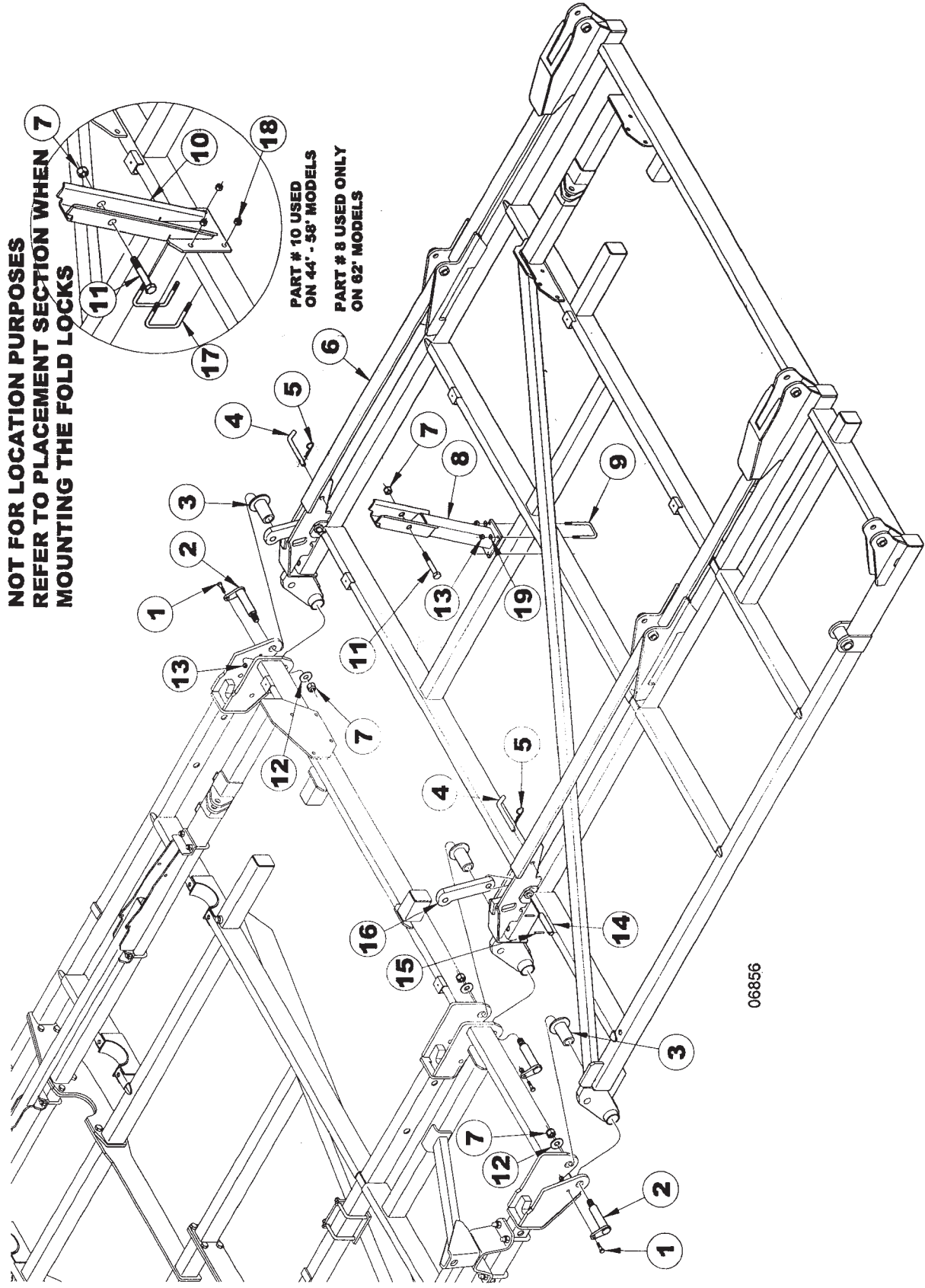
11

ADJUSTABLE TONGUE ASSEMBLY

ITEM	NUMBER	QTY	DESCRIPTION
1	SNDR10524		LOCK NUT, 7/16"-14 HEX NYLON INSERT,Y/D
2	SN4989		PIN, 1 1/4" X 6 3/8" (4 7/16") Y/D
3	SN10588		TONGUE, FRONT
4	SN10641		HEX BOLT, 7/16"-14 X 2 1/2" GR 5,Y/D
5	SN10595		WRENCH, COMBINATION, Y/D
6	SN6575		BALL LOCK PIN, 3/8" X 3 1/2"(3 1/8")Z/P
7	SN7858		CHAIN, 3/8" X 59" (20,200 LB) ASSEMBLY
8	SNFK150052		HEX BOLT, 1"-8 X 6" GR 5, Y/D
9	SN9777		LONG TONGUE JACK, SQ W/TUBE MOUNT
10	SNFK350402		HEX BOLT, 1 1/4"-7 X 7" GR 5 (SPECIAL)
11	SN4781		CAST SINGLE LIP HITCH, 2" HOLE
12	SNFK150157		LOCK WASHER, 1 1/4", Y/D
13	SNFK150144		HEX NUT, 1 1/4"-7, GR 2, Y/D
14	SN3938		LOCK NUT, 1"-8 HEX NYLON
15	SN1609		COTTER PIN, 3/16" X 1 1/2"
16	SN9985		ROD, HOSE HOLDER

I0006452

INNER WING FRAME



**5055 FIELD CULTIVATOR
SERVICE PARTS**

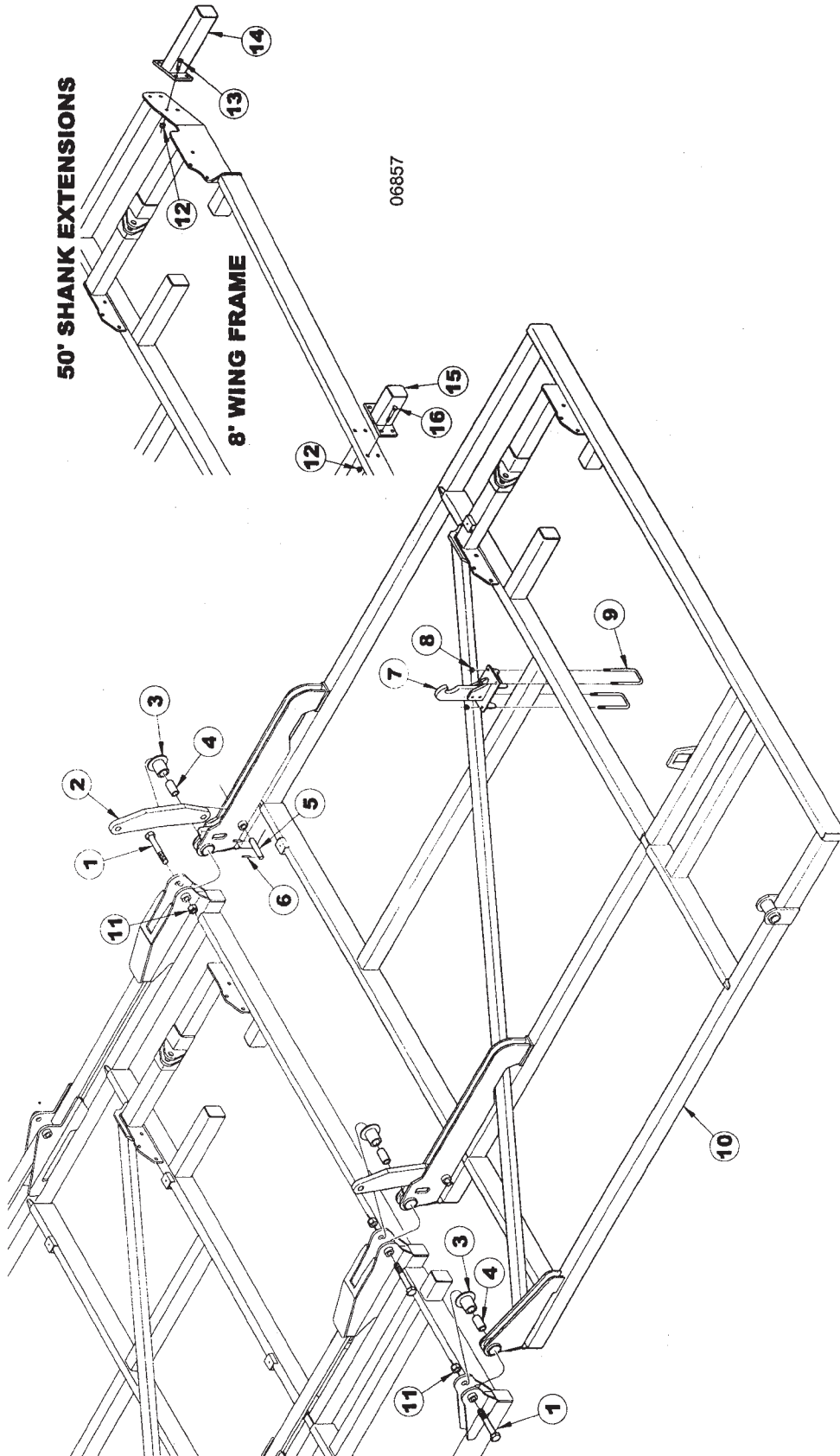
13

INNER WING FRAME

ITEM	NUMBER QTY	DESCRIPTION
1	SN194	HEX BOLT, 1/2"-13 X 1 1/2", GR 5, Y/D, USA
2	SN10679	HINGE BOLT, 1 1/2" SHAFT 1"-8 X 8" (5 11/16"), Y/D
3	SN9251	BUSHING, UHMW HINGE, 4 3/8" L
4	SN7744	PIN, 3/4" SPCL, Y/D
5	SN71L-2901	PIN CLIP, 3/4"-7/8" SHAFT, .148" DIA, 3 1/8" L
6	SN10821R	FRAME, 8' WING, RIGHT INNER (44')
	SN10822R	FRAME, 8' WING, LEFT INNER (44')
	SN10827R	FRAME, 10' WING, RIGHT INNER (48'-54')
	SN10828R	FRAME, 10' WING, LEFT INNER (48'-54')
	SN10798R	FRAME, 12' WING, RIGHT INNER (58'-62')
	SN10799R	FRAME, 12' WING, LEFT INNER (58'-62')
7	SN3938	LOCK NUT, 1"-8 HEX NYLON
8	SN10845R	LOCK, FOLD (62')
9	SN5941	U-BOLT, 1/2"-13 X 5 1/2" X 3 9/16" W, GR 5, Y/D
10	SN12185R	LOCK, FOLD (44')
	SN10847R	LOCK, FOLD (54')
	SN10846R	LOCK, FOLD (48', 50', & 58')
11	SNFK150013	HEX BOLT, 1"-8 X 5" GR 5, Y/D
12	SNFK150173	FLAT WASHER, 1" SAE, Y/D
13	SN2096	LOCK NUT, 1/2"-13 HEX NYLON INSERT
14	SN5251	PIN, 1" X 5 13/16" (4 1/2"), Y/D
15	SN3164	ROLL PIN, 5/16" X 2" SPIRAL MEDIUM DUTY, Y/D
16	SN10639R	LINK, FOLD
17	SN5612	U-BOLT, 5/8"-11 X 3 1/2" X 5 11/16" W, GR 5, Y/D
18	SN669-1	LOCK NUT, 5/8" HEX NYLON
19	SN486	FLAT WASHER, 1/2", Y/D

I0006856

OUTER WING FRAME



**5055 FIELD CULTIVATOR
SERVICE PARTS**

15

OUTER WING FRAME

ITEM	NUMBER	QTY	DESCRIPTION
1	SN109		HEX BOLT, 1"-8 X 7", GR 5, Y/D
2	SN12184R		LINK, FOLD (44')
	SN10831R		LINK, FOLD (54' & 62')
	SN10832R		LINK, FOLD (48' & 58')
3	SN10825		BUSHING, UHMW HINGE, 2 7/8" L
4	SN10826		BUSHING, LOOSE (2 15/16" L), Y/D
5	SN5251		PIN, 1" X 5 13/16" (4 1/2"), Y/D
6	SN3164		ROLL PIN, 5/16" X 2" SPIRAL MEDIUM DUTY, Y/D
7	SN10851R		LOCK, FOLD (44'-58')
	SN10850R		LOCK, FOLD (62')
8	SN2096		LOCK NUT, 1/2"-13 HEX NYLON INSERT
9	SN5941		U-BOLT, 1/2"-13 X 5 1/2" X 3 9/16" W, GR 5, Y/D (44'-58')
	SN10855		U-BOLT, 1/2" X 6 3/4" X 3 9/16" W, Y/D (62')
10	SN10823R		FRAME, 8' WING, RIGHT OUTER (44'-48')
	SN10824R		FRAME, 8' WING, LEFT OUTER (44'-48')
	SN10829R		FRAME, 10' WING, RIGHT OUTER (54'-58')
	SN10830R		FRAME, 10' WING, LEFT OUTER (54'-58')
	SN10800R		FRAME, 12' WING, RIGHT OUTER (62')
	SN10801R		FRAME, 12' WING, LEFT OUTER (62')
11	SN3938		LOCK NUT, 1"-8 HEX NYLON INSERT, GR2, Y/D
12	SN669-1		LOCK NUT, 5/8" HEX NYLON INSERT
13	SN670		HEX BOLT, 5/8"-11 X 2", GR 5, Y/D
14	SN12126		EXTENSION, REAR BOLT ON
15	SN12125R		EXTENSION, FRONT BOLT ON
16	SN1723		HEX BOLT, 5/8"-11 X 3 1/2", GR 5, Y/D

I0006857

**5055 FIELD CULTIVATOR
SERVICE PARTS**

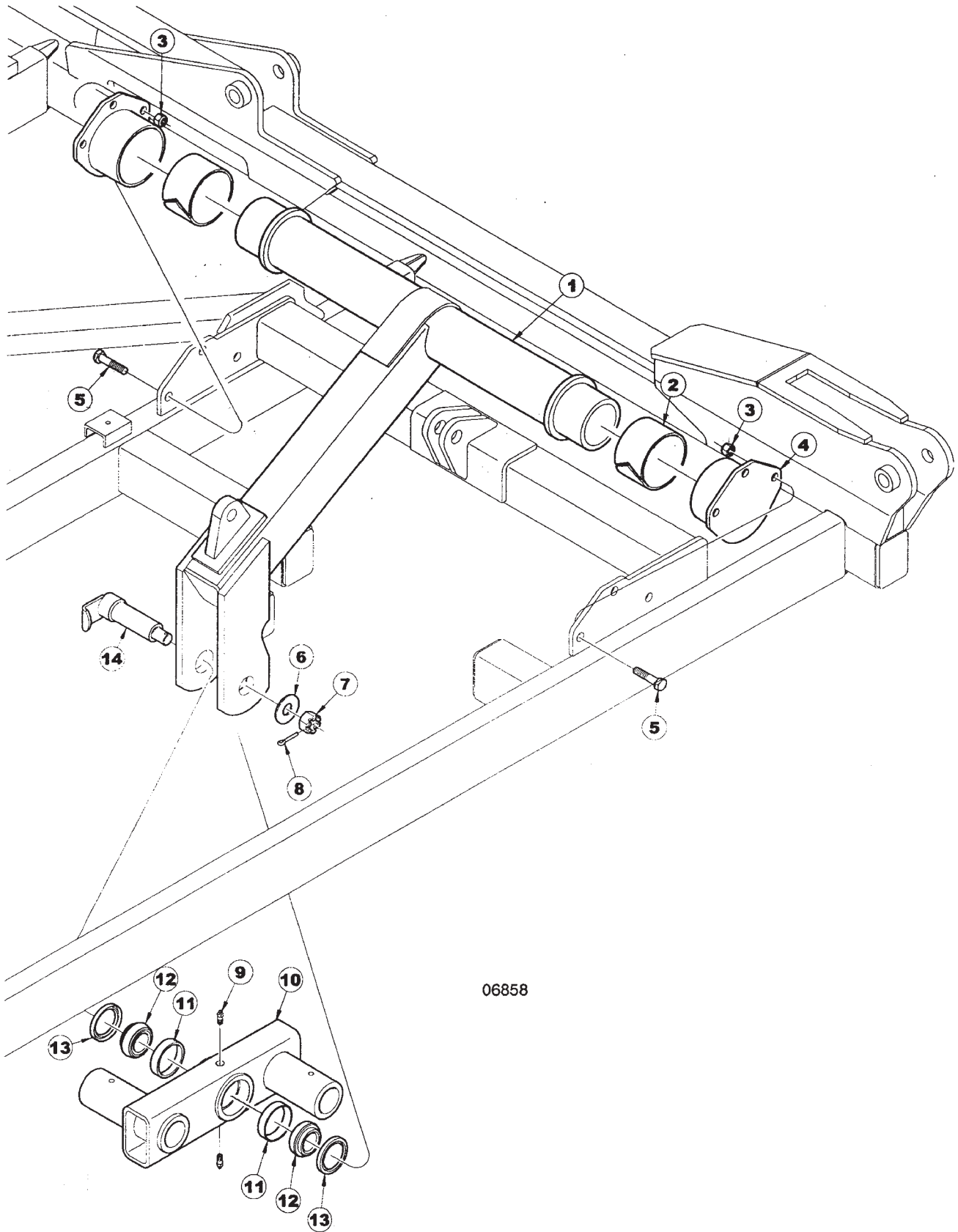
17

CENTER LIFT ASSEMBLY

ITEM	NUMBER	QTY	DESCRIPTION
1	SN1676		HEX BOLT, 3/4"-10 X 7", GR 5 Y/D
2	SN10683R		BEARING, CAP
3	SN7569		BEARING, LIFT (SPLIT) 3" WIDE
4	SN3567		LOCK NUT, 3/8"-16 HEX NYLON INSERT, GR 2, Y/D
5	SN7785R		TRANSPORT LOCK
6	SN12137R		STRIKER, VALVE
7	SN3984		HEX BOLT, 3/8"-16 X 1 1/4",GR 5, Y/D
8	SN10674R		BEARING, CAP
9	SN669-1		LOCK NUT, 5/8" HEX NYLON
10	SN3065		HEX BOLT, 5/8"-11 X 4", GR 5, Y/D
11	SN2991		SPINDLE, TANDEM AXLE
12	SN3063		WALKING BEAM SEAL (NAT.204035 C/R 22870)
13	SN3061		WALKING BEAM BEARING (342A)
14	SN3062		WALKING BEAM RACE (332)
15	SN2098-5		GREASE ZERK, 1/8" NPTF, 1 1/4" L
16	SN10805R		TANDEM PIVOT, 2 3/4" SPINDLE
	SN10615		TANDEM PIVOT, 2 1/4" SPINDLE
17	SN3066		COTTER PIN, 7/32" X 1 1/2"
18	SN2992		HEX NUT,1"-14 FULL SLOTTED GR 2, Y/D
19	SN245		FLAT WASHER, 1" WIDE RIM, Y/D
20	SNHEN3410		LOCK NUT, 3/4" HEX NYLON INSERT, Y/D, Y/D
21	SN10675R		BEARING, CAP
22	SN10600R		LIFT, MAIN 14' CENTER (54'-62')
	SN10601R		LIFT, MAIN 12' CENTER (44'-50')
23	SN12268		PIN, WIRE LOCK 3/8" X 2 1/2", Y/D

I0006848

WING LIFT ASSEMBLY



06858

5055 FIELD CULTIVATOR
SERVICE PARTS

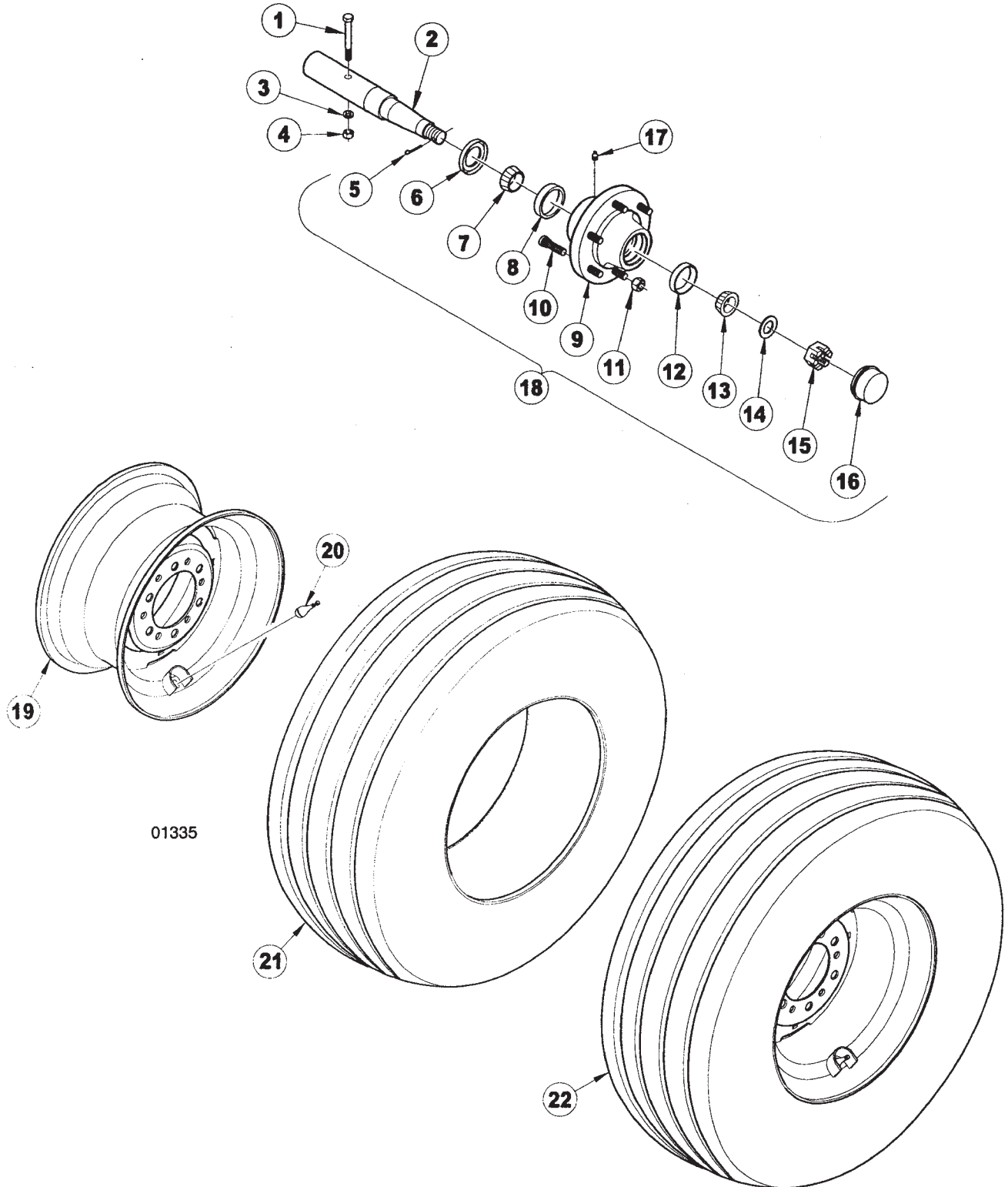
19

WING LIFT ASSEMBLY

ITEM	NUMBER	QTY	DESCRIPTION
1	SN10599		LIFT, WING
2	SN10635		BEARING, LIFT (SPLIT) 3" WIDE
3	SN669-1		LOCK NUT, 5/8" HEX NYLON INSERT, GR 5, Y/D
4	SN10676R		BEARING, CAP
5	SN670		HEX BOLT, 5/8"-11 X 2", GR 5, Y/D
6	SN245		FLAT WASHER, 1" WIDE RIM, Y/D
7	SN2992		HEX NUT, 1"-14 FULL SLOTTED GR 2, Y/D
8	SN3066		COTTER PIN, 7/32" X 1 1/2"
9	SN2098-5		GREASE ZERK, 1/8" NPTF, 1 1/4" L
10	SN10615		TANDEM PIVOT, 2 1/4" SPINDLE
	SN10616R		TANDEM PIVOT, 2" SPINDLE
11	SN3062		WALKING BEAM RACE (332)
12	SN3061		WALKING BEAM BEARING (342A)
13	SN3063		WALKING BEAM SEAL (NAT.204035 C/R 22870)
14	SN2991		SPINDLE, TANDEM AXLE

I0006858

6 BOLT HUB & WHEEL ASSEMBLY



01335

**5055 FIELD CULTIVATOR
SERVICE PARTS**

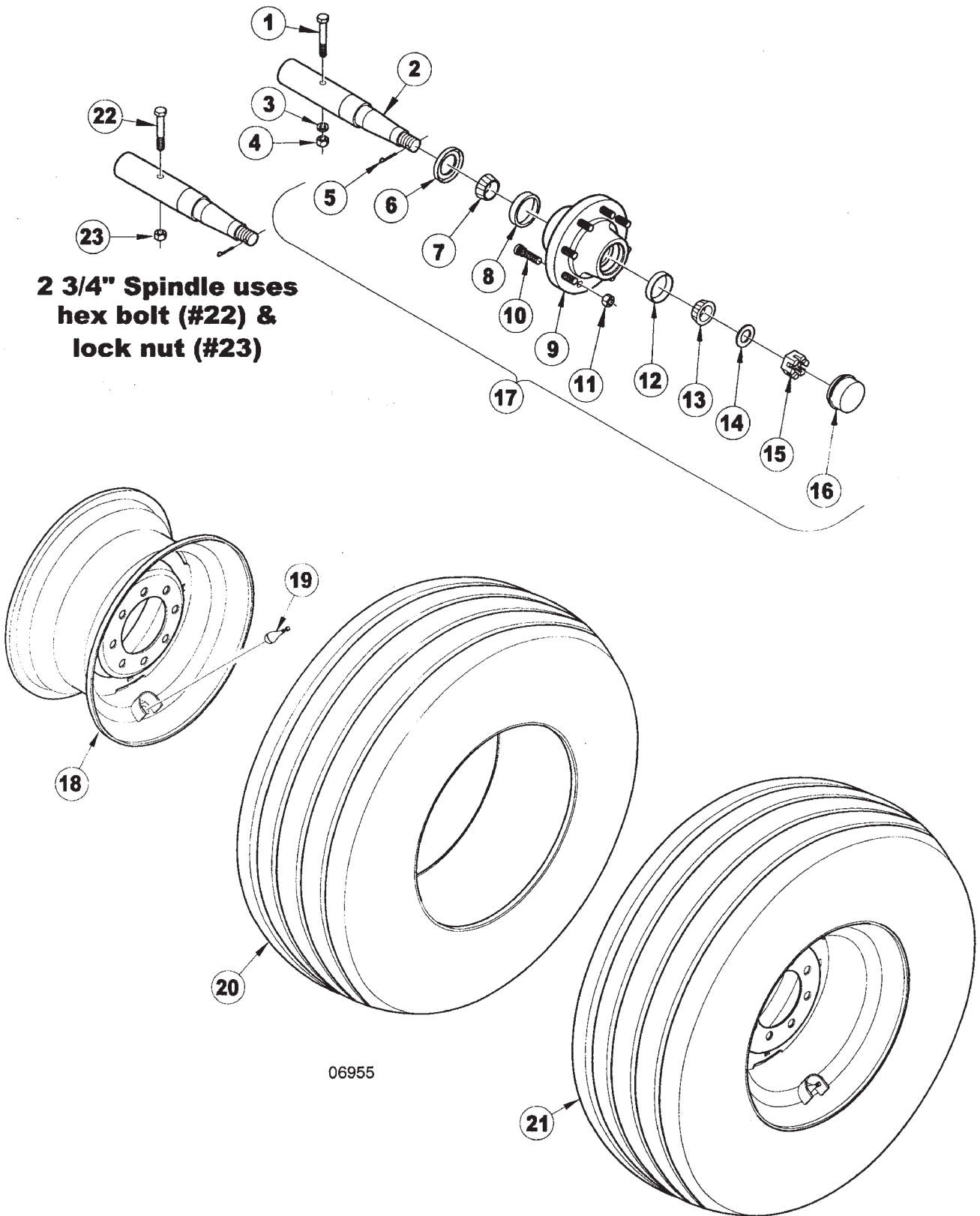
21

6 BOLT HUB & WHEEL ASSEMBLY

ITEM	NUMBER	QTY	DESCRIPTION
1	SN2585		HEX BOLT, 7/16"-14 X 3 1/2", GR 5, Y/D
2	SN3299		SPINDLE, 2" X 13 3/16"
3	SN302		LOCKWASHER, 7/16" SPLIT TYPE MED, Y/D
4	SN303		HEX NUT, 7/16"-14 FULL, GR 2, Y/D
5	SN3066		COTTER PIN, 7/32" X 1 1/2"
6	SN3301		TRIPLE LIP SEAL
7	SN1935		BEARING (LM501349)
8	SN1936		RACE (LM501310)
9	SN1937		SIX BOLT HUB, STUDDED W/CUPS AND LUG NUTS, PAINTED
10	SN3118		LUG BOLT, 9/16"-18 X 1 7/8" PRESS IN, PL
11	SN3117		LUG NUT, 9/16"-18, GR 5, 90 DEG TAPER, Y/D
12	SN1605		RACE (LM67010)
13	SN1606		BEARING (LM67048)
14	SN3303		WASHER, 1 1/32" ID X 1 3/4" ODX 1/8" THICK, PLAIN
15	SN3302		HEX NUT, 1"-14 FULL SLOTTED GR 2, PLAIN
16	SN1610		DUST CAP, 2.448" OD, Y/D
17	SN2098-6		GREASE ZERK, 1/4"-28, 17/32" L, STRAIGHT W/TAPER THREADS
18	SN3300		SIX BOLT HUB ASSEMBLY W/3301 SEAL
19	SN1944		WHEEL, 15 X 10, 6 BOLT
20	SN3577		VALVE STEM
21	SN3580		TIRE, 11L X 15, 8 PLY TUBELESS
22	SN3058		TIRE, 11L 8 PLY TUBELESS W/15 X 10 WHEEL ASSY 6 BOLT

I0001335

8 BOLT HUB & WHEEL ASSEMBLY



**2 3/4" Spindle uses
hex bolt (#22) &
lock nut (#23)**

06955

**5055 FIELD CULTIVATOR
SERVICE PARTS**

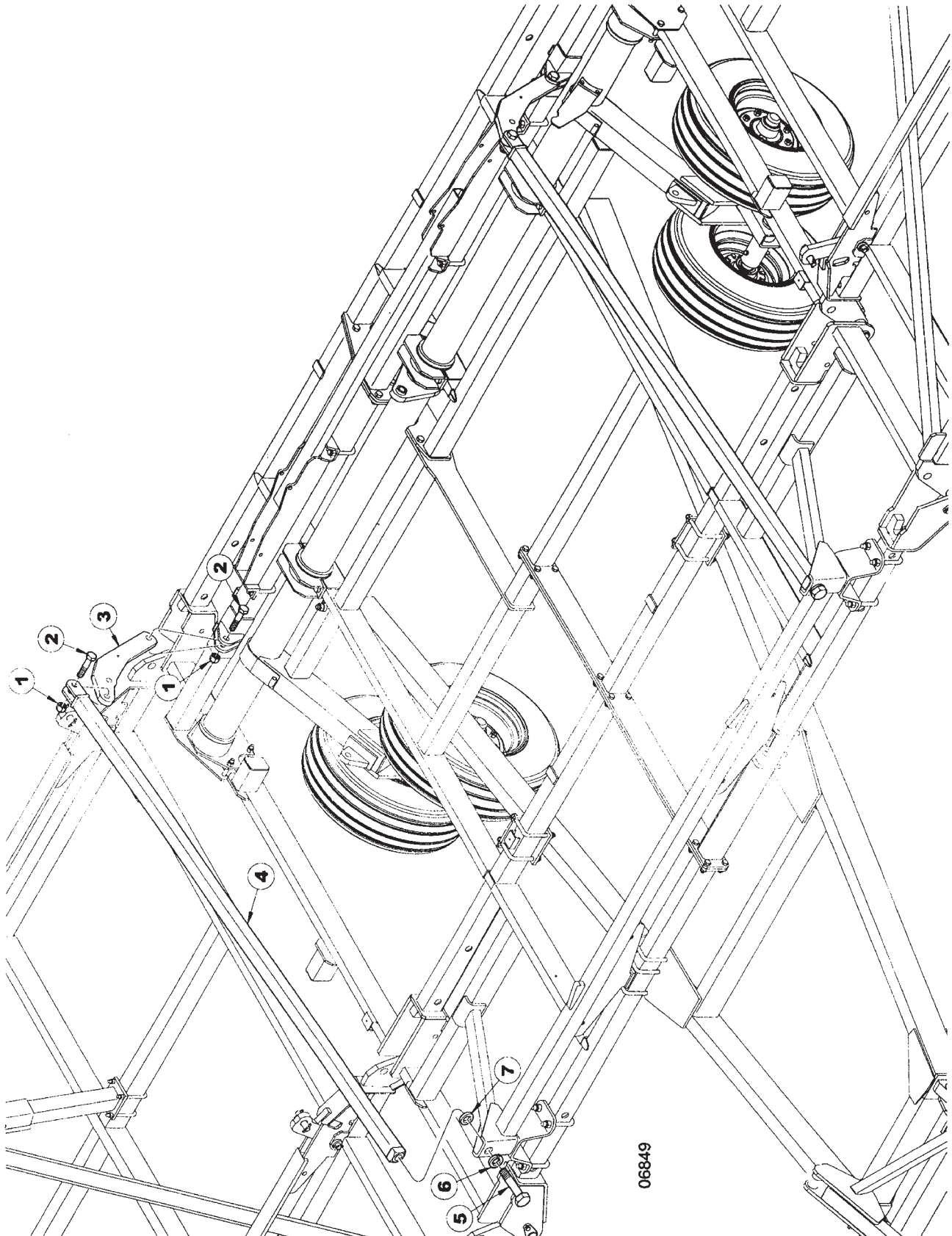
23

8 BOLT HUB & WHEEL ASSEMBLY

ITEM	NUMBER QTY	DESCRIPTION
1	SN2569	HEX BOLT, 7/16"-14 X 4", GR 5 Y/D (2 1/4" SPINDLE)
2	SN3687	SPINDLE, 2 1/4" X 14"
	SN5621	SPINDLE, 2 3/4" X 15 5/16"L
3	SN302	LOCKWASHER, 7/16" SPLIT TYPE MED, Y/D
4	SN303	HEX NUT, 7/16"-14 FULL, GR 2, Y/D
5	SN3066	COTTER PIN, 7/32" X 1 1/2" (2 1/4" SPINDLE)
	SN1609	COTTER PIN, 3/16" X 1 1/2" (2 3/4" SPINDLE)
6	SN3301	TRIPLE LIP SEAL (2 1/4" SPINDLE)
	SNFK310064	SEAL, 8-BOLT (2 3/4" SPINDLE)
7	SN3683	BEARING(LM603049) (2 1/4" SPINDLE)
	SN1935	BEARING (LM501349) (2 3/4" SPINDLE)
8	SN3684	RACE (LM603011)
9	SN3685	EIGHT BOLT HUB, STUDDERED (2 1/4" SPINDLE)
	SNFK340163	EIGHT BOLT HUB, STUDDERED (2 3/4" SPINDLE)
10	SN3118	LUG BOLT, 9/16"-18 X 1 7/8" PRESS IN, PL
11	SN3117	LUG NUT, 9/16"-18, GR 5, 90 DEG TAPER, Y/D
12	SN1605	RACE (LM67010)
13	SN1606	BEARING (LM67048) (2 1/4" SPINDLE)
	SNFK310062	BEARING (JLM506849) (2 3/4" SPINDLE)
14	SN3303	WASHER, 1 1/32" ID X 1 3/4" ODX 1/8" THICK, PLAIN (2 1/4" SPINDLE)
	SNFK340165	WASHER, 1 1/16" ID X 2 1/8" OD X 1/4" THICK, PLAIN (2 3/4" SPINDLE)
15	SN3302	HEX NUT, 1"-14 FULL SLOTTED GR 2, PLAIN
16	SN1610	DUST CAP, 2.448" OD, Y/D(2 1/4" SPINDLE)
	SNFK340162	DUST CAP, 3.125" OD, Y/D(2 3/4" SPINDLE)
17	SN3686	8 BOLT HUB ASSEMBLY (2 1/4" SPINDLE)
	SNFK800384	EIGHT BOLT HUB ASSY. (2 3/4" SPINDLE)
18	SN3688Y	WHEEL, 15 X 10, 8 BOLT
	SN5603	WHEEL, 15 X 10, 8 BOLT, 3/8" OFFSET
19	SN3577	VALVE STEM
20	SN9266	TIRE, 11L X 15, (GY-FI-F)
	SN5578	TIRE, 12.5L X 15, (GY-FI-F)
21	SN5552	TIRE, 11L (GY-FI-F) W/15X10 WH ASSY 8 BT
	SN5579	TIRE, 12.5L (GY-FI-F) W/15X10 WH ASSY 8 BT
	SN5555	TIRE, 12.5L (GY-FI-F) W/15X10 WHASSY 8 BT
22	SN140	HEX BOLT, 1/2"-13 X 4 1/2", GR 5, Y/D (2 3/4" SPINDLE)
23	SN2096	LOCK NUT, 1/2"-13 HEX NYLON INSERT (2 3/4" SPINDLE)

I0006955

CENTER LIFT ARM ASSEMBLY



06849

**5055 FIELD CULTIVATOR
SERVICE PARTS**

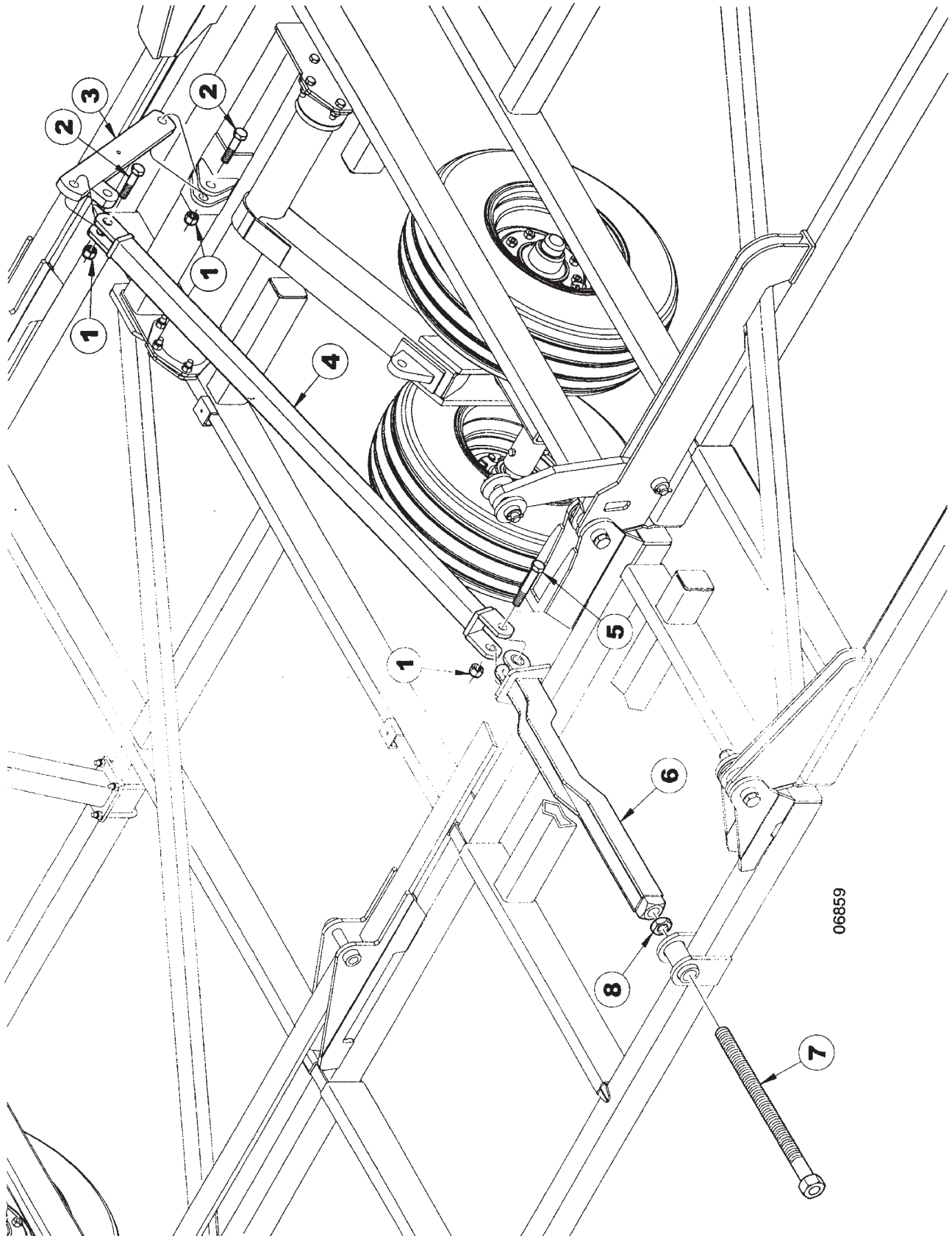
25

CENTER LIFT ARM ASSEMBLY

ITEM	NUMBER	QTY	DESCRIPTION
1	SN3938		LOCK NUT, 1"-8 HEX NYLON
2	SN155		HEX BOLT, 1"-8 X 3 1/2", GR 5 Y/D
3	SN12138R		LINK, LIFT
4	SN12136		LINK, DEPTH CONTROL
5	SN10541		HEX BOLT, 1 1/2"-6 X 3 1/2", GR 5, Y/D
6	SN2085		LOCK WASHER, 1 1/2" SPLIT TYPE MED, Y/D
7	SN12098		SPACER TUBE, 1/2" L, Y/D (USED WITH 12.5L TIRES ONLY)

I0006849

WING LIFT ARM (INNER & OUTER WING)



06859

5055 FIELD CULTIVATOR
SERVICE PARTS

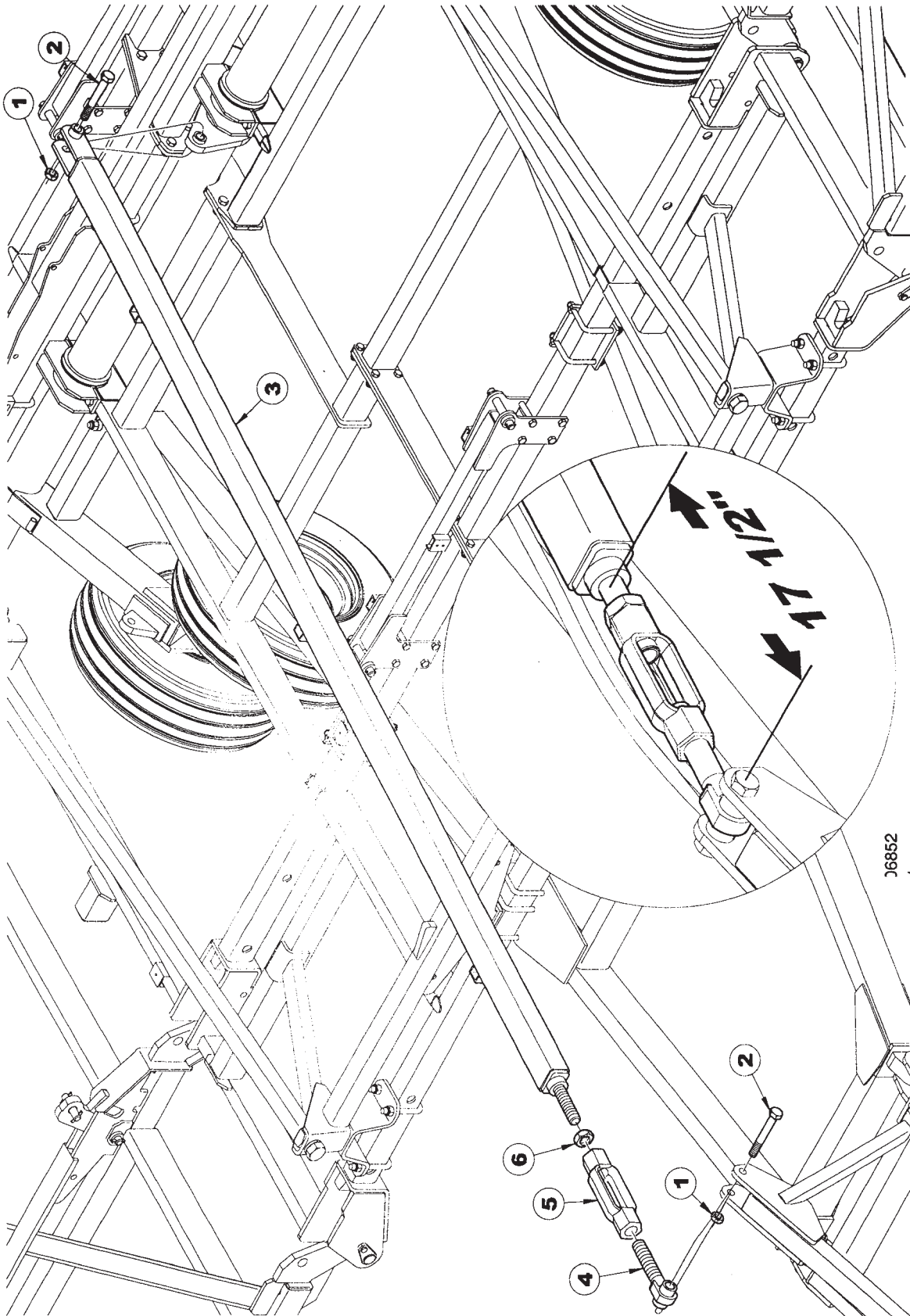
27

WING LIFT ARM (INNER & OUTER WING)

ITEM	NUMBER	QTY	DESCRIPTION
1	SN3938		LOCK NUT, 1"-8 HEX NYLON
2	SN155		HEX BOLT, 1"-8 X 3 1/2", GR 5 Y/D
3	SN10629		LINK, LIFT
4	SN10843R		LINK, LIFT
5	SNFK150013		HEX BOLT, 1"-8 X 5" GR 5, Y/D
6	SN10844		ARM, LIFT
7	SN10664		BOLT, ADJUSTING, Y/D
8	SN2079		JAM NUT, 1 1/2"-6 HEX, GR 2, Y/D

I0006859

LEVELER ASSEMBLY



36852

**5055 FIELD CULTIVATOR
SERVICE PARTS**

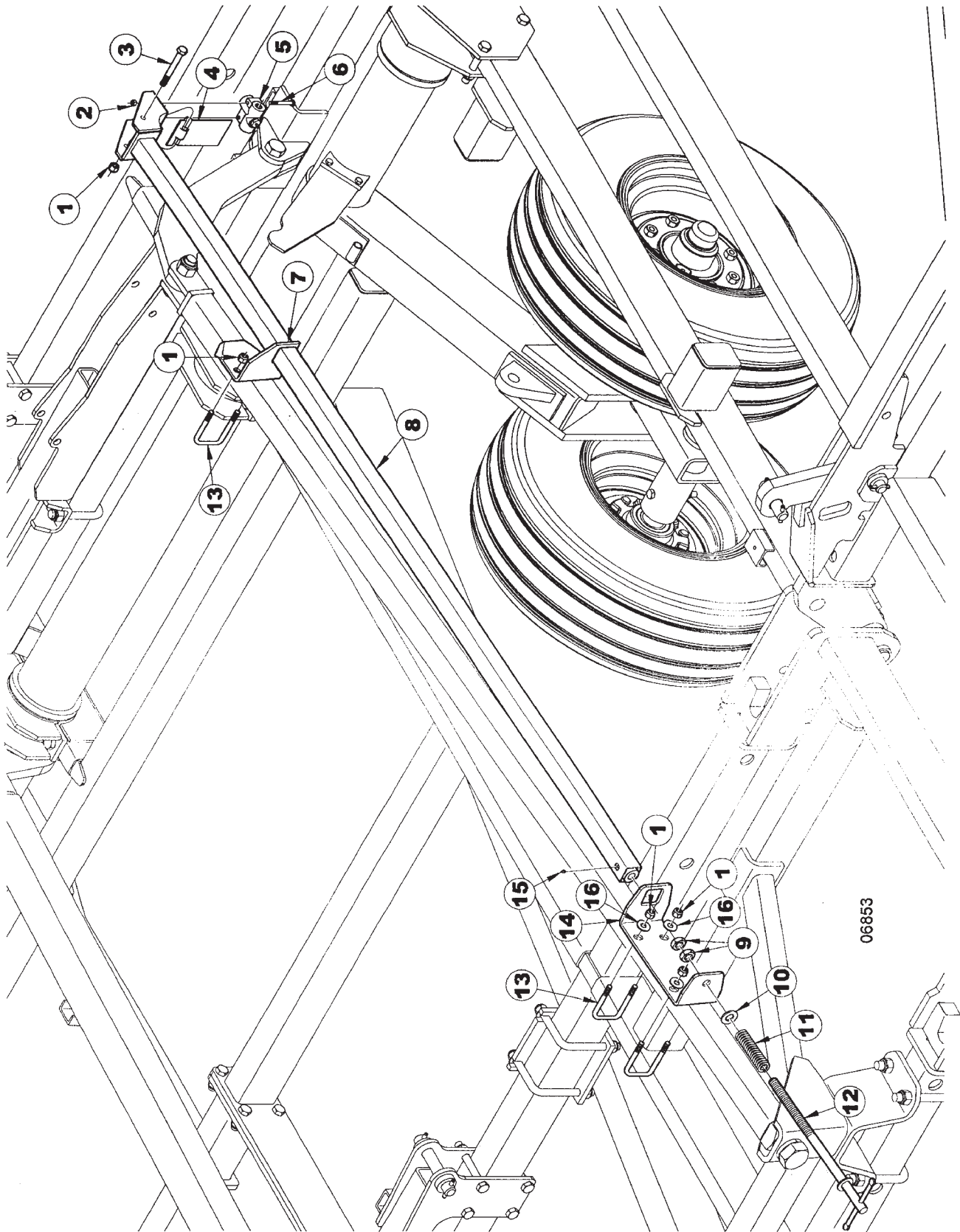
29

LEVELER ASSEMBLY

ITEM	NUMBER	QTY	DESCRIPTION
1	SN1849		JAM NUT, 1"-8 HEX, GR 2, Y/D
2	SNFK150052		HEX BOLT, 1"-8 X 6" GR 5, Y/D
3	SN10597		TUBE, SELF LEVELER (54'-62')
	SN10750		TUBE, SELF LEVELER (44'-50')
4	SN10605		TURNBUCKLE END, LH, Y/D
5	SN9597		1 1/2" X 6" TURNBUCKLE BODY W/RH&LH THREADS
6	SN2079		JAM NUT, 1 1/2"-6 HEX, GR 2, Y/D

I0006852

STROKE CONTROL ASSEMBLY



5055 FIELD CULTIVATOR
SERVICE PARTS

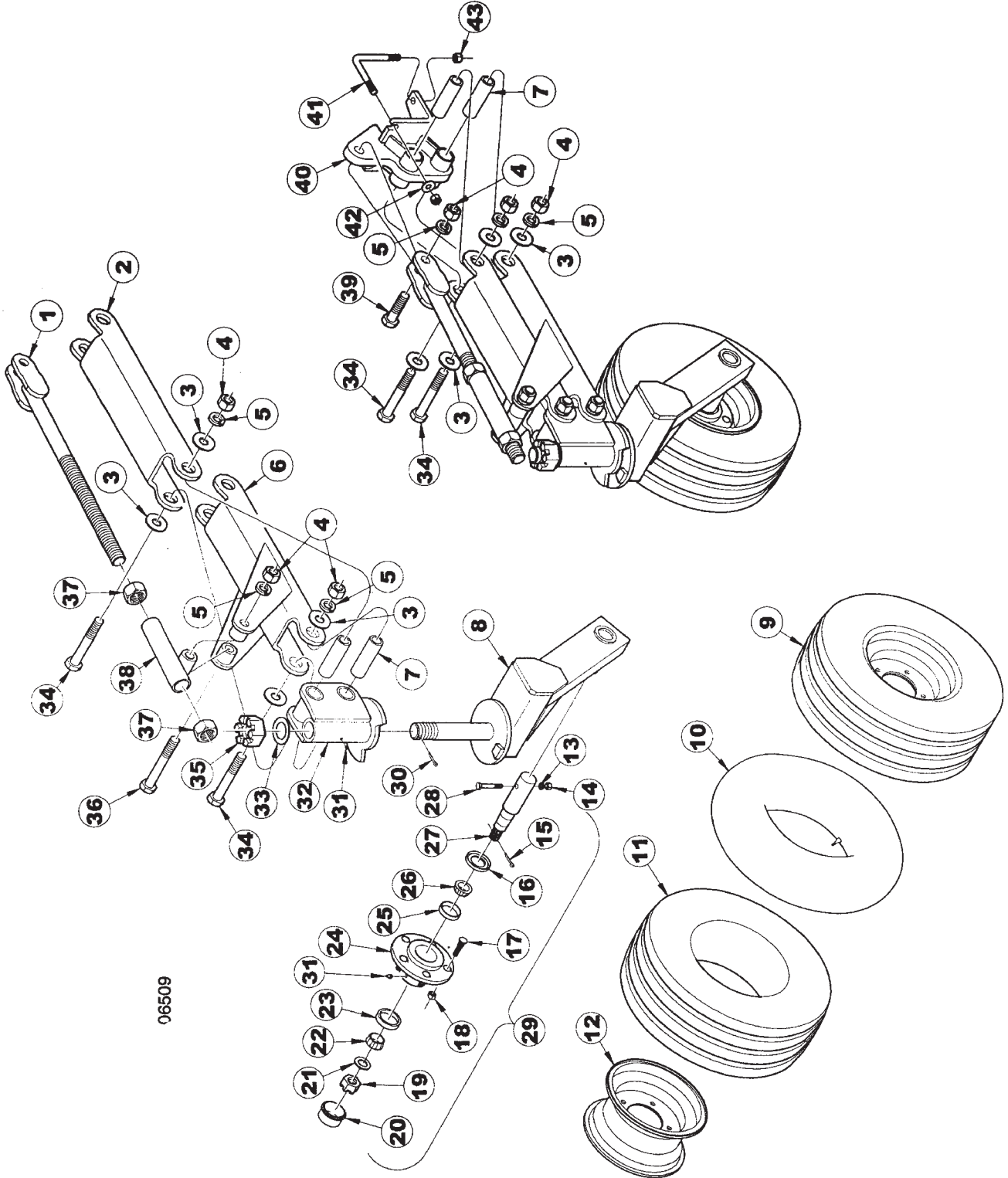
31

STROKE CONTROL ASSEMBLY

ITEM	NUMBER	QTY	DESCRIPTION
1	SN2096		LOCK NUT, 1/2"-13 HEX NYLON INSERT
2	SN6378		LOCK NUT, 5/16" HEX NYLON
3	SN140		HEX BOLT, 1/2"-13 X 4 1/2", GR 5, Y/D
4	SN6930		STOP TAB
5	SN4732		DEPTH CONTROL VALVE
6	SN1817		HEX BOLT, 5/16"-18 X 2 1/2", GR 5, Y/D
7	SN10633R		BRACKET, MOUNTING
8	SN10631		STOP, ADJUSTABLE STROKE CONTROL
9	SN1243		JAM NUT, 3/4"-10 HEX, GR 2, Y/D
10	SN779		WASHER, 25/32" ID X 1 1/2" OD, 10 GA, PL
11	SN4944		SPRING, 1.10" OD, .135 DIA, 3 1/2" L.
12	SN5137		THREADED REMOTE ADJUSTMENT, Y/D
13	SN3619		U-BOLT, 1/2"-13 X 3 5/8" X 3" W, GR 5, Y/D
14	SN12186		BRACKET, MOUNTING
15	SN2098-6		GREASE ZERK, 1/4"-28, 17/32" L, STRAIGHT W/TAPER THREADS
16	SN486		FLAT WASHER, 1/2", Y/D
17	SN8636-1		CARTRIDGE ASSY, CROSS

I0006853

SWIVEL TYPE GAUGE WHEEL



065509

**5055 FIELD CULTIVATOR
SERVICE PARTS**

33

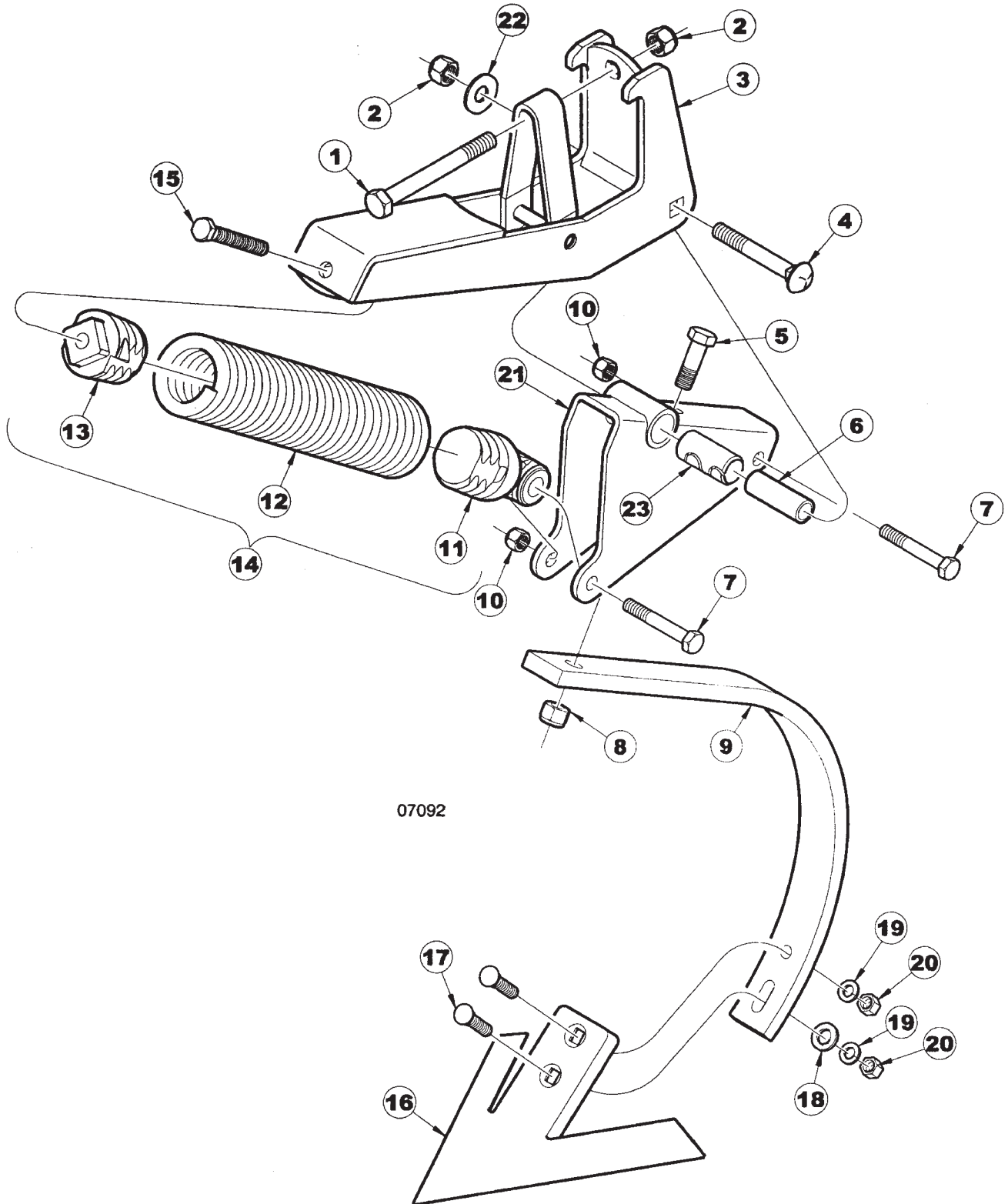
SWIVEL TYPE GAUGE WHEEL

ITEM	NUMBER	QTY	DESCRIPTION
1	SN7849		CONNECTING LINK SCREW
2	SN7853		UPPER LINK
3	SN10034		WASHER, 2.125" OD X 1.062" ID, .250", Y/D
4	SN110		HEX NUT, 1"-8 FULL, GR 5, Y/D
5	SN1283		LOCK WASHER, 1" SPLIT TYPE MED, Y/D
6	SN7854		LOWER LINK
7	SN7851		BUSHING, 1 1/2" OD X 1.030" ID, 4 13/16" L
8	SN5831		AXLE, HEAVY DUTY GAUGE WHEEL W/STOP
9	SN2801		TIRE, 20.5 X 8 X 10 WH ASSY
10	SN2392		TUBE, 20.5 X 8 X 10
11	SN2391		TIRE, 20.5 X 8 X 10
12	SN2390		WHEEL, 6 X 10
13	SN302		LOCKWASHER, 7/16" SPLIT TYPE MED, Y/D
14	SN303		HEX NUT, 7/16"-14 FULL, GR 2, Y/D
15	SN1609		COTTER PIN, 3/16" X 1 1/2"
16	SN1799		SEAL, TRIPLE LIP, WHEEL (CR 17618)
17	SN1611-1		SHOULDER BOLT, 1/2"-20 X 2 3/32" PRESS IN, 5/8" SHOULDER
18	SN1611		LUG NUT, 1/2"-20, GR 5, 90 DEG TAPER, Y/D
19	SN3302		HEX NUT, 1"-14 FULL SLOTTED GR 2, PLAIN
20	SN1610		DUST CAP, 2.448" OD, Y/D
21	SN3303		WASHER, 1 1/32" ID X 1 3/4" ODX 1/8" THICK, PLAIN
22	SN1606		BEARING (LM67048)
23	SN1605		RACE (LM67010)
24	SN1604		FIVE BOLT HUB, STUDDED W/CUPS AND LUG NUTS, PAINTED
25	SN1603		RACE (LM48510)
26	SN1602		BEARING (LM48548)
27	SN3309		SPINDLE, 1 3/4" X 8 1/2" H.D. GAUGE WHEEL
28	SN2585		HEX BOLT, 7/16"-14 X 3 1/2", GR 5, Y/D
29	SN2799		FIVE BOLT HUB ASSEMBLY (1"-14 UNF THREAD SPINDLE)
30	SN108		COTTER PIN, 5/16" X 2 1/2", Y/D
31	SN2098-1		GREASE ZERK, 1/8" NPTF, 5/8" L
32	SN9628		PIVOT PLATE
33	SN2756		FLAT WASHER, 1 13/16" ID X 2 13/16" OD, 10 GA, Y/D
34	SN1282		HEX BOLT, 1"-8 X 6 1/2", GR 5, Y/D
35	SN2036		HEX NUT, 1 3/4"-5 SLOTTED
36	SN109		HEX BOLT, 1"-8 X 7", GR 5, Y/D
37	SN1978		HEX NUT, 1 1/2"-6 FULL, GR 2, Y/D
38	SN6298		CONNECTING LINK MOUNT
39	SN155		HEX BOLT, 1"-8 X 3 1/2", GR 5 Y/D
40	SN10609R		HEAD, MOUNTING
41	SN9017		L-BOLT, 5/8"-11 X 4 1/2" X 5 1/2", Y/D
42	SN2089		FLAT WASHER, 5/8", Y/D
43	SN669-1		LOCK NUT, 5/8" HEX NYLON
	SN7856		CONNECTING LINK ASSEMBLY (ITEMS 1, 37, & 38)

I0006509

5055 FIELD CULTIVATOR
SERVICE PARTS

SPRING SHANK ASSEMBLY



07092

**5055 FIELD CULTIVATOR
SERVICE PARTS**

35

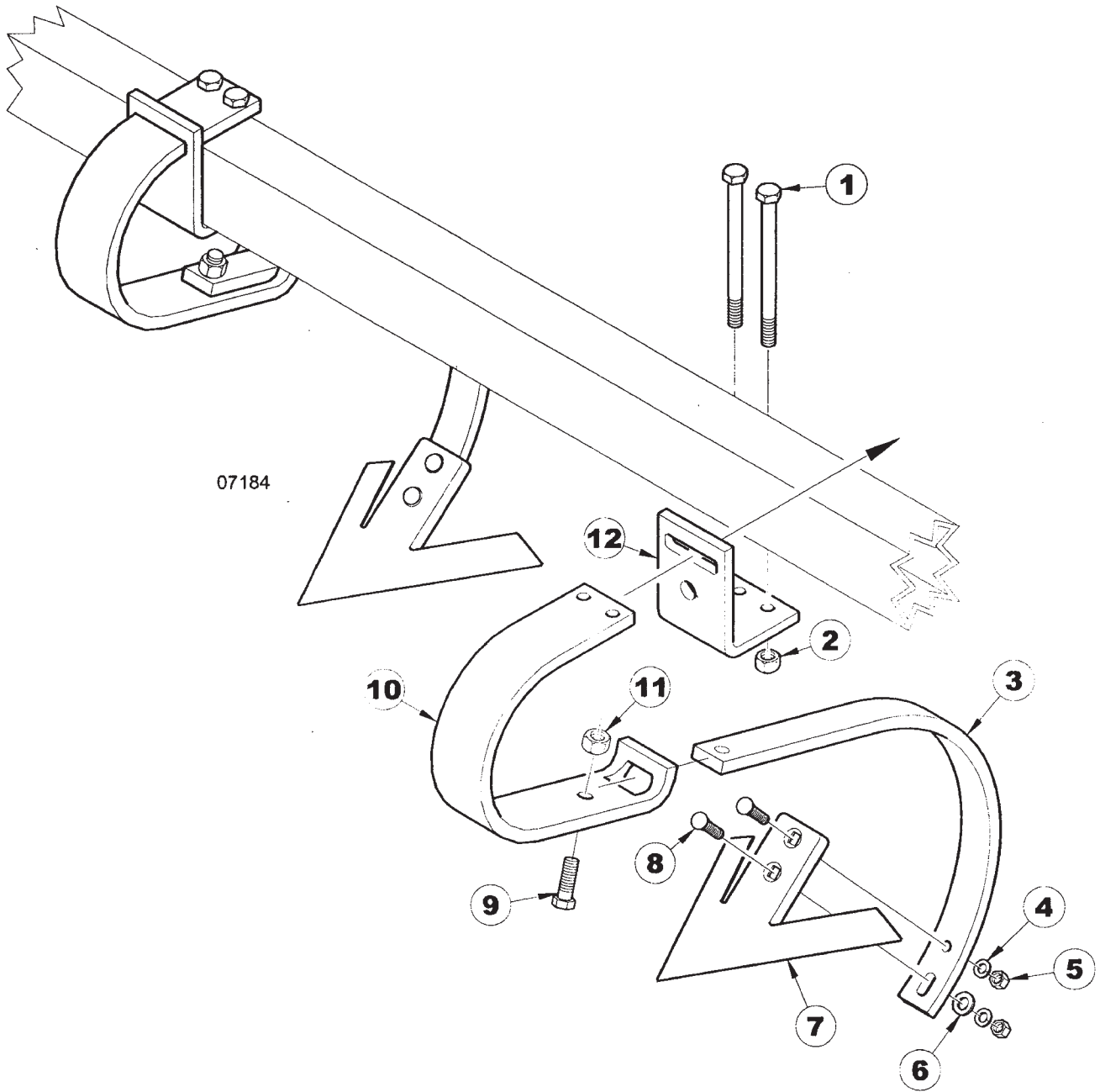
SPRING SHANK ASSEMBLY

ITEM	NUMBER	QTY	DESCRIPTION
1	SN2097		HEX BOLT, 5/8"-11 X 5 1/2", GR 5, Y/D
2	SN669-1		LOCK NUT, 5/8" HEX NYLON
3	SN10603		MOUNT, UPPER SHANK
4	SN3949		CARRIAGE BOLT, 5/8" X 4 1/4", Y/D, SPECIAL
	SN3065		HEX BOLT, 5/8"-11 X 4", GR 5, Y/D (SINGLE SHANK ON CENTER FRAME AND LEFT WING)
5	SN3790		HEX BOLT, 9/16"-12 X 1 3/4", GR 8, PL
6	SN5711		BUSHING, CLAMP
7	SN156		HEX BOLT, 1/2"-13 X 3", GR 5 Y/D
8	SN3757		LOCK NUT, 9/16"-12 HEX NYLON INSERT, GR 8, PLATED
9	SN12231		SHANK, 5/8" X 1 3/4" FLAT
	SN10579		DA (REF 12231) SHANK, 5/8" X 1 3/4"
10	SN2096		LOCK NUT, 1/2"-13 HEX NYLON INSERT
11	SN3042		SPRING BASE, 5000
12	SN3043		SPRING, 5000
13	SN3041		THREADED SPRING PLUG, 5000
14	SN3044B		SPRING ASSEMBLY, 5000 (ITEMS 11-13)
15	SN10820		HEX BOLT, 1/2"-13 X 4" ALL THD GR 5,Y/D
16	SN3046		SWEEP, 9" PLAIN (47 DEG)
17	SN3050		PLOW BOLT, 7/16"-14 X 1 1/2", GR 5, Y/D
18	SN305		FLAT WASHER, 7/16", Y/D
19	SN302		LOCKWASHER, 7/16" SPLIT TYPE MED, Y/D
20	SN303		HEX NUT, 7/16"-14 FULL, GR 2, Y/D
21	SN10604		SHANK HOLDER
22	SN5810		WASHER, 1 5/16" OD X 11/16" ID. 149" THICK, HARDENED, Y/D
23	SN6642		BUSHING, 1 1/8" OD X .887" ID 2 3/8" L (HARD) SPRING
	SN12256		SPRING SHANK ASSEMBLY (ITEMS 1-10, 14, 15, 21, 22 & 23)

I0007092

5055 FIELD CULTIVATOR
SERVICE PARTS

S-TINE SHANK ASSEMBLY (2-PIECE)



**5055 FIELD CULTIVATOR
SERVICE PARTS**

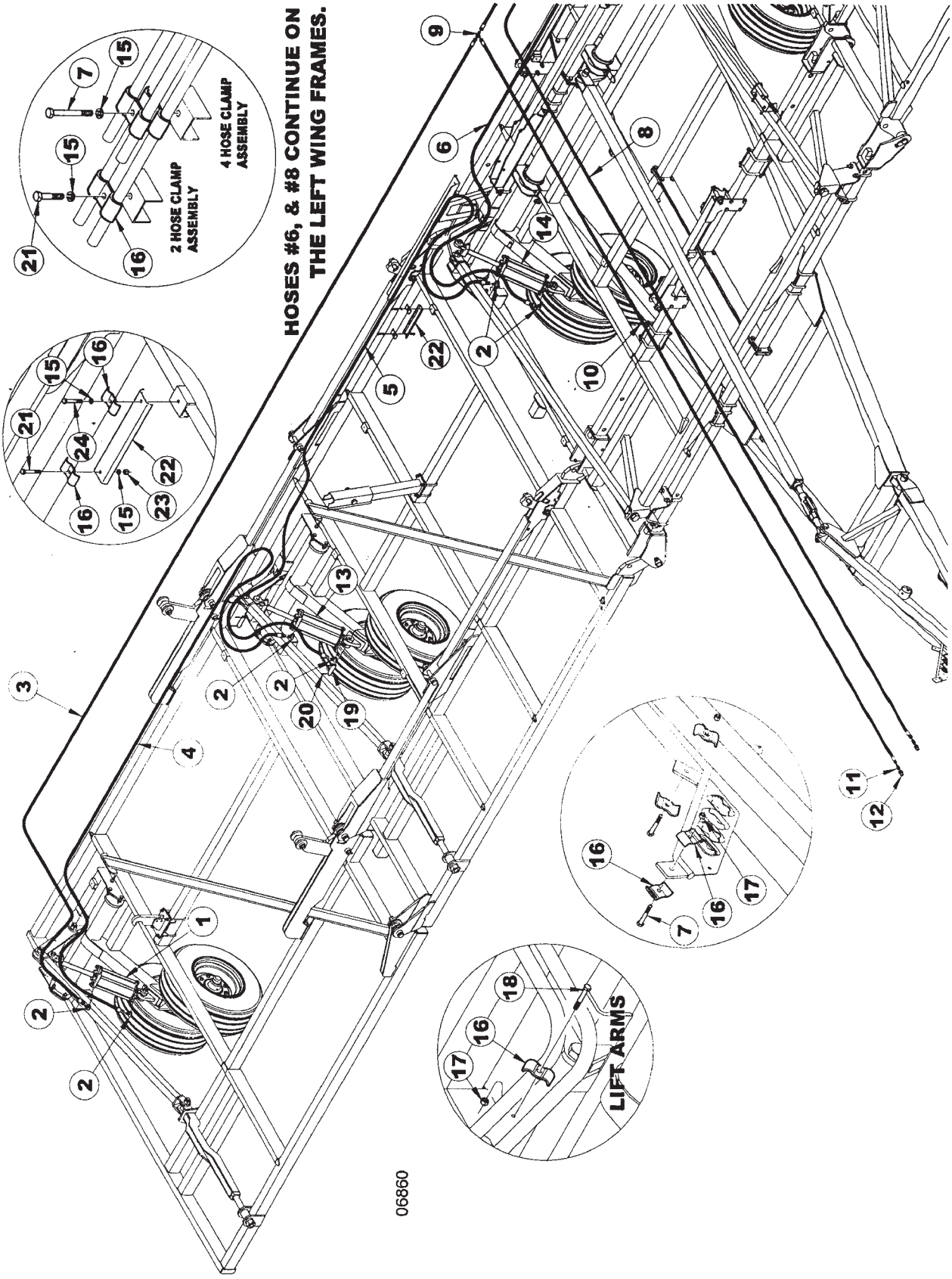
37

S-TINE SHANK ASSEMBLY (2-PIECE)

ITEM	NUMBER	QTY	DESCRIPTION
1	SN329		HEX BOLT, 1/2"-13 X 6"
2	SN2096		LOCK NUT, 1/2"-13 HEX NYLON INSERT
3	SN12257		SHANK, 5/8" X 1 3/4" X 24", FLAT
	SN6806		DA (REF 12257B) SHANK, 5/8" X 1 3/4" X 24", ON EDGE
4	SN302		LOCKWASHER, 7/16" SPLIT TYPE MED, Y/D
5	SN303		HEX NUT, 7/16"-14 FULL, GR 2, Y/D
6	SN305		FLAT WASHER, 7/16", Y/D
7	SN3046		SWEEP, 9" PLAIN (47 DEG)
8	SN3050		PLOW BOLT, 7/16"-14 X 1 1/2", GR 5, Y/D
9	SN7530		HEX BOLT, 5/8"-11 X 2 1/4" GR 5, Y/D
10	SN7453		SPRING CLAMP, S-TINE
11	SN669-1		LOCK NUT, 5/8" HEX NYLON
12	SN7528B		S-TINE CLAMP
	SN12375		SHANK ASSY, S-TINE 2 PIECE

I0007184

LIFT HYDRAULICS (CENTER & RIGHT WING)



HOSES #6, & #8 CONTINUE ON
THE LEFT WING FRAMES.

06860

**5055 FIELD CULTIVATOR
SERVICE PARTS**

39

LIFT HYDRAULICS (CENTER & RIGHT WING)

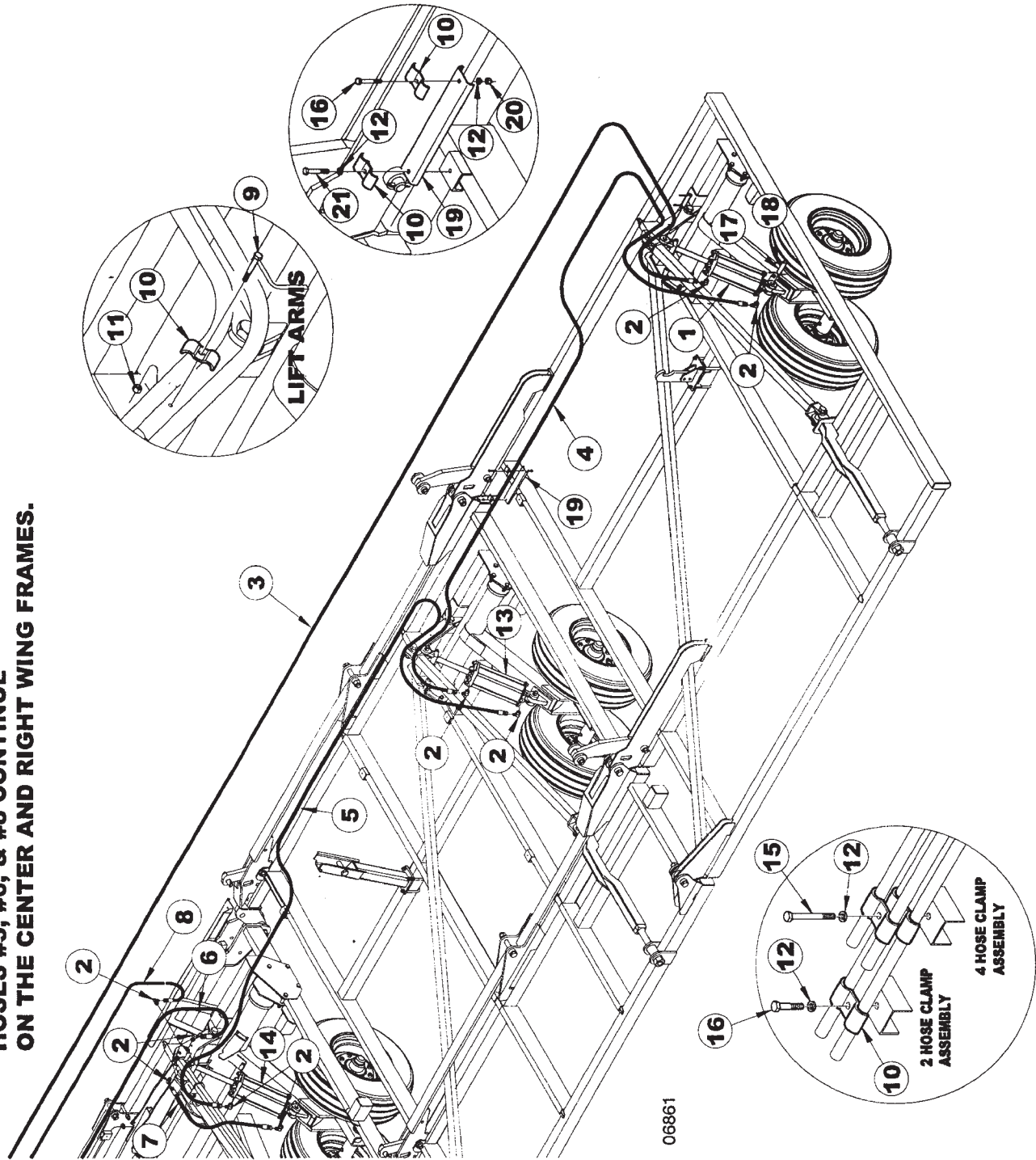
ITEM	NUMBER	QTY	DESCRIPTION
1	SN10816		CYLINDER, 3 1/2" X 10" REPH (22 1/4"CPC) ORB CROSS, 3000 PSI
2	SN4454		90 DEG STR THREAD ELBOW, 3/4"-16
3	SN4290002		HOSE, 3/8" X 290" L, FEMALE ENDS (44')
	SN4314002		HOSE, 3/8" X 314" L, FEMALE ENDS (48' & 50')
	SN4350002		HOSE, 3/8" X 350" L, FEMALE ENDS (54')
	SN4374002		HOSE, 3/8" X 374" L, FEMALE ENDS (58')
	SN4398002		HOSE, 3/8" X 398" L, FEMALE ENDS (62')
4	SN4191002		HOSE, 3/8" X 191" L, FEMALE ENDS (44' & 50')
	SN4215002		HOSE, 3/8" X 215" L, FEMALE ENDS (54', & 58')
	SN4239002		HOSE, 3/8" X 239" L, FEMALE ENDS (62')
5	SN4191002		HOSE, 3/8" X 191" L, FEMALE ENDS (44')
	SN4215002		HOSE, 3/8" X 215" L, FEMALE ENDS (48' - 54')
	SN4239002		HOSE, 3/8" X 239" L, FEMALE ENDS (58' & 62')
6	SN4181002		HOSE, 3/8" X 181" L, FEMALE ENDS (44' - 50')
	SN4205002		HOSE, 3/8" X 205" L, FEMALE ENDS (54'-62')
7	SN474		HEX BOLT, 3/8"-16 X 2", GR 5 Y/D
8	SN4367002		HOSE, 3/8" X 367" L, FEMALE ENDS (44' - 50')
	SN4403002		HOSE, 3/8" X 403" L, FEMALE ENDS (54' - 62')
9	SN2429		UNION TEE, 3/4"-16 MF
10	SN4303002		HOSE, 3/8" X 303" L, FEMALE ENDS (44' & 48')
	SN4327002		HOSE, 3/8" X 327" L, FEMALE ENDS (54'-62')
11	SN2425		MALE CONNECTOR, 3/4"-16 MF X 1/2"-14 MPT
12	SN3253		HYDRAULIC COUPLER, MALE HALF
13	SN10815		CYLINDER, 3 3/4" X 10" REPH (22 1/4"CPC) ORB CROSS, 3000 PSI
14	SN10814		CYLINDER, 4" X 10" REPH (22 1/4" CPC) ORB CROSS, 3000 PSI
15	SN176		LOCK WASHER, 3/8" SPLIT TYPE MED, Y/D
16	SN5302		PIPE CLAMP, 3/8" BOLT HOLE, Y/D
17	SN3567		LOCK NUT, 3/8"-16 HEX NYLON INSERT, GR 2, Y/D
18	SN2487		HEX BOLT, 3/8"-16 X 2 1/2", GR 5, Y/D
19	SN5339		PIN, 1" X 4 1/16" (3"), Y/D
20	SN3164		ROLL PIN, 5/16" X 2" SPIRAL MED DUTY, Y/D
21	SN3984		HEX BOLT, 3/8"-16 X 1 1/4", GR 5, Y/D
22	SN12099R		EXTENSION, HOSE MOUNT
23	SN177		HEX NUT, 3/8"-16 FULL, GR 2, Y/D
24	SN175		HEX BOLT, 3/8"-16 X 1 1/2", GR 5, Y/D

WARNING
THESE PARTS ARE IMPORTANT TO THE SAFETY OF THIS EQUIPMENT AND THOSE WHO OPERATE IT. USE ONLY EXACT REPLACEMENT PARTS TO PREVENT HYDRAULIC FAILURE. BEFORE REPLACING THESE PARTS, REVIEW AND FOLLOW THE INSTRUCTIONS IN THE SAFETY AND OPERATING SECTIONS OF THIS MANUAL.

I0006860

LIFT HYDRAULICS (LEFT WING)

HOSES #3, #6, & #8 CONTINUE
ON THE CENTER AND RIGHT WING FRAMES.



06861

**5055 FIELD CULTIVATOR
SERVICE PARTS**

41

LIFT HYDRAULICS (LEFT WING)

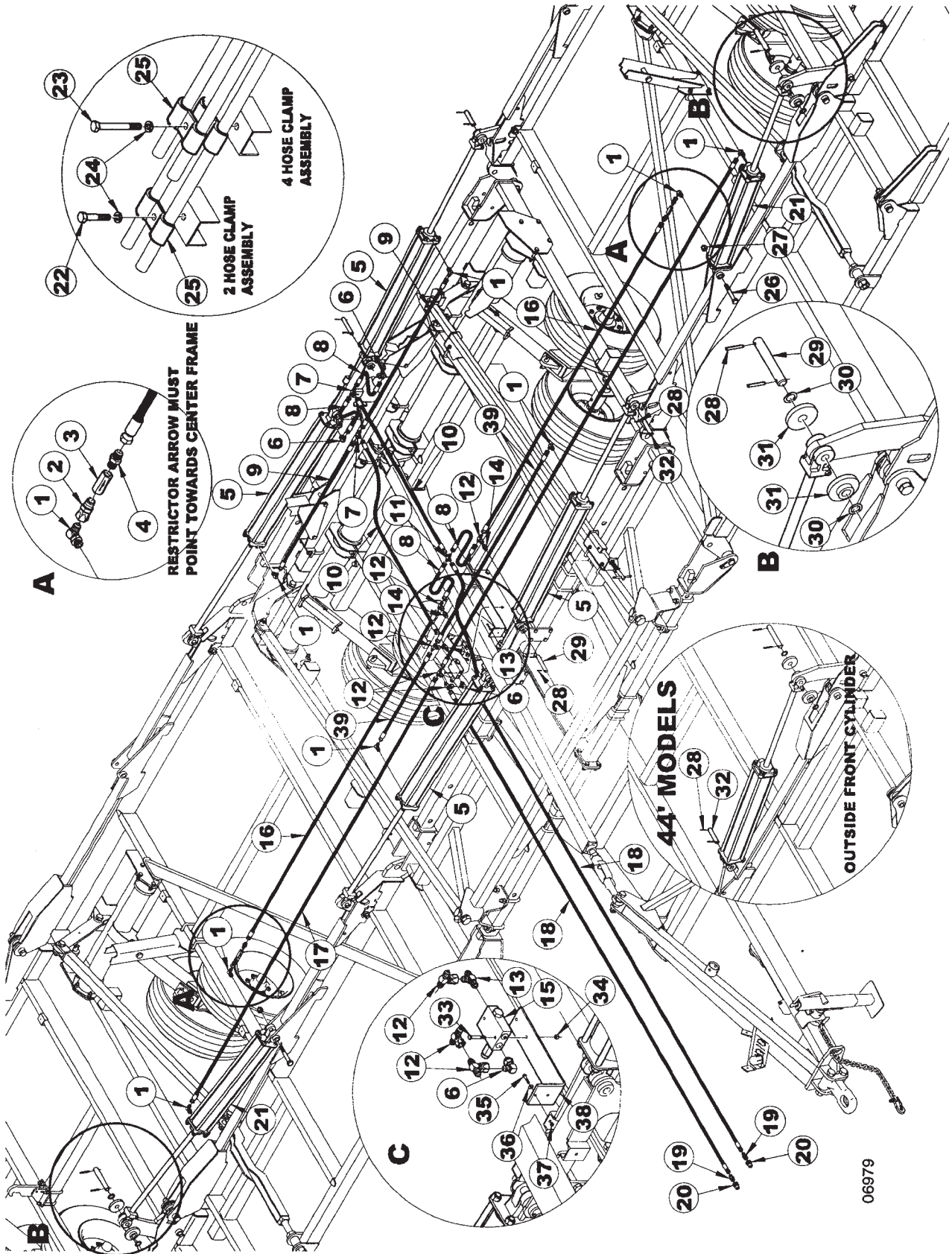
ITEM	NUMBER	QTY	DESCRIPTION
1	SN10816		CYLINDER, 3 1/2" X 10" REPH (22 1/4"CPC) ORB CROSS, 3000 PSI
2	SN4454		90 DEG STR THREAD ELBOW, 3/4"-16
3	SN4290002		HOSE, 3/8" X 290" L, FEMALE ENDS (44')
	SN4314002		HOSE, 3/8" X 314" L, FEMALE ENDS (48' & 50')
	SN4350002		HOSE, 3/8" X 350" L, FEMALE ENDS(54')
	SN4374002		HOSE, 3/8" X 374" L, FEMALE ENDS (58')
	SN4398002		HOSE, 3/8" X 398" L, FEMALE ENDS (62')
4	SN4191002		HOSE, 3/8" X 191" L, FEMALE ENDS (44' - 50')
	SN4215002		HOSE, 3/8" X 215" L, FEMALE ENDS (54' & 58')
	SN4239002		HOSE, 3/8" X 239" L, FEMALE ENDS (62')
5	SN4191002		HOSE, 3/8" X 191" L, FEMALE ENDS (44')
	SN4215002		HOSE, 3/8" X 215" L, FEMALE ENDS (48' - 54')
	SN4239002		HOSE, 3/8" X 239" L, FEMALE ENDS (58' & 62')
6	SN4181002		HOSE, 3/8" X 181" L, FEMALE ENDS (44' - 50')
	SN4205002		HOSE, 3/8" X 205" L, FEMALE ENDS (54'-62')
7	SN4062002		HOSE, 3/8" X 62" L, FEMALE ENDS
8	SN4367002		HOSE, 3/8" X 367" L, FEMALE ENDS (44' - 50')
	SN4403002		HOSE, 3/8" X 403" L, FEMALE ENDS (54'-62')
9	SN2487		HEX BOLT, 3/8"-16 X 2 1/2", GR 5, Y/D
10	SN5302		PIPE CLAMP, 3/8" BOLT HOLE, Y/D
11	SN3567		LOCK NUT, 3/8"-16 HEX NYLON INSERT, GR 2, Y/D
12	SN176		LOCK WASHER,3/8" SPLIT TYPE MED,Y/D
13	SN10815		CYLINDER, 3 3/4" X 10" REPH (22 1/4"CPC) ORB CROSS, 3000 PSI
14	SN10814		CYLINDER, 4" X 10" REPH (22 1/4" CPC) ORB CROSS, 3000 PSI
15	SN474		HEX BOLT, 3/8"-16 X 2", GR 5 Y/D
16	SN3984		HEX BOLT, 3/8"-16 X 1 1/4",GR 5, Y/D
17	SN5339		PIN, 1" X 4 1/16" (3"), Y/D
18	SN3164		ROLL PIN, 5/16" X 2" SPIRAL MEDIUM DUTY, Y/D
19	SN12099R		EXTENSION, HOSE MOUNT
20	SN177		HEX NUT, 3/8"-16 FULL, GR 2, Y/D
21	SN175		HEX BOLT, 3/8"-16 X 1 1/2",GR 5, Y/D

WARNING
THESE PARTS ARE IMPORTANT TO THE SAFETY
OF THIS EQUIPMENT AND THOSE WHO OPERATE
IT. USE ONLY EXACT REPLACEMENT PARTS TO
PREVENT HYDRAULIC FAILURE. BEFORE
REPLACING THESE PARTS, REVIEW AND
FOLLOW THE INSTRUCTIONS IN THE SAFETY
AND OPERATING SECTIONS OF THIS MANUAL.

I0006861

5055 FIELD CULTIVATOR
SERVICE PARTS

44', 48', & 50' FOLD HYDRAULICS



06979

**5055 FIELD CULTIVATOR
SERVICE PARTS**

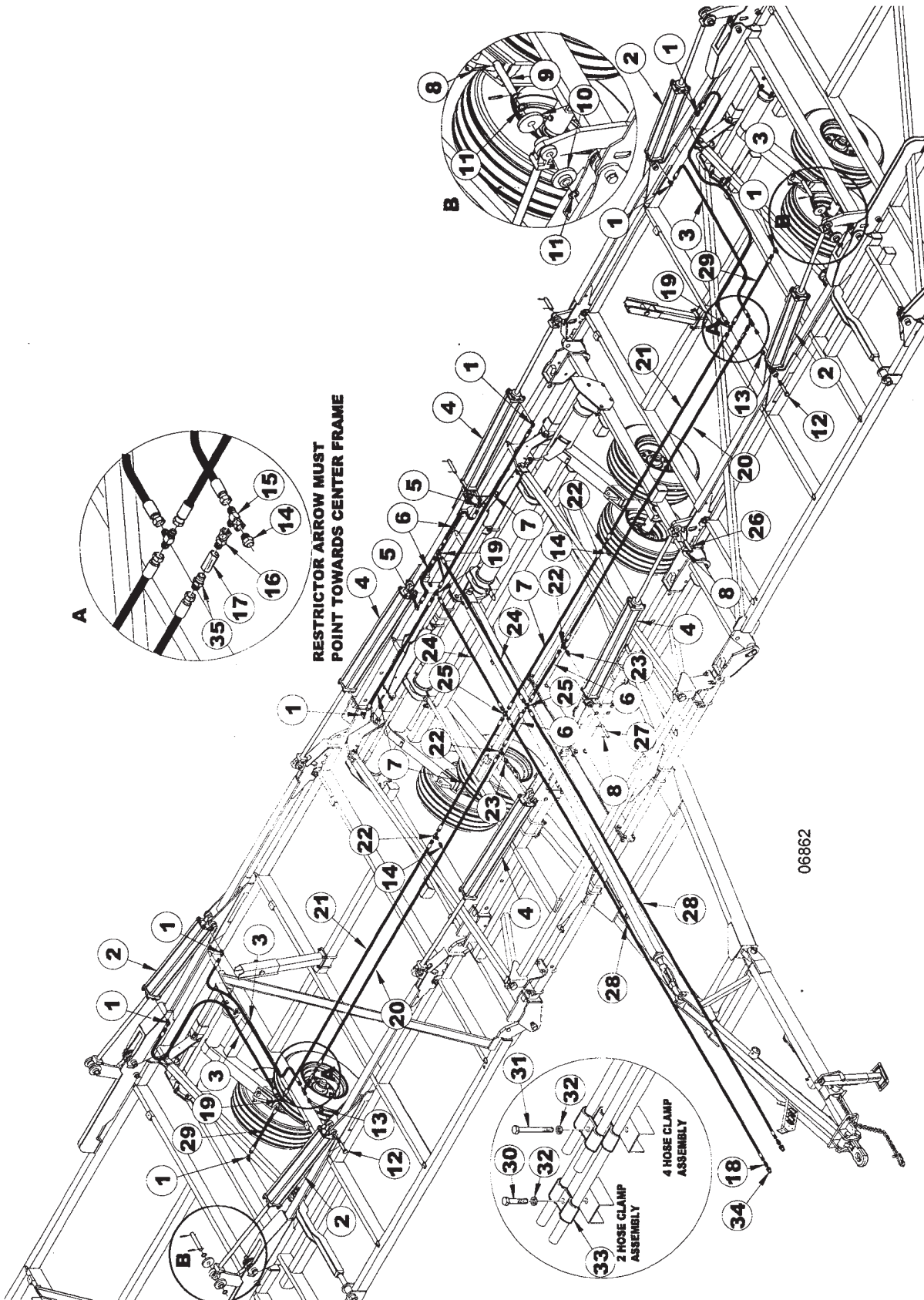
43

44', 48', & 50' FOLD HYDRAULICS

ITEM	NUMBER	QTY	DESCRIPTION
1	SN4455		90 DEG STR THD ELBOW, 3/4"-16 MF X 3/4"-16 MOR W/1/16" REST
2	SN4475		MALE PIPE TO FEMALE TUBE, 1/2-14 MPTX 3/4"-16 FF
3	SN4476		IN LINE RESTRICTOR, 1/2"-14 FPT, W/1/16" REST
4	SN2425		MALE CONNECTOR, 3/4"-16 MF X 1/2-14 MPT
5	SN10811		CYLINDER, 4" X 36" (46 5/8" CPC) ORBCROSS, 3000 PSI
6	SN4454		90 DEG STR THREAD ELBOW, 3/4"-16
7	SN2429		UNION TEE, 3/4"-16 MF
8	SN4014002		HOSE, 3/8" X 14" L, FEMALE ENDS
9	SN4048002		HOSE, 3/8" X 48" L, FEMALE ENDS
10	SN4070002		HOSE, 3/8" X 70" L, FEMALE ENDS
11	SN4482		UNION CROSS, 3/4"-16 MF
12	SN4473		SWIVEL NUT BRANCH TEE, 3/4"-16 MF X 3/4"-16 FF
13	SN4474		STR THD RUN TEE, 3/4-16 MF X 3/4-16 MOR
14	SN4463		STR THD CONNECTOR 3/4-16MF X 3/4-16 MOR
15	SN6934		VALVE, COUNTERBALANCE
16	SN4102002		HOSE, 3/8" X 102" L, FEMALE ENDS (44')
	SN4126002		HOSE, 3/8X126 L, FEMALE ENDS (48' & 50')
17	SN4153002		HOSE, 3/8X153 L, FEMALE ENDS (44')
	SN4177002		HOSE, 3/8X177 L, FEMALE ENDS (48' & 50')
18	SN4234002		HOSE, 3/8" X 234" L, FEMALE ENDS
19	SN7910		MALE CONNECTOR, 3/4"-16 MF X 1/2-14 MPT W/1/8" REST
20	SN3253		HYDRAULIC COUPLER, MALE HALF
21	SN10812		CYLINDER, 4" X 30" (40 1/4" CPC) ORBCROSS, 3000 PSI
22	SN3984		HEX BOLT, 3/8"-16 X 1 1/4",GR 5, Y/D
23	SN474		HEX BOLT, 3/8"-16 X 2", GR 5 Y/D
24	SN176		LOCK WASHER,3/8" SPLIT TYPE MED,Y/D
25	SN5302		PIPE CLAMP, 3/8" BOLT HOLE, Y/D
26	SN109		HEX BOLT, 1"-8 X 7", GR 5, Y/D
27	SN3938		LOCK NUT, 1"-8 HEX NYLON
28	SN3164		ROLL PIN, 5/16" X 2" SPIRAL MEDIUM DUTY, Y/D
29	SN5252		PIN, 1" X 6 9/16" (5 1/4") Y/D
30	SN2073		MACHINE BUSHING, 1 1/2" OD X 1" ID, 14 GA, Z/P
31	SN6529		ROLLER, FOLD LINK
32	SN5339		PIN, 1" X 4 1/16" (3"), Y/D
33	SN5815		HEX BOLT, 5/16"-18 X 2 1/4", GR 5,
34	SN6378		LOCK NUT, 5/16" HEX NYLON
35	SN505		HEX BOLT, 1/4"-20 X 1", GR 2, Y/D
36	SN506		FLAT WASHER, 1/4", Y/D
37	SN3881		LOCK NUT, 1/4"-20 HEX NYLON INSERT, GR 2, Y/D
38	SN12128R		BRACKET, VALVE MOUNTING
39	SN4054002		HOSE, 3/8" X 54" L, FEMALE ENDS WARNING THESE PARTS ARE IMPORTANT TO THE SAFETY OF THIS EQUIPMENT AND THOSE WHO OPERATE IT. USE ONLY EXACT REPLACEMENT PARTS TO PREVENT HYDRAULIC FAILURE. BEFORE REPLACING THESE PARTS, REVIEW AND FOLLOW THE INSTRUCTIONS IN THE SAFETY AND OPERATING SECTIONS OF THIS MANUAL.

5055 FIELD CULTIVATOR
SERVICE PARTS

54', 58', & 62' FOLD HYDRAULICS



**5055 FIELD CULTIVATOR
SERVICE PARTS**

45

54', 58', & 62' FOLD HYDRAULICS

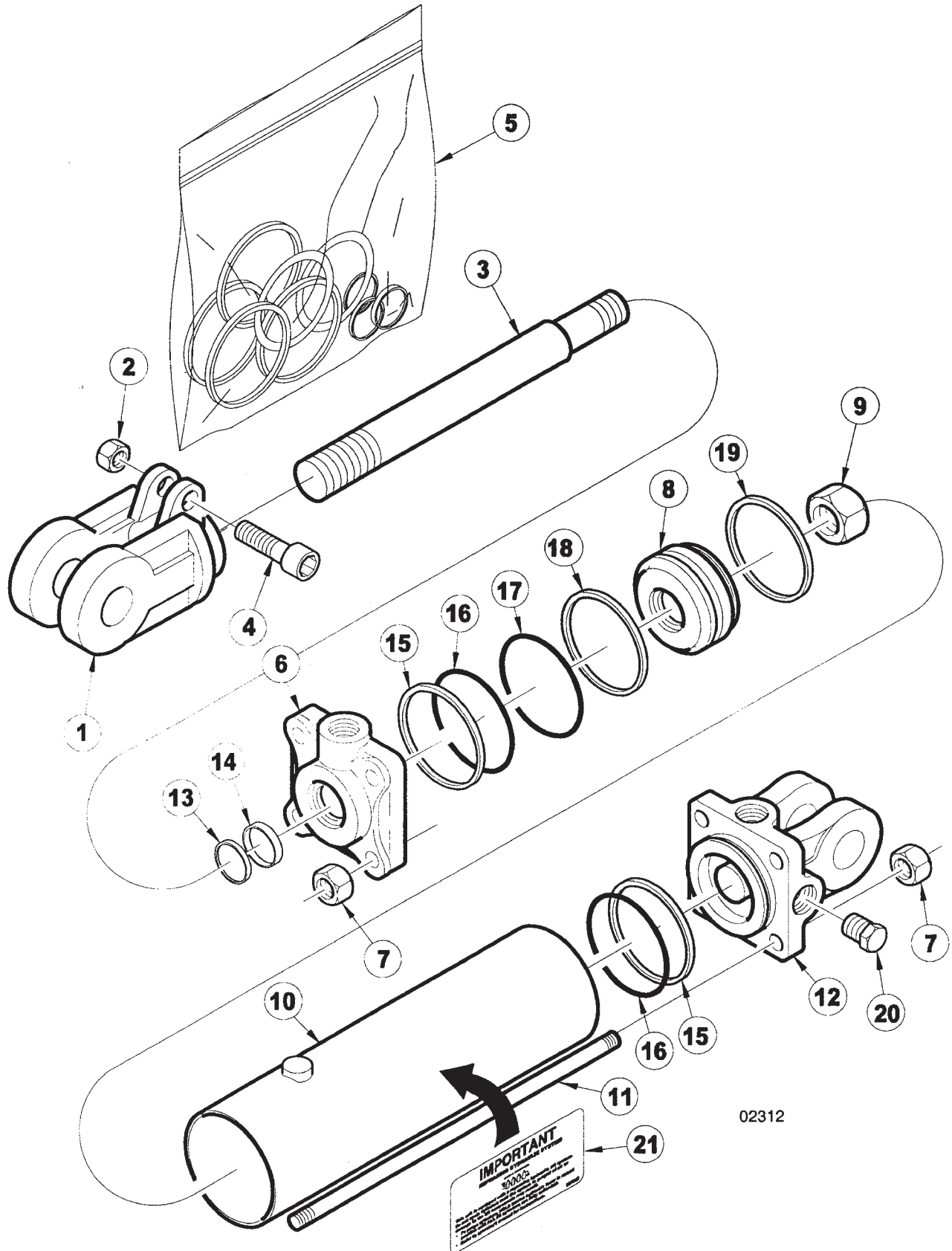
ITEM	NUMBER	QTY	DESCRIPTION
1	SN4455		90 DEG STR THD ELBOW, 3/4"-16 MF X 3/4"-16 MOR W/1/16" REST
2	SN10812		CYLINDER, 4" X 30" (40 1/4" CPC) ORBCROSS, 3000 PSI
3	SN4106002		HOSE, 3/8" X 106" L, FEMALE ENDS
4	SN10811		CYLINDER, 4" X 36" (46 5/8" CPC) ORBCROSS, 3000 PSI
5	SN4454		90 DEG STR THREAD ELBOW, 3/4"-16
6	SN4024002		HOSE, 3/8" X 24" L, FEMALE ENDS(54'-62')
7	SN4060002		HOSE, 3/8" X 60" L, FEMALE ENDS(54'-62')
8	SN3164		ROLL PIN, 5/16" X 2" SPIRAL MEDIUM DUTY Y/D
9	SN5252		PIN, 1" X 6 9/16" (5 1/4") Y/D
10	SN6529		ROLLER, FOLD LINK
11	SN2073		MACHINE BUSHING, 1 1/2" OD X 1" ID,
12	SN109		HEX BOLT, 1"-8 X 7", GR 5, Y/D
13	SN3938		LOCK NUT, 1"-8 HEX NYLON INSERT
14	SN4465		STRAIGHT THD CONNECTOR 3/4"-16 MF X 3/4"-16 MOR W/1/16" REST
15	SN6380		SWIVEL NUT RUN TEE, 3/4"-16 MF X 3/4"-16 FF
16	SN4475		MALE PIPE TO FEMALE TUBE, 1/2-14 MPTX 3/4"-16 FF
17	SN4476		IN LINE RESTRICTOR, 1/2"-14 FPT, W/ 1/16" REST
18	SN7910		MALE CONNECTOR, 3/4"-16 MF X 1/2-14MPT W/1/8" REST
19	SN2429		UNION TEE, 3/4"-16 MF
20	SN4126002		HOSE, 3/8" X 126" L, FEMALE ENDS (54')
	SN4150002		HOSE, 3/8" X 150" L, FEMALE ENDS (58'-62')
21	SN4106002		HOSE, 3/8" X 106" L, FEMALE ENDS (54')
	SN4130002		HOSE, 3/8" X 130" L, FEMALE ENDS (58'-62')
22	SN4473		SWIVEL NUT BRANCH TEE, 3/4"-16 MF X 3/4"-16 FF
23	SN4463		STRAIGHT THD.CONNECTOR, 3/4"-16
24	SN4087002		HOSE, 3/8" X 87" L, FEMALE ENDS (54'-62')
25	SN4482		UNION CROSS, 3/4"-16 MF
26	SN5339		PIN, 1" X 4 1/16" (3"), Y/D
27	SN5252		PIN, 1" X 6 9/16" (5 1/4") Y/D
28	SN4240002		HOSE, 3/8" X 240" L, FEMALE ENDS (54'-62')
29	SN4028002		HOSE, 3/8" X 28" L, FEMALE ENDS (54'-62')
30	SN3984		HEX BOLT, 3/8"-16 X 1 1/4",GR 5, Y/D
31	SN474		HEX BOLT, 3/8"-16 X 2", GR 5 Y/D
32	SN176		LOCK WASHER,3/8" SPLIT TYPE MED,Y/D
33	SN5302		PIPE CLAMP, 3/8" BOLT HOLE, Y/D
34	SN3253		HYDRAULIC COUPLER, MALE HALF
35	SN2425		MALE CONNECTOR, 3/4"-16 MF X 1/2-14 MPT

WARNING
THESE PARTS ARE IMPORTANT TO THE SAFETY
OF THIS EQUIPMENT AND THOSE WHO OPERATE
IT. USE ONLY EXACT REPLACEMENT PARTS TO
PREVENT HYDRAULIC FAILURE. BEFORE
REPLACING THESE PARTS, REVIEW AND
FOLLOW THE INSTRUCTIONS IN THE SAFETY
AND OPERATING SECTIONS OF THIS MANUAL.

10006862

5055 FIELD CULTIVATOR
SERVICE PARTS

3 1/2" X 10" REPHASING CYLINDER (10816R)



02312

**5055 FIELD CULTIVATOR
SERVICE PARTS**

47

3 1/2" X 10" REPHASING CYLINDER (10816R)

ITEM	NUMBER	QTY	DESCRIPTION
1	SN8610-1		CLEVIS, 1 1/4" THREADS, 1" PIN W/BUSHING, CROSS
2	SN8671-1		CAPSCREW NUT, 5/16" THREADS CROSS
3	SN8658-1		ROD, 1 1/4" DIA, 10" REPHASING,CROSS
4	SN8631-1		CAPSCREW, CROSS
5	SN8775-1		SEAL KIT, 3 1/2", 1 1/4" ROD, REPHASING CROSS
6	SN8657-10		HEAD, 3 1/2", 1 1/4" ROD REPHASING, CROSS (ORB)
7	SN8863-1		TIE ROD NUT, 9/16" THREADS CROSSING CROSS
8	SN8660-1		PISTON, 3 1/2" W/1" HOLE REPHASING, CROSS
9	SN8683-1		PISTON NUT, 1" CROSS
10	SN8659-1		TUBE, 3 1/2" X 10" REPHASING, CROSS
11	SN8928-1		TIE ROD BOLT, 3 1/2" X 10" REPHASING, CROSS
12	SN8927-10		BASE, 3 1/2" (ORB 1" PIN) REPHASING, CROSS
13			* WIPER
14			* U-CUP
15			* BACKUP
16			* O-RING
17			* O-RING
18			* TEFLON RING
19			* WEAR RING
20	SN4458		PLUG, 3/4"-16 MOR
21	SN997052		SYSTEMS MUST BE BLED OF AIR

* AVAILABLE IN THE SEAL KIT ONLY.

I0002312

5055 FIELD CULTIVATOR
SERVICE PARTS

49

3 3/4" X 10" REPHASING CYLINDER (10815R)

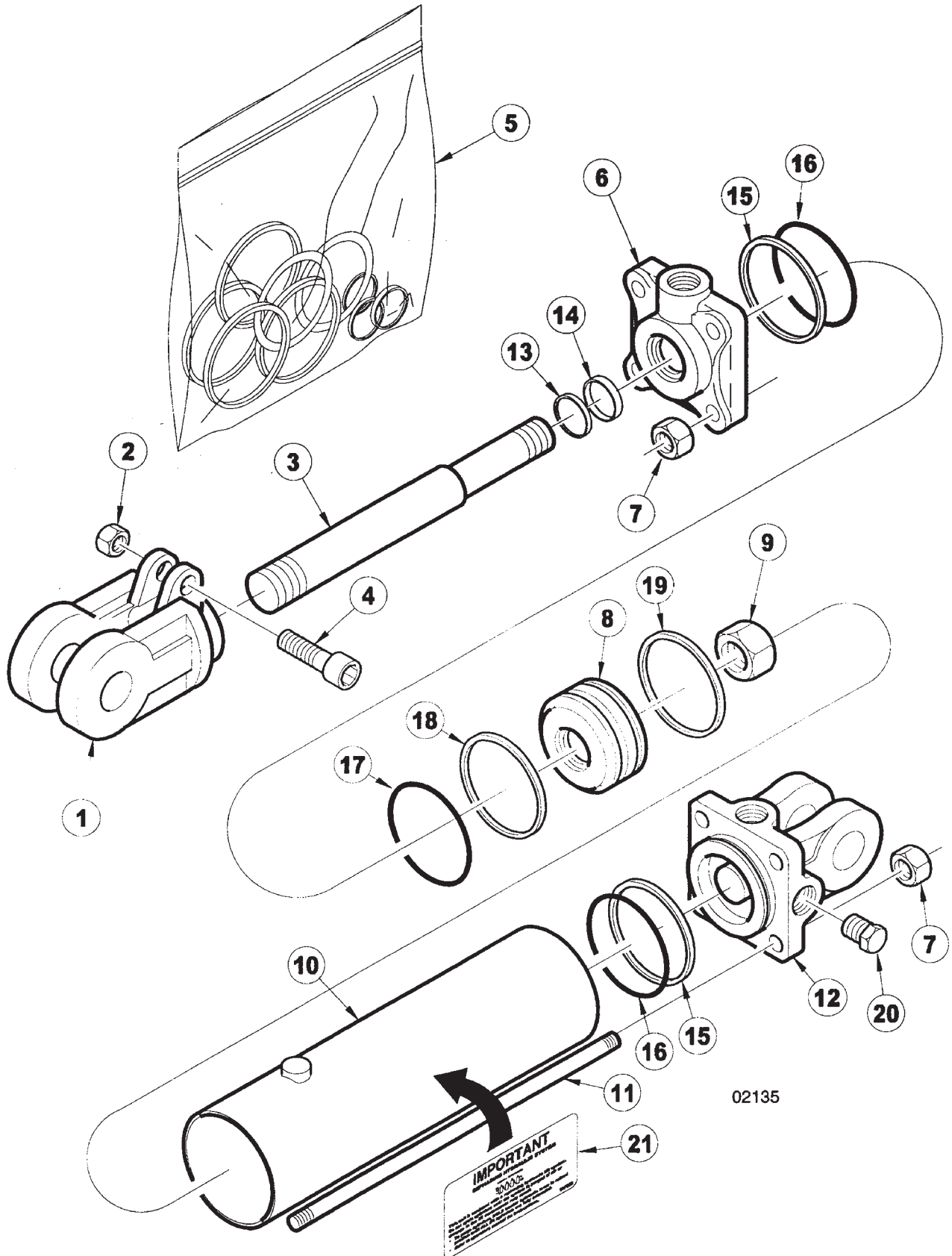
ITEM	NUMBER	QTY	DESCRIPTION
1	SN8610-1		CLEVIS, 1 1/4" THREADS, 1" PIN W/BUSHING, CROSS
2	SN8671-1		CAPSCREW NUT, 5/16" THREADS CROSS
3	SN8925-1		ROD, 1 3/8" DIA, 10" REPHASING CROSS
4	SN8631-1		CAPSCREW, CROSS
5	SN8776-1		SEAL KIT, 3 3/4", 1 3/8" ROD, REPHASING CROSS
6	SN8736-10		HEAD, 3 3/4", 1 3/8" ROD
7	SN8864-1		TIE ROD NUT, 5/8" THREADS
8	SN8655-1		PISTON, 3 3/4" W/1" HOLE REPHASING, CROSS
9	SN8683-1		PISTON NUT, 1" CROSS
10	SN8828-1		TUBE, 3 3/4" X 10" REPHASING CROSS E
11	SN8654-1		TIE ROD BOLT, 4" X 10" REPHASING, CROSS
12	SN8656-10		BASE, 3 3/4" (ORB), 1" PIN REPHASING, CROSS
13			* WIPER
14			* U-CUP
15			* BACKUP
16			* O-RING
17			* O-RING
18			* TEFLON RING
19			* WEAR RING
20	SN4458		PLUG, 3/4"-16 MOR
21	SN997052		SYSTEMS MUST BE BLED OF AIR

* AVAILABLE IN THE SEAL KIT ONLY.

I0002135

5055 FIELD CULTIVATOR
SERVICE PARTS

4" X 10" REPHASING CYLINDER (10814R)



02135

5055 FIELD CULTIVATOR
SERVICE PARTS

51

4" X 10" REPHASING CYLINDER (10814R)

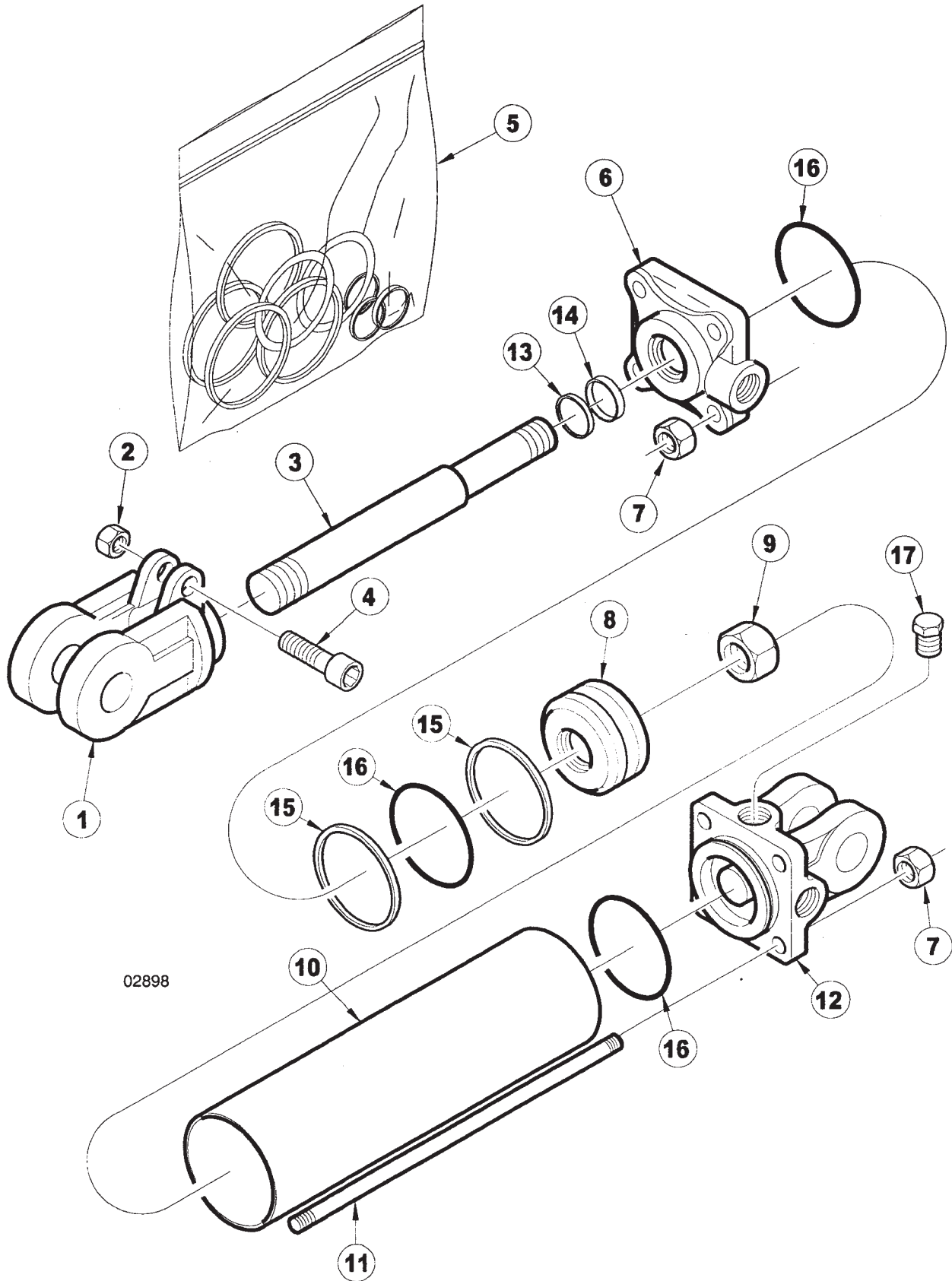
ITEM	NUMBER	QTY	DESCRIPTION
1	SN8610-1		CLEVIS, 1 1/4" THREADS, 1" PIN W/BUSHING, CROSS
2	SN8671-1		CAPSCREW NUT, 5/16" THREADS CROSS
3	SN8925-1		ROD, 1 3/8" DIA, 10" REPHASING CROSS
4	SN8631-1		CAPSCREW, CROSS
5	SN8781-1		SEAL KIT, 4", 1 3/8" ROD
6	SN8739-10		HEAD, 4" 1 3/8" ROD, REPHASING CROSS
7	SN8864-1		TIE ROD NUT, 5/8" THREADS
8	SN8653-1		PISTON, 4" W/1" HOLE, REPHASING CROSS
9	SN8683-1		PISTON NUT, 1" CROSS
10	SN8826-1		TUBE, 4" X 10" REPHASING CROSS
11	SN8654-1		TIE ROD BOLT, 4" X 10" REPHASING, CROSS
12	SN8670-10		BASE, 4" (ORB) CROSS
13			* WIPER
14			* U-CUP
15			* BACKUP
16			* O-RING
17			* O-RING
18			* TEFLON RING
19			* WEAR WING
20	SN4458		PLUG, 3/4"-16 MOR
21	SN997052		SYSTEMS MUST BE BLED OF AIR

* AVAILABLE IN THE SEAL KIT ONLY.

I0002135

5055 FIELD CULTIVATOR
SERVICE PARTS

4" X 30" HYDRAULIC CYLINDER (10812R)



02898

5055 FIELD CULTIVATOR
SERVICE PARTS

53

4" X 30" HYDRAULIC CYLINDER (10812R)

ITEM	NUMBER	QTY	DESCRIPTION
1	SN8616-1		CLEVIS, 1 1/2" THREADS, 1" PIN CROSS GS, 4" X 8", CROSS
2	SN8671-1		CAPSCREW NUT, 5/16" THREADS CROSS
3	SN8923-1		ROD, 1 1/2" DIA, 30", CROSS
4	SN8631-1		CAPSCREW, CROSS
5	SN8612-1		SEAL KIT, 4", 1 1/2" ROD, CROSS
6	SN8273-1		HEAD, 4", 1 1/2" ROD, CROSS
7	SN8864-1		TIE ROD NUT, 5/8" THREADS
8	SN8682-1		PISTON, 4" W/1" HOLE, CROSS
9	SN8683-1		PISTON NUT, 1" CROSS
10	SN8837-1		TUBE, 4" X 30" CROSS
11	SN8602-1		TIE ROD BOLT, 4" X 30", CROSS
12	SN8670-10		BASE, 4" (ORB) CROSS
13			* WIPER
14			* U-CUP
15			* BACKUP
16			* O-RING
17	SN4458		PLUG, 3/4"-16 MOR

* AVAILABLE IN THE SEAL KIT ONLY.

I0002898

5055 FIELD CULTIVATOR
SERVICE PARTS

55

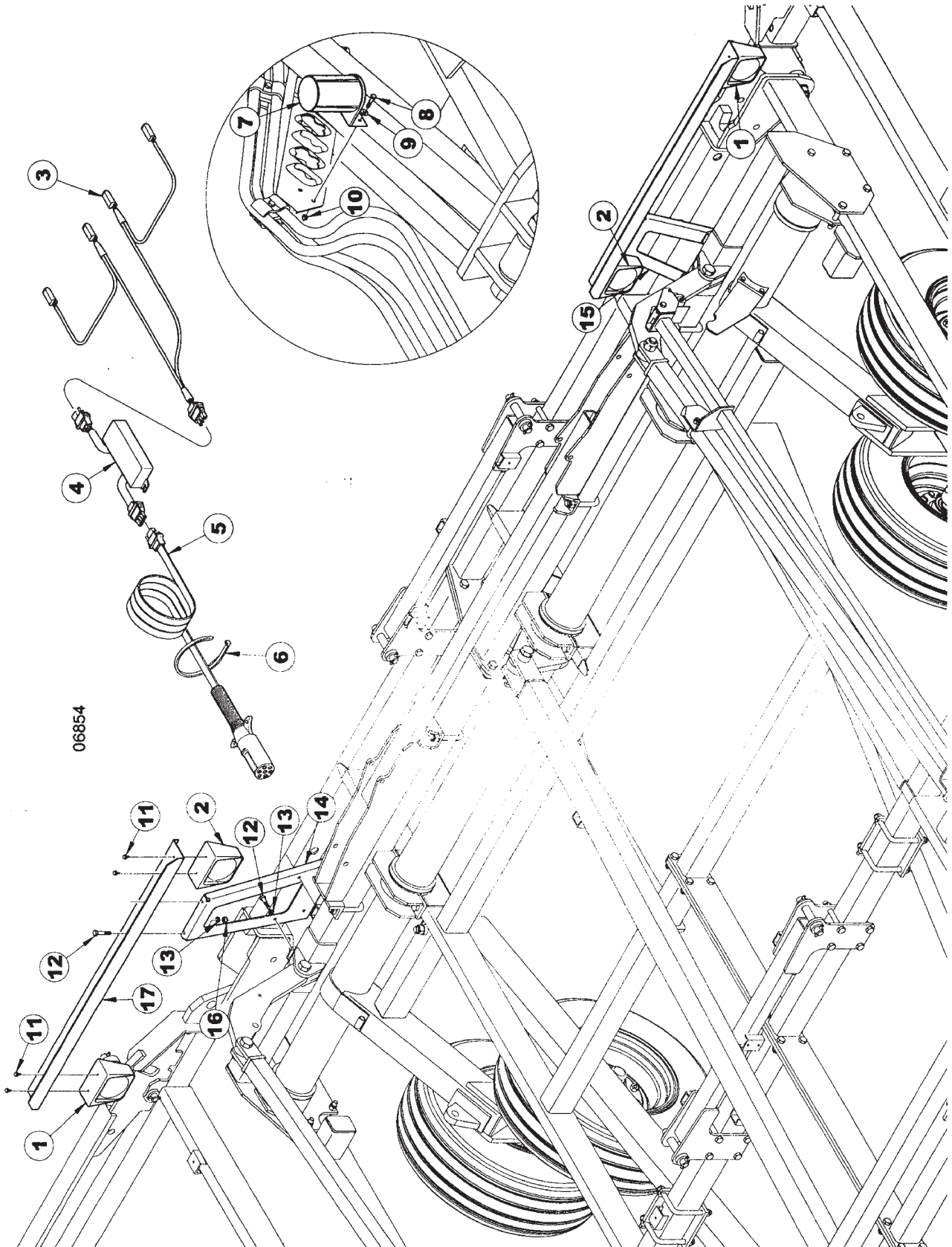
4" X 36" HYDRAULIC CYLINDER (10811R)

ITEM	NUMBER	QTY	DESCRIPTION
1	SN8616-1		CLEVIS, 1 1/2" THREADS, 1" PIN CROSS GS, 4" X 8", CROSS
2	SN8671-1		CAPSCREW NUT, 5/16" THREADS CROSS
4	SN8631-1		CAPSCREW, CROSS
5	SN8612-1		SEAL KIT, 4", 1 1/2" ROD, CROSS
6	SN8273-1		HEAD, 4", 1 1/2" ROD, CROSS
7	SN8864-1		TIE ROD NUT, 5/8" THREADS
8	SN8682-1		PISTON, 4" W/1" HOLE, CROSS
9	SN8683-1		PISTON NUT, 1" CROSS
10	SN8838-1		TUBE, 4" X 36" CROSS
11	SN8684-1		TIE ROD BOLT, 4" X 36", CROSS
12	SN8670-10		BASE, 4" (ORB) CROSS
13			* WIPER
14			* U-CUP
15			* BACKUP
16			* O-RING
17			* O-RING
18	SN4458		PLUG, 3/4"-16 MOR

* AVAILABLE IN THE SEAL KIT ONLY.

I0002119

LIGHT KIT ASSEMBLY



5055 FIELD CULTIVATOR
SERVICE PARTS

57

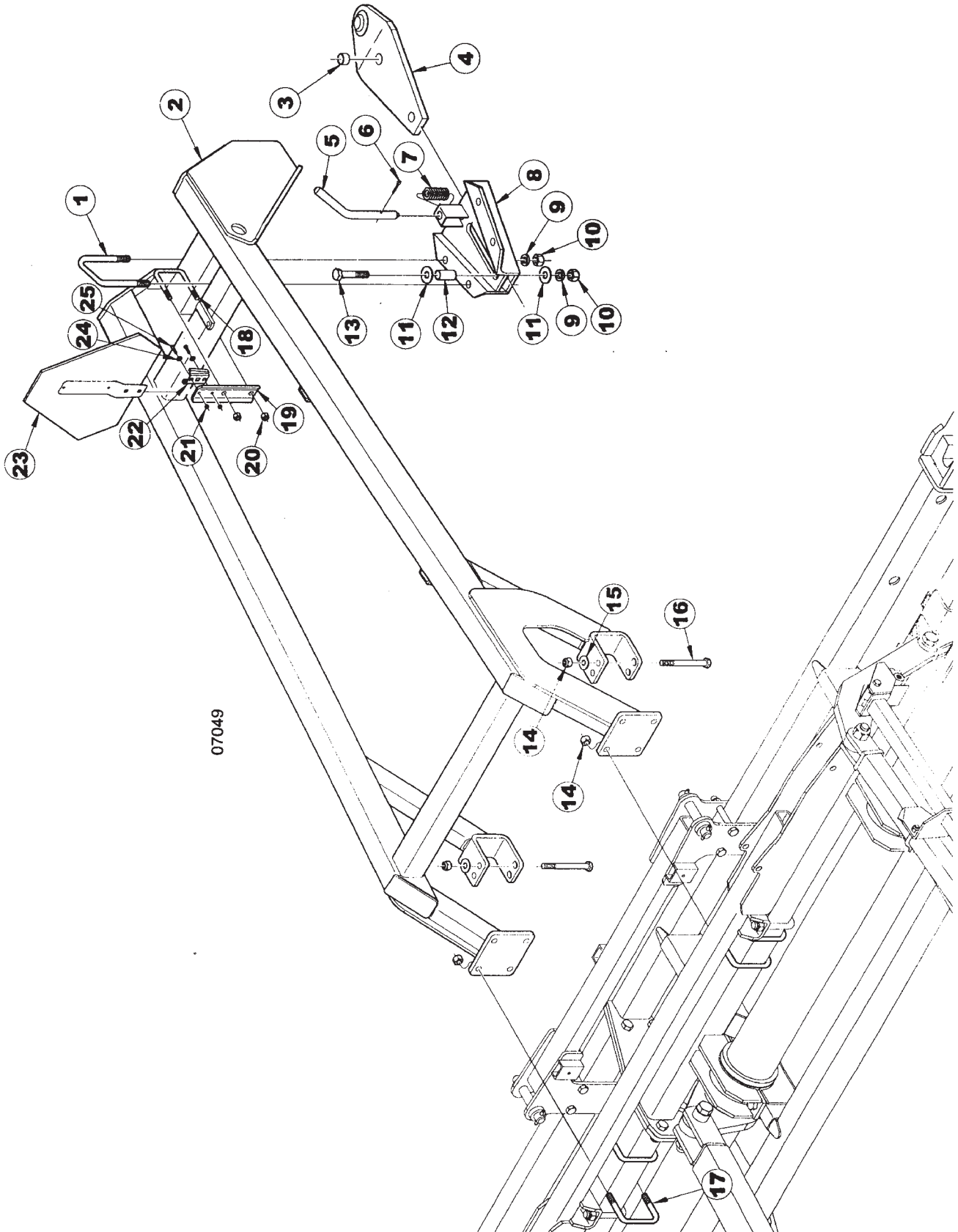
LIGHT KIT ASSEMBLY

ITEM	NUMBER	QTY	DESCRIPTION
1	SN10007		LAMP, SINGLE AMBER FRT/REAR
2	SN10486		SINGLE AG LAMP, RED/BLACK W/BRAKE
3	SN10461		HARNESS, AG 8' 6" WISHBONE
4	SN10460		ASSY, AG MODULE
5	SN10394		HARNESS, AG 30' EXTENSION
6	SN2587		PLASTIC HOSE STRAP, 21 1/2" L
7	SN10012		HOLDER, 7-PIN CONNECTOR
8	SN2568		HEX BOLT, 1/4"-20 X 3/4", GR 5 Y/D
9	SN506		FLAT WASHER, 1/4", Y/D
10	SN3881		LOCK NUT, 1/4"-20 HEX NYLON INSERT, GR 2, Y/D
11	SN9965		SCREW, HEX HEAD, 1/4"-14 X 3/4" TYPE AB, Y/D
12	SN178		HEX BOLT, 3/8"-16 X 1", GR 5, Y/D
13	SN176		LOCK WASHER, 3/8" SPLIT TYPE MED, Y/D
14	SN10651R		BRACKET, LIGHT
15	SN10652R		BRACKET, LIGHT
16	SN177		HEX NUT, 3/8"-16 FULL, GR 2, Y/D
17	SN10650R		BAR, LIGHT (RIGHT)
	SN10795R		BAR, LIGHT (LEFT)

I0006854

5055 FIELD CULTIVATOR
SERVICE PARTS

OPTIONAL REARTOW HITCH ASSEMBLY
W/HITCH SLIDE & BALL JOINT



**5055 FIELD CULTIVATOR
SERVICE PARTS**

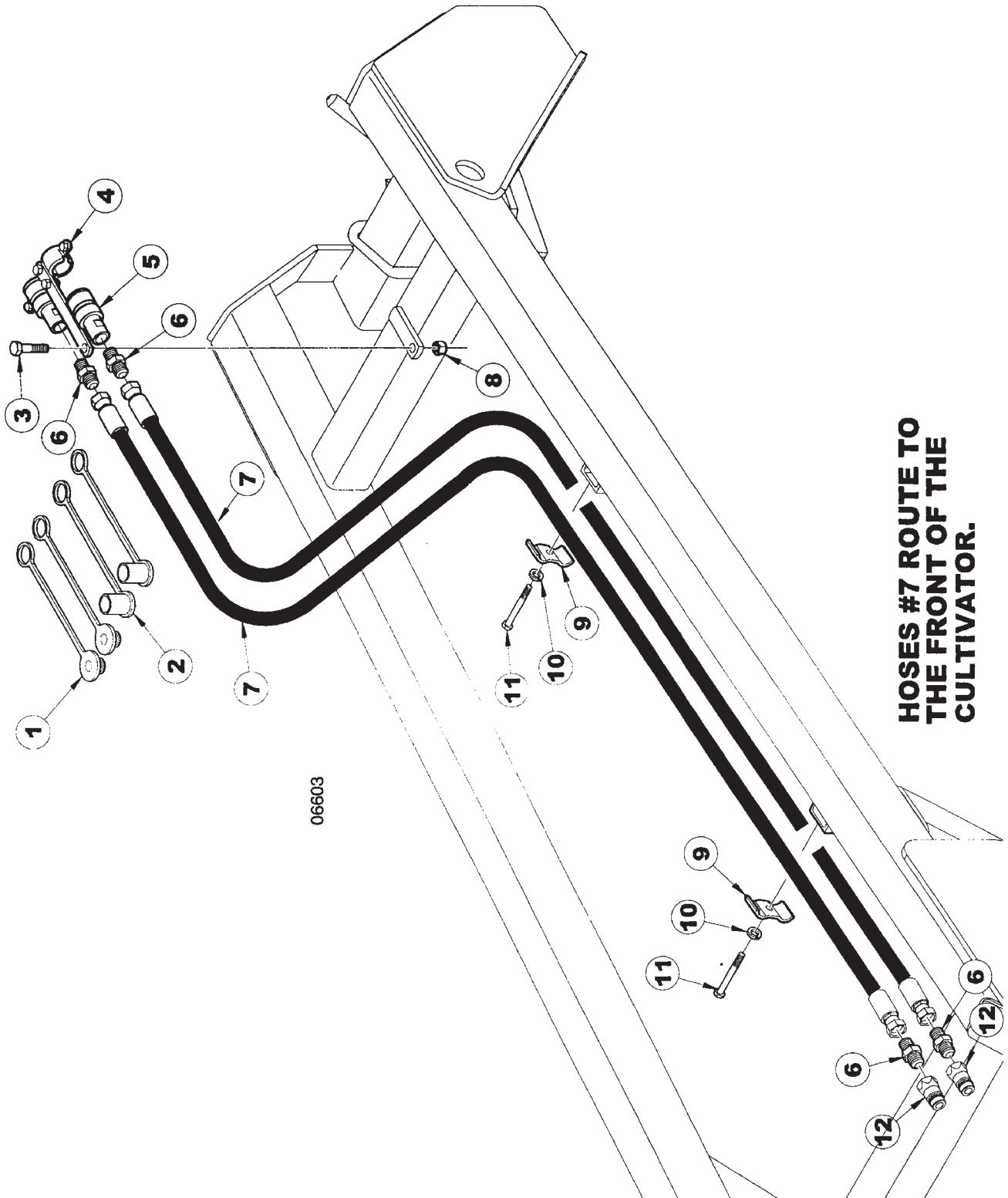
59

**OPTIONAL REAR TOW HITCH ASSEMBLY
W/HITCH SLIDE & BALL JOINT**

ITEM	NUMBER	QTY	DESCRIPTION
1	SN198		U-BOLT, 3/4"-10 X 5 1/2" X 5" W, GR 5, Y/D
2	SN12602R		HITCH, REAR TOW
3	SN3367		WEAR BUSHING, 1"ID X 1 1/4"OD 3/4" L
4	SN4740		HITCH MOUNT W/BALL JOINT
5	SN3365		PIN, 7/8" SPCL, Y/D
6	SN1609		COTTER PIN, 3/16" X 1 1/2"
7	SN3366		HITCH SPRING
8	SN3363		HITCH SLIDE
9	SN1040		LOCK WASHER, 3/4" SPLIT TYPE MED, Y/D
10	SN106		HEX NUT, 3/4"-10 FULL, GR 5, Y/D
11	SN893		FLAT WASHER, 3/4" Y/D
12	SN3364		BUSHING, 13/16"ID X 2" L
13	SN105		HEX BOLT, 3/4"-10 X 3 1/2", GR 5, Y/D
14	SN669-1		LOCK NUT, 5/8" HEX NYLON
15	SN5810		WASHER, 1 5/16" OD X 11/16" ID .149" THICK, HARDENED, Y/D
16	SN1672		HEX BOLT, 5/8"-11 X 6", GR 5, Y/D
17	SN10703		U-BOLT, 5/8"-11 X 4 3/4" X 4 3/16" W, GR 5, Y/D
18	SNBT10116		U-BOLT, 1/2"-13 X 3 3/4" X 3 5/8" W
19	SN12254R		BRACKET, SMV
20	SN3735		LOCK NUT, 1/2"-13 UNC HEX CENTER, GR 2, Y/D
21	SN3881		LOCK NUT, 1/4"-20 HEX NYLON INSERT,
22	SN2566		S.M.V. SOCKET
23	SN7001		SMV EMBLEM
24	SN506		FLAT WASHER, 1/4", Y/D
25	SN2568		HEX BOLT, 1/4"-20 X 3/4", GR 5 Y/D
	SN4739		HITCH ASSEMBLY (ITEMS 3-13)
	SN12603		HITCH, REAR TOW ASSY W/4739 HITCH SLIDE & BALL JOINT (ITEMS 1-20)

I0007049

OPTIONAL REAR TOW HITCH HYDRAULICS



5055 FIELD CULTIVATOR
SERVICE PARTS

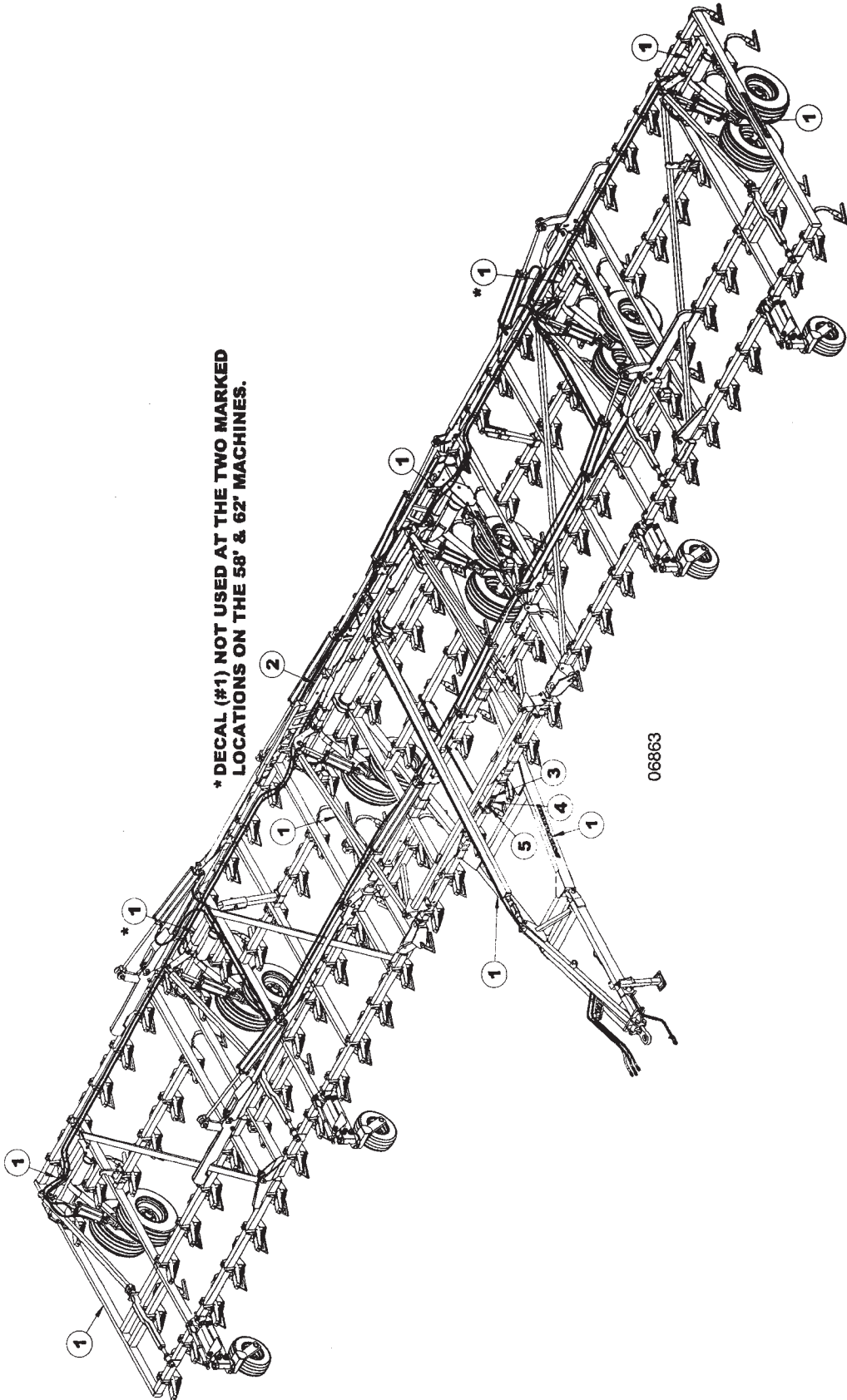
61

OPTIONAL REARTOW HITCH HYDRAULICS

ITEM	NUMBER	QTY	DESCRIPTION
1	SN10742		HYDRAULIC DUST CAP
2	SN10741		HYDRAULIC DUST PLUG
3	SN194		HEX BOLT, 1/2"-13 X 1 1/2",GR 5, Y/D,USA
4	SN10740		HYDRAULIC CLAMP
5	SN10739		HYDRAULIC COUPLER, FEMALE THREAD
6	SN2425		MALE CONNECTOR, 3/4"-16 MF X 1/2"-14 MPT
7	SN4480002		HOSE, 3/8" X 480" L, FEMALE ENDS
8	SN2096		LOCK NUT, 1/2"-13 HEX NYLON INSERT
9	SN5302		PIPE CLAMP, 3/8" BOLT HOLE, Y/D
10	SN176		LOCK WASHER,3/8" SPLIT TYPE MED,Y/D
11	SN3984		HEX BOLT, 3/8"-16 X 1 1/4",GR 5, Y/D
12	SN3253		HYDRAULIC COUPLER, MALE HALF
	SN10738		HYDRAULIC COUPLER BREAKAWAY KIT (ITEMS 1, 2, 4, 5, & 12)

I0006603

DECAL PLACEMENT



* DECAL (#1) NOT USED AT THE TWO MARKED
LOCATIONS ON THE 58' & 62' MACHINES.

06863

**5055 FIELD CULTIVATOR
SERVICE PARTS**

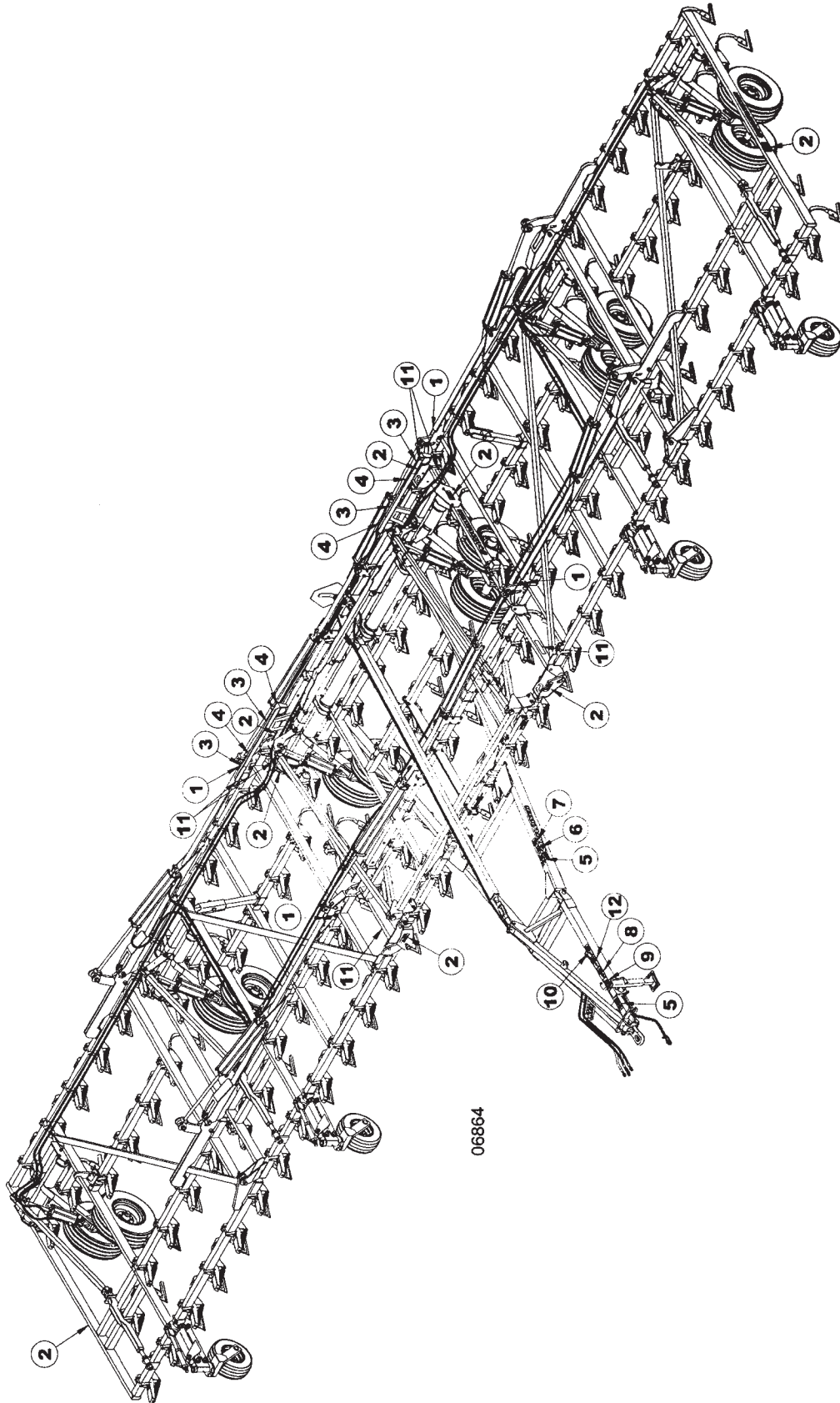
63

DECAL PLACEMENT

ITEM	NUMBER	QTY	DESCRIPTION
1	SN997002		SUNFLOWER DECAL
2	SN997765		DECAL, 5055
3	SN997263		DECAL, TILLAGE PROMOTES A SAFER ENVIRONMENT FOR TOMORROW
4			SERIAL NUMBER PLATE
5	SN997246		FEMA DECAL

I0006863

SAFETY SIGN PLACEMENT



**5055 FIELD CULTIVATOR
SERVICE PARTS**

65

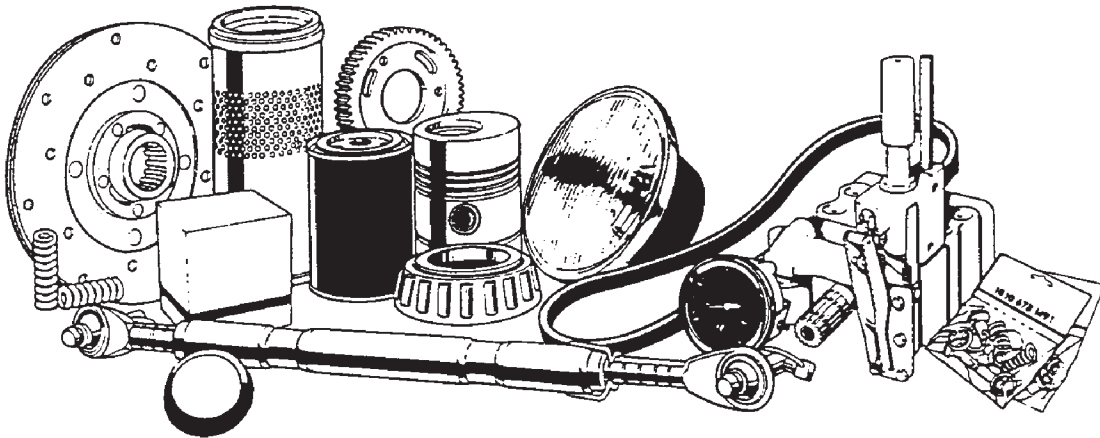
SAFETY SIGN PLACEMENT

ITEM	NUMBER	QTY	DESCRIPTION
1	SN997313		CAUTION - INSTALL LOCK PINS BEFORE TRANSPORTING
2	SN997042		STAY CLEAR OF FOLDING WINGS
3	SN997661		TAPE, RED REFLECTIVE 2" X 9" L
4	SN997662		TAPE, ORANGE REFLECTIVE 2" X 9" L
5	SN997792		DECAL-WARNING, READ OPERATOR'S MANUAL
6	SN997052		SYSTEMS MUST BE BLED OF AIR
7	SN997314		IMPORTANT - TO INSURE EVEN WORKING DEPTH
8	SN997048		FASTEN SAFETY CHAIN
9	SN997311		HIGH PRESSURE FLUID HAZARD
10	SN997045		WINGS CAN CONTACT ELECTRIC
11	SN997663		TAPE, YELLOW REFLECTIVE 2" X 9" L
12	SN997074		UNHITCHING HAZARD

I0006864

RECOMMENDED DEALER STOCK

RECOMMENDED DEALER'S STOCK



**5055 FIELD CULTIVATOR
RECOMMENDED DEALER LIST**

RECOMMENDED DEALER STOCK

ITEM	NUMBER	QTY	DESCRIPTION
-	SN3686	1	8 BOLT HUB ASSEMBLY (2 1/4" SPINDLE)
-	SN10460	1	ASSY, AG MODULE
-	SNFK310062	2	BEARING (JLM506849) (2 3/4" SPINDLE)
-	SN1602	2	BEARING (LM48548)
-	SN1935	2	BEARING (LM501349)
-	SN1606	2	BEARING (LM67048)
-	SN3683	2	BEARING(LM603049) (2 1/4" SPINDLE)
-	SN1610	1	DUST CAP, 2.448" OD, Y/D
-	SNFK340162	1	DUST CAP, 3.125" OD, Y/D(2 3/4" SPINDLE)
-	SN2799	1	FIVE BOLT HUB ASSEMBLY (1"-14 UNF
-	SN10394	1	HARNESS, AG 30' EXTENSION
-	SN10461	1	HARNESS, AG 8' 6" WISHBONE
-	SN3302	1	HEX NUT, 1"-14 FULL SLOTTED GR 2, PLAIN
-	SN3366	1	HITCH SPRING
-	SN10007	1	LAMP, SINGLE AMBER FRT/REAR
-	SN9017	2	L-BOLT,5/8"-11 X 4 1/2" X 5 1/2",Y/D
-	SN3118	8	LUG BOLT, 9/16"-18 X 1 7/8" PRESS IN,
-	SN1611	5	LUG NUT, 1/2"-20, GR 5, 90 DEG TAPER,
-	SN3117	8	LUG NUT, 9/16"-18, GR 5, 90 DEG TAPER,
-	SN3365	1	PIN, 7/8" SPCL, Y/D
-	SN1603	2	RACE (LM48510)
-	SN1936	2	RACE (LM501310)
-	SN3684	2	RACE (LM603011)
-	SN1605	2	RACE (LM67010)
-	SN8775-1	2	SEAL KIT, 3 1/2", 1 1/4" ROD,
-	SN8776-1	2	SEAL KIT, 3 3/4", 1 3/8" ROD, REPHASING
-	SN8612-1	2	SEAL KIT, 4", 1 1/2" ROD, CROSS
-	SN8781-1	2	SEAL KIT, 4", 1 3/8" ROD
-	SNFK310064	2	SEAL, 8-BOLT (2 3/4" SPINDLE)
-	SN12231	2	SHANK, 5/8" X 1 3/4" FLAT
-	SN12257	2	SHANK, 5/8" X 1 3/4" X 24", FLAT
-	SN1611-1	5	SHOULDER BOLT, 1/2"-20X2 3/32" PRESS IN,
-	SN10486	1	SINGLE AG LAMP, RED/BLACK W/BRAKE
-	SN3300	1	SIX BOLT HUB ASSEMBLY W/3301 SEAL
-	SN7001	1	SMV EMBLEM
-	SN3044B	1	SPRING ASSEMBLY, 5000 (ITEMS 11-13)
-	SN7453	1	SPRING CLAMP, S-TINE
-	SN3046	10	SWEEP, 9" PLAIN (47 DEG)
-	SN3301	1	TRIPLE LIP SEAL
-	SN10855	2	U-BOLT, 1/2" X 6 3/4" X 3 9/16" W, Y/D
-	SNBT10116	2	U-BOLT, 1/2"-13 X 3 3/4" X 3 5/8" W
-	SN3619	2	U-BOLT, 1/2"-13 X 3 5/8" X 3" W, GR 5,
-	SN5941	2	U-BOLT, 1/2"-13 X 5 1/2" X 3 9/16" W,
-	SN198	2	U-BOLT, 3/4"-10 X 5 1/2" X 5" W, GR 5,
-	SN10636	2	U-BOLT, 3/4"-10 X 5 7/8" X 3 13/16"W Y/D
-	SN5612	2	U-BOLT, 5/8"-11 X 3 1/2" X 5 11/16" W,
-	SN10703	2	U-BOLT, 5/8"-11 X 4 3/4" X 4 3/16" W,
-	SN3061	2	WALKING BEAM BEARING (342A)
-	SN3062	2	WALKING BEAM RACE (332)
-	SN3063	2	WALKING BEAM SEAL (NAT.204035 C/R 22870)
-	SNFK340165	1	WASHER, 1 1/16" ID X 2 1/8" OD X 1/4"
-	SN3303	1	WASHER, 1 1/32" ID X 1 3/4" ODX 1/8"

Архангельск (8182)63-90-72
 Астана (7172)727-132
 Астрахань (8512)99-46-04
 Барнаул (3852)73-04-60
 Белгород (4722)40-23-64
 Брянск (4832)59-03-52
 Владивосток (423)249-28-31
 Волгоград (844)278-03-48
 Вологда (8172)26-41-59
 Воронеж (473)204-51-73
 Екатеринбург (343)384-55-89

Иваново (4932)77-34-06
 Ижевск (3412)26-03-58
 Иркутск (395)279-98-46
 Казань (843)206-01-48
 Калининград (4012)72-03-81
 Калуга (4842)92-23-67
 Кемерово (3842)65-04-62
 Киров (8332)68-02-04
 Краснодар (861)203-40-90
 Красноярск (391)204-63-61
 Курск (4712)77-13-04
 Липецк (4742)52-20-81

Магнитогорск (3519)55-03-13
 Москва (495)268-04-70
 Мурманск (8152)59-64-93
 Набережные Челны (8552)20-53-41
 Нижний Новгород (831)429-08-12
 Новокузнецк (3843)20-46-81
 Новосибирск (383)227-86-73
 Омск (3812)21-46-40
 Орел (4862)44-53-42
 Оренбург (3532)37-68-04
 Пенза (8412)22-31-16

Пермь (342)205-81-47
 Ростов-на-Дону (863)308-18-15
 Рязань (4912)46-61-64
 Самара (846)206-03-16
 Санкт-Петербург (812)309-46-40
 Саратов (845)249-38-78
 Севастополь (8692)22-31-93
 Симферополь (3652)67-13-56
 Смоленск (4812)29-41-54
 Сочи (862)225-72-31
 Ставрополь (8652)20-65-13

Сургут (3462)77-98-35
 Тверь (4822)63-31-35
 Томск (3822)98-41-53
 Тула (4872)74-02-29
 Тюмень (3452)66-21-18
 Ульяновск (8422)24-23-59
 Уфа (347)229-48-12
 Хабаровск (4212)92-98-04
 Челябинск (351)202-03-61
 Череповец (8202)49-02-64
 Ярославль (4852)69-52-93

Киргизия (996)312-96-26-47

Казахстан (772)734-952-31

Таджикистан (992)427-82-92-69