

Архангельск (8182)63-90-72
Астана (7172)727-132
Астрахань (8512)99-46-04
Барнаул (3852)73-04-60
Белгород (4722)40-23-64
Брянск (4832)59-03-52
Владивосток (423)249-28-31
Волгоград (844)278-03-48
Вологда (8172)26-41-59
Воронеж (473)204-51-73
Екатеринбург (343)384-55-89

Иваново (4932)77-34-06
Ижевск (3412)26-03-58
Иркутск (395)279-98-46
Казань (843)206-01-48
Калининград (4012)72-03-81
Калуга (4842)92-23-67
Кемерово (3842)65-04-62
Киров (8332)68-02-04
Краснодар (861)203-40-90
Красноярск (391)204-63-61
Курск (4712)77-13-04
Липецк (4742)52-20-81

Киргизия (996)312-96-26-47

Магнитогорск (3519)55-03-13
Москва (495)268-04-70
Мурманск (8152)59-64-93
Набережные Челны (8552)20-53-41
Нижний Новгород (831)429-08-12
Новокузнецк (3843)20-46-81
Новосибирск (383)227-86-73
Омск (3812)21-46-40
Орел (4862)44-53-42
Оренбург (3532)37-68-04
Пенза (8412)22-31-16

Казахстан (772)734-952-31

Пермь (342)205-81-47
Ростов-на-Дону (863)308-18-15
Рязань (4912)46-61-64
Самара (846)206-03-16
Санкт-Петербург (812)309-46-40
Саратов (845)249-38-78
Севастополь (8692)22-31-93
Симферополь (3652)67-13-56
Смоленск (4812)29-41-54
Сочи (862)225-72-31
Ставрополь (8652)20-65-13

Таджикистан (992)427-82-92-69

Сургут (3462)77-98-35
Тверь (4822)63-31-35
Томск (3822)98-41-53
Тула (4872)74-02-29
Тюмень (3452)66-21-18
Ульяновск (8422)24-23-59
Уфа (347)229-48-12
Хабаровск (4212)92-98-04
Челябинск (351)202-03-61
Череповец (8202)49-02-64
Ярославль (4852)69-52-93

<http://sunflower.nt-rt.ru> || srw@nt-rt.ru

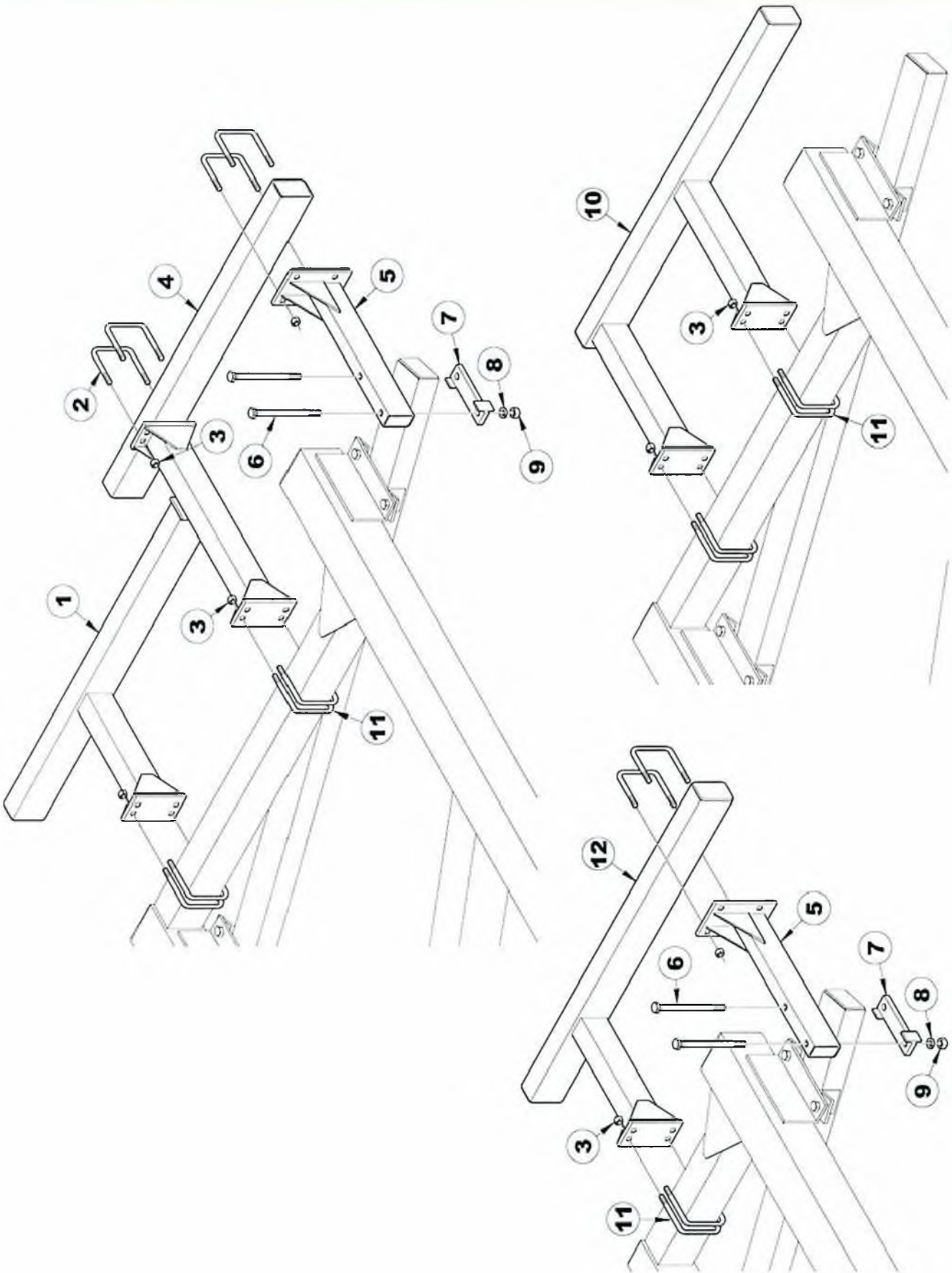
КАТАЛОГ ЗАПЧАСТЕЙ ДЛЯ СЕЛЬХОЗТЕХНИКИ SUNFLOWER

Center Attachment Subframe Assembly

Item Number Part Number Description

1	6283R	ATTACHMENT SUBFRAME, 111 1/2" (30', 33' & 36')
2	669-1	LOCK NUT, 5/8" HEX NYLON INSERT, GR 5, Z/P
3	6102	U-BOLT, 5/8"-11 X 5 1/2" X 5 11/16" W, GR 5, Z/P
4	6185R	ATTACHMENT SUBFRAME, 67 1/2" CENTER (21', 23', 26' & 29')

Wing Attachment Subframe Assembly



04832

Wing Attachment Subframe Assembly

Item Number Part Number Description

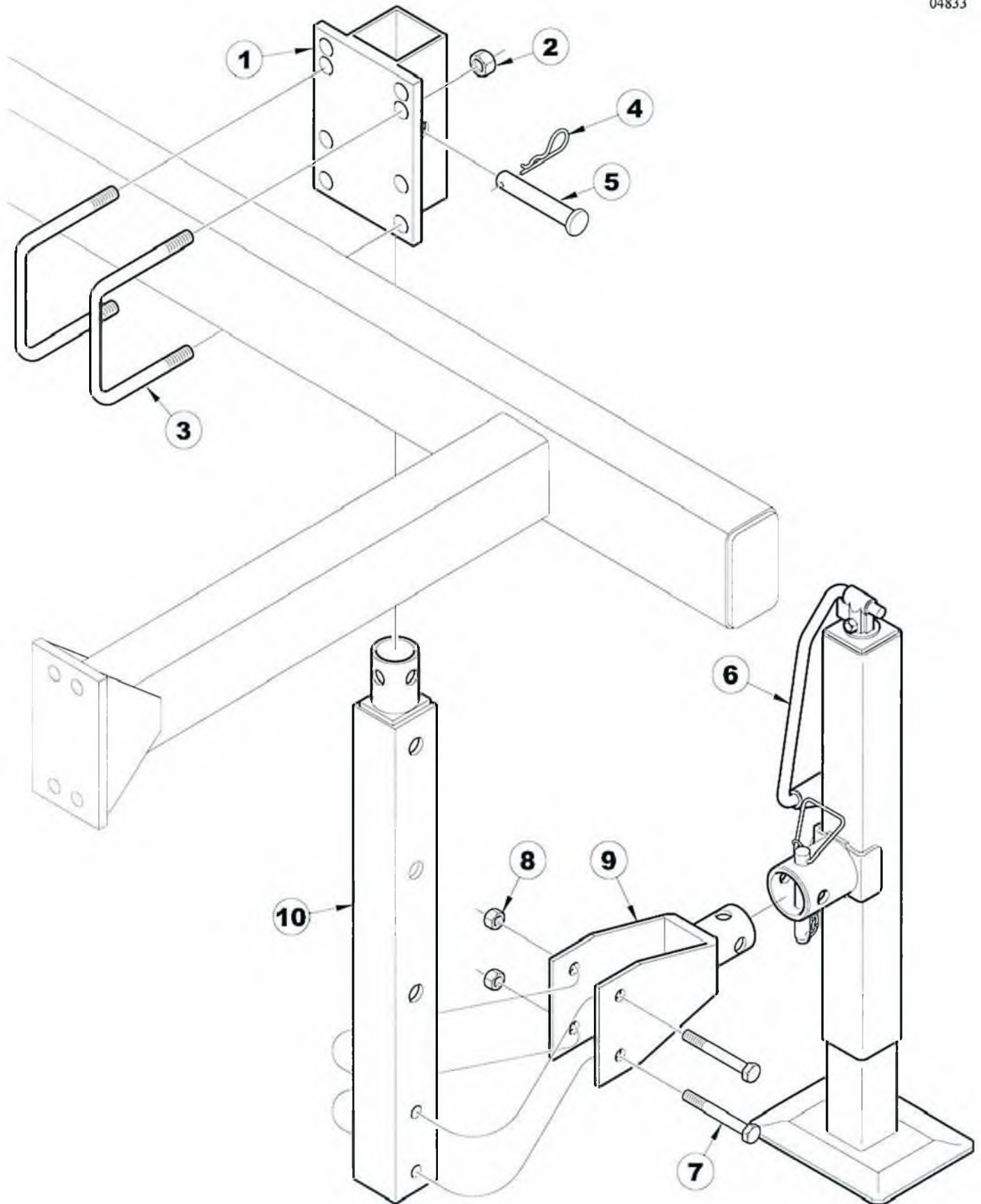
1	6284R	ATTACHMENT SUBFRAME, 54 1/8" (36')
2	2815	U-BOLT, 5/8"-11 X 4 1/2" X 5 11/16" W, GR 5, Z/P
3	669-1	LOCK NUT, 5/8" HEX NYLON INSERT, GR 5, Z/P
4	6285R	TOOL BAR, 50" (36')
5	6183R	ATTACHMENT SUBFRAME, 22 1/2" (21', 23' & 36')
6	1951	HEX BOLT, 3/4"-10 X 9 1/2", GR 5, Z/P
7	6189R	CLAMP PLATE
8	1040	LOCK WASHER, 3/4" SPLIT TYPE MED, Z/P
9	106	HEX NUT, 3/4"-10 FULL, GR 5, Z/P
10	6187R	ATTACHMENT SUBFRAME, 54 1/2" (26' & 30' SHOWN)
	6188R	ATTACHMENT SUBFRAME, 67 1/2" (29' & 33')
11	6102	U-BOLT, 5/8"-11 X 5 1/2" X 5 11/16" W, GR 5, Z/P
12	6186R	ATTACHMENT SUBFRAME, 50 1/2" (21' & 23')

3-Row Spike Drag Assembly

<i>Item Number</i>	<i>Part Number</i>	<i>Description</i>
1	2815	U-BOLT, 5/8"-11 X 4 1/2" X 5 11/16" W, GR 5, Z/P
2	669-1	LOCK NUT, 5/8" HEX NYLON INSERT, GR 5, Z/P
3	6334R	EXTENSION, SPIKE DRAG
4	670	HEX BOLT, 5/8"-11 X 2", GR 5, Z/P
5	3974	SPIKE TOOTH ARM, 3-ROW
6	3567	LOCK NUT, 3/8"-16 HEX NYLON INSERT, GR 2, Z/P
7	3984	HEX BOLT, 3/8"-16 X 1 1/4", GR 5, Z/P
8	1823	HEX BOLT, 1/2"-13 X 1 1/4", GR 5, Z/P
9	2096	LOCK NUT, 1/2"-13 HEX NYLON INSERT, GR 8, Z/P
10	3985	CARRIAGE BOLT, 5/8"-11 X 3" GR 5, Z/P SPECIAL
11	3979	DOUBLE BAR BRACKET
12	3977	BAR BRACKET
13	3966	SPIKE TOOTH BAR, 3 1/2' (5 TOOTH)
	3967	SPIKE TOOTH BAR, 5' (7 TOOTH)
	3968	SPIKE TOOTH BAR, 6 1/2' (9 TOOTH)
	3969	SPIKE TOOTH BAR, 8' (11 TOOTH)
	3970	SPIKE TOOTH BAR, 9 1/2', (13 TOOTH)
	5954B	SPIKE TOOTH BAR, 8 3/4' (12 TOOTH)
	5955B	SPIKE TOOTH BAR, 10 1/4' (14 TOOTH)
14	3895	SPIKE TOOTH, 3/4" X 11"
15	3894	TRI-BEND BOLT, 3/8"-16 X 1 1/2", Z/P
16	3976	LINK, OFFSET
17	4738	HEX BOLT, 3/8"-16 X 2 3/4", GR 5, Z/P
18	3983	CHAIN, 5/16" PROOF, 25 LINKS
19	2045	HEX BOLT, 1/2"-13 X 1 3/4", GR5, Z/P
20	112	HEX BOLT, 1/2"-13 X 2 1/2", GR 5, Z/P
21	5531	CHAIN, 7/0 SIDE 12 LINKS
22	3964	SPIKE TOOTH EXTENSION, 18" (2 TOOTH)
23	7013B	U-CLIP

Sunflower Manufacturing
Rear Jack Assembly

04833



Rear Jack Assembly

Item Number Part Number Description

1	3353	JACK ADAPTER PLATE
2	669-1	LOCK NUT, 5/8" HEX NYLON INSERT, GR 5, Z/P
3	2815	U-BOLT, 5/8"-11 X 4 1/2" X 5 11/16" W, GR 5, Z/P
4	2867	PIN CLIP, 1/2"-5/8" SHAFT, .120" DIA, 2" L
5	2094	PIN, 3/4" X 4 1/2" (4"), Z/P
6	9777	LONG TONGUE JACK, SQ W/TUBE MOUNT
7	3371	HEX BOLT, 1/2"-13 X 4", GR 5, Z/P
8	2096	LOCK NUT, 1/2"-13 HEX NYLON INSERT, GR 8, Z/P
9	3355R	JACK BRACKET
10	3354R	JACK TUBE
	3352	REAR JACK MOUNT ASSEMBLY, LESS U-BOLTS & JACK

Numerical Part Number Index

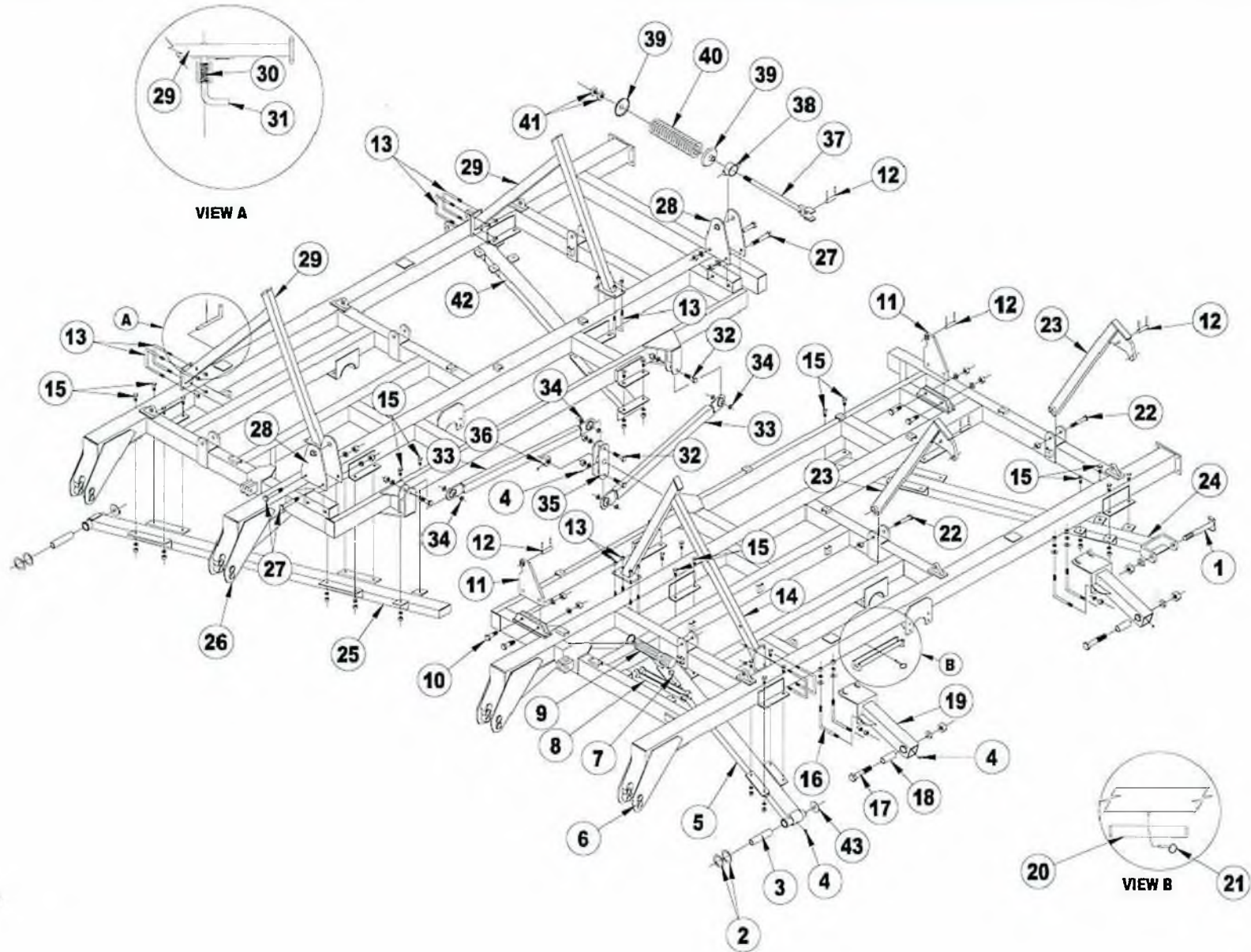
<i>PART NO.</i>	<i>PAGE</i>	<i>PART NO.</i>	<i>PAGE</i>	<i>PART NO.</i>	<i>PAGE</i>
1040	16,40	3983	42		
106	16,40	3984	42		
112	42	3985	42		
140	18	4738	18,20,42		
1507	20	5531	42		
156	18	5715	18,20		
175	18,20	5721R	18		
178	18,20	5722	20		
1823	42	5723R	18,20		
1951	16,40	5724R	18,20		
2045	42	5725R	18		
2094	22,44	5726R	18		
2096	18,20,22,42,44	5727R	20		
2097	18,20	5728R	18		
2557	18	5729R	18,20		
2815	16,22,40,42,44	5730	18,20		
2867	22,44	5731	20		
3065	20	5732R	18,20		
317	18,20	5733	18		
3352	22,44	5746R	20		
3353	22,44	5889R	18		
3354R	22,44	5890R	20		
3355R	22,44	5954B	42		
3371	18,20,22,44	5955B	42		
3557	18,20	6102	14,16,38,40		
3566	18,20	6175R	18		
3567	18,20,42	6183R	16,40		
3609	18,20	6185R	14,38		
3610	20	6186R	16,40		
3611	20	6187R	16,40		
3612	20	6188R	16,40		
3621	18,20	6189R	16,40		
3628	18	6283R	14,38		
3629	20	6284R	16,40		
3635	20	6285R	16,40		
3859	20	6334R	42		
3894	42	669-1	14,16,18,20,22,38,40, 42,44		
3895	42	670	42		
3917	18	7013B	42		
3962	18,20	7018R	18		
3964	42	7907R	18,20		
3966	42	7908R	18,20		
3967	42	9777	22,44		
3968	42	H			
3969	42	HEN	18,20		
3970	42				
3974	42				
3976	42				
3977	42				
3979	42				

TABLE OF CONTENTS

PARTS SECTION

CENTER FRAME ASSEMBLY	P1 - P3
REAR STABILIZER ASSEMBLY	P4 - P5
TONGUE ASSEMBLY	P6 - P9
WING FRAME ASSEMBLY	P10 -P11
TANDEM LIFT AXLE ASSEMBLY	P12 -P13
EIGHT BOLT HUB ASSEMBLY.	P14 -P15
GAUGE WHEEL ASSEMBLY.	P16 -P17
RIGID SCRAPER ASSEMBLY - C-FLEX MOUNTED	P18 -P21
RIGID SCRAPER ASSEMBLY	P22 -P23
DISC GANG ASSEMBLY	P24 -P25
TRUNNION BEARING REPLACEMENT PARTS.	P26 -P27
STANDARD SELF LEVELER ASSEMBLY	P28 -P30
HYDRAULIC SELF LEVELER ASSEMBLY (OPTIONAL)	P31
HYDRAULICS FOR HYDRAULIC SELF LEVELER	P32-P34
SAFETY AND IDENTIFICATION DECALS	P35 -P37
HYDRAULIC LIFT SYSTEM	P38 -P39
HYDRAULIC FOLD SYSTEM.	P40 -P41

P1



01210

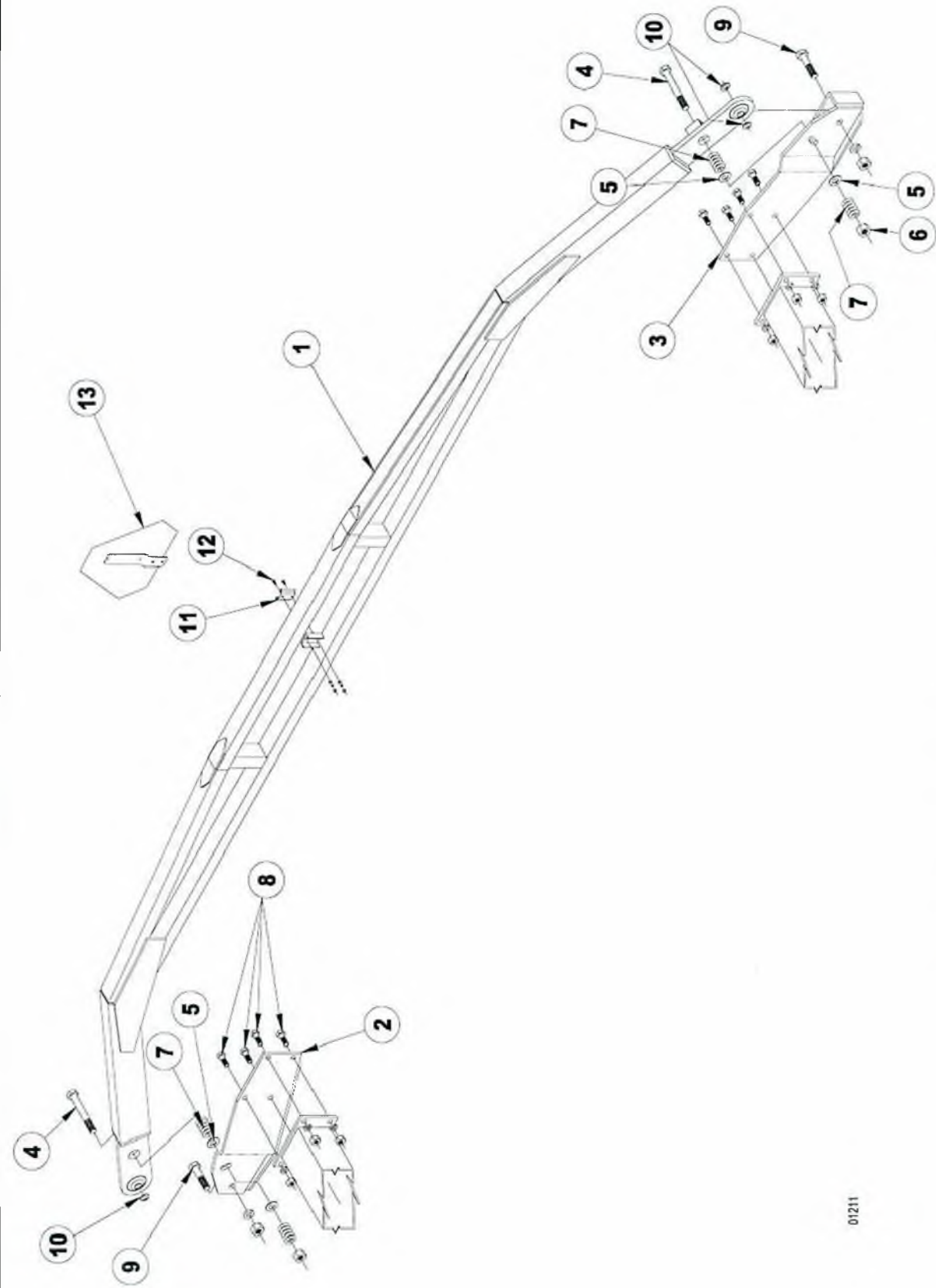
CENTER FRAME ASSEMBLY

CENTER FRAME ASSEMBLY

ITEM	PART NO.	DESCRIPTION
1	6169B	1 1/2" x 11 1/2" HINGE BOLT
	2085	1 1/2" LOCK WASHER
	2079	1 1/2" JAM NUT
2	6286	MACHINE BUSHING, 2 1/8" I.D. x 3 1/8" O.D., 10 GA.
3	6046	HINGE BUSHING, 8 3/8"
4	2098-1	GREASE ZERK, 1/8" NPTF, 5/8" L.
5	6886B	42' & 45' LEFT CENTER FRONT GANG BAR
6	6863R	LEFT CENTER FRAME
7	6575	3/8" x 3 1/2" BALL LOCK PIN
8	6923R	TONGUE ADJUSTMENT WRENCH
9	3750	OPERATOR'S MANUAL TUBE
	3765	HOSE CLAMP, 3 1/2"
10	FK150074	1" x 3" HEX BOLT
	1283	1" LOCK WASHER
	110	1" HEX NUT
11	6903R	CENTER LOCK CYLINDER MOUNT
12	5339	1" x 4 1/16" PIN
	3164	5/16" x 2" ROLL PIN
13	6913	5/8" x 7 1/2" x 6 5/8" W. U-BOLT
	669-1	5/8" LOCK NUT
14	6931R	LEFT WING STABILIZER
15	6305	3/4" x 2" HEX BOLT, GR. 8
	1040	3/4" LOCK WASHER
	106	3/4" HEX NUT
16	6912	3/4" x 7 3/4" x 7 3/4" L-BOLT
	893	3/4" FLAT WASHER
	1040	3/4" LOCK WASHER
	106	3/4" HEX NUT
17	1767	1 1/2" x 7 1/2" HEX BOLT
	2085	1 1/2" LOCK WASHER
	2079	1 1/2" JAM NUT
18	6911	CLAMP BUSHING, 2" O.D. x 1.532" I.D., 4 15/16" L.
19	6910R	BOLT ON HINGE - CENTER FRAME
20	6925R	TRANSPORT LOCK (For 4436 & 7014R Ver.1 Cylinders)
	9685R	TRANSPORT LOCK (For 9551R & 9552R Ver.2 Cylinders)
21	5201	3/8" x 3" BALL LOCK PIN
22	1282	1" x 6 1/2" HEX BOLT
	3938	1" LOCK NUT
23	6896R	CYLINDER FOLD ARM
24	6888B	42' & 45' LEFT CENTER REAR GANG BAR
25	6885B	42' & 45' RIGHT CENTER FRONT GANG BAR

CENTER FRAME ASSEMBLY

ITEM	PART NO.	DESCRIPTION
26	6862R	RIGHT CENTER FRAME
27	1282	1" x 6 1/2" HEX BOLT
	1283	1" LOCK WASHER
	110	1" HEX NUT
28	6904R	CENTER LOCK TRUNNION MOUNT
29	6897R	RIGHT WING STABILIZER
30	6932	SPRING, 1.46" O.D. x 1.236" I.D., 3" L.
31	6900R	1" x 10 1/32" SPECIAL PIN
	3164	5/16" x 2" ROLL PIN
32	1753	1" x 4" HEX BOLT
	1283	1" LOCK WASHER
	110	1" HEX NUT
33	2109	STABILIZER LINKAGE
34	2073	MACHINE BUSHING, 1 1/2" O.D. x 1" I.D.
35	6926R	LINKAGE ROCKER BRACKET
36	2088-1	1 3/4" JAM NUT W/SET SCREW
37	6905R	CENTER LOCK SPRING ROD
38	6907R	CENTER LOCK TRUNNION
39	6906R	CENTER LOCK SPRING WASHER
40	1875	COMPRESSION SPRING, 2.938" O.D. x 1.625" I.D., 8 7/8" L.
41	4737	1 1/4" JAM NUT
42	6887B	42' & 45' RIGHT CENTER REAR GANG BAR
43	3095	1 1/2" FLAT WASHER

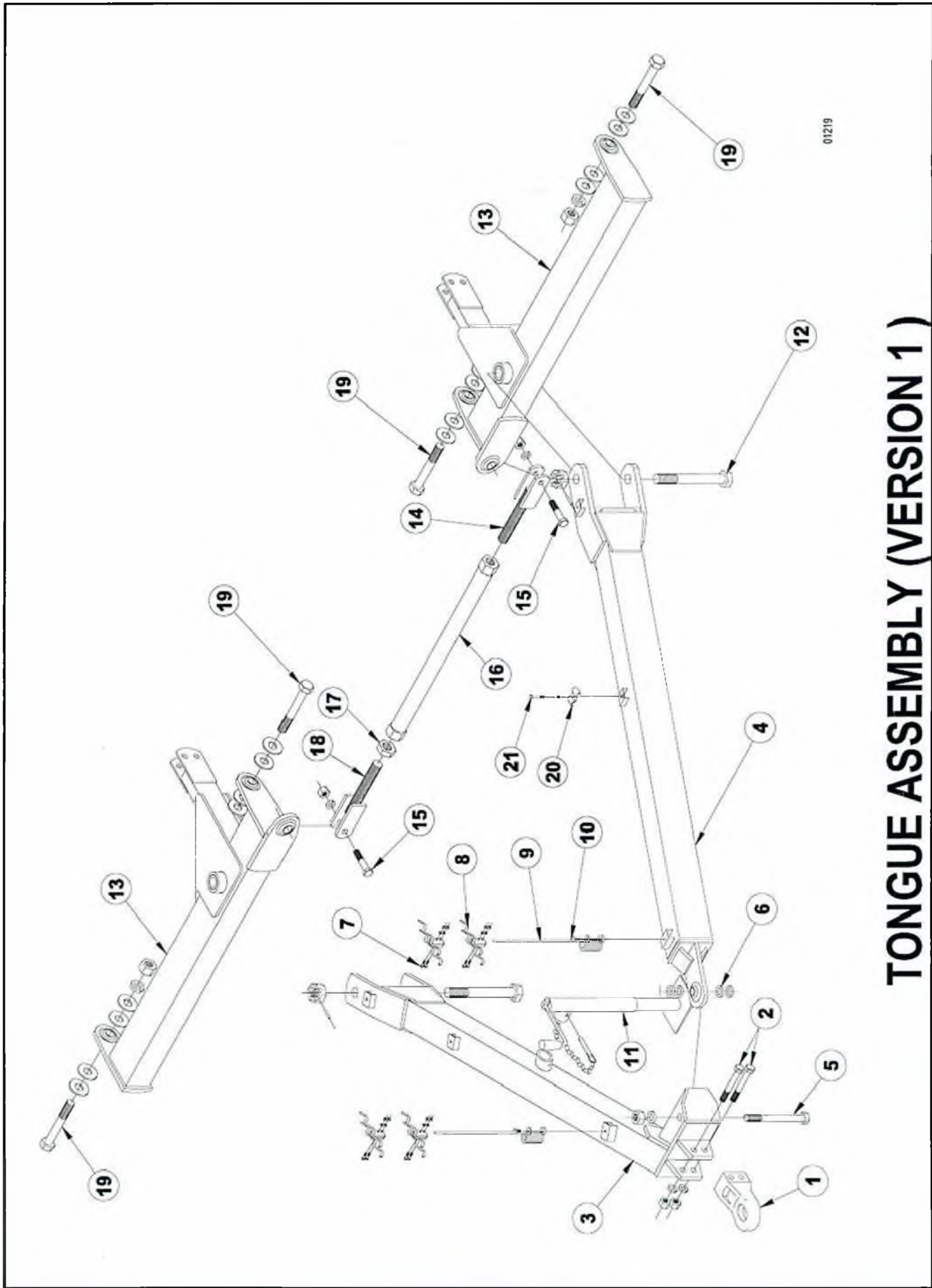


01211

REAR STABILIZER ASSEMBLY

REAR STABILIZER ASSEMBLY

ITEM	PART NO.	DESCRIPTION
1	6893R	REAR STABILIZER
2	6901R	RIGHT REAR STABILIZER MOUNT
3	6902R	LEFT REAR STABILIZER MOUNT
4	1697	1" x 7 1/2" HEX BOLT
5	245	1" FLAT WASHER
6	3938	1" LOCK NUT
7	FK361002	ADJUSTING ROD SPRING, UPPER
8	1220	3/4" x 2" HEX BOLT
	1040	3/4" LOCK WASHER
	106	3/4" HEX NUT
9	1753	1" x 4" HEX BOLT
	1283	1" LOCK WASHER
	110	1" HEX NUT
10	2073	MACHINE BUSHING, 1 1/2" O.D. x 1" I.D.
11	2566	S.M.V. SOCKET
12	2568	1/4" x 3/4" HEX BOLT
	506	1/4" FLAT WASHER
	507	1/4" LOCK WASHER
	508	1/4" HEX NUT
13	7001	S.M.V. EMBLEM

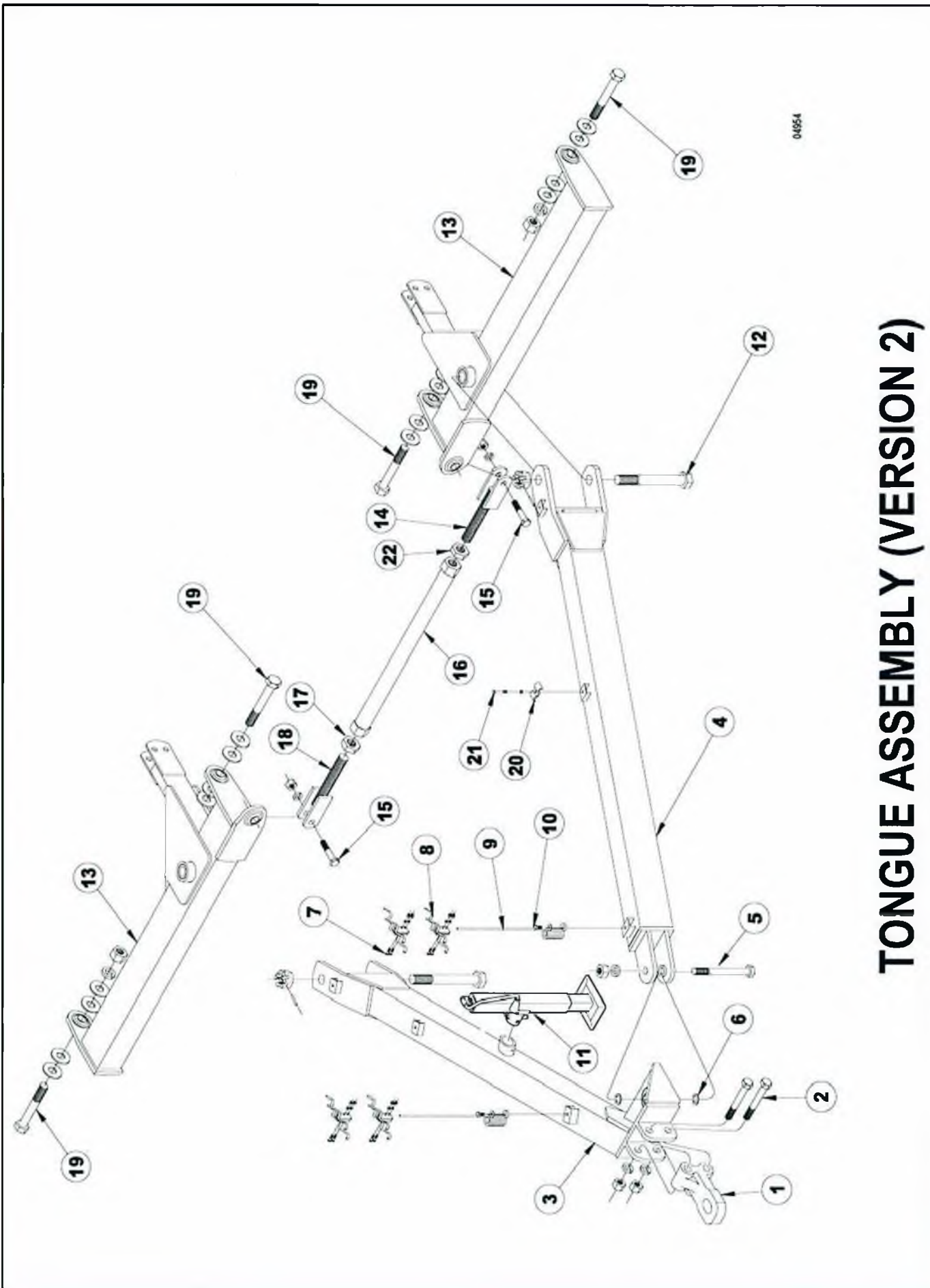


01219

TONGUE ASSEMBLY (VERSION 1)

TONGUE ASSEMBLY (VERSION 1)

ITEM	PART NO.	DESCRIPTION
1	6933R	CAST SINGLE LIP HITCH, 2" HOLE
2	109	1" x 7" HEX BOLT
	1283	1" LOCK WASHER
	110	1" HEX NUT
3	6872R	RIGHT TONGUE
4	6873R	LEFT TONGUE
5	FK150219	1 1/4" x 7 1/2" HEX BOLT
	FK150157	1 1/4" LOCK WASHER
	FK150144	1 1/4" HEX NUT
6	4899	SPACER, 5/16" THICK
7	HCS5/16X1-1/4	5/16" x 1 1/4" HEX BOLT
	3723	5/16" LOCK WASHER
	3724	5/16" HEX NUT
8	4914R	HOSE HOLDER
9	4915R	HOSE HOLDER ROD
10	2045	1/2" x 1 3/4" HEX BOLT
	486	1/2" FLAT WASHER
	2096	1/2" LOCK NUT
11	2378	LONG TONGUE JACK W/TUBE MOUNT
	2378-2	TONGUE JACK PIN
12	6924	1 3/4" x 14" SPECIAL BOLT
	3164	5/16" x 2" ROLL PIN
	2036	1 3/4" SLOTTED HEX NUT
13	6874R	TONGUE MOUNT
14	6877R	LEFT ADJUSTING SCREW
15	1753	1" x 4" HEX BOLT
	1283	1" LOCK WASHER
	110	1" HEX NUT
16	6878R	ADJUSTING LINK
17	2088	1 3/4" JAM NUT
18	6876R	RIGHT ADJUSTING SCREW
	6875R	ADJUSTING LINK ASSEMBLY (ITEMS 14 - 18)
19	4845	1 1/2" x 9 1/2" HEX BOLT
	3095	1 1/2" FLAT WASHER
	2085	1 1/2" LOCK WASHER
	1978	1 1/2" HEX NUT
20	5302	PIPE CLAMP
21	474	3/8" x 2" HEX BOLT
	176	3/8" LOCK WASHER



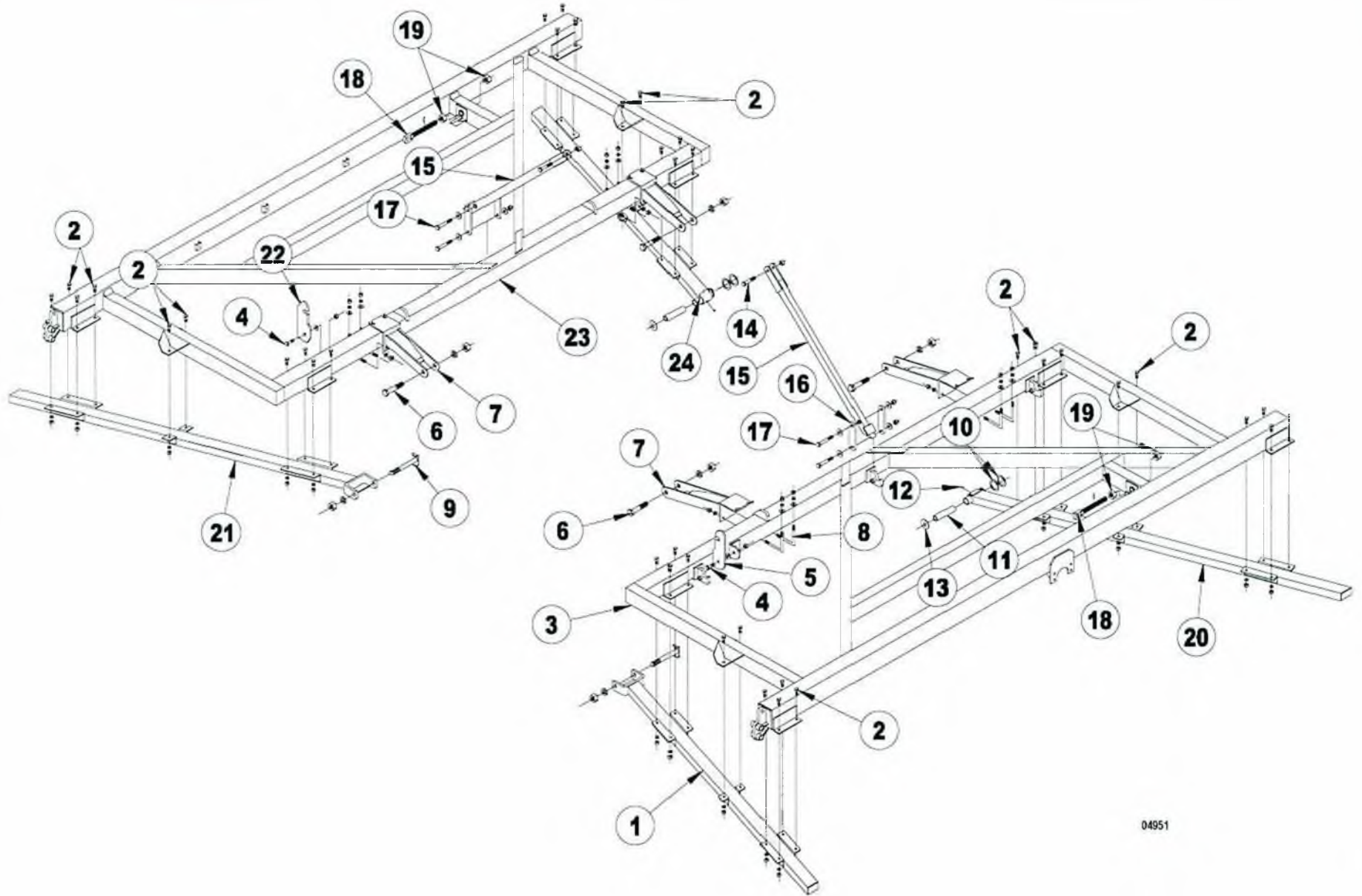
04954

TONGUE ASSEMBLY (VERSION 2)

TONGUE ASSEMBLY (VERSION 2)

ITEM	PART NO.	DESCRIPTION
1	4781R	CAST SINGLE LIP HITCH, 2" HOLE
2	FK350402	1 1/4" x 7" HEX BOLT
	FK150157	1" LOCK WASHER
	FK150144	1" HEX NUT
3	9223R	RIGHT TONGUE
4	9263R	LEFT TONGUE
5	FK150219	1 1/4" x 7 1/2" HEX BOLT
	FK150157	1 1/4" LOCK WASHER
	FK150144	1 1/4" HEX NUT
6	2555	MACHINE BUSHING, 1 1/4" ID, 1 7/8" OD
7	HCS5/16X1-1/4	5/16" x 1 1/4" HEX BOLT
	3723	5/16" LOCK WASHER
	3724	5/16" HEX NUT
8	4914R	HOSE HOLDER
9	4915R	HOSE HOLDER ROD
10	2045	1/2" x 1 3/4" HEX BOLT
	486	1/2" FLAT WASHER
	2096	1/2" LOCK NUT
11	9777	LONG TONGUE JACK, SQUARE W/TUBE MOUNT
	2378-2	TONGUE JACK PIN
12	6924	1 3/4" x 14" SPECIAL BOLT
	3164	5/16" x 2" ROLL PIN
	2036	1 3/4" SLOTTED HEX NUT
13	6874R	TONGUE MOUNT
14	6877R	LEFT ADJUSTING SCREW
15	1753	1" x 4" HEX BOLT
	1283	1" LOCK WASHER
	110	1" HEX NUT
16	6878R	ADJUSTING LINK
17	2088	1 3/4" JAM NUT
18	6876R	RIGHT ADJUSTING SCREW
	6875R	ADJUSTING LINK ASSEMBLY (ITEMS 14 - 18)
19	4845	1 1/2" x 9 1/2" HEX BOLT
	3095	1 1/2" FLAT WASHER
	2085	1 1/2" LOCK WASHER
	1978	1 1/2" HEX NUT
20	5302	PIPE CLAMP
21	474	3/8" x 2" HEX BOLT
	176	3/8" LOCK WASHER
22	6879	JAM NUT, 1 3/4"-5 HEX LH, GR 2 Z/P

P10

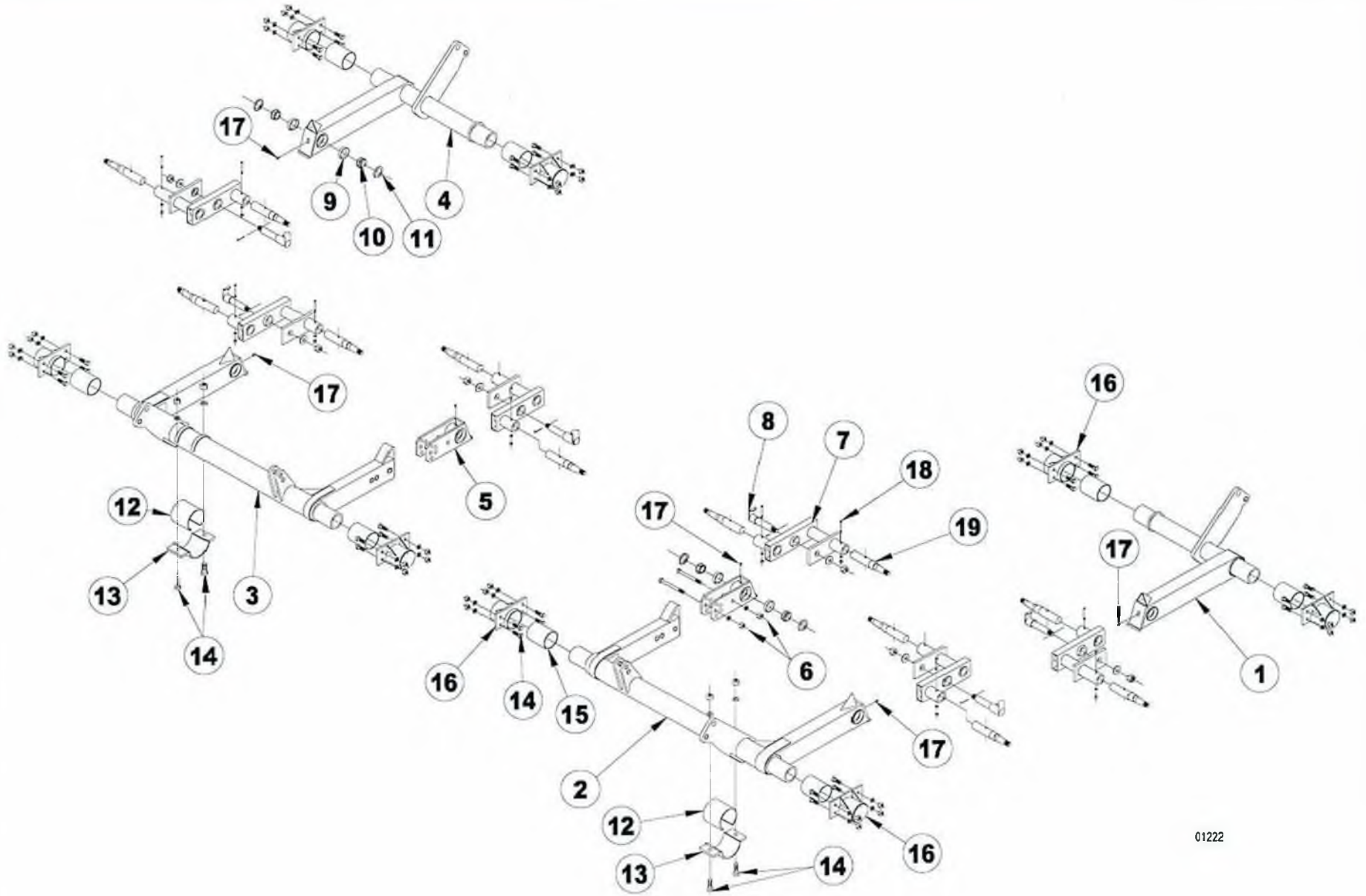


04951

WING FRAME ASSEMBLY

WING FRAME ASSEMBLY

ITEM	PART NO.	DESCRIPTION
1	6949B	42' LEFT WING FRONT GANG BAR
	6890B	45' LEFT WING FRONT GANG BAR
2	6305	3/4" x 2" HEX BOLT, GR. 8
	1040	3/4" LOCK WASHER
	106	3/4" HEX NUT
3	6859R	LEFT WING FRAME
4	1918	1" x 2 1/2" HEX BOLT
	245	1" FLAT WASHER
	3938	1" LOCK NUT
5	6899R	LEFT WING LOCK
6	1767	1 1/2" x 7 1/2" HEX BOLT
	2085	1 1/2" LOCK WASHER
	2079	1 1/2" JAM NUT
7	6909R	BOLT ON HINGE - WING FRAME
8	6912	3/4" x 7 3/4" x 7 3/4" L-BOLT
	1040	3/4" LOCK WASHER
	106	3/4" HEX NUT
9	6169B	1 1/2" x 11 1/2" HINGE BOLT
	2085	1 1/2" LOCK WASHER
	2079	1 1/2" JAM NUT
10	6286	MACHINE BUSHING, 2 1/8" I.D. x 3 1/8" O.D., 10 GA.
11	6046	HINGE BUSHING, 8 3/8"
12	2098-1	GREASE ZERK, 1/8" NPTF, 5/8" L.
13	3095	1 1/2" FLAT WASHER
14	1678	1" x 4 1/2" HEX BOLT
	3938	1" LOCK NUT
15	6908R	WING FOLD ARM
16	6049R	FLEX LINK
17	1891	1" x 5 1/2" HEX BOLT
	FK150173	1" FLAT WASHER
	3938	1" LOCK NUT
18	4622	ADJUSTABLE CYLINDER BLOCK
	4623	GUIDE PIN
19	2079	1 1/2" JAM NUT
20	6951B	42' LEFT WING REAR GANG BAR
	6892B	45' LEFT WING REAR GANG BAR
21	6948B	42' RIGHT WING FRONT GANG BAR
	6889B	45' RIGHT WING FRONT GANG BAR
22	6898R	RIGHT WING LOCK
23	6858R	RIGHT WING FRAME
24	6950B	42' RIGHT WING REAR GANG BAR
	6891B	45' RIGHT WING REAR GANG BAR

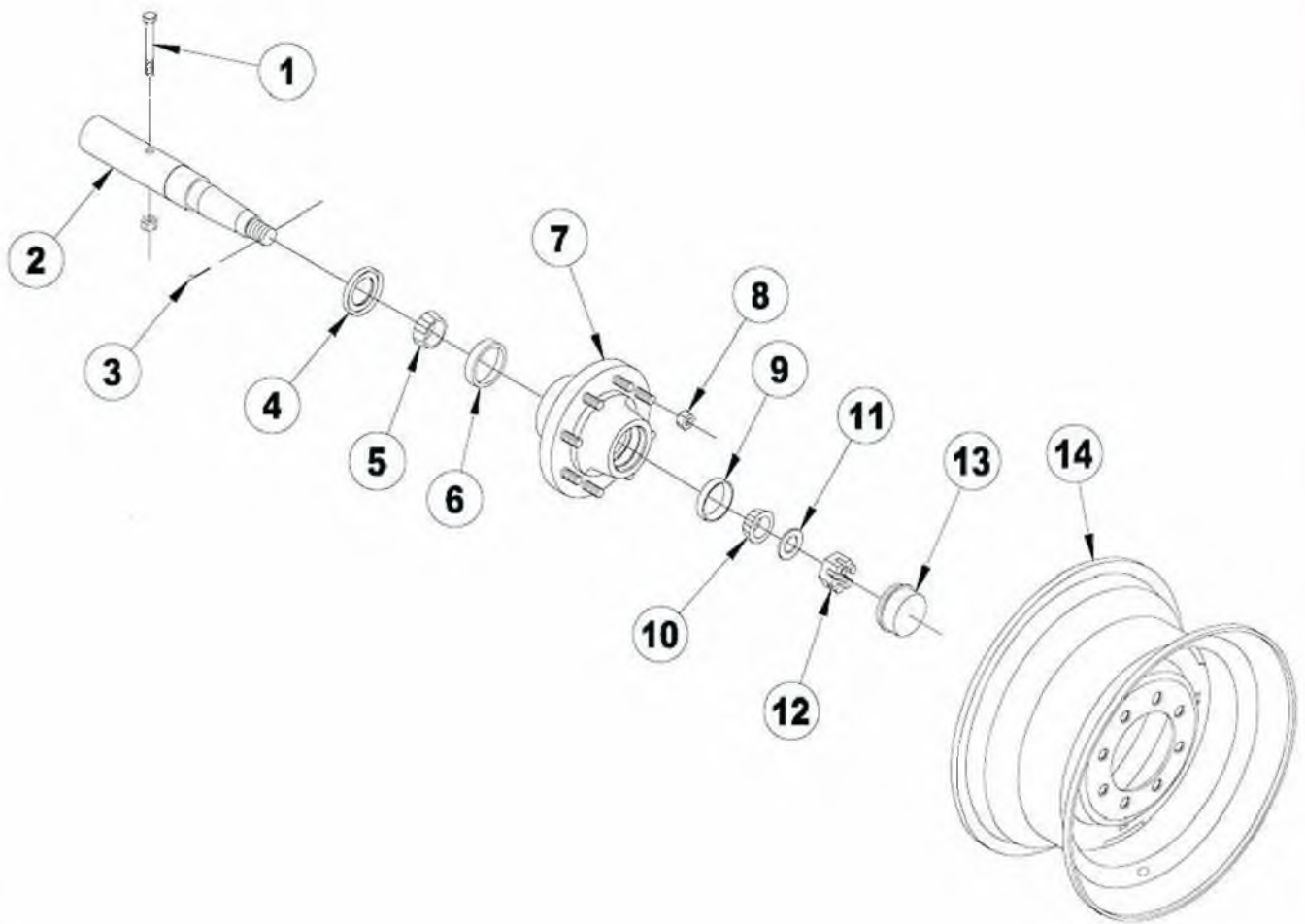


01222

TANDEM LIFT AXLE ASSEMBLY

TANDEM LIFT AXLE ASSEMBLY

ITEM	PART NO.	DESCRIPTION
1	6883R	LEFT WING LIFT
2	6881R	LEFT CENTER LIFT
3	6880R	RIGHT CENTER LIFT
4	6882R	RIGHT WING LIFT
5	6884R	ADJUSTABLE AXLE
6	1891	1" x 5 1/2" HEX BOLT
	1283	1" LOCK WASHER
	110	1" HEX NUT
7	6303R	TANDEM PIVOT (2 1/4" SPINDLE)
8	6121R	2" x 10 3/8" TANDEM PIVOT SPINDLE
	3066	7/32" x 1 1/2" COTTER PIN
	245	1" FLAT WASHER
	2992	1" SLOTTED HEX NUT
9	3062	WALKING BEAM RACE (332)
10	3061	WALKING BEAM BEARING (342A)
11	3063	WALKING BEAM SEAL (NAT. 204035 C/R 22870)
12	6425	LIFT BEARING (SPLIT)
13	6864R	BEARING CAP, 2 HOLE
14	1220	3/4" x 2" HEX BOLT
	1040	3/4" LOCK WASHER
	106	3/4" HEX NUT
15	6150	LIFT BEARING
16	6167R	BEARING CAP, 4 HOLE
17	2098-5	GREASE ZERK, 1/8" NPTF, 1 1/4" L.
18	2569	7/16" x 4" HEX BOLT
	302	7/16" LOCK WASHER
	303	7/16" HEX NUT
19	3687	2 1/4" x 14" SPINDLE, TANDEM TRANSPORT

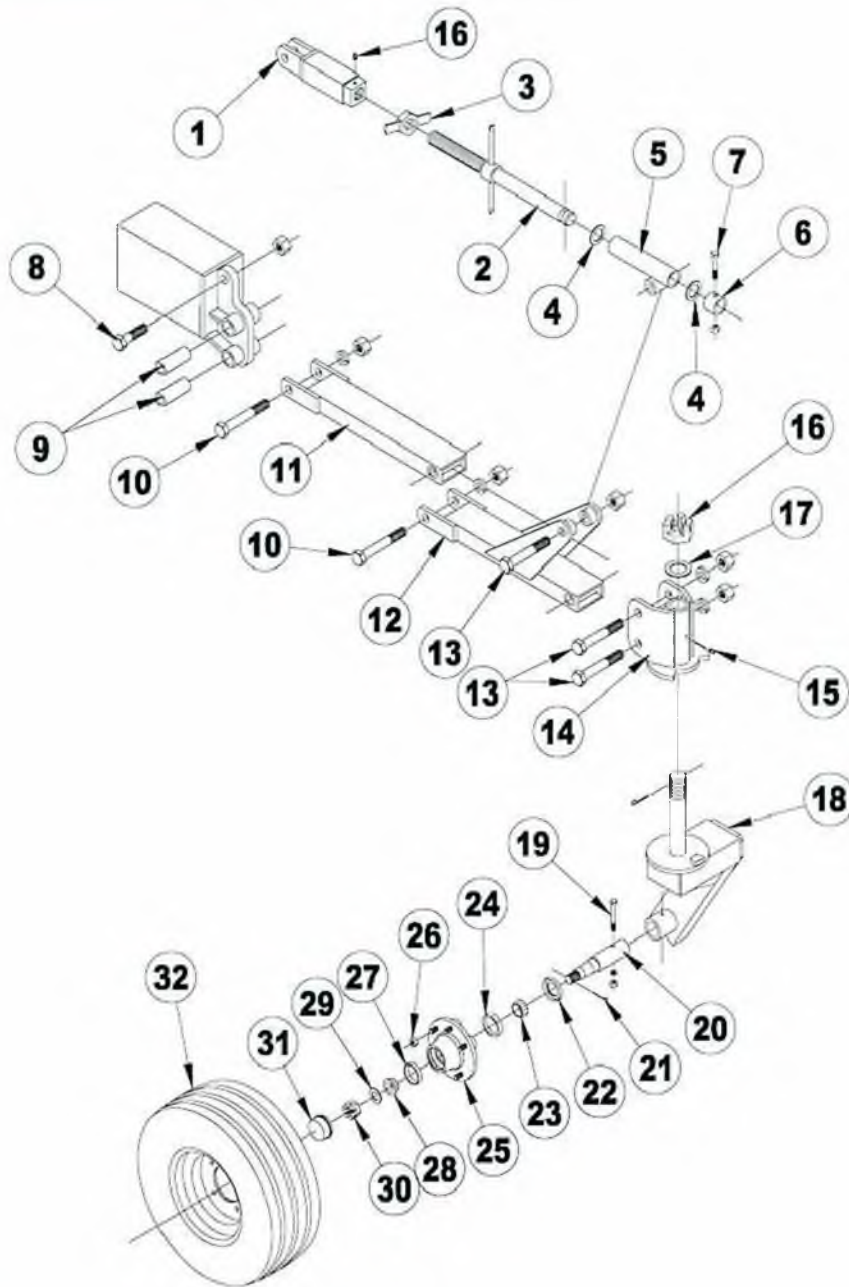


00809

EIGHT BOLT HUB ASSEMBLY

EIGHT BOLT HUB ASSEMBLY

ITEM	PART NO.	DESCRIPTION
1	2569	7/16" x 4" HEX BOLT
	302	7/16" LOCK WASHER
	303	7/16" HEX NUT
2	3687	2 1/4" x 14" SPINDLE, TANDEM TRANSPORT
3	3066	7/32" x 1 1/2" COTTER PIN
4	3301	TRIPLE LIP SEAL
5	3683	INNER BEARING (LM603049)
6	3684	INNER RACE (LM603011)
7	3685	EIGHT BOLT HUB
	3686	EIGHT BOLT HUB ASSEMBLY (ITEMS 3 THRU 13)
8	3118	9/16" LUG BOLT
	3117	9/16" LUG NUT
9	1605	OUTER RACE (LM67010)
10	1606	OUTER BEARING (LM67048)
11	3303	1 1/32" I.D. x 1 3/4" O.D. WASHER
12	3302	1" SLOTTED FULL NUT
13	1610	DUST CAP
14	3688Y	WHEEL, 15 x 10, 8 BOLT
	5578	TIRE, 12.5L x 15, 12 PLY (GY-FI)
	5555Y	TIRE, 12.5L, 12 PLY WITH 15 x 10 WHEEL ASSEMBLY, 8 BOLT (GY-FI)



03888

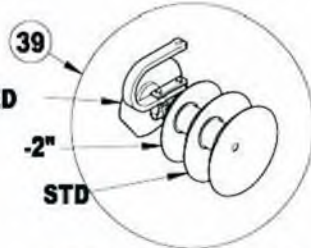
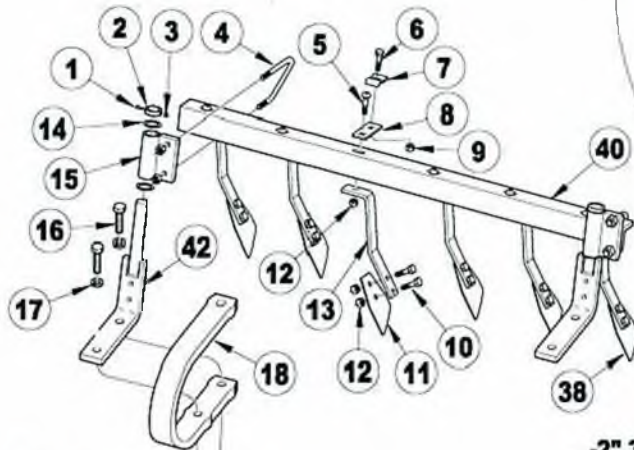
GAUGE WHEEL ASSEMBLY

ITEM	PART NO.	DESCRIPTION
1	2526R	FEMALE LINKAGE
2	6296	CONNECTING LINK SCREW
3	2519	1 1/2" WING NUT
4	3095	FLAT WASHER, 1 1/2" I.D. x 2 1/4" O.D.
5	6298R	CONNECTING LINK MOUNT
6	6297R	CONNECTING LINK COLLAR
7	1304	1/2" x 2 3/4" HEX BOLT
	2096	1/2" LOCK NUT
	6287R	CONNECTING LINK ASSEMBLY (ITEMS 1 - 7)

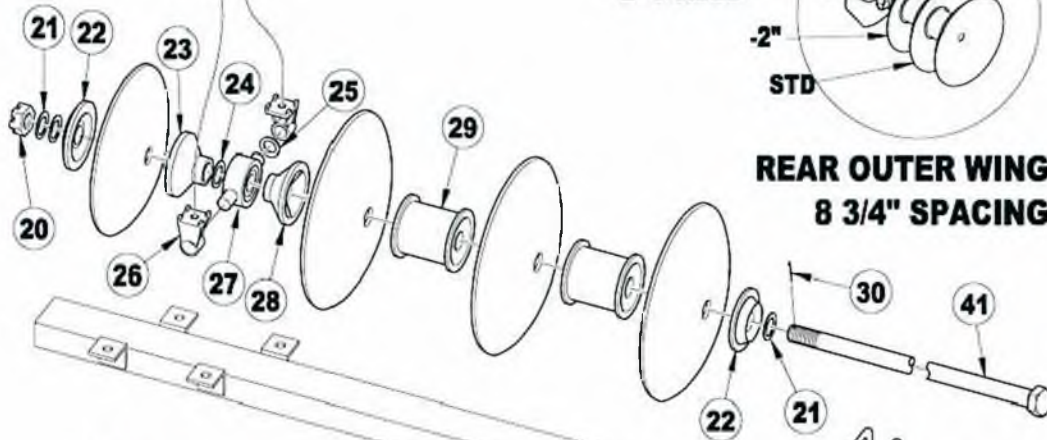
ITEM	PART NO.	DESCRIPTION
8	155	1" x 3 1/2" HEX BOLT
	3938	1" LOCK NUT
9	5197	LOOSE BUSHING
10	FK150052	1" x 6" HEX BOLT
	1283	1" LOCK WASHER
	110	1" HEX NUT
11	5195R	UPPER LINK
12	5196R	LOWER LINK
13	1282	1" x 6 1/2" HEX BOLT
	1283	1" LOCK WASHER
	110	1" HEX NUT
14	5830R	PIVOT PLATE
15	2098-1	GREASE ZERK, 1/8" NPTF, 5/8" L.
16	2036	1 3/4" SLOTTED NUT
17	2756	1 13/16" I.D. x 2 13/16" O.D. FLAT WASHER
18	5831R	H. D. GAUGE WHEEL AXLE
	108	5/16" x 2 1/2" COTTER PIN
19	2585	7/16" x 3 1/2" HEX BOLT
	302	7/16" LOCK WASHER
	303	7/16" HEX NUT
20	3309	GAUGE WHEEL SPINDLE, 1 3/4" x 8 1/2"
21	1609	3/16" x 1 1/2" COTTER PIN
22	1799	TRIPLE LIP SEAL (C/R 17618)
23	1602	INNER BEARING (LM48548)
24	1603	INNER RACE (LM48510)
25	1604	FIVE BOLT HUB WITH RACES
	2799	FIVE BOLT HUB ASSEMBLY (ITEMS 22 - 32)
26	1611-1	1/2" x 2" LUG BOLT
	1611	1/2" LUG NUT
27	1605	OUTER RACE (LM67010)
28	1606	OUTER BEARING (LM67048)
29	3303	1 1/32" I.D. x 1 3/4" O.D. WASHER
30	3302	1" SLOTTED FULL NUT
31	1610	DUST CAP
32	2390Y	WHEEL, 6 x 10
	2801Y	TIRE, 20.5 x 8 x 10 WHEEL ASSEMBLY
	2391	TIRE, 20.5 x 8 x 10
	2392	TUBE, 20.5 x 8 x 10
	5833R	GAUGE WHEEL ASSEMBLY WITH STOP

Version 1 C-Flex & Bearing Assembly

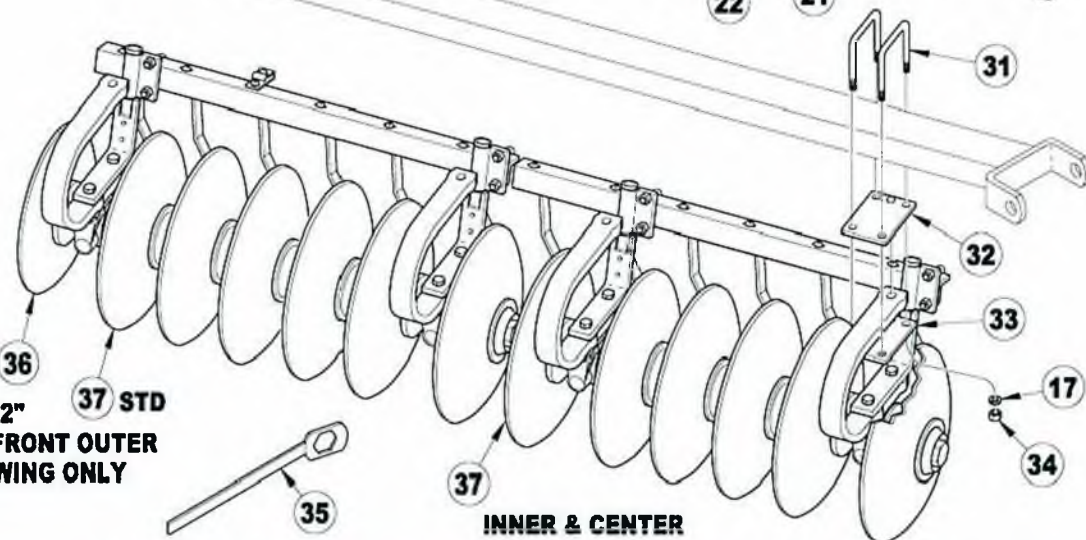
Used 1/2" Shim (#19)
& 3/4" x 4" bolts (#16)
& different bearing
mount (#26)



REAR OUTER WING
8 3/4" SPACING

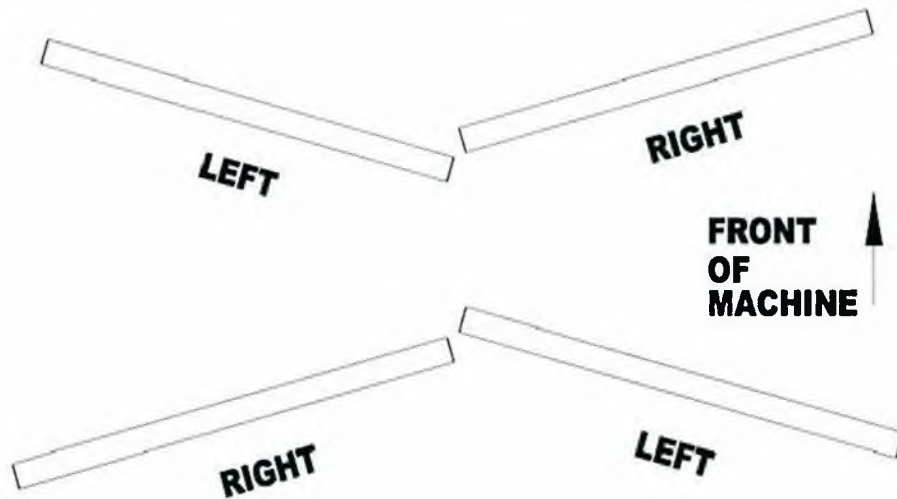


.2" FRONT OUTER WING ONLY



INNER & CENTER

RIGID SCRAPER ASSEMBLY - C-FLEX



01050

SCRAPERS AND C-FLEX SHANKS

RIGID SCRAPER ASSEMBLY - C-FLEX MOUNTED

ITEM	PART NO.	DESCRIPTION
1	3880	5/16" x 1 3/4" SHOULDER BOLT
2	7139B	LOCKING COLLAR W/O SET SCREW
3	3881	1/4" LOCK NUT
4	6773	1/2" x 4 1/8" x 2 1/8" x 3 1/4" W. U-BOLT
5	6101	1/2" x 1 3/4" CARRIAGE BOLT
6	175	3/8" x 1 1/2" HEX BOLT - FRONT GANG ONLY
7	5302	PIPE CLAMP - FRONT GANG ONLY
8	6099B	HOSE CLAMP BRACKET - FRONT GANG ONLY
9	3567	3/8" LOCK NUT - FRONT GANG ONLY
10	1823	1/2" x 1 1/4" HEX BOLT
11	6103B	SCRAPER BLADE, 4"
12	2096	1/2" LOCK NUT
13	6732B	SCRAPER ARM
14	2555	MACHINE BUSHING, 1 1/4" I.D. x 1 7/8" O.D., 10 GA.
15	7140B	SCRAPER BAR MOUNT
16	7138	3/4" x 4" HEX BOLT (Version 1)
	6307	3/4" x 3" HEX BOLT (Current Version 2)
17	1040	3/4" LOCK WASHER
18	5975B	RIGHT C-FLEX SHANK
	5976B	LEFT C-FLEX SHANK
19	3937B	SHIM, 1/2" THICK (Used on Version 1 only)
20	2036	1 3/4" SLOTTED HEX NUT
21	2037	FLAT WASHER, 1 13/16" I.D. x 2 13/16" O.D. x 1/4" THICK
22	2723B	SPRING END COLLAR, 1 3/4" BORE
23	3108B	SPOOL, LONG BEARING, 8 3/4" SP.
24	2756	FLAT WASHER, 1 13/16" I.D. x 2 13/16" O.D., 10 GA.
25	3095	FLAT WASHER, 1 1/2" I.D. x 2 1/4" O.D.

(CONTINUED)

ITEM	PART NO.	DESCRIPTION
26	3096B	TRUNNION BEARING MOUNT (Version 1)
	9691B	TRUNNION BEARING MOUNT (Current Version 2)
27	3090	TRUNNION BEARING COMPLETE
28	2816B	SPOOL, SHORT BEARING, 1 3/4" BORE
29	5980B	SPOOL, FULL, 8 3/4" SP.
30	108	COTTER PIN, 5/16" x 2 1/2"
31	6272B	3/4" x 6 1/4" x 5 13/16" W. U-BOLT
32	6148B	C-FLEX MOUNTING PLATE, TOP
33	6147B	C-FLEX MOUNTING PLATE
34	106	3/4" HEX NUT
35	2194	GANG WRENCH
36	3271	19.69" BLADE, 1 3/4" BORE, 4 GA. 1 7/8" CONCAVITY
	2686	22" BLADE, 1 3/4" BORE, 4 GA. 2 1/2" CONCAVITY
37	2686	22" BLADE, 1 3/4" BORE, 4 GA. 2 1/2" CONCAVITY
	7587	24.38" BLADE, 1 3/4" BORE, 6 GA, 2.39" CONCAVITY
	7588	24.51" BLADE, 1 3/4" BORE, 4 GA. 2 .42" CONCAVITY
38	6733B	RIGHT SCRAPER BLADE WITH ARM - FITS RIGHT FRONT OR LEFT REAR GANGS
	6734B	LEFT SCRAPER BLADE WITH ARM - FITS LEFT FRONT OR RIGHT REAR GANGS
39	2686	22" BLADE, 1 3/4" BORE, 4 GA. 2 1/2" CONCAVITY (STD.)
	3271	19.69" BLADE, 1 3/4" BORE, 4 GA. 1 7/8" CONCAVITY (-2")
	6639	18" THREE SIDED BLADE, 1 3/4" BORE, 7 GA. 1 3/4" CONCAVITY (-2")
	7587	24.38" BLADE, 1 3/4" BORE, 6 GA, 2.39" CONCAVITY (STD.)
	9820	22" BLADE, 1 3/4" BORE, 6 GA. 2 1/2" CONCAVITY
	6640	20" THREE SIDED BLADE, 1 3/4" BORE, 7 GA. 1 3/4" CONCAVITY (-2")
	7588	24.51" BLADE, 1 3/4" BORE, 4 GA. 2 .42" CONCAVITY
	2686	22" BLADE, 1 3/4" BORE, 4 GA. 2 1/2" CONCAVITY (STD.)
	6641	20" THREE SIDED BLADE, 1 3/4" BORE, 4 GA. 2" CONCAVITY (-2")

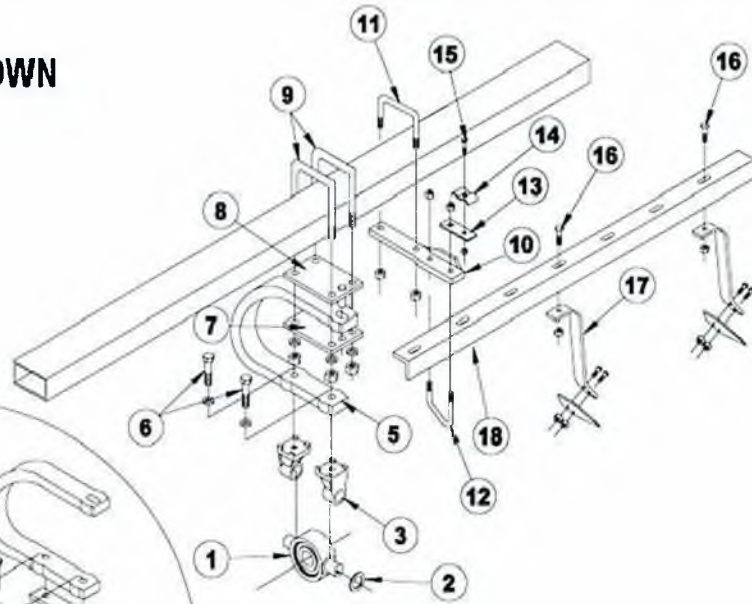
(CONTINUED)

RIGID SCRAPER BARS, 8 3/4" SPACING

40	7144B	42' & 45' RIGHT CENTER FRONT, 7 HOLE
	7145B	42' & 45' LEFT CENTER FRONT, 7 HOLE
	7143B	42' & 45' RIGHT CENTER REAR, 6 HOLE
	7142B	42' & 45' LEFT CENTER REAR, 6 HOLE
	7142B	42' RIGHT WING FRONT, 6 HOLE
	7143B	42' LEFT WING FRONT, 6 HOLE
	7148B	42' & 45' RIGHT WING FRONT, 9 HOLE
	7149B	42' & 45' LEFT WING FRONT, 9 HOLE
	7146B	45' RIGHT WING FRONT, 8 HOLE
	7147B	45' LEFT WING FRONT, 8 HOLE
	7149B	42' & 45' RIGHT WING REAR, 9 HOLE
	7148B	42' & 45' LEFT WING REAR, 9 HOLE
	7153B	45' RIGHT WING REAR, 11 HOLE
	7152B	45' LEFT WING REAR, 11 HOLE

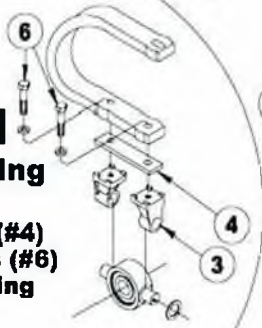
ITEM	PART NO.	DESCRIPTION	7 GA.	4 GA.
41	3897	42' & 45' CF, 1 3/4" SHAFT, 8 3/4" SP.	119 1/2"	
	6001	42' & 45' CR, 1 3/4" SHAFT, 8 3/4" SP.	111"	
	6927	42' & 45' CF, 1 3/4" SHAFT, 8 3/4" SP.		120 1/2"
	6002	42' & 45' CR, 1 3/4" SHAFT, 8 3/4" SP.		112"
	3001	42' IFW, 1 3/4" SHAFT, 8 3/4" SP.	49 3/4"	
	7135	42' OFW, 1 3/4" SHAFT, 8 3/4" SP.	84 3/4"	
	5994	42, IRW & ORW, 1 3/4" SHAFT, 8 3/4" SP.	76"	
	5982	42' IFW, 1 3/4" SHAFT, 8 3/4" SP.		50 1/4"
	5988	42' OFW, 1 3/4" SHAFT, 8 3/4" SP.		85 1/2"
	5995	42' IRW & ORW, 1 3/4" SHAFT, 8 3/4" SP.		76 1/2"
	5989	45' IFW, 1 3/4" SHAFT, 8 3/4" SP.	67 1/4"	
	7135	45' OFW, 1 3/4" SHAFT, 8 3/4" SP.	84 3/4"	
	5994	45' IRW, 1 3/4" SHAFT, 8 3/4" SP.	76"	
	3954	45' ORW, 1 3/4" SHAFT, 8 3/4" SP.	93 1/2"	
	5991	45' IFW, 1 3/4" SHAFT, 8 3/4" SP.		68"
	5988	45' OFW, 1 3/4" SHAFT, 8 3/4" SP.		85 1/2"
	5995	45' IRW, 1 3/4" SHAFT, 8 3/4" SP.		76 1/2"
	5998	45' ORW, 1 3/4" SHAFT, 8 3/4" SP.		94 1/4"
42	7141B	SCRAPER BAR ANCHOR, RIGID		

FRONT GANG SHOWN

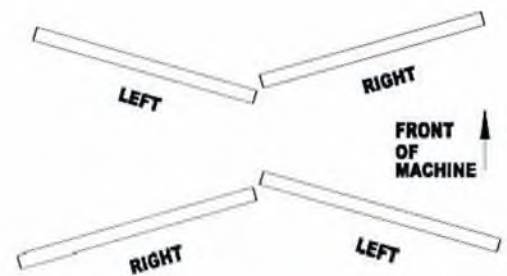


**Version 1
C-Flex & Bearing
Assembly**

Used 1/2" Shim (#4)
& 3/4" x 4" bolts (#6)
& different bearing
mount (#3)



00757



SCRAPERS AND C-FLEX SHANKS

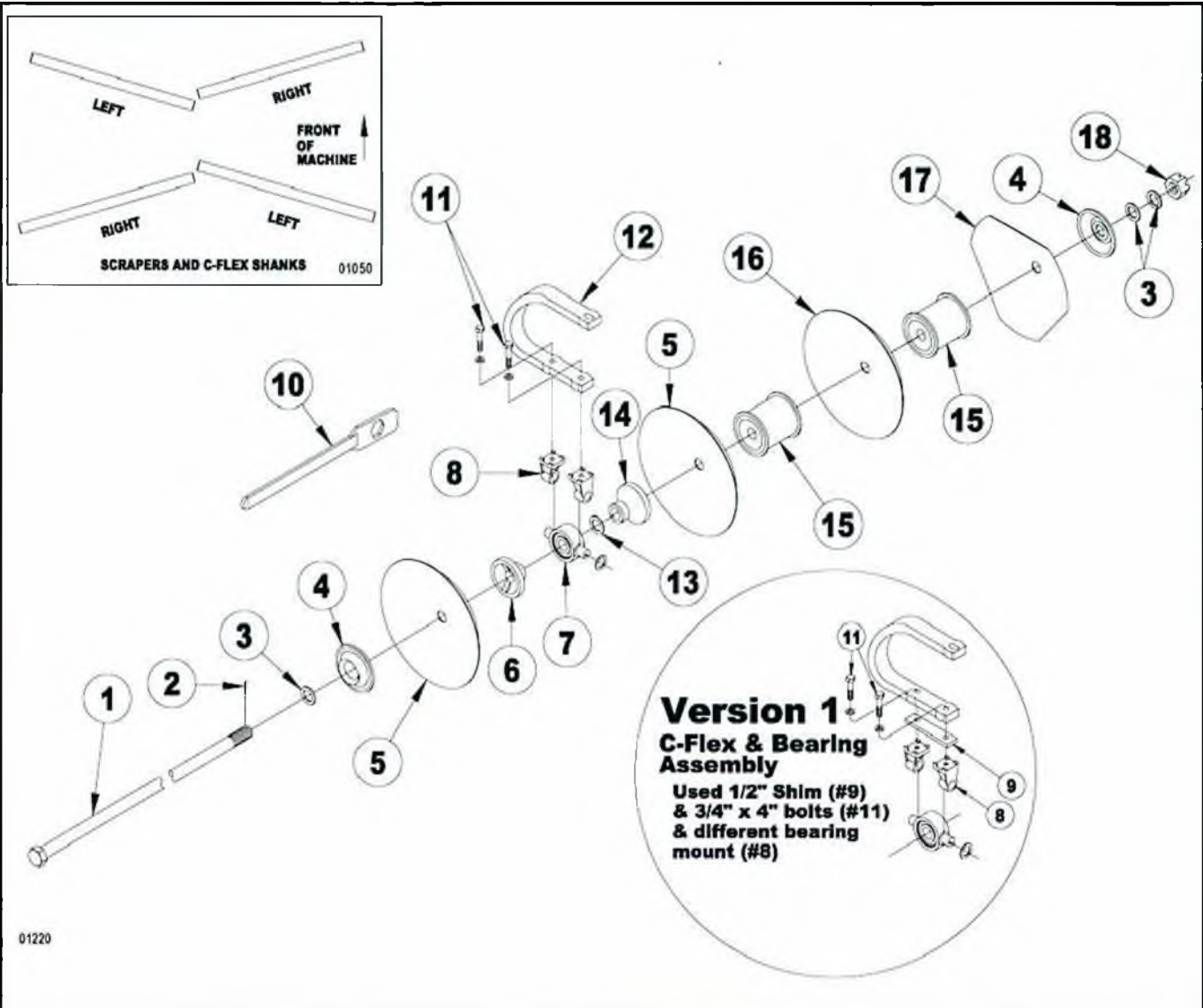
01050

RIGID SCRAPER ASSEMBLY

ITEM	PART NO.	DESCRIPTION
1	3090	TRUNNION BEARING COMPLETE
2	3095	FLAT WASHER, 1 1/2" I.D. x 2 1/4" O.D.
3	3096B	TRUNNION BEARING MOUNT (Version 1)
	9691B	TRUNNION BEARING MOUNT (Current Version 2)
4	3937B	SHIM, 1/2" THICK (Used on Version 1 only)
5	5975B	RIGHT C-FLEX SHANK
	5976B	LEFT C-FLEX SHANK
6	7138	3/4" x 4" HEX BOLT (Version 1)
	6307	3/4" x 3" HEX BOLT (Current Version 2)
	1040	3/4" LOCK WASHER
7	6147B	C-FLEX MOUNTING PLATE
8	6148B	C-FLEX MOUNTING PLATE, TOP
9	6272B	3/4" x 6 1/4" x 5 13/16" W. U-BOLT
	1040	3/4" LOCK WASHER
	106	3/4" HEX NUT
10	6796B	SCRAPER BAR ANCHOR
11	2815	5/8" x 4 1/2" x 5 11/16" W. U-BOLT
	669-1	5/8" LOCK NUT

RIGID SCRAPER ASSEMBLY

ITEM	PART NO.	DESCRIPTION
12	6773	1/2" x 4 1/8" x 2 1/8" x 3 1/4" W. U-BOLT
	2096	1/2" LOCK NUT
13	6099B	HOSE CLAMP BRACKET - FRONT GANG ONLY
14	5302	PIPE CLAMP - FRONT GANG ONLY
15	175	3/8" x 1 1/2" HEX BOLT - FRONT GANG ONLY
	3567	3/8" LOCK NUT - FRONT GANG ONLY
16	6101	1/2" x 1 3/4" CARRIAGE BOLT
	2096	1/2" LOCK NUT
17	6733B	RIGHT SCRAPER BLADE WITH ARM - FITS RIGHT FRONT OR LEFT REAR GANGS
	6734B	LEFT SCRAPER BLADE WITH ARM - FITS LEFT FRONT OR RIGHT REAR GANGS
	6732B	SCRAPER ARM
	6103B	SCRAPER BLADE, 4"
	1823	1/2" x 1 1/4" HEX BOLT
	2096	1/2" LOCK NUT
RIGID SCRAPER BARS, 8.75" SPACING		
18	6092B	42' & 45' RIGHT & LEFT CENTER FRONT, 7 HOLE
	6091B	42' & 45' RIGHT & LEFT CENTER REAR, 6 HOLE
		42' RIGHT & LEFT WING FRONT, 6 HOLE
	6094B	42' & 45' RIGHT & LEFT WING FRONT, 9 HOLE
		42' & 45' RIGHT & LEFT WING REAR, 9 HOLE
	6093B	45' RIGHT & LEFT WING FRONT, 8 HOLE
	6096B	45' RIGHT & LEFT WING REAR, 11 HOLE



DISC GANG ASSEMBLY

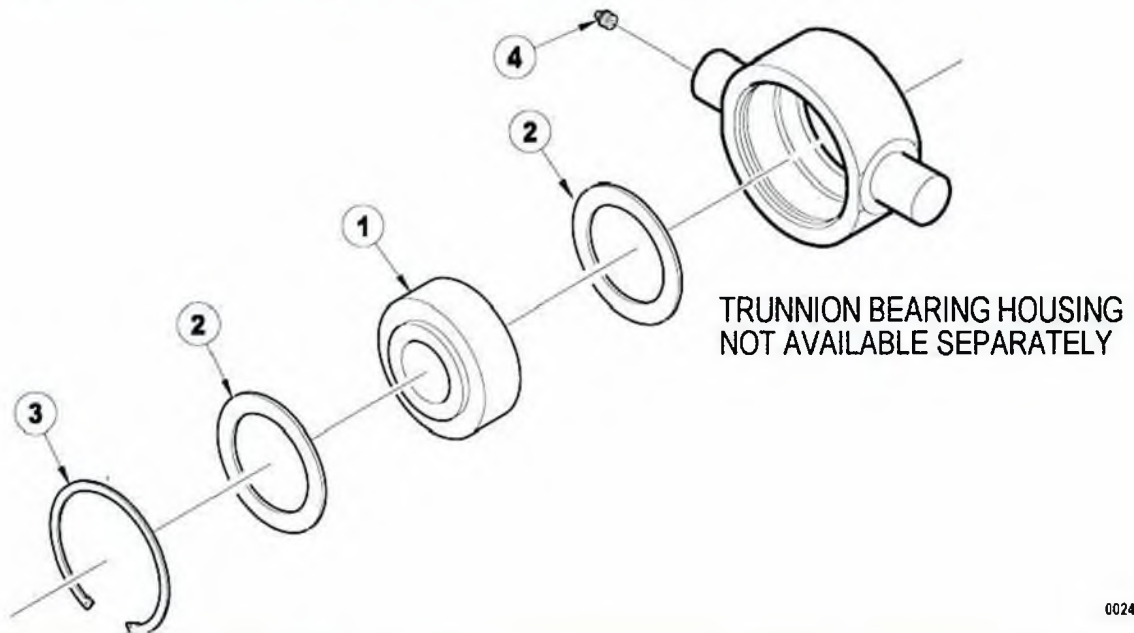
ITEM	PART NO.	DESCRIPTION	6 GA. BLADES	4 GA. BLADES
1	3897	42' & 45' CF, 1 3/4" SHAFT, 8.75" SP.	119 1/2"	
	6001	42' & 45' CR, 1 3/4" SHAFT, 8.75" SP.	111"	
	6927	42' & 45' CF, 1 3/4" SHAFT, 8.75" SP.		120 1/2"
	6002	42' & 45' CR, 1 3/4" SHAFT, 8.75" SP.		112"
	3001	42' IFW, 1 3/4" SHAFT, 8.75" SP.	49 3/4"	
	7135	42' OFW, 1 3/4" SHAFT, 8.75" SP.	84 3/4"	
	5994	42, IRW & ORW, 1 3/4" SHAFT, 8.75" SP.	76"	
	5982	42' IFW, 1 3/4" SHAFT, 8.75" SP.		50 1/4"
	5988	42' OFW, 1 3/4" SHAFT, 8.75" SP.		85 1/2"
	5995	42' IRW & ORW, 1 3/4" SHAFT, 8.75" SP.		76 1/2"

ITEM	PART NO.	DESCRIPTION	6 GA. BLADES	4 GA. BLADES
	5989	45' IFW, 1 3/4" SHAFT, 8.75" SP.	67 1/4"	
	7135	45' OFW, 1 3/4" SHAFT, 8.75" SP.	84 3/4"	
	5994	45' IRW, 1 3/4" SHAFT, 8.75" SP.	76"	
	3954	45' ORW, 1 3/4" SHAFT, 8.75" SP.	93 1/2"	
	5991	45' IFW, 1 3/4" SHAFT, 8.75" SP.		68"
	5988	45' OFW, 1 3/4" SHAFT, 8.75" SP.		85 1/2"
	5995	45' IRW, 1 3/4" SHAFT, 8.75" SP.		76 1/2"
	5998	45' ORW, 1 3/4" SHAFT, 8.75" SP.		94 1/4"

ITEM	PART NO.	DESCRIPTION
2	108	COTTER PIN, 5/16" x 2 1/2"
3	2037	FLAT WASHER, 1 13/16" I.D. x 2 13/16" O.D. x 1/4" THICK
4	2723B	SPRING END COLLAR, 1 3/4" BORE
5	2686	22" BLADE, 1 3/4" BORE, 4 GA. 2 1/2" CONCAVITY
	7587	24.38" BLADE, 1 3/4" BORE, 6 GA., 2.39" CONCAVITY
	7588	24.51" BLADE, 1 3/4" BORE, 4 GA. 2.42" CONCAVITY
6	2816B	SPOOL, SHORT BEARING, 1 3/4" BORE
7	3090	TRUNNION BEARING COMPLETE
	3095	1 1/2" I.D. x 2 1/2" O.D. FLAT WASHER
8	3096B	TRUNNION BEARING MOUNT (Version 1)
	9691B	TRUNNION BEARING MOUNT (Current Version 2)
9	3937B	SHIM, 1/2" THICK (Used on Version 1 only)
10	2194	GANG WRENCH
11	7138	3/4" x 4" HEX BOLT (Version 1)
	6307	3/4" x 3" HEX BOLT (Current Version 2)
	1040	3/4" LOCK WASHER
12	5975B	RIGHT C-FLEX SHANK
	5976B	LEFT C-FLEX SHANK
13	2756	FLAT WASHER, 1 13/16" I.D. x 2 13/16" O.D., 10 GA.
14	3108B	SPOOL, LONG BEARING, 8 3/4" SP.
15	5980B	SPOOL, FULL, 8 3/4" SP.
16	3271	19.69" BLADE, 1 3/4" BORE, 4 GA. 1 7/8" CONCAVITY
	2686	22" BLADE, 1 3/4" BORE, 4 GA. 2 1/2" CONCAVITY
	9820	22" BLADE, 1 3/4" BORE, 6 GA. 2 1/2" CONCAVITY
17	6639	18" THREE SIDED BLADE, 1 3/4" BORE, 7 GA. 1 3/4" CONCAVITY
	6640	20" THREE SIDED BLADE, 1 3/4" BORE, 7 GA. 1 3/4" CONCAVITY
	6641	20" THREE SIDED BLADE, 1 3/4" BORE, 4 GA. 2" CONCAVITY
18	2036	1 3/4" SLOTTED HEX NUT

TRUNNION BEARING REPLACEMENT PARTS

Due to circumstances beyond our control we have been forced to obtain complete bearings and related parts from more than one supplier. Unfortunately not all of these parts are completely interchangeable. The differences are minor but important for obtaining good service life of replacement bearings. Two trunnion housings have been used which require different shield washers and bearing shield widths. The following charts indicate which parts are compatible. In situations where adequate information cannot be obtained from the customer to insure the correct combination of components we recommend replacement of the complete bearing assembly. We apologize for the inconvenience of this situation and will do our best to provide the parts you need, whichever method you choose, to service our customer.



00243

3090 TRUNNION BEARING COMPLETE

ITEM	PART NO.	DESCRIPTION
(SUNFLOWER HOUSING, BCA BEARING)		
1	3091	(The housing will be stamped with an S on the snap ring side.) TRUNNION BEARING REPLACEMENT
2	4924	
3	3094	
4	2098-1	
(SUNFLOWER HOUSING, BCA BEARING)		
1	3091	TRUNNION BEARING REPLACEMENT
2	4924	
3	4925	
4	2098-1	

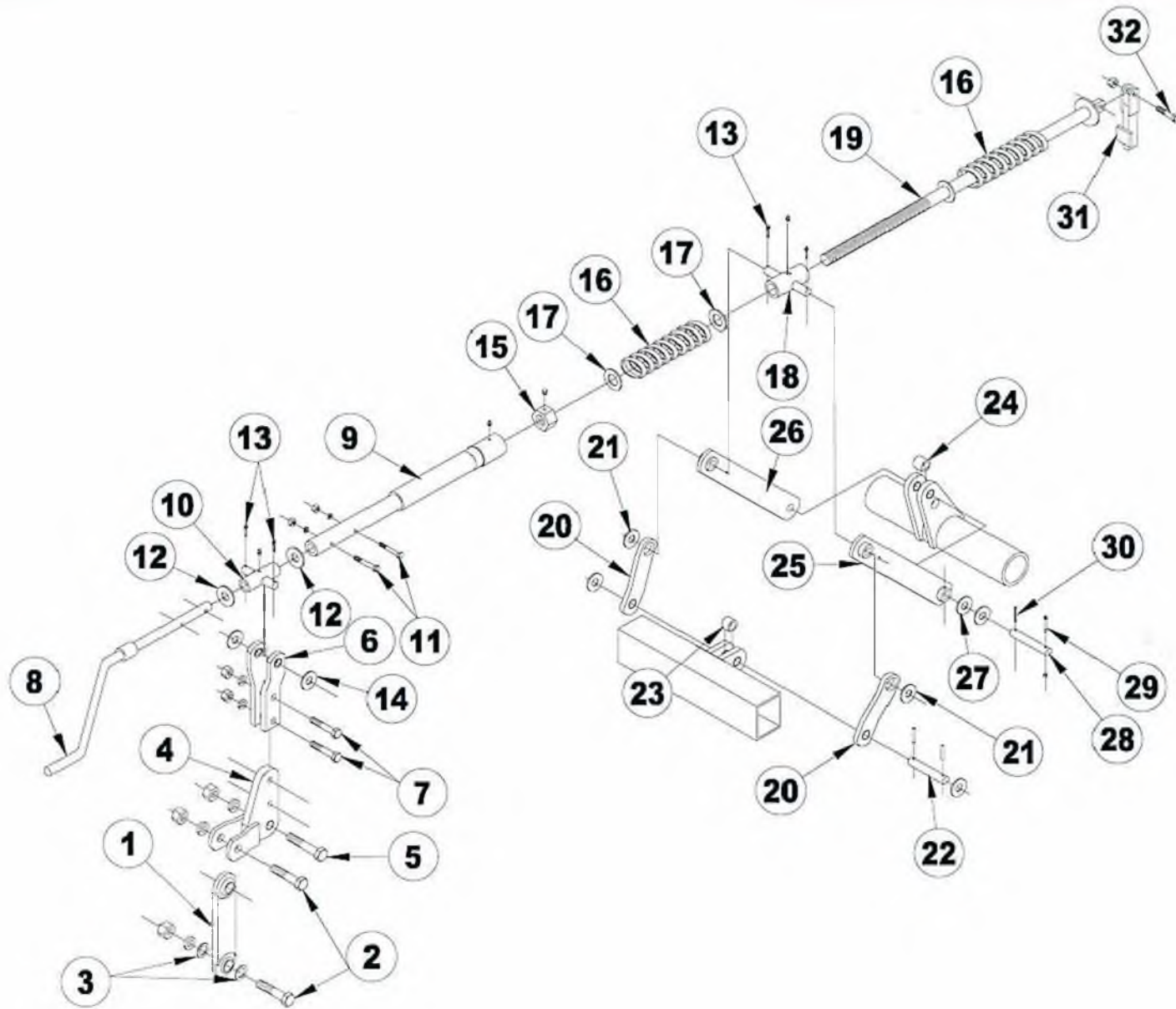
ITEM	PART NO.	DESCRIPTION
(SUNFLOWER HOUSING, SEAL MASTER BEARING)		
1	5338	TRUNNION BEARING REPLACEMENT (SEAL MASTER - P.N. SK-1507)
2	5337	TRUNNION BEARING SHIELD (SEAL MASTER)
3	4925	TRUNNION BEARING RETAINER (SUNFLOWER)
4	2098-1	1/8" GREASE ZERK
(FAFNIR HOUSING, BCA BEARING)		
1	3091	TRUNNION BEARING REPLACEMENT
2	3093	TRUNNION BEARING SHIELD
3	3094	TRUNNION BEARING RETAINER (FAFNIR)
4	2098-1	1/8" GREASE ZERK
(FAFNIR HOUSING, SEAL MASTER BEARING)		
1	5338	TRUNNION BEARING REPLACEMENT (SEAL MASTER - P.N. SK-1507)
2	3093	TRUNNION BEARING SHIELD
3	3094	TRUNNION BEARING RETAINER (FAFNIR)
4	2098-1	1/8" GREASE ZERK
(FAFNIR HOUSING, FAFNIR BEARING)		
1	5434	TRUNNION BEARING REPLACEMENT (FAFNIR - P.N. GW211PP25)
2	3093	TRUNNION BEARING SHIELD
3	3094	TRUNNION BEARING RETAINER (FAFNIR)
4	2098-1	1/8" GREASE ZERK
(SUNFLOWER HOUSING, FAFNIR BEARING)		
1	5434	TRUNNION BEARING REPLACEMENT (FAFNIR - P.N. GW211PP25)
2	5337	TRUNNION BEARING SHIELD
3	4925	TRUNNION BEARING RETAINER (SUNFLOWER)
4	2098-1	1/8" GREASE ZERK

TRUNNION BEARING SHIELD SPECIFICATIONS

3093	2.805" I.D. x 3.929" O.D. x .1345" THICK
4924	2.8375" I.D. x 3.929" O.D. x .100" THICK
5337	2.77" I.D. x 3.929" O.D. x .100" THICK

TRUNNION BEARING RETAINER THICKNESSES

3094	.109" THICK
4925	.092" THICK



STANDARD SELF LEVELER ASSEMBLY

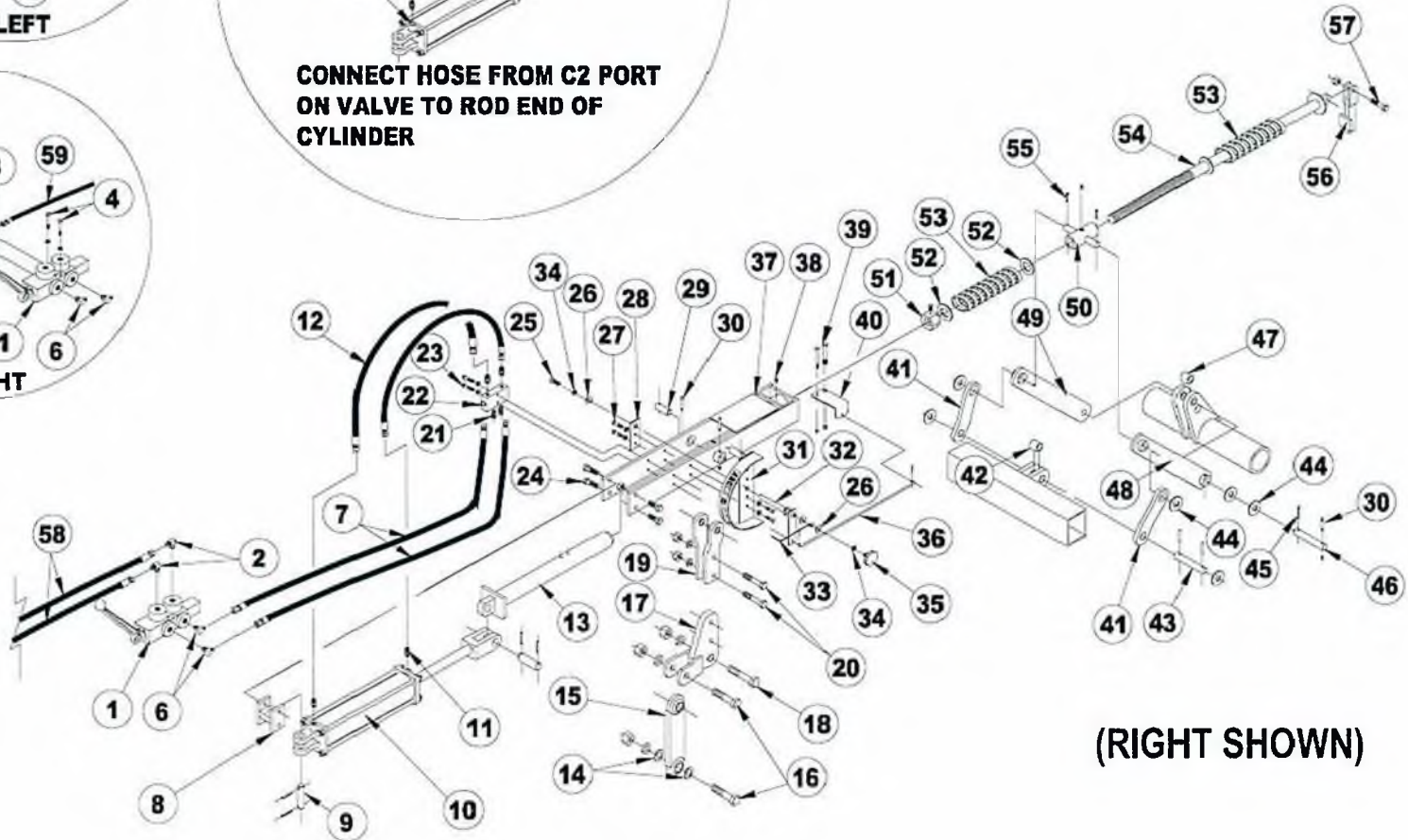
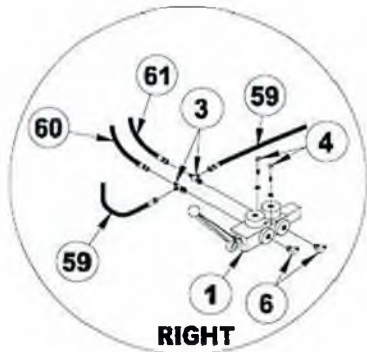
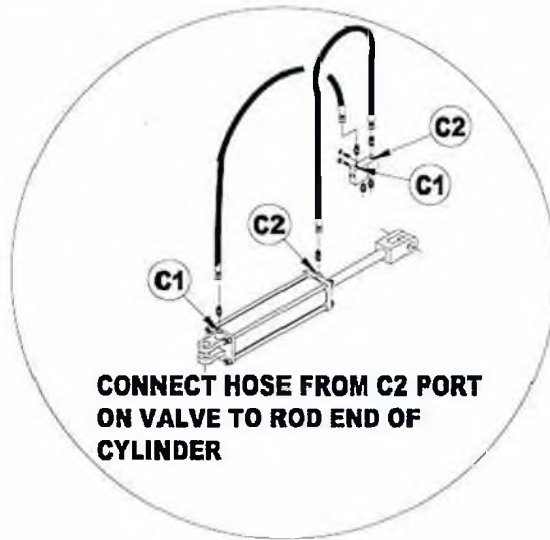
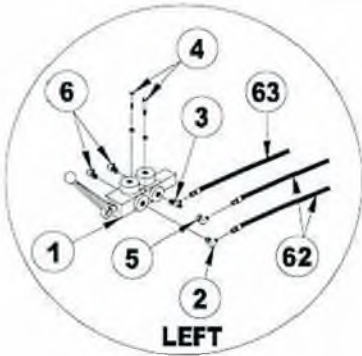
STANDARD SELF LEVELER ASSEMBLY

ITEM	PART NO.	DESCRIPTION
1	6071R	CONNECTING LINK, BALL JOINT
2	1753	1" x 4" HEX BOLT
	1283	1" LOCK WASHER
	110	1" HEX NUT
3	2073	MACHINE BUSHING
4	6075R	LEVELER "L"
	1946	WEAR BUSHING
5	1678	1" x 4 1/2" HEX BOLT
	1283	1" LOCK WASHER
	110	1" HEX NUT
6	6074R	LEVELER CROSS BRACKET
	5934	BUSHING, 5/8" L.
7	6406	3/4" x 3 1/2" HEX BOLT, 1" THD.
	1040	3/4" LOCK WASHER
	106	3/4" HEX NUT
8	6120R	LEVELER CRANK
9	6936R	34" LEVELER PIPE (RIGHT CENTER FRAME)
	6937R	60" LEVELER PIPE (LEFT CENTER FRAME)
	2098-1	GREASE ZERK, 1/8" NPTF, 5/8" L.
10	6280R	LEVELER CROSS
	2098-1	GREASE ZERK, 1/8" NPTF, 5/8" L.
11	6282	7/16" x 3" HEX BOLT
	302	7/16" LOCK WASHER
	303	7/16" HEX NUT
12	6466	MACHINE BUSHING, 14 GA.
13	1609	COTTER PIN, 3/16" x 1 1/2"
14	245	1" FLAT WASHER
15	1880	1 1/2" JAM NUT W/SET SCREW
16	6062R	COMPRESSION SPRING, 3" O.D. x 1.625" I.D.
17	2755	FLAT WASHER, 19/16" I.D. x 2 13/16" O.D.
18	6076R	LEVELER CROSS, 5"
	2098-1	GREASE ZERK, 1/8" NPTF, 5/8" L.
19	6073R	LEVELER SCREW, 43 3/8" L.
	6166R	LEVELER SCREW ASSEMBLY, ITEMS 15 - 19
20	6059R	PIVOT LINK
	5934	BUSHING, 5/8" L.
21	245	1" FLAT WASHER
22	5251	1" x 5 13/16" PIN
	245	1" FLAT WASHER
	3164	5/16" x 2" ROLL PIN
23	6078R	1 1/8" L. BUSHING

(CONTINUED)

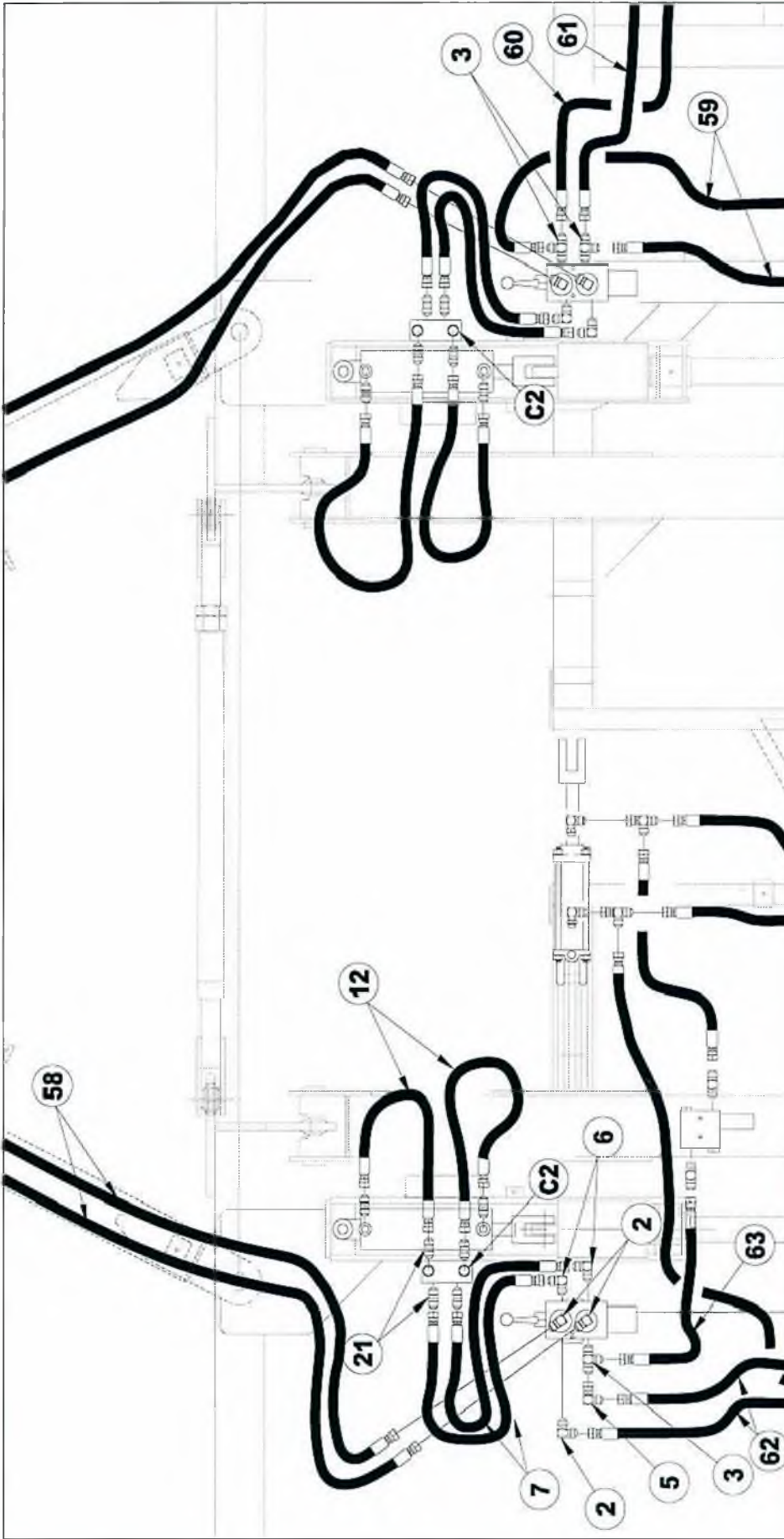
STANDARD SELF LEVELER ASSEMBLY

ITEM	PART NO.	DESCRIPTION
24	6077R	13/8" L. BUSHING
25	6067R	LEFT LIFT AXLE LINK
26	6066R	RIGHT LIFT AXLE LINK
27	245	1" FLAT WASHER
28	6171	1" x 6" PIN
29	3880	5/16" x 1 3/4" SHOULDER BOLT
	3881	1/4" LOCK NUT
30	3164	5/16" x 2" ROLL PIN
31	6065R	LEVELER SCREW ANCHOR
32	FK150058	5/8" x 2 1/2" HEX BOLT
	669-1	5/8" LOCK NUT



(RIGHT SHOWN)

HYDRAULIC SELF LEVELER ASSEMBLY (OPTIONAL)



01263

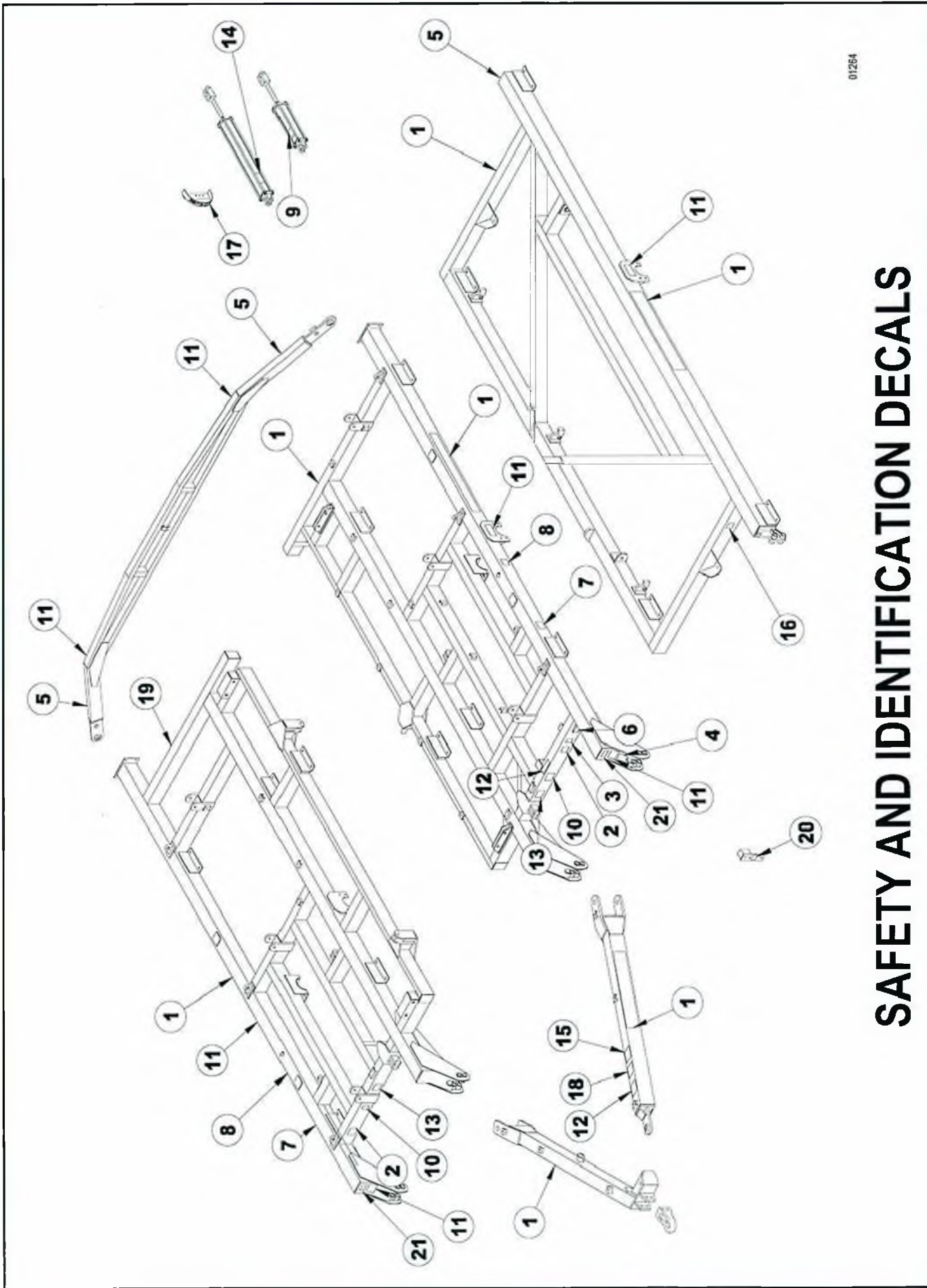
HYDRAULICS FOR HYDRAULIC SELF LEVELER

HYDRAULIC SELF LEVELER ASSY. (OPTIONAL)

ITEM	PART NO.	DESCRIPTION
1	4550	SELECTOR VALVE, 3/4"-16 SAE
2	4454	90° STRAIGHT THREAD ELBOW, 3/4"-16 M.F. x 3/4"-16 O.R.
3	4474	STRAIGHT THREAD RUN TEE, 3/4"-16 M.F. x 3/4"-16 O.R.
4	2487	3/8" x 2 1/2" HEX BOLT
	176	3/8" LOCK WASHER
5	4472	90° SWIVEL ELBOW, 3/4"-16 M.F. x 3/4"-16 F.F.
6	6935	90° STRAIGHT THREAD ELBOW, 9/16"-18 M.F. x 3/4"-16 O.R.
7	4030011	HOSE, 1/4" x 30" LONG, FEMALE ENDS
8	6740R	LEVELER HEAD MOUNTING BRACKET
9	5339	1" x 4 1/16" PIN
	3164	5/16" x 2" ROLL PIN
10	4446R	CYLINDER, 3" x 8" (20 1/4" CPC) ORB CROSS
11	6735	STRAIGHT THREAD CONNECTOR, 9/16"-18 M.F. X 3/4"-16 O.R. W/1/32" REST.
12	4024011	HOSE, 1/4" x 24" LONG, FEMALE ENDS
13	6921R	34" SELF LEVELER TUBE (RIGHT CENTER FRAME)
	6920R	60" SELF LEVELER TUBE (LEFT CENTER FRAME)
14	2073	MACHINE BUSHING
15	6071R	CONNECTING LINK, BALL JOINT
16	1753	1" x 4" HEX BOLT
	1283	1" LOCK WASHER
	110	1" HEX NUT
17	6075R	LEVELER "L"
	1946	WEAR BUSHING
18	1678	1" x 4 1/2" HEX BOLT
	1283	1" LOCK WASHER
	110	1" HEX NUT
19	6739R	LEVELER CROSS BRACKET
	5934	BUSHING, 5/8" L.
20	6406	3/4" x 3 1/2" HEX BOLT, 1" THD.
	1040	3/4" LOCK WASHER
	106	3/4" HEX NUT
21	6736	STRAIGHT THREAD CONNECTOR, 9/16"-18 M.F. X 3/4"-16 O.R.
22	6737	LOCK VALVE
23	474	3/8" x 2" HEX BOLT
	176	3/8" LOCK WASHER
24	670	5/8" x 2" HEX BOLT
	669-1	5/8" LOCK NUT
25	1823	1/2" x 1 1/4" HEX BOLT

(CONTINUED)

26	486	1/2" FLAT WASHER
27	178	3/8" x 1" HEX BOLT
	176	3/8" LOCK WASHER
28	6159R	INDICATOR CLAMP PLATE
29	6061	1" x 2 1/2" PIN
30	3880	5/16" x 1 3/4" SHOULDER BOLT
	3881	1/4" LOCK NUT
31	6156R	LEFT INDICATOR SCALE
	6922R	RIGHT INDICATOR SCALE
32	6771R	INDICATOR SHAFT
33	6158R	INDICATOR POINTER
34	113	1/2" LOCK WASHER
35	4945	ADJUSTING KNOB
36	6743R	INDICATOR ROD, 29 3/8" L.
	3571	COTTER PIN, 1/8" x 1"
37	6738R	LEVELER HEAD
38	2098-1	GREASE ZERK, 1/8" NPTF, 5/8" L.
39	3565	3/8" x 3 1/2" HEX BOLT
	3567	3/8" LOCK NUT
40	6744R	INDICATOR MOUNT
41	6059R	PIVOT LINK
	5934	BUSHING, 5/8" L.
42	6078R	11/8" L. BUSHING
43	5251	1" x 5 13/16" PIN
	245	1" FLAT WASHER
	3164	5/16" x 2" ROLL PIN
44	245	1" FLAT WASHER
45	3164	5/16" x 2" ROLL PIN
46	6171	1" x 6" PIN
47	6077R	1 3/8" L. BUSHING
48	6067R	LEFT LIFT AXLE LINK
49	6066R	RIGHT LIFT AXLE LINK
50	6076R	LEVELER CROSS, 5"
	2098-1	GREASE ZERK, 1/8" NPTF, 5/8" L.
51	1880	1 1/2" JAM NUT W/SET SCREW
52	2755	FLAT WASHER, 19/16" I.D. x 2 13/16" O.D.
53	6062R	COMPRESSION SPRING, 3" O.D. x 1.625" I.D.
54	6073R	LEVELER SCREW, 43 3/8" L.
	6166R	LEVELER SCREW ASSY., ITEMS 50 - 54
55	1609	COTTER PIN, 3/16" x 1 1/2"
56	6065R	LEVELER SCREW ANCHOR
57	FK150058	5/8" x 2 1/2" HEX BOLT
	669-1	5/8" LOCK NUT
58	4192002	HOSE, 3/8" x 192" LONG, FEMALE ENDS
59	4081002	HOSE, 3/8" x 81" LONG, FEMALE ENDS
60	4032002	HOSE, 3/8" x 32" LONG, FEMALE ENDS
61	4065002	HOSE, 3/8" x 65" LONG, FEMALE ENDS
62	4028002	HOSE, 3/8" x 28" LONG, FEMALE ENDS
63	4024002	HOSE, 3/8" x 24" LONG, FEMALE ENDS



01254

SAFETY AND IDENTIFICATION DECALS

1



2



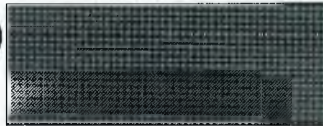
3



4



5



6

SERIAL NUMBER

7

CAUTION

WING FOLD LOCK(S) LATCH AUTOMATICALLY WHEN FOLDED. TO PREVENT MACHINE DAMAGE MANUALLY RELEASE FOLD LOCK(S) BEFORE UNFOLDING.

997395

8

WARNING

MECHANICAL OR HYDRAULIC FAILURE CAN ALLOW MACHINE TO FALL RAPIDLY.

To Prevent Injury or Machine Damage:

- Install transport lock(s) before transporting, adjusting or servicing the machine.
- Remove transport lock(s) before lowering unit.

997395

9

IMPORTANT

REPHASING HYDRAULIC SYSTEM

This unit is equipped with a repowering hydraulic system. The new pump pressure and the pressure at output of air or damage to the lift components may vary.

- In pump operation, P.O.D. (power) symbol leads in exact position and ALL lift cylinders are fully extended.
- Refer to operator's manual for instructions.

997395

10

IMPORTANT

TO INSURE EVEN WORKING DEPTH, THE LIFT WHEELS MUST BE USED TO GAUGE THE DEPTH OF EACH SECTION. TO PREVENT MACHINE DAMAGE DO NOT OPERATE WITH THE TIRES RAISED OFF THE GROUND.

997395

11

DANGER

OVER-HEAD WING HAZARD

MECHANICAL OR HYDRAULIC FAILURE CAN ALLOW WINGS TO FALL RAPIDLY.

To Prevent Serious Injury or Death:

- Stand clear of machine when upper wing folds down or unfolds.
- Keep others away.

997392

12

CAUTION

To Prevent Injury or Machine Damage:

- Avoid steady operation or maintenance.
- When servicing machine use proper tools and equipment.
- Do not operate or work on this machine without reading and understanding the operator's manual.
- If anyone is to be, contact your distributor dealer for a full manual.

997392

13

IMPORTANT

WING FOLDING / UNFOLDING INSTRUCTIONS

To Prevent Machine Damage:

FOLD AS FOLLOWS:

1. Fold left half of disc first
2. Fold right half of disc UNFOLD AS FOLLOWS:
1. Release both wing locks
2. Fold left wing (To retract center lock cylinders)
3. Unfold right wing first
4. Unfold left wing and extend center lock cylinders

997390

14

WARNING

HYDRAULIC SYSTEM HAZARD

PARTIALLY FULL CYLINDERS AND HOSES CAN ALLOW WINGS TO FALL RAPIDLY.

To Prevent Serious Injury or Death:

- Cylinders and connecting hoses must be fully extended with air before servicing system.

997393

15

WARNING

HIGH-PRESSURE FLUID HAZARD

To Prevent Serious Injury or Death:

- Release pressure on system before repairing, adjusting or disconnecting.
- Use proper tools and eye protection when working on fluid line ends or threaded fittings of P.O.D.
- Avoid all components a year away from ground surface for a 30' lift.

997311

16

42 FT.

SD042

17

REAR DOWN

A

B

C

D

E

F

G

H

REAR UP

997396

18

CAUTION

TOWING HAZARD

To Avoid Injury or Machine Damage:

- Install safety chain when securing to trailer.
- Use a safety chain with breaks (straps) rated to at least twice the gross weight of the machine.
- Pivots only enough slack for turning.

997392

19

1544

20

DEEPER

1 TURN = 1/2"

997317

21

DANGER

ELECTRIFICATION HAZARD

To Prevent Serious Injury or Death:

- Do not use a machine for contact overhead lines.
- Maintain safety clearance with any height of machine.
- Remove all persons from work in transport height.
- Maintenance may occur without P.O.D. contact.

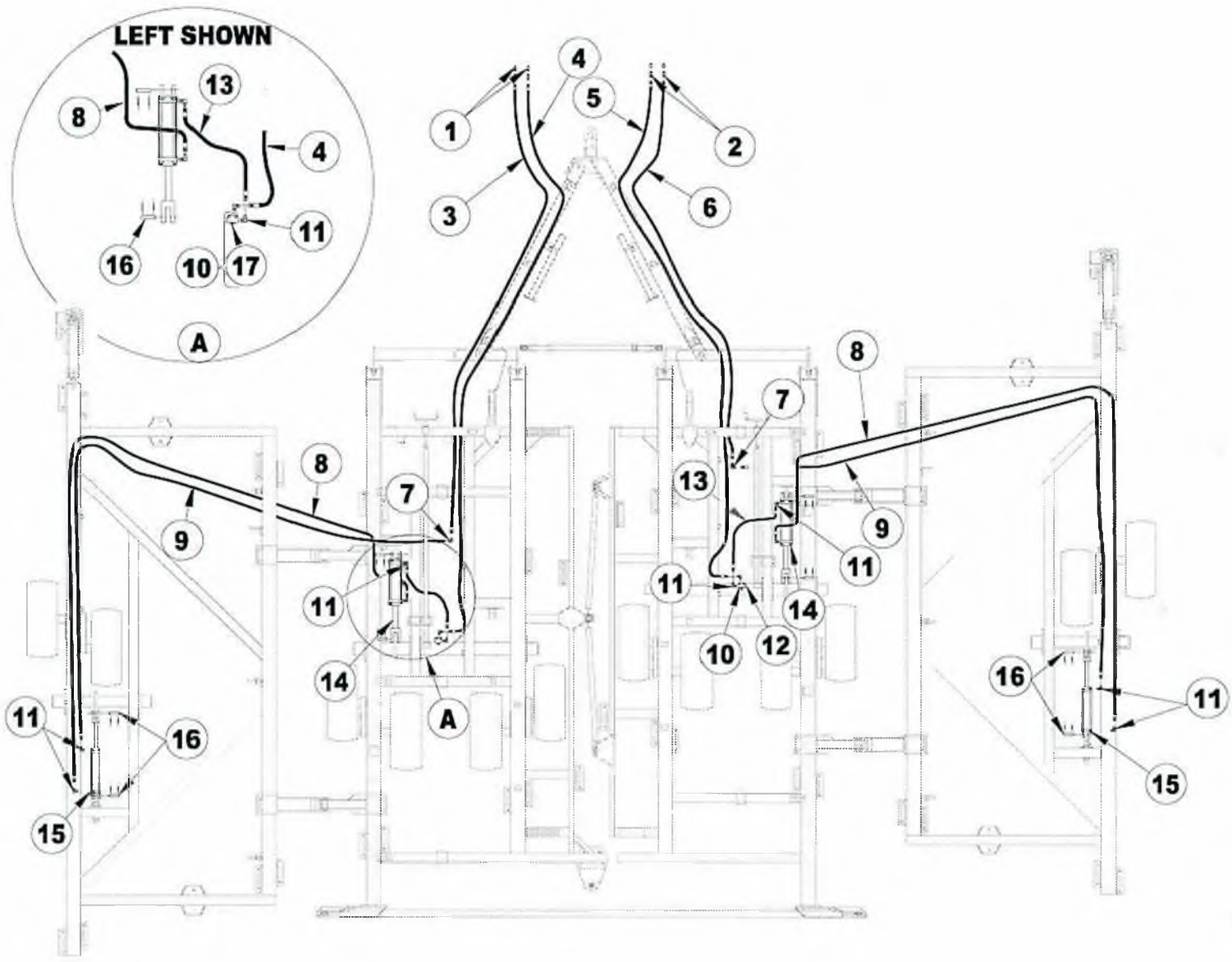
997395

SAFETY AND IDENTIFICATION DECALS

ITEM	PART NO.	DESCRIPTION
1	997002	SUNFLOWER DECAL
	997003	SUNFLOWER DECAL, 1 1/2" HIGH
2	997263	TILLAGE PROMOTES A SAFER ENVIRONMENT FOR TOMORROW
3	997246	FEMA SYMBOL
4	997041	AMBER REFLECTIVE TAPE

SAFETY AND IDENTIFICATION DECALS

ITEM	PART NO.	DESCRIPTION
5	997040	RED REFLECTIVE TAPE
6	N/A	SERIAL NUMBER PLATE
7	997395	CAUTION - WING FOLD LOCK(S) LATCH AUTOMATICALLY
8	997078	WARNING - MECHANICAL OR HYDRAULIC FAILURE CAN ALLOW
9	997052	IMPORTANT - REPHASING HYDRAULIC SYSTEM (LIFT CYLINDER)
10	997314	IMPORTANT - TO INSURE EVEN WORKING DEPTH
11	997042	DANGER - OVERHEAD WING HAZARD
12	997043	CAUTION - AVOID UNSAFE OPERATION OR MAINTENANCE.
13	997390	IMPORTANT - WING FOLDING / UNFOLDING INSTRUCTIONS
14	997309	WARNING - HYDRAULIC SYSTEM HAZARD (FOLD CYLINDER)
15	997311	WARNING - HIGH PRESSURE FLUID HAZARD
16	997112	42' DECAL (SHOWN)
	997115	45' DECAL
17	997316	LEVEL INDICATOR
18	997048	CAUTION - TOWING HAZARD
19	997388	1544 SERIES NUMBER
20	997317	DIRECTIONAL DEPTH INDICATOR
21	997045	DANGER - ELECTROCUTION HAZARD

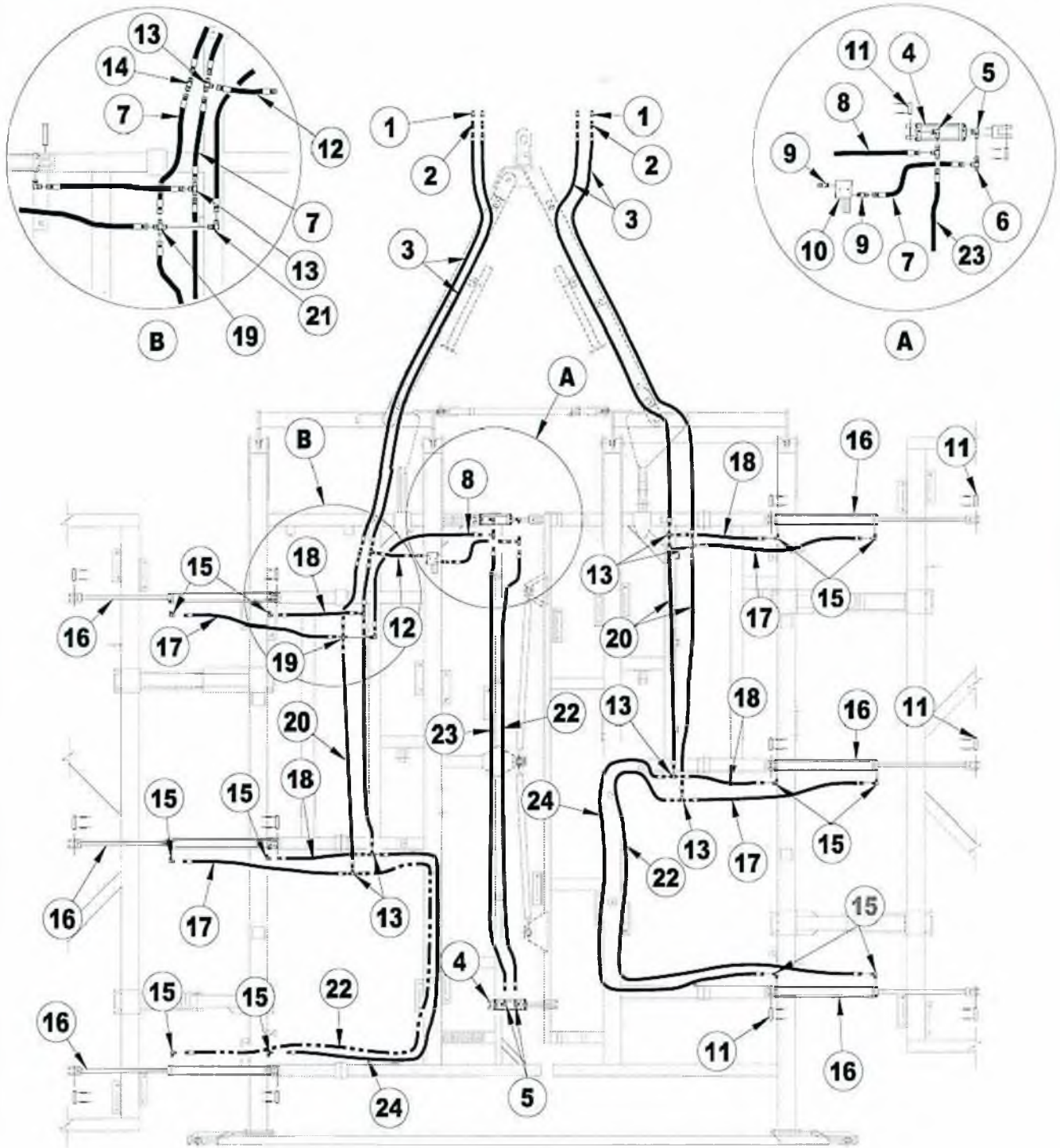


HYDRAULIC LIFT SYSTEM

HYDRAULIC LIFT SYSTEM

ITEM	PART NO.	DESCRIPTION
1	3253	HYDRAULIC COUPLER, MALE HALF
2	2426	MALE CONNECTOR, 7/8"-14 M.F. x 1/2"-14 M.P.T.
3	4232006	HOSE, 1/2" x 232" LONG, MALE TO FEMALE ENDS
4	4290005	HOSE, 1/2" x 290" LONG, FEMALE ENDS
5	4264005	HOSE, 1/2" x 264" LONG, FEMALE ENDS
6	4206006	HOSE, 1/2" x 206" LONG, MALE TO FEMALE ENDS
7	4478	90° SWIVEL ELBOW, 7/8" - 14 M.F. x 7/8"-14 F.F.
8	4315005	HOSE, 1/2" x 315" LONG, FEMALE ENDS
9	4300005	HOSE, 1/2" x 300" LONG, FEMALE ENDS
10	4732	DEPTH CONTROL VALVE ASSEMBLY
11	4457	90° STRAIGHT THREAD ELBOW, 7/8"-14 M.F. x 3/4"-16 O.R.
12	4458	PLUG, 3/4"-16 O.R.
13	4048005	HOSE, 1/2" x 48" LONG, FEMALE ENDS
14	7014R	CYLINDER, 4 1/2" x 16" MASTER W/O STROKE CONTROL (31 1/2" C.P.C.) C.R.
15	4436	CYLINDER, 4 1/4" x 16" SLAVE, W/O STROKE CONTROL (31 1/2" C.P.C.) O.R.B. CROSS
16	5341	1 1/4" x 4 5/16" PIN
	3164	5/16" x 2" ROLL PIN
17	8636-1	CARTRIDGE ASSY.

HYDRAULIC FOLD SYSTEM IS SHOWN WITHOUT THE OPTIONAL HYDRAULIC LEVELER SYSTEM.



01225

HYDRAULIC FOLD SYSTEM

DISC HARROWS

PARTS CATALOG

**SUNFLOWER®
4411 DISC RIPPER**

RECOMMENDED DEALER LIST

RECOMMENDED DEALER STOCK 89

SERVICE PARTS

AUTO RESET SHANK ASSEMBLY 73
 DECAL PLACEMENT 85
 DEPTH CONTROL INDICATOR GAUGE 71
 FRONT GANG LIFT HYDRAULICS 33
 FRONT SCRAPER BAR ASSEMBLY 55
 INDIVIDUAL FRONT BLADE ASSEMBLY (VERSION 1) 47
 INDIVIDUAL FRONT BLADE ASSEMBLY (VERSION 2) 49
 INDIVIDUAL FRONT BLADE CENTER SHANK ASSY. (LEFT FRONT GANG) 51
 LEVELER TUBE ASSEMBLY 21
 LIGHT KIT ASSEMBLY (VERSION 1) 77
 LIGHT KIT ASSEMBLY (VERSION 2) 79
 MAIN LIFT HYDRAULICS (SERIAL # 04411G20000018 & EARLIER) 25
 MAIN LIFT HYDRAULICS (SERIAL # 04411H20000019 & LATER) 27
 REAR GANG ASSEMBLY 61
 REAR GANG HYDRAULICS (SERIAL # 04411G20000018 & EARLIER) 35
 REAR GANG HYDRAULICS (SERIAL # 04411H20000019 & LATER) 37
 REAR SCRAPER BAR ASSEMBLY 65
 REAR TOW HITCH W/BALL JOINT 81
 REAR TOW HITCH W/HITCH SLIDE & BALL JOINT 83
 SAFETY SIGN PLACEMENT 87
 SOLID FRONT GANG ASSEMBLY 53
 SPINDLE & WHEEL ASSEMBLY (5, 7 & 9 SHANK WALKING TANDEM) 17
 SPINDLE & WHEEL ASSEMBLY - 5 SHANK (SINGLE WHEEL LIFT) 15
 STROKE CONTROL ASSEMBLY 23
 TONGUE ASSEMBLY 19
 TRUNNION BEARING ASSEMBLY 63
 3 1/2" X 16" CYLINDER SN12043R (VERSION 2, 10/22/03 & LATER) 31
 3 1/2" X 16" CYLINDER SN4429 (VERSION 1, PRIOR TO 10/22/03) 29
 3 3/4" X 8" CYLINDER SN12059R (VERSION 2, 6/27/03 & LATER) 45
 3 3/4" X 8" HYDRAULIC CYLINDER 4438 (VERSION 1, PRIOR TO 6/27/03) 43
 4" X 8" HYDRAULIC CYLINDER 12047R (VERSION 2, 8/12/03 & LATER) 41
 4" X 8" HYDRAULIC CYLINDER 4437 (VERSION 1, PRIOR TO 8/12/03) 39
 5 SHANK FRAME ASSEMBLY 7
 5 SHANK FRONT GANG MOUNTING 57
 5 SHANK MAIN LIFT ASSEMBLY 11
 5 SHANK REAR GANG MOUNTING 67
 7 & 9 SHANK FRAME ASSEMBLY 9
 7 & 9 SHANK FRONT GANG MOUNTING 59
 7 & 9 SHANK MAIN LIFT ASSEMBLY 13
 7 & 9 SHANK REAR GANG MOUNTING 69

4411 DISC RIPPER

3
INDEX

Part No.	Page	Grid	Part No.	Page	Grid	Part No.	Page	Grid	Part No.	Page	Grid
SNCS516114	19	1-B 7	SN12033	41	1-B 10	SN175	37	1-B 9	SN2984	81	1-B 14
SNFK150013	19	1-B 7	SN12033	45	1-B 10	SN1753	73	1-B 13	SN2984	83	1-B 14
SNFK150173	19	1-B 7	SN12040	31	1-B 9	SN176	33	1-B 9	SN2984	89	1-B 14
SNFK150173	57	1-B 11	SN12041	31	1-B 9	SN176	35	1-B 9	SN2992	11	1-B 7
SNFK150173	59	1-B 11	SN12042	31	1-B 9	SN176	37	1-B 9	SN2992	13	1-B 7
SNFK150173	67	1-B 12	SN12043	25	1-B 8	SN1810-1	19	1-B 7	SN302	15	1-B 7
SNFK150173	69	1-B 12	SN12043	27	1-B 8	SN1817	23	1-B 8	SN302	17	1-B 7
SNFK310044	47	1-B 10	SN12047	33	1-B 9	SN1823	55	1-B 11	SN302	75	1-B 13
SNFK310044	49	1-B 10	SN12047	35	1-B 9	SN1823	65	1-B 12	SN303	15	1-B 7
SNFK310044	89	1-B 14	SN12047	37	1-B 9	SN1849	21	1-B 8	SN303	17	1-B 7
SNFK310045	49	1-B 10	SN12055	41	1-B 10	SN1875	21	1-B 8	SN303	75	1-B 13
SNFK310045	89	1-B 14	SN12055	45	1-B 10	SN1880	21	1-B 8	SN3050	75	1-B 13
SNFK340051	47	1-B 10	SN12059	33	1-B 9	SN1891	19	1-B 7	SN3061	11	1-B 7
SNFK340051	49	1-B 10	SN12059	35	1-B 9	SN1918	7	1-B 6	SN3061	13	1-B 7
SNFK340090	47	1-B 10	SN1220	11	1-B 7	SN1918	9	1-B 6	SN3061	89	1-B 14
SNFK340090	49	1-B 10	SN1220	13	1-B 7	SN1935	17	1-B 7	SN3062	11	1-B 7
SNFK340090	89	1-B 14	SN12268	25	1-B 8	SN1935	89	1-B 14	SN3062	13	1-B 7
SNFK340167	15	1-B 7	SN12268	27	1-B 8	SN1936	17	1-B 7	SN3062	89	1-B 14
SNFK340167	89	1-B 14	SN1243	23	1-B 8	SN1936	89	1-B 14	SN3063	11	1-B 7
SNFK340168	15	1-B 7	SN12452	11	1-B 7	SN1937	17	1-B 7	SN3063	13	1-B 7
SNFK340168	89	1-B 14	SN12452	13	1-B 7	SN1944	17	1-B 7	SN3063	89	1-B 14
SNFK361002	73	1-B 13	SN12626	75	1-B 13	SN198	81	1-B 14	SN3066	11	1-B 7
SN10007	79	1-B 13	SN12741	19	1-B 7	SN198	83	1-B 14	SN3066	13	1-B 7
SN10012	79	1-B 13	SN12758	27	1-B 8	SN198	89	1-B 14	SN3066	15	1-B 7
SN10394	79	1-B 13	SN12758	33	1-B 9	SN1997	53	1-B 11	SN3066	17	1-B 7
SN104	21	1-B 8	SN12758	37	1-B 9	SN2008	61	1-B 12	SN3068	19	1-B 7
SN1040	7	1-B 6	SN12759	19	1-B 7	SN2036	53	1-B 11	SN3090	53	1-B 11
SN1040	9	1-B 6	SN12760R	79	1-B 13	SN2036	61	1-B 12	SN3091	63	1-B 12
SN1040	11	1-B 7	SN12761	19	1-B 7	SN2037	53	1-B 11	SN3094	63	1-B 12
SN1040	13	1-B 7	SN12762B	75	1-B 13	SN2037	61	1-B 12	SN3095	53	1-B 11
SN1040	47	1-B 10	SN12763	75	1-B 13	SN2045	19	1-B 7	SN3096	53	1-B 11
SN1040	49	1-B 10	SN12764B	73	1-B 13	SN2045	23	1-B 8	SN3117	17	1-B 7
SN1040	51	1-B 11	SN12765B	75	1-B 13	SN2079	19	1-B 7	SN3117	89	1-B 14
SN1040	53	1-B 11	SN1283	7	1-B 6	SN2079	33	1-B 9	SN3118	17	1-B 7
SN1040	61	1-B 12	SN1283	9	1-B 6	SN2079	73	1-B 13	SN3118	89	1-B 14
SN1040	71	1-B 13	SN1283	19	1-B 7	SN2085	19	1-B 7	SN3164	25	1-B 8
SN1040	73	1-B 13	SN1283	21	1-B 8	SN2085	75	1-B 13	SN3164	27	1-B 8
SN1040	81	1-B 14	SN1283	73	1-B 13	SN2088	19	1-B 7	SN3164	33	1-B 9
SN1040	83	1-B 14	SN1298	7	1-B 6	SN2096	19	1-B 7	SN3165YD	19	1-B 7
SN10400	51	1-B 11	SN1298	9	1-B 6	SN2098-1	21	1-B 8	SN3253	25	1-B 8
SN10445	79	1-B 13	SN1345	47	1-B 10	SN2098-5	11	1-B 7	SN3253	27	1-B 8
SN10460	79	1-B 13	SN140	23	1-B 8	SN2098-6	17	1-B 7	SN3253	33	1-B 9
SN10460	89	1-B 14	SN140	71	1-B 13	SN2316	73	1-B 13	SN3253	35	1-B 9
SN10461	79	1-B 13	SN1599	21	1-B 8	SN2425	35	1-B 9	SN3253	37	1-B 9
SN10486	79	1-B 13	SN1602	47	1-B 10	SN2425	37	1-B 9	SN3271N	53	1-B 11
SN105	49	1-B 10	SN1602	49	1-B 10	SN2426	25	1-B 8	SN3271N	61	1-B 12
SN105	53	1-B 11	SN1602	89	1-B 14	SN2426	27	1-B 8	SN3283N	61	1-B 12
SN105	83	1-B 14	SN1603	47	1-B 10	SN2426	33	1-B 9	SN3283N	89	1-B 14
SN106	7	1-B 6	SN1603	49	1-B 10	SN245	11	1-B 7	SN3298	17	1-B 7
SN106	9	1-B 6	SN1603	89	1-B 14	SN245	13	1-B 7	SN330	61	1-B 12
SN106	11	1-B 7	SN1605	15	1-B 7	SN2487	33	1-B 9	SN3300	17	1-B 7
SN106	13	1-B 7	SN1605	17	1-B 7	SN2487	35	1-B 9	SN3300	89	1-B 14
SN106	21	1-B 8	SN1605	47	1-B 10	SN2491	47	1-B 10	SN3301	15	1-B 7
SN106	47	1-B 10	SN1605	49	1-B 10	SN2491	49	1-B 10	SN3301	17	1-B 7
SN106	49	1-B 10	SN1605	89	1-B 14	SN2555	55	1-B 11	SN3301	89	1-B 14
SN106	51	1-B 11	SN1606	15	1-B 7	SN2555	65	1-B 12	SN3302	15	1-B 7
SN106	61	1-B 12	SN1606	17	1-B 7	SN2566	7	1-B 6	SN3302	17	1-B 7
SN106	71	1-B 13	SN1606	47	1-B 10	SN2566	9	1-B 6	SN3302	89	1-B 14
SN106	73	1-B 13	SN1606	49	1-B 10	SN2568	7	1-B 6	SN3303	15	1-B 7
SN106	81	1-B 14	SN1606	89	1-B 14	SN2568	9	1-B 6	SN3303	17	1-B 7
SN106	83	1-B 14	SN1609	47	1-B 10	SN2568	79	1-B 13	SN3303	89	1-B 14
SN10744	75	1-B 13	SN1609	49	1-B 10	SN2569	15	1-B 7	SN3331	11	1-B 7
SN108	19	1-B 7	SN1609	83	1-B 14	SN2585	17	1-B 7	SN3331	13	1-B 7
SN108	53	1-B 11	SN1610	15	1-B 7	SN2587	77	1-B 13	SN3363	83	1-B 14
SN108	61	1-B 12	SN1610	17	1-B 7	SN2587	79	1-B 13	SN3364	83	1-B 14
SN109	19	1-B 7	SN1610	89	1-B 14	SN2686N	53	1-B 11	SN3365	83	1-B 14
SN110	7	1-B 6	SN1611	47	1-B 10	SN2686N	61	1-B 12	SN3365	89	1-B 14
SN110	9	1-B 6	SN1611	49	1-B 10	SN2723B	53	1-B 11	SN3366	83	1-B 14
SN110	19	1-B 7	SN1611-1	47	1-B 10	SN2723B	61	1-B 12	SN3366	89	1-B 14
SN110	73	1-B 13	SN1611-1	49	1-B 10	SN2750	79	1-B 13	SN3367	83	1-B 14
SN112	75	1-B 13	SN1678	73	1-B 13	SN2755	21	1-B 8	SN3369	19	1-B 7
SN1122	7	1-B 6	SN1697	73	1-B 13	SN2756	61	1-B 12	SN3369	89	1-B 14
SN1122	9	1-B 6	SN1723	73	1-B 13	SN2819B	53	1-B 11	SN3451	33	1-B 9
SN12015	31	1-B 9	SN175	33	1-B 9	SN2819B	61	1-B 12	SN3565	33	1-B 9
SN12018	31	1-B 9	SN175	35	1-B 9	SN2984	23	1-B 8	SN3567	33	1-B 9

INDEX

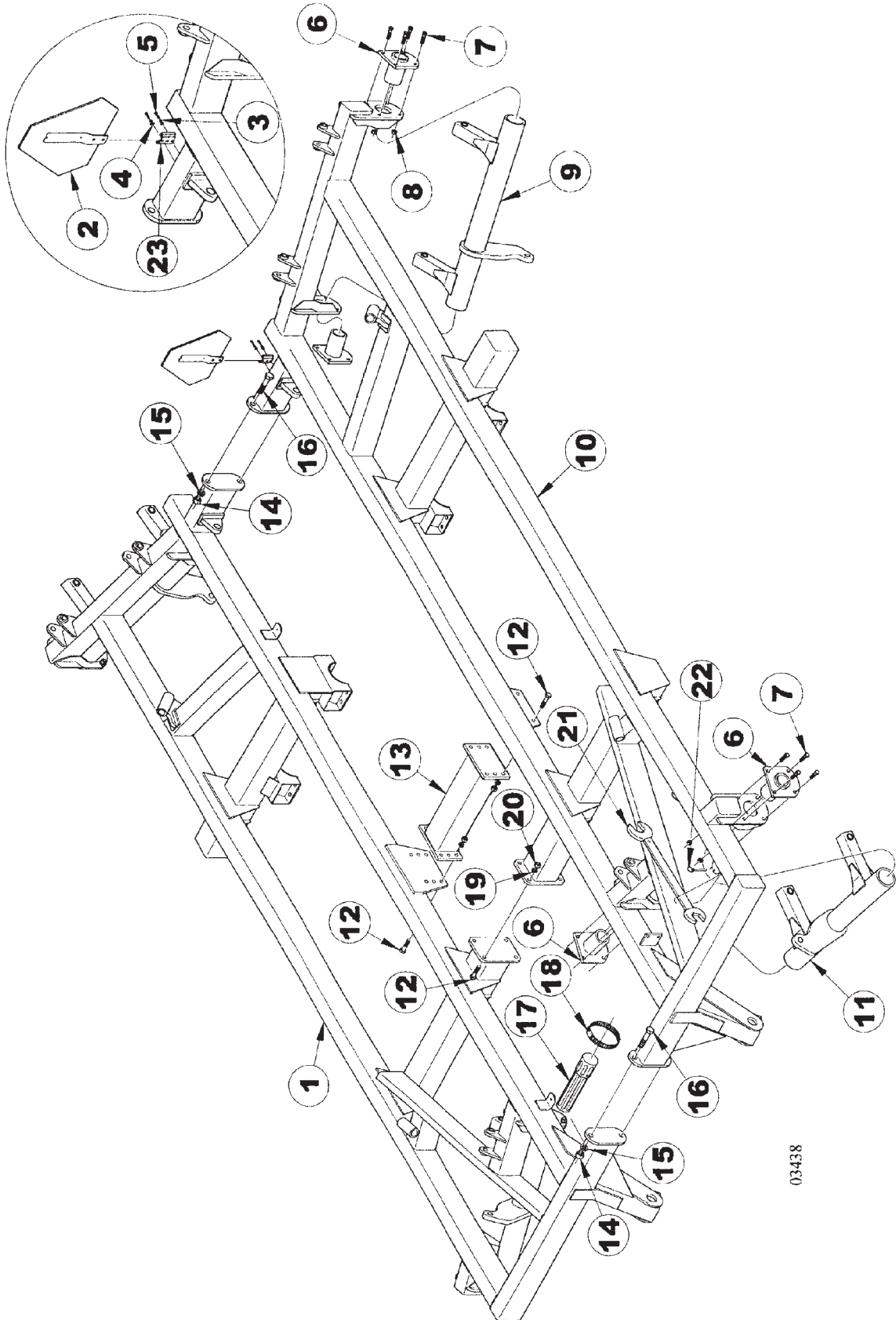
Part No.	Page	Grid	Part No.	Page	Grid	Part No.	Page	Grid	Part No.	Page	Grid
SN3567	35	1-B 9	SN4438	37	1-B 9	SN5847	77	1-B 13	SN7138	61	1-B 12
SN3567	37	1-B 9	SN4454	25	1-B 8	SN5847	89	1-B 14	SN7139	55	1-B 11
SN3577	15	1-B 7	SN4454	27	1-B 8	SN5848	77	1-B 13	SN7139	65	1-B 12
SN3577	17	1-B 7	SN4455	33	1-B 9	SN5848	89	1-B 14	SN7140	55	1-B 11
SN3582	17	1-B 7	SN4455	35	1-B 9	SN5849	77	1-B 13	SN7140	65	1-B 12
SN3588	17	1-B 7	SN4455	37	1-B 9	SN5849	89	1-B 14	SN7141	53	1-B 11
SN3669	11	1-B 7	SN4457	25	1-B 8	SN5857	77	1-B 13	SN7141	61	1-B 12
SN3669	13	1-B 7	SN4457	27	1-B 8	SN5975	53	1-B 11	SN7318	73	1-B 13
SN3683	15	1-B 7	SN4458	25	1-B 8	SN5975	61	1-B 12	SN7319	73	1-B 13
SN3683	89	1-B 14	SN4458	27	1-B 8	SN5976	53	1-B 11	SN7320	75	1-B 13
SN3684	15	1-B 7	SN4458	29	1-B 8	SN5976	61	1-B 12	SN7325	11	1-B 7
SN3684	89	1-B 14	SN4458	31	1-B 9	SN5977	47	1-B 10	SN7325	13	1-B 7
SN3685	15	1-B 7	SN4458	39	1-B 9	SN5977	49	1-B 10	SN7329	11	1-B 7
SN3686	15	1-B 7	SN4458	41	1-B 10	SN5978	47	1-B 10	SN7329	13	1-B 7
SN3686	89	1-B 14	SN4458	43	1-B 10	SN5978	49	1-B 10	SN7334	33	1-B 9
SN3687	15	1-B 7	SN4458	45	1-B 10	SN6101	55	1-B 11	SN7335	13	1-B 7
SN3688Y	15	1-B 7	SN4462	25	1-B 8	SN6101	65	1-B 12	SN7346	61	1-B 12
SN3723	19	1-B 7	SN4462	27	1-B 8	SN6102	71	1-B 13	SN7373	71	1-B 13
SN3723	23	1-B 8	SN4463	27	1-B 8	SN6102	79	1-B 13	SN7377	47	1-B 10
SN3724	19	1-B 7	SN4463	33	1-B 9	SN6102	89	1-B 14	SN7377	49	1-B 10
SN3724	23	1-B 8	SN4463	37	1-B 9	SN6103	55	1-B 11	SN7379	73	1-B 13
SN3750	7	1-B 6	SN4475	25	1-B 8	SN6103	65	1-B 12	SN7379	89	1-B 14
SN3750	9	1-B 6	SN4475	27	1-B 8	SN6103	89	1-B 14	SN7380	73	1-B 13
SN3763	71	1-B 13	SN4478	25	1-B 8	SN6147	53	1-B 11	SN7381	75	1-B 13
SN3763	89	1-B 14	SN4478	27	1-B 8	SN6147	61	1-B 12	SN7382	75	1-B 13
SN3765	7	1-B 6	SN4484	25	1-B 8	SN6148	53	1-B 11	SN7423	61	1-B 12
SN3765	9	1-B 6	SN4484	27	1-B 8	SN6148	61	1-B 12	SN7438	65	1-B 12
SN3880	55	1-B 11	SN4623	33	1-B 9	SN6275	75	1-B 13	SN7439	65	1-B 12
SN3880	65	1-B 12	SN4700	81	1-B 14	SN6276	75	1-B 13	SN7440	65	1-B 12
SN3881	7	1-B 6	SN4732	23	1-B 8	SN6277	75	1-B 13	SN7458	61	1-B 12
SN3881	9	1-B 6	SN4740	83	1-B 14	SN6277	89	1-B 14	SN7599N	47	1-B 10
SN3881	55	1-B 11	SN486	19	1-B 7	SN6307	53	1-B 11	SN7599N	49	1-B 10
SN3881	65	1-B 12	SN486	61	1-B 12	SN6307	61	1-B 12	SN7602N	47	1-B 10
SN3881	79	1-B 13	SN4914	19	1-B 7	SN6406	51	1-B 11	SN7602N	49	1-B 10
SN3890	53	1-B 11	SN4915	19	1-B 7	SN6575	7	1-B 6	SN7604	47	1-B 10
SN3937	53	1-B 11	SN4924	63	1-B 12	SN6575	9	1-B 6	SN7604	49	1-B 10
SN3937	61	1-B 12	SN4944	23	1-B 8	SN669-1	7	1-B 6	SN7604	89	1-B 14
SN3938	57	1-B 11	SN4954	53	1-B 11	SN669-1	9	1-B 6	SN779	23	1-B 8
SN3938	59	1-B 11	SN5015	73	1-B 13	SN669-1	23	1-B 8	SN7807	11	1-B 7
SN3938	67	1-B 12	SN5026	53	1-B 11	SN669-1	71	1-B 13	SN7807	13	1-B 7
SN3938	69	1-B 12	SN506	7	1-B 6	SN669-1	73	1-B 13	SN7858	19	1-B 7
SN3938	73	1-B 13	SN506	9	1-B 6	SN669-1	79	1-B 13	SN7863	53	1-B 11
SN4014005	25	1-B 8	SN506	79	1-B 13	SN669-1	81	1-B 14	SN7863	61	1-B 12
SN4014005	27	1-B 8	SN5063	75	1-B 13	SN669-1	83	1-B 14	SN7863	89	1-B 14
SN4033005	25	1-B 8	SN5080	75	1-B 13	SN6732	55	1-B 11	SN7998	21	1-B 8
SN4066005	27	1-B 8	SN5089	73	1-B 13	SN6732	65	1-B 12	SN7999	21	1-B 8
SN4104002	33	1-B 9	SN5110	53	1-B 11	SN6733	55	1-B 11	SN8610-1	39	1-B 9
SN4110002	33	1-B 9	SN5130	7	1-B 6	SN6733	65	1-B 12	SN8610-1	41	1-B 10
SN4132002	35	1-B 9	SN5130	9	1-B 6	SN6734	55	1-B 11	SN8610-1	43	1-B 10
SN4150006	25	1-B 8	SN5137	23	1-B 8	SN6734	65	1-B 12	SN8610-1	45	1-B 10
SN4150006	27	1-B 8	SN5172	19	1-B 7	SN6773	55	1-B 11	SN8618-1	29	1-B 8
SN4170005	25	1-B 8	SN5202	73	1-B 13	SN6773	65	1-B 12	SN8618-1	31	1-B 9
SN4184002	35	1-B 9	SN5273	75	1-B 13	SN6773	89	1-B 14	SN8631-1	29	1-B 8
SN4186005	25	1-B 8	SN5274	75	1-B 13	SN6836	73	1-B 13	SN8631-1	31	1-B 9
SN4192005	27	1-B 8	SN5288	75	1-B 13	SN6837R	73	1-B 13	SN8631-1	39	1-B 9
SN4204002	37	1-B 9	SN5288	89	1-B 14	SN6838	73	1-B 13	SN8631-1	41	1-B 10
SN4206002	33	1-B 9	SN5289	75	1-B 13	SN6839	73	1-B 13	SN8631-1	43	1-B 10
SN4207003	35	1-B 9	SN5302	25	1-B 8	SN6840	75	1-B 13	SN8631-1	45	1-B 10
SN4207003	37	1-B 9	SN5302	27	1-B 8	SN6841	73	1-B 13	SN8653-1	41	1-B 10
SN4208005	27	1-B 8	SN5302	33	1-B 9	SN6842	73	1-B 13	SN8655-1	45	1-B 10
SN4210002	35	1-B 9	SN5302	35	1-B 9	SN6875	19	1-B 7	SN8656-10	45	1-B 10
SN4213002	33	1-B 9	SN5302	37	1-B 9	SN6876	19	1-B 7	SN8670-10	41	1-B 10
SN4214002	35	1-B 9	SN5339	33	1-B 9	SN6877	19	1-B 7	SN8671-1	29	1-B 8
SN4215002	33	1-B 9	SN5340	25	1-B 8	SN6878	19	1-B 7	SN8671-1	31	1-B 9
SN4222002	33	1-B 9	SN5340	27	1-B 8	SN6879	19	1-B 7	SN8671-1	39	1-B 9
SN4228002	37	1-B 9	SN5419	73	1-B 13	SN6915	23	1-B 8	SN8671-1	41	1-B 10
SN4238002	35	1-B 9	SN5425	73	1-B 13	SN6923R	7	1-B 6	SN8671-1	43	1-B 10
SN4240002	35	1-B 9	SN5530	21	1-B 8	SN6923R	9	1-B 6	SN8671-1	45	1-B 10
SN4429	25	1-B 8	SN5555	15	1-B 7	SN6925	25	1-B 8	SN8683-1	31	1-B 9
SN4429	27	1-B 8	SN5578	15	1-B 7	SN6925	27	1-B 8	SN8683-1	39	1-B 9
SN4437	33	1-B 9	SN5838	77	1-B 13	SN6930	23	1-B 8	SN8683-1	41	1-B 10
SN4437	35	1-B 9	SN5844	77	1-B 13	SN7001	7	1-B 6	SN8683-1	43	1-B 10
SN4437	37	1-B 9	SN5845	77	1-B 13	SN7001	9	1-B 6	SN8683-1	45	1-B 10
SN4438	33	1-B 9	SN5846	77	1-B 13	SN7001	89	1-B 14	SN8686-1	29	1-B 8
SN4438	35	1-B 9	SN5846	89	1-B 14	SN7138	53	1-B 11	SN8698-10	43	1-B 10

4411 DISC RIPPER

5
INDEX

Part No.	Page	Grid	Part No.	Page	Grid	Part No.	Page	Grid	Part No.	Page	Grid
SN8699-10	39	1-B 9	SN9072	53	1-B 11	SN997052	43	1-B 10			
SN8704-10	29	1-B 8	SN9073	53	1-B 11	SN997052	45	1-B 10			
SN8712-1	29	1-B 8	SN9074	61	1-B 12	SN997068	85	1-B 14			
SN8717-1	43	1-B 10	SN9075	61	1-B 12	SN997074	87	1-B 14			
SN8718-1	39	1-B 9	SN9084	11	1-B 7	SN997246	85	1-B 14			
SN8734-10	29	1-B 8	SN9085	11	1-B 7	SN997263	85	1-B 14			
SN8736-10	43	1-B 10	SN9086	13	1-B 7	SN997311	87	1-B 14			
SN8736-10	45	1-B 10	SN9087	13	1-B 7	SN997312	87	1-B 14			
SN8739-10	39	1-B 9	SN9088	7	1-B 6	SN997402	47	1-B 10			
SN8739-10	41	1-B 10	SN9089	7	1-B 6	SN997426	85	1-B 14			
SN8774-1	29	1-B 8	SN9090	7	1-B 6	SN997472	85	1-B 14			
SN8774-1	89	1-B 14	SN9091	7	1-B 6	SN997479	85	1-B 14			
SN8776-1	43	1-B 10	SN9092	9	1-B 6	SN997654	49	1-B 10			
SN8776-1	45	1-B 10	SN9093	9	1-B 6	SN997654	85	1-B 14			
SN8776-1	89	1-B 14	SN9094	9	1-B 6	SN997661	87	1-B 14			
SN8781-1	39	1-B 9	SN9095	71	1-B 13	SN997662	87	1-B 14			
SN8781-1	41	1-B 10	SN9096	21	1-B 8	SN997663	87	1-B 14			
SN8781-1	89	1-B 14	SN9099	21	1-B 8	SN997792	87	1-B 14			
SN8823-1	29	1-B 8	SN9113	23	1-B 8	SN997799	87	1-B 14			
SN8827-1	43	1-B 10	SN9118	51	1-B 11						
SN8827-1	45	1-B 10	SN9119	47	1-B 10						
SN8830-1	39	1-B 9	SN9119	49	1-B 10						
SN8830-1	41	1-B 10	SN9123	47	1-B 10						
SN8851-1	39	1-B 9	SN9124	47	1-B 10						
SN8851-1	43	1-B 10	SN9153	51	1-B 11						
SN8853-1	29	1-B 8	SN9154	47	1-B 10						
SN8862-1	29	1-B 8	SN9154	49	1-B 10						
SN8863-1	31	1-B 9	SN9155	47	1-B 10						
SN8864-1	39	1-B 9	SN9155	49	1-B 10						
SN8864-1	41	1-B 10	SN9156	47	1-B 10						
SN8864-1	43	1-B 10	SN9156	49	1-B 10						
SN8864-1	45	1-B 10	SN9157	47	1-B 10						
SN8894-1	29	1-B 8	SN9157	49	1-B 10						
SN8898-1	39	1-B 9	SN9158	47	1-B 10						
SN8898-1	43	1-B 10	SN9158	49	1-B 10						
SN893	51	1-B 11	SN9159	47	1-B 10						
SN893	83	1-B 14	SN9159	49	1-B 10						
SN8972-1	31	1-B 9	SN918	47	1-B 10						
SN8978-1	31	1-B 9	SN918	49	1-B 10						
SN9008	53	1-B 11	SN918	51	1-B 11						
SN9008	61	1-B 12	SN9193	19	1-B 7						
SN9008	89	1-B 14	SN9196	47	1-B 10						
SN9019	19	1-B 7	SN9196	49	1-B 10						
SN9020	7	1-B 6	SN9197	47	1-B 10						
SN9021	7	1-B 6	SN9197	49	1-B 10						
SN9022	9	1-B 6	SN9257	75	1-B 13						
SN9023	9	1-B 6	SN9390	81	1-B 14						
SN9024	55	1-B 11	SN9390	83	1-B 14						
SN9025	55	1-B 11	SN9423	49	1-B 10						
SN9026	55	1-B 11	SN9424	49	1-B 10						
SN9030	61	1-B 12	SN9425	49	1-B 10						
SN9031	23	1-B 8	SN9426	49	1-B 10						
SN9032	23	1-B 8	SN9434	75	1-B 13						
SN9033	47	1-B 10	SN9556	75	1-B 13						
SN9033	49	1-B 10	SN9556	89	1-B 14						
SN9034	57	1-B 11	SN9557	75	1-B 13						
SN9034	59	1-B 11	SN9557	89	1-B 14						
SN9034	67	1-B 12	SN9557	89	1-B 14						
SN9034	69	1-B 12	SN9691	53	1-B 11						
SN9035	61	1-B 12	SN9691	61	1-B 12						
SN9037	51	1-B 11	SN9705	75	1-B 13						
SN9038	9	1-B 6	SN9736	23	1-B 8						
SN9039	7	1-B 6	SN9737	9	1-B 6						
SN9039	9	1-B 6	SN9738	21	1-B 8						
SN9040	19	1-B 7	SN9739	21	1-B 8						
SN9042	23	1-B 8	SN9740	73	1-B 13						
SN9043	71	1-B 13	SN9741	9	1-B 6						
SN9064	53	1-B 11	SN9742	9	1-B 6						
SN9065	53	1-B 11	SN9749	81	1-B 14						
SN9066	53	1-B 11	SN9749	83	1-B 14						
SN9067	53	1-B 11	SN9777	19	1-B 7						
SN9068	61	1-B 12	SN997002	85	1-B 14						
SN9069	61	1-B 12	SN997048	87	1-B 14						
SN9070	61	1-B 12	SN997052	39	1-B 9						
SN9071	61	1-B 12	SN997052	41	1-B 10						

5 SHANK FRAME ASSEMBLY



03438

**4411 DISC RIPPER
SERVICE PARTS**

7

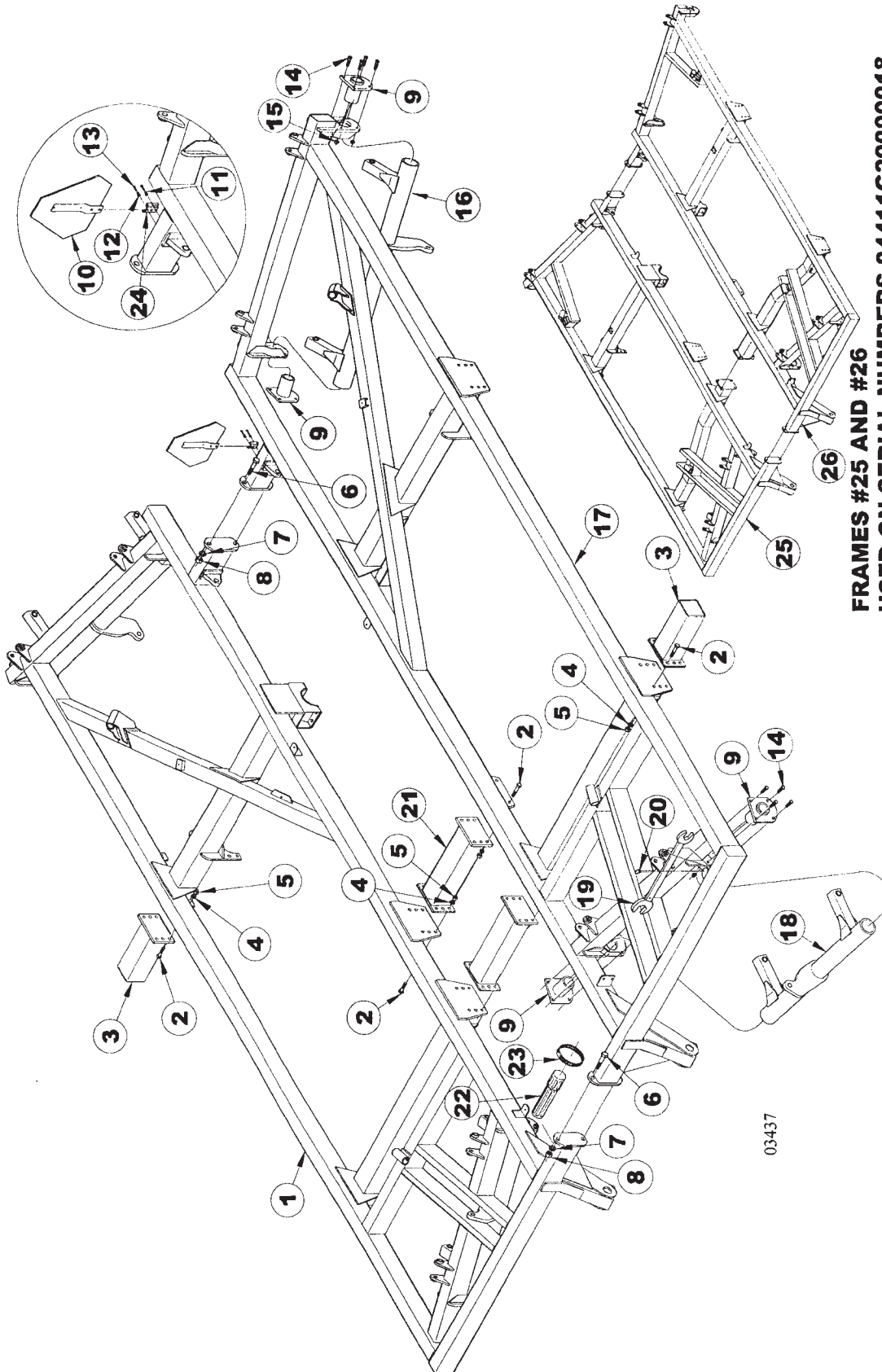
5 SHANK FRAME ASSEMBLY

ITEM	NUMBER	QTY	DESCRIPTION
1	SN9020		MAIN FRAME, 4411-05, RT
2	SN7001		SMV EMBLEM
3	SN506		FLAT WASHER, 1/4", Y/D
4	SN3881		LOCK NUT, 1/4"-20 HEX NYLON INSERT, GR 2, Y/D
5	SN2568		HEX BOLT, 1/4"-20 X 3/4", GR 5 Y/D
6	SN5130		LIFT BEARING
7	SN1298		HEX BOLT, 5/8"-11 X 2 1/2", GR 5, Y/D
8	SN669-1		LOCK NUT, 5/8" HEX NYLON INSERT, GR 5, Y/D
9	SN9091		GANG LIFT, LT RR, 5 SH
	SN9090		GANG LIFT, RT RR, 5 SH
10	SN9021		MAIN FRAME, 4411-05, LT
11	SN9089		GANG LIFT, LT FRT, 5 SH
	SN9088		GANG LIFT, RT FRT, 5 SH
12	SN1122		HEX BOLT, 3/4"-10 X 2 1/2", GR 5, Y/D
13	SN9039		SHANK MOUNT, CENTER
14	SN110		HEX NUT, 1"-8 FULL, GR 5, Y/D
15	SN1283		LOCK WASHER, 1" SPLIT TYPE MED, Y/D
16	SN1918		HEX BOLT, 1"-8 X 2 1/2", GR 5 Y/D
17	SN3750		OPERATOR'S MANUAL TUBE
18	SN3765		HOSE CLAMP, 3 1/2"
19	SN1040		LOCK WASHER, 3/4" SPLIT TYPE MED, Y/D
20	SN106		HEX NUT, 3/4"-10 FULL, GR 5, Y/D
21	SN6923R		WRENCH
22	SN6575		BALL LOCK PIN, 3/8" X 3 1/2" (3 1/8")
23	SN2566		SMV SOCKET

I0003438
PR: t05g30h47b0001

4411 DISC RIPPER
SERVICE PARTS

7 & 9 SHANK FRAME ASSEMBLY



**FRAMES #25 AND #26
USED ON SERIAL NUMBERS 04411G20000018
AND BEFORE**

03437

**4411 DISC RIPPER
SERVICE PARTS**

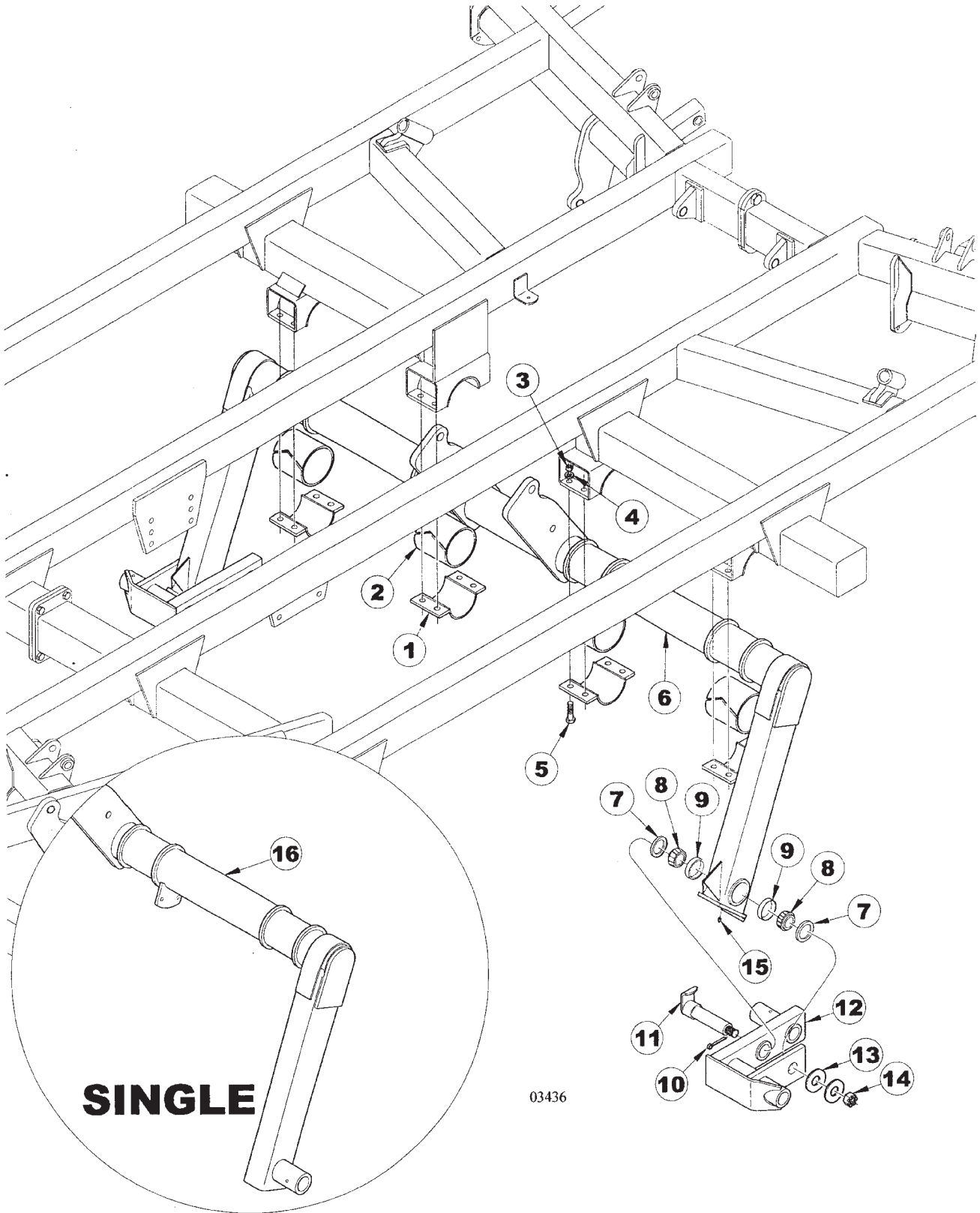
9

7 & 9 SHANK FRAME ASSEMBLY

ITEM	NUMBER	QTY	DESCRIPTION
1	SN9741		MAIN FRAME, 4411-0&09,RT (MACHINES WITH SN# 04411H20000019 & HIGHER)
2	SN1122		HEX BOLT, 3/4"-10 X 2 1/2", GR 5, Y/D
3	SN9038		SHANK EXTENSION, 16"
4	SN1040		LOCK WASHER, 3/4" SPLIT TYPE MED, Y/D
5	SN106		HEX NUT, 3/4"-10 FULL, GR 5, Y/D
6	SN1918		HEX BOLT, 1"-8 X 2 1/2", GR 5 Y/D
7	SN1283		LOCK WASHER, 1" SPLIT TYPE MED, Y/D
8	SN110		HEX NUT, 1"-8 FULL, GR 5, Y/D
9	SN5130		LIFT BEARING
10	SN7001		SMV EMBLEM
11	SN506		FLAT WASHER, 1/4", Y/D
12	SN3881		LOCK NUT, 1/4"-20 HEX NYLON INSERT, GR 2, Y/D
13	SN2568		HEX BOLT, 1/4"-20 X 3/4", GR 5 Y/D
14	SN1298		HEX BOLT, 5/8"-11 X 2 1/2", GR 5, Y/D
15	SN669-1		LOCK NUT, 5/8" HEX NYLON INSERT, GR 5, Y/D
16	SN9737		GANG LIFT, REAR, 7&9 SH (MACHINES WITH SN# 04411H20000019 & HIGHER)
	SN9094		GANG LIFT, LT RR, 7&9 SH (MACHINES WITH SN# 04411G20000018 & LOWER)
	SN9093		GANG LIFT, RT RR, 7&9 SH (MACHINES WITH SN# 04411G20000018 & LOWER)
17	SN9742		MAIN FRAME, 4411-07&09,LT (MACHINES WITH SN# 04411H20000019 & HIGHER)
18	SN9092		GANG LIFT, FRT, 7&9 SH
19	SN6923R		WRENCH, TONGUE ADJUSTMENT
20	SN6575		BALL LOCK PIN, 3/8" X 3 1/2" (3 1/8")
21	SN9039		SHANK MOUNT, CENTER
22	SN3750		OPERATOR'S MANUAL TUBE
23	SN3765		HOSE CLAMP, 3 1/2"
24	SN2566		SMV SOCKET
25	SN9022		MAIN FRAME, 4411-07&09,RT (MACHINES WITH SN# 04411G20000018 & LOWER)
26	SN9023		MAIN FRAME, 4411-07& 09,LT (MACHINES WITH SN# 04411G20000018 & LOWER)

I0003437
PR: t05g30h47b0002

5 SHANK MAIN LIFT ASSEMBLY



4411 DISC RIPPER
SERVICE PARTS

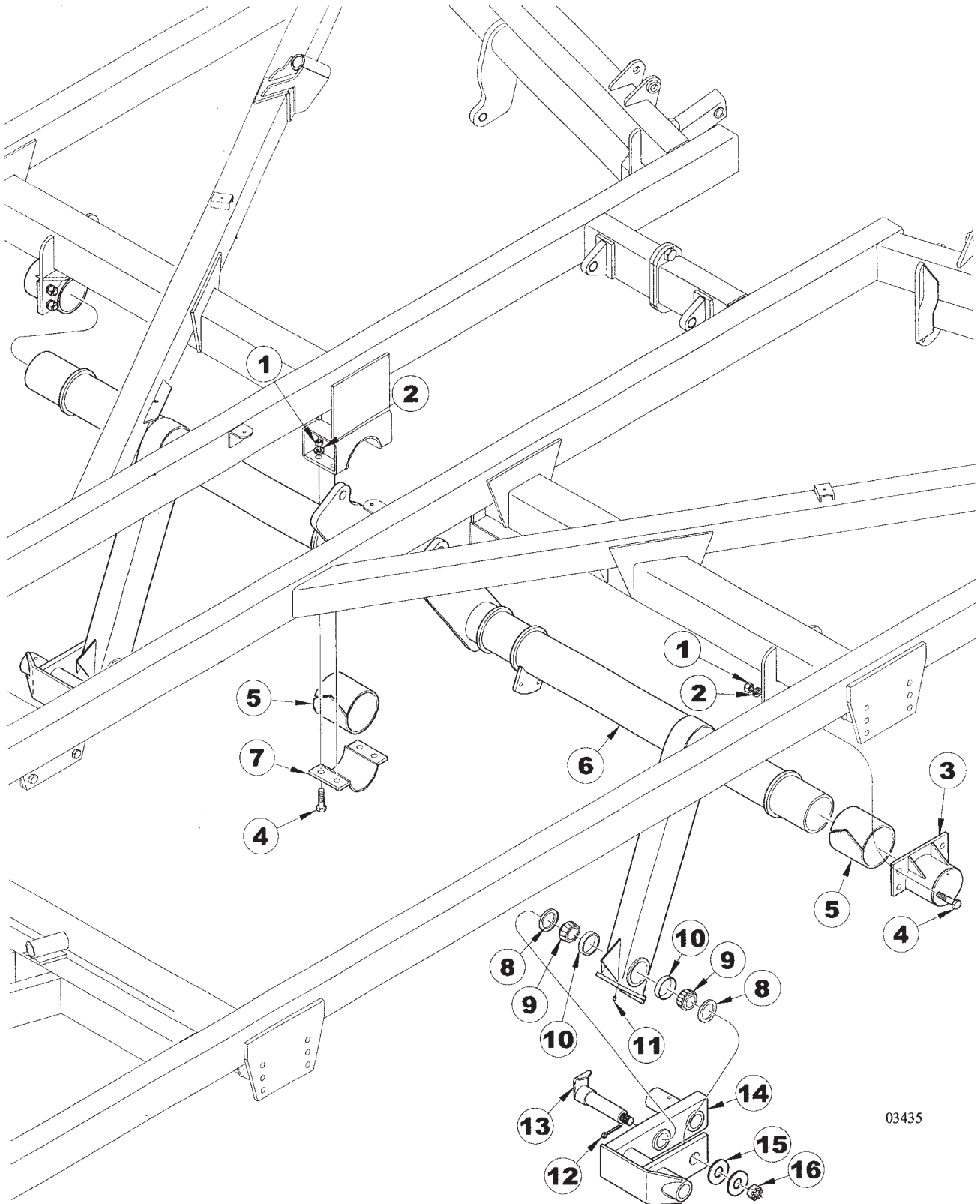
11

5 SHANK MAIN LIFT ASSEMBLY

ITEM	NUMBER	QTY	DESCRIPTION
1	SN7329		BEARING CAP
2	SN7325		BEARING, LIFT (SPLIT) 6" WIDE
3	SN106		HEX NUT, 3/4"-10 FULL, GR 5, Y/D
4	SN1040		LOCK WASHER, 3/4" SPLIT TYPE MED, Y/D
5	SN1220		HEX BOLT, 3/4"-10 X 2", GR 5 Y/D
6	SN9085		LIFT, WALKING TANDEM, 5@30
7	SN3063		WALKING BEAM SEAL (NAT.204035 C/R 22870)
8	SN3061		WALKING BEAM BEARING (342A)
9	SN3062		WALKING BEAM RACE (332)
10	SN3066		COTTER PIN, 7/32" X 1 1/2"
11	SN3331		SPINDLE, 2" X 9 7/8" TANDEM PIVOT (USED WITH 7807R)
	SN3669		SPINDLE, 2" X 10 15/16" L TANDEM PIVOT (USED WITH 12452R)
12	SN7807		TANDEM PIVOT (VERSION 1)
	SN12452		TANDEM PIVOT (VERSION 2)
13	SN245		FLAT WASHER, 1" WIDE RIM, Y/D
14	SN2992		HEX NUT, 1"-14 FULL SLOTTED GR 2, Y/D
15	SN2098-5		GREASE ZERK, 1/8" NPTF, 1 1/4" L
16	SN9084		LIFT, SINGLE, 5@30

I0003436
PR: t05g30h47b0003

7 & 9 SHANK MAIN LIFT ASSEMBLY



03435

4411 DISC RIPPER
SERVICE PARTS

13

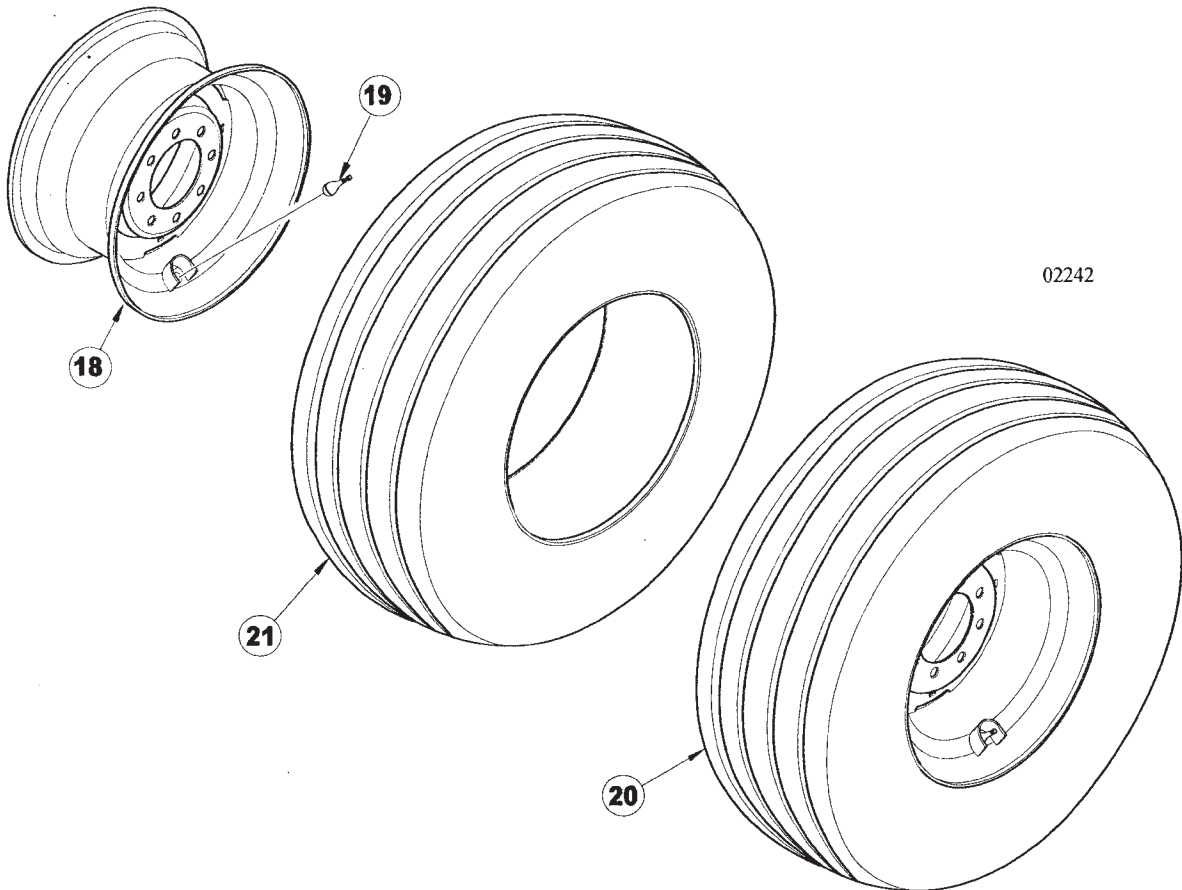
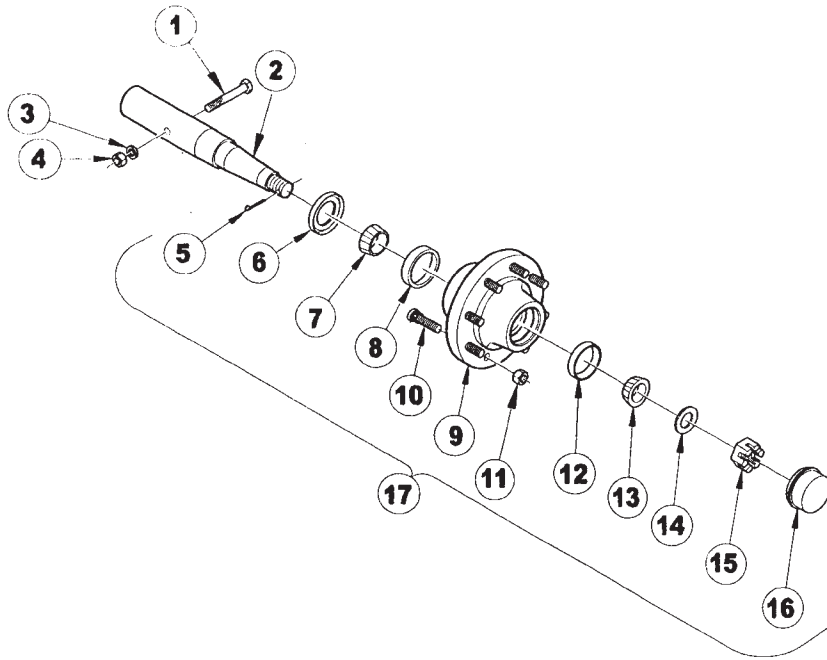
7 & 9 SHANK MAIN LIFT ASSEMBLY

ITEM	NUMBER	QTY	DESCRIPTION
1	SN106		HEX NUT, 3/4"-10 FULL, GR 5, Y/D
2	SN1040		LOCK WASHER, 3/4" SPLIT TYPE MED, Y/D
3	SN7335		BEARING CAP
4	SN1220		HEX BOLT, 3/4"-10 X 2", GR 5 Y/D
5	SN7325		BEARING, LIFT (SPLIT) 6" WIDE
6	SN9086		LIFT, WALKING TANDEM, 7@24 & 9@24
	SN9087		LIFT, WALKING TANDEM, 7@30
7	SN7329		BEARING CAP
8	SN3063		WALKING BEAM SEAL (NAT.204035 C/R 22870)
9	SN3061		WALKING BEAM BEARING (342A)
10	SN3062		WALKING BEAM RACE (332)
11	SN2098-5		GREASE ZERK, 1/8" NPTF, 1 1/4" L
12	SN3066		COTTER PIN, 7/32" X 1 1/2"
13	SN3331		SPINDLE, 2" X 9 7/8" TANDEM PIVOT (USED WITH 7807R)
	SN3669		SPINDLE, 2" X 10 15/16" L TANDEM PIVOT (USED WITH 12452R)
14	SN7807		TANDEM PIVOT (VERSION 1)
	SN12452		TANDEM PIVOT (VERSION 2)
15	SN245		FLAT WASHER, 1" WIDE RIM, Y/D
16	SN2992		HEX NUT, 1"-14 FULL SLOTTED GR 2, Y/D

I0003435
PR: t05g30h47b0004

4411 DISC RIPPER
SERVICE PARTS

SPINDLE & WHEEL ASSEMBLY - 5 SHANK
(SINGLE WHEEL LIFT)



02242

**4411 DISC RIPPER
SERVICE PARTS**

15

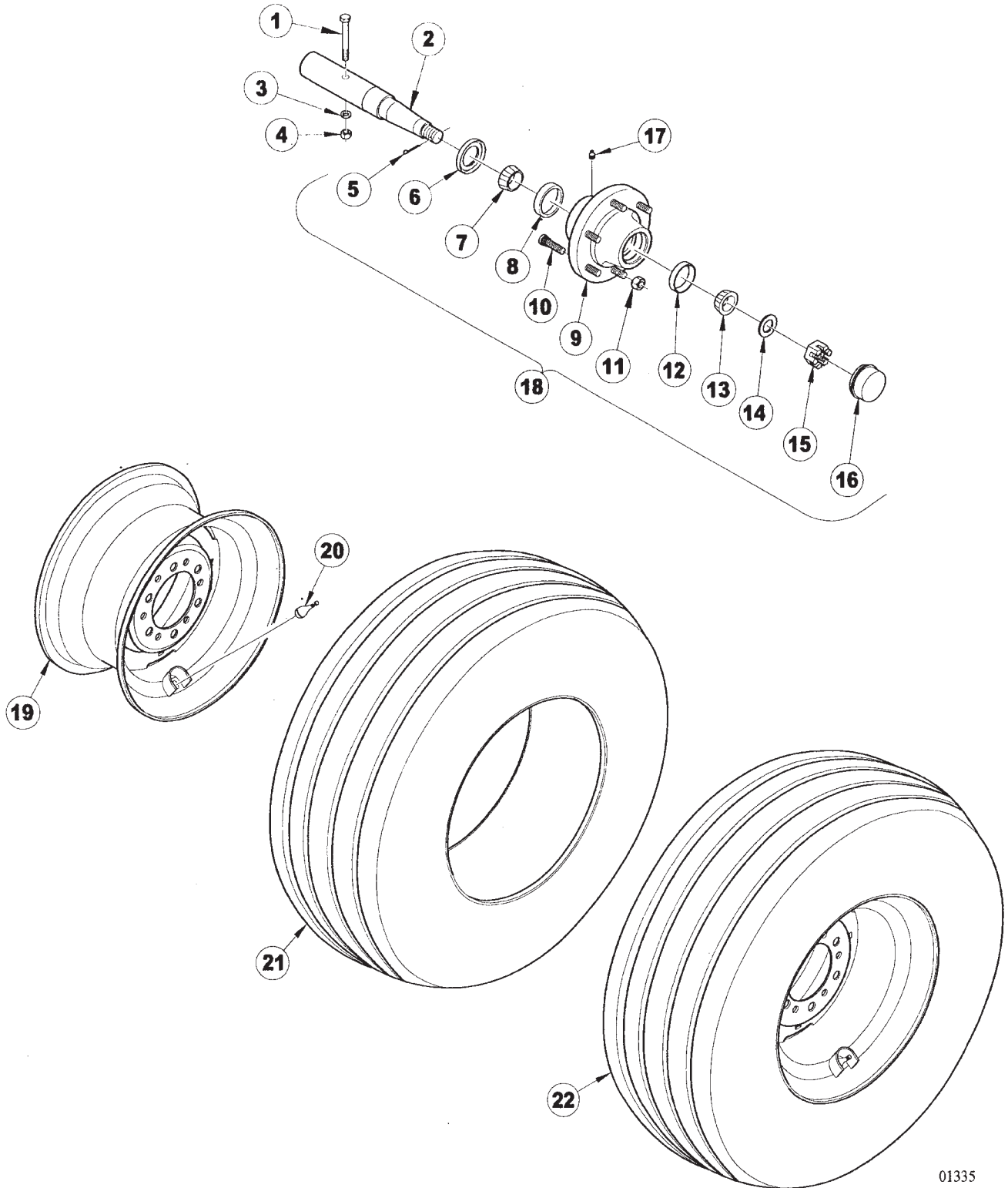
**SPINDLE & WHEEL ASSEMBLY - 5 SHANK
(SINGLE WHEEL LIFT)**

ITEM	NUMBER	QTY	DESCRIPTION
1	SN2569		7/16"-14 X 4", GR5 Y/D
2	SN3687		SPINDLE, 2 1/4" X 14"
3	SN302		LOCK WASHER, 7/16" SPLIT TYPE, MED, Y/D
4	SN303		HEX NUT, 7/16" - 14, FULL, GR 2, Y/D
5	SN3066		COTTER PIN, 7/32" X 1 1/2"
6	SN3301		TRIPLE LIP SEAL
7	SN3683		INNER BEARING(LM603049)
8	SN3684		INNER RACE (LM603011)
9	SN3685		EIGHT BOLT HUB, STUDDERED W/CUPS ZERK AND LUG NUTS, PLATED
10	SNFK340167		LUG BOLT, 5/8"-18 X 2 1/4"
11	SNFK340168		LUG NUT, 5/8"-18, GR 5, 90 DEG TAPER, Y/D
12	SN1605		OUTER RACE (LM67010)
13	SN1606		OUTER BEARING (LM67048)
14	SN3303		WASHER, 1 1/32" ID X 1 3/4" ODX 1/8" THICK, PLAIN
15	SN3302		HEX NUT, 1"-14 FULL SLOTTED GR 2, PLAIN
16	SN1610		DUST CAP, 2.448" OD, Y/D
17	SN3686		8 BOLT HUB ASSEMBLY
18	SN3688Y		WHEEL, 15 X 10, 8 BOLT
19	SN3577		VALVE STEM
20	SN5555		TIRE, 12.5L (GY-FI-F) W/15 X 10 WH ASSY 8 BT
21	SN5578		TIRE, 12.5L X 15, (GY-FI-F)

I0002242
PR: t05g30h47b0005

4411 DISC RIPPER
SERVICE PARTS

SPINDLE & WHEEL ASSEMBLY (5, 7 & 9
SHANK WALKING TANDEM)



**4411 DISC RIPPER
SERVICE PARTS**

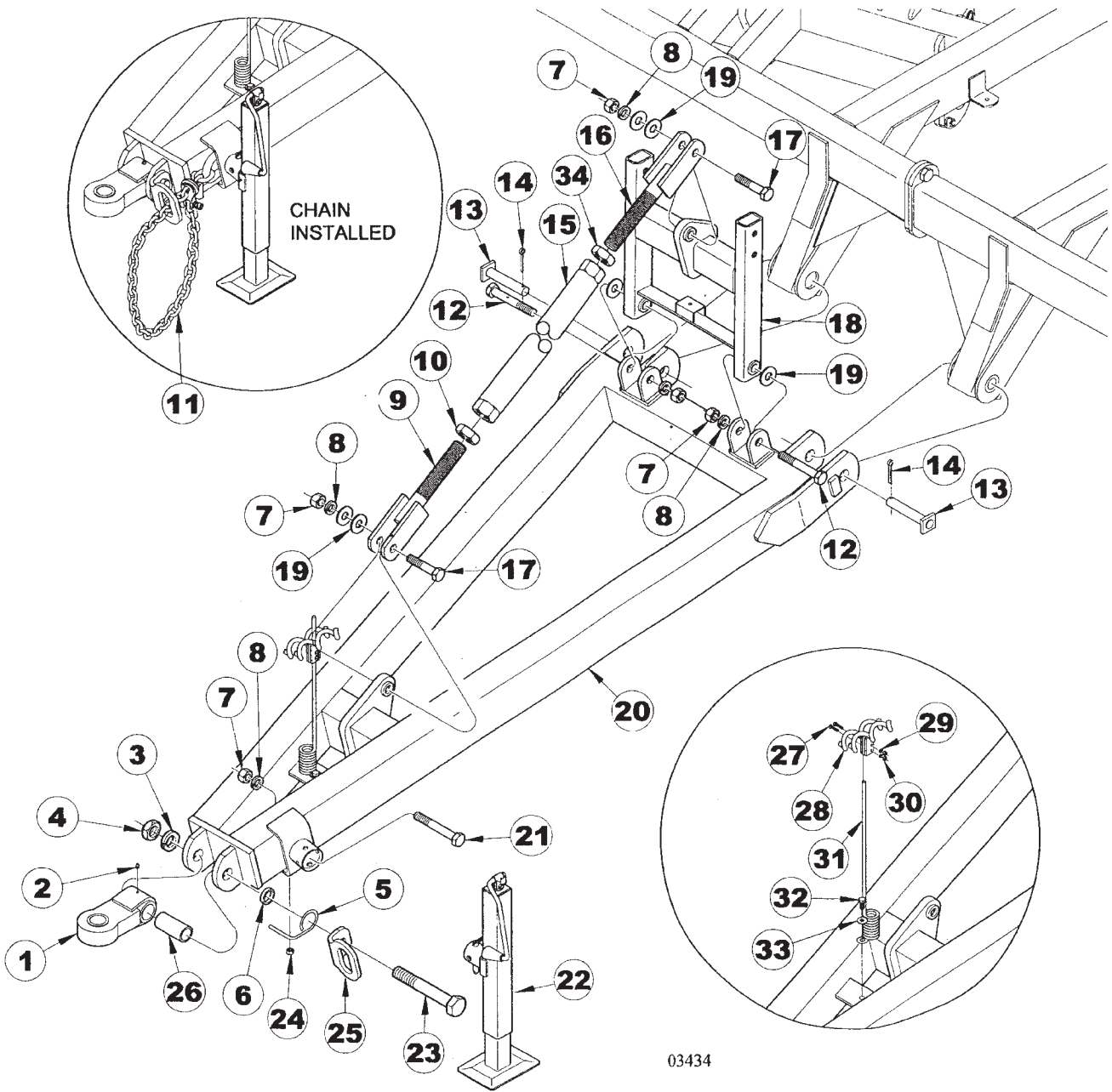
17

**SPINDLE & WHEEL ASSEMBLY (5, 7 & 9
SHANK WALKING TANDEM)**

ITEM	NUMBER	QTY	DESCRIPTION
1	SN2585		HEX BOLT, 7/16"-14 X 3 1/2", GR 5, Y/D
2	SN3298		SPINDLE, 2" X 11 1/4"
3	SN302		LOCK WASHER, 7/16" SPLIT TYPE MED, Y/D
4	SN303		HEX NUT, 7/16"-14 FULL, GR 2, Y/D
5	SN3066		COTTER PIN, 7/32" X 1 1/2"
6	SN3301		TRIPLE LIP SEAL
7	SN1935		INNER BEARING (LM501349)
8	SN1936		INNER RACE (LM501310)
9	SN1937		SIX BOLT HUB, STUDDERED W/CUPS AND LUG NUTS, PAINTED
10	SN3118		LUG BOLT, 9/16"-18 X 1 7/8" PRESS IN, PL
11	SN3117		LUG NUT, 9/16"-18, GR 5, 90 DEG TAPER, Y/D
12	SN1605		OUTER RACE (LM67010)
13	SN1606		OUTER BEARING (LM67048)
14	SN3303		WASHER, 1 1/32" ID X 1 3/4" ODX 1/8" THICK, PLAIN
15	SN3302		HEX NUT, 1"-14 FULL SLOTTED GR 2, PLAIN
16	SN1610		DUST CAP, 2.448" OD, Y/D
17	SN2098-6		GREASE ZERK, 1/4"-28, 17/32" L
18	SN3300		SIX BOLT HUB ASSEMBLY W/3301 SEAL (ITEMS 5-7, 9, & 13-16)
19	SN1944		WHEEL, 15 X 10, 6 BOLT
20	SN3577		VALVE STEM
21	SN3582		TIRE, 12.5L X 15, 12-PLY TUBELESS
22	SN3588		TIRE, 12.5L, 12 PLY TUBELESS W/15 X 10 WHEEL ASSY 6 BOLT

I0001335
PR: t05g30h47b0006

TONGUE ASSEMBLY



03434

**4411 DISC RIPPER
SERVICE PARTS**

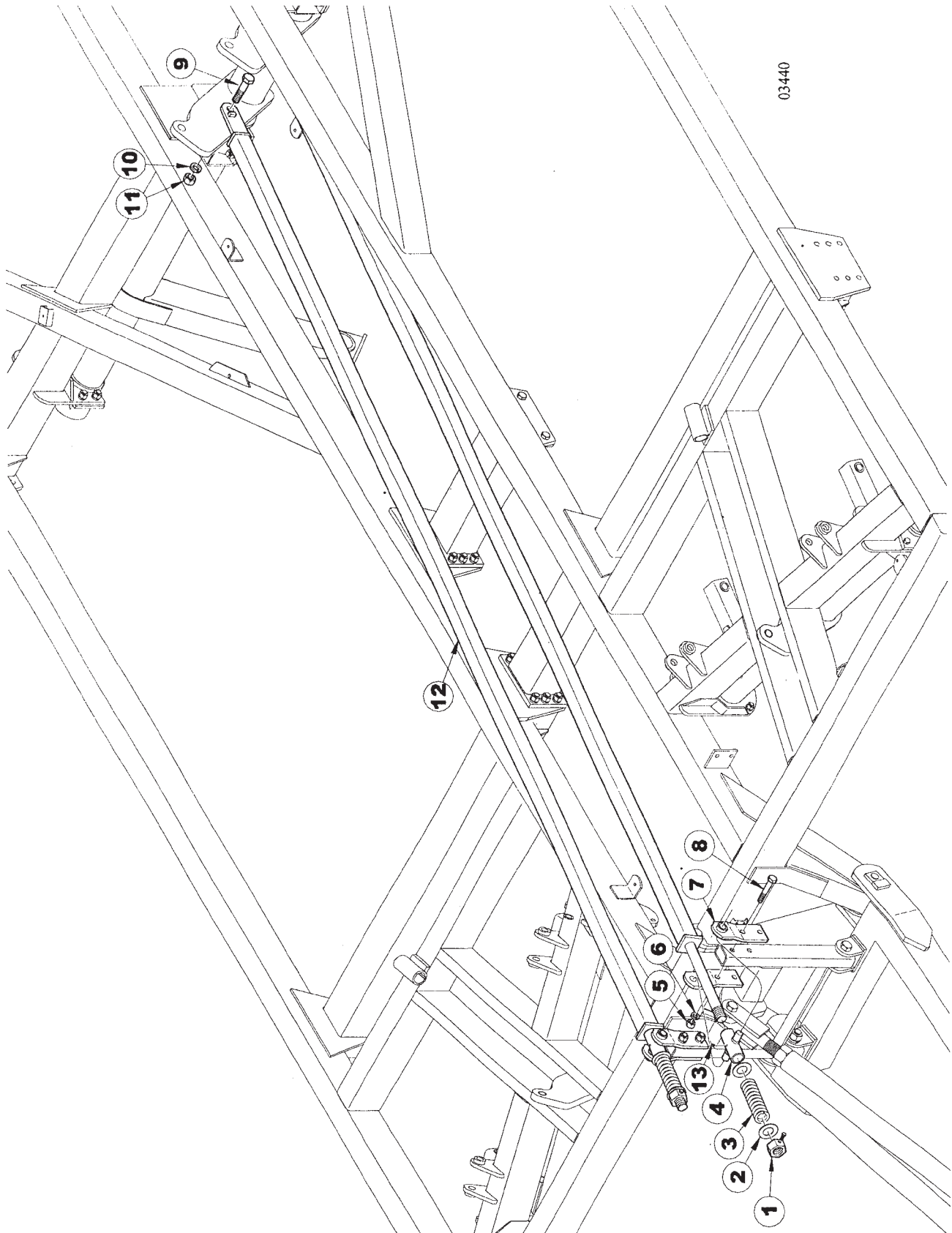
19

TONGUE ASSEMBLY

ITEM	NUMBER	QTY	DESCRIPTION
1	SN1810-1 SN5172		HITCH CLEVIS, 4" SINGLE, 1 7/8 HOLE HITCH CLEVIS, 4" SINGLE, 2 1/4" HOLE
2	SN2098-5		GREASE ZERK, 1/8" NPTF, 5/8" L
3	SN2085		LOCK WASHER, 1 1/2" SPLIT TYPE MED, Y/D
4	SN2079		JAM NUT, 1 1/2"-6 HEX, GR 2, Y/D
5	SN3068		HITCH CLEVIS HOLDER (SINGLE)
6	SN3165YD		BUSHING, HITCH CLEVIS HOLDER
7	SN110		HEX NUT, 1"-8 FULL, GR 5, Y/D
8	SN1283		LOCK WASHER, 1" SPLIT TYPE MED, Y/D
9	SN6876		ADJUSTING SCREW, RIGHT
10	SN2088		JAM NUT, 1 3/4"-5 HEX, GR 2, Y/D
11	SN7858		CHAIN, 3/8" X 59" (20,200 LB) ASSEMBLY
12	SNFK150013		HEX BOLT, 1"-8 X 5" GR 5, Y/D
13	SN9193		PIN, 1 1/2" X 7 7/16" (6 23/32") SQUARE HEADED
14	SN108		COTTER PIN, 5/16" X 2 1/2", Y/D
15	SN6878		ADJUSTING LINK
16	SN6877 SN6875		ADJUSTING SCREW, LEFT ADJUSTING LINK ASSEMBLY (ITEMS 9,10, 15,16 & 34)
17	SN1891		HEX BOLT, 1"-8 X 5 1/2", GR YD
18	SN12741		TOWER, LEVELER
19	SNFK150173		FLAT WASHER, 1" SAE, Y/D
20	SN12759		TONGUE
21	SN109		HEX BOLT, 1"-8 X 7", GR 5, Y/D
22	SN9777		LONG TONGUE JACK, SQ W/TUBE MOUNT
23	SN9019		HEX BOLT, 1 1/2"-6 X 8 1/2" GR 5, Y/D
24	SN2096		LOCK NUT, 1/2"-13 HEX NYLON INSERT, GR 8, Y/D
25	SN9040		CHAIN SUPPORT
26	SN3369		HITCH CLEVIS BUSHING
27	SNCS516114		HEX BOLT, 5/16"-18 X 1 1/4" GR 5, Y/D
28	SN4914		HOSE HOLDER, RED
29	SN3723		LOCK WASHER, 5/16" SPLIT TYPE, MED, Y/D
30	SN3724		HEX NUT, 5/16"-18 FULL, GR 2, Y/D
31	SN4915		HOSE HOLDER ROD, RED
32	SN2045		HEX BOLT, 1/2"-13 X 1 3/4", GR5, Y/D
33	SN486		FLAT WASHER, 1/2", Y/D
34	SN6879		JAM NUT, 1 3/4"-5 HEX LH, GR 2 Y/D
35	SN12761		BRACKET, PLUG HOLDER

I0003434
PR: t05g30h47b0007

LEVELER TUBE ASSEMBLY



**4411 DISC RIPPER
SERVICE PARTS**

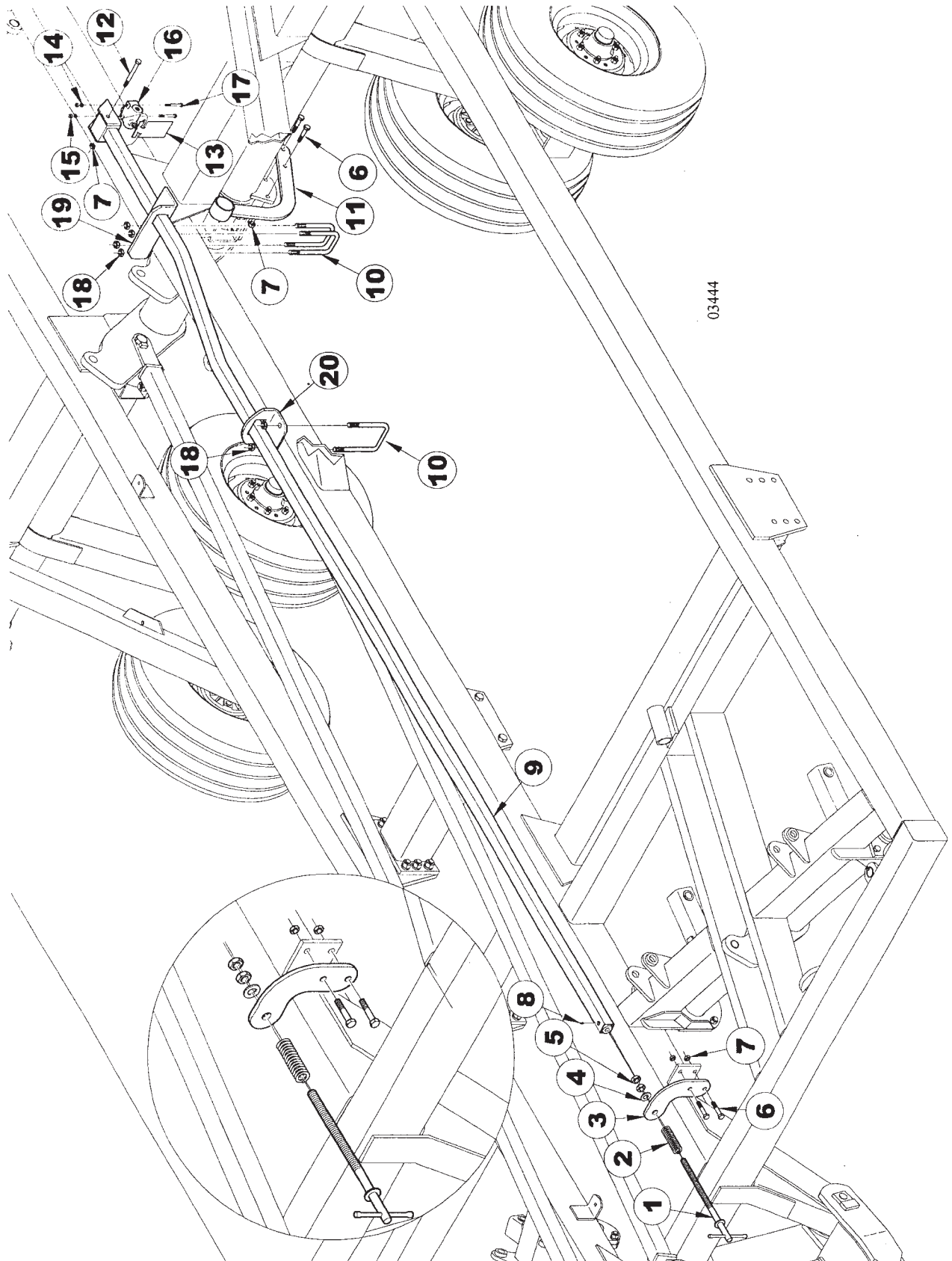
21

LEVELER TUBE ASSEMBLY

ITEM	NUMBER	QTY	DESCRIPTION
1	SN1880		JAM NUT, 1 1/2"-6 HEX W/SET SCREW, GR 2, Y/D
2	SN2755		FLAT WASHER, 1 9/16" ID X 2 13/16" OD, 10 GA, Y/D
3	SN1875		SPRING, 2.938" OD X 1.625" ID X 8 7/8" L COMPRESSION
4	SN7999		LEVELER CROSS, 5"
5	SN106		HEX NUT, 3/4"-10 FULL, GR 5, Y/D
6	SN104		LOCK WASHER, 3/4" SPLIT TYPE MED, Y/D
7	SN7998		BRACKET, LEVELER CROSS
8	SN1599		HEX BOLT, 3/4"-10 X 4", GR 5, Y/D
9	SN5530		HEX BOLT, 1"-8 X 3", 1" THD, GR 5, Y/D
10	SN1283		LOCK WASHER, 1" SPLIT TYPE MED, Y/D
11	SN1849		JAM NUT, 1"-8 HEX, GR 2, Y/D
12	SN9738		LEVELER TUBE, 194 1/2" (USED ON SN# 04411H20000019 & HIGHER)
	SN9096		LEVELER TUBE, 172 1/4" (USED ON SN# 04411G20000018 & LOWER)
13	SN2098-1		GREASE ZERK, 1/8" NPTF, 5/8" L
	SN9739		LEVELER TUBE ASSY, 4411(INCLUDES ITEMS 1-4, & 12-13) ED ON SN# 04411H20000019 & HIGHER)
	SN9099		LEVELER TUBE ASSY, 4411 (INCLUDES ITEMS 1-4, & 12-13) ED ON SN# 04411G20000018 & LOWER)

I0003440
PR: t05g30h47b0008

STROKE CONTROL ASSEMBLY



03444

**4411 DISC RIPPER
SERVICE PARTS**

23

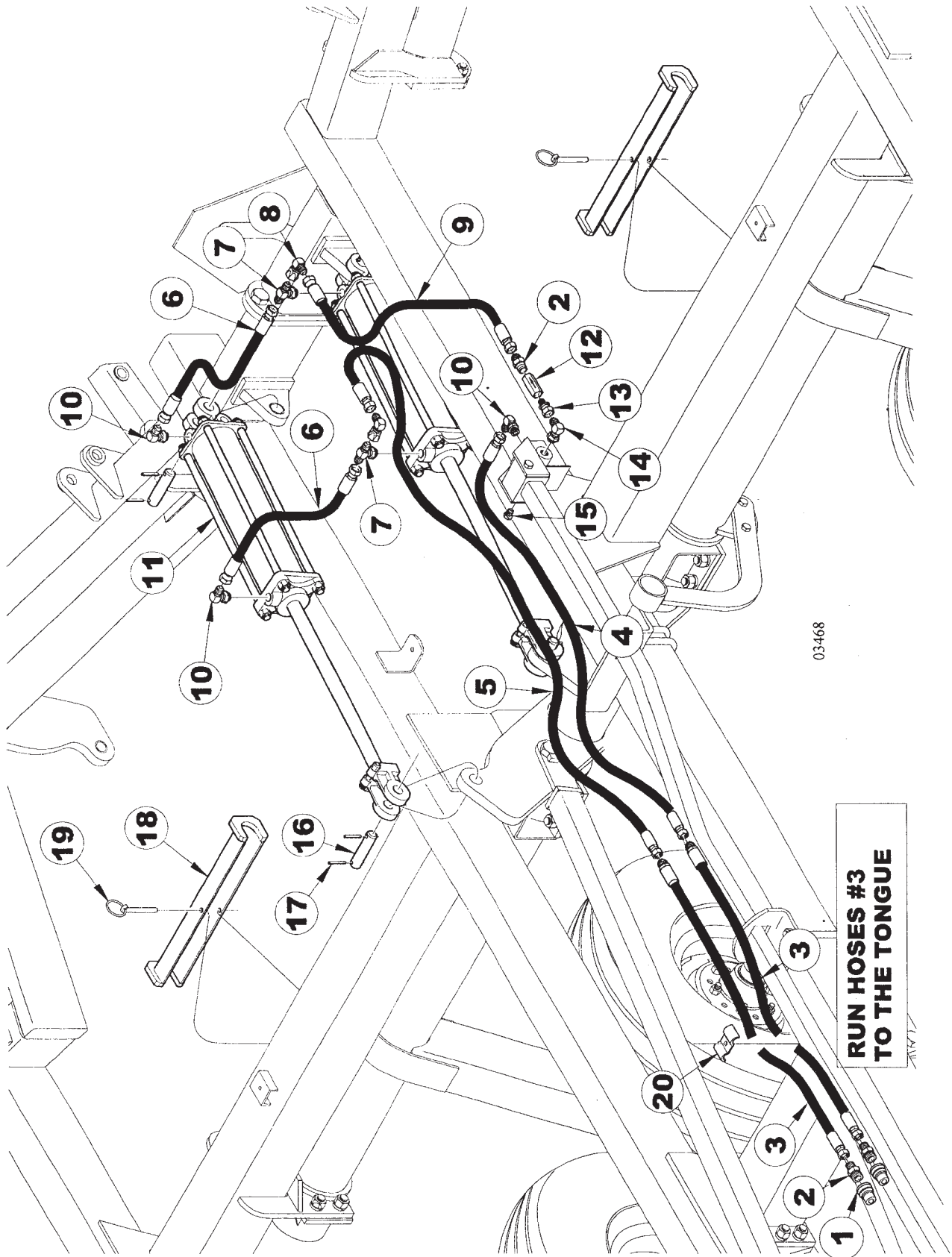
STROKE CONTROL ASSEMBLY

ITEM	NUMBER	QTY	DESCRIPTION
1	SN5137		THREADED REMOTE ADJUSTMENT
2	SN4944		SPRING, 1.10" OD,.135 DIA, 3 1/2" L.
3	SN9042		THREADED REMOTE ADJUSTMENT MOUNT
4	SN779		WASHER, 25/32" ID X 1 1/2" OD,10 GA, PL
5	SN1243		JAM NUT, 3/4"-10 HEX, GR 2, Y/D
6	SN2045		HEX BOLT, 1/2"-13 X 1 3/4", GR 5, Y/D
7	SN2096		LOCK NUT, 1/2"-13 HEX NYLON INSERT, GR 8, Y/D
8	SN2098-6		GREASE ZERK, 1/4"-28, 17/32" L
9	SN9736		VALVE ADJUSTMENT TUBE, 151 3/4" L (USED ON 7 & 9 SHANK WITH SN# 04411H20000019 & HIGHER)
	SN9031		VALVE ADJUSTMENT TUBE, 129 1/2" L (USED ON 7 & 9 SHANK WITH SN# 04411G20000018 & LOWER, USED ON ALL 5 SHANK MODELS)
10	SN2984		U-BOLT, 5/8" X 7 1/2" X 4 3/4" W
11	SN9032		ACTUATOR LEVER
12	SN140		HEX BOLT, 1/2"-13 X 4 1/2", GR 5, Y/D
13	SN6930		STOP TAB
14	SN3723		LOCK WASHER, 5/16" SPLIT TYPE, MED, Y/D
15	SN3724		HEX NUT, 5/16"-18 FULL, GR 2, Y/D
16	SN4732		DEPTH CONTROL VALVE
17	SN1817		HEX BOLT, 5/16"-18 X 2 1/2", GR 5, Y/D
18	SN669-1		LOCK NUT, 5/8" HEX NYLON INSERT, GR 5, Y/D
19	SN6915		GUIDE BRACKET
20	SN9113		GUIDE BRACKET

I0003444
PR: t05g30h47b0009

4411 DISC RIPPER
SERVICE PARTS

MAIN LIFT HYDRAULICS (SERIAL #
04411G20000018 & EARLIER)



03468

**4411 DISC RIPPER
SERVICE PARTS**

25

**MAIN LIFT HYDRAULICS (SERIAL #
04411G20000018 & EARLIER)**

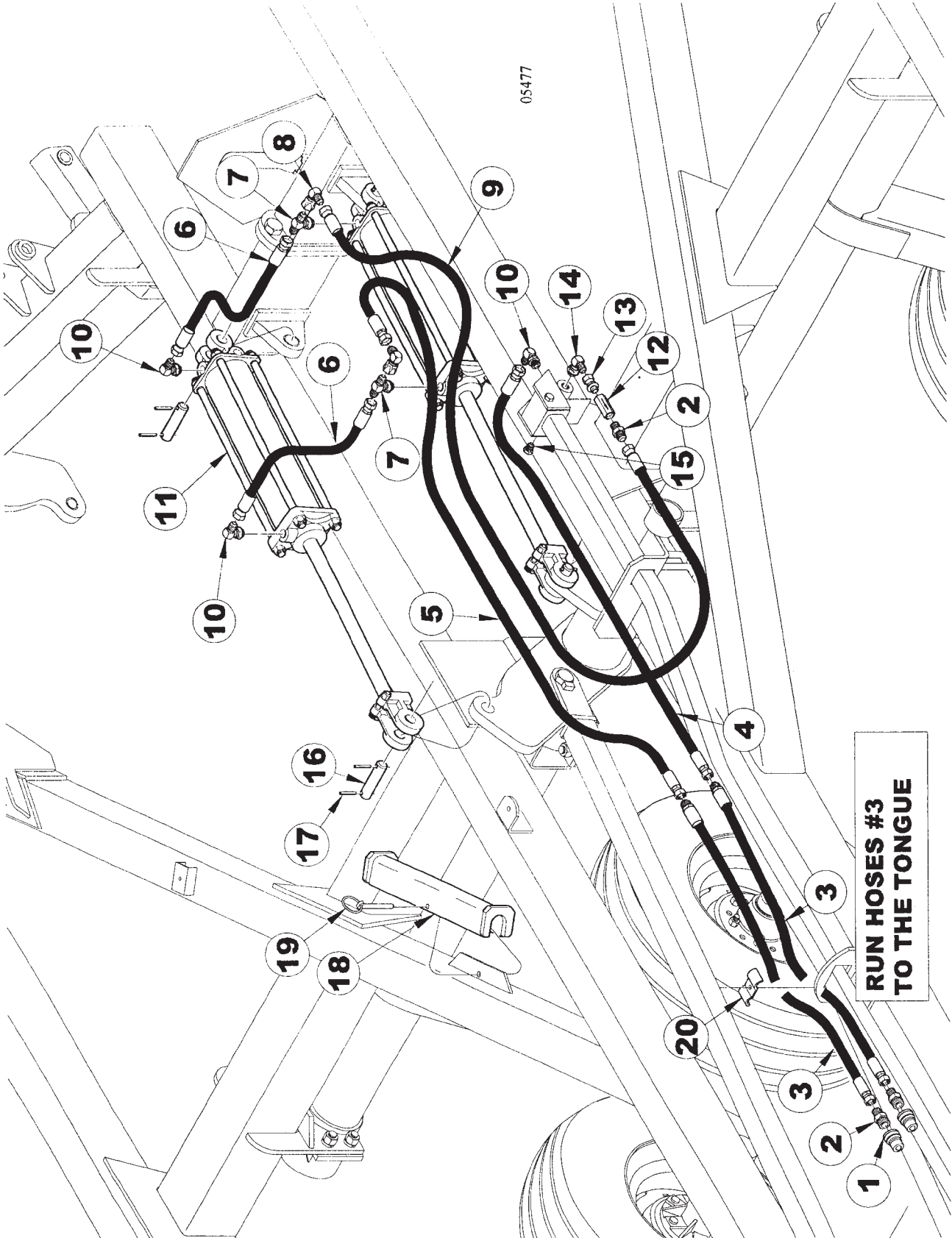
ITEM	NUMBER	QTY	DESCRIPTION
1	SN3253		HYDRAULIC COUPLER, MALE HALF
2	SN2426		MALE CONNECTOR, 7/8"-14 M.F. X 1/2"-14 M.P.T.
3	SN4150006		HOSE, 1/2" X 150" L, MALE TO FEMALE ENDS
4	SN4170005		HOSE, 1/2" X 170" L, FEMALE ENDS
5	SN4186005		HOSE, 1/2" X 186" L, FEMALE ENDS
6	SN4014005		HOSE, 1/2" X 14" L, FEMALE ENDS
7	SN4462		STRAIGHT THD. BRANCH TEE, 7/8"-14 M.F. X 3/4"-16 O.R.
8	SN4478		90 DEGREE SWIVEL ELBOW, 7/8"- 14 MF X 7/8"-14 FF
9	SN4033005		HOSE, 1/2" X 33" L, FEMALE ENDS
10	SN4457		90 DEGREES STRAIGHT THD ELBOW, 7/8"-14 M.F. X 3/4"-16 O.R.
11	SN4429		CYLINDER, 3 1/2" X 16" LIFT W/O STR CON (*VERSION 1, PRIOR TO10/22/03)
	SN12043		CYLINDER, 3 1/2" X 16" LIFT W/O STR CON 3000 (*VERSION 2, 10/22/03 & LATER)
12	SN4484		IN LINE RESTRICTOR, 1/2"-14 FPT, 5/32"
13	SN4475		MALE PIPE TO FEMALE TUBE, 1/2"-14 M.P.T. X 3/4"-16 O.R.
14	SN4454		90 DEGREES STR. THREAD ELBOW 3/4"-16 MF X 3/4"-16 O.R.
15	SN4458		PLUG, 3/4"-16 O.R.
16	SN5340		PIN, 1 1/4" X 4 1/16" (3"), Y/D
17	SN3164		ROLL PIN, 5/16" X 2" SPIRAL MEDIUM DUTY, Y/D
18	SN6925		TRANSPORT LOCK
19	SN12268		PIN, WIRE LOCK 3/8" X 2 1/2", Y/D
20	SN5302		PIPE CLAMP, 3/8" BOLT HOLE

NOTE:*WHEN ORDERING HYDRAULIC CYLINDER COMPONENTS, BE SURE TO NOTE THE PART NUMBER AND THE CYLINDER PSI. (LOCATED ON THE CYLINDER DECAL AS THEY CONTAIN DIFFERENT COMPONENTS. OLDER CYLINDERS WERE 2500 PSI. AND THE NEW CYLINDERS ARE 3000 PSI. IDENTIFYING THE PART NUMBER OF THE CYLINDER IS EXTREMELY IMPORTANT WHEN ORDERING PARTS TO ENSURE PROPER OPERATION OF THE HYDRAULIC CYLINDER. WARMING THESE PARTS ARE IMPORTANT TO THE SAFETY OF THIS EQUIPMENT AND THOSE WHO OPERATE IT. USE ONLY EXACT REPLACEMENT PARTS TO PREVENT HYDRAULIC FAILURE. BEFORE REPLACING THESE PARTS, REVIEW AND FOLLOW THE INSTRUCTIONS IN THE SAFETY AND OPERATING SECTIONS OF THIS MANUAL.

I0003468
PR: t05g30h47b0010

4411 DISC RIPPER
SERVICE PARTS

MAIN LIFT HYDRAULICS (SERIAL #
04411H20000019 & LATER)



**4411 DISC RIPPER
SERVICE PARTS**

**MAIN LIFT HYDRAULICS (SERIAL #
04411H20000019 & LATER)**

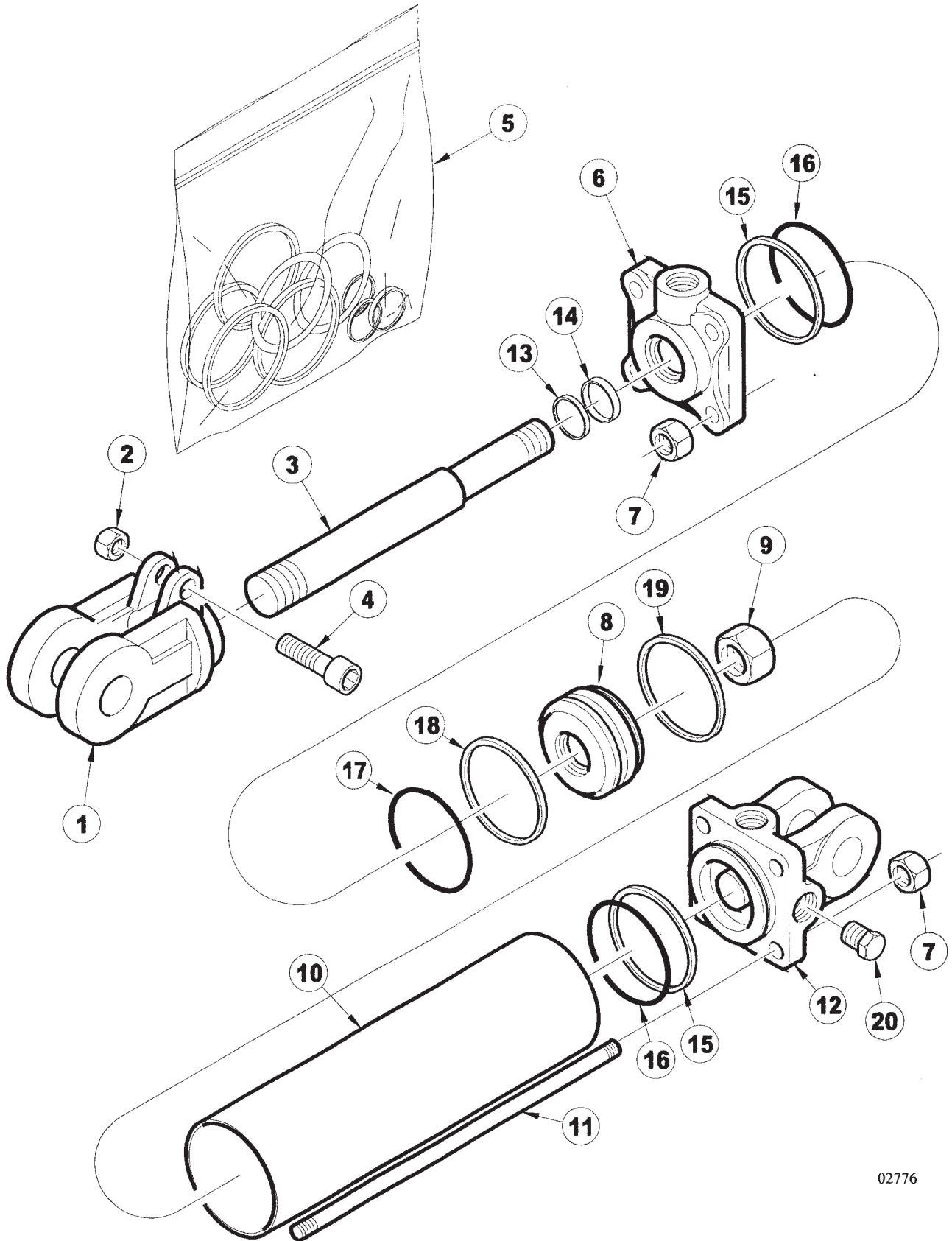
ITEM	NUMBER	QTY	DESCRIPTION
1	SN12758		COUPLER, MALE HALF, 3/4" (SERIAL #04411F20050002 & LATER)
	SN3253		HYDRAULIC COUPLER, MALE HALF (PRIOR TO SERIAL #04411F20050002)
2	SN4463		STRT THD.CONN., 3/4"-16 MF X 3/4"-16 MOR (SERIAL #04411F20050002 & LATER)
	SN2426		MALE CONNECTOR, 7/8"-14 MF X 1/2-14 MPT(PRIOR TO SERIAL #04411F20050002)
3	SN4150006		HOSE, 1/2 X 150 L, MALE TO FEMALE ENDS
4	SN4192005		HOSE, 1/2" X 192" L, FEMALE ENDS
5	SN4208005		HOSE, 1/2" X 208" L, FEMALE ENDS
6	SN4014005		HOSE, 1/2" X 14" L, FEMALE ENDS
7	SN4462		STRAIGHT THD. BRANCH TEE, 7/8"-14 M.F. X 3/4"-16 O.R.
8	SN4478		90 DEGREE SWIVEL ELBOW, 7/8"- 14 MF X 7/8"-14 FF
9	SN4066005		HOSE, 1/2" X 66" L, FEMALE ENDS
10	SN4457		90 DEGREES STRAIGHT THD ELBOW, 7/8"-14 M.F. X 3/4"-16 O.R.
11	SN4429		CYLINDER, 3 1/2" X 16" LIFT W/O STR (*VERSION 1, PRIOR TO 10/22/03)
	SN12043		CYLINDER, 3 1/2" X 16" LIFT W/O STR 3000 PSI (*VERSION 2, 10/22/03 & LATER)
12	SN4484		IN LINE RESTRICTOR, 1/2"-14 FPT, 5/32"
13	SN4475		MALE PIPE TO FEMALE TUBE, 1/2"-14 M.P.T. X 3/4"-16 O.R.
14	SN4454		90 DEGREES STR. THREAD ELBOW 3/4"-16 MF X 3/4"-16 O.R.
15	SN4458		PLUG, 3/4"-16 O.R.
16	SN5340		PIN, 1 1/4" X 4 1/16" (3"), Y/DMALE CONNECTOR, 7/8"-14 MF X 1/2-
17	SN3164		ROLL PIN, 5/16" X 2" SPIRAL MEDIUM DUTY, Y/D
18	SN6925		TRANSPORT LOCK
19	SN12268		PIN, WIRE LOCK 3/8" X 2 1/2", Y/D
20	SN5302		PIPE CLAMP, 3/8" BOLT HOLE
21	SN2426		MALE CONNECTOR, 7/8"-14 MF X 1/2-14 MPT

NOTE:*WHEN ORDERING HYDRAULIC CYLINDER COMPONENTS, BE SURE TO NOTE THE PART NUMBER AND THE CYLINDER PSI. (LOCATED ON THE CYLINDER DECAL AS THEY CONTAIN DIFFERENT COMPONENTS. OLDER CYLINDERS WERE 2500 PSI. AND THE NEW CYLINDERS ARE 3000 PSI. IDENTIFYING THE PART NUMBER OF THE CYLINDER IS EXTREMELY IMPORTANT WHEN ORDERING PARTS TO ENSURE PROPER OPERATION OF THE HYDRAULIC CYLINDER.

WARNING THESE PARTS ARE IMPORTANT TO THE SAFETY OF THIS EQUIPMENT AND THOSE WHO OPERATE IT. USE ONLY EXACT REPLACEMENT PARTS TO PREVENT HYDRAULIC FAILURE. BEFORE REPLACING THESE PARTS, REVIEW AND FOLLOW THE INSTRUCTIONS IN THE SAFETY AND OPERATING SECTIONS OF THIS MANUAL.

4411 DISC RIPPER
SERVICE PARTS

3 1/2" X 16" CYLINDER SN4429
(VERSION1, PRIOR TO 10/22/03)



**4411 DISC RIPPER
SERVICE PARTS**

29

**3 1/2" X 16" CYLINDER SN4429
(VERSION1, PRIOR TO 10/22/03)**

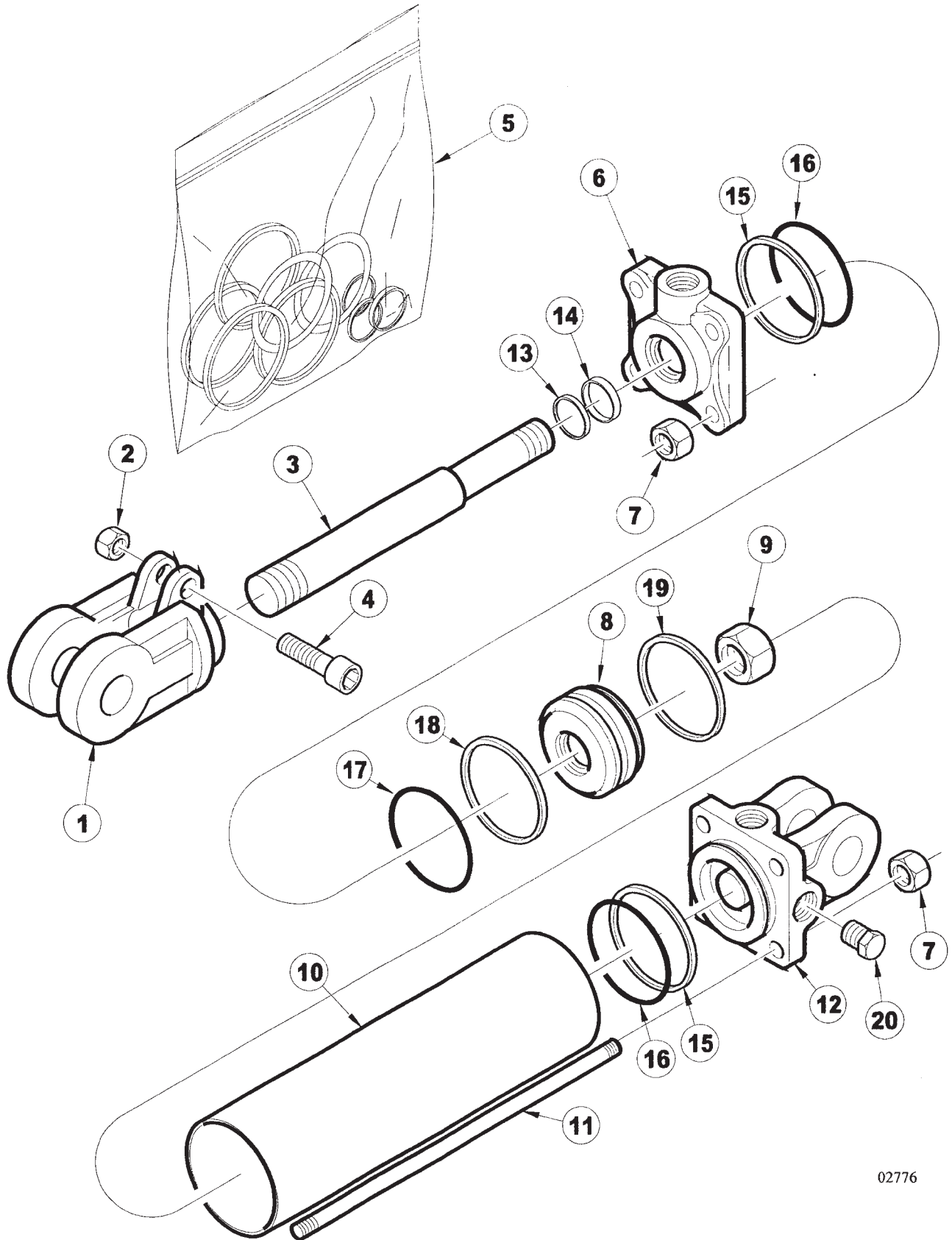
ITEM	NUMBER	QTY	DESCRIPTION
1	SN8618-1		CLEVIS, 1 1/4" THREADS, 1 1/4" PIN W/BUSHING, CROSS
2	SN8671-1		CAPSCREW NUT, 5/16" THREADS CROSS
3	SN8894-1		ROD, 1 1/2" DIA, 16" CROSS
4	SN8631-1		CAPSCREW, CROSS
5	SN8774-1		SEAL KIT, 3 1/2", 1 1/2" ROD, CROSS
6	SN8734-10		HEAD, 3 1/2", 1 1/2" ROD, CROSS (ORB)
7	SN8862-1		TIE ROD NUT, 1/2"-20 UNF CROSS
8	SN8712-1		PISTON, 3 1/2" W/1" HOLE CROSS
9	SN8686-1		PISTON NUT, 1" THREAD, CROSS
10	SN8823-1		TUBE, 3 1/2" X 16" CROSS
11	SN8853-1		TIE ROD BOLT, 3 1/2" X 16" CROSS
12	SN8704-10		BASE, 3 1/2" (ORB), 1 1/4" PIN CROSS
13			* WIPER
14			* U-CUP
15			* BACKUP
16			* O-RING
17			* O-RING
18			* TEFLON RING
19			* WEAR RING
20	SN4458		PLUG, 3/4"-16 O.R.

* AVAILABLE IN THE SEAL KIT ONLY!
NOTE: WHEN ORDERING HYDRAULIC CYLINDER COMPONENTS, BE SURE TO NOTE THE PART NUMBER AND THE CYLINDER PSI. (LOCATED ON THE CYLINDER DECAL AS THEY CONTAIN DIFFERENT COMPONENTS. OLDER CYLINDERS WERE 2500 PSI. AND THE NEW CYLINDERS ARE 3000 PSI. IDENTIFYING THE PART NUMBER OF THE CYLINDER IS EXTREMELY IMPORTANT WHEN ORDERING PARTS TO ENSURE PROPER OPERATION OF THE HYDRAULIC CYLINDER.

I0002776
PR: t05g30h47b0012

4411 DISC RIPPER
SERVICE PARTS

3 1/2" X 16" CYLINDER SN12043R
(VERSION 2, 10/22/03 & LATER)



**4411 DISC RIPPER
SERVICE PARTS**

31

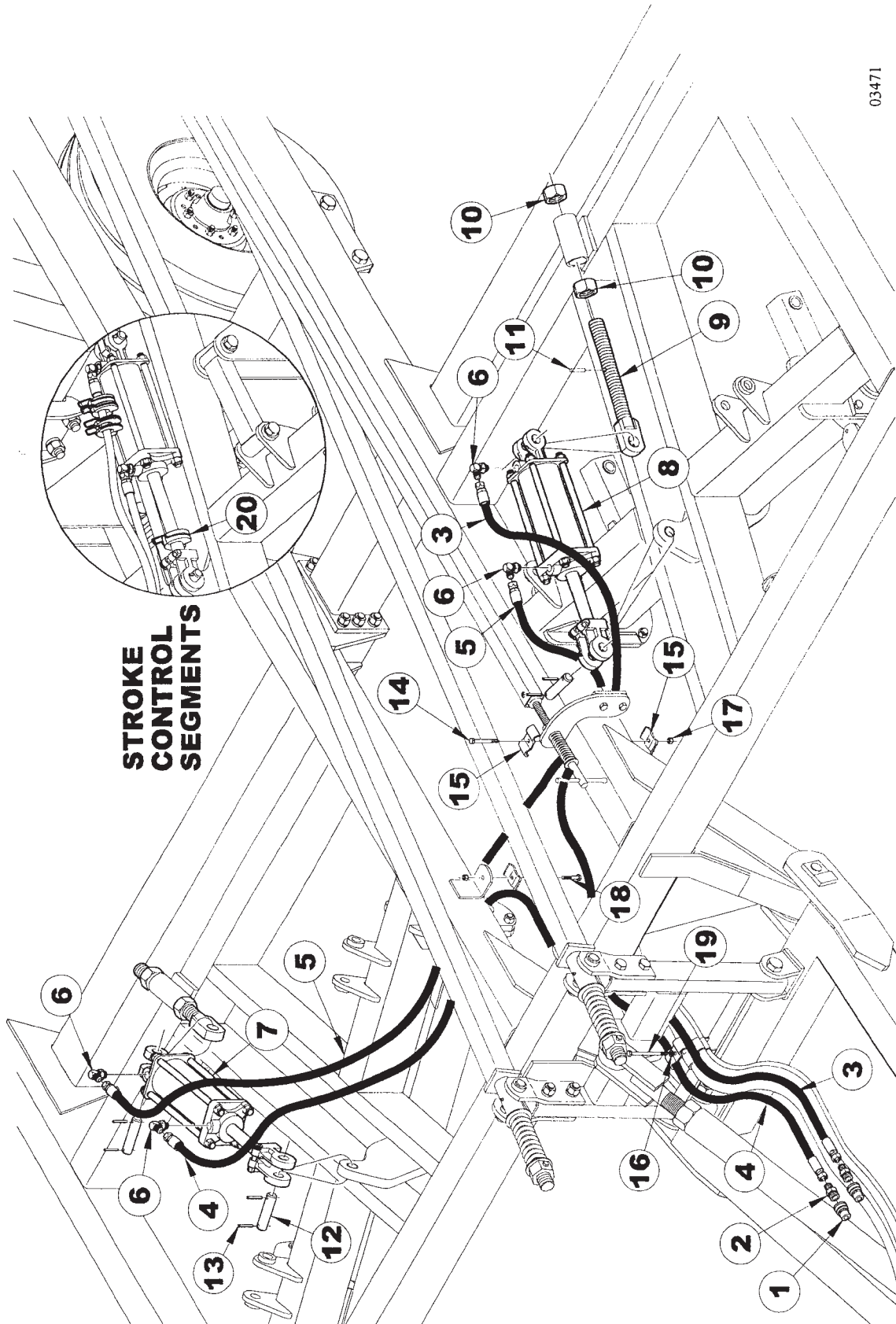
**3 1/2" X 16" CYLINDER SN12043R
(VERSION 2, 10/22/03 & LATER)**

ITEM	NUMBER	QTY	DESCRIPTION
1	SN8618-1		CLEVIS, 1 1/4" THREADS, 1 1/4" PIN W/BUSHING, CROSS
2	SN8671-1		CAPSCREW NUT, 5/16" THREADS CROSS
3	SN8972-1		ROD, 1 1/2" DIA, 16" CROSS
4	SN8631-1		CAPSCREW, CROSS
5	SN12015		SEAL KIT, 3 1/2", 1 1/2" ROD, CROSS
6	SN12018		HEAD, 3 1/2", 1 1/2" ROD, CROSS (ORB)
7	SN8863-1		TIE ROD NUT, 1/2"-20 UNF CROSS
8	SN8978-1		PISTON, 3 1/2" W/1" HOLE CROSS
9	SN8683-1		PISTON NUT, 1" THREAD, CROSS
10	SN12041		TUBE, 3 1/2" X 16" CROSS
11	SN12042		TIE ROD BOLT, 3 1/2" X 16" CROSS
12	SN12040		BASE, 3 1/2" (ORB), 1 1/4" PIN CROSS
13			* WIPER
14			* U-CUP
15			* BACKUP
16			* O-RING
17			* O-RING
18			* TEFLON RING
19			* WEAR RING
20	SN4458		PLUG, 3/4"-16 O.R.

* AVAILABLE IN THE SEAL KIT ONLY!
NOTE: WHEN ORDERING HYDRAULIC CYLINDER COMPONENTS, BE SURE TO NOTE THE PART NUMBER AND THE CYLINDER PSI. (LOCATED ON THE CYLINDER DECAL AS THEY CONTAIN DIFFERENT COMPONENTS. OLDER CYLINDERS WERE 2500 PSI. AND THE NEW CYLINDERS ARE 3000 PSI. IDENTIFYING THE PART NUMBER OF THE CYLINDER IS EXTREMELY IMPORTANT WHEN ORDERING PARTS TO ENSURE PROPER OPERATION OF THE HYDRAULIC CYLINDER.

I0002776
PR: t05g30h47b0013

FRONT GANG LIFT HYDRAULICS



03471

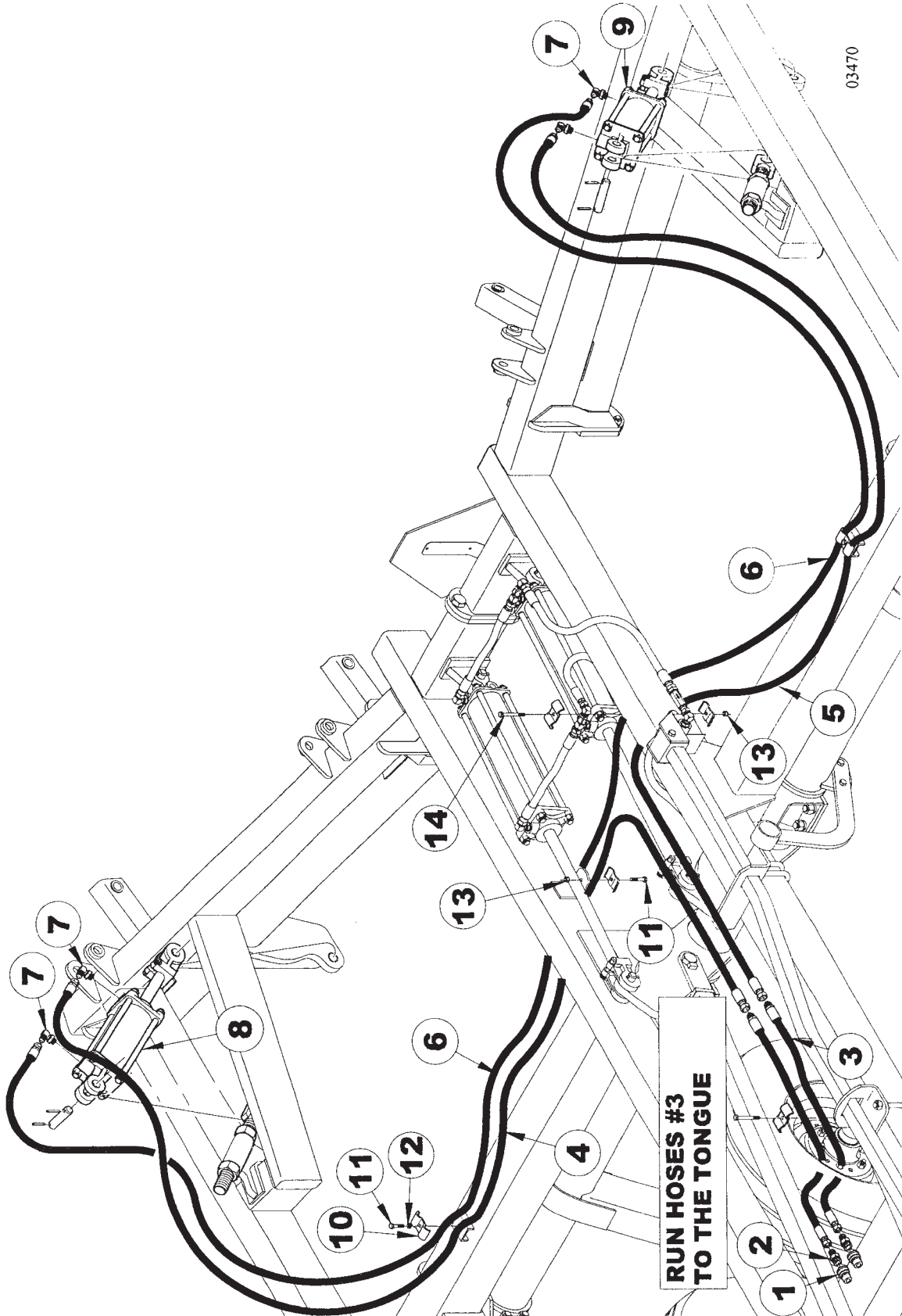
**4411 DISC RIPPER
SERVICE PARTS**

FRONT GANG LIFT HYDRAULICS

ITEM	NUMBER	QTY	DESCRIPTION
1	SN12758		COUPLER, MALE HALF, 3/4" (SERIAL #04411F20050002 & LATER)
2	SN4463		STRAIGHT THD.CONNECTOR, 3/4"-16 (SERIAL #04411F20050002 & LATER)
3	SN4222002		HOSE, 3/8" X 222" L, FEMALE ENDS (7 & 9 SHANK)
	SN4215002		HOSE, 3/8" X 215" L, FEMALE ENDS (5 SHANK)
4	SN4213002		HOSE, 3/8" X 213" L, FEMALE ENDS (7 & 9 SHANK)
	SN4206002		HOSE, 3/8" X 206" L, FEMALE ENDS (5 SHANK)
5	SN4110002		HOSE, 3/8" X 110" L, FEMALE ENDS (7 & 9 SHANK)
	SN4104002		HOSE, 3/8 X 104 L, FEMALE ENDS (5 SHANK)
6	SN4455		90 DEGREE STR THD ELBOW, 3/4"-16 MF X 3/4"-16 OR W/RESTRICTOR
7	SN4438		CYLINDER, 3 3/4" X 8" SLAVE (20 1/4" CPC)(*VERSION 1, PRIOR TO 6/27/03)
	SN12059		CYLINDER, 3 3/4" X 8" SLAVE, 3000 PSI (*VERSION 2, 6/27/03 & LATER)
8	SN4437		CYLINDER, 4" X 8" MASTER W/O STR CON (*VERSION 1, PRIOR TO 8/12/03)
	SN12047		CYLINDER, 4" X 8" MASTER W/O STR CON, 3000 (*VERSION 2, 8/12/03 & LATER)
9	SN7334		ADJUSTABLE CYLINDER BLOCK
10	SN2079		HEX NUT, 1 1/2"-6, GR 2, Y/D
11	SN4623		GUIDE PIN
12	SN5339		PIN, 1" X 4 1/16" (3"), Y/D
13	SN3164		ROLL PIN, 5/16 X 2 SPIRAL MED DUTY, Y/D
14	SN2487		HEX BOLT, 3/8"-16 X 2 1/2", GR 5, Y/D
15	SN5302		PIPE CLAMP, 3/8" BOLT HOLE
16	SN176		LOCK WASHER, 3/8" SPLIT TYPE MED, Y/D
17	SN3567		LOCK NUT, 3/8-16 HEX NYL INSERT, GR 2, Y/D
18	SN175		HEX BOLT, 3/8"-16 X 1 1/2", GR 5, Y/D
19	SN3565		HEX BOLT, 3/8"-16 X 3 1/2", GR 5, Y/D (3 HOSES STACKED)
20	SN3451		STROKE CONTROL KIT, (1/4, 3/8, 1/2, 3/4, 1)
21	SN3253		HYDRAULIC COUPLER, MALE HALF (PRIOR TO SERIAL #04411F20050002)
22	SN2426		MALE CONN, 7/8"-14 MF X 1/2-14 MPT (PRIOR TO SERIAL #04411F20050002)

NOTE: *WHEN ORDERING HYDRAULIC CYLINDER COMPONENTS, BE SURE TO NOTE THE PART NUMBER AND THE CYLINDER PSI. (LOCATED ON THE CYLINDER DECAL AS THEY CONTAIN DIFFERENT COMPONENTS. OLDER CYLINDERS WERE 2500 PSI. AND THE NEW CYLINDERS ARE 3000 PSI. IDENTIFYING THE PART NUMBER OF THE CYLINDER IS EXTREMELY IMPORTANT WHEN ORDERING PARTS TO ENSURE PROPER OPERATION OF THE HYDRAULIC CYLINDER.
WARNING THESE PARTS ARE IMPORTANT TO THE SAFETY OF THIS EQUIPMENT AND THOSE WHO OPERATE IT. USE ONLY EXACT REPLACEMENT PARTS TO PREVENT HYDRAULIC FAILURE. BEFORE REPLACING THESE PARTS REVIEW AND FOLLOW THE INSTRUCTIONS IN THE SAFETY AND OPERATING SECTIONS OF THIS MANUAL.

REAR GANG HYDRAULICS
(SERIAL # 04411G20000018 & EARLIER)



**4411 DISC RIPPER
SERVICE PARTS**

35

**REAR GANG HYDRAULICS
(SERIAL # 04411G20000018 & EARLIER)**

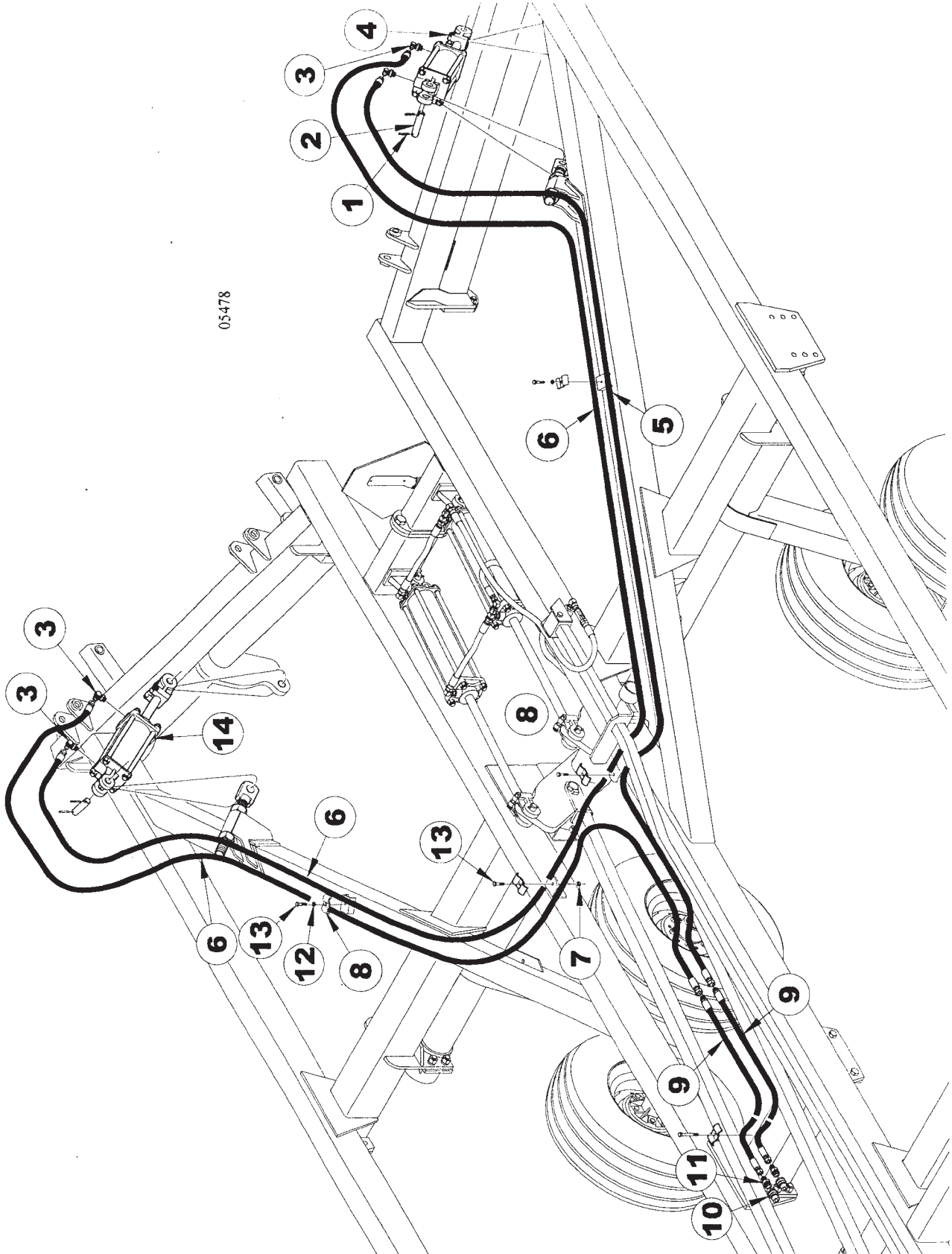
ITEM	NUMBER	QTY	DESCRIPTION
1	SN3253		HYDRAULIC COUPLER, MALE HALF
2	SN2425		MALE CONNECTOR, 3/4"-16 M.F. X . 1/2"-14 M.P.T
3	SN4207003		HOSE, 3/8" X 207" L, MALE TO FEMALE ENDS
4	SN4240002		HOSE, 3/8" X 240" L, FEMALE ENDS (7 & 9 SHANK)
	SN4210002		HOSE, 3/8" X 210" L, FEMALE ENDS (5 SHANK)
5	SN4214002		HOSE, 3/8" X 214" L, FEMALE ENDS (7 & 9 SHANK)
	SN4184002		HOSE, 3/8" X 184" L, FEMALE ENDS (5 SHANK)
6	SN4238002		HOSE, 3/8" X 238" L, FEMALE ENDS (7 & 9 SHANK)
	SN4132002		HOSE, 3/8" X 132" L, FEMALE ENDS (5 SHANK)
7	SN4455		90 DEGREE STR THD ELBOW, 3/4"-16 MF X 3/4"-16 OR W/RESTRICTOR
8	SN4438		CYLINDER, 3 3/4" X 8" SLAVE (20 1/4" CPC) (*VERSION 1, PRIOR TO 6/27/03)
	SN12059		CYLINDER, 3 3/4" X 8" SLAVE 3000 PSI (*VERSION 2, 6/27/03 & LATER)
9	SN4437		CYLINDER, 4" X 8" MASTER W/O STR CON (*VERSION 1, PRIOR TO 8/12/03)
	SN12047		CYLINDER, 4" X 8" MASTER W/O STRCON, 3000 (*VERSION 2, 8/12/03 & LATER)
10	SN5302		PIPE CLAMP, 3/8" BOLT HOLE
11	SN175		HEX BOLT, 3/8"-16 X 1 1/2", GR 5, Y/D
12	SN176		LOCK WASHER, 3/8" SPLIT TYPE MED, Y/D
13	SN3567		LOCK NUT, 3/8"-16 HEX NYLON INSERT, GR2, Y/D
14	SN2487		HEX BOLT, 3/8"-16 X 2 1/2", GR 5, Y/D

NOTE:*WHEN ORDERING HYDRAULIC CYLINDER COMPONENTS, BE SURE TO NOTE THE PART NUMBER AND THE CYLINDER PSI. (LOCATED ON THE CYLINDER DECAL AS THEY CONTAIN DIFFERENT COMPONENTS. OLDER CYLINDERS WERE 2500 PSI. AND THE NEW CYLINDERS ARE 3000 PSI. IDENTIFYING THE PART NUMBER OF THE CYLINDER IS EXTREMELY IMPORTANT WHEN ORDERING PARTS TO ENSURE PROPER OPERATION OF THE HYDRAULIC CYLINDER.
WARNING THESE PARTS ARE IMPORTANT TO THE SAFETY OF THIS EQUIPMENT AND THOSE WHO OPERATE IT. USE ONLY EXACT REPLACEMENT PARTS TO PREVENT HYDRAULIC FAILURE. BEFORE REPLACING THESE PARTS, REVIEW AND FOLLOW THE INSTRUCTIONS IN THE SAFETY AND OPERATING SECTIONS OF THIS MANUAL.

I0003470
PR: t05g30h47b0015

4411 DISC RIPPER
SERVICE PARTS

REAR GANG HYDRAULICS
(SERIAL # 04411H20000019 & LATER)



**4411 DISC RIPPER
SERVICE PARTS**

37

**REAR GANG HYDRAULICS
(SERIAL # 04411H20000019 & LATER)**

ITEM	NUMBER	QTY	DESCRIPTION
1	SN12758		COUPLER, MALE HALF, 3/4"
2	SN4463		STRAIGHT THD.CONNECTOR, 3/4"-16
3	SN4455		90 DEGREE STR THD ELBOW, 3/4"-16 MF
4	SN4437		CYLINDER, 4" X 8" MASTER W/O STR CON (*VERSION 1, PRIOR TO 8/12/03)
	SN12047		CYLINDER, 4" X 8" MASTER W/O STRCON, 3000 (*VERSION 2, 8/12/03 & LATER)
5	SN4204002		HOSE, 3/8" X 204" L, FEMALE ENDS
6	SN4228002		HOSE, 3/8" X 228" L, FEMALE ENDS
7	SN3567		LOCK NUT, 3/8"-16 HEX NYLON INSERT
8	SN5302		PIPE CLAMP, 3/8" BOLT HOLE
9	SN4207003		HOSE, 3/8" X 207" L, M/F ENDS
10	SN3253		HYDRAULIC COUPLER, MALE HALF
11	SN2425		MALE CONNECTOR, 3/4"-16 M.F. X 1/2"-14 MPT
12	SN176		LOCK WASHER, 3/8" SPLIT TYPE MED, Y/D
13	SN175		HEX BOLT, 3/8"-16 X 1 1/2", GR 5, Y/D
14	SN4438		CYLINDER, 3 3/4" X 8" SLAVE (20 1/4" CPC) ORB CROSS

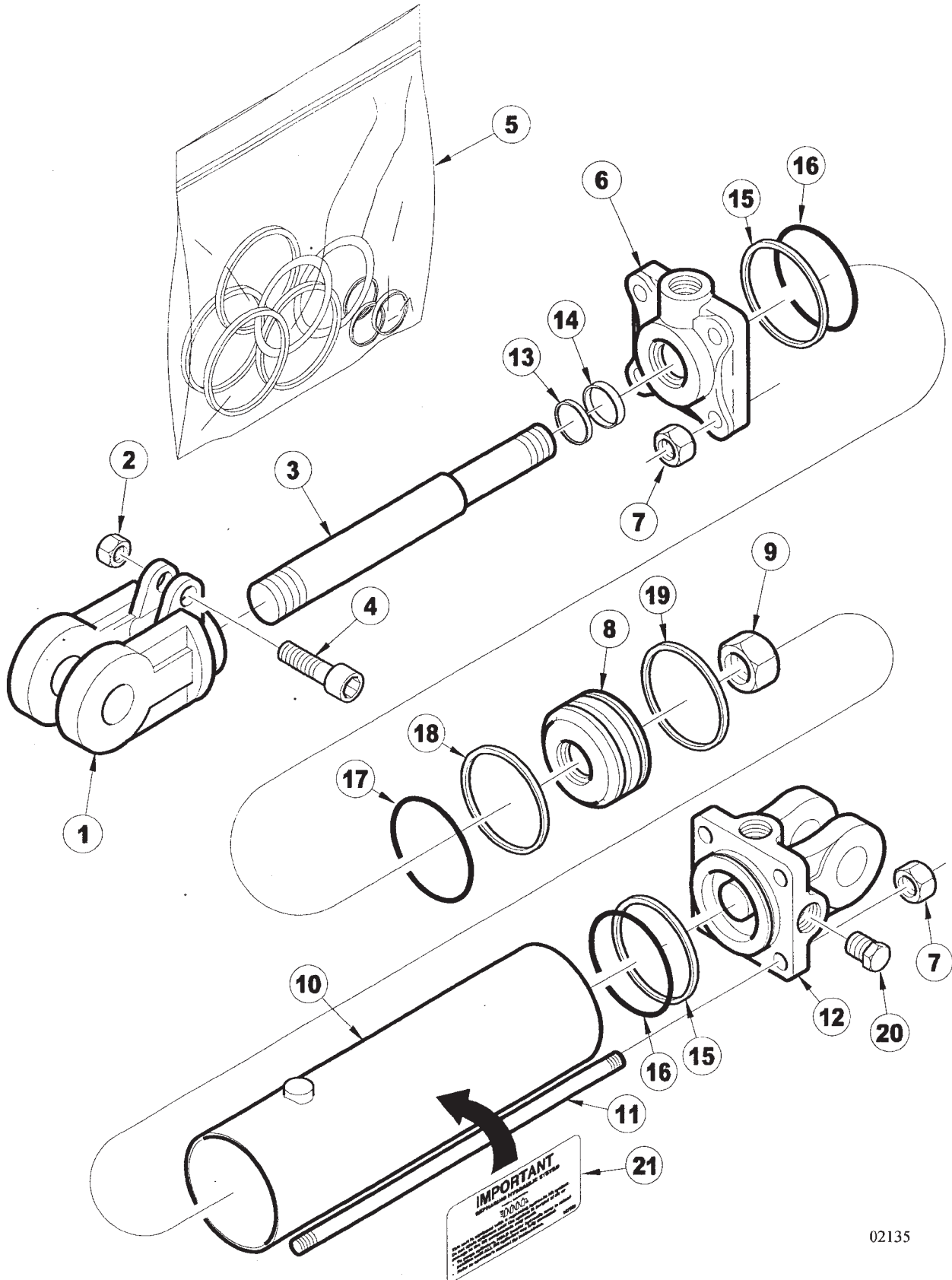
NOTE:*WHEN ORDERING HYDRAULIC CYLINDER COMPONENTS, BE SURE TO NOTE THE PART NUMBER AND THE CYLINDER PSI. (LOCATED ON THE CYLINDER DECAL AS THEY CONTAIN DIFFERENT COMPONENTS. OLDER CYLINDERS WERE 2500 PSI. AND THE NEW CYLINDERS ARE 3000 PSI. IDENTIFYING THE PART NUMBER OF THE CYLINDER IS EXTREMELY IMPORTANT WHEN ORDERING PARTS TO ENSURE PROPER OPERATION OF THE HYDRAULIC CYLINDER.

WARNING THESE PARTS ARE IMPORTANT TO THE SAFETY OF THIS EQUIPMENT AND THOSE WHO OPERATE IT. USE ONLY EXACT REPLACEMENT PARTS TO PREVENT HYDRAULIC FAILURE. BEFORE REPLACING THESE PARTS, REVIEW AND FOLLOW THE INSTRUCTIONS IN THE SAFETY AND OPERATING SECTIONS OF THIS MANUAL.

I0005478
PR: t05g30h47b0016

4411 DISC RIPPER
SERVICE PARTS

4" X 8" HYDRAULIC CYLINDER 4437
(VERSION 1, PRIOR TO 8/12/03)



**4411 DISC RIPPER
SERVICE PARTS**

39

**4" X 8" HYDRAULIC CYLINDER 4437
(VERSION 1, PRIOR TO 8/12/03)**

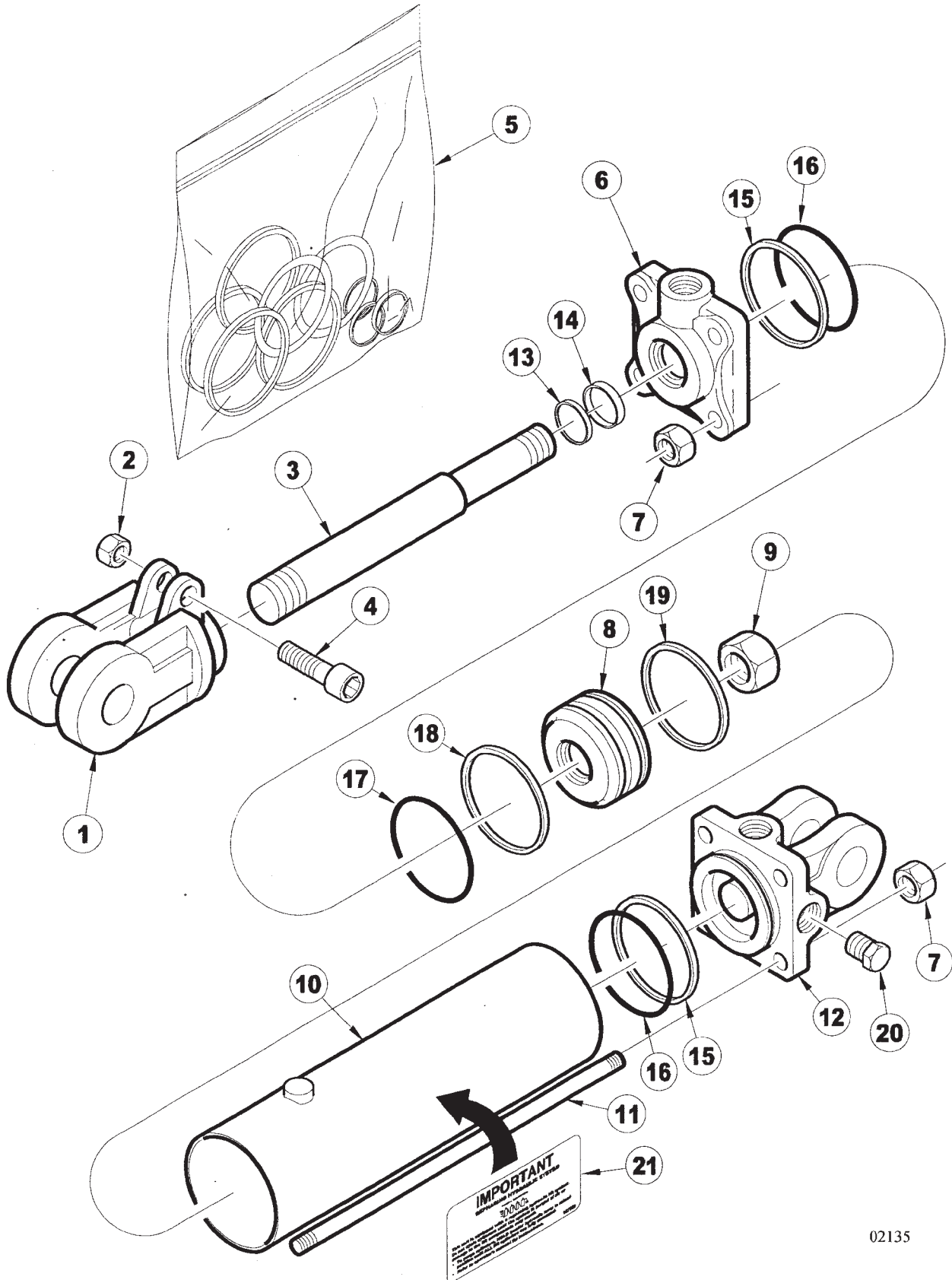
ITEM	NUMBER	QTY	DESCRIPTION
1	SN8610-1		CLEVIS, 1 1/4" THREADS, 1" PIN W/BUSHING, CROSS
2	SN8671-1		CAPSCREW NUT, 5/16" THREADS CROSS
3	SN8898-1		ROD, 1 3/8" DIA, 8" REPHASING, CROSS
4	SN8631-1		CAPSCREW, CROSS
5	SN8781-1		SEAL KIT, 4", 1 3/8" ROD REPHASING, CROSS
6	SN8739-10		HEAD, 4" 1 3/8" ROD, REPHASING CROSS
7	SN8864-1		TIE ROD NUT, 5/8" THREADS CROSS
8	SN8718-1		PISTON, 4" W/1" HOLE REPHASING CROSS
9	SN8683-1		PISTON NUT, 1" CROSS
10	SN8830-1		TUBE, 4" X 8" REPHASING CROSS
11	SN8851-1		TIE ROD BOLT, 8" CROSS
12	SN8699-10		BASE, 4" REPHASING, CROSS
13			* WIPER
14			* U-CUP
15			* BACKUP
16			* O-RING
17			* O-RING
18			* TEFLON RING
19			* WEAR RING
20	SN4458		PLUG, 3/4"-16 O.R.
21	SN997052		SYSTEMS MUST BE BLED OF AIR - DECAL

* AVAILABLE IN THE SEAL KIT ONLY!
NOTE: WHEN ORDERING HYDRAULIC CYLINDER COMPONENTS, BE SURE TO NOTE THE PART NUMBER AND THE CYLINDER PSI. (LOCATED ON THE CYLINDER DECAL AS THEY CONTAIN DIFFERENT COMPONENTS. OLDER CYLINDERS WERE 2500 PSI. AND THE NEW CYLINDERS ARE 3000 PSI. IDENTIFYING THE PART NUMBER OF THE CYLINDER IS EXTREMELY IMPORTANT WHEN ORDERING PARTS TO ENSURE PROPER OPERATION OF THE HYDRAULIC CYLINDER.

I0002135
PR: t05g30h47b0017

4411 DISC RIPPER SERVICE PARTS

4" X 8" HYDRAULIC CYLINDER 12047R (VERSION 2, 8/12/03 & LATER)



4411 DISC RIPPER
SERVICE PARTS

41

4" X 8" HYDRAULIC CYLINDER 12047R
(VERSION 2, 8/12/03 & LATER)

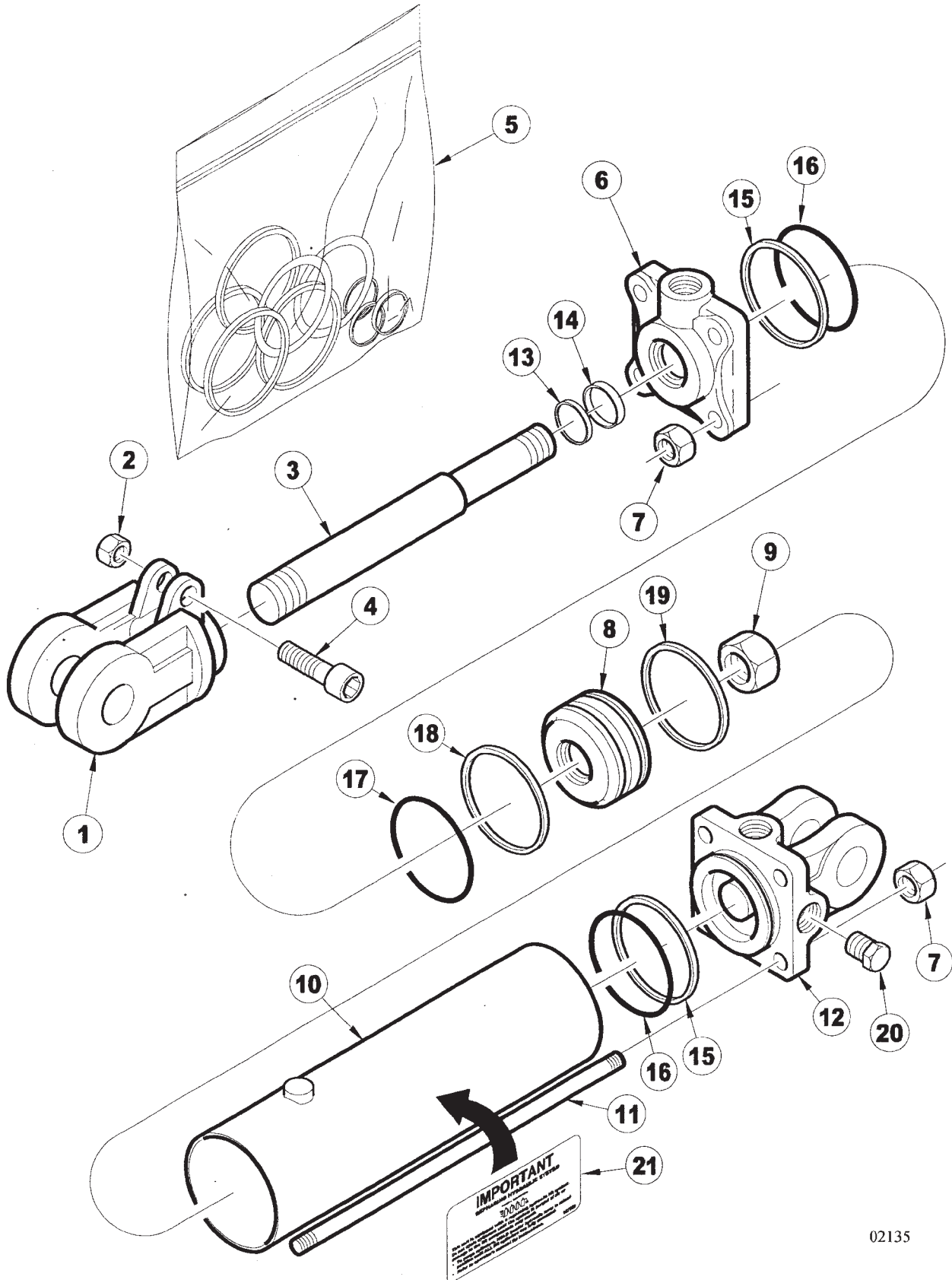
ITEM	NUMBER	QTY	DESCRIPTION
1	SN8610-1		CLEVIS, 1 1/4" THREADS, 1" PIN W/BUSHING, CROSS
2	SN8671-1		CAPSCREW NUT, 5/16" THREADS CROSS
3	SN12055		ROD, 1 3/8" DIA, 8" REPHASING, CROSS
4	SN8631-1		CAPSCREW, CROSS
5	SN8781-1		SEAL KIT, 4", 1 3/8" ROD REPHASING, CROSS
6	SN8739-10		HEAD, 4" 1 3/8" ROD, REPHASING CROSS
7	SN8864-1		TIE ROD NUT, 5/8" THREADS CROSS
8	SN8653-1		PISTON, 4" W/1" HOLE REPHASING CROSS
9	SN8683-1		PISTON NUT, 1" CROSS
10	SN8830-1		TUBE, 4" X 8" REPHASING CROSS
11	SN12033		TIE ROD BOLT, 8" CROSS
12	SN8670-10		BASE, 4" REPHASING, CROSS
13			* WIPER
14			* U-CUP
15			* BACKUP
16			* O-RING
17			* O-RING
18			* TEFLON RING
19			* WEAR RING
20	SN4458		PLUG, 3/4"-16 O.R.
21	SN997052		SYSTEMS MUST BE BLED OF AIR - DECAL

* AVAILABLE IN THE SEAL KIT ONLY!
NOTE: WHEN ORDERING HYDRAULIC CYLINDER
COMPONENTS, BE SURE TO NOTE THE PART
NUMBER AND THE CYLINDER PSI. (LOCATED
ON THE CYLINDER DECAL AS THEY CONTAIN
DIFFERENT COMPONENTS. OLDER CYLINDERS
WERE 2500 PSI. AND THE NEW CYLINDERS
ARE 3000 PSI. IDENTIFYING THE PART
NUMBER OF THE CYLINDER IS EXTREMELY
IMPORTANT WHEN ORDERING PARTS TO
ENSURE PROPER OPERATION OF THE
HYDRAULIC CYLINDER.

I0002135
PR: t05g30h47b0018

4411 DISC RIPPER
SERVICE PARTS

3 3/4" X 8" HYDRAULIC CYLINDER 4438
(VERSION 1, PRIOR TO 6/27/03)



**4411 DISC RIPPER
SERVICE PARTS**

43

**3 3/4" X 8" HYDRAULIC CYLINDER 4438
(VERSION 1, PRIOR TO 6/27/03)**

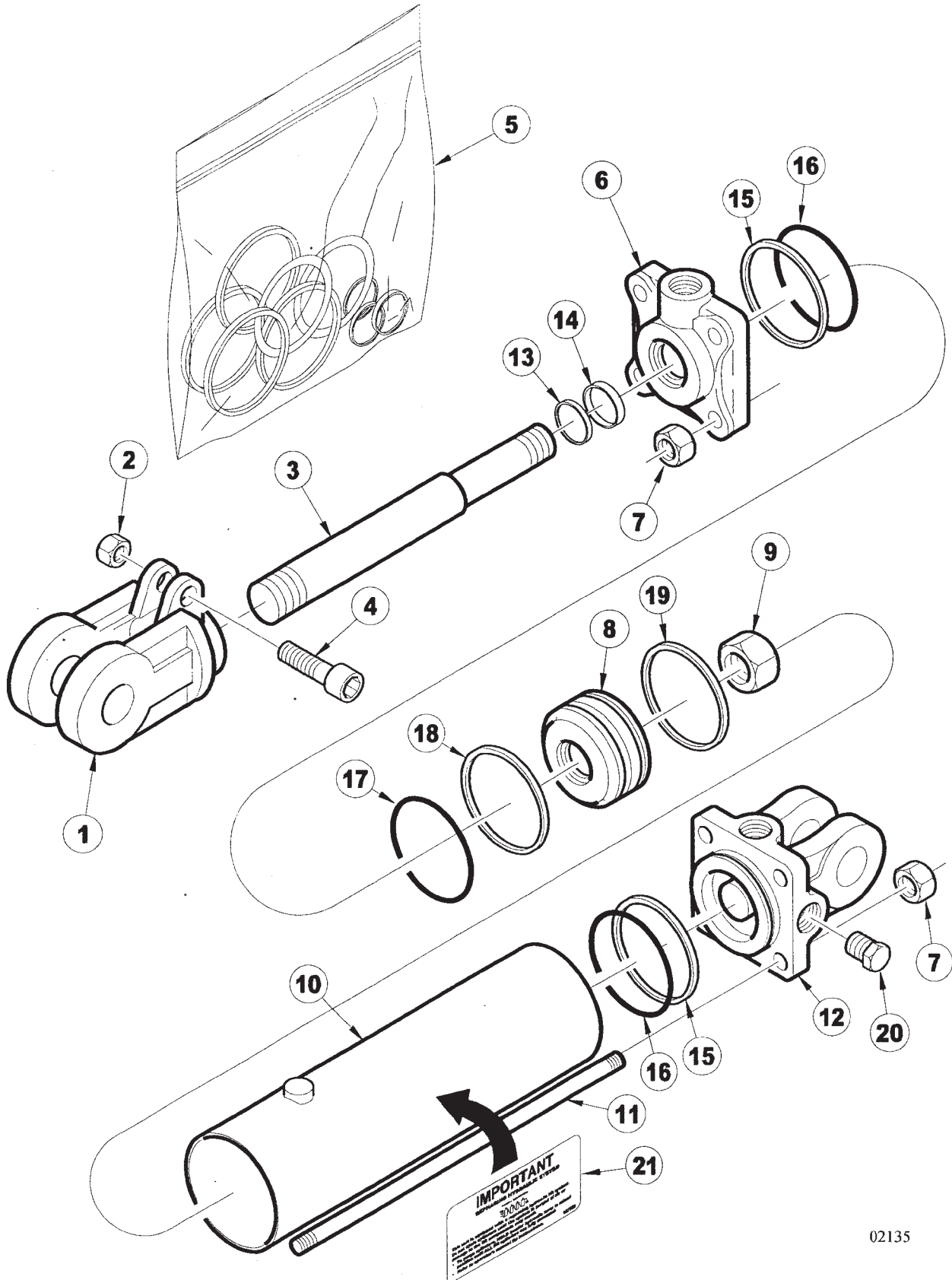
ITEM	NUMBER	QTY	DESCRIPTION
1	SN8610-1		CLEVIS, 1 1/4" THREADS, 1" PIN W/BUSHING, CROSS
2	SN8671-1		CAPSCREW NUT, 5/16" THREADS CROSS
3	SN8898-1		ROD, 1 3/8" DIA, 8" REPHASING, CROSS
4	SN8631-1		CAPSCREW, CROSS
5	SN8776-1		SEAL KIT, 3 3/4", 1 3/8" ROD, REPHASING CROSS
6	SN8736-10		HEAD, 3 3/4", 1 3/8" ROD REPHASING, CROSS
7	SN8864-1		TIE ROD NUT, 5/8" THREADS CROSS
8	SN8717-1		PISTON, 3 3/4" W/1" HOLE REPHASING CROSS
9	SN8683-1		PISTON NUT, 1" CROSS
10	SN8827-1		TUBE, 3 3/4" X 8" REPHASING CROSS
11	SN8851-1		TIE ROD BOLT, 8" CROSS
12	SN8698-10		BASE, 3 3/4" (ORB), 1" PIN REPHASING CROSS
13			* WIPER
14			* U-CUP
15			* BACKUP
16			* O-RING
17			* O-RING
18			* TEFLON RING
19			* WEAR RING
20	SN4458		PLUG, 3/4"-16 O.R.
21	SN997052		SYSTEMS MUST BE BLED OF AIR - DECAL

* AVAILABLE IN THE SEAL KIT ONLY!
NOTE:WHEN ORDERING HYDRAULIC CYLINDER
COMPONENTS, BE SURE TO NOTE THE PART
NUMBER AND THE CYLINDER PSI. (LOCATED
ON THE CYLINDER DECAL AS THEY CONTAIN
DIFFERENT COMPONENTS. OLDER CYLINDERS
WERE 2500 PSI. AND THE NEW CYLINDERS
ARE 3000 PSI. IDENTIFYING THE PART
NUMBER OF THE CYLINDER IS EXTREMELY
IMPORTANT WHEN ORDERING PARTS TO
ENSURE PROPER OPERATION OF THE
HYDRAULIC CYLINDER.

I0002135
PR: t05g30h47b0019

4411 DISC RIPPER SERVICE PARTS

3 3/4" X 8" CYLINDER SN12059R
(VERSION 2, 6/27/03 & LATER)



**4411 DISC RIPPER
SERVICE PARTS**

45

**3 3/4" X 8" CYLINDER SN12059R
(VERSION 2, 6/27/03 & LATER)**

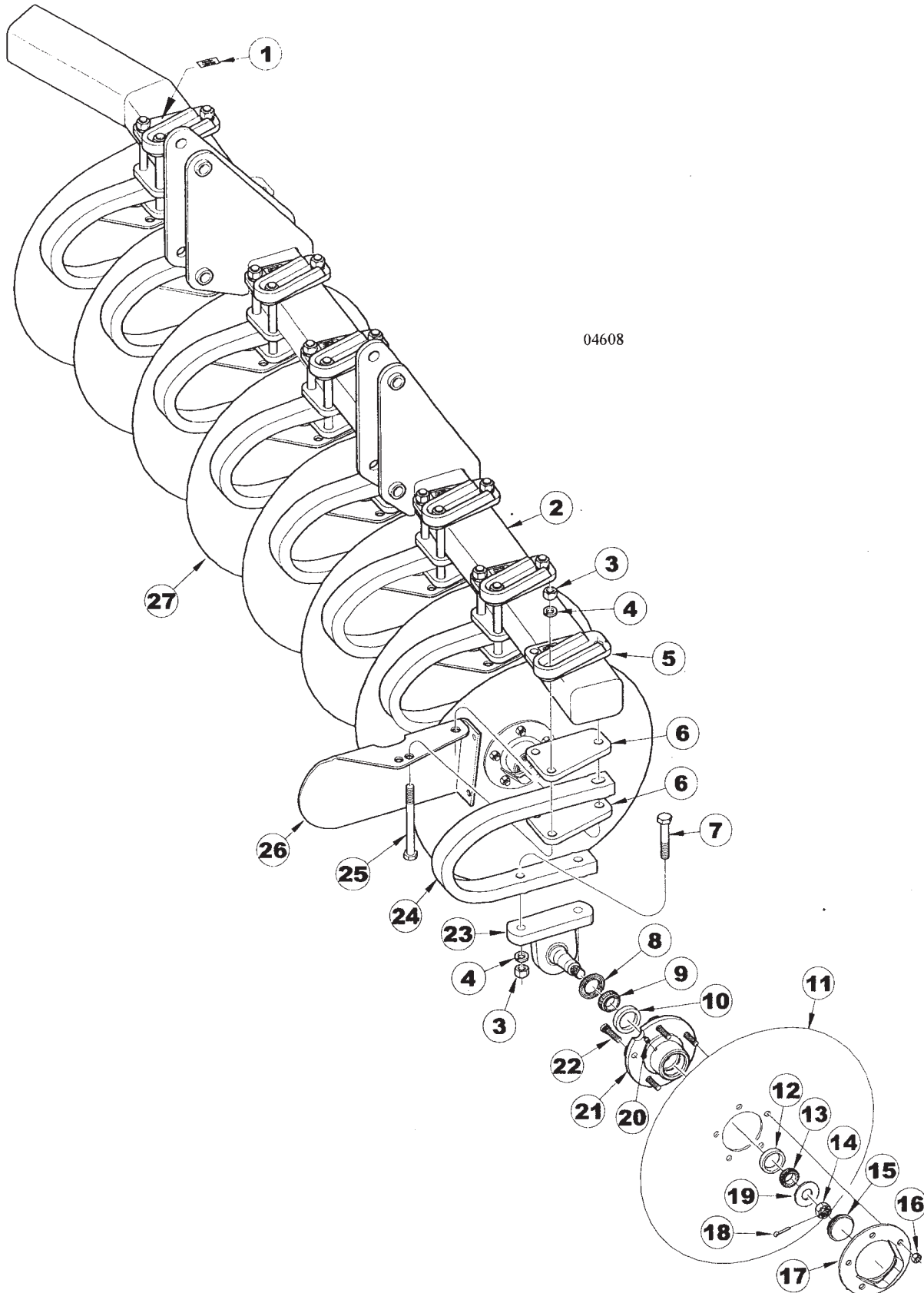
ITEM	NUMBER	QTY	DESCRIPTION
1	SN8610-1		CLEVIS, 1 1/4" THREADS, 1" PIN W/BUSHING, CROSS
2	SN8671-1		CAPSCREW NUT, 5/16" THREADS CROSS
3	SN12055		ROD, 1 3/8" DIA, 8" REPHASING, CROSS
4	SN8631-1		CAPSCREW, CROSS
5	SN8776-1		SEAL KIT, 3 3/4", 1 3/8" ROD, REPHASING CROSS
6	SN8736-10		HEAD, 3 3/4", 1 3/8" ROD REPHASING, CROSS
7	SN8864-1		TIE ROD NUT, 5/8" THREADS CROSS
8	SN8655-1		PISTON, 3 3/4" W/1" HOLE REPHASING CROSS
9	SN8683-1		PISTON NUT, 1" CROSS
10	SN8827-1		TUBE, 3 3/4" X 8" REPHASING CROSS
11	SN12033		TIE ROD BOLT, 8" CROSS
12	SN8656-10		BASE, 3 3/4" (ORB), 1" PIN REPHASING CROSS
13			* WIPER
14			* U-CUP
15			* BACKUP
16			* O-RING
17			* O-RING
18			* TEFLON RING
19			* WEAR RING
20	SN4458		PLUG, 3/4"-16 O.R.
21	SN997052		SYSTEMS MUST BE BLED OF AIR - DECAL

* AVAILABLE IN THE SEAL KIT ONLY!
NOTE:WHEN ORDERING HYDRAULIC CYLINDER
COMPONENTS, BE SURE TO NOTE THE PART
NUMBER AND THE CYLINDER PSI. (LOCATED
ON THE CYLINDER DECAL AS THEY CONTAIN
DIFFERENT COMPONENTS. OLDER CYLINDERS
WERE 2500 PSI. AND THE NEW CYLINDERS
ARE 3000 PSI. IDENTIFYING THE PART
NUMBER OF THE CYLINDER IS EXTREMELY
IMPORTANT WHEN ORDERING PARTS TO
ENSURE PROPER OPERATION OF THE
HYDRAULIC CYLINDER.

I0002135
PR: t05g30h47b0020

4411 DISC RIPPER
SERVICE PARTS

INDIVIDUAL FRONT BLADE ASSEMBLY
(VERSION 1)



**4411 DISC RIPPER
SERVICE PARTS**

47

**INDIVIDUAL FRONT BLADE ASSEMBLY
(VERSION 1)**

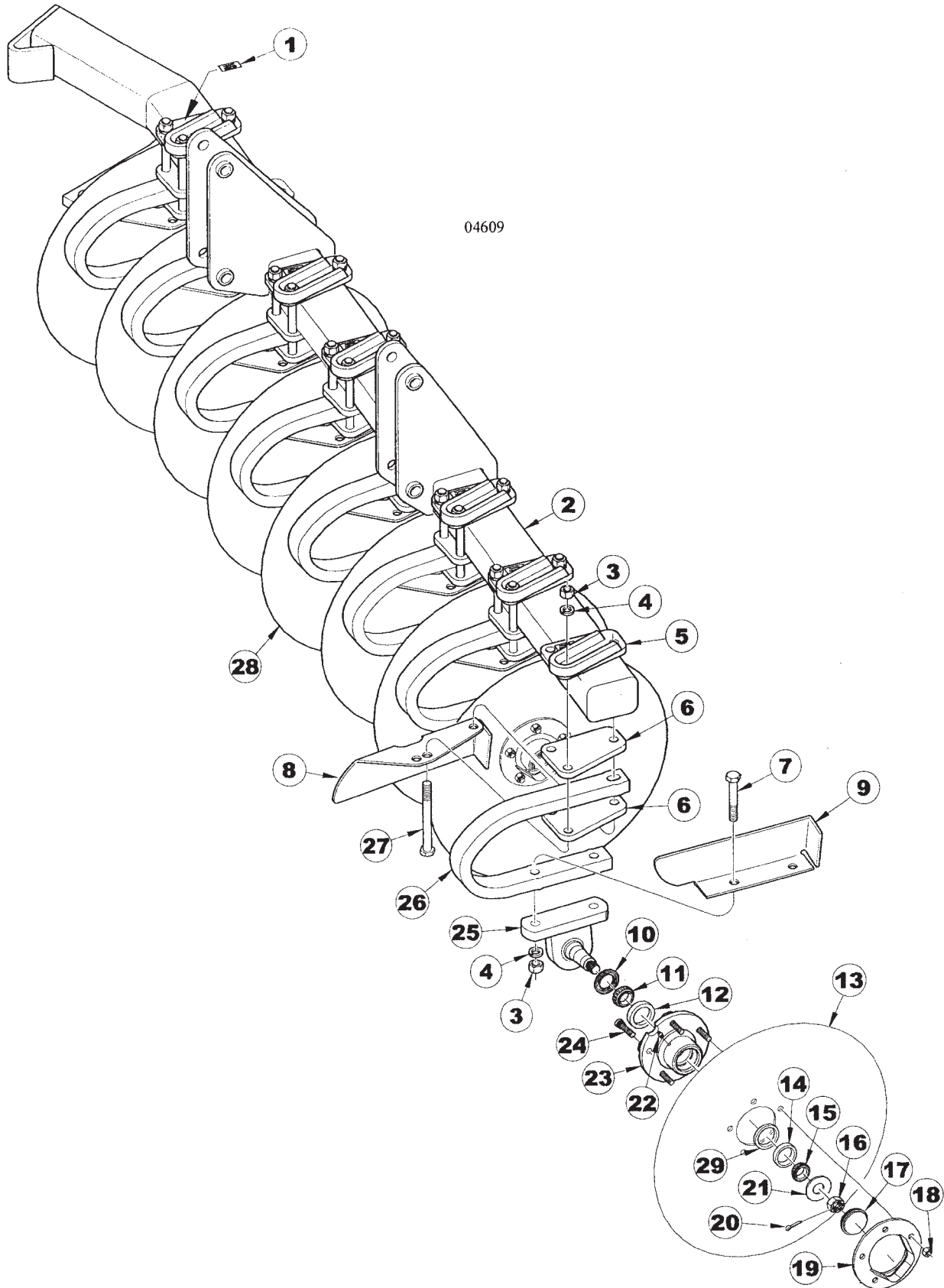
ITEM	NUMBER	QTY	DESCRIPTION
1	SN997402		PATENT PENDING DECAL
2	SN9157		GANG BAR, 92 3/4", LT FRONT, 7 @ 24
	SN9158		GANG BAR, 102", RT FRONT, 7 @ 30 & 9 @ 24
	SN9159		GANG BAR, 118 3/4", LT FRONT, 7 @ 30 & 9 @ 24
	SN9154		GANG BAR, 63", RT FRONT, 5 @ 30
	SN9155		GANG BAR, 79 3/4", LT FRONT, 5 @ 30
	SN9156		GANG BAR, 76", RT FRONT, 7 @ 24
3	SN106		HEX NUT, 3/4"-10 FULL, GR 5, Y/D
4	SN1040		LOCK WASHER, 3/4" SPLIT TYPE MED, Y/D
5	SN9196		C-FLEX CLAMP PLATE, TOP RT
	SN9197		C-FLEX CLAMP PLATE, TOP LT (SHOWN)
6	SN9033		C-FLEX CLAMP PLATE
7	SN1345		HEX BOLT, 3/4"-10 X 3", GR 5, Y/D
8	SNFK310044		TRIPLE LIP SEAL
9	SN1606		BEARING (LM67048)
10	SN1603		RACE (LM48510)
11	SN7602N		20.18" BLADE, 5 BOLT,.256" THICK, 1.55" CON 1.55" CON
12	SN1605		RACE (LM67010)
13	SN1602		BEARING (LM48548)
14	SN2491		HEX NUT, 7/8"-14 FULL SLOTTED GR 2, PLAIN
15	SN7604		DUST CAP, 2.448" OD X.74" TH, Y/D
16	SN1611		LUG NUT, 1/2"-20, GR 5, 90 DEG TAPER, Y/D
17	SN7377		RETAINER, HUB CAP
18	SN1609		COTTER PIN, 3/16" X 1 1/2"
19	SNFK340051		FLAT WASHER, 2" OD X 15/16" ID SPECIAL
20	SN2098-6		GREASE ZERK, 1/4"-28, 17/32" L
21	SNFK340090		FIVE BOLT HUB W/CUPS
22	SN1611-1		SHOULDER BOLT, 1/2"-20 X 2" PRESS IN, 5/8" SHOULDER
23	SN9119		SPINDLE, INDIVIDUAL DISC
24	SN5978		SHANK, C-FLEX, 1" X 2 1/2", LEFT (SHOWN)
	SN5977		SHANK, C-FLEX, 1" X 2 1/2", RIGHT
25	SN918		HEX BOLT, 3/4"-10 X 8", GR 5, Y/D
26	SN9123		C-FLEX MOUNT SHIELD, RT
	SN9124		C-FLEX MOUNT SHIELD, LT
27	SN7599N		22.33" BLADE, 5 BOLT,.256" THICK, 2" CON

I0004608
PR: t05g30h47b0021

4411 DISC RIPPER
SERVICE PARTS

INDIVIDUAL FRONT BLADE ASSEMBLY
(VERSION 2)

04609



**4411 DISC RIPPER
SERVICE PARTS**

49

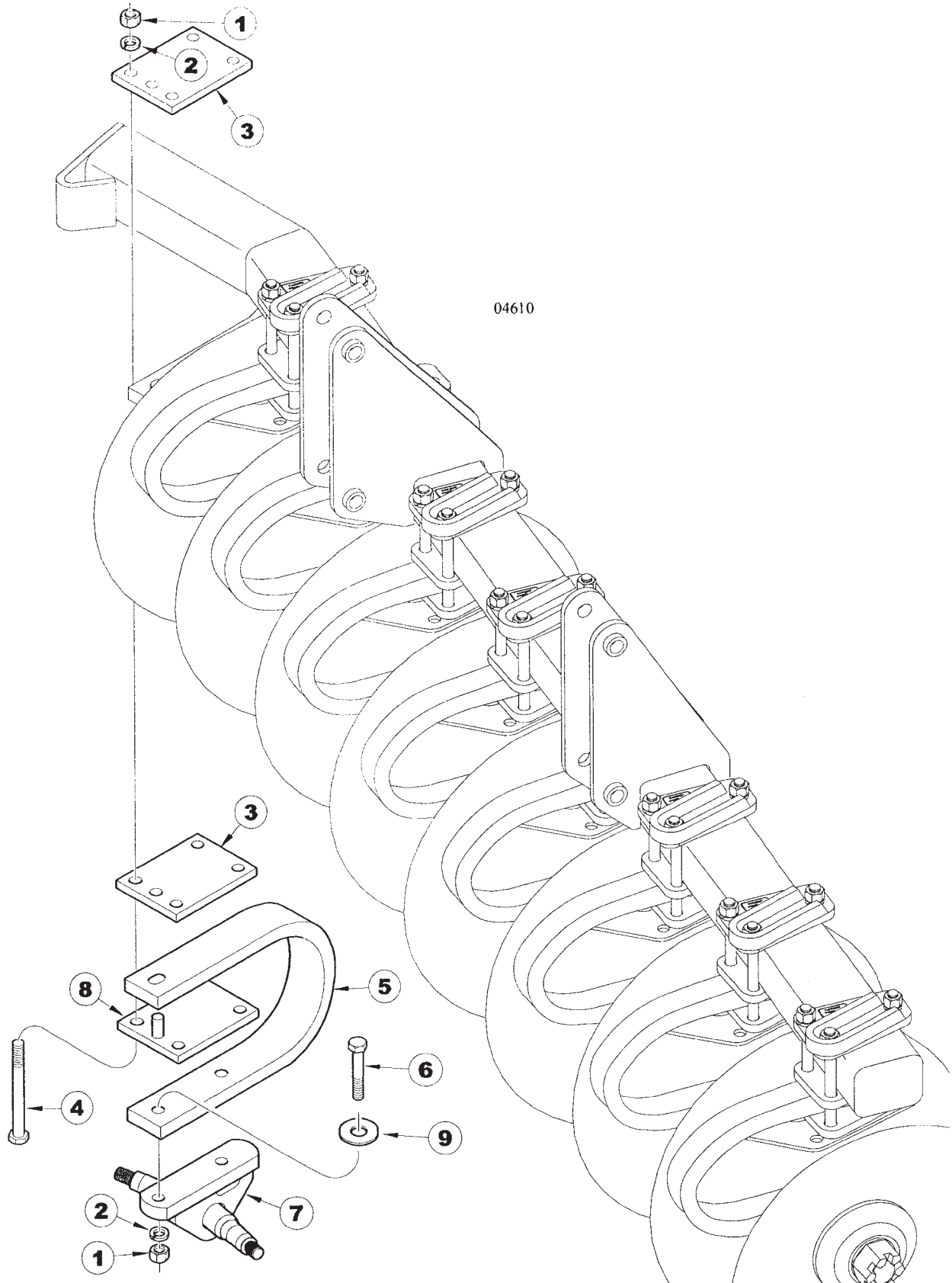
**INDIVIDUAL FRONT BLADE ASSEMBLY
(VERSION 2)**

ITEM	NUMBER	QTY	DESCRIPTION
1	SN997654		PATENT DECAL, #6,158,523
2	SN9157		GANG BAR, 92", LT FRONT, 7 @ 24
	SN9158		GANG BAR, 102", RT FRONT, 7 @ 30 & 9 @ 24
	SN9159		GANG BAR, 118", LT FRONT, 7 @ 30 & 9 @ 24
	SN9154		GANG BAR, 63", RT FRONT, 5 @ 30
	SN9155		GANG BAR, 79", LT FRONT, 5 @ 30
	SN9156		GANG BAR, 76", RT FRONT, 7 @ 24
3	SN106		HEX NUT, 3/4"-10 FULL, GR 5, Y/D
4	SN1040		LOCK WASHER, 3/4" SPLIT TYPE MED, Y/D
5	SN9196		C-FLEX CLAMP PLATE, TOP RT
	SN9197		C-FLEX CLAMP PLATE, TOP LT (SHOWN)
6	SN9033		C-FLEX CLAMP PLATE
7	SN105		HEX BOLT 3/4"-10 X 3 1/2", GR 5, Y/D
8	SN9423		C-FLEX MOUNT SHIELD, TOP RIGHT
	SN9424		C-FLEX MOUNT SHIELD, TOP LEFT (SHOWN)
9	SN9426		C-FLEX MOUNT SHIELD, BOTTOM LEFT (SHOWN)
	SN9425		C-FLEX MOUNT SHIELD, BOTTOM RIGHT
10	SNFK310044		TRIPLE LIP SEAL
11	SN1606		BEARING (LM67048)
12	SN1603		RACE (LM48510)
13	SN7602N		20.18" BLADE, 5 BOLT,.256" THICK, 1.55" CON
14	SN1605		RACE (LM67010)
15	SN1602		BEARING (LM48548)
16	SN2491		HEX NUT, 7/8"-14 FULL SLOTTED GR 2, PLAIN
17	SN7604		DUST CAP, 2.448" OD X.74" TH, Y/D
18	SN1611		LUG NUT, 1/2"-20, GR 5, 90 DEG TAPER, Y/D
19	SN7377		RETAINER, HUB CAP
20	SN1609		COTTER PIN, 3/16" X 1 1/2"
21	SNFK340051		FLAT WASHER, 2" OD X 15/16" ID SPECIAL
22	SN2098-6		GREASE ZERK, 1/4"-28, 17/32" L
23	SNFK340090		FIVE BOLT HUB W/CUPS
24	SN1611-1		SHOULDER BOLT, 1/2"-20 X 2" PRESS IN, 5/8" SHOULDER
25	SN9119		SPINDLE, INDIVIDUAL DISC
26	SN5978		SHANK, C-FLEX, 1" X 2 1/2", LEFT (SHOWN)
	SN5977		SHANK, C-FLEX, 1" X 2 1/2", RIGHT
27	SN918		HEX BOLT, 3/4"-10 X 8", GR 5, Y/D
28	SN7599N		22.33" BLADE, 5 BOLT,.256" THICK, 2" CON
29	SNFK310045		WEAR SLEEVE (C/R 081071)

I0004609
PR: t05g30h47b0022

4411 DISC RIPPER
SERVICE PARTS

INDIVIDUAL FRONT BLADE CENTER SHANK
ASSY. (LEFT FRONT GANG)



4411 DISC RIPPER
SERVICE PARTS

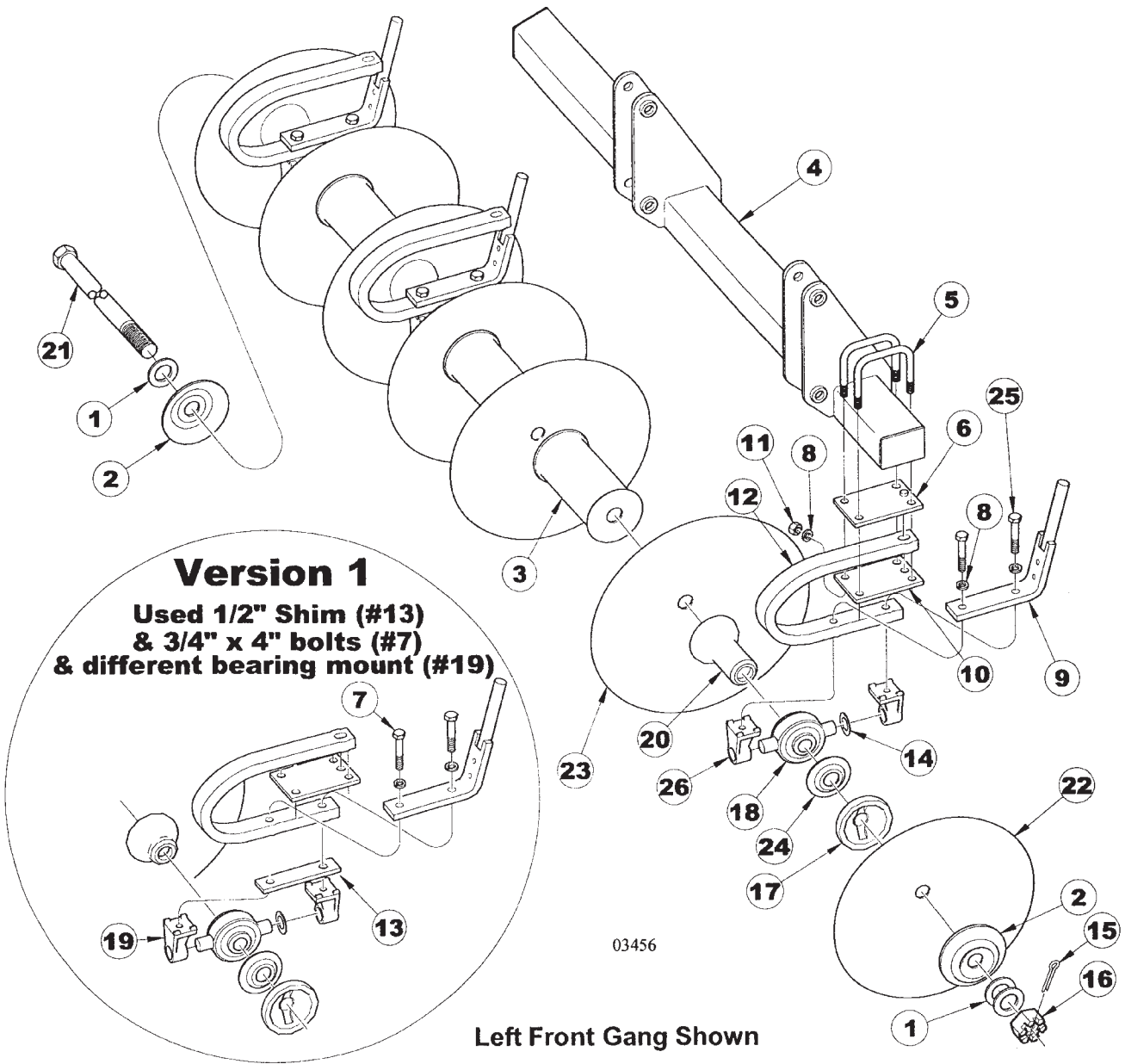
51

INDIVIDUAL FRONT BLADE CENTER SHANK
ASSY. (LEFT FRONT GANG)

ITEM	NUMBER	QTY	DESCRIPTION
1	SN106		HEX NUT, 3/4"-10 FULL, GR 5, Y/D
2	SN1040		LOCK WASHER, 3/4" SPLIT TYPE MED, Y/D
3	SN9037		C-FLEX MOUNTING PLATE
4	SN918		HEX BOLT, 3/4"-10 X 8", GR 5, Y/D
5	SN10400		SHANK, 1 1/4" X 3" C-FLEX (NEW CENTER SHANK IS THICKER THAN OLD 4971B, BUT IS A DIRECT REPLACEMENT)
6	SN6406		HEX BOLT, 3/4"-10 X 3 1/2", 1 1/4" (MUST BE USED WITH NEW PART # 10400 SHANK)
7	SN9118		SPINDLE, INDIVIDUAL DISC, CTR
8	SN9153		C-FLEX MOUNTING PLATE W/STUD
9	SN893		FLAT WASHER, 3/4" Y/D (MUST BE USED WITH NEW PART# 10400 SHANK)

I0004610
PR: t05g30h47b0023

SOLID FRONT GANG ASSEMBLY



**4411 DISC RIPPER
SERVICE PARTS**

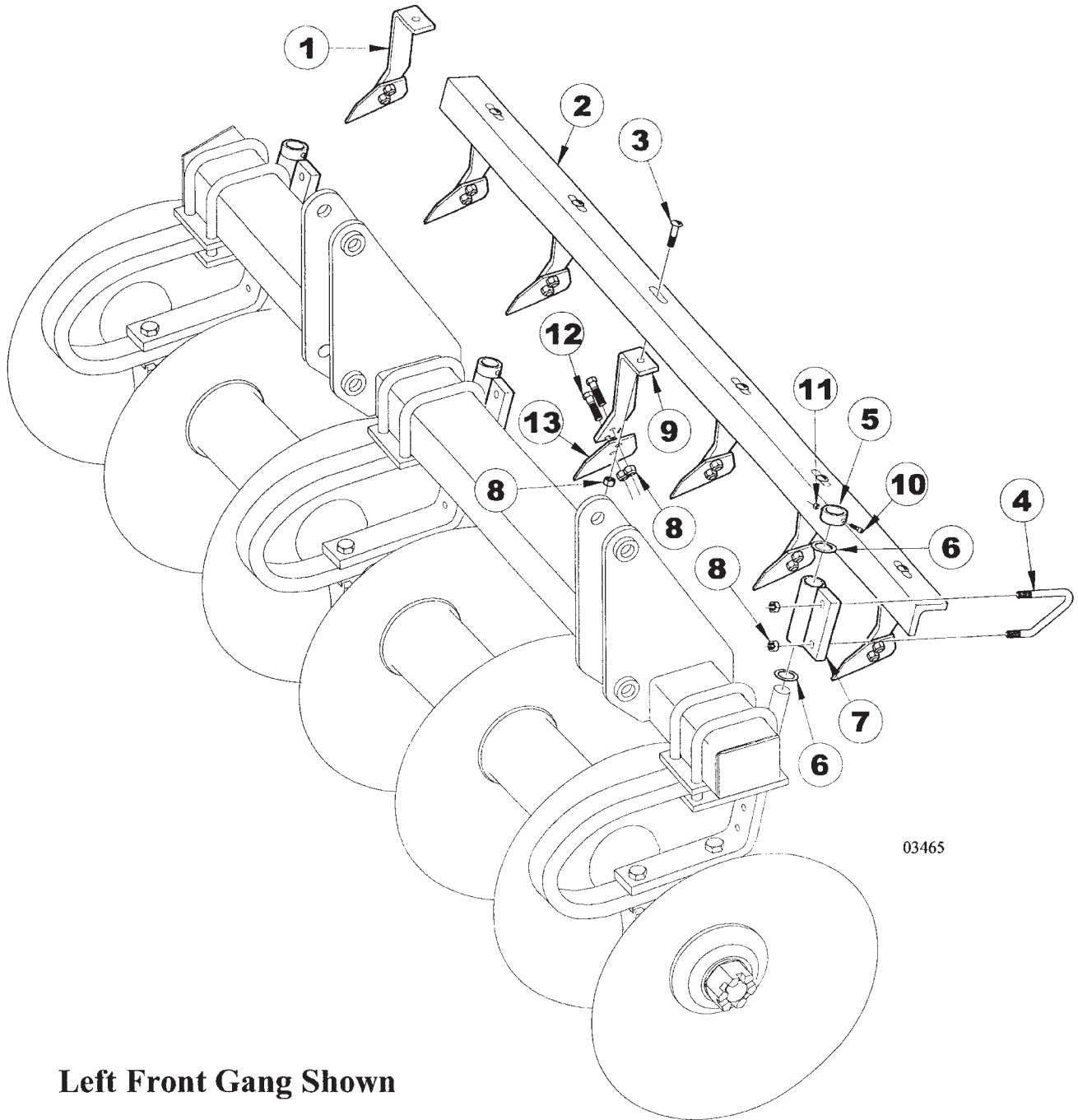
53

SOLID FRONT GANG ASSEMBLY

ITEM	NUMBER	QTY	DESCRIPTION
1	SN2037		FLAT WASHER, 1 13/16" ID X 2 13/16" OD X 1/4" THICK
2	SN2723B		SPRING END COLLAR, 1 3/4" BORE
3	SN5026		SPOOL, FULL, 1 3/4" BORE, 12 1/2" SP
4	SN9072		GANG BAR, 72" RT FRT, 5 @ 30
	SN9073		GANG BAR, 72" LT FRT, 5 @ 30
	SN9064		GANG BAR, 83" RT FRT, 7 @ 24
	SN9065		GANG BAR, 83" LT FRT, 7 @ 24
	SN9066		GANG BAR, 108" RT FRT, 7 @ 30 & 9 @ 24
	SN9067		GANG BAR, 108" LT FRT, 7 @ 30 & 9 @ 24
5	SN9008		U-BOLT, 3/4"-10 X 7 1/4" X 5 13/16" W, Y/D
6	SN6148		C-FLEX MOUNTING PLATE, TOP
7	SN7138		HEX BOLT, 3/4"-10 X 4" GR 8, Y/D
8	SN1040		LOCK WASHER, 3/4" SPLIT TYPE MED, Y/D
9	SN7141		SCRAPER BAR ANCHOR, RIGID
10	SN6147		C-FLEX MOUNTING PLATE
11	SN105		HEX BOLT, 3/4"-10 X 3 1/2", GR 5, Y/D
12	SN5975		SHANK, C-FLEX, 1 1/4" X 2 1/2" RIGHT (USED ON RIGHT FRONT & LEFT REAR GANG)
	SN5976		SHANK, C-FLEX, 1 1/4" X 2 1/2" LEFT (USED ON LEFT FRONT & RIGHT REAR GANG)
13	SN3937		SHIM, 1/2" THICK
14	SN3095		FLAT WASHER, 1 1/2" ID X 2 1/4" OD, 10 GA, Y/D
15	SN108		COTTER PIN, 5/16" X 2 1/2", Y/D
16	SN2036		HEX NUT, 1 3/4"-5 SLOTTED HEAVY GR 2, Y/D
17	SN2819B		SPOOL, BEARING, 1 3/4" BORE, 9 1/2" SP
18	SN3090		TRUNNION BEARING COMPLETE
19	SN3096		TRUNNION BEARING MOUNT
20	SN4954		SPOOL, LONG BEARING, 12 1/2" SP
21	SN5110		SHAFT, 69", 1 3/4" DIA (5 SHANK)
	SN1997		SHAFT, 81 1/2", 1 3/4" DIA (7 SHANK)
	SN3890		SHAFT, 106 1/2", 1 3/4" DIA (9 SHANK)
22	SN3271N		19.69" BLADE, 1 3/4" BORE 4 GA 1 7/8" CONCAVITY (7 & 9 SHANK)
23	SN2686N		22" BLADE, 1 3/4" BORE 4 GA, 2 1/2" CONCAVITY (7 & 9 SHANK)
24	SN7863		TRUNNION BEARING SHIELD
25	SN6307		HEX BOLT, 3/4" -10 X 3" GR 8, Y/D
26	SN9691		TRUNNION BEARING MOUNT

I0003456
PR: t05g30h47b0024

FRONT SCRAPER BAR ASSEMBLY



03465

Left Front Gang Shown

**4411 DISC RIPPER
SERVICE PARTS**

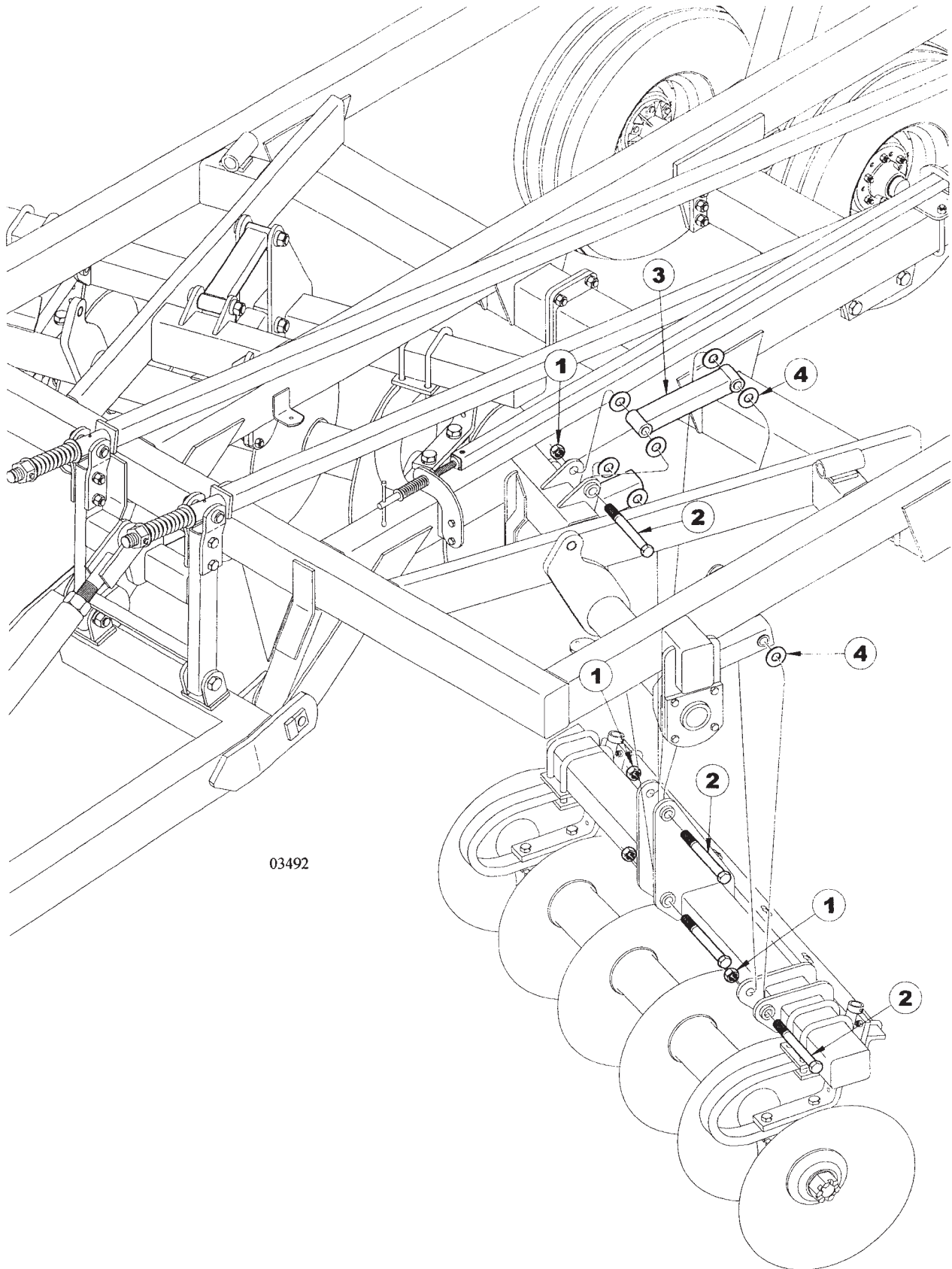
55

FRONT SCRAPER BAR ASSEMBLY

ITEM	NUMBER	QTY	DESCRIPTION
1	SN6733		SCRAPER BLADE W/ARM (10 3/8" L) RIGHT RIGID
	SN6734		SCRAPER BLADE W/ARM (10 3/8" L) LEFT RIGID
2	SN9024		SCRAPER BAR, RIGID, 5 HOLE - 12.5" SP
	SN9025		SCRAPER BAR, RIGID, 6 HOLE
	SN9026		SCRAPER BAR, RIGID, 8 HOLE
3	SN6101		CARRIAGE BOLT, 1/2"-13 X 1 3/4", GR5, Y/D
4	SN6773		U-BOLT, 1/2"-13 X 4 1/8" X 2 1/8" X 3 1/4" W, GR 5, Y/D
5	SN7139		LOCKING COLLAR W/O SET SCREW
6	SN2555		MACHINE BUSHING, 1 1/4" ID X 1 7/8" OD, 10 GA, Y/D
7	SN7140		SCRAPER BAR MOUNT
8	SN2096		LOCK NUT, 1/2"-13 HEX NYLON INSERT, GR 8, Y/D
9	SN6732		SCRAPER ARM, 10 3/8" L
10	SN3880		SHOULDER BOLT, 5/16" X 1 3/4", GR 8 EQUIV
11	SN3881		LOCK NUT, 1/4"-20 HEX NYLON INSERT, GR 2, Y/D
12	SN1823		HEX BOLT, 1/2"-13 X 1 1/4", GR 5, Y/D
13	SN6103		SCRAPER BLADE, 4" WIDE, RIGID

I0003465
PR: t05g30h47b0025

5 SHANK FRONT GANG MOUNTING



03492

**4411 DISC RIPPER
SERVICE PARTS**

57

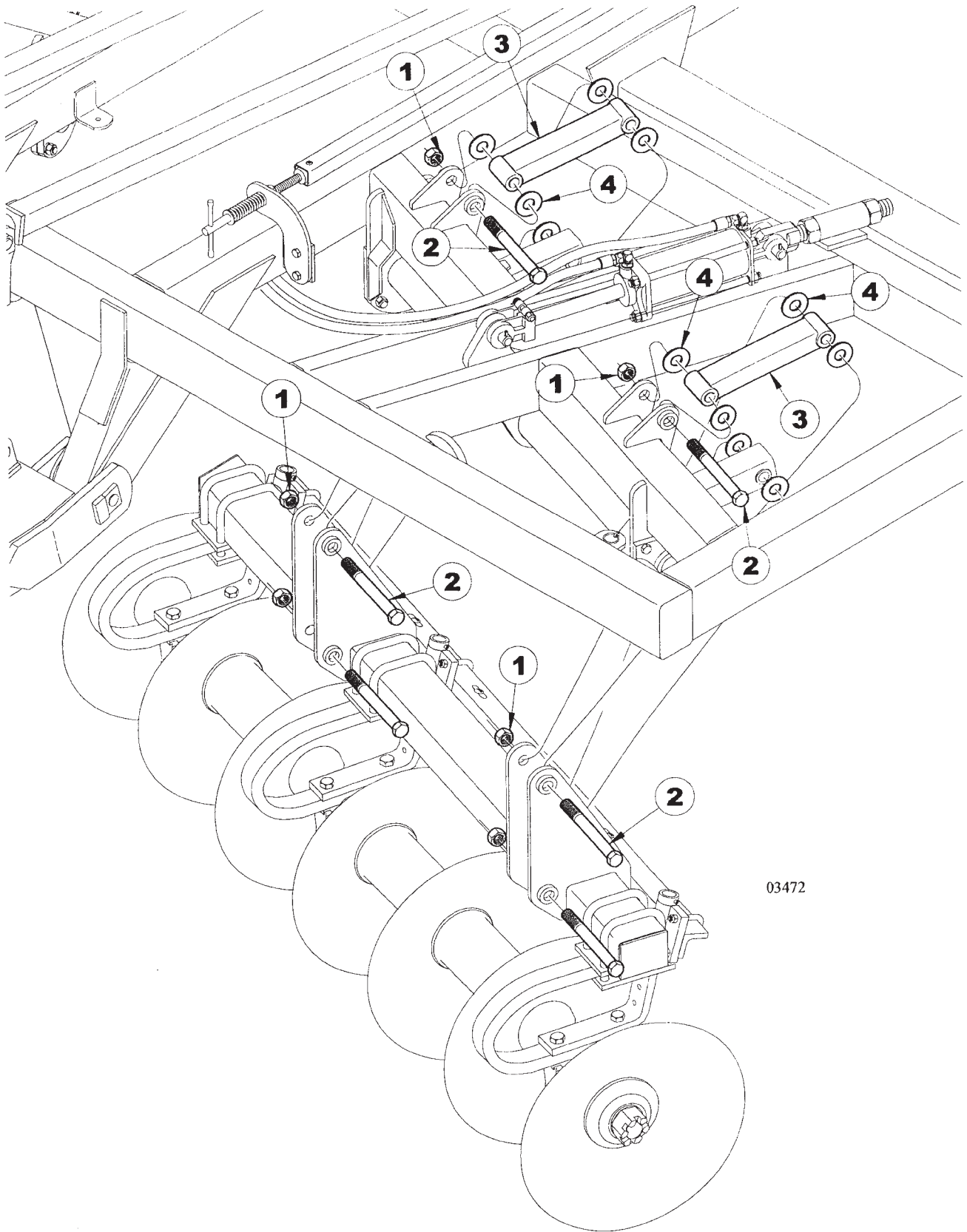
5 SHANK FRONT GANG MOUNTING

ITEM	NUMBER	QTY	DESCRIPTION
1	SN3938		LOCK NUT, 1"-8 HEX NYLON INSERT, GR 2, Y/D
2	SN109		HEX BOLT, 1"-8 X 7", GR 5, Y/D
3	SN9034		PARALLEL GANG LINK
4	SNFK150173		FLAT WASHER, 1" SAE, Y/D

I0003492
PR: t05g30h47b0026

4411 DISC RIPPER
SERVICE PARTS

7 & 9 SHANK FRONT GANG MOUNTING



03472

**4411 DISC RIPPER
SERVICE PARTS**

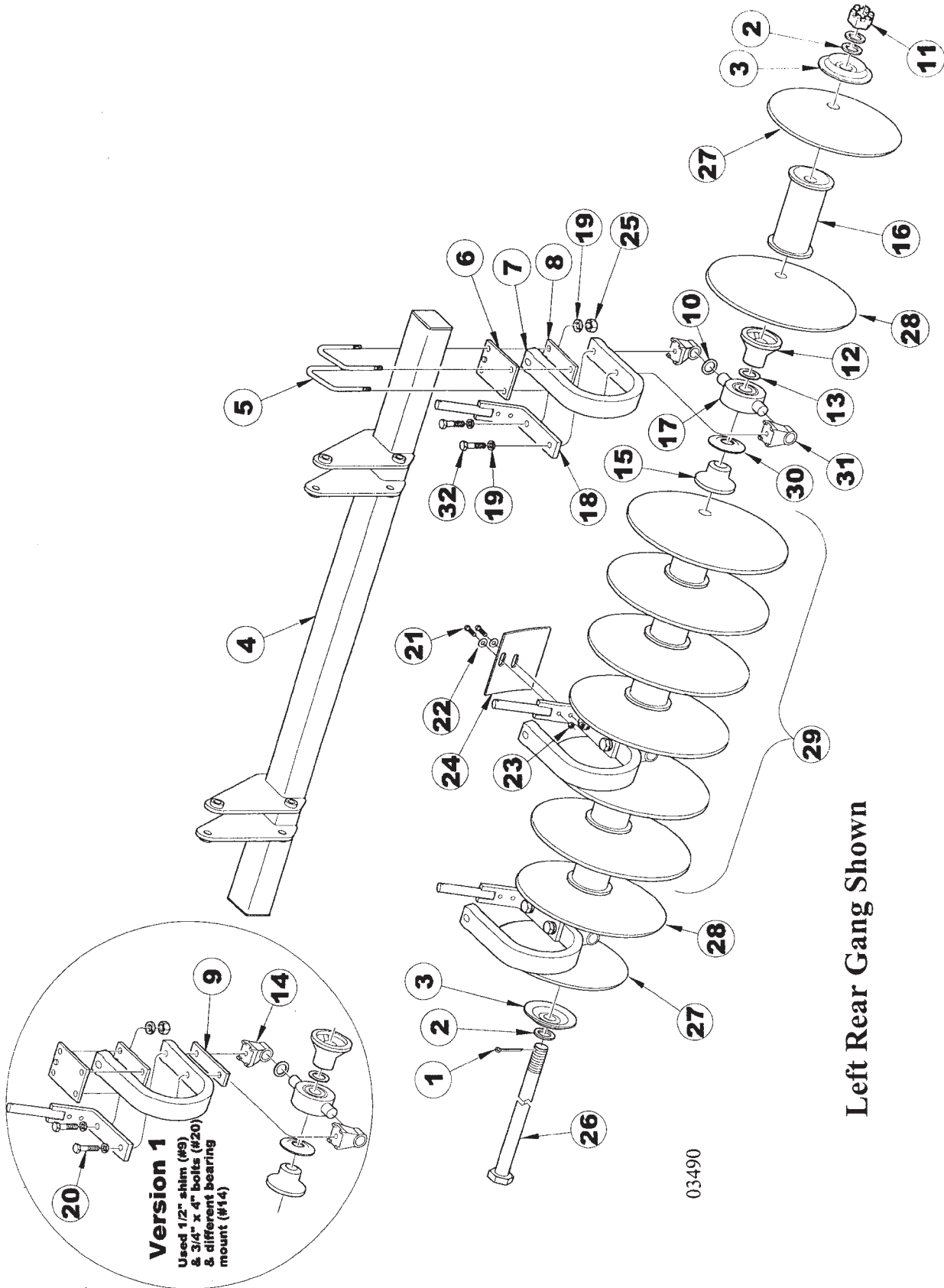
59

7 & 9 SHANK FRONT GANG MOUNTING

ITEM	NUMBER	QTY	DESCRIPTION
1	SN3938		LOCK NUT, 1"-8 HEX NYLON INSERT, GR 2, Y/D
2	SN109		HEX BOLT, 1"-8 X 7", GR 5, Y/D
3	SN9034		PARALLEL GANG LINK
4	SNFK150173		FLAT WASHER, 1" SAE, Y/D

I0003472
PR: t05g30h47b0027

REAR GANG ASSEMBLY



Left Rear Gang Shown

03490

**4411 DISC RIPPER
SERVICE PARTS**

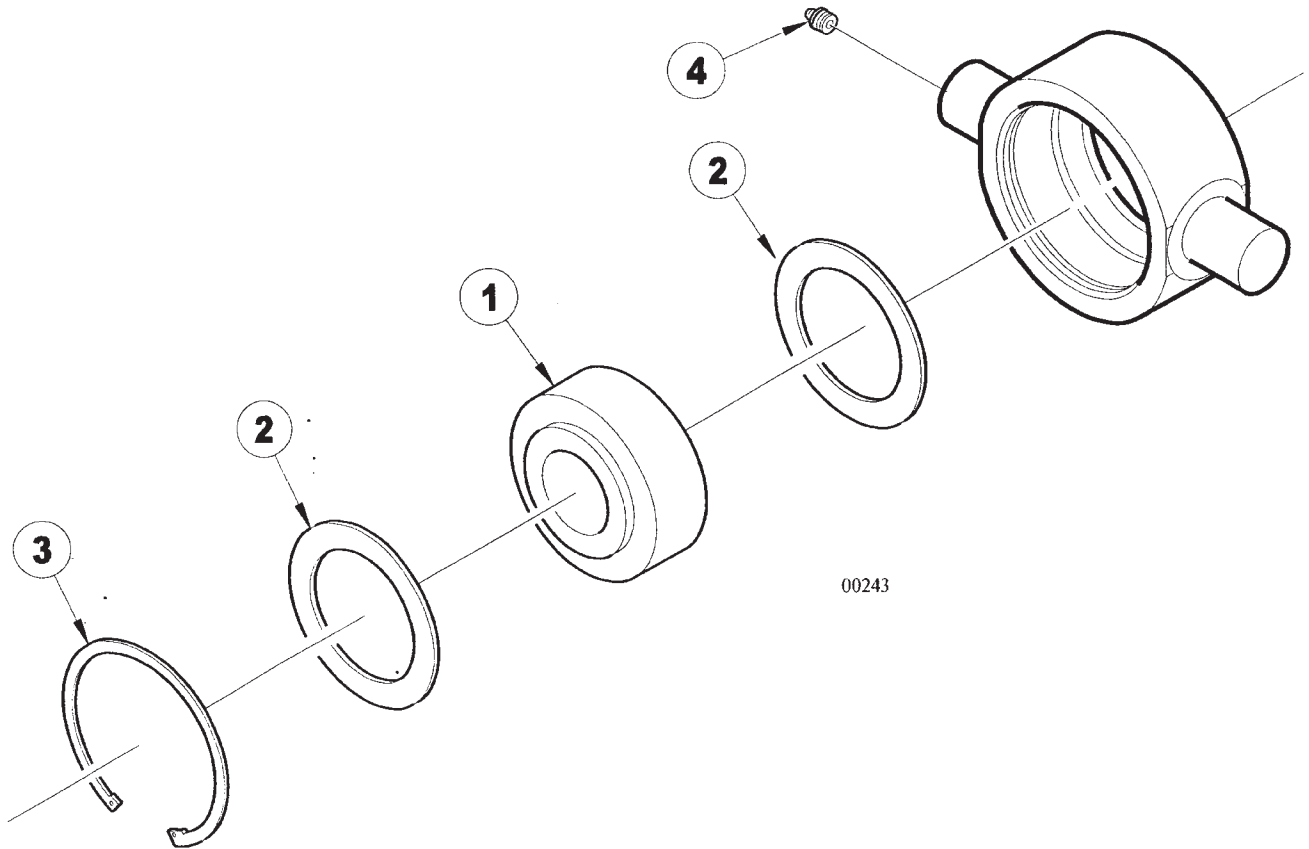
61

REAR GANG ASSEMBLY

ITEM	NUMBER	QTY	DESCRIPTION
1	SN108		COTTER PIN, 5/16" X 2 1/2", Y/D
2	SN2037		FLAT WASHER, 1 13/16" ID X 2 13/16" OD X 1/4" THICK
3	SN2723B		SPRING END COLLAR, 1 3/4" BORE
4	SN9074		GANG BAR, 89" RT RR, 5 @ 30
	SN9075		GANG BAR, 89" LT RR, 5 @ 30
	SN9068		GANG BAR, 99 1/2" RT RR, 7 @ 24
	SN9069		GANG BAR, 99 1/2" LT RR, 7 @ 24
	SN9070		GANG BAR, 120 1/2" RT RR, 7 @ 30 & 9 @ 24
	SN9071		GANG BAR, 120 1/2" LT RR, 7 @ 30 & 9 @ 24
5	SN9008		U-BOLT, 3/4"-10 X 7 1/4" X 5 13/16" W, Y/D
6	SN6148		C-FLEX MOUNTING PLATE, TOP
7	SN5975		SHANK, C-FLEX, 1 1/4" X 2 1/2" RIGHT (USED ON LEFT REAR & RIGHT FRONT GANG)
	SN5976		SHANK, C-FLEX, 1 1/4" X 2 1/2" LEFT (USED ON RIGHT REAR & LEFT FRONT GANG)
8	SN6147		C-FLEX MOUNTING PLATE
9	SN3937		SHIM, 1/2" THICK
10	SN3095		FLAT WASHER, 1 1/2" ID X 2 1/4" OD, 10 GA, Y/D
11	SN2036		HEX NUT, 1 3/4"-5 SLOTTED HEAVY GR 2, Y/D
12	SN7423		SPOOL, LONG BEARING, 10 1/2"
13	SN2756		FLAT WASHER, 1 13/16" ID X 2 13/16" OD, 10 GA, Y/D
14	SN3096		TRUNNION BEARING MOUNT
15	SN2819B		SPOOL, BEARING, 1 3/4" BORE, 9 1/2" SP
16	SN7346		SPOOL, FULL, 10 1/2"
17	SN3090		TRUNNION BEARING COMPLETE
18	SN7141		SCRAPER BAR ANCHOR, RIGID
19	SN1040		LOCK WASHER, 3/4" SPLIT TYPE MED, Y/D
20	SN7138		HEX BOLT, 3/4"-10 X 4" GR 8, Y/D
21	SN330		HEX BOLT, 1/2"-13 X 2" GR 5, Y/D
22	SN486		FLAT WASHER, 1/2", Y/D
23	SN2096		LOCK NUT, 1/2"-13 HEX NYLON INSERT, GR 8, Y/D
24	SN9035		DUAL SCRAPER, 10 1/2" SP, REG CON
25	SN106		HEX NUT, 3/4"-10 FULL, GR 5, Y/D
26	SN7458		SHAFT, 90 1/2", 1 3/4" DIA (5SHANK)
	SN2008		SHAFT, 101", 1 3/4" DIA 7 @ 24
	SN9030		SHAFT, 122", 1 3/4" DIA 7 @ 30 & 9 @ 24
27	SN3283N		BLADE, 18", 1 3/4" BORE, 4 GA, 1 3/4" CONCAVITY
28	SN3271N		19.69" BLADE, 1 3/4" BORE 4 GA 1 7/8" CONCAVITY
29	SN2686N		22" BLADE, 1 3/4" BORE 4 GA, 2 1/2" CONCAVITY
30	SN7863		TRUNNION BEARING SHIELD
31	SN9691		TRUNNION BEARING MOUNT
32	SN6307		HEX BOLT, 3/4" -10 X 3" GR 8, Y/D

I0003490
PR: t05g30h47b0028

TRUNNION BEARING ASSEMBLY



00243

4411 DISC RIPPER
SERVICE PARTS

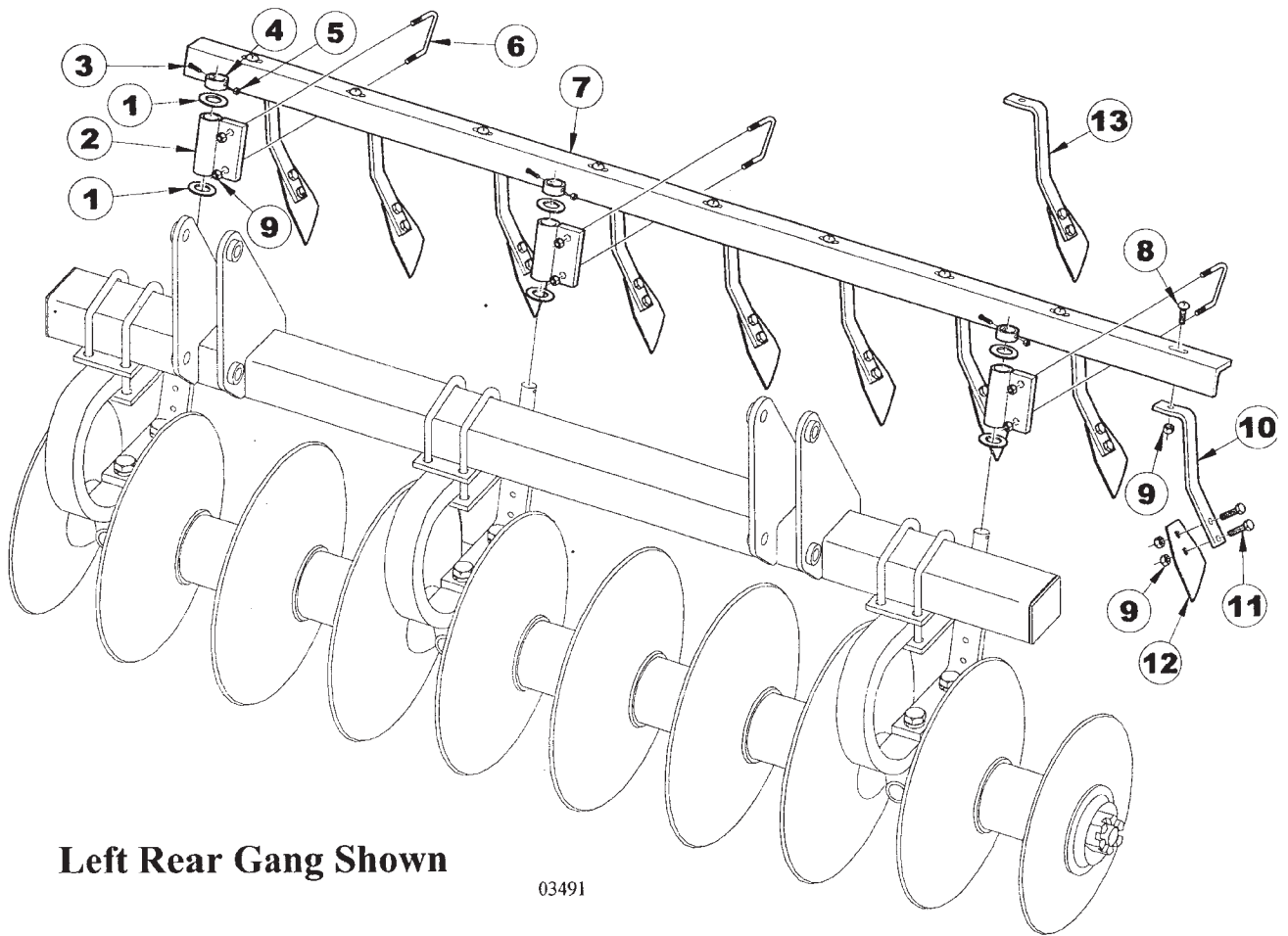
63

TRUNNION BEARING ASSEMBLY

ITEM	NUMBER	QTY	DESCRIPTION
1	SN3091		SUNFLOWER HOUSING, BCA BEARING
2	SN4924		TRUNNION BEARING REPLACEMENT TRUNNION BEARING SHIELD (BCA)2.8375" I.D. X 3.929" O.D. X.100" THICK
3	SN3094		TRUNNION BEARING RETAINER (FAFNIR) .109" THICK
4	SN2098-1		GREASE ZERK, 1/8" NPTF, 5/8" L TRUNNION BEARING SHIELD SPECIFICATIONS

I0000243
PR: t05g30h47b0029

REAR SCRAPER BAR ASSEMBLY



Left Rear Gang Shown

03491

**4411 DISC RIPPER
SERVICE PARTS**

65

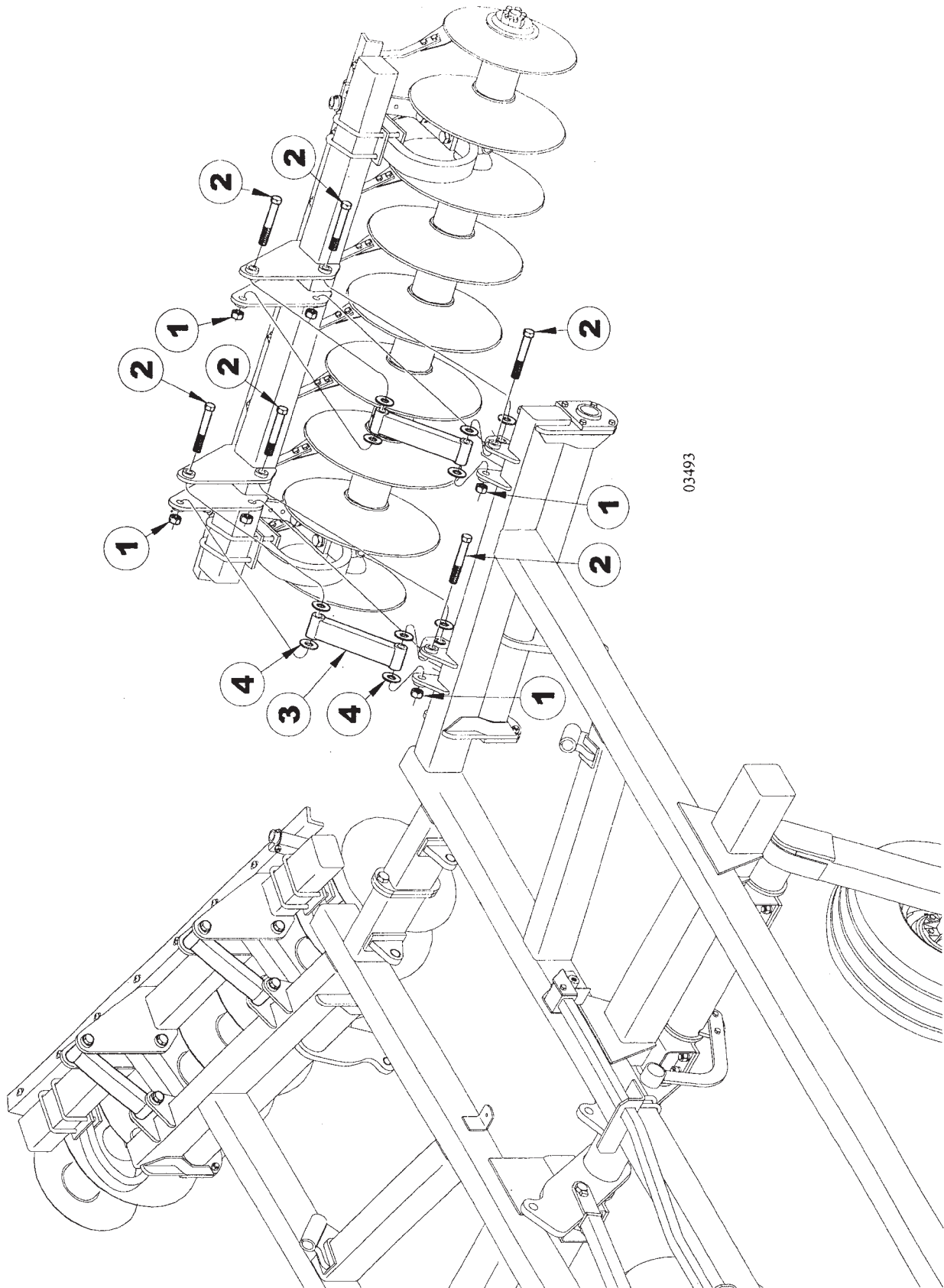
REAR SCRAPER BAR ASSEMBLY

ITEM	NUMBER	QTY	DESCRIPTION
1	SN2555		MACHINE BUSHING, 1 1/4" ID X 1 7/8" OD, 10 GA, Y/D
2	SN7140		SCRAPER BAR MOUNT EQUIV
3	SN3880		SHOULDER BOLT, 5/16" X 1 3/4", GR 8
4	SN7139		LOCKING COLLAR W/O SET SCREW
5	SN3881		LOCK NUT, 1/4"-20 HEX NYLON INSERT, GR 2, Y/D
6	SN6773		U-BOLT, 1/2"-13 X 4 1/8" X 2 1/8" X 3 1/4" W, GR
7	SN7439		SCRAPER BAR, RIGID, 9 HOLE, 10 1/2" SP (7 SHANK @ 24") (SHOWN)
	SN7440		SCRAPER BAR, RIGID 11 HOLE, 10 1/2" SP (7 SHANK @ 30", 9 SHANK @ 24")
	SN7438		SCRAPER BAR, RIGID, 8 HOLE - 10 1/2" SP (5 SHANK @ 30")
8	SN6101		CARRIAGE BOLT, 1/2"-13 X 1 3/4", GR 5, Y/D
9	SN2096		LOCK NUT, 1/2"-13 HEX NYLON INSERT, GR 8, Y/D
10	SN6732		SCRAPER ARM, 10 3/8" L
11	SN1823		HEX BOLT, 1/2"-13 X 1 1/4", GR 5, Y/D
12	SN6103		SCRAPER BLADE, 4" W RIGID
13	SN6733		SCRAPER BLADE W/ARM (10 3/8" L) RIGHT RIGID
	SN6734		SCRAPER BLADE W/ARM (10 3/8" L) LEFT RIGID

I0003491
PR: t05g30h47b0030

4411 DISC RIPPER
SERVICE PARTS

5 SHANK REAR GANG MOUNTING



03493

**4411 DISC RIPPER
SERVICE PARTS**

67

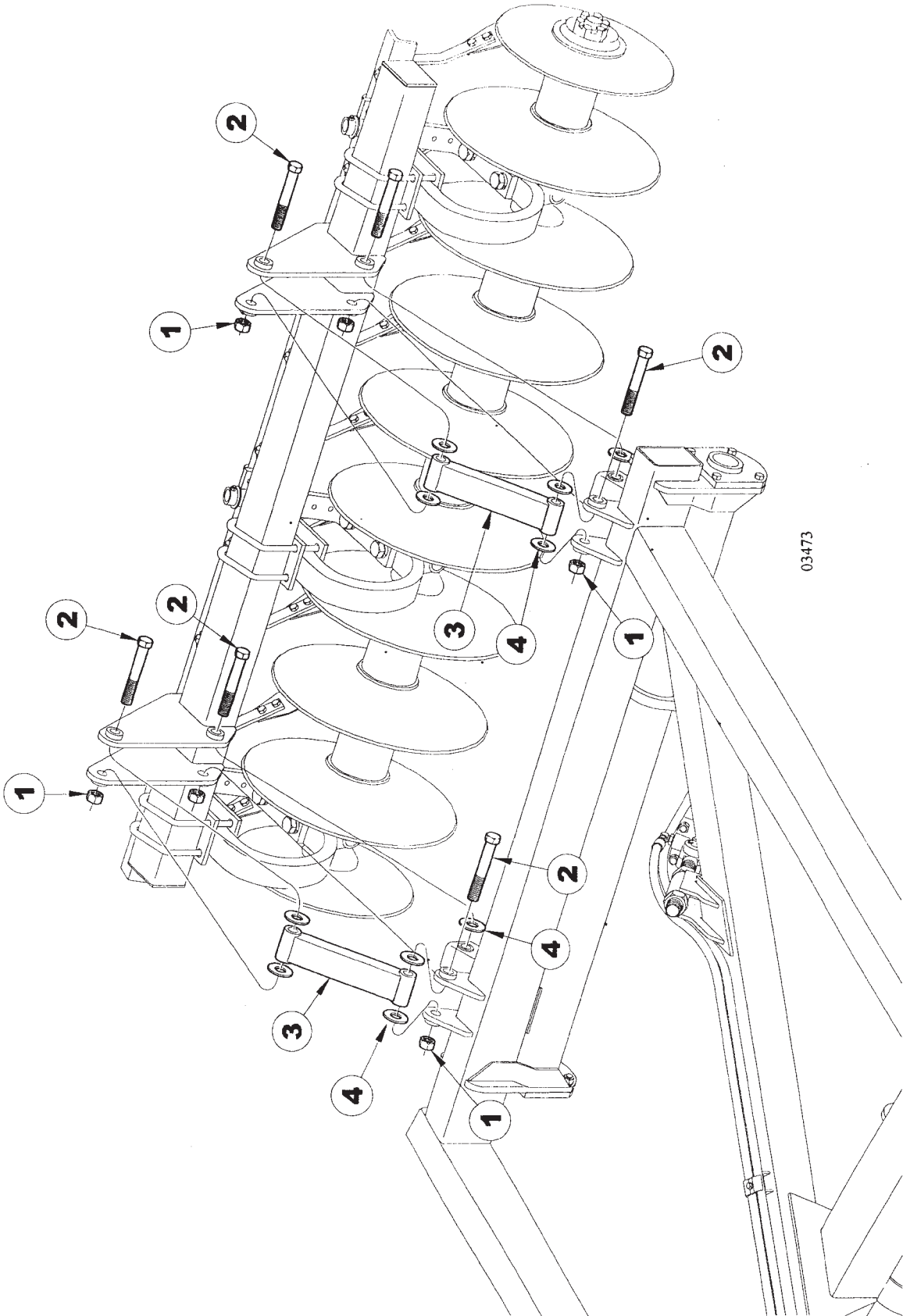
5 SHANK REAR GANG MOUNTING

ITEM	NUMBER	QTY	DESCRIPTION
1	SN3938		LOCK NUT, 1"-8 HEX NYLON INSERT, GR 2, Y/D
2	SN109		HEX BOLT, 1"-8 X 7", GR 5, Y/D
3	SN9034		PARALLEL GANG LINK
4	SNFK150173		FLAT WASHER, 1" SAE, Y/D

I0003493
PR: t05g30h47b0031

4411 DISC RIPPER
SERVICE PARTS

7 & 9 SHANK REAR GANG MOUNTING



03473

4411 DISC RIPPER
SERVICE PARTS

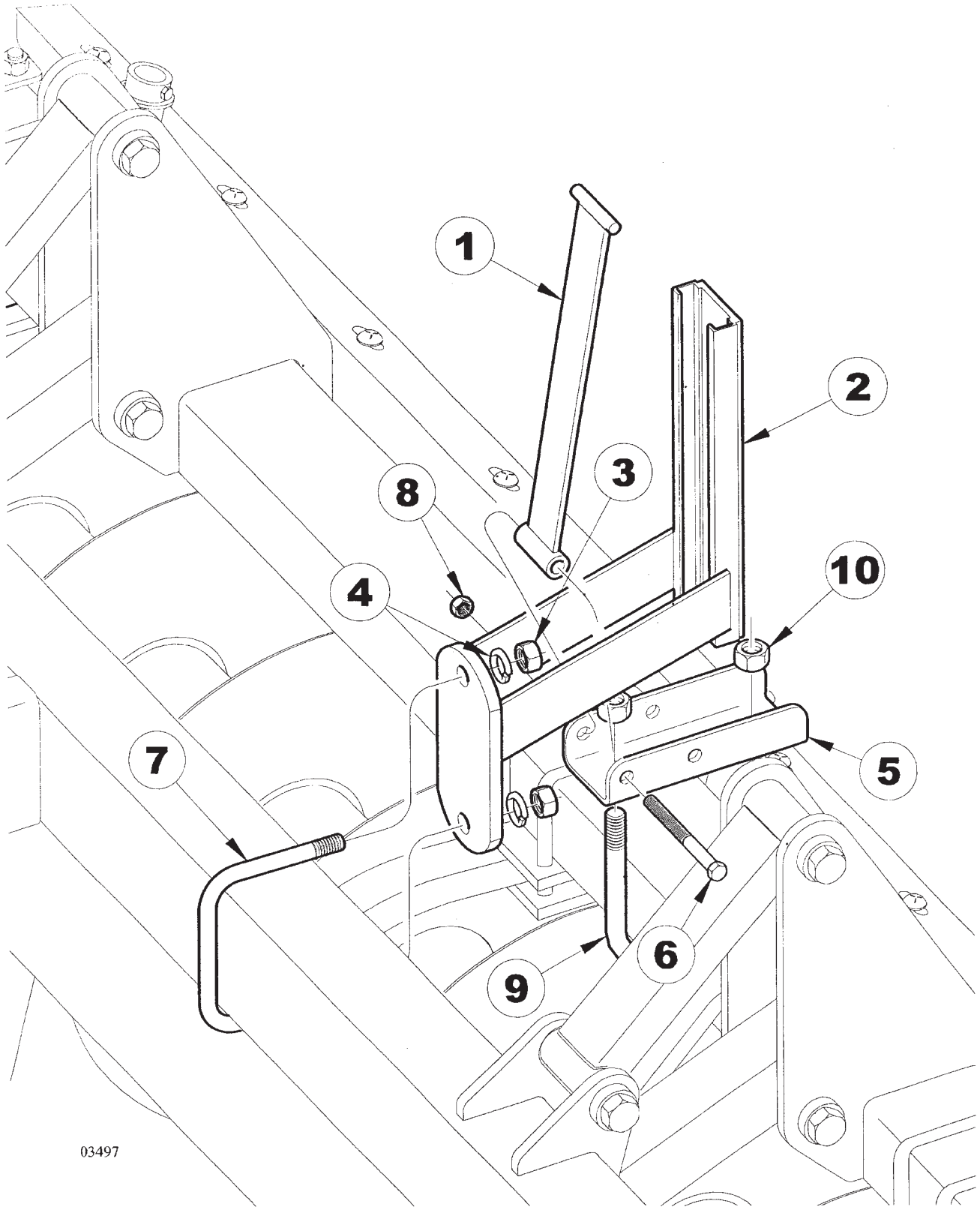
69

7 & 9 SHANK REAR GANG MOUNTING

ITEM	NUMBER	QTY	DESCRIPTION
1	SN3938		LOCK NUT, 1"-8 HEX NYLON INSERT, GR 2, Y/D
2	SN109		HEX BOLT, 1"-8 X 7", GR 5, Y/D
3	SN9034		PARALLEL GANG LINK
4	SNFK150173		FLAT WASHER, 1" SAE, Y/D

I0003473
PR: t05g30h47b0032

DEPTH CONTROL INDICATOR GAUGE



4411 DISC RIPPER
SERVICE PARTS

71

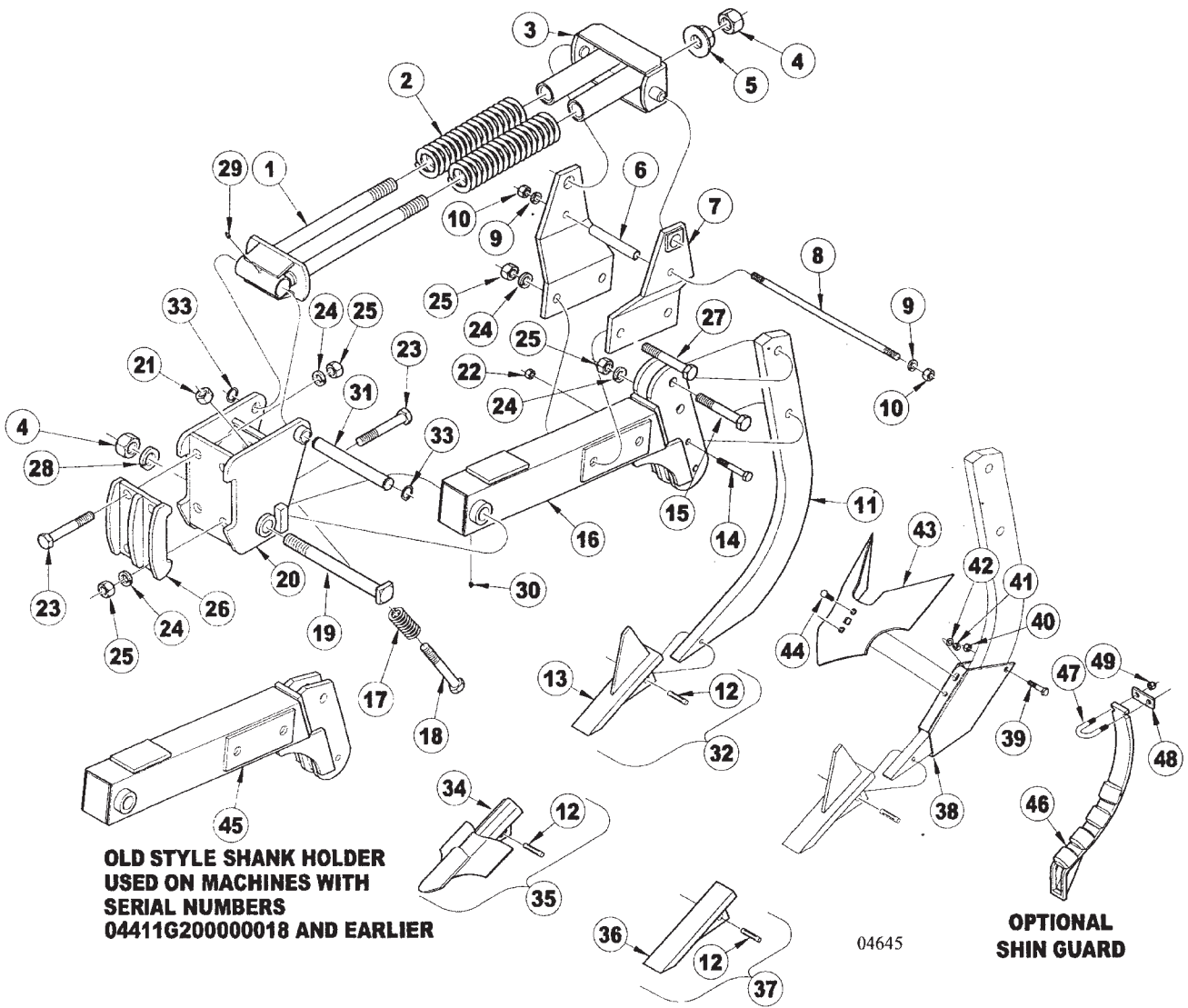
DEPTH CONTROL INDICATOR GAUGE

ITEM	NUMBER	QTY	DESCRIPTION
1	SN7373		CONNECTOR, DEPTH CONTROL INDICATOR
2	SN9043		DEPTH GAUGE
3	SN106		HEX NUT, 3/4"-10 FULL, GR 5, Y/D
4	SN1040		LOCK WASHER, 3/4" SPLIT TYPE MED, Y/D
5	SN9095		DEPTH INDICATOR BRACKET
6	SN140		HEX BOLT, 1/2"-13 X 4 1/2", GR 5, Y/D
7	SN3763		U-BOLT, 3/4"-10 X 5 3/4" X 6 3/4" W, GR 5, Y/D
8	SN2096		LOCK NUT, 1/2"-13 HEX NYLON INSERT, GR 8, Y/D
9	SN6102		U-BOLT, 5/8"-11 X 5 1/2" X 5 11/16" W, GR 5, Y/D
10	SN669-1		LOCK NUT, 5/8" HEX NYLON INSERT, GR 5, Y/D

I0003497
PR: t05g30h47b0033

4411 DISC RIPPER
SERVICE PARTS

AUTO RESET SHANK ASSEMBLY



**4411 DISC RIPPER
SERVICE PARTS**

73

AUTO RESET SHANK ASSEMBLY

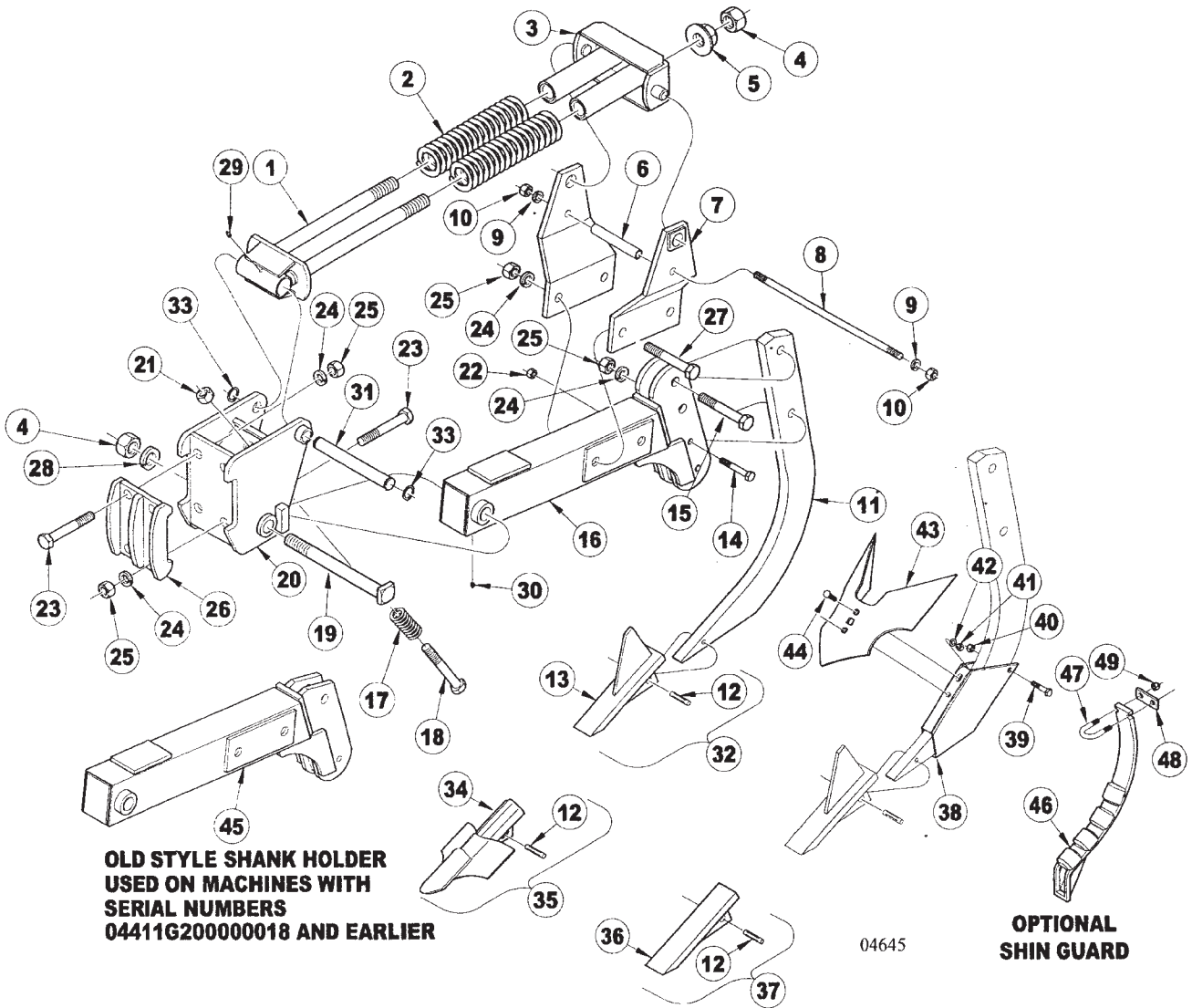
ITEM	NUMBER	QTY	DESCRIPTION
1	SN6839		SPRING ROD
2	SN5419		SPRING, 4.375" OD X 2.625" ID X 17.59" L COMPRESSION
3	SN6842		SPRING BARREL, DUAL
4	SN2079		JAM NUT, 1 1/2"-6 HEX, GR 2, Y/D
5	SN5425		HEX FLANGE NUT, 1 1/2"-6 UNC Y/D
6	SN6837R		BUSHING, 1.500" OD X .813" ID, 10 5/8" L
7	SN6836		SPRING PLATE
8	SN6838		BOLT, 3/4"-10 X 14" (11") SPCL Y/D
9	SN1040		LOCK WASHER, 3/4" SPLIT TYPE MED, Y/D
10	SN106		HEX NUT, 3/4"-10 FULL, GR 5, Y/D
11	SN5202		SHANK, 1 1/4" X 4" X 40"
	SN5015		SHANK, 1 1/4" X 4" X 36"
12	SN5089		PIN, 1/2" X 2 1/2" POINT
13	SN7379		POINT, 1" X 2 1/2" X 12" WITH DORSAL FIN
	SN7380		POINT, 1" X 2 1/2" X 12" WITH DORSAL FIN & CHROME CAP
	SN12764B		POINT, 1" X 2 1/2" X 12" WITH DORSAL FIN & CHROME CAP
14	SN1723		HEX BOLT, 5/8"-11 X 3 1/2", GR 5, Y/D
15	SN1753		HEX BOLT, 1"-8 X 4" GR5, Y/D
16	SN9740		SHANK HOLDER, R21 (MACHINES WITH SERIAL #'S 04411H20000019 & LATER)
17	SNFK361002		SPRING, 1.8125" OD X 1.062" ID, 2 5/8" L
18	SN1678		HEX BOLT, 1"-8 X 4 1/2", GR 5 Y/D
19	SN6841		BOLT, 1 1/2"-6 X 10 1/2" (9 3/4") SQUARE HEAD
20	SN7318		SHANK MOUNT
21	SN3938		LOCK NUT, 1"-8 HEX NYLON INSERT, GR 2, Y/D
22	SN669-1		LOCK NUT, 5/8" HEX NYLON INSERT, GR 5, Y/D
23	SN2316		HEX BOLT, 1"-8 X 8 1/2", GR 5, Y/D
24	SN1283		LOCK WASHER, 1" SPLIT TYPE MED, Y/D
25	SN110		HEX NUT, 1"-8 FULL, GR 5, Y/D
26	SN7319		CLAMP PLATE
27	SN1697		HEX BOLT, 1"-8 X 7 1/2", GR 5, Y/D

CONTINUED

I0004645
PR: t05g30h47b0034

4411 DISC RIPPER
SERVICE PARTS

AUTO RESET SHANK ASSEMBLY



**4411 DISC RIPPER
SERVICE PARTS**

75

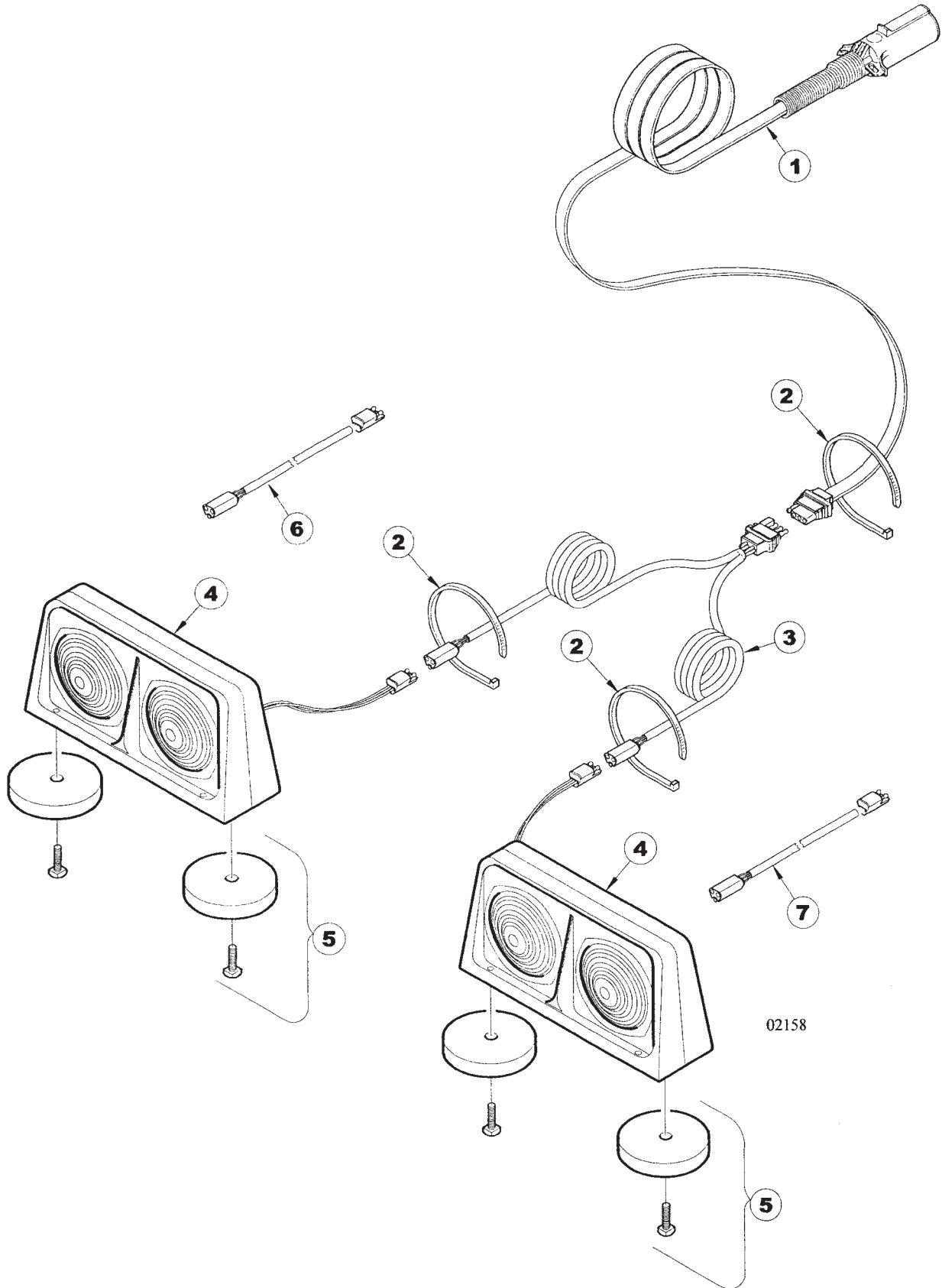
AUTO RESET SHANK ASSEMBLY

ITEM	NUMBER	QTY	DESCRIPTION
28	SN2085		LOCK WASHER, 1 1/2" SPLIT TYPE MED, Y/D
29	SN2098-1		GREASE ZERK, 1/8" NPTF, 5/8" L
30	SN2098-5		GREASE ZERK, 1/8" NPTF, 1 1/4" L
31	SN5063		PIN, 1 1/4" X 9 3/4" (9 1/8"), Y/D
32	SN7381		POINT, 1" X 2 1/2" X 12" WITH DORSAL FIN W/PIN
	SN7382		POINT, 1" X 2 1/2" X 12" WITH DORSAL FIN & CHROME CAP W/PIN
	SN5289		POINT, 1" X 2 1/2" X 12" W/CHROME CAP W/PIN
	SN12763		POINT, 1" X 2 1/2" X 12" W/CHROME CAP W/PIN
	SN12765B		POINT, 1" X 2 1/2" X 12" WITH DORSAL FIN & CHROME CAP W/PIN
33	SN5080		SNAP RING, 1 1/4", Y/D
34	SN9257		POINT, RIPPER W/WING & CHROME CAP
	SN9434		POINT, RIPPER W/WING
	SN12765B		POINT, 1" X 2 1/2" X 12" WITH DORSAL FIN & CHROME CAP W/PIN
35	SN12626		POINT, RIPPER W/WING & CHROME CAP W/
36	SN5273		POINT, 1" X 2 1/2" X 12"
	SN5274		POINT, 1" X 2 1/2" X 12" W/CHROME CAP
	SN12762B		POINT, 1" X 2 1/2" X 12" W/CHROME CAP
37	SN5288		POINT, 1" X 2 1/2" X 12" W/PIN
	SN5289		POINT, 1" X 2 1/2" X 12" W/CHROME CAP W/PIN
	SN12763		POINT, 1" X 2 1/2" X 12" W/CHROME CAP W/PIN
38	SN9557		MOUNT, SNUB NOSE FURROWER
39	SN112		HEX BOLT, 1/2"-13 X 2 1/2", GR 5, Y/D
40	SN2096		LOCK NUT, 1/2"-13 HEX NYLON INSERT
41	SN302		LOCK WASHER, 7/16" SPLIT TYPE MED, Y/D
42	SN303		HEX NUT, 7/16"-14 FULL, GR 2, Y/D
43	SN9556		SNUB NOSE FURROWER, 1/4" X 8"
44	SN3050		PLOW BOLT, 7/16"-14 X 1 1/2", GR 5, Y/D
45	SN6840		SHANK HOLDER, R21(MACHINES WITH SERIAL #S 04411G20000018 & EARLIER)
46	SN6276		SHIN GUARD SHANK
47	SN6277		U-BOLT, 1/2" -13 X 5 1/2" X 1 13/16" W, GR 5, Y/D
48	SN6275		CLAMP PLATE
49	SN2096		LOCK NUT, 1/2" -13 HEX NYLON INSERT
	SN10744		SHANK ASSY, AUTO RESET R21 (36"-40") (INCLUDES ITEMS 1-31, AND 33, WITH THE EXCEPTION OF 12 & 13)
	SN7320		SHANK ASSY, AUTO RESET R21 (40") (INCLUDES ITEMS 1-31, 33 & 45, WITH THE EXCEPTION OF 12, 13 & 16)
	SN9705		SHANK ASSY, AUTO RESET R21 (36") (INCLUDES ITEMS 1-31, 33 & 45, WITH THE EXCEPTION OF 12, 13 & 16)

I0004645
PR: t05g30h47b0034

4411 DISC RIPPER
SERVICE PARTS

LIGHT KIT ASSEMBLY (VERSION 1)



02158

**4411 DISC RIPPER
SERVICE PARTS**

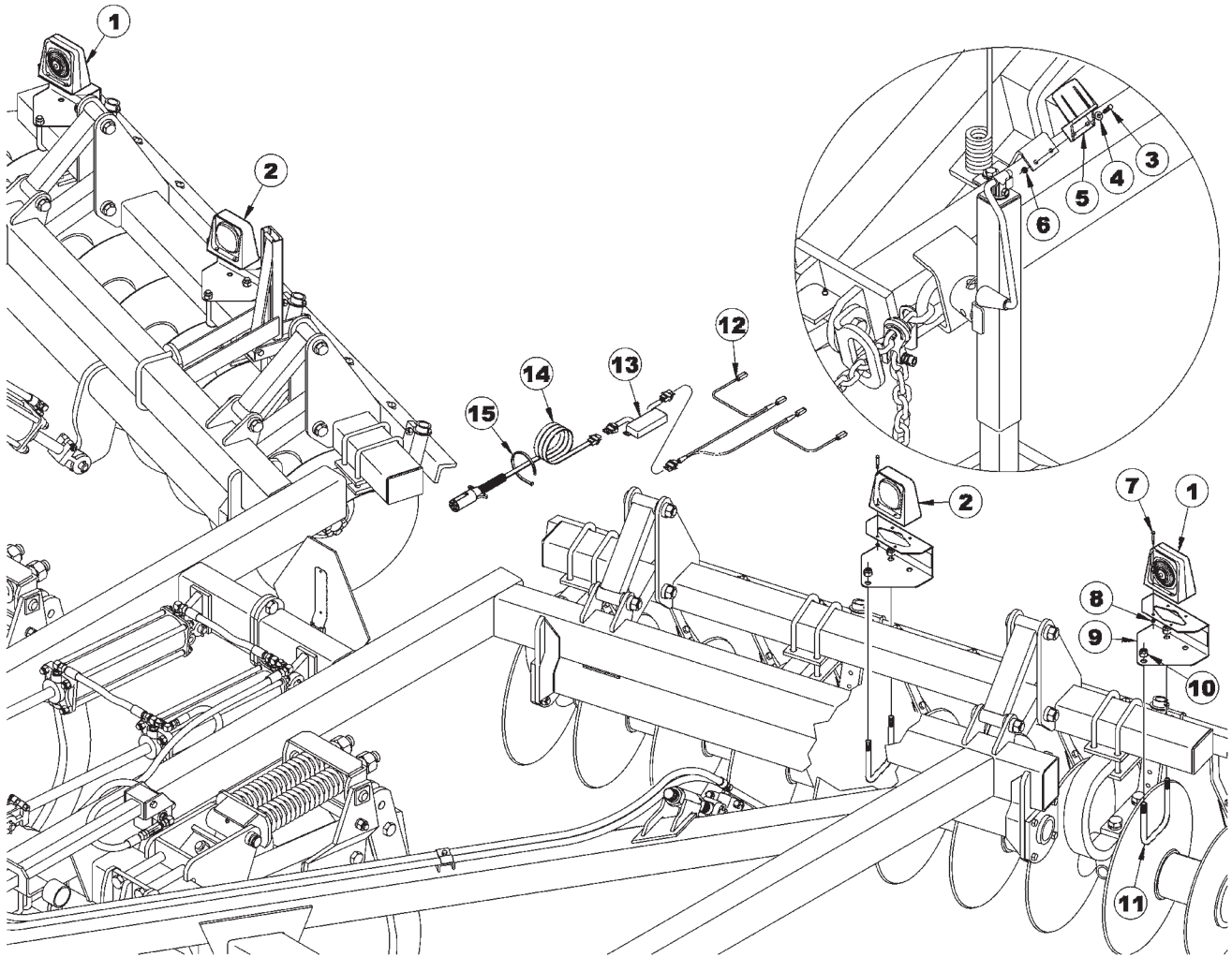
77

LIGHT KIT ASSEMBLY (VERSION 1)

ITEM	NUMBER	QTY	DESCRIPTION
1	SN5846		HARNESS, 25' STR SEC, SHIELDED FESTOON CABLE W/CONN
2	SN2587		PLASTIC HOSE STRAP, 21 1/2" L
3	SN5847		HARNESS, 15' WISHBONE W/FLAT & TRIANGULAR CONNECTOR
4	SN5845		DUAL LAMP, AMBER FT/REAR & RED REAR, LEFT
	SN5844		DUAL LAMP, AMBER FT/REAR & RED REAR, RIGHT
5	SN5857		MAGNET KIT
6	SN5849		HARNESS, 5' EXTENSION W/TRIANGULAR CONNECTORS, LEFT
7	SN5848		HARNESS, 5' EXTENSION W/TRIANGULAR CONNECTORS, RIGHT
	SN5838		LIGHT KIT W/HARDWARE (ITEMS 1-5)

I0002158
PR: t05g30h47b0035

LIGHT KIT ASSEMBLY (VERSION 2)



4411 DISC RIPPER
SERVICE PARTS

79

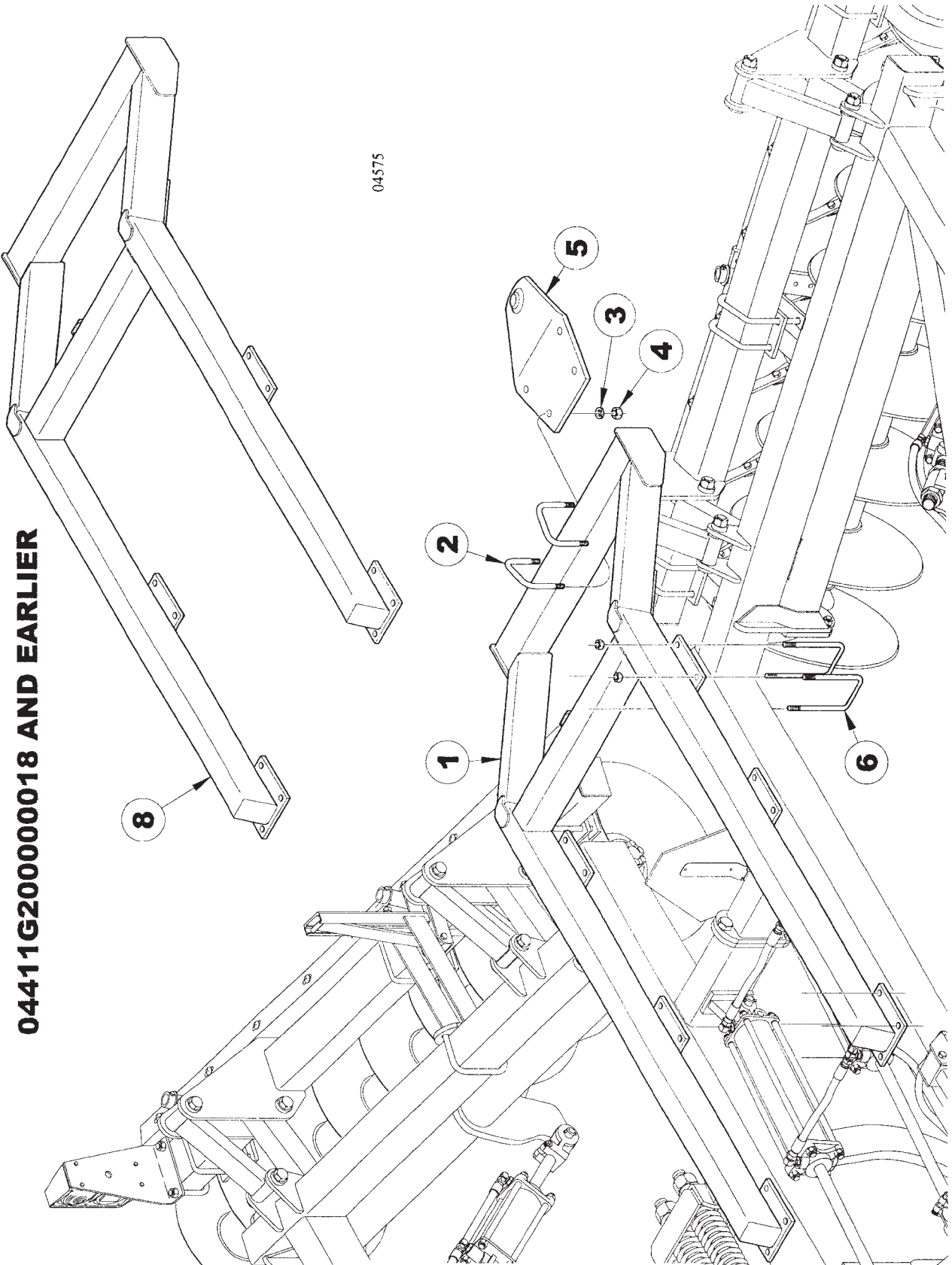
LIGHT KIT ASSEMBLY (VERSION 2)

ITEM	NUMBER	QTY	DESCRIPTION
1	SN10007		LAMP, SINGLE AMBER FRT/REAR
2	SN10486		SINGLE AG LAMP, RED/BLACK W/BRAKE
3	SN2568		HEX BOLT, 1/4"-20 X 3/4", GR 5 Y/D
4	SN506		FLAT WASHER, 1/4", Y/D
5	SN10012		HOLDER, 7-PIN CONNECTOR
6	SN3881		LOCK NUT, 1/4"-20 HEX NYLON INSERT, GR 2, Y/D
7	SN2750		HEX BOLT, 1/4"-20 X 1 1/4", GR 2, Y/D
8	SN3881		LOCK NUT, 1/4"-20 HEX NYLON INSERT, GR 2, Y/D
9	SN12760R		BRACKET, LIGHT
10	SN669-1		LOCK NUT, 5/8"-11 HEX NYLON INSERT, GR 5, Y/D
11	SN6102		U-BOLT, 5/8"-11 X 5 1/2" X 5 11/16" W, GR 5, Y/D
12	SN10461		HARNESS, AG 8' 6" WISHBONE
13	SN10460		ASSY, AG MODULE
14	SN10394		HARNESS, AG 30' EXTENSION
15	SN2587		PLASTIC HOSE STRAP, 21 1/2" L
	SN10445		LIGHT KIT W/HARDWARE (ITEMS 1, 2, 5, 12-15)

I0007596
PR: t05g30h47b0036

REAR TOW HITCH W/BALL JOINT

**HITCH #8 USED ON SERIAL NUMBERS
04411G20000018 AND EARLIER**



04575

**4411 DISC RIPPER
SERVICE PARTS**

81

REAR TOW HITCH W/BALL JOINT

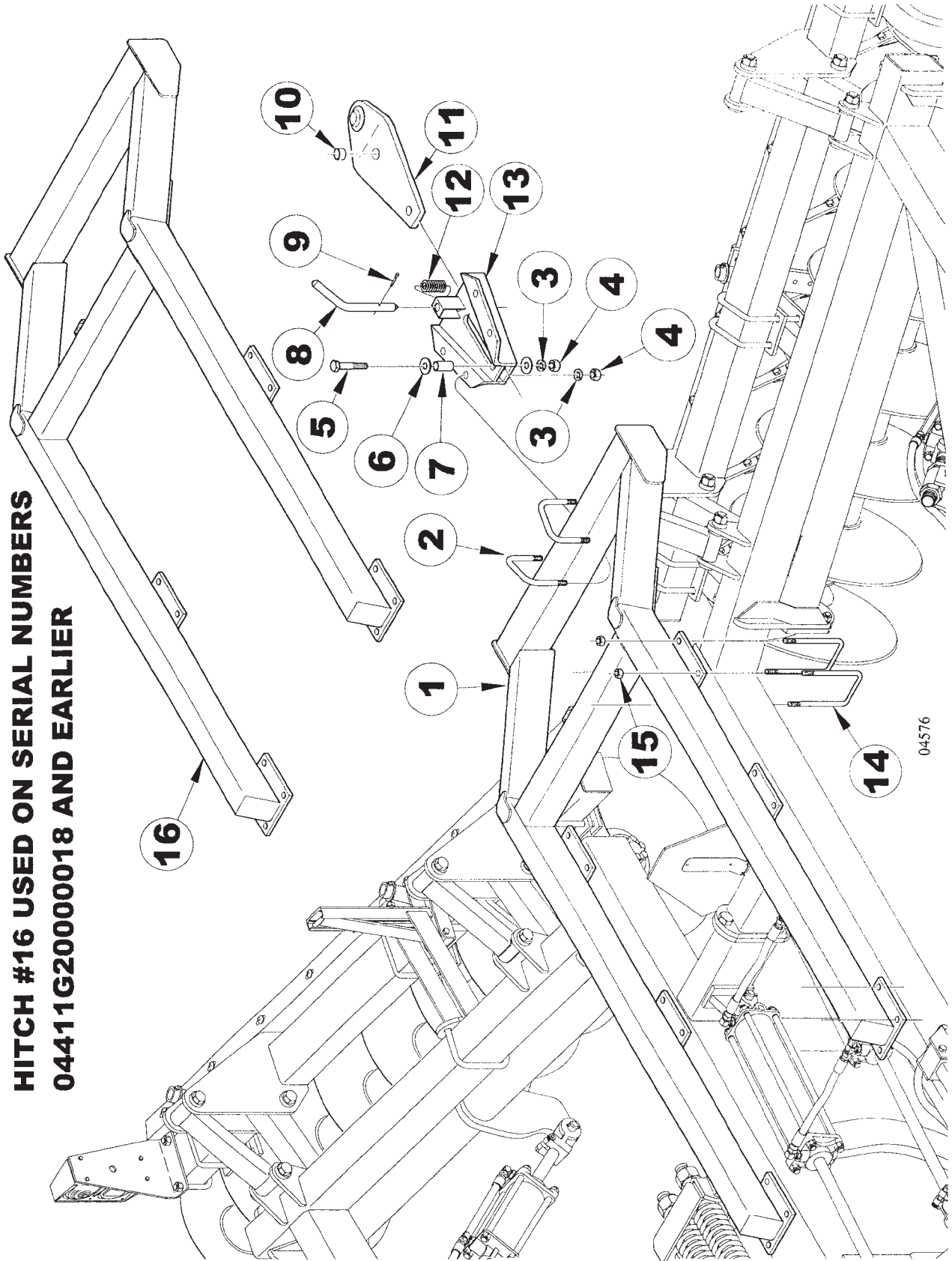
ITEM	NUMBER	QTY	DESCRIPTION
1	SN9749		REAR TOW HITCH, 4411 (MACHINES WITH SN# 04411H20000019 & HIGHER)
2	SN198		U-BOLT, 3/4"-10 X 5 1/2" X 5" W, GR 5, Y/D
3	SN1040		LOCK WASHER, 3/4" SPLIT TYPE MED, Y/D
4	SN106		HEX NUT, 3/4"-10 FULL, GR 5, Y/D
5	SN4700		ADAPTER, REAR TOW HITCH
6	SN2984		U-BOLT, 5/8"-11 X 7 1/2" X 4 3/4" W, GR 5, Y/D
7	SN669-1		LOCK NUT, 5/8" HEX NYLON INSERT, GR 5, Y/D
8	SN9390		REAR TOW HITCH, 4411 (MACHINES WITH SN# 04411G20000018 & LOWER)

I0004575
PR: t05g30h47b0037

4411 DISC RIPPER
SERVICE PARTS

REAR TOW HITCH W/HITCH SLIDE & BALL
JOINT

**HITCH #16 USED ON SERIAL NUMBERS
04411G2000018 AND EARLIER**



4411 DISC RIPPER
SERVICE PARTS

83

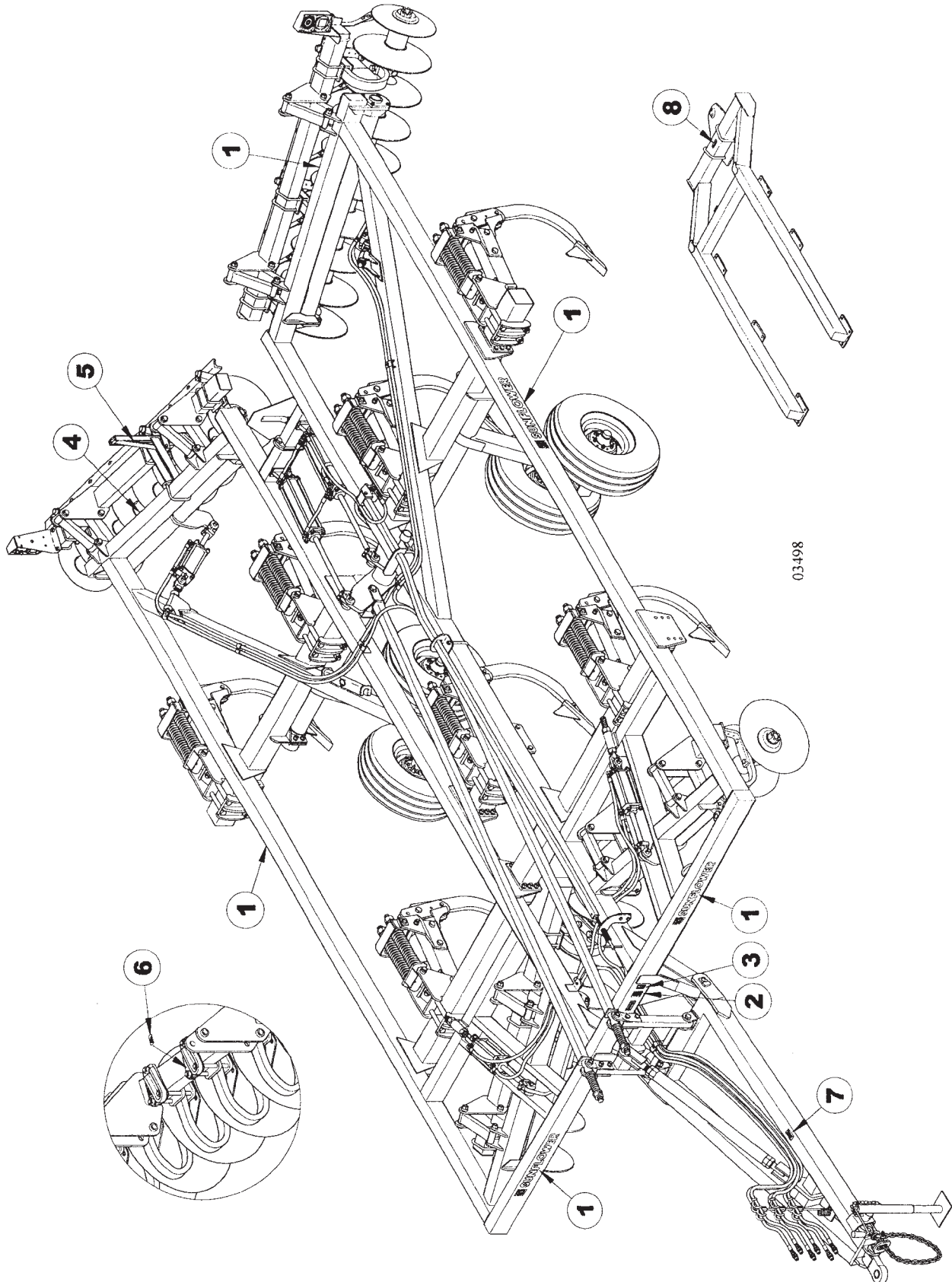
REAR TOW HITCH W/HITCH SLIDE & BALL
JOINT

ITEM	NUMBER	QTY	DESCRIPTION
1	SN9749		REAR TOW HITCH, 4411 (MACHINES WITH SN# 04411H20000019 & HIGHER)
2	SN198		U-BOLT, 3/4"-10 X 5 1/2" X 5" W, GR 5, Y/D
3	SN1040		LOCK WASHER, 3/4" SPLIT TYPE MED, Y/D
4	SN106		HEX NUT, 3/4"-10 FULL, GR 5, Y/D
5	SN105		HEX BOLT, 3/4"-10 X 3 1/2", GR 5, Y/D
6	SN893		FLAT WASHER, 3/4" Y/D
7	SN3364		BUSHING, 13/16"ID X 2" L
8	SN3365		PIN, 7/8" SPCL
9	SN1609		COTTER PIN, 3/16" X 1 1/2"
10	SN3367		WEAR BUSHING, 1"ID X 1 1/4" OD 3/4" L
11	SN4740		HITCH MOUNT W/BALL JOINT
12	SN3366		HITCH SPRING
13	SN3363		HITCH SLIDE
14	SN2984		U-BOLT, 5/8"-11 X 7 1/2" X 4 3/4" W, GR 5, Y/D
15	SN669-1		LOCK NUT, 5/8" HEX NYLON INSERT, GR 5, Y/D
16	SN9390		REAR TOW HITCH, 4411 (MACHINES WITH SN# 04411G20000018 & EARLIER)

I0004576
PR: t05g30h47b0038

4411 DISC RIPPER
SERVICE PARTS

DECAL PLACEMENT



**4411 DISC RIPPER
SERVICE PARTS**

85

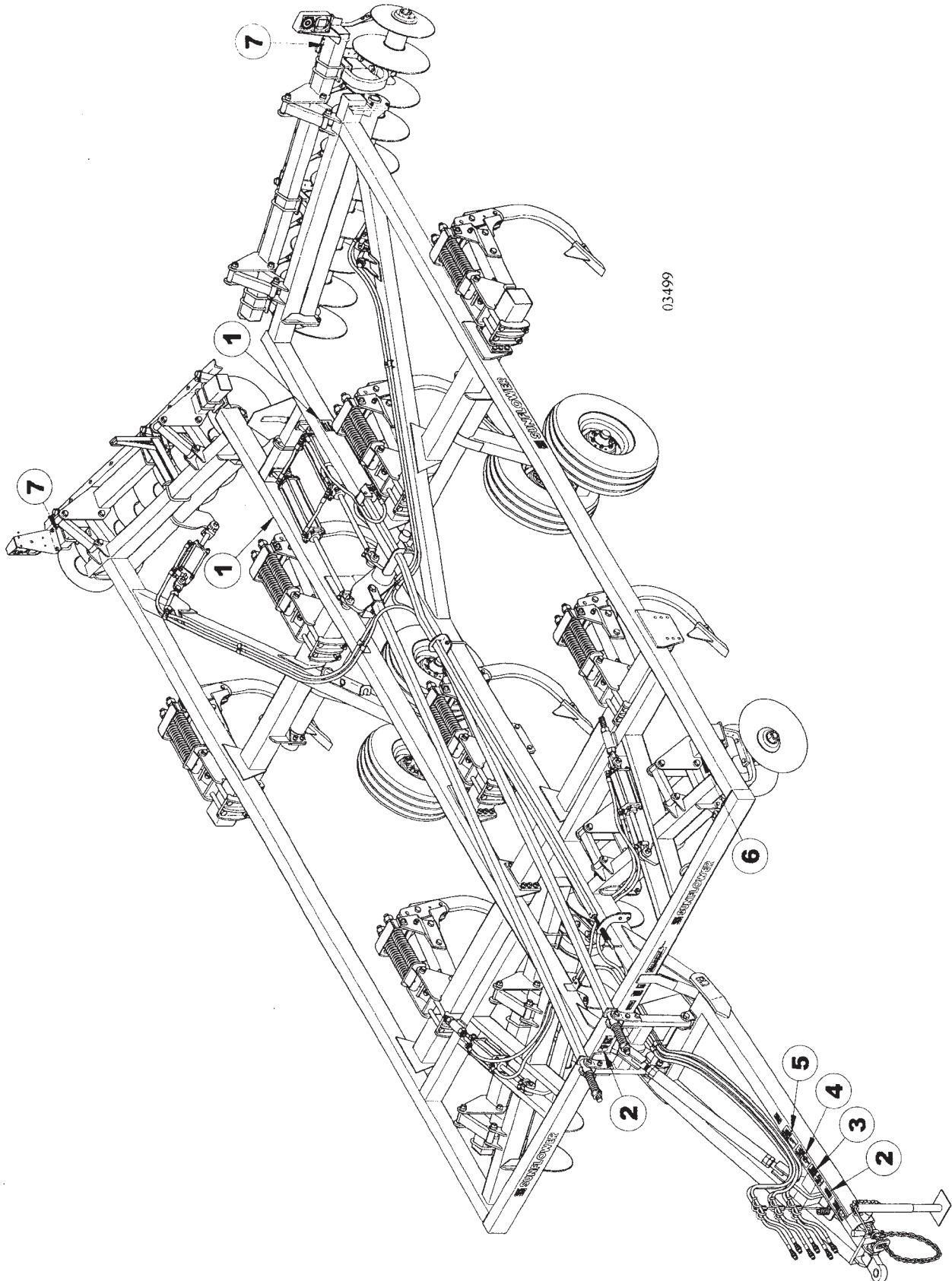
DECAL PLACEMENT

ITEM	NUMBER	QTY	DESCRIPTION
1	SN997002		SUNFLOWER DECAL
2	SN997263		DECAL, TILLAGE PROMOTES A SAFER ENVIRONMENT
3	SN997246		FEMA DECAL
4	SN997472		4411 DECAL
5	SN997426		LEVEL INDICATOR, A-K
6	SN997654		PATENT DECAL, #6,158,523
7	SN997479		IMPORTANT, HEAT TREATED SHANK
8	SN997068		10,000 LB. GROSS LIMIT - DECAL

I0003498
PR: t05g30h47b0039

4411 DISC RIPPER
SERVICE PARTS

SAFETY SIGN PLACEMENT



**4411 DISC RIPPER
SERVICE PARTS**

87

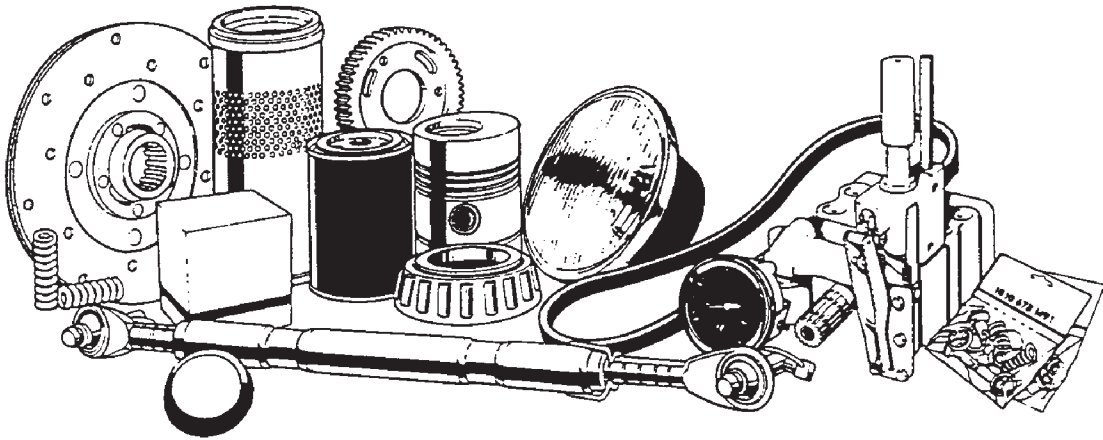
SAFETY SIGN PLACEMENT

ITEM	NUMBER	QTY	DESCRIPTION
1	SN997312		TRANSPORT LOCK INSTALLATION
2	SN997792		READ OPERATORS MANUAL
3	SN997311		HIGH PRESSURE FLUID HAZARD
4	SN997048		FASTEN SAFETY CHAIN
5	SN997074		UNHITCHING HAZARD
6	SN997663		TAPE, YELLOW REFLECTIVE 2" X 9" L
7	SN997661		TAPE, RED REFLECTIVE 2" X 9" L
8	SN997662		TAPE, ORANGE REFLECTIVE 2" X 9" L
9	SN997799		DECAL-WARNING, LOSS OF CONTROL 25 MPH

I0003499
PR: t05g30h47b0040

RECOMMENDED DEALER STOCK

RECOMMENDED DEALER'S STOCK



**4411 DISC RIPPER
RECOMMENDED DEALER LIST**

89

RECOMMENDED DEALER STOCK

ITEM	NUMBER	QTY	DESCRIPTION
-	SN3686	1	8 BOLT HUB ASSEMBLY
-	SN10460	1	ASSY, AG MODULE
-	SN1602	2	BEARING (LM48548)
-	SN1606	2	BEARING (LM67048)
-	SN3283N	4	BLADE, 18", 1 3/4" BORE, 4 GA, 1 3/4"
-	SN7604	1	DUST CAP, 2.448" OD X.74" TH, Y/D
-	SN1610	1	DUST CAP, 2.448" OD, Y/D
-	SNFK340090	1	FIVE BOLT HUB W/CUPS
-	SN5847	1	HARNESS, 15' WISHBONE W/FLAT &
-	SN5846	1	HARNESS, 25' STR SEC, SHIELDED FESTOON
-	SN5848	1	HARNESS, 5' EXTENSION W/TRIANGULAR
-	SN5849	1	HARNESS, 5' EXTENSION W/TRIANGULAR
-	SN3302	1	HEX NUT, 1"-14 FULL SLOTTED GR 2,
-	SN3369	1	HITCH CLEVIS BUSHING
-	SN3366	1	HITCH SPRING
-	SN1935	2	INNER BEARING (LM501349)
-	SN3683	2	INNER BEARING(LM603049)
-	SN1936	2	INNER RACE (LM501310)
-	SN3684	2	INNER RACE (LM603011)
-	SNFK340167	8	LUG BOLT, 5/8"-18 X 2 1/4"
-	SN3118	6	LUG BOLT, 9/16"-18 X 1 7/8" PRESS IN,
-	SNFK340168	8	LUG NUT, 5/8"-18, GR 5, 90 DEG TAPER,
-	SN3117	6	LUG NUT, 9/16"-18, GR 5, 90 DEG TAPER,
-	SN9557	1	MOUNT, SNUB NOSE FURROWER
-	SN3365	1	PIN, 7/8" SPCL
-	SN5288	4	POINT, 1" X 2 1/2" X 12" W/PIN
-	SN7379	4	POINT, 1" X 2 1/2" X 12" WITH DORSAL
-	SN1603	2	RACE (LM48510)
-	SN1605	2	RACE (LM67010)
-	SN6103	2	SCRAPER BLADE, 4" W RIGID
-	SN8774-1	2	SEAL KIT, 3 1/2", 1 1/2" ROD, CROSS
-	SN8776-1	2	SEAL KIT, 3 3/4", 1 3/8" ROD,
-	SN8781-1	2	SEAL KIT, 4", 1 3/8" ROD REPHASING,
-	SN3300	1	SIX BOLT HUB ASSEMBLY W/3301 SEAL
-	SN7001	1	SMV EMBLEM
-	SN9556	4	SNUB NOSE FURROWER, 1/4" X 8"
-	SN3301	2	TRIPLE LIP SEAL
-	SNFK310044	2	TRIPLE LIP SEAL
-	SN3090	2	TRUNNION BEARING COMPLETE
-	SN7863	2	TRUNNION BEARING SHIELD
-	SN6277	2	U-BOLT, 1/2" -13 X 5 1/2" X 1 13/16"
-	SN6773	2	U-BOLT, 1/2"-13 X 4 1/8" X 2 1/8" X 3
-	SN198	2	U-BOLT, 3/4"-10 X 5 1/2" X 5" W, GR
-	SN3763	2	U-BOLT, 3/4"-10 X 5 3/4" X 6 3/4" W,
-	SN9008	2	U-BOLT, 3/4"-10 X 7 1/4" X 5 13/16" W,
-	SN6102	2	U-BOLT, 5/8"-11 X 5 1/2" X 5 11/16"
-	SN2984	2	U-BOLT, 5/8"-11 X 7 1/2" X 4 3/4" W,
-	SN3061	2	WALKING BEAM BEARING (342A)
-	SN3062	2	WALKING BEAM RACE (332)
-	SN3063	2	WALKING BEAM SEAL (NAT.204035 C/R
-	SN3303	1	WASHER, 1 1/32" ID X 1 3/4" ODX 1/8"
-	SNFK310045	1	WEAR SLEEVE (C/R 081071)

NOTE: THIS PARTS STOCK LIST
INDICATES THOSE ITEMS RECOMMENDED
TO SERVICE ONE UNIT.

RDL
PR: t05g30h47b0041

CHISEL PLOWS

PARTS CATALOG

SUNFLOWER®
4212 TRASH MULCHER

4212TRASH MULCHER

RECOMMENDED DEALER LIST

RECOMMENDED DEALER STOCK 53

SERVICE PARTS

AUTO RESET SHANK (VERSION 1, SERIAL # 04212L20040110 & EARLIER) 27
AUTO RESET SHANK (VERSION 2, SERIAL # 04212L20040111 & LATER) 29
COULTER GANG ASSEMBLY 21
DECAL & SAFETY SIGN PLACEMENT 51
DEEP TILL SHANK ASSEMBLY 33
HYDRAULICS ASSEMBLY 35
LIGHT KIT ASSEMBLY 49
REAR JACK ASSEMBLY 13
RIGID SHANK ASSEMBLY 31
SIX BOLT HUB & SPINDLE ASSEMBLY W/WHEEL & TIRES 19
TONGUE ASSEMBLY 11
TRASH BAR ASSEMBLY 25
TRUNNION BEARING ASSEMBLY 23
11, 13, & 15 SHANK FRAME 9
11, 13, & 15 SHANK LIFT ASSEMBLY 17
3 3/4" X 8" SLAVE CYLINDER 12059R (VERSION 2, 6/27/03 & LATER) 39
3 3/4" X 8" SLAVE CYLINDER 4438 (VERSION 1, PRIOR TO 6/27/03) 37
4" X 16" LIFT CYLINDER 12048R (VERSION 2, 9/16/03 & LATER) 47
4" X 16" LIFT CYLINDER 4441R (VERSION 1, PRIOR TO 9/16/03) 45
4" X 8" MASTER CYLINDER 12047R (VERSION 2, 8/12/03 & LATER) 43
4" X 8" MASTER CYLINDER 4437 (VERSION 1, PRIOR TO 8/12/03) 41
7 & 9 SHANK FRAME 7
7 & 9 SHANK LIFT ASSEMBLY 15

4212TRASH MULCHER

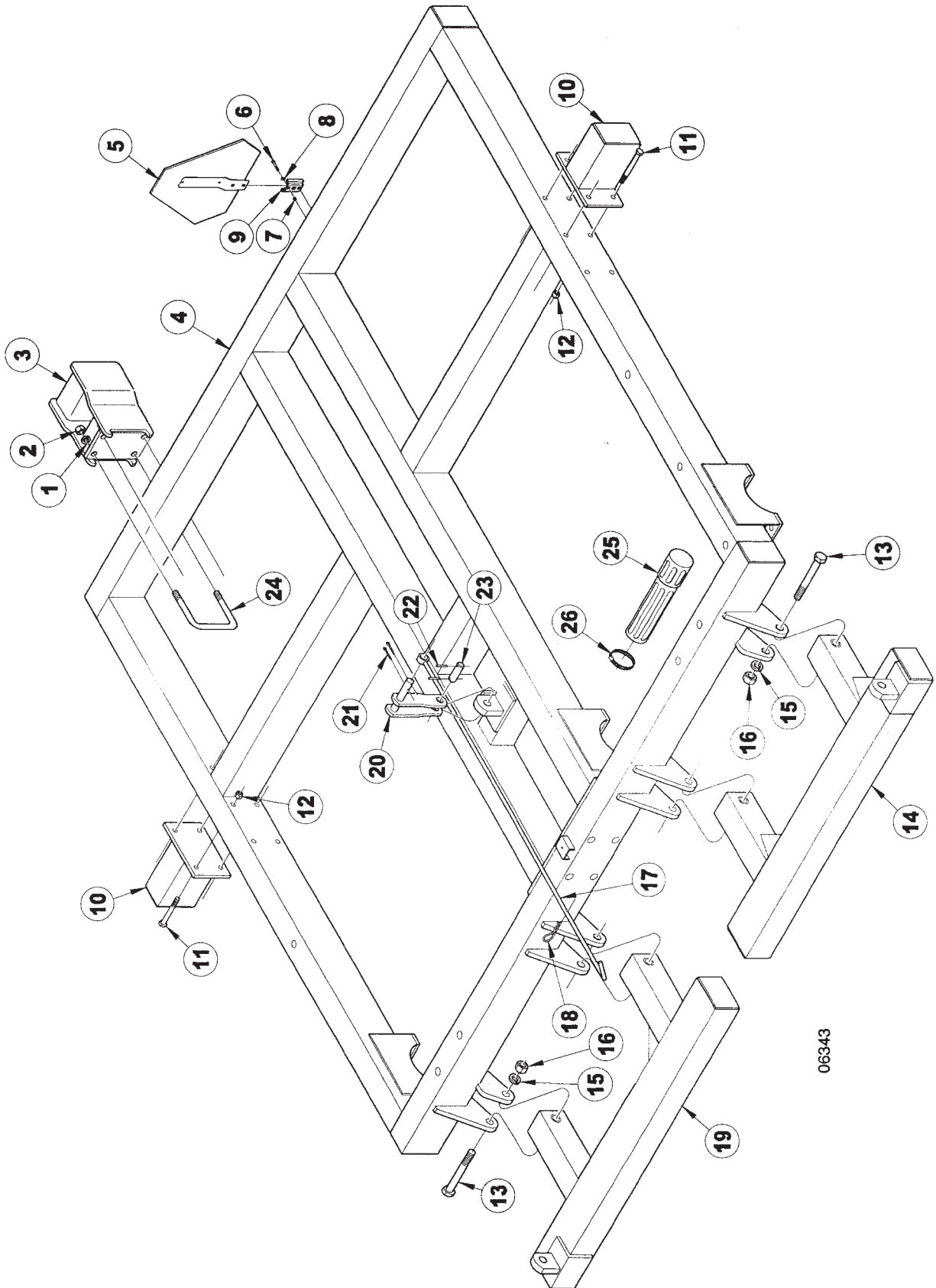
3
INDEX

Part No.	Page	Grid	Part No.	Page	Grid	Part No.	Page	Grid	Part No.	Page	Grid
SNCS516114	45	1-B 10	SN106	73	1-B 13	SN1609	11	1-B 7	SN2867	13	1-B 7
SNCS516114	47	1-B 10	SN108	21	1-B 8	SN1610	19	1-B 7	SN2893	35	1-B 9
SNFK150013	33	1-B 9	SN108	73	1-B 13	SN1652	11	1-B 7	SN2893	65	1-B 12
SNFK150053	15	1-B 7	SN109	7	1-B 6	SN1675	55	1-B 11	SN2949	27	1-B 8
SNFK150053	17	1-B 7	SN110	7	1-B 6	SN1675	57	1-B 11	SN2949	29	1-B 8
SNFK150144	11	1-B 7	SN110	9	1-B 6	SN1725	27	1-B 8	SN2949	31	1-B 9
SNFK150157	11	1-B 7	SN110	11	1-B 7	SN1725	29	1-B 8	SN2992	15	1-B 7
SNFK150173	55	1-B 11	SN110	33	1-B 9	SN1725	31	1-B 9	SN2992	17	1-B 7
SNFK150173	57	1-B 11	SN110	35	1-B 9	SN1726	27	1-B 8	SN2999	21	1-B 8
SNFK150173	73	1-B 13	SN110	55	1-B 11	SN1726	29	1-B 8	SN302	19	1-B 7
SNFK150185	59	1-B 11	SN110	57	1-B 11	SN1726	31	1-B 9	SN302	67	1-B 12
SNFK150219	11	1-B 7	SN110	73	1-B 13	SN1753	33	1-B 9	SN302	69	1-B 12
SNFK150257	59	1-B 11	SN112	63	1-B 12	SN1753	35	1-B 9	SN302	71	1-B 13
SNFK150264	55	1-B 11	SN1122	21	1-B 8	SN1765	11	1-B 7	SN303	19	1-B 7
SNFK150264	57	1-B 11	SN1122	65	1-B 12	SN1791	29	1-B 8	SN303	67	1-B 12
SNFK150264	73	1-B 13	SN113	33	1-B 9	SN1823	63	1-B 12	SN303	69	1-B 12
SNFK150283	59	1-B 11	SN113	57	1-B 11	SN1823	73	1-B 13	SN303	71	1-B 13
SNFK151053	57	1-B 11	SN113	61	1-B 12	SN1849	35	1-B 9	SN3036	67	1-B 12
SNFK351023	55	1-B 11	SN114	57	1-B 11	SN1880	29	1-B 8	SN3041	67	1-B 12
SNFK351023	57	1-B 11	SN114	61	1-B 12	SN1881	11	1-B 7	SN3042	67	1-B 12
SNFK351023	73	1-B 13	SN1187	59	1-B 11	SN1935	19	1-B 7	SN3043	67	1-B 12
SNFK361002	55	1-B 11	SN12033	39	1-B 9	SN1936	19	1-B 7	SN3044	67	1-B 12
SNFK361002	57	1-B 11	SN12033	43	1-B 10	SN1937	19	1-B 7	SN305	67	1-B 12
SNFK361002	73	1-B 13	SN12047	35	1-B 9	SN1944	19	1-B 7	SN305	69	1-B 12
SNFK361003	55	1-B 11	SN12048	35	1-B 9	SN1946	15	1-B 7	SN305	71	1-B 13
SNFK361003	57	1-B 11	SN12052	47	1-B 10	SN1946	17	1-B 7	SN3050	67	1-B 12
SNFK361003	73	1-B 13	SN12053	47	1-B 10	SN1946	29	1-B 8	SN3050	69	1-B 12
SNFK501164	57	1-B 11	SN12054	47	1-B 10	SN1946	33	1-B 9	SN3050	71	1-B 13
SNFK501168	55	1-B 11	SN12055	39	1-B 9	SN1990	21	1-B 8	SN3052	67	1-B 12
SNFK501168	57	1-B 11	SN12055	43	1-B 10	SN1990-1	21	1-B 8	SN3055	67	1-B 12
SNFK501168	73	1-B 13	SN12059	35	1-B 9	SN1997	21	1-B 8	SN3055	69	1-B 12
SNFK501229	55	1-B 11	SN1220	33	1-B 9	SN2007	21	1-B 8	SN3055	71	1-B 13
SNFK501229	57	1-B 11	SN12257	67	1-B 12	SN2036	21	1-B 8	SN3058	19	1-B 7
SNFK501229	73	1-B 13	SN12257	71	1-B 13	SN2037	21	1-B 8	SN3061	15	1-B 7
SNHCL	59	1-B 11	SN12473B	29	1-B 8	SN2045	63	1-B 12	SN3061	17	1-B 7
SNHCS12131	33	1-B 9	SN12565P	29	1-B 8	SN2073	15	1-B 7	SN3062	15	1-B 7
SNH10-003	59	1-B 11	SN12569	29	1-B 8	SN2073	17	1-B 7	SN3062	17	1-B 7
SNROG-014	61	1-B 12	SN12570	29	1-B 8	SN2078	55	1-B 11	SN3063	15	1-B 7
SNYYB3471	59	1-B 11	SN12571R	29	1-B 8	SN2078	57	1-B 11	SN3063	17	1-B 7
SN10F-1639	59	1-B 11	SN12572	29	1-B 8	SN2078	73	1-B 13	SN3066	7	1-B 6
SN1040	7	1-B 6	SN12574	29	1-B 8	SN2079	27	1-B 8	SN3066	9	1-B 6
SN1040	9	1-B 6	SN12655	29	1-B 8	SN2089	61	1-B 12	SN3066	15	1-B 7
SN1040	11	1-B 7	SN1283	7	1-B 6	SN2094	13	1-B 7	SN3066	17	1-B 7
SN1040	13	1-B 7	SN1283	9	1-B 6	SN2096	11	1-B 7	SN3066	19	1-B 7
SN1040	15	1-B 7	SN1283	11	1-B 7	SN2097	7	1-B 6	SN3067	21	1-B 8
SN1040	17	1-B 7	SN1283	33	1-B 9	SN2098-1	11	1-B 7	SN3087	21	1-B 8
SN1040	21	1-B 8	SN1283	35	1-B 9	SN2098-4	29	1-B 8	SN3088	25	1-B 8
SN1040	27	1-B 8	SN1283	55	1-B 11	SN2098-6	19	1-B 7	SN3090	21	1-B 8
SN1040	29	1-B 8	SN1283	57	1-B 11	SN2194	21	1-B 8	SN3091	23	1-B 8
SN1040	31	1-B 9	SN1283	73	1-B 13	SN2198	19	1-B 7	SN3094	23	1-B 8
SN1040	53	1-B 11	SN1299	67	1-B 12	SN2316	35	1-B 9	SN3095	21	1-B 8
SN1040	55	1-B 11	SN1308	69	1-B 12	SN2425	35	1-B 9	SN3096	21	1-B 8
SN1040	57	1-B 11	SN1357	33	1-B 9	SN2426	35	1-B 9	SN3100	21	1-B 8
SN1040	63	1-B 12	SN1456	73	1-B 13	SN245	15	1-B 7	SN3117	19	1-B 7
SN1040	65	1-B 12	SN1484	21	1-B 8	SN245	17	1-B 7	SN3118	19	1-B 7
SN1040	73	1-B 13	SN1507	25	1-B 8	SN245	35	1-B 9	SN3152	11	1-B 7
SN105	15	1-B 7	SN155	11	1-B 7	SN2557	61	1-B 12	SN3158	35	1-B 9
SN105	17	1-B 7	SN156	11	1-B 7	SN2566	7	1-B 6	SN3159	33	1-B 9
SN1053-1	27	1-B 8	SN156	27	1-B 8	SN2566	9	1-B 6	SN3160	35	1-B 9
SN1053-1	31	1-B 9	SN156	29	1-B 8	SN2568	7	1-B 6	SN3161	35	1-B 9
SN106	7	1-B 6	SN156	31	1-B 9	SN2568	9	1-B 6	SN3162	27	1-B 8
SN106	9	1-B 6	SN156	67	1-B 12	SN2585	19	1-B 7	SN3163	27	1-B 8
SN106	11	1-B 7	SN1570-1	15	1-B 7	SN2587	49	1-B 10	SN3163	29	1-B 8
SN106	13	1-B 7	SN1570-1	17	1-B 7	SN2723B	21	1-B 8	SN3163	35	1-B 9
SN106	15	1-B 7	SN1571	15	1-B 7	SN2755	73	1-B 13	SN3163	65	1-B 12
SN106	17	1-B 7	SN1571	17	1-B 7	SN2761	21	1-B 8	SN3164	7	1-B 6
SN106	21	1-B 8	SN159	55	1-B 11	SN2763	21	1-B 8	SN3164	9	1-B 6
SN106	27	1-B 8	SN159	57	1-B 11	SN2812-1	21	1-B 8	SN3164	35	1-B 9
SN106	29	1-B 8	SN159	67	1-B 12	SN2814	21	1-B 8	SN3164	59	1-B 11
SN106	31	1-B 9	SN159	73	1-B 13	SN2840	25	1-B 8	SN3164	65	1-B 12
SN106	53	1-B 11	SN1599	55	1-B 11	SN2843	25	1-B 8	SN3253	35	1-B 9
SN106	55	1-B 11	SN1599	57	1-B 11	SN2844	25	1-B 8	SN3273	21	1-B 8
SN106	57	1-B 11	SN1599	73	1-B 13	SN2866	21	1-B 8	SN329	71	1-B 13
SN106	63	1-B 12	SN1605	19	1-B 7	SN2867	7	1-B 6	SN3299	19	1-B 7
SN106	65	1-B 12	SN1606	19	1-B 7	SN2867	9	1-B 6	SN3300	19	1-B 7

INDEX

Part No.	Page	Grid	Part No.	Page	Grid	Part No.	Page	Grid	Part No.	Page	Grid
SN3301	19	1-B 7	SN3769	65	1-B 12	SN4804	27	1-B 8	SN5515	73	1-B 13
SN3302	19	1-B 7	SN3771	65	1-B 12	SN4804	29	1-B 8	SN5523	73	1-B 13
SN3303	19	1-B 7	SN3772	65	1-B 12	SN4804	31	1-B 9	SN5524	73	1-B 13
SN3306	65	1-B 12	SN3773	65	1-B 12	SN4810	29	1-B 8	SN5525	73	1-B 13
SN3330	15	1-B 7	SN3790	67	1-B 12	SN4815	59	1-B 11	SN5526	73	1-B 13
SN3330	17	1-B 7	SN3807	11	1-B 7	SN4816	59	1-B 11	SN5527	73	1-B 13
SN3331	15	1-B 7	SN3820	67	1-B 12	SN4820	59	1-B 11	SN5528	73	1-B 13
SN3331	17	1-B 7	SN3821	69	1-B 12	SN4821	59	1-B 11	SN5529	73	1-B 13
SN3353	13	1-B 7	SN3827	69	1-B 12	SN4829	59	1-B 11	SN5544	29	1-B 8
SN3354	13	1-B 7	SN3863	69	1-B 12	SN4830	59	1-B 11	SN5545	73	1-B 13
SN3355	13	1-B 7	SN3874	67	1-B 12	SN4831	59	1-B 11	SN5546	73	1-B 13
SN3371	13	1-B 7	SN3880	27	1-B 8	SN4832	59	1-B 11	SN5547	73	1-B 13
SN3455	11	1-B 7	SN3880	29	1-B 8	SN486	27	1-B 8	SN5557	53	1-B 11
SN3456	11	1-B 7	SN3880	35	1-B 9	SN486	29	1-B 8	SN5572	73	1-B 13
SN3457	11	1-B 7	SN3880	65	1-B 12	SN486	31	1-B 9	SN5573	73	1-B 13
SN3458	11	1-B 7	SN3881	7	1-B 6	SN486	61	1-B 12	SN5574	73	1-B 13
SN3459	7	1-B 6	SN3881	9	1-B 6	SN4871	59	1-B 11	SN5575	73	1-B 13
SN3459	9	1-B 6	SN3881	27	1-B 8	SN4874	59	1-B 11	SN5635	33	1-B 9
SN3460	9	1-B 6	SN3881	29	1-B 8	SN4876	59	1-B 11	SN5636	33	1-B 9
SN3461	15	1-B 7	SN3881	35	1-B 9	SN4879	59	1-B 11	SN5637	33	1-B 9
SN3464	7	1-B 6	SN3881	65	1-B 12	SN4880	59	1-B 11	SN5645	33	1-B 9
SN3465	7	1-B 6	SN3894	63	1-B 12	SN4885	55	1-B 11	SN5646	33	1-B 9
SN3466	7	1-B 6	SN3895B	63	1-B 12	SN4885	57	1-B 11	SN5659	33	1-B 9
SN3467	7	1-B 6	SN3920	15	1-B 7	SN4885	73	1-B 13	SN5660	33	1-B 9
SN3468	9	1-B 6	SN3938	33	1-B 9	SN4924	23	1-B 8	SN5661	33	1-B 9
SN3469	9	1-B 6	SN3938	35	1-B 9	SN5015	33	1-B 9	SN5668	61	1-B 12
SN3470	9	1-B 6	SN3938	55	1-B 11	SN506	7	1-B 6	SN5669	61	1-B 12
SN3471	9	1-B 6	SN3938	57	1-B 11	SN506	9	1-B 6	SN5676	31	1-B 9
SN3472	9	1-B 6	SN3938	73	1-B 13	SN5062	33	1-B 9	SN5710	67	1-B 12
SN3473	9	1-B 6	SN3942	21	1-B 8	SN5063	33	1-B 9	SN5711	67	1-B 12
SN3474	25	1-B 8	SN3944	21	1-B 8	SN5066	33	1-B 9	SN5838	49	1-B 10
SN3476	25	1-B 8	SN3945	21	1-B 8	SN5067	33	1-B 9	SN5844	49	1-B 10
SN3478	35	1-B 9	SN3949	67	1-B 12	SN5068	33	1-B 9	SN5845	49	1-B 10
SN3479	35	1-B 9	SN3958	25	1-B 8	SN5080	33	1-B 9	SN5846	49	1-B 10
SN3481	7	1-B 6	SN3967	63	1-B 12	SN5081	33	1-B 9	SN5847	49	1-B 10
SN3481	9	1-B 6	SN3968	63	1-B 12	SN5089	33	1-B 9	SN5848	49	1-B 10
SN3482	7	1-B 6	SN3969	63	1-B 12	SN5090	59	1-B 11	SN5849	49	1-B 10
SN3482	9	1-B 6	SN3970	63	1-B 12	SN5091	59	1-B 11	SN5857	49	1-B 10
SN3483	11	1-B 7	SN3972	63	1-B 12	SN5092	59	1-B 11	SN5884	73	1-B 13
SN3484	21	1-B 8	SN3975	63	1-B 12	SN5096	13	1-B 7	SN5885	73	1-B 13
SN3485	11	1-B 7	SN3977	63	1-B 12	SN5155	59	1-B 11	SN5894	73	1-B 13
SN3485	35	1-B 9	SN3979	63	1-B 12	SN5156	59	1-B 11	SN5945	7	1-B 6
SN3567	63	1-B 12	SN3982	63	1-B 12	SN5273	33	1-B 9	SN5945	9	1-B 6
SN3568	69	1-B 12	SN3983	63	1-B 12	SN5274	33	1-B 9	SN5945	31	1-B 9
SN3572	67	1-B 12	SN3984	63	1-B 12	SN5286	33	1-B 9	SN6580	17	1-B 7
SN3577	19	1-B 7	SN3985	63	1-B 12	SN5289	33	1-B 9	SN6642	67	1-B 12
SN3578	19	1-B 7	SN4090002	35	1-B 9	SN5334	11	1-B 7	SN668	57	1-B 11
SN3580	19	1-B 7	SN4116002	35	1-B 9	SN5339	35	1-B 9	SN669	57	1-B 11
SN3584Y	19	1-B 7	SN4150005	35	1-B 9	SN5356	9	1-B 6	SN669-1	7	1-B 6
SN3678	25	1-B 8	SN4168002	35	1-B 9	SN5370	11	1-B 7	SN669-1	9	1-B 6
SN3735	59	1-B 11	SN4437	35	1-B 9	SN5371	11	1-B 7	SN669-1	31	1-B 9
SN3750	7	1-B 6	SN4438	35	1-B 9	SN5379	25	1-B 8	SN669-1	59	1-B 11
SN3750	9	1-B 6	SN4441	35	1-B 9	SN5384	7	1-B 6	SN669-1	61	1-B 12
SN3751	31	1-B 9	SN4454	35	1-B 9	SN5385	7	1-B 6	SN669-1	63	1-B 12
SN3753B	31	1-B 9	SN4455	35	1-B 9	SN5385	9	1-B 6	SN669-1	67	1-B 12
SN3754	31	1-B 9	SN4458	37	1-B 9	SN5385	35	1-B 9	SN669-1	69	1-B 12
SN3755	31	1-B 9	SN4458	39	1-B 9	SN5385	65	1-B 12	SN669-1	71	1-B 13
SN3756	31	1-B 9	SN4458	41	1-B 10	SN5388	35	1-B 9	SN669-1	73	1-B 13
SN3757	31	1-B 9	SN4458	43	1-B 10	SN5417	11	1-B 7	SN670	63	1-B 12
SN3757	67	1-B 12	SN4464	35	1-B 9	SN5418	27	1-B 8	SN6806	71	1-B 13
SN3758	31	1-B 9	SN4738	63	1-B 12	SN5419	27	1-B 8	SN6999	55	1-B 11
SN3759	31	1-B 9	SN4781	11	1-B 7	SN5419	29	1-B 8	SN6999	57	1-B 11
SN3763	7	1-B 6	SN4788	57	1-B 11	SN5421	27	1-B 8	SN6999	73	1-B 13
SN3763	9	1-B 6	SN4789	55	1-B 11	SN5422	27	1-B 8	SN7000	55	1-B 11
SN3763	13	1-B 7	SN4789	57	1-B 11	SN5424	27	1-B 8	SN7000	57	1-B 11
SN3763	31	1-B 9	SN4789	73	1-B 13	SN5425	27	1-B 8	SN7000	73	1-B 13
SN3763	53	1-B 11	SN4790	57	1-B 11	SN5426	27	1-B 8	SN7001	7	1-B 6
SN3763	63	1-B 12	SN4791	57	1-B 11	SN5426	29	1-B 8	SN7001	9	1-B 6
SN3763	65	1-B 12	SN4792	57	1-B 11	SN5428	27	1-B 8	SN7013	63	1-B 12
SN3764	63	1-B 12	SN4793	57	1-B 11	SN5429	27	1-B 8	SN7016	63	1-B 12
SN3765	7	1-B 6	SN4794	57	1-B 11	SN5507	33	1-B 9	SN7045	63	1-B 12
SN3765	9	1-B 6	SN4795	55	1-B 11	SN5509	73	1-B 13	SN7078	65	1-B 12
SN3766	65	1-B 12	SN4803	27	1-B 8	SN5510	73	1-B 13	SN71L-2901	55	1-B 11
SN3767	65	1-B 12	SN4803	29	1-B 8	SN5511	73	1-B 13	SN71L-2901	57	1-B 11
SN3768	65	1-B 12	SN4803	31	1-B 9	SN5512	73	1-B 13	SN71L-2901	73	1-B 13

7 & 9 SHANK FRAME



06343

**4212 PARTS MANUAL
SERVICE PARTS**

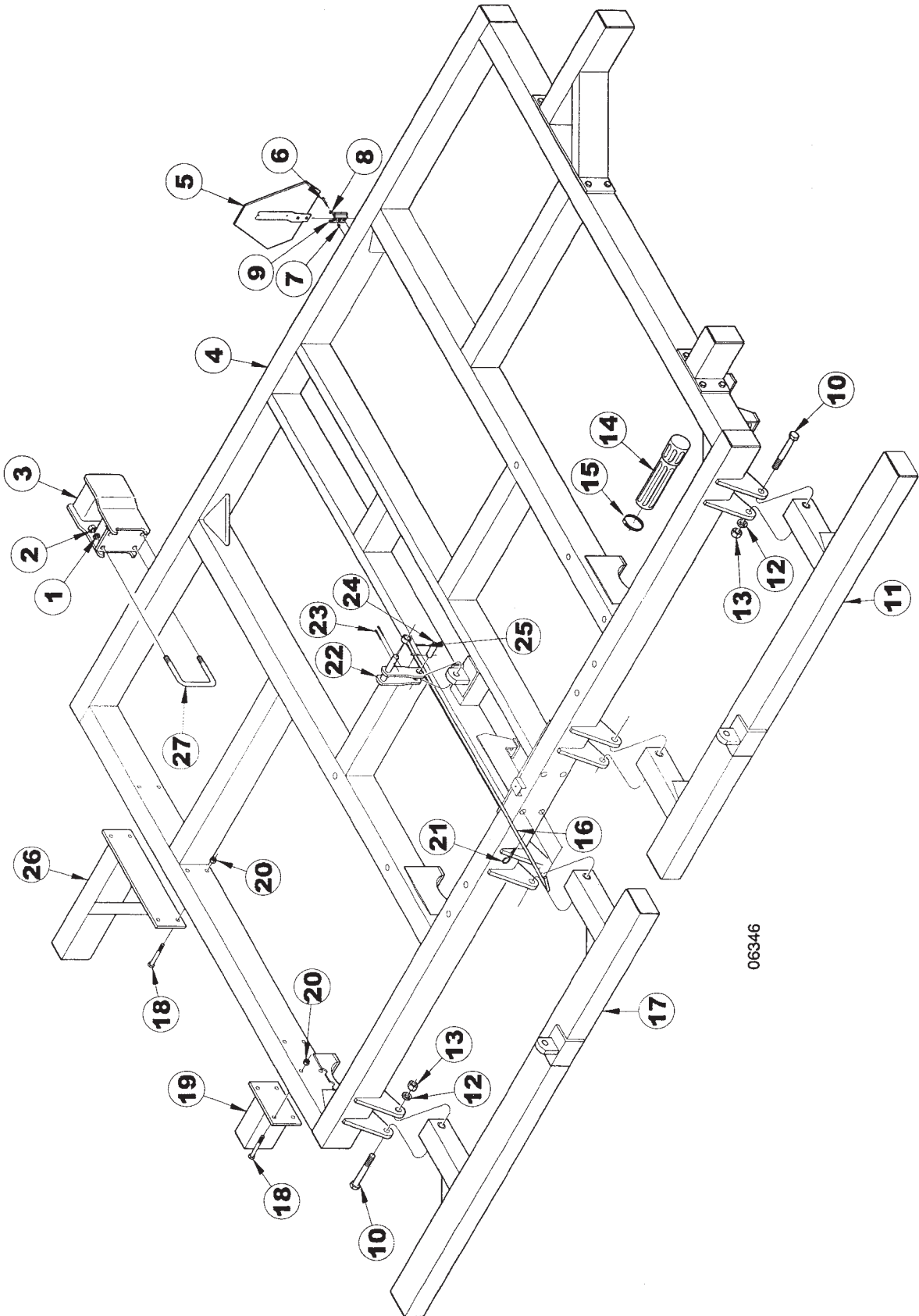
7

7 & 9 SHANK FRAME

ITEM	NUMBER	QTY	DESCRIPTION
1	SN1040		LOCK WASHER, 3/4" SPLIT TYPE MED, Y/D
2	SN106		HEX NUT, 3/4"-10 FULL, GR 5, Y/D
3	SN7309		SHANK MOUNT, OFFSET
	SN5945		SHANK MOUNT ASSEMBLY, OFFSET (ITEMS 1, 2, 3, & 24)
4	SN5384		CENTER FRAME, 4212
5	SN7001		SMV EMBLEM
6	SN2568		HEX BOLT, 1/4"-20 X 3/4", GR 5 Y/D
7	SN3881		LOCK NUT, 1/4"-20 HEX NYLON INSERT, GR 2, Y/D
8	SN506		FLAT WASHER, 1/4", Y/D
9	SN2566		S.M.V. SOCKET
10	SN3459		EXTENSION, 1 SHANK
11	SN2097		HEX BOLT, 5/8"-11 X 5 1/2", GR 5, Y/D
12	SN669-1		LOCK NUT, 5/8" HEX NYLON
13	SN109		HEX BOLT, 1"-8 X 7", GR 5, Y/D
14	SN3465		GANG BAR, 53" LEFT (7 SHANK)
	SN3467		GANG BAR, 58 1/2" LEFT (9 SHANK)
15	SN1283		LOCK WASHER, 1" SPLIT TYPE MED, Y/D
16	SN110		HEX NUT, 1"-8 FULL, GR 5, Y/D
17	SN3481		TRANSPORT LEVER
18	SN2867		PIN CLIP, 1/2"-5/8" SHAFT, .120" DIA, 2" L
19	SN3464		GANG BAR, 53" RIGHT (7 SHANK)
	SN3466		GANG BAR, 58 1/2" RIGHT (9 SHANK)
20	SN3482		TRANSPORT LOCK
21	SN3066		COTTER PIN, 7/32" X 1 1/2"
22	SN3164		ROLL PIN, 5/16" X 2" SPIRAL MEDIUM DUTY, Y/D
23	SN5385		PIN, 1" X 3" (2 1/16"), Y/D
24	SN3763		U-BOLT, 3/4"-10 X 5 3/4" X 6 3/4" W, GR 5, Y/D
25	SN3750		OPERATOR'S MANUAL TUBE
26	SN3765		HOSE CLAMP, 3 1/2"

I0006343
PR: t05g29115b0001

11, 13, & 15 SHANK FRAME



06346

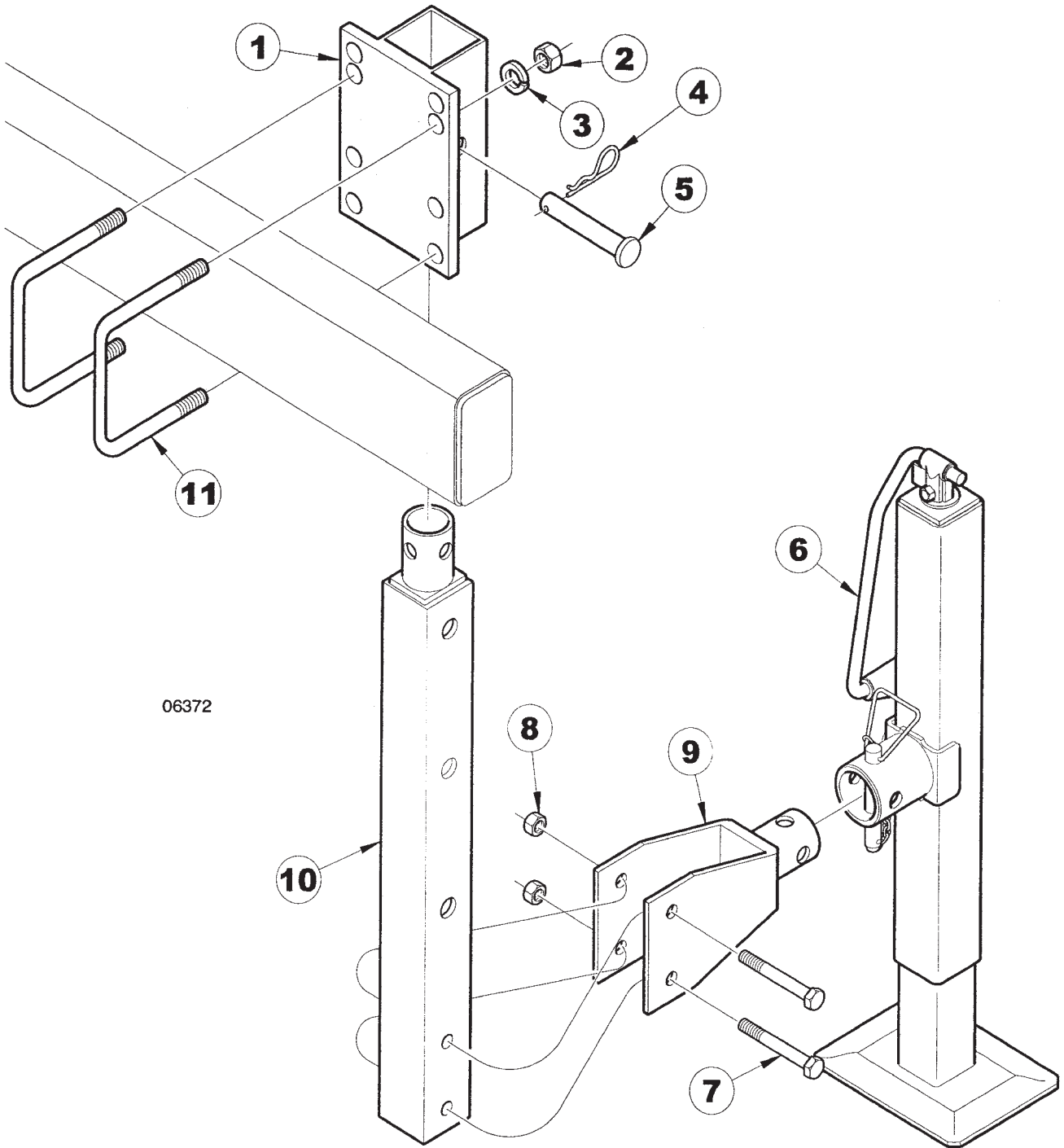
ITEM	NUMBER	QTY	DESCRIPTION
1	SN1040		LOCK WASHER, 3/4" SPLIT TYPE MED, Y/D
2	SN106		HEX NUT, 3/4"-10 FULL, GR 5, Y/D
3	SN7309		SHANK MOUNT, OFFSET
	SN5945		SHANK MOUNT ASSEMBLY, OFFSET (ITEMS 1, 2, 3, & 27)
4	SN5356		CENTER FRAME, 4212
5	SN7001		SMV EMBLEM
6	SN2568		HEX BOLT, 1/4"-20 X 3/4", GR 5 Y/D
7	SN3881		LOCK NUT, 1/4"-20 HEX NYLON INSERT, GR 2, Y/D
8	SN506		FLAT WASHER, 1/4", Y/D
9	SN2566		S.M.V. SOCKET
10	SN109		HEX BOLT, 1"-8 X 7", GR 5, Y/D
11	SN3469		GANG BAR, 79 3/4" LEFT (11 SHANK)
	SN3471		GANG BAR, 88 1/2" LEFT (13 SHANK)
	SN3473		GANG BAR, 103 1/2" LEFT (15 SHANK)
12	SN1283		LOCK WASHER, 1" SPLIT TYPE MED, Y/D
13	SN110		HEX NUT, 1"-8 FULL, GR 5, Y/D
14	SN3750		OPERATOR'S MANUAL TUBE
15	SN3765		HOSE CLAMP, 3 1/2"
16	SN3481		TRANSPORT LEVER
17	SN3468		GANG BAR, 79 3/4" RIGHT (11 SHANK)
	SN3470		GANG BAR, 88 1/2" RIGHT (13 SHANK)
	SN3472		GANG BAR, 103 1/2" RIGHT (15 SHANK)
18	SN2097		HEX BOLT, 5/8"-11 X 5 1/2", GR 5, Y/D
19	SN3459		EXTENSION, 1 SHANK
20	SN669-1		LOCK NUT, 5/8" HEX NYLON
21	SN2867		PIN CLIP, 1/2"-5/8" SHAFT, .120" DIA, 2" L
22	SN3482		TRANSPORT LOCK
23	SN3066		COTTER PIN, 7/32" X 1 1/2"
24	SN5385		PIN, 1" X 3" (2 1/16"), Y/D
25	SN3164		ROLL PIN, 5/16" X 2" SPIRAL MEDIUM DUTY , Y/D
26	SN3460		EXTENSION, 2 SHANK
27	SN3763		U-BOLT, 3/4"-10 X 5 3/4" X 6 3/4" W, GR 5, Y/D

I0006346
PR: t05g29115b0002

ITEM	NUMBER	QTY	DESCRIPTION
1	SN3485		HEX BOLT, 1"-8 X 8", GR 5, Y/D
2	SN1283		LOCK WASHER, 1" SPLIT TYPE MED, Y/D
3	SN110		HEX NUT, 1"-8 FULL, GR 5, Y/D
4	SN109		HEX BOLT, 1"-8 X 7", GR 5, Y/D
5	SN2096		LOCK NUT, 1/2"-13 HEX NYLON INSERT
6	SN3456		TONGUE BRACE, 7 & 9 SHANK
	SN3458		TONGUE BRACE, 11-15 SHANK, LEFT
7	SN7322		HEX BOLT, 3/4"-10 X 6", GR 8, Y/D
8	SN9777		LONG TONGUE JACK, SQ W/TUBE MOUNT
9	SNFK150219		HEX BOLT, 1 1/4"-7 X 7 1/2" GR 5, Y/D
10	SN1881		FLAT WASHER, 1 1/2", Y/D
11	SN3152		HITCH CLEVIS HOLDER (DOUBLE CLEVIS)
12	SN5417		BUSHING, HITCH CLEVIS HOLDER (1 1/4" BOLT)
13	SN5370		HITCH CLEVIS BUSHING
14	SN3807		HITCH CLEVIS, 4" DOUBLE 1 1/4" HOLE (7 & 9 SHANK)
	SN1765		HITCH CLEVIS, 4" DOUBLE 1 13/16" HOLE (9, 11, 13, & 15 SHANK)
15	SN2098-1		GREASE ZERK, 1/8" NPTF, 5/8" L
16	SN5334		CAST SINGLE LIP HITCH, 1 1/2" HOLE (7 & 9 SHANK)
	SN4781		CAST SINGLE LIP HITCH, 2" HOLE (11, 13, & 15 SHANK)
17	SNFK150144		HEX NUT, 1 1/4"-7, GR 2, Y/D
18	SNFK150157		LOCK WASHER, 1 1/4", Y/D
19	SN5371		TONGUE
20	SN1652		HOSE HOLDER ROD
21	SN1609		COTTER PIN, 3/16" X 1 1/2"
22	SN156		HEX BOLT, 1/2"-13 X 3", GR 5 Y/D
23	SN155		HEX BOLT, 1"-8 X 3 1/2", GR 5 Y/D
24	SN1040		LOCK WASHER, 3/4" SPLIT TYPE MED, Y/D
25	SN106		HEX NUT, 3/4"-10 FULL, GR 5, Y/D
26	SN3455		TONGUE BRACE, 7 & 9 SHANK
	SN3457		TONGUE BRACE, 11-15 SHANK RIGHT
27	SN3483		CYLINDER BLOCK

I0006344
PR: t05g29115b0003

REAR JACK ASSEMBLY



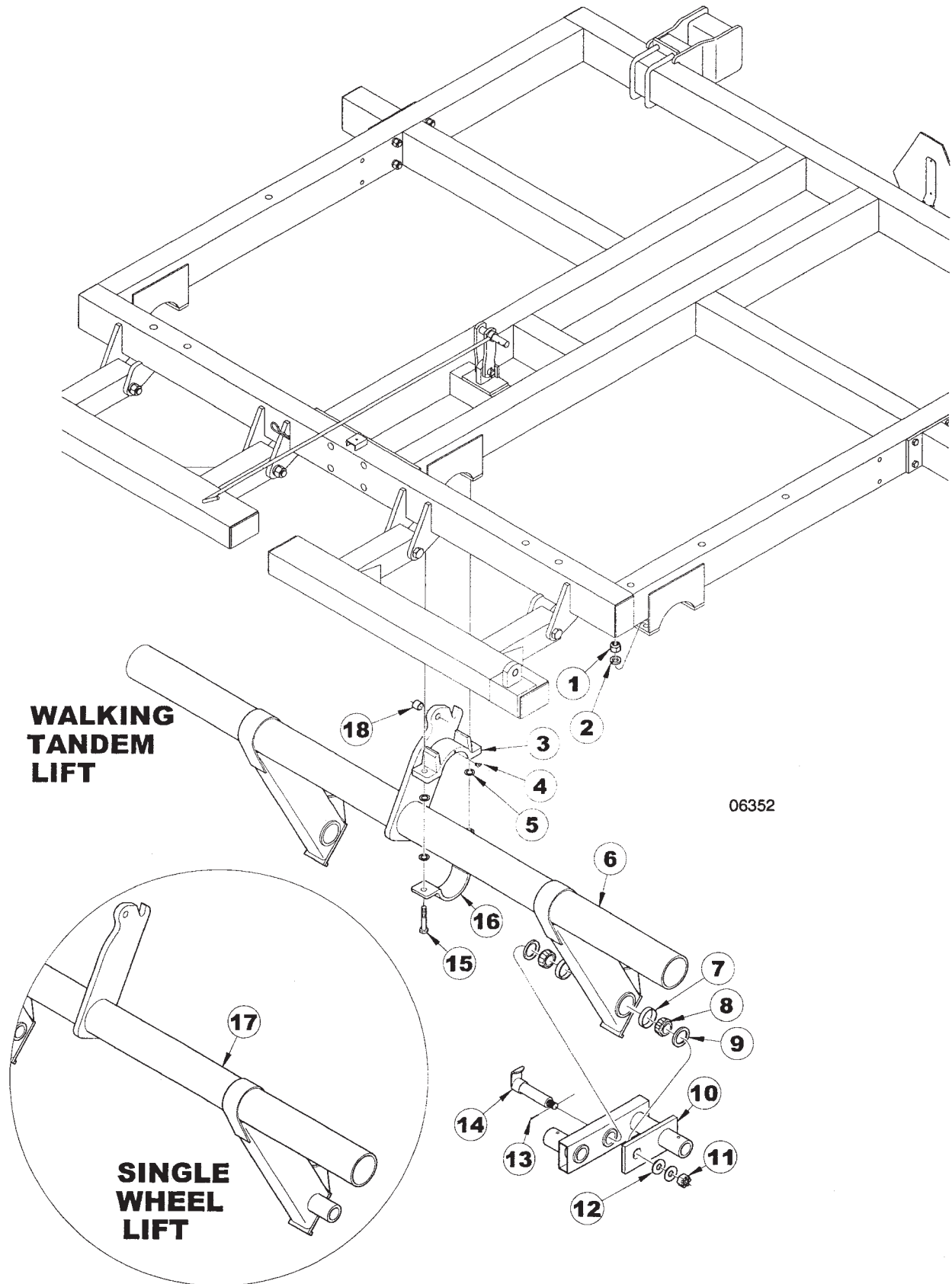
06372

REAR JACK ASSEMBLY

ITEM	NUMBER	QTY	DESCRIPTION
1	SN3353		JACK ADAPTER PLATE
2	SN106		HEX NUT, 3/4"-10 FULL, GR 5, Y/D
3	SN1040		LOCK WASHER, 3/4" SPLIT TYPE MED, Y/D
4	SN2867		PIN CLIP, 1/2"-5/8" SHAFT, .120" DIA, 2" L
5	SN2094		PIN, 3/4" X 4 1/2" (4"), Y/D
6	SN9777		LONG TONGUE JACK, SQ W/TUBE MOUNT
7	SN3371		HEX BOLT, 1/2"-13 X 4", GR 5, Y/D
8	SN2096		LOCK NUT, 1/2"-13 HEX NYLON INSERT
9	SN3355		JACK BRACKET
10	SN3354		JACK TUBE
11	SN3763		U-BOLT, 3/4"-10 X 5 3/4" X 6 3/4" W,
	SN5096		REAR JACK MOUNT ASSY, LONG LESS U-BOLTS & JACK

I0006372
PR: t05g29i15b0004

7 & 9 SHANK LIFT ASSEMBLY



4212 PARTS MANUAL
SERVICE PARTS

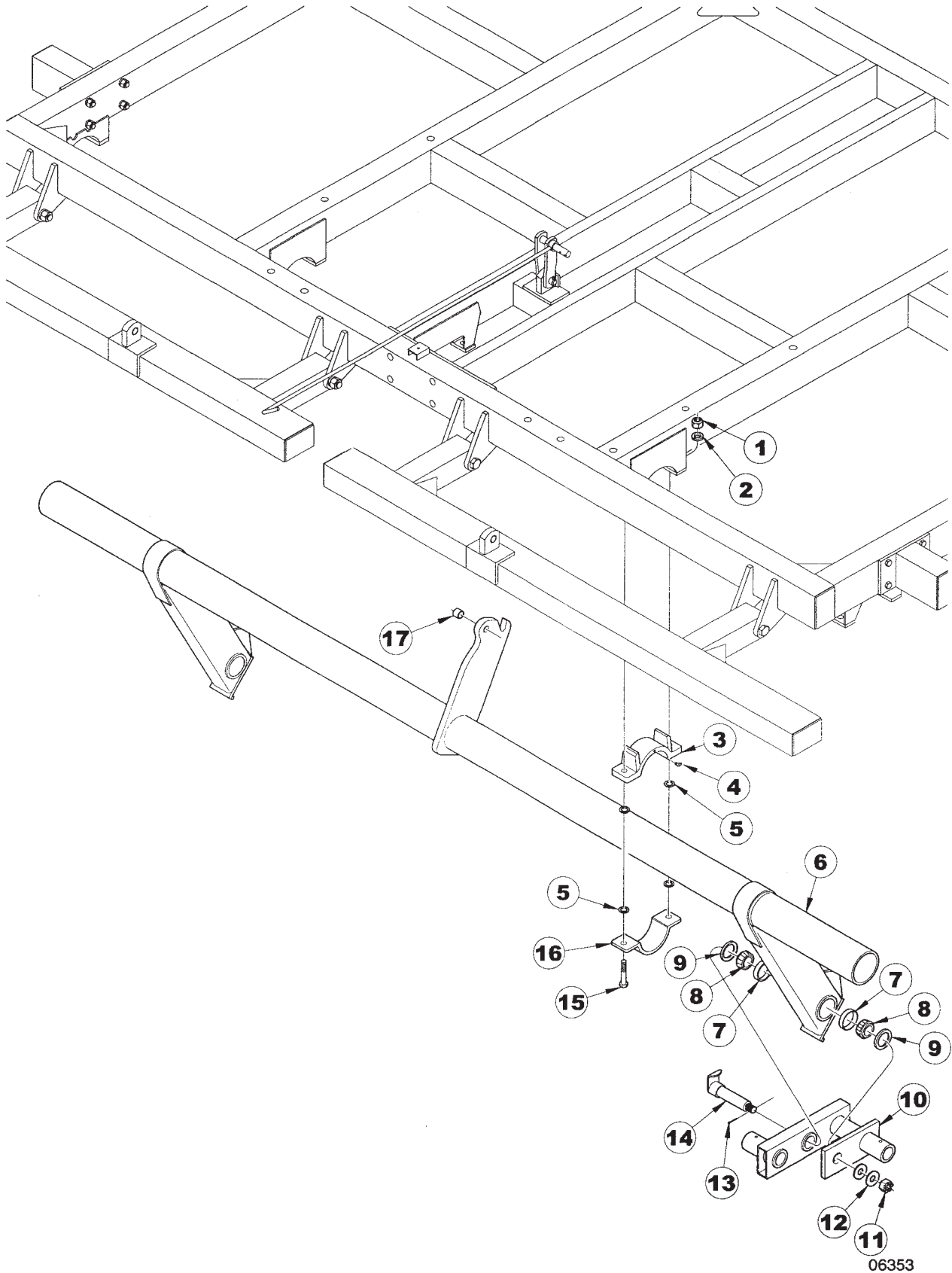
15

7 & 9 SHANK LIFT ASSEMBLY

ITEM	NUMBER	QTY	DESCRIPTION
1	SN106		HEX NUT, 3/4"-10 FULL, GR 5, Y/D
2	SN1040		LOCK WASHER, 3/4" SPLIT TYPE MED, Y/D
3	SN1570-1		TOP CLAMP W/SIDE ZERK HOLE
4	SNFK150053		GREASE ZERK, 1/8" NPT 65 DEG, SHORT ANGLE
5	SN2073		MACHINE BUSHING, 1 1/2" OD X 1" ID, 14 GA, Z/P
6	SN3920		CENTER LIFT, 7 & 9 SHANK
7	SN3062		WALKING BEAM RACE (332)
8	SN3061		WALKING BEAM BEARING (342A)
9	SN3063		WALKING BEAM SEAL (NAT.204035 C/R 22870)
10	SN3330		TANDEM PIVOT
11	SN2992		HEX NUT, 1"-14 FULL SLOTTED GR 2, Y/D
12	SN245		FLAT WASHER, 1" WIDE RIM, Y/D
13	SN3066		COTTER PIN, 7/32" X 1 1/2"
14	SN3331		SPINDLE, 2" X 9 7/8" TANDEM PIVOT
15	SN105		HEX BOLT, 3/4"-10 X 3 1/2", GR 5, Y/D
16	SN1571		BOTTOM CLAMP
17	SN3461		CENTER LIFT, 7 & 9 SHANK
18	SN1946		WEAR BUSHING, 1" ID X 1 1/4" OD

I0006352
PR: t05g29115b0005

11, 13, & 15 SHANK LIFT ASSEMBLY



4212 PARTS MANUAL
SERVICE PARTS

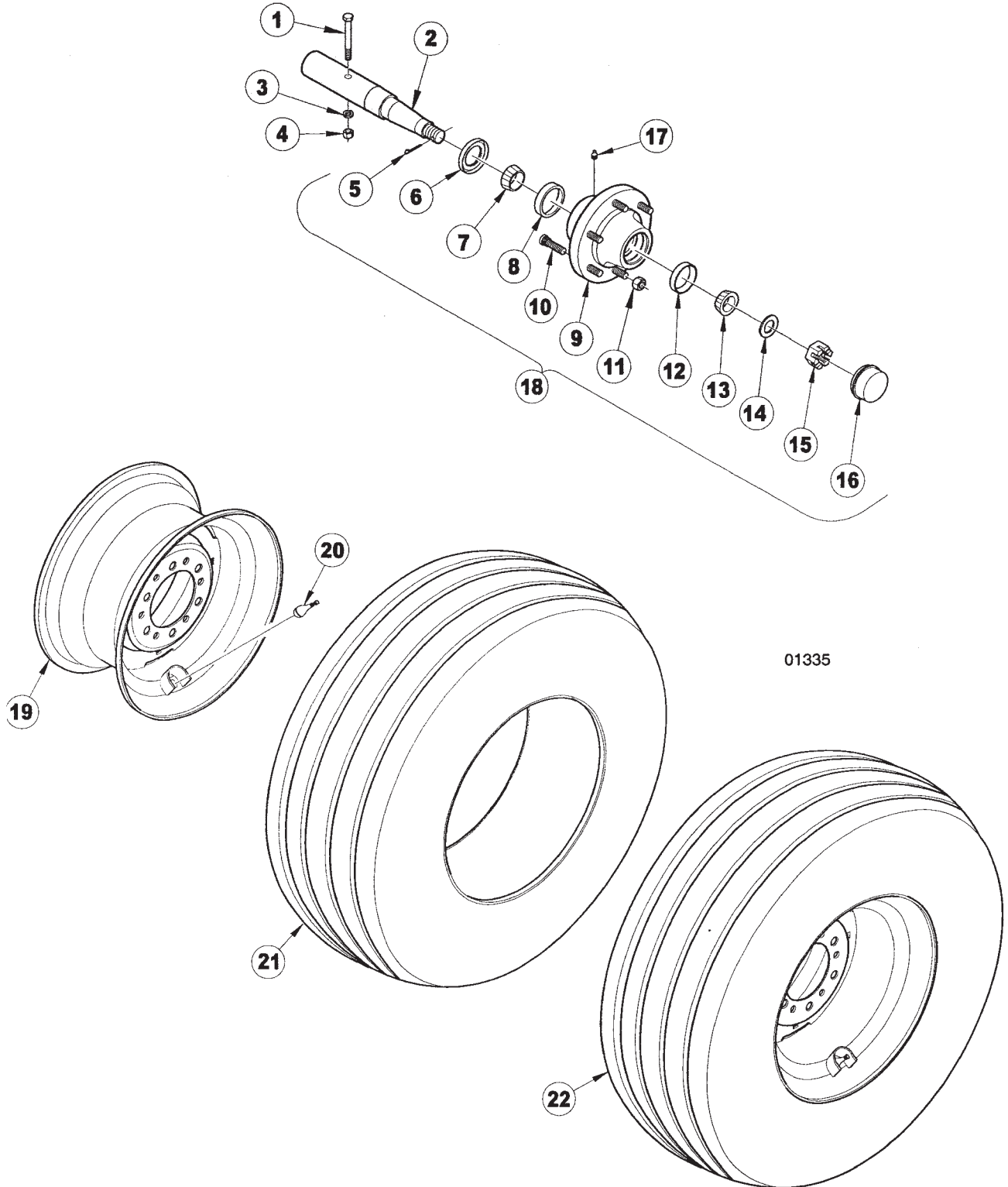
17

11, 13, & 15 SHANK LIFT ASSEMBLY

ITEM	NUMBER	QTY	DESCRIPTION
1	SN106		HEX NUT, 3/4"-10 FULL, GR 5, Y/D
2	SN1040		LOCK WASHER, 3/4" SPLIT TYPE MED, Y/D
3	SN1570-1		TOP CLAMP W/SIDE ZERK HOLE
4	SNFK150053		GREASE ZERK, 1/8" NPT 65 DEG, SHORT ANGLE
5	SN2073		MACHINE BUSHING, 1 1/2" OD X 1" ID, 14 GA, Z/P
6	SN6580		CENTER LIFT, 11-15 SHANK
7	SN3062		WALKING BEAM RACE (332)
8	SN3061		WALKING BEAM BEARING (342A)
9	SN3063		WALKING BEAM SEAL (NAT.204035 C/R 22870)
10	SN3330		TANDEM PIVOT
11	SN2992		HEX NUT, 1"-14 FULL SLOTTED GR 2, Y/D
12	SN245		FLAT WASHER, 1" WIDE RIM, Y/D
13	SN3066		COTTER PIN, 7/32" X 1 1/2"
14	SN3331		SPINDLE, 2" X 9 7/8" TANDEM PIVOT
15	SN105		HEX BOLT, 3/4"-10 X 3 1/2", GR 5, Y/D
16	SN1571		BOTTOM CLAMP
17	SN1946		WEAR BUSHING, 1" ID X 1 1/4" OD

I0006353
PR: t05g29115b0006

SIX BOLT HUB & SPINDLE ASSEMBLY
W/WHEEL & TIRES

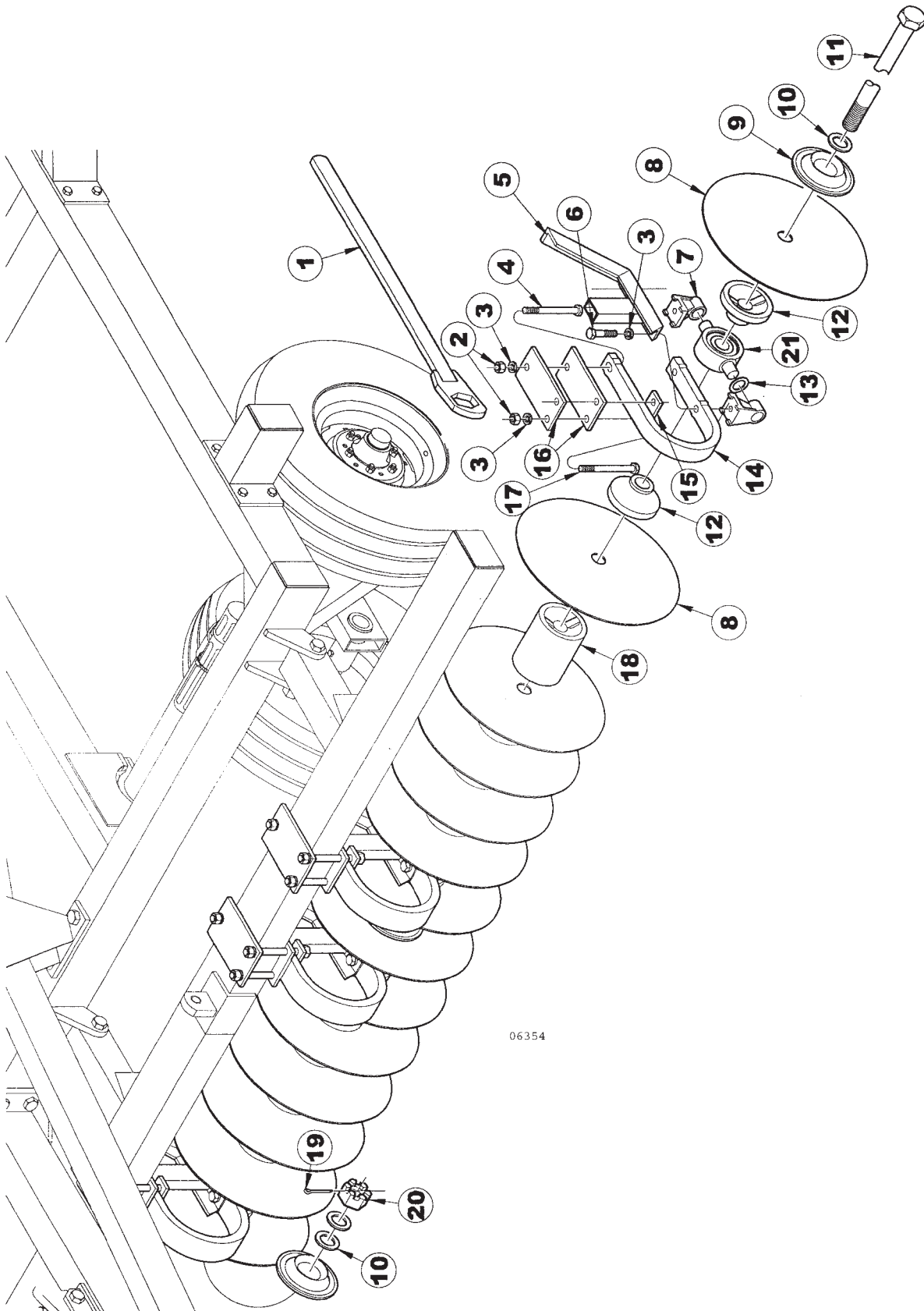


SIX BOLT HUB & SPINDLE ASSEMBLY
W/WHEEL & TIRES

ITEM	NUMBER	QTY	DESCRIPTION
1	SN2585		HEX BOLT, 7/16"-14 X 3 1/2", GR 5, Y/D
2	SN3299		SPINDLE, 2" X 13 3/16"
3	SN302		LOCKWASHER, 7/16" SPLIT TYPE MED, Y/D
4	SN303		HEX NUT, 7/16"-14 FULL, GR 2, Y/D
5	SN3066		COTTER PIN, 7/32" X 1 1/2"
6	SN3301		TRIPLE LIP SEAL
7	SN1935		BEARING (LM501349)
8	SN1936		RACE (LM501310)
9	SN1937		SIX BOLT HUB, STUDDED W/CUPS AND LUG NUTS, PAINTED
10	SN3118		LUG BOLT, 9/16"-18 X 1 7/8" PRESS IN, PL
11	SN3117		LUG NUT, 9/16"-18, GR 5, 90 DEG TAPER, Y/D
12	SN1605		RACE (LM67010)
13	SN1606		BEARING (LM67048)
14	SN3303		WASHER, 1 1/32" ID X 1 3/4" OD X 1/8" THICK, PLAIN
15	SN3302		HEX NUT, 1"-14 FULL SLOTTED GR 2, PLAIN
16	SN1610		DUST CAP, 2.448" OD, Y/D
17	SN2098-6		GREASE ZERK, 1/4"-28, 17/32" L, STRAIGHT W/TAPER THREADS
18	SN3300		SIX BOLT HUB ASSEMBLY W/3301 SEAL
19	SN2198		WHEEL, 15 X 8, 6-BOLT
	SN1944		WHEEL, 15 X 10, 6 BOLT
20	SN3577		VALVE STEM
21	SN3578		TIRE, 9.5L X 15, 8 PLY, TUBELESS
	SN3580		TIRE, 11L X 15, 8 PLY TUBELESS
22	SN3584Y		TIRE, 9.5L 8 PLY TUBELESS W/15 X 8 WH ASSY 6 BT
	SN3058		TIRE, 11L 8 PLY TUBELESS W/15 X 10 WHEEL ASSY 6 BOLT

I0001335
PR: t05g29I15b0007

COULTER GANG ASSEMBLY



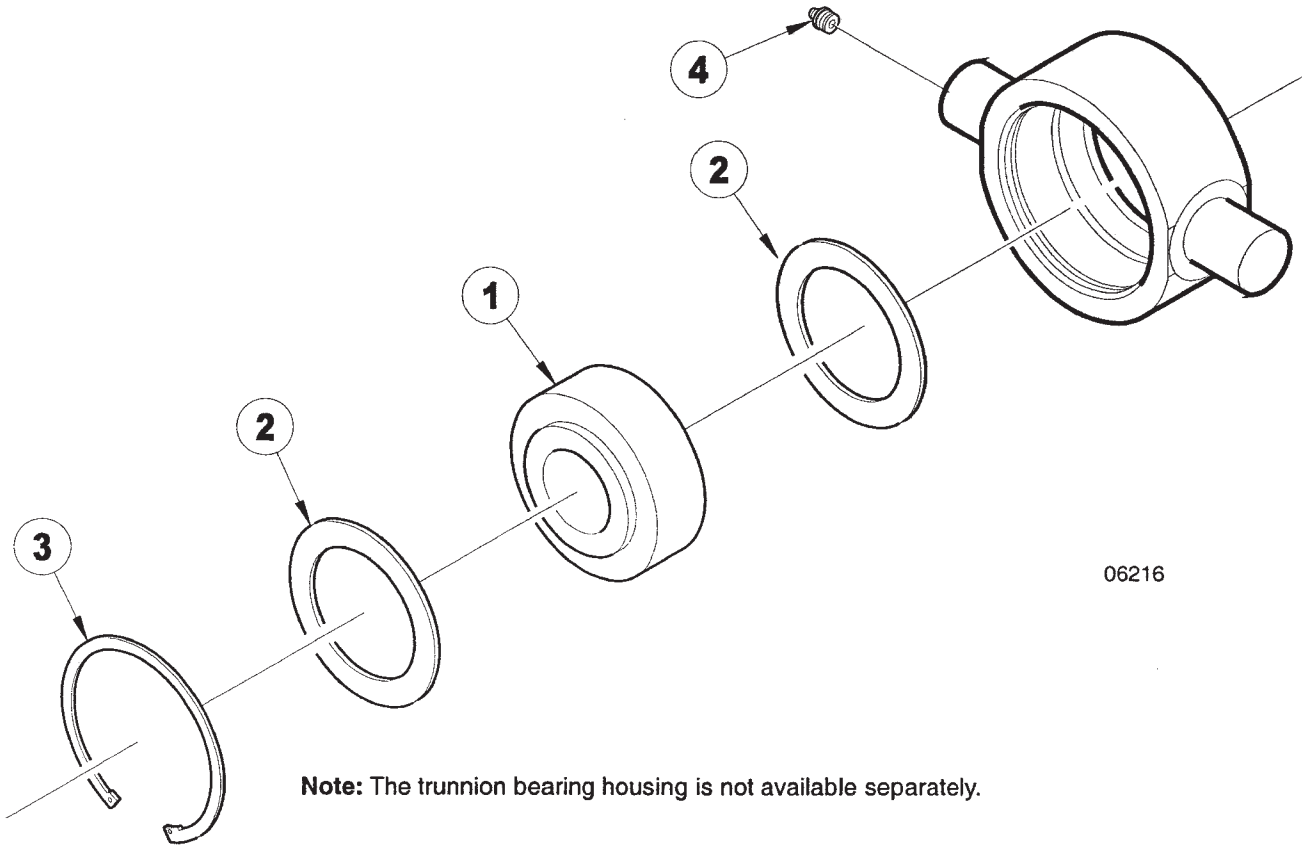
06354

COULTER GANG ASSEMBLY

ITEM	NUMBER	QTY	DESCRIPTION
1	SN2194		GANG WRENCH, 2 3/4"
2	SN106		HEX NUT, 3/4"-10 FULL, GR 5, Y/D
3	SN1040		LOCK WASHER, 3/4" SPLIT TYPE MED, Y/D
4	SN1484		HEX BOLT, 3/4"-10 X 7 1/2", GR 5, Y/D
5	SN3087		FLAT TRASH BAR MOUNT
6	SN1122		HEX BOLT, 3/4"-10 X 2 1/2", GR 5, Y/D
7	SN3096		TRUNNION BEARING MOUNT
8	SN2812-1		20" COULTER BLADE, 1 3/4" BORE 6 GA
	SN3273		19.940" COULTER, 1 3/4" BORE 4 GA
9	SN2723B		SPRING END COLLAR, 1 3/4" BORE
10	SN2037		FLAT WASHER, 1 13/16" ID X 2 13/16" OD X 1/4" THICK, Y/D
11	SN2866		SHAFT, 51 1/4", 1 3/4" DIA
	SN3942		SHAFT, 51 3/4", 1 3/4" DIA
	SN1990		SHAFT, 66 1/2", 1 3/4" DIA
	SN1990-1		SHAFT, 67", 1 3/4" DIA
	SN3067		SHAFT, 81", 1 3/4" DIA
	SN1997		SHAFT, 81 1/2", 1 3/4" DIA
	SN2999		SHAFT, 96, 1 3/4" DIA
	SN2007		SHAFT, 97", 1 3/4" DIA
	SN2866		SHAFT, 51 1/4", 1 3/4" DIA
	SN3945		SHAFT, 59 1/2", 1 3/4" DIA
	SN3942		SHAFT, 51 3/4", 1 3/4" DIA
	SN3944		SHAFT, 58 3/4", 1 3/4" DIA
12	SN3100		SPOOL, BEARING, 4211
13	SN3095		FLAT WASHER, 1 1/2" ID X 2 1/4" OD, 10 GA, Y/D
14	SN2761		SHANK, 1" C-FLEX
15	SN2763		CLAMP PLATE W/CORNER NIP
16	SN3484		C-FLEX MOUNTING PLATE
17	SN918		HEX BOLT, 3/4"-10 X 8", GR 5, Y/D
18	SN2814		SPOOL, FULL, 4210-4230
19	SN108		COTTER PIN, 5/16" X 2 1/2", Y/D
20	SN2036		HEX NUT, 1 3/4"-5 SLOTTED
21	SN3090		TRUNNION BEARING COMPLETE

I0006354
PR: t05g29115b0008

TRUNNION BEARING ASSEMBLY



06216

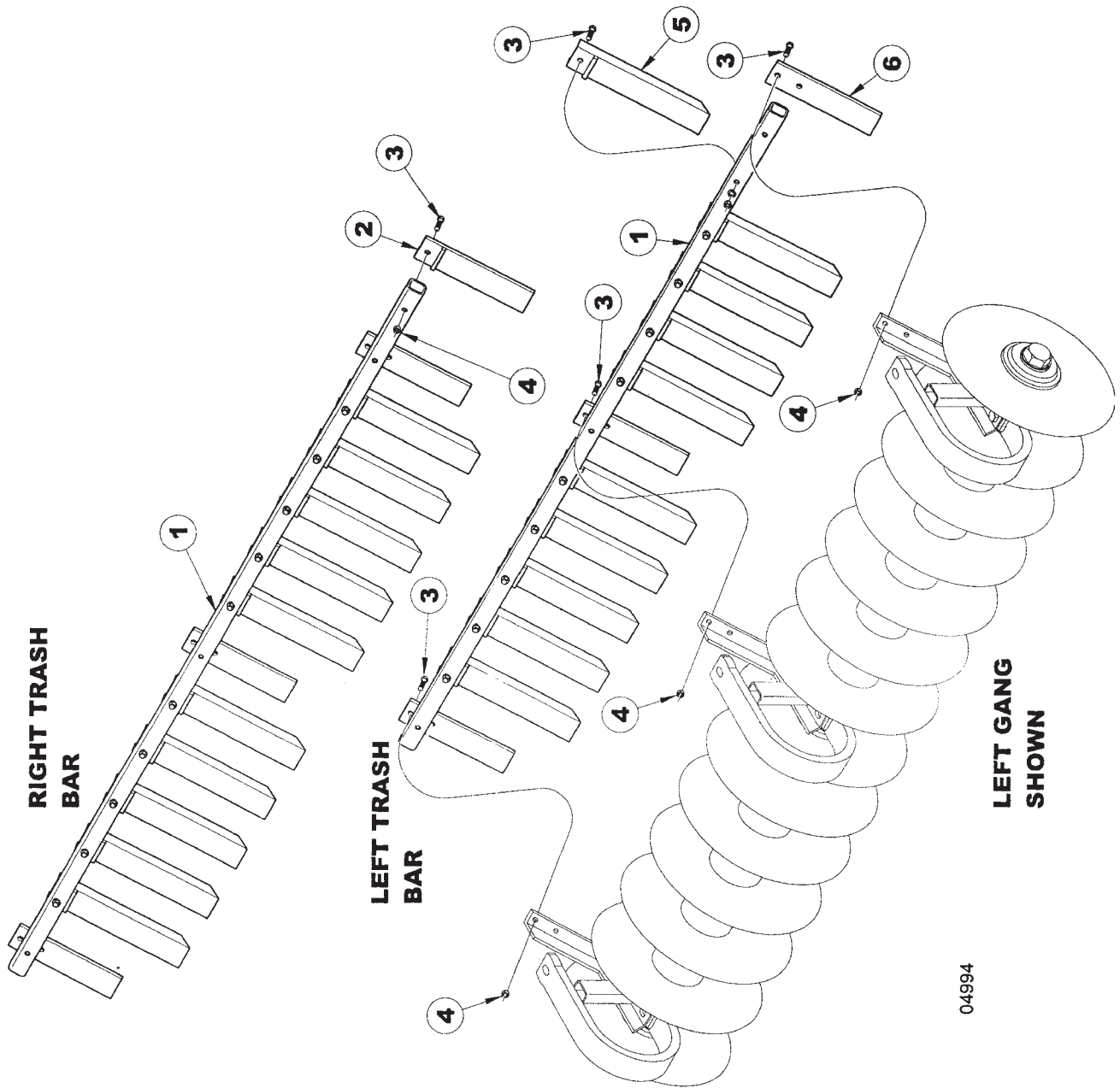
Note: The trunnion bearing housing is not available separately.

TRUNNION BEARING ASSEMBLY

ITEM	NUMBER	QTY	DESCRIPTION
1	SN3091		SUNFLOWER HOUSING, BCA BEARING
2	SN4924		TRUNNION BEARING REPLACEMENT
3	SN3094		TRUNNION BEARING SHIELD (BCA)
4	SN2098-1		TRUNNION BEARING RETAINER
			GREASE ZERK, 1/8" NPTF, 5/8" L
			TRUNNION BEARING SHIELD SPECIFICATIONS
	SN4924		2.8375" I.D. X 3.929" O.D. X .100" THICK
	SN3094		TRUNNION BEARING RETAINER THICKNESS .109" THICK

I0006216
PR: t05g29115b0009

TRASH BAR ASSEMBLY



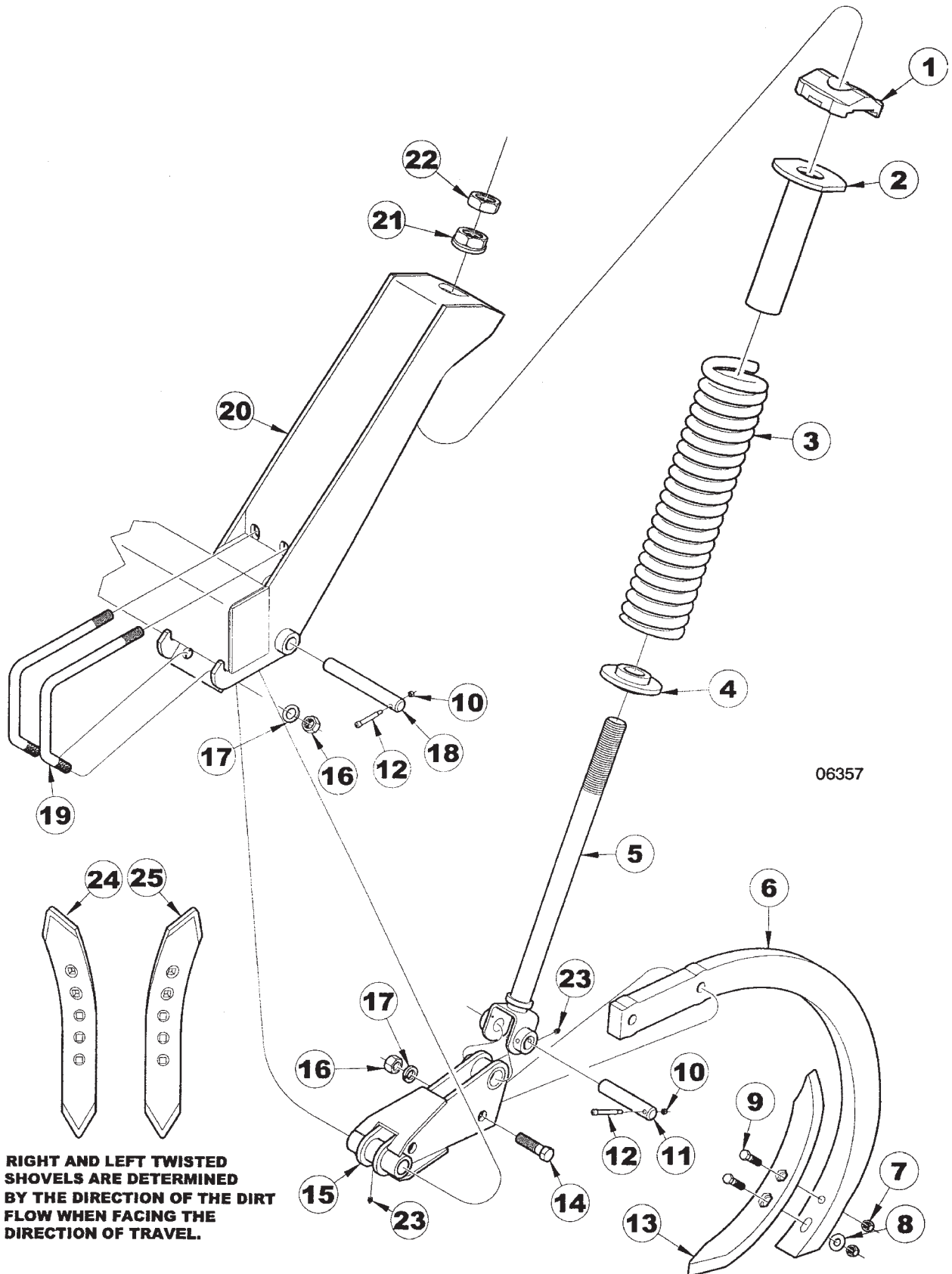
04994

TRASH BAR ASSEMBLY

ITEM	NUMBER	QTY	DESCRIPTION
1	SN2843		TRASH BAR, 58 1/2"
	SN2844		TRASH BAR, 66"
	SN2840		TRASH BAR, 73 1/2"
	SN3474		TRASH BAR, 81"
	SN3476		TRASH BAR, 96"
	SN5379		TRASH BAR, 103 1/2" L
2	SN3678		FLAT TRASH ARM, 13" LONG (BETWEEN GANGS ONLY)
	SN1507		HEX BOLT, 1/2"-13 X 3 1/2", GR 5, Y/D
4	SN2096		LOCK NUT, 1/2"-13 HEX NYLON INSERT
5	SN3088		TRASH ARM
6	SN3958		FLAT TRASH ARM (BEARING STANDARDS ONLY)

I0004994
PR: t05g29115b0010

AUTO RESET SHANK (VERSION 1, SERIAL
04212L20040110 & EARLIER)



06357

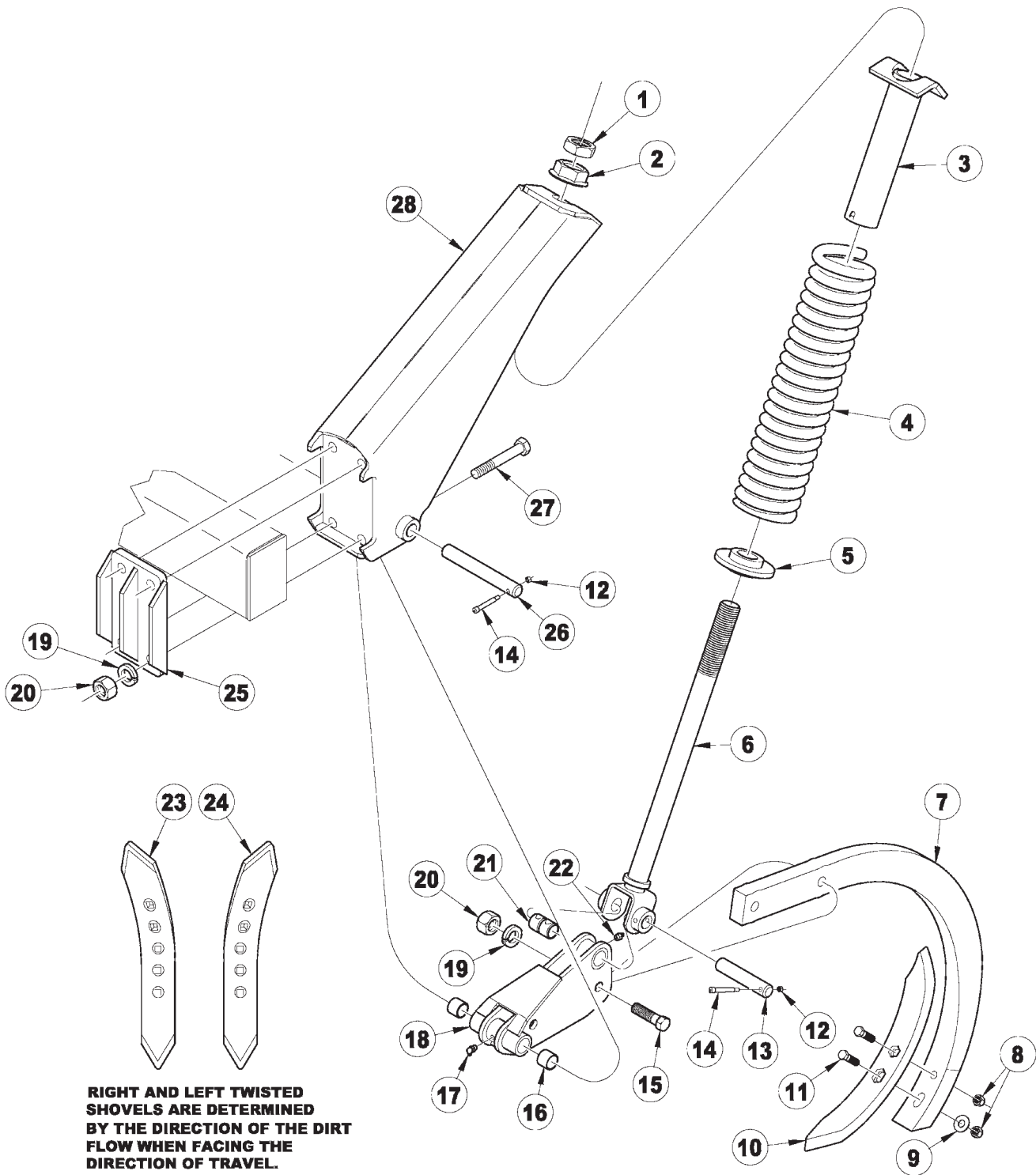
RIGHT AND LEFT TWISTED SHOVELS ARE DETERMINED BY THE DIRECTION OF THE DIRT FLOW WHEN FACING THE DIRECTION OF TRAVEL.

AUTO RESET SHANK (VERSION 1, SERIAL
04212L20040110 & EARLIER)

ITEM	NUMBER	QTY	DESCRIPTION
1	SN5422		PIVOT PLATE, AUTO RESET SHANK
2	SN5424		SPRING TUBE
3	SN5419		SPRING, 4.375" OD X 2.625" ID X 17.59" L COMPRESSION
4	SN5426		SPRING WASHER
5	SN9370		SPRING ROD
6	SN5418		SHANK, 1 1/4" X 2 1/2" X 30"
	SN5421		SHANK ASSY, AUTO RESET (1-8, 10-12, 14-23)
7	SN2096		LOCK NUT, 1/2"-13 HEX NYLON INSERT
8	SN486		FLAT WASHER, 1/2", Y/D
9	SN156		HEX BOLT, 1/2"-13 X 3", GR 5 Y/D
	SN2949		PLOW BOLT, 1/2"-13 X 3", GR 5, Y/D
10	SN3881		LOCK NUT, 1/4"-20 HEX NYLON INSERT, GR 2, Y/D
11	SN3162		PIN, 1" X 4" (3 15/32"), Y/D
12	SN3880		SHOULDER BOLT, 5/16" X 1 3/4", GR 8 EQUIV
13	SN1053-1		POINT, 7/8" X 2" X 19 1/2" EXTRA HEAVY
14	SN9493		HEX BOLT, 3/4"-10 X 3", 1" THD GR 5, Y/D
15	SN9969		SHANK HOLDER
16	SN106		HEX NUT, 3/4"-10 FULL, GR 5, Y/D
17	SN1040		LOCK WASHER, 3/4" SPLIT TYPE MED, Y/D
18	SN3163		PIN, 1" X 7 1/2" (6 27/32"), Y/D
19	SN5428		L-BOLT, 3/4"-10 X 9, Y/D
20	SN5429		SHANK MOUNT
21	SN5425		HEX FLANGE NUT, 1 1/2"-6 UNC Y/D
22	SN2079		JAM NUT, 1 1/2"-6 HEX, GR 2, Y/D
23	SN2098-1		GREASE ZERK, 1/8" NPTF, 5/8" L
24	SN1725		SHOVEL, 1/2" X 3" RIGHT TWISTED
	SN4803		SHOVEL, 1/2" X 4" RIGHT TWISTED SLASH POINT
25	SN1726		SHOVEL, 1/2" X 3" LEFT TWISTED
	SN4804		SHOVEL, 1/2" X 4" LEFT TWISTED SLASH POINT

I0006357
PR: t05g29l15b0011

**AUTO RESET SHANK (VERSION 2, SERIAL
04212L20040111 & LATER)**

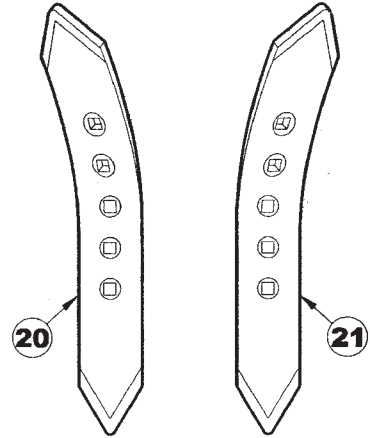
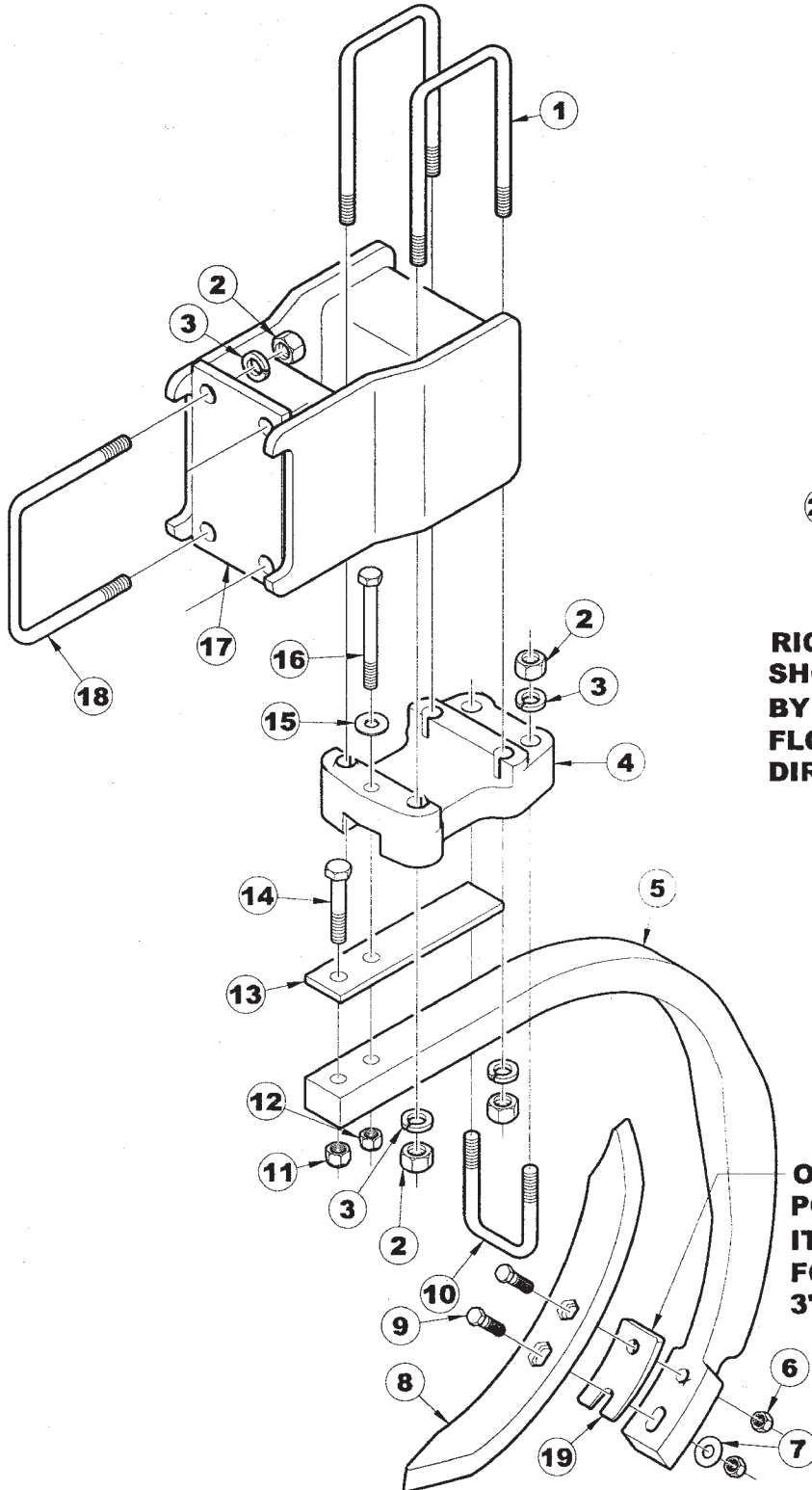


**RIGHT AND LEFT TWISTED
SHOVELS ARE DETERMINED
BY THE DIRECTION OF THE DIRT
FLOW WHEN FACING THE
DIRECTION OF TRAVEL.**

ITEM	NUMBER	QTY	DESCRIPTION
1	SN1880		JAM NUT, 1 1/2"-6 HEX W/SET SCREW, GR 2, Y/D
2	SN12655		HEX FLANGE NUT, 1 1/2"-6 UNC Y/D
3	SN12572		TUBE, SPRING
4	SN5419		SPRING, 4.375" OD X 2.625" ID X 17.59" L COMPRESSION
5	SN5426		SPRING WASHER
6	SN9370		SPRING ROD
7	SN12473B		SHANK, 1 1/4" X 2 1/2" X 30", 50 DEG
8	SN2096		LOCK NUT, 1/2"-13 HEX NYLON INSERT, GR 8, Y/D
9	SN486		FLAT WASHER, 1/2", Y/D
10	SN4810		POINT, 1" X 2" X 18", REV, HEAVY DUTY
11	SN156		HEX BOLT, 1/2"-13 X 3", GR 5 Y/D
	SN2949		PLOW BOLT, 1/2"-13 X 3", GR 5, Y/D
12	SN3881		LOCK NUT, 1/4"-20 HEX NYLON INSERT, GR 2, Y/D
13	SN5544		PIN, 1" X 4 1/4" (3 23/32"), Y/D
14	SN3880		SHOULDER BOLT, 5/16" X 1 3/4", GR 8
15	SN9493		HEX BOLT, 3/4"-10 X 3", 1" THD GR 5, Y/D
16	SN1946		WEAR BUSHING, 1" ID X 1 1/4" OD
17	SN2098-4		GREASE ZERK, 1/8" NPTF, 90 DEG
18	SN12571R		HOLDER, SHANK (ITEMS 16, 17, 21, & 22)
19	SN1040		LOCK WASHER, 3/4" SPLIT TYPE MED, Y/D
20	SN106		HEX NUT, 3/4"-10 FULL, GR 5, Y/D
21	SN12565P		BUSHING, SPRING 1 1/4" OD X 1" ID, 2" L
22	SN2098-1		GREASE ZERK, 1/8" NPTF, 5/8" L
23	SN1725		SHOVEL, 1/2" X 3" RIGHT TWISTED
	SN4803		SHOVEL, 1/2" X 4" RIGHT TWISTED SLASH POINT
24	SN1726		SHOVEL, 1/2" X 3" LEFT TWISTED
	SN4804		SHOVEL, 1/2" X 4" LEFT TWISTED SLASH POINT
25	SN12569		PLATE, SHANK MOUNT
26	SN3163		PIN, 1" X 7 1/2" (6 27/32"), Y/D
27	SN1791		HEX BOLT, 3/4"-10 X 6 1/2", GR 5, Y/D
28	SN12570		MOUNT, SHANK
	SN12574		SHANK ASSY, AUTO RESET (ITEMS 1-7, 12-15, 18-20, 25-28)

I0007587
PR: t05g29115b0012

RIGID SHANK ASSEMBLY



RIGHT AND LEFT TWISTED SHOVELS ARE DETERMINED BY THE DIRECTION OF THE DIRT FLOW WHEN FACING THE DIRECTION OF TRAVEL.

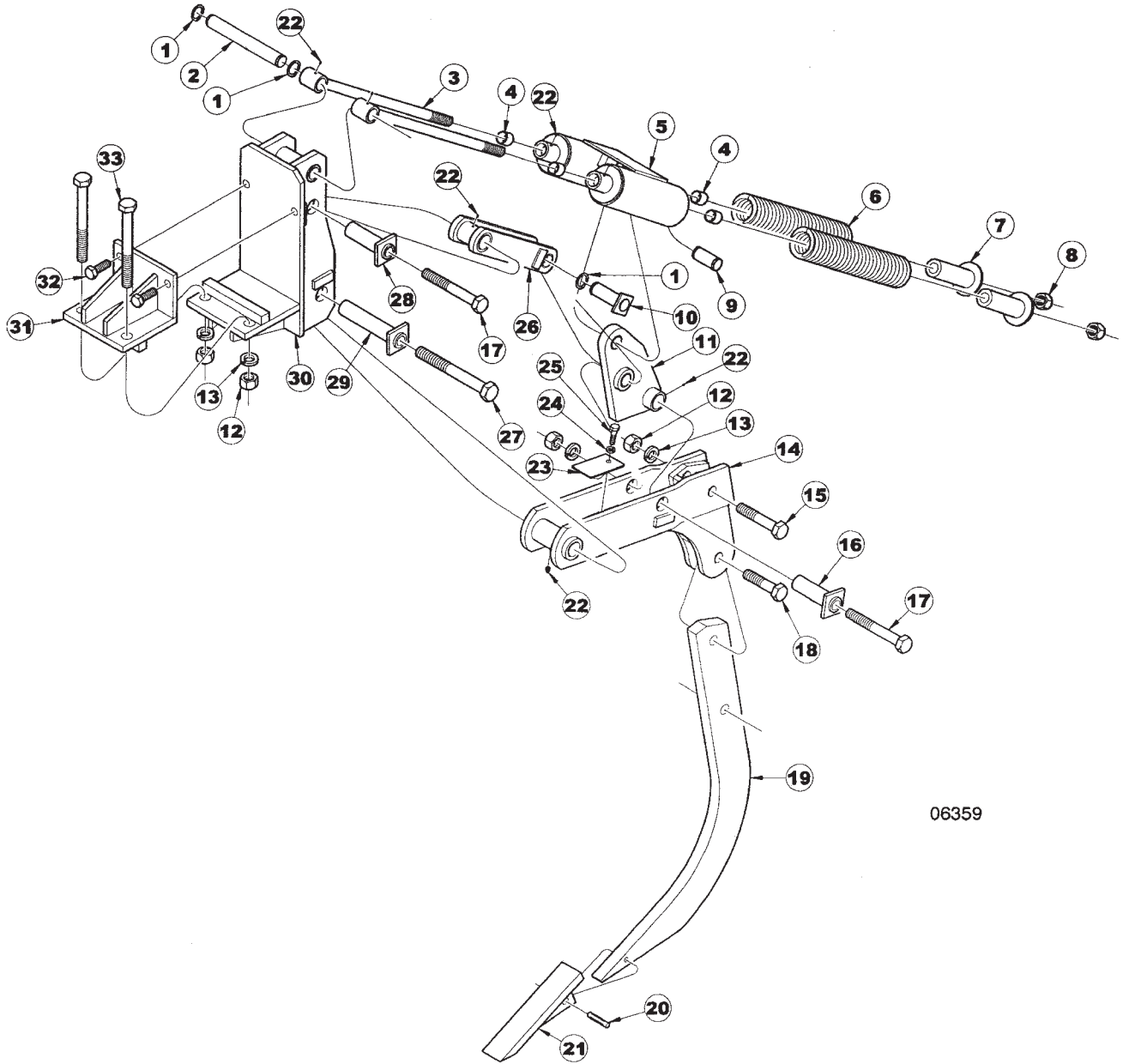
OPTIONAL WEDGE FOR POINTS OR SWEEPS, IT IS NOT RECOMMENDED FOR USE WITH 3" OR 4" TWISTED SHOVELS

RIGID SHANK ASSEMBLY

ITEM	NUMBER	QTY	DESCRIPTION
1	SN3755		U-BOLT, 3/4"-10 X 8 3/4" X 4 13/16" W, GR 5, Y/D
2	SN106		HEX NUT, 3/4"-10 FULL, GR 5, Y/D
3	SN1040		LOCK WASHER, 3/4" SPLIT TYPE MED, Y/D
4	SN3751		SHANK CLAMP CASTING-RED
5	SN5676		SHANK, 30" EDGE BENT
6	SN2096		LOCK NUT, 1/2"-13 HEX NYLON INSERT
7	SN486		FLAT WASHER, 1/2", Y/D
8	SN1053-1		POINT, 7/8" X 2" X 19 1/2" EXTRA HEAVY
9	SN156		HEX BOLT, 1/2"-13 X 3", GR 5 Y/D
	SN2949		PLOW BOLT, 1/2"-13 X 3", GR 5, Y/D
10	SN3754		U-BOLT, 3/4"-10 X 4 1/4" X 3 3/8" W, GR 5, Y/D
11	SN669-1		LOCK NUT, 5/8" HEX NYLON
12	SN3757		LOCK NUT, 9/16"-12 HEX NYLON INSERT, GR 8, PLATED
13	SN3753B		SHANK STOP
14	SN3758		HEX BOLT, 5/8"-11 X 3", GR 5, Y/D
15	SN3759		FLAT WASHER, 9/16", Y/D
16	SN3756		HEX BOLT, 9/16"-12 X 4 1/2", GR 5, Y/D
17	SN7309		SHANK MOUNT, OFFSET
	SN5945		SHANK MOUNT ASSEMBLY, OFFSET
18	SN3763		U-BOLT, 3/4"-10 X 5 3/4" X 6 3/4" W, GR 5, Y/D
19	SN9265		ADAPTOR WEDGE
20	SN1725		SHOVEL, 1/2" X 3" RIGHT
	SN4803		SHOVEL, 1/2" X 4" RIGHT
21	SN1726		SHOVEL, 1/2" X 3" LEFT TWISTED
	SN4804		SHOVEL, 1/2" X 4" LEFT TWISTED SLASH POINT

I0006356
PR: t05g29115b0013

DEEP TILL SHANK ASSEMBLY



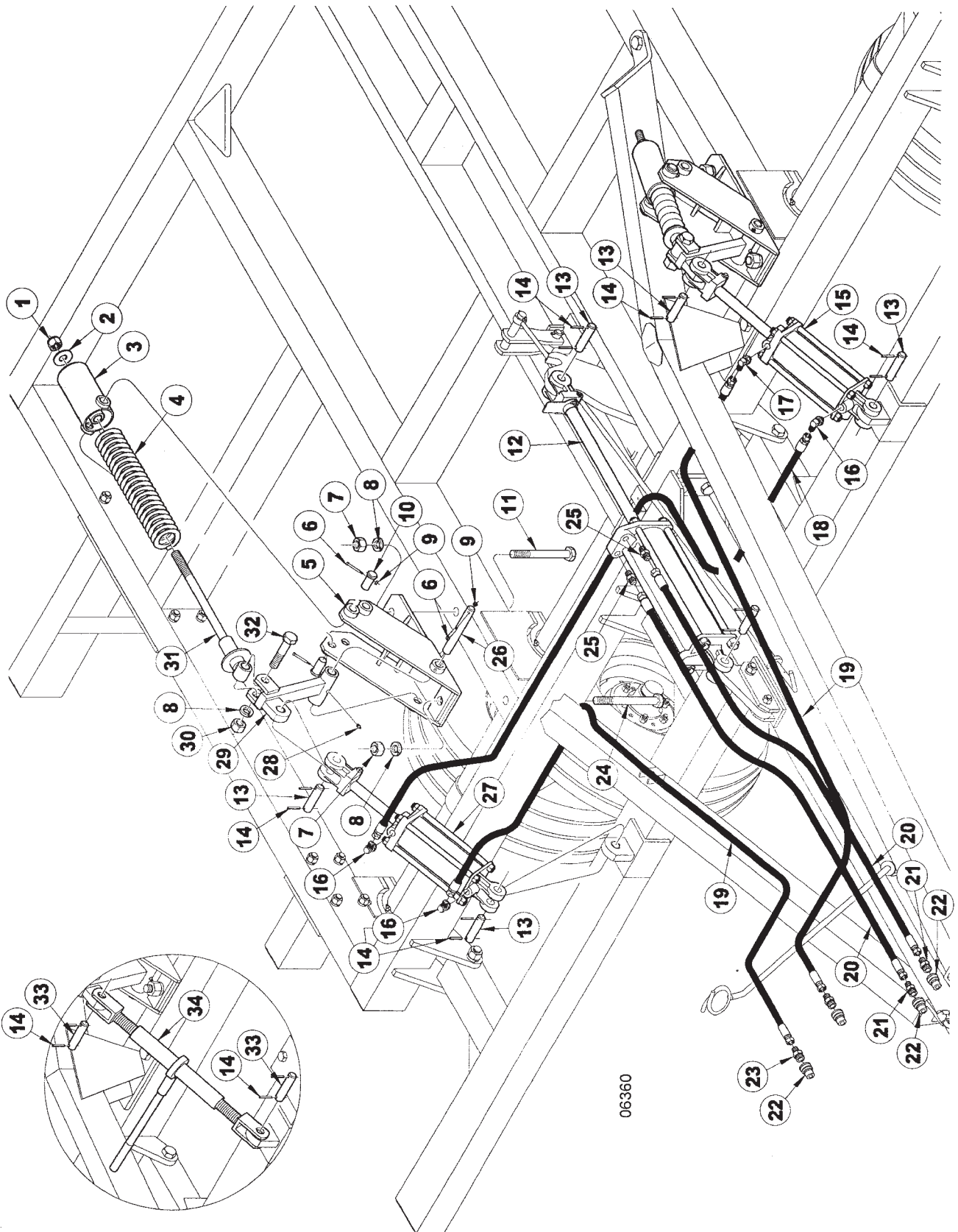
06359

DEEP TILL SHANK ASSEMBLY

ITEM	NUMBER	QTY	DESCRIPTION
1	SN5080		SNAP RING, 1 1/4", Y/D
2	SN5063		PIN, 1 1/4" X 9 3/4" (9 1/8"), Y/D
3	SN5066		SPRING ROD
4	SN1946		WEAR BUSHING, 1"ID X 1 1/4"OD
5	SN5068		SPRING BARREL
6	SN3159		SPRING, 3.25" OD X 1.87" ID X 17.03"L COMPRESSION, 11/16"DIA
7	SN5067		SPRING END
8	SN3938		LOCK NUT, 1"-8 HEX NYLON
9	SN5062		PIN, 1 1/4" X 2 15/16" (2 5/16") Y/D
10	SN5636		PIN, 1 1/4" X 4 1/16" (3 3/8") SQUARE HEADED, Y/D
11	SN5635		LOWER TRIP LINK
12	SN110		HEX NUT, 1"-8 FULL, GR 5, Y/D
13	SN1283		LOCK WASHER, 1" SPLIT TYPE MED, Y/D
14	SN5659		SHANK HOLDER, AUTO RESET
15	SNFK150013		HEX BOLT, 1"-8 X 5" GR 5, Y/D
16	SN5660		BUSHING, 1.500"OD X 1.032"ID, 5 1/4" L, SQ HEAD
17	SN109		HEX BOLT, 1"-8 X 7", GR 5, Y/D
18	SN1753		HEX BOLT, 1"-8 X 4" GR5, Y/D
19	SN5015		SHANK, 1 1/4" X 4" X 36"
	SN5646		SHANK ASSY, DEEP TILL/AUTO RESET, 4200
20	SN5089		PIN, 1/2" X 2 1/2" POINT
21	SN5273		POINT, 1" X 2 1/2" X 12"
	SN5274		POINT, 1" X 2 1/2" X 12"
	SN5289		POINT, 1" X 2 1/2" X 12" W/ CHROME CAP W/PIN
22	SN2098-6		GREASE ZERK, 1/4"-28, 17/32" L, STRAIGHT W/TAPER THREADS
23	SN5286		SHIM, SHANK HOLDER
24	SN113		LOCK WASHER, 1/2" SPLIT TYPE MED, Y/D
25	SNHCS12131		HEX BOLT, 1/2"-13 X 1" GR 5, Y/D
26	SN5637		UPPER TRIP LINK
27	SN1357		HEX BOLT, 1 1/8"-7 X 9" GR 5, Y/D
28	SN5660		BUSHING, 1.500"OD X 1.032"ID, 5 1/4" L, SQ HEAD
29	SN5661		BUSHING, 1.500"OD X 1.156"ID, 7 3/4" L, SQ HEAD
30	SN5645		SHANK MOUNT, AUTO RESET
31	SN5507		TOP MOUNTING PLATE
32	SN1220		HEX BOLT, 3/4"-10 X 2", GR 5 Y/D
33	SN5081		HEX BOLT, 1"-8 X 9", GR 5, Y/D

I0006359
PR: t05g29115b0014

HYDRAULICS ASSEMBLY



06360

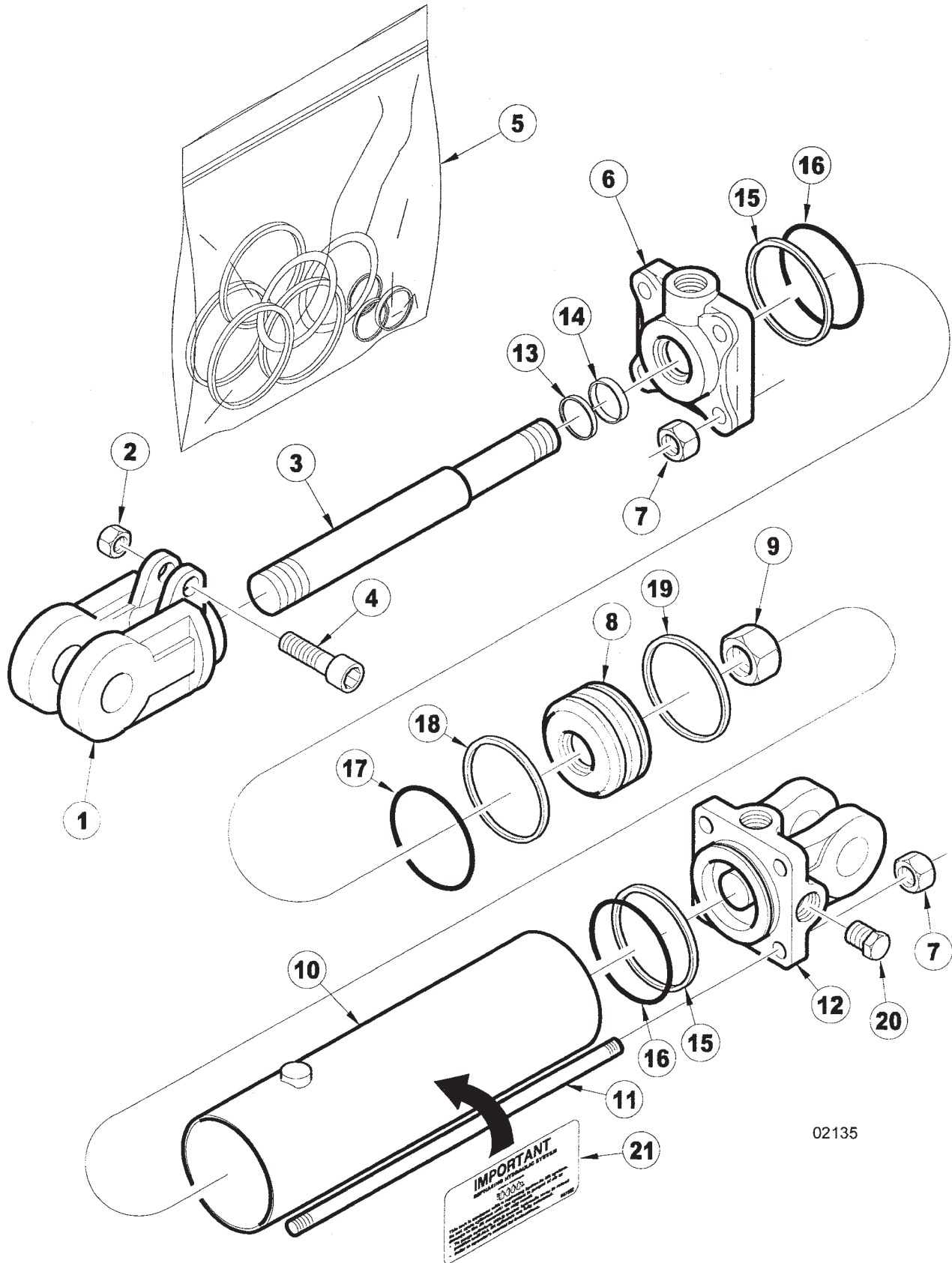
ITEM	NUMBER	QTY	DESCRIPTION
1	SN3938		LOCK NUT, 1"-8 HEX NYLON
2	SN245		FLAT WASHER, 1" WIDE RIM, Y/D
3	SN3158		SPRING BARREL
4	SN5388		SPRING, 1 7/8" ID X 17" L, 9/16" DIA
5	SN3478		COULTER CYLINDER MOUNT, SPRING
6	SN3880		SHOULDER BOLT, 5/16 X 1 3/4, GR8 EQUIV
7	SN110		HEX NUT, 1"-8 FULL, GR 5, Y/D
8	SN1283		LOCK WASHER, 1" SPLIT TYPE MED, Y/D
9	SN3881		LOCK NUT, 1/4-20 NYL INSERT, GR2, Y/D
10	SN3161		PIN, 1" X 2 1/4" (1 9/16"), Y/D
11	SN3485		HEX BOLT, 1"-8 X 8", GR 5, Y/D
12	SN4441		CYLINDER, 4" X 16" W/STR CON ORB CROSS (*VERSION 1, PRIOR TO 9/16/03)
	SN12048		CYLINDER, 4" X 16" W/STR CON ORB 3000 PSI(*VERSION 2, 9/16/03 & LATER)
13	SN5339		PIN, 1" X 4 1/16" (3"), Y/D
14	SN3164		ROLL PIN, 5/16 X 2 SPIRAL MED DUTY, Y/D
15	SN4438		CYLINDER, 3 3/4" X 8" SLAVE ORB CROSS (*VERSION 1, PRIOR TO 6/27/03)
	SN12059		CYLINDER, 3 3/4" X 8" SLAVE CROSS, 3000 PSI (*VERSION 2, 6/27/03 & LATER)
16	SN4454		90 DEG STR THREAD ELBOW, 3/4"-16
17	SN4455		90 DEG STR THD ELBOW, 3/4"-16 MF X 3/4"-16 MOR W/1/16" REST
18	SN4116002		HOSE, 3/8" X 116" L, FEMALE ENDS
	SN4090002		HOSE, 3/8" X 90" L, FEMALE ENDS
19	SN4168002		HOSE, 3/8" X 168" L, FEMALE ENDS
20	SN4150005		HOSE, 1/2" X 150" L, FEMALE ENDS
21	SN2426		MALE CONNECTOR, 7/8"-14 MF X 1/2-14 MPT
22	SN3253		HYDRAULIC COUPLER, MALE HALF
23	SN2425		MALE CONNECTOR, 3/4"-16 MF X 1/2-14 MPT
24	SN2316		HEX BOLT, 1"-8 X 8 1/2", GR 5, Y/D
25	SN4464		STRAIGHT THD.CONNECTOR, 7/8"-14
26	SN3163		PIN, 1" X 7 1/2" (6 27/32"), Y/D
27	SN4437		CYLINDER, 4" X 8" MASTER W/O STR CON (*VERSION 1, PRIOR TO 8/12/03)
	SN12047		CYLINDER, 4X8 MASTER W/O STR CON CROSS, 3000 (*VERSION 2, 8/12/03 & LATER)
28	SN2098-1		GREASE ZERK, 1/8" NPTF, 5/8" L
29	SN3479		CYLINDER MOUNT PIVOT, 4211
30	SN1849		JAM NUT, 1"-8 HEX, GR 2, Y/D
31	SN3160		SPRING ADJUSTING BOLT
32	SN1753		HEX BOLT, 1"-8 X 4" GR5, Y/D
33	SN5385		PIN, 1" X 3" (2 1/16"), Y/D
34	SN2893		RATCHET JACK

*WHEN ORDERING HYDRAULIC CYLINDER COMPONENTS, BE SURE TO NOTE THE PART NUMBER AND THE CYLINDER PSI. (LOCATED ON THE CYLINDER DECAL) AS THEY CONTAIN DIFFERENT COMPONENTS. OLDER CYLINDERS WERE 2500 PSI. AND THE NEWER CYLINDERS ARE 3000 PSI. IDENTIFYING THE PART # OF THE CYLINDER IS EXTREMELY IMPORTANT WHEN ORDERING PARTS TO ENSURE PROPER OPERATION OF THE HYDRAULIC CYLINDER.

THESE PARTS ARE IMPORTANT TO THE SAFETY OF THIS EQUIPMENT AND THOSE WHO OPERATE IT. USE ONLY EXACT REPLACEMENT PARTS TO PREVENT HYDRAULIC FAILURE.

I0006360
PR: t05g29115b0015

3 3/4" X 8" SLAVE CYLINDER 4438
(VERSION 1, PRIOR TO 6/27/03)



**4212 PARTS MANUAL
SERVICE PARTS**

37

**3 3/4" X 8" SLAVE CYLINDER 4438
(VERSION 1, PRIOR TO 6/27/03)**

ITEM	NUMBER	QTY	DESCRIPTION
1	SN8610-1		CLEVIS, 1 1/4" THREADS, 1" PIN W/BUSHING, CROSS
2	SN8671-1		CAPSCREW NUT, 5/16" THREADS CROSS
3	SN8898-1		ROD, 1 3/8" DIA, 8" REPHASING, CROSS
4	SN8631-1		CAPSCREW, CROSS
5	SN8779-1		SEAL KIT, 4", 1 3/4" ROD,
6	SN8736-10		HEAD, 3 3/4", 1 3/8" ROD
7	SN8864-1		TIE ROD NUT, 5/8" THREADS
8	SN8717-1		PISTON, 3 3/4" W/1" HOLE
9	SN8683-1		PISTON NUT, 1" CROSS
10	SN8827-1		TUBE, 3 3/4" X 8" REPHASING CROSS E
11	SN8851-1		TIE ROD BOLT, 8" CROSS
12	SN8698-10		BASE, 3 3/4" (ORB)1" PIN REPHASING CROSS
13			* WIPER
14			* U-CUP
15			* BACKUP
16			* O-RING
17			* O-RING
18			* TEFLON RING
19			* WEAR RING
20	SN4458		PLUG, 3/4"-16 MOR
21	SN997052		SYSTEMS MUST BE BLED OF AIR

* ITEMS ARE AVAILABLE IN THE SEAL KIT ONLY

WHEN ORDERING HYDRAULIC CYLINDER COMPONENTS, BE SURE TO NOTE THE PART NUMBER AND THE CYLINDER PSI. (LOCATED ON THE CYLINDER DECAL) AS THEY CONTAIN DIFFERENT COMPONENTS. OLDER CYLINDERS WERE 2500 PSI. AND THE NEWER CYLINDERS ARE 3000 PSI IDENTIFYING THE PART NUMBER OF THE CYLINDER IS EXTREMELY IMPORTANT WHEN ORDERING PARTS TO ENSURE PROPER OPERATION OF THE HYDRAULIC CYLINDER.

I0002135
PR: t05g29115b0016

**4212 PARTS MANUAL
SERVICE PARTS**

39

**3 3/4" X 8" SLAVE CYLINDER 12059R
(VERSION 2, 6/27/03 & LATER)**

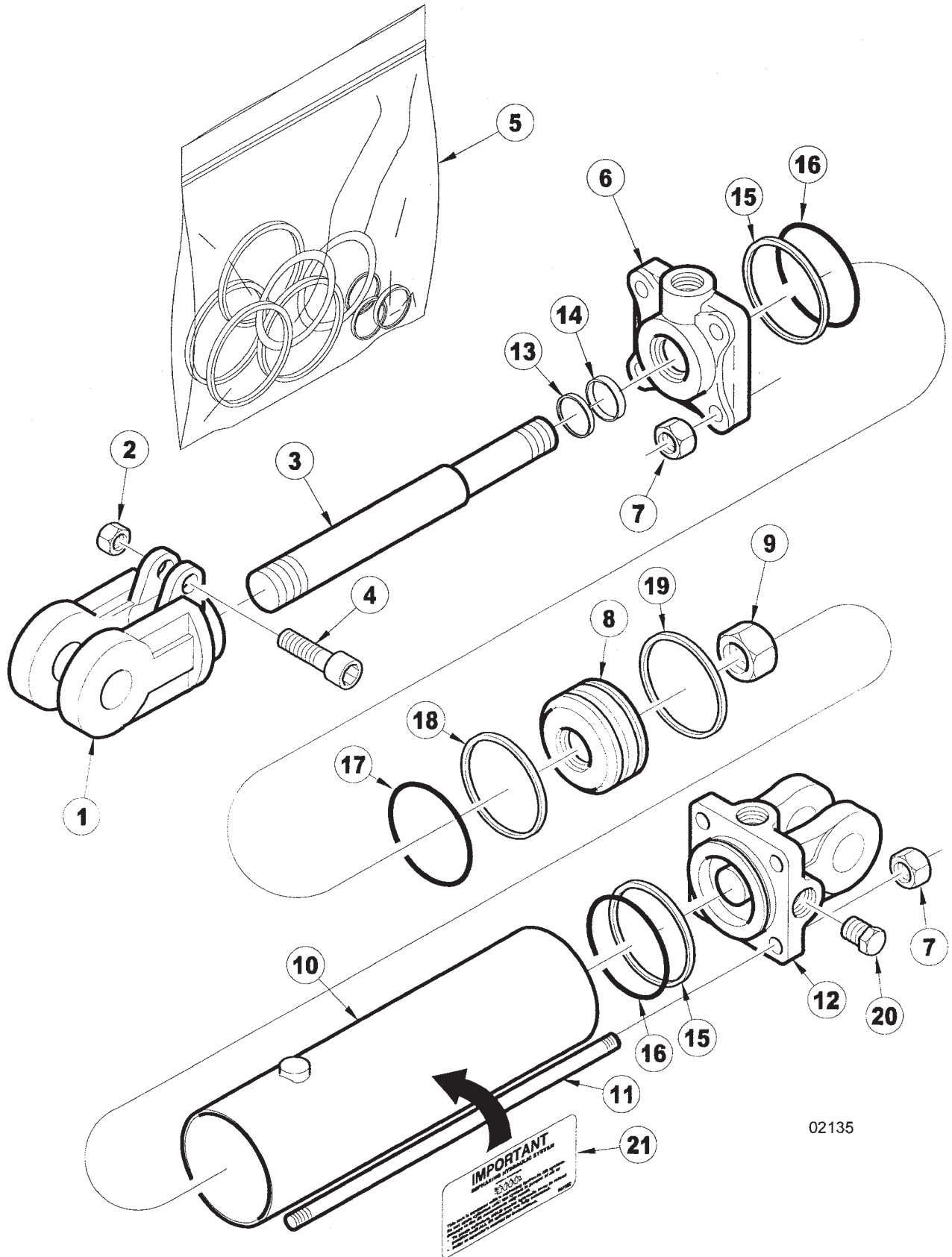
ITEM	NUMBER	QTY	DESCRIPTION
1	SN8610-1		CLEVIS, 1 1/4" THREADS, 1" PIN W/BUSHING , CROSS
2	SN8671-1		CAPSCREW NUT, 5/16" THREADS CROSS
3	SN12055		ROD, 1 3/8" DIA, 8" REPHASING, CROSS
4	SN8631-1		CAPSCREW, CROSS
5	SN8776-1		SEAL KIT, 3 3/4", 1 3/8" ROD, REPHASING CROSS
6	SN8736-10		HEAD, 3 3/4", 1 3/8" ROD
7	SN8864-1		TIE ROD NUT, 5/8" THREADS
8	SN8655-1		PISTON, 3 3/4" W/1" HOLE REPHASING, CROSS
9	SN8683-1		PISTON NUT, 1" CROSS
10	SN8827-1		TUBE, 3 3/4" X 8" REPHASING CROSS E
11	SN12033		TIE ROD BOLT, 8" CROSS
12	SN8656-10		BASE, 3 3/4" (ORB), 1" PIN REPHASING, CROSS
13			* WIPER
14			* U-CUP
15			* BACKUP
16			* O-RING
17			* O-RING
18			* TEFLON RING
19			* WEAR RING
20	SN4458		PLUG, 3/4"-16 MOR
21	SN997052		SYSTEMS MUST BE BLED OF AIR

* ITEMS ARE AVAILABLE IN THE SEAL KIT
ONLY

WHEN ORDERING HYDRAULIC CYLINDER
COMPONENTS, BE SURE TO NOTE THE PART
NUMBER AND THE CYLINDER PSI. (LOCATED
ON THE CYLINDER DECAL) AS THEY CONTAIN
DIFFERENT COMPONENTS. OLDER CYLINDERS
WERE 2500 PSI. AND THE NEWER CYLINDERS
ARE 3000 PSI IDENTIFYING THE PART NUMBER
OF THE CYLINDER IS EXTREMELY IMPORTANT
WHEN ORDERING PARTS TO ENSURE PROPER
OPERATION OF THE HYDRAULIC CYLINDER.

I0002135
PR: t05g29i15b0017

4" X 8" MASTER CYLINDER 4437
(VERSION 1, PRIOR TO 8/12/03)



**4212 PARTS MANUAL
SERVICE PARTS**

41

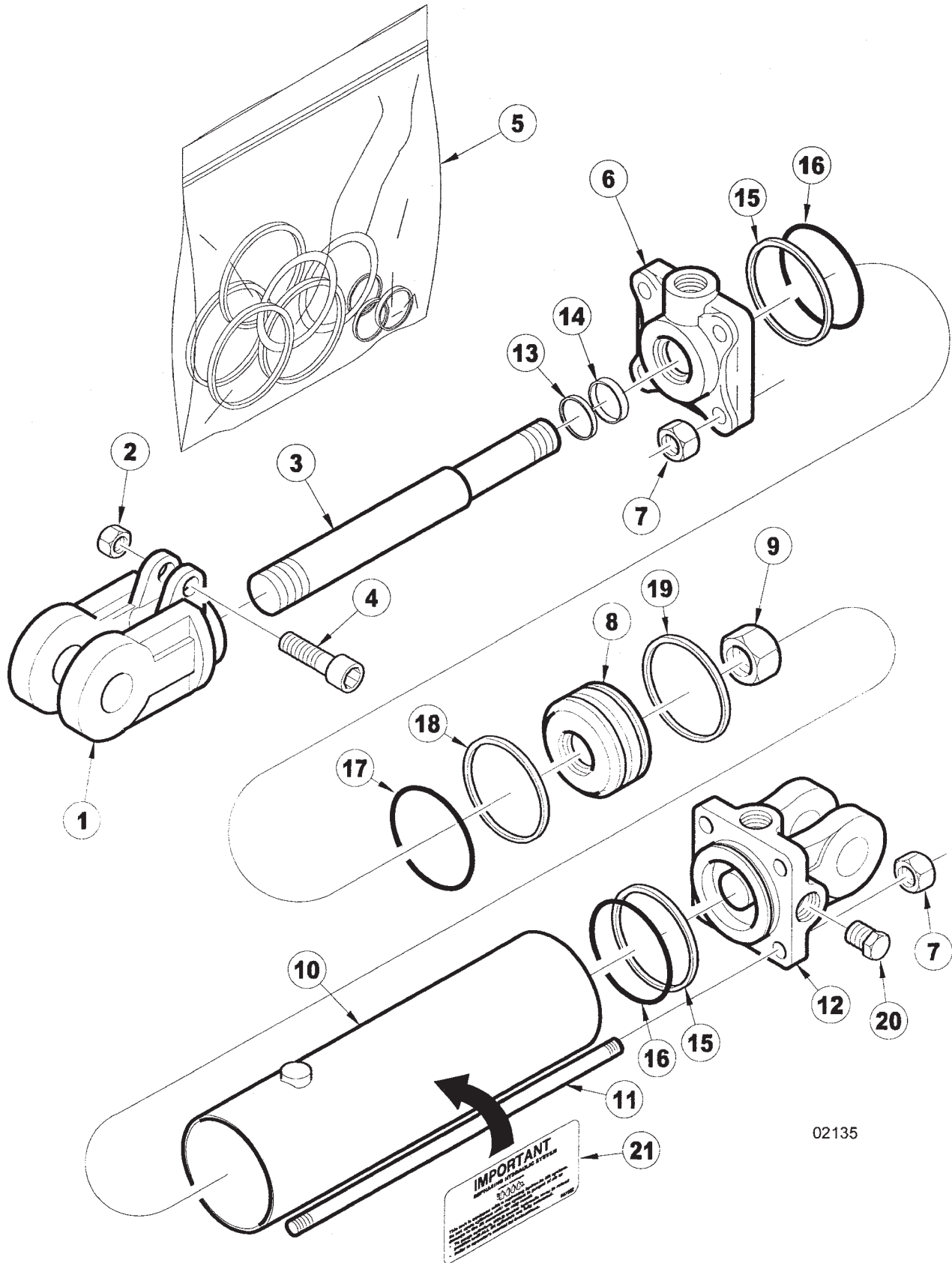
**4" X 8" MASTER CYLINDER 4437
(VERSION 1, PRIOR TO 8/12/03)**

ITEM	NUMBER	QTY	DESCRIPTION
1	SN8610-1		CLEVIS, 1 1/4" THREADS, 1" PIN W/BUSHING , CROSS
2	SN8671-1		CAPSCREW NUT, 5/16" THREADS CROSS
3	SN8898-1		ROD, 1 3/8" DIA, 8" REPHASING, CROSS
4	SN8631-1		CAPSCREW, CROSS
5	SN8781-1		SEAL KIT, 4", 1 3/8" ROD
6	SN8739-10		HEAD, 4" 1 3/8" ROD, REPHASING CROSS
7	SN8864-1		TIE ROD NUT, 5/8" THREADS
8	SN8718-1		PISTON, 4" W/1" HOLE REPHASING CROSS
9	SN8683-1		PISTON NUT, 1" CROSS
10	SN8830-1		TUBE, 4" X 8" REPHASING CROSS
11	SN8851-1		TIE ROD BOLT, 8" CROSS
12	SN8699-10		BASE, 4" REPHASING, CROSS
13			* WIPER
14			* U-CUP
15			* BACKUP
16			* O-RING
17			* O-RING
18			* TEFLON RING
19			* WEAR RING
20	SN4458		PLUG, 3/4"-16 MOR
21	SN997052		SYSTEMS MUST BE BLED OF AIR

* ITEMS ARE AVAILABLE IN THE SEAL KIT WHEN ORDERING HYDRAULIC CYLINDER COMPONENTS, BE SURE TO NOTE THE PART NUMBER AND THE CYLINDER PSI. (LOCATED ON THE CYLINDER DECAL) AS THEY CONTAIN DIFFERENT COMPONENTS. OLDER CYLINDERS WERE 2500 PSI. AND THE NEWER CYLINDERS ARE 3000 PSI IDENTIFYING THE PART NUMBER OF THE CYLINDER IS EXTREMELY IMPORTANT WHEN ORDERING PARTS TO ENSURE PROPER OPERATION OF THE HYDRAULIC CYLINDER.

I0002135
PR: t05g29115b0018

4" X 8" MASTER CYLINDER 12047R
(VERSION 2, 8/12/03 & LATER)



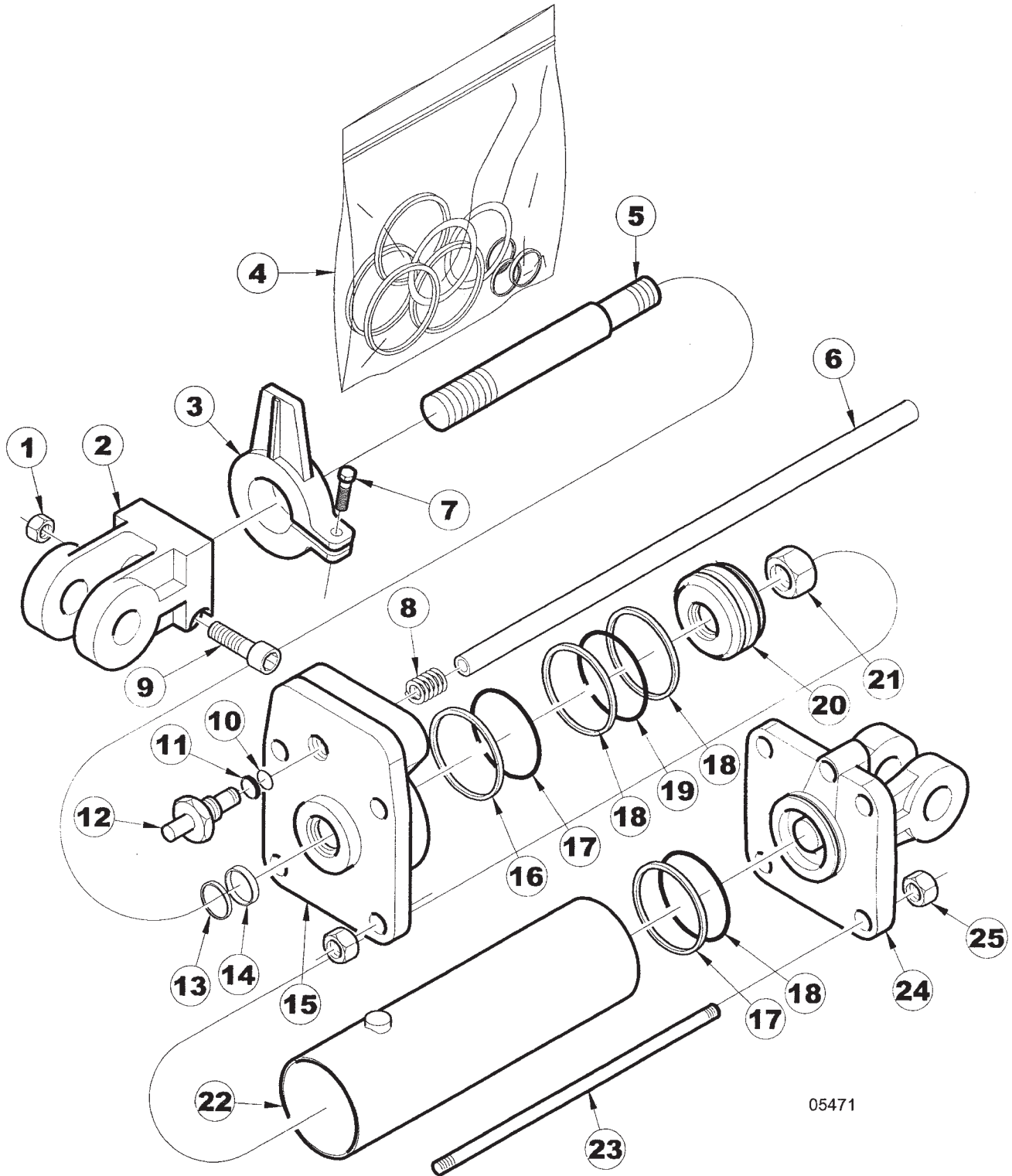
4" X 8" MASTER CYLINDER 12047R
(VERSION 2, 8/12/03 & LATER)

ITEM	NUMBER	QTY	DESCRIPTION
1	SN8610-1		CLEVIS, 1 1/4" THREADS, 1" PIN W/BUSHING CROSS
2	SN8671-1		CAPSCREW NUT, 5/16" THREADS CROSS
3	SN12055		ROD, 1 3/8" DIA, 8" REPHASING, CROSS
4	SN8631-1		CAPSCREW, CROSS
5	SN8781-1		SEAL KIT, 4", 1 3/8" ROD
6	SN8739-10		HEAD, 4" X 1 3/8" ROD, REPHASING CROSS
7	SN8864-1		TIE ROD NUT, 5/8" THREADS
8	SN8653-1		PISTON, 4" W/1" HOLE, REPHASING CROSS
9	SN8683-1		PISTON NUT, 1" CROSS
10	SN8830-1		TUBE, 4" X 8" REPHASING CROSS
11	SN12033		TIE ROD BOLT, 8" CROSS
12	SN8670-10		BASE, 4" (ORB) CROSS
13			* WIPER
14			* U-CUP
15			* BACKUP
16			* O-RING
17			* O-RING
18			* TEFLON RING
19			* WEAR RING
20	SN4458		PLUG, 3/4"-16 MOR
21	SN997052		SYSTEMS MUST BE BLED OF AIR

* ITEMS ARE AVAILABLE IN THE SEAL KIT ONLY.
WHEN ORDERING HYDRAULIC CYLINDER COMPONENTS, BE SURE TO NOTE THE PART NUMBER AND THE CYLINDER PSI. (LOCATED ON THE CYLINDER DECAL) AS THEY CONTAIN DIFFERENT COMPONENTS. OLDER CYLINDERS WERE 2500 PSI. AND THE NEWER CYLINDERS ARE 3000 PSI IDENTIFYING THE PART NUMBER OF THE CYLINDER IS EXTREMELY IMPORTANT WHEN ORDERING PARTS TO ENSURE PROPER OPERATION OF THE HYDRAULIC CYLINDER.

I0002135
PR: t05g29i15b0019

4" X 16" LIFT CYLINDER 4441R
(VERSION 1, PRIOR TO 9/16/03)



05471

**4212 PARTS MANUAL
SERVICE PARTS**

45

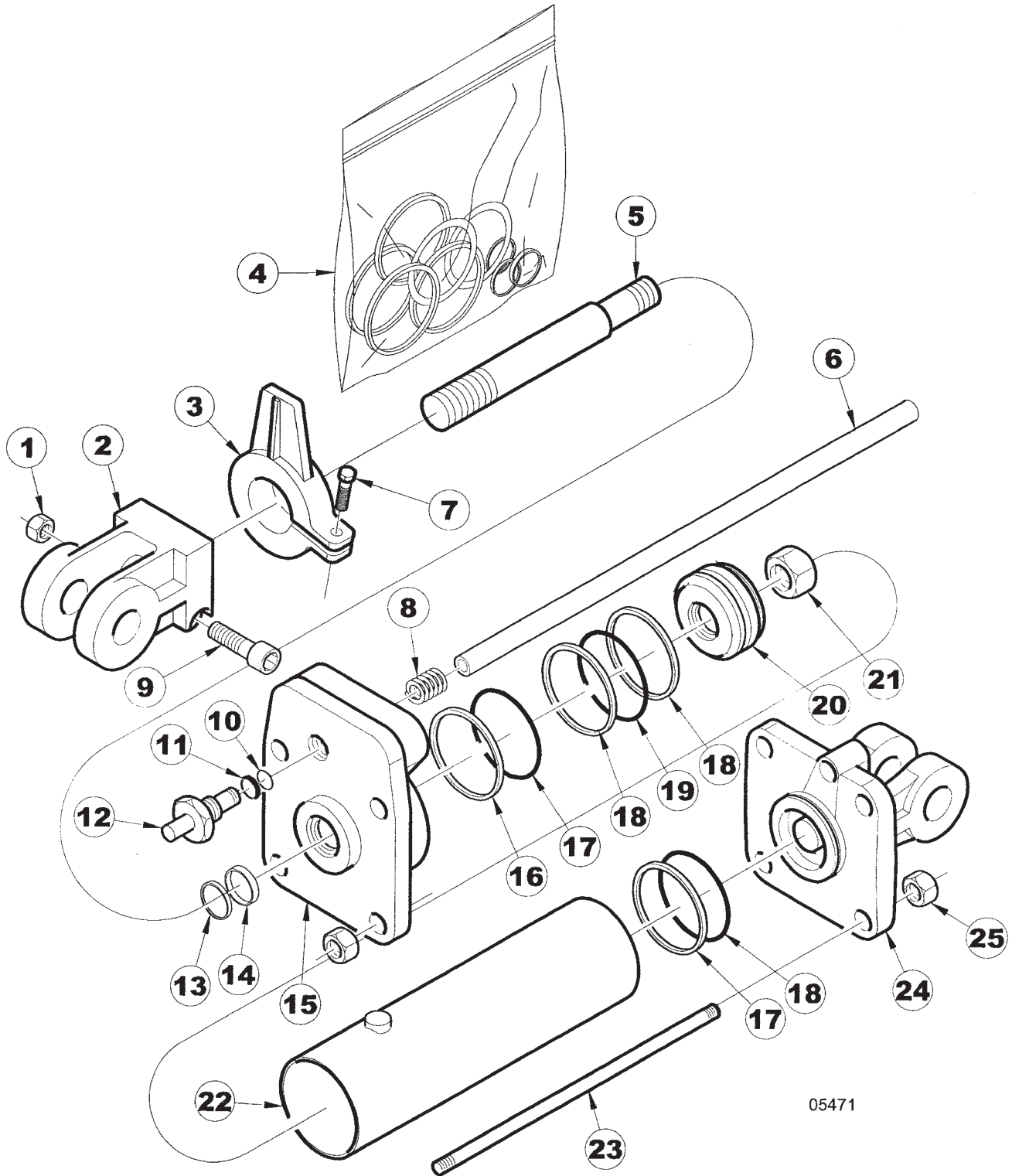
**4" X 16" LIFT CYLINDER 4441R
(VERSION 1, PRIOR TO 9/16/03)**

ITEM	NUMBER	QTY	DESCRIPTION
1	SN8671-1		CAPSCREW NUT, 5/16" THREADS CROSS
2	SN8619-1		CLEVIS, 1 1/4" THREADS, 1" PIN CROSS
3	SN8643-1		ACTUATOR STOP, 1 3/4" SHAFT
4	SN8779-1		SEAL KIT, 4", 1 3/4" ROD,
5	SN8915-1		ROD, 1 3/4" DIA, 16" CROSS
6	SN8634-1		FEED TUBE, 4" X 16" REPHASING CROSS
7	SNCS516114		HEX BOLT, 5/16"-18 X 1 1/4" GR 5,Y/D
8	SN8635-1		SPRING, 4" X 16" REPHASING CROSS
9	SN8631-1		CAPSCREW, CROSS
10			* O-RING
11			* BACKUP
12	SN8636-1		CARTRIDGE ASSY, CROSS
13			* WIPER
14			* U-CUP
15	SN8746-10		HEAD, 4", 1 3/4" ROD, CROSS (ORB)
16			* BACKUP
17			* O-RING
18			* BACKUP
19			* O-RING
20	SN8713-1		PISTON, 4" W/1" HOLE CROSS
21	SN8683-1		PISTON NUT, 1" CROSS
22	SN8833-1		TUBE, 4" X 16" CROSS
23	SN8843-1		TIE ROD BOLT, 4" X 16" CROSS
24	SN8693-10		BASE, 4" (ORB), 1 1/4" PIN
25	SN8864-1		TIE ROD NUT, 5/8" THREADS

* ITEMS ARE AVAILABLE IN THE SEAL KIT ONLY
WHEN ORDERING HYDRAULIC CYLINDER COMPONENTS, BE SURE TO NOTE THE PART NUMBER AND THE CYLINDER PSI. (LOCATED ON THE CYLINDER DECAL) AS THEY CONTAIN DIFFERENT COMPONENTS. OLDER CYLINDERS WERE 2500 PSI. AND THE NEWER CYLINDERS ARE 3000 PSI IDENTIFYING THE PART NUMBER OF THE CYLINDER IS EXTREMELY IMPORTANT WHEN ORDERING PARTS TO ENSURE PROPER OPERATION OF THE HYDRAULIC CYLINDER.

I0005471
PR: t05g29115b0020

4" X 16" LIFT CYLINDER 12048R
(VERSION 2, 9/16/03 & LATER)



05471

**4212 PARTS MANUAL
SERVICE PARTS**

47

**4" X 16" LIFT CYLINDER 12048R
(VERSION 2, 9/16/03 & LATER)**

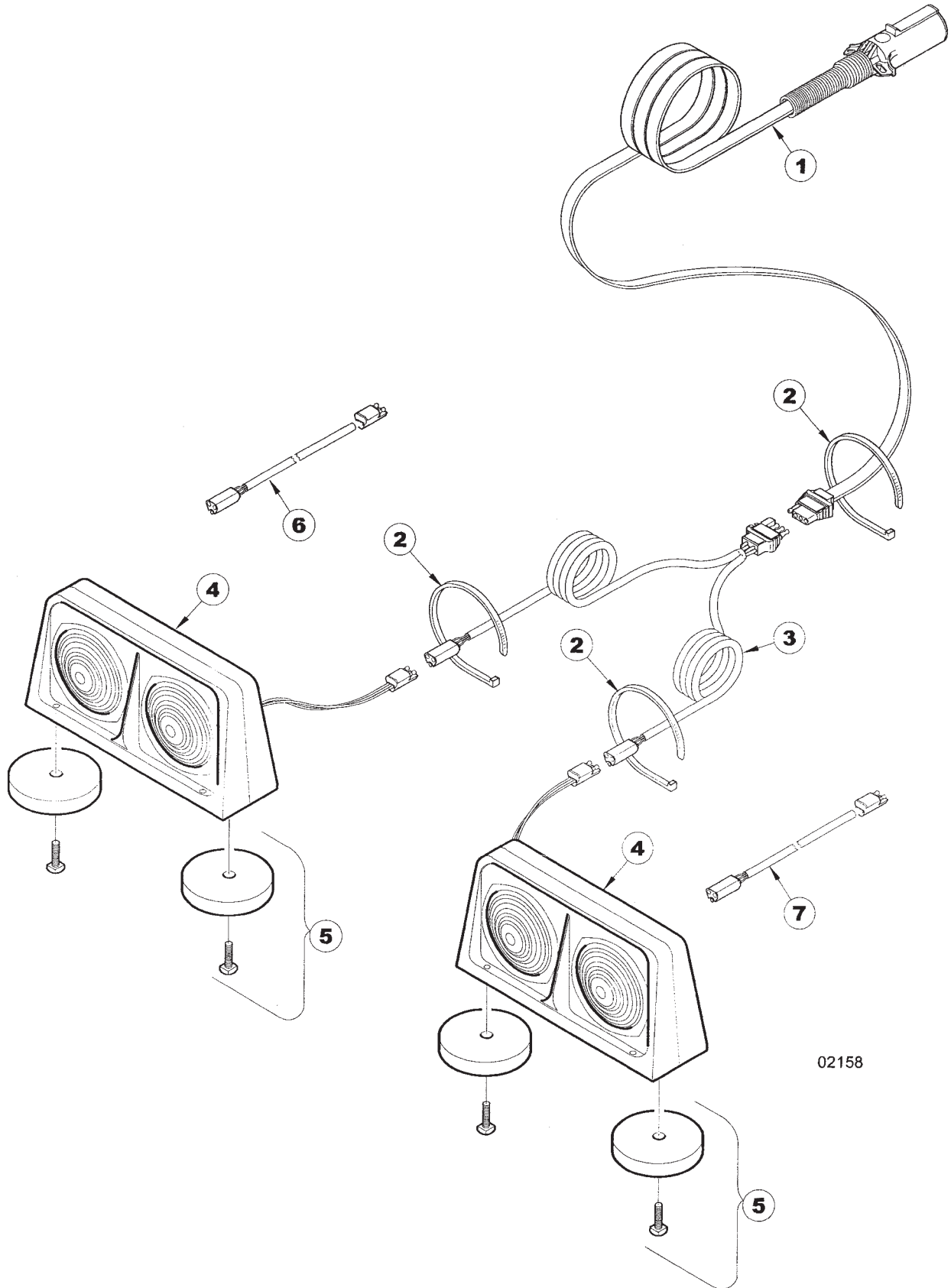
ITEM	NUMBER	QTY	DESCRIPTION
1	SN8671-1		CAPSCREW NUT, 5/16" THREADS CROSS
2	SN8619-1		CLEVIS, 1 1/4" THREADS, 1" PIN CROSS
3	SN8643-1		ACTUATOR STOP, 1 3/4" SHAFT
4	SN12052		SEAL KIT, 4", 1 3/4" ROD, CROSS
5	SN8915-1		ROD, 1 3/4" DIA, 16" CROSS
6	SN8634-1		FEED TUBE, 4" X 16" REPHASING CROSS
7	SNCS516114		HEX BOLT, 5/16"-18 X 1 1/4" GR 5, Y/D
8	SN8635-1		SPRING, 4" X 16" REPHASING CROSS
9	SN8631-1		CAPSCREW, CROSS
10			* O-RING
11			* BACKUP
12	SN8636-1		CARTRIDGE ASSY, CROSS
13			* WIPER
14			* U-CUP
15	SN8746-10		HEAD, 4", 1 3/4" ROD, CROSS (ORB)
16			* BACKUP
17			* O-RING
18			* BACKUP
19			* O-RING
20	SN12054		PISTON, 4" W/1" HOLE CROSS
21	SN8683-1		PISTON NUT, 1" CROSS
22	SN8833-1		TUBE, 4" X 16" CROSS
23	SN12053		TIE ROD BOLT, 4" X 16" CROSS
24	SN8693-10		BASE, 4" (ORB), 1 1/4" PIN
25	SN8864-1		TIE ROD NUT, 5/8" THREADS

* ITEMS ARE AVAILABLE IN THE SEAL KIT ONLY

WHEN ORDERING HYDRAULIC CYLINDER COMPONENTS, BE SURE TO NOTE THE PART NUMBER AND THE CYLINDER PSI. (LOCATED ON THE CYLINDER DECAL) AS THEY CONTAIN DIFFERENT COMPONENTS. OLDER CYLINDERS WERE 2500 PSI. AND THE NEWER CYLINDERS ARE 3000 PSI IDENTIFYING THE PART NUMBER OF THE CYLINDER IS EXTREMELY IMPORTANT WHEN ORDERING PARTS TO ENSURE PROPER OPERATION OF THE HYDRAULIC CYLINDER.

I0005471
PR: t05g29115b0021

LIGHT KIT ASSEMBLY

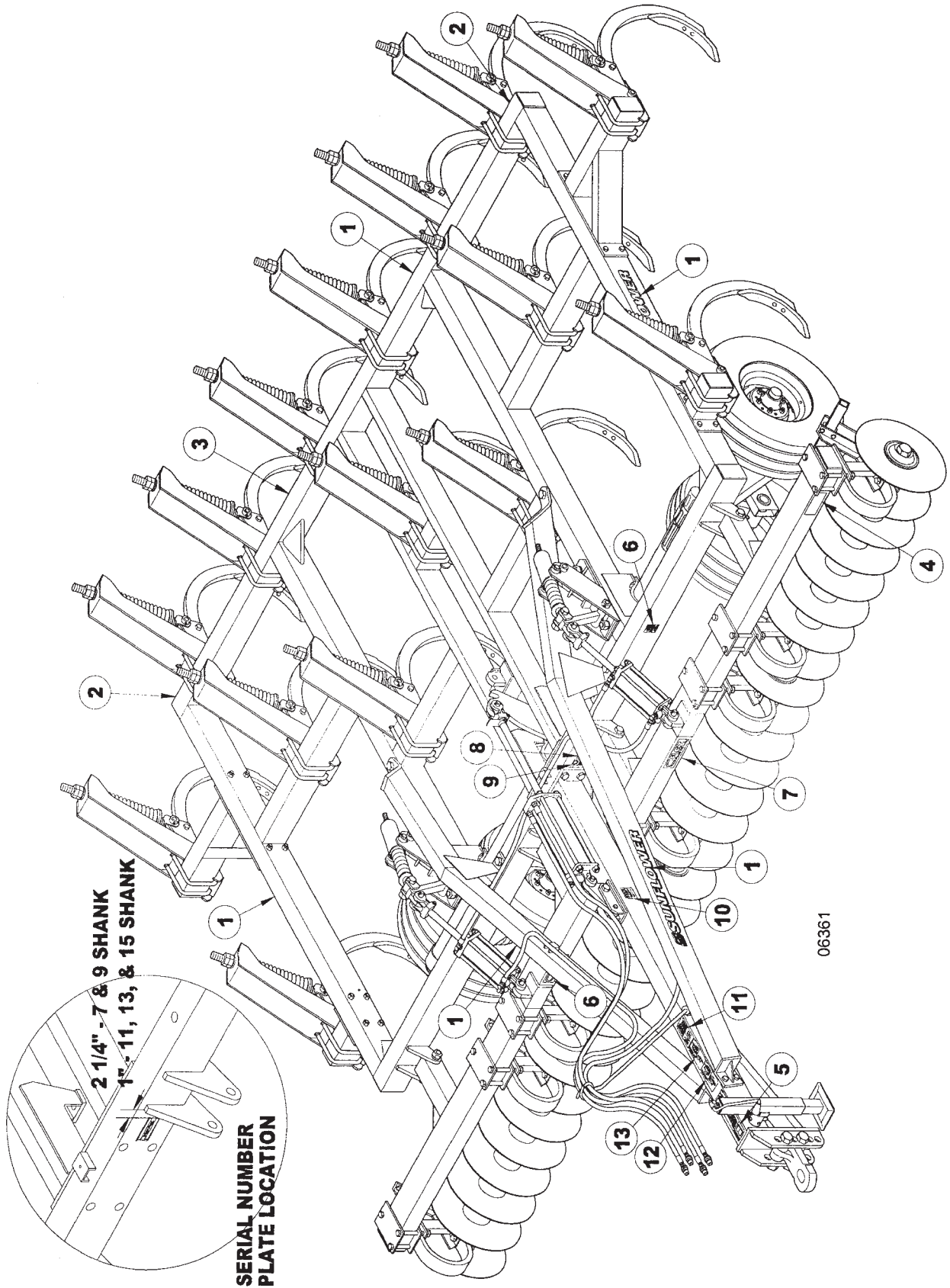


02158

ITEM	NUMBER	QTY	DESCRIPTION
1	SN5846		HARNESS, 25' STR SEC, SHIELDED FESTOON CABLE W/CONNECTORS
2	SN2587		PLASTIC HOSE STRAP, 21 1/2" L
3	SN5847		HARNESS, 15' WISHBONE W/FLAT & TRIANGULAR CONNECTORS
4	SN5845		DUAL LAMP, AMBER FRT/RR & RED RR, LT
	SN5844		DUAL LAMP, AMBER FRT/RR & RED RR, RT
5	SN5857		MAGNET KIT
6	SN5849		HARNESS, 5' EXTENSION W/TRIAN-GULAR CONNECTORS, LEFT
7	SN5848		HARNESS, 5' EXTENSION W/TRIAN-GULAR CONNECTORS, RIGHT
	SN5838		LIGHT KIT W/HARDWARE (ITEMS 1-5)

I0002158
PR: t05g29I15b0022

DECAL & SAFETY SIGN PLACEMENT

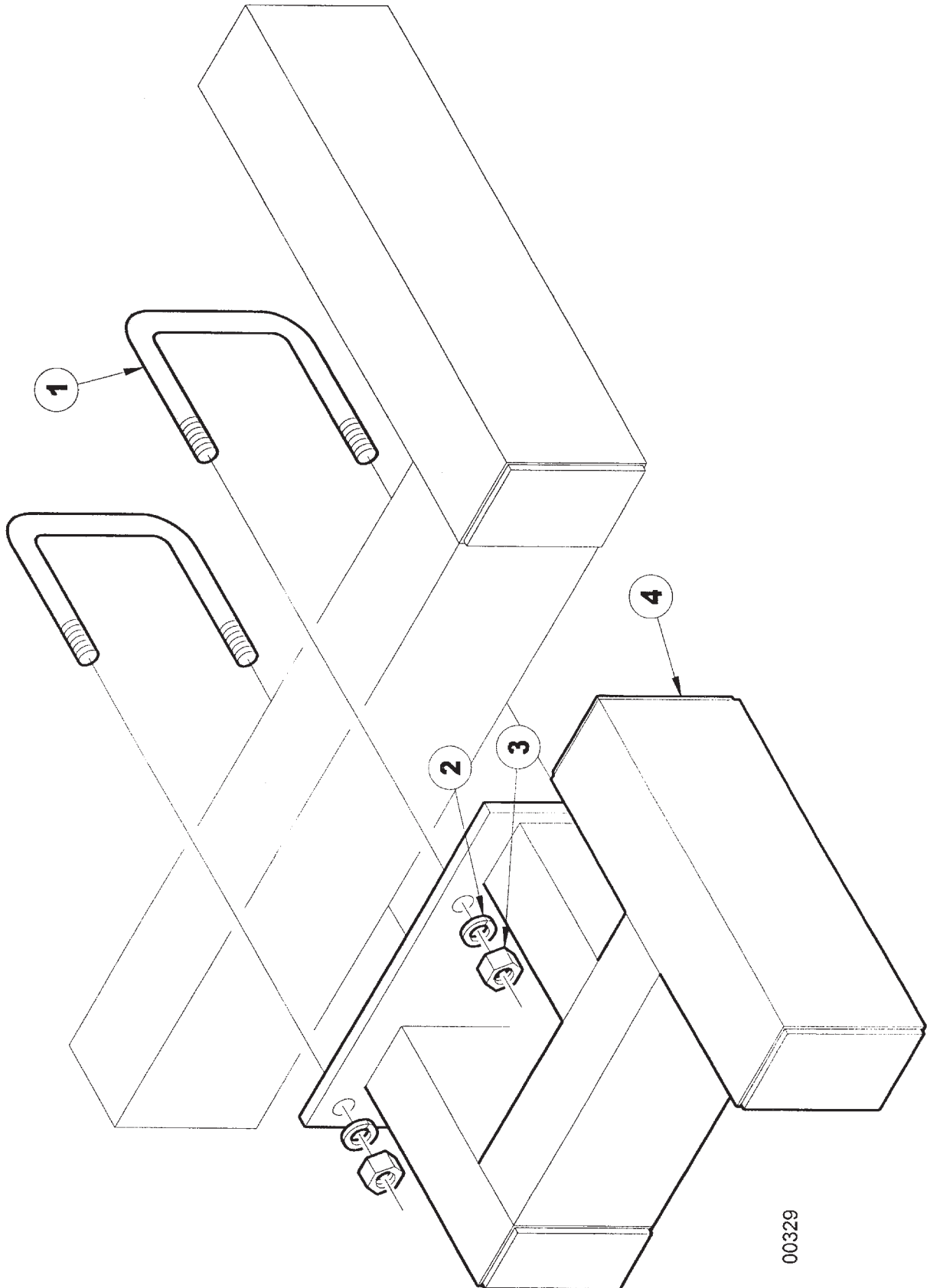


DECAL & SAFETY SIGN PLACEMENT

ITEM	NUMBER	QTY	DESCRIPTION
1	SN997002		SUNFLOWER DECAL
2	SN997040		RED REFLECTIVE TAPE
3	SN997239		4212 DECAL
4	SN997041		YELLOW REFLECTIVE TAPE
5	SN997792		DECAL-WARNING, READ OPERATOR'S MANUAL
6	SN997263		DECAL, TILLAGE PROMOTES A SAFER ENVIRONMENT FOR TOMORROW
7	SN997060		C-FLEX
8			SERIAL NUMBER PLATE
9	SN997246		FEMA DECAL
10	SN997078		TRANSPORT LOCK INSTALLATION
11	SN997311		HIGH PRESSURE FLUID HAZARD
12	SN997048		FASTEN SAFETY CHAIN
13	SN997074		UNHITCHING HAZARD

I0006361
PR: t05g29115b0023

MOUNTING BRACKET EXTENSION



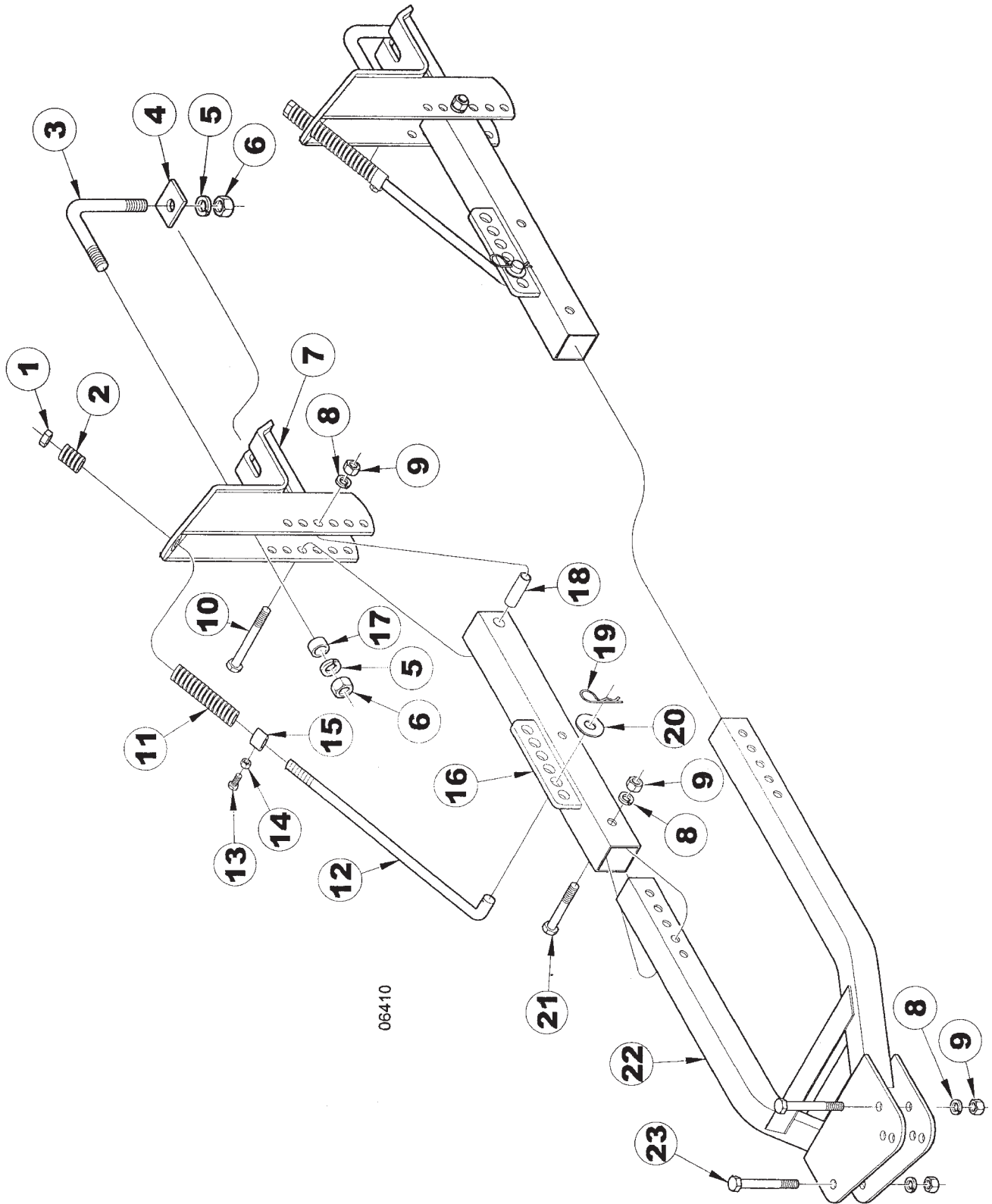
00329

MOUNTING BRACKET EXTENSION

ITEM	NUMBER	QTY	DESCRIPTION
1	SN3763		U-BOLT, 3/4"-10 X 5 3/4" X 6 3/4" W, GR 5, Y/D
2	SN1040		LOCK WASHER, 3/4" SPLIT TYPE MED, Y/D
3	SN106		HEX NUT, 3/4"-10 FULL, GR 5, Y/D
4	SN5557		EXTENSION, MOUNTING BRACKET, RED

I0000329
PR: t05g29i15b0024

REGULAR MOUNTING BRACKET



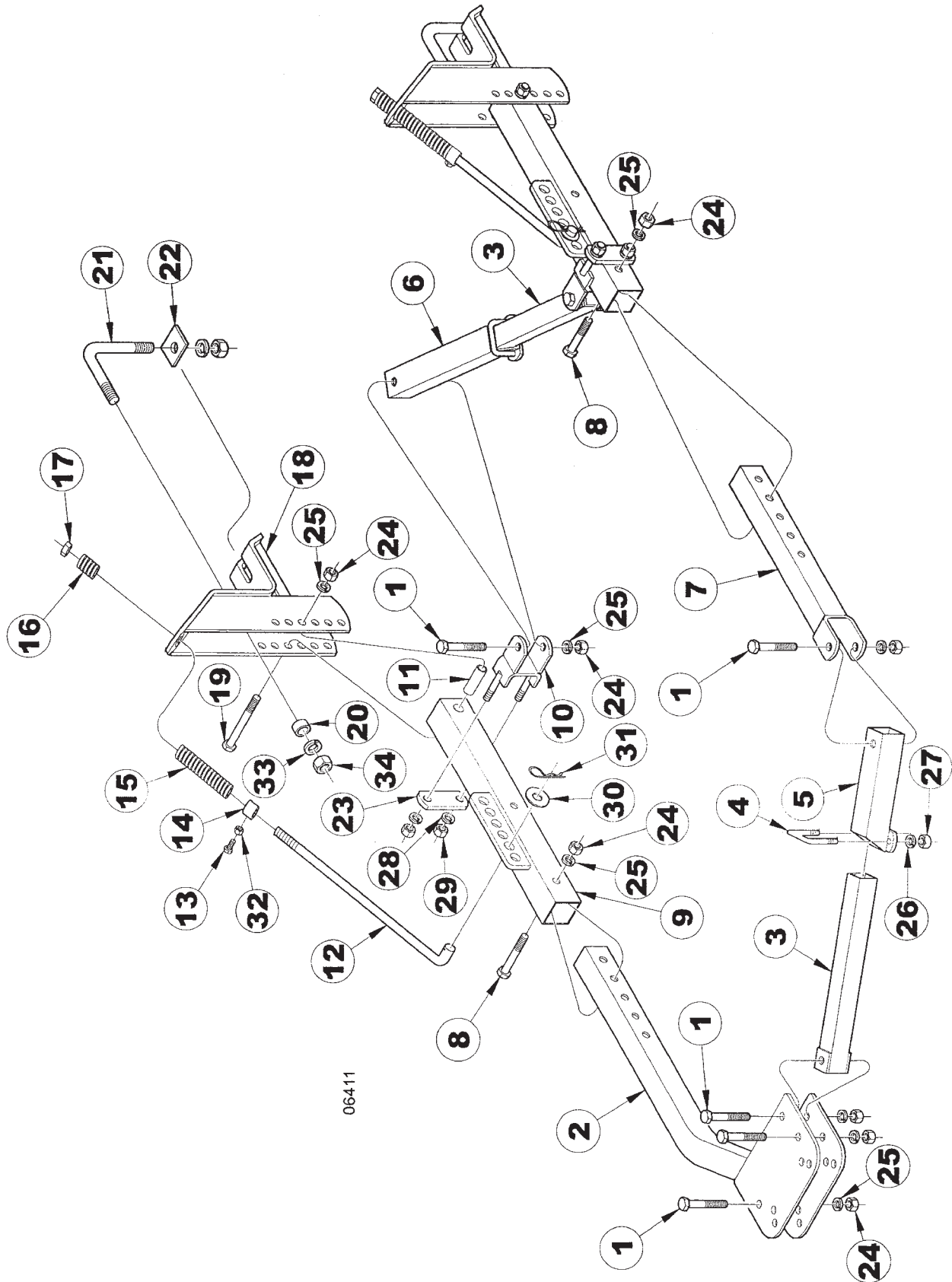
06410

REGULAR MOUNTING BRACKET

ITEM	NUMBER	QTY	DESCRIPTION
1	SN3938		LOCK NUT, 1"-8 HEX NYLON
2	SNFK361002		SPRING, 1.8125" OD X 1.062"ID, 2 5/8" L
3	SNFK150264		L-BOLT, 1" X 7" X 8", Y/D
4	SNFK501229		MOUNTING WEDGE
5	SN1283		LOCK WASHER, 1" SPLIT TYPE MED, Y/D
6	SN110		HEX NUT, 1"-8 FULL, GR 5, Y/D
7	SN6999		MOUNTING BRACKET
8	SN1040		LOCK WASHER, 3/4" SPLIT TYPE MED, Y/D
9	SN106		HEX NUT, 3/4"-10 FULL, GR 5, Y/D
10	SN821		HEX BOLT, 3/4"-10 X 5", GR 5 Y/D
11	SNFK361003		ADJUSTING ROD SPRING-LOWER
12	SN7000		ROD, HARROW ADJUSTMENT, Y/D
13	SN2078		SET SCREW, 1/2" X 1" SQUARE HEAD, Y/D
14	SN159		JAM NUT, 1/2"-13, GR 2, Y/D
15	SNFK351023		LOCK COLLAR, ADJUSTING ROD, Y/D
16	SN4789		FRAME PIVOT TUBE
17	SN4885		SPACER BUSHING
18	SNFK501168		BUSHING
19	SN71L-2901		PIN CLIP, 3/4"-7/8" SHAFT, .148" DIA, 3 1/8" L
20	SNFK150173		FLAT WASHER, 1" SAE, Y/D
21	SN1599		HEX BOLT, 3/4"-10 X 4", GR 5, Y/D
22	SN4795		MAIN HARROW FRAME
23	SN1675		HEX BOLT, 3/4"-10 X 4 1/2", GR 5, Y/D

I0006410
 PR: t05g29115b0025

ADJUSTABLE MOUNTING BRACKET



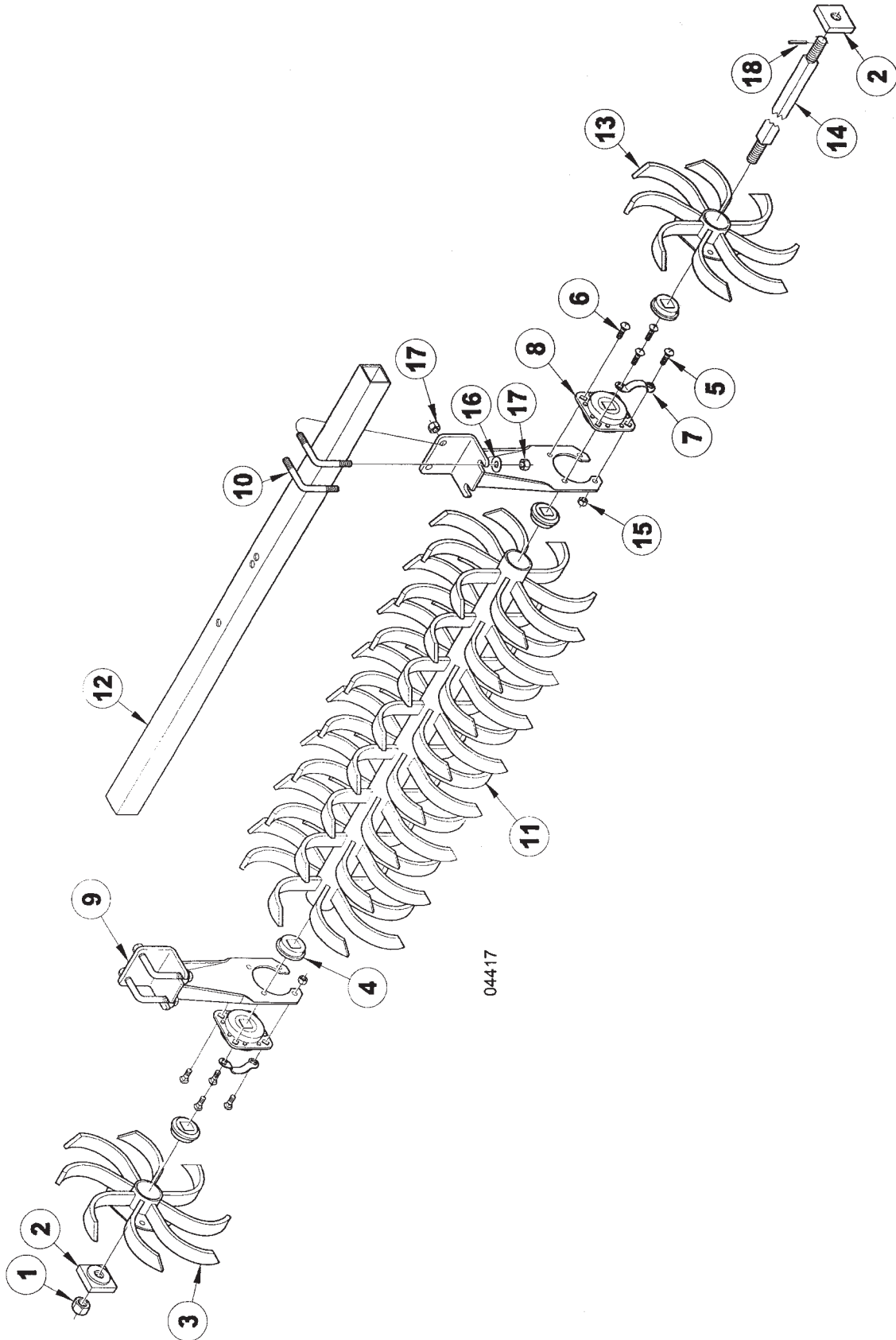
06411

ADJUSTABLE MOUNTING BRACKET

ITEM	NUMBER	QTY	DESCRIPTION
1	SN1675		HEX BOLT, 3/4"-10 X 4 1/2", GR 5, Y/D
2	SN4789		FRAME PIVOT TUBE
3	SN4790		ADJUSTABLE PIVOT TUBE
4	SNFK151053		U-BOLT, 1/2"-13 X 3 1/4" X 3 1/16" W, GR 5, Y/D
5	SN4792		ADJUSTABLE SLEEVE TUBE-RED
6	SN4791		SLEEVE TUBE-RED
7	SN4788		ADJUSTABLE FRAME TUBE-RED
8	SN1599		HEX BOLT, 3/4"-10 X 4", GR 5, Y/D
9	SN4789		FRAME PIVOT TUBE
10	SN4793		BRACE BRACKET-RED
11	SNFK501168		BUSHING
12	SN7000		ROD, HARROW ADJUSTMENT, Y/D
	SNFK501164		ROD, HARROW ADJ., Y/D
13	SN2078		SET SCREW, 1/2" X 1" SQUARE HEAD, Y/D
14	SNFK351023		LOCK COLLAR, ADJUSTING ROD, Y/D
15	SNFK361003		ADJUSTING ROD SPRING-LOWER
16	SNFK361002		SPRING, 1.8125" OD X 1.062" ID, 2 5/8" L
17	SN3938		LOCK NUT, 1"-8 HEX NYLON
18	SN6999		MOUNTING BRACKET
19	SN821		HEX BOLT, 3/4"-10 X 5", GR 5 Y/D
20	SN4885		SPACER BUSHING
21	SNFK150264		L-BOLT, 1" X 7" X 8", Y/D
22	SNFK501229		MOUNTING WEDGE
23	SN4794		CLAMP PLATE, 2 HOLE RED
24	SN106		HEX NUT, 3/4"-10 FULL, GR 5, Y/D
25	SN1040		LOCK WASHER, 3/4" SPLIT TYPE MED, Y/D
26	SN113		LOCK WASHER, 1/2" SPLIT TYPE MED, Y/D
27	SN114		HEX NUT, 1/2"-13 FULL, GR 2, Y/D
28	SN668		LOCK WASHER, 5/8" SPLIT TYPE MED, Y/D
29	SN669		HEX NUT, 5/8" FULL, GR 5, Y/D
30	SNFK150173		FLAT WASHER, 1" SAE, Y/D
31	SN71L-2901		PIN CLIP, 3/4"-7/8" SHAFT, .148" DIA, 3 1/8" L
32	SN159		JAM NUT, 1/2"-13, GR 2, Y/D
33	SN1283		LOCK WASHER, 1" SPLIT TYPE MED, Y/D
34	SN110		HEX NUT, 1"-8 FULL, GR 5, Y/D

I0006411
 PR: t05g29115b0026

ROLLING TREADER GANG ASSEMBLY

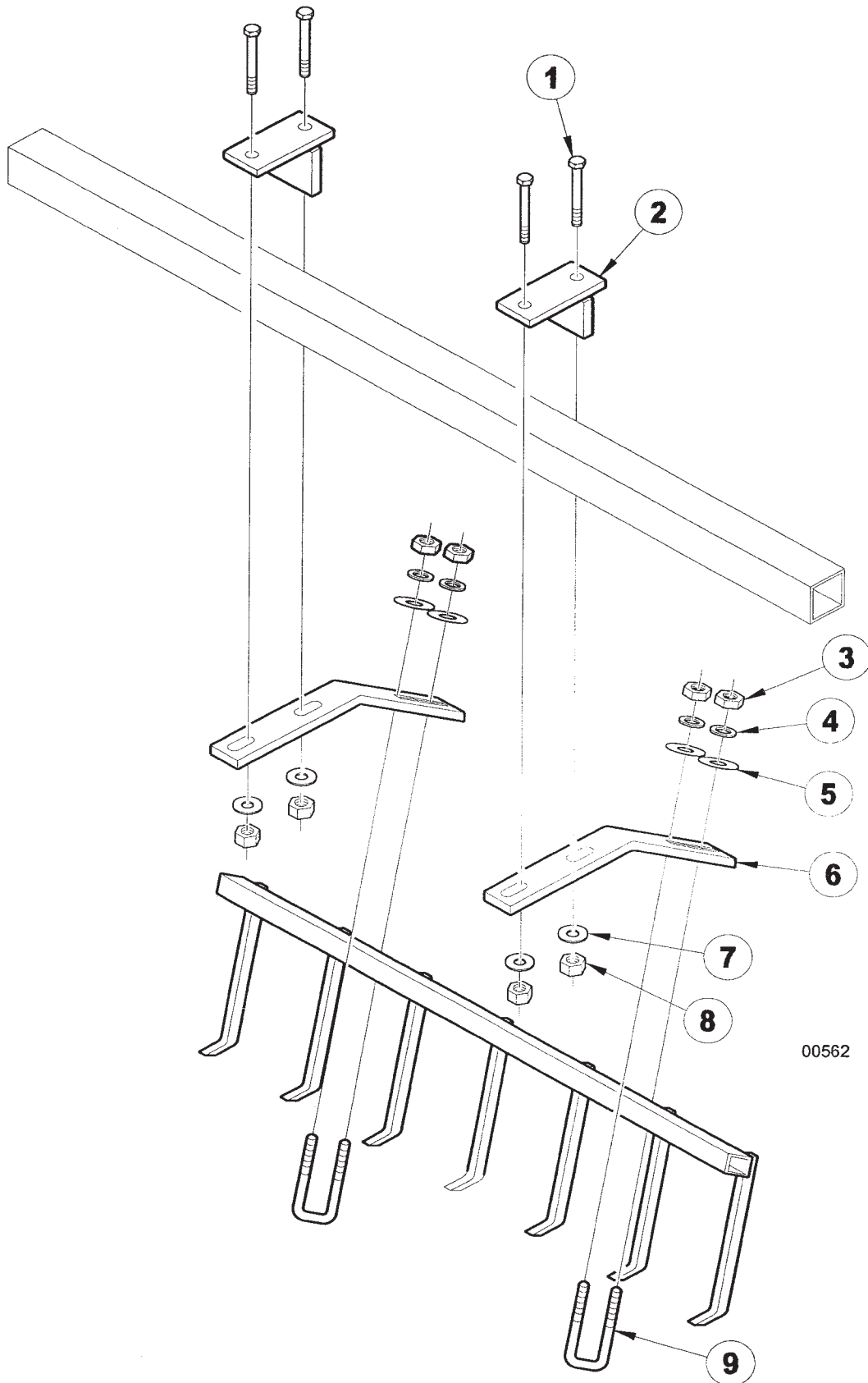


04417

ITEM	NUMBER	QTY	DESCRIPTION
1	SNHCL		LOCK NUT, 1"-8 UNC HEX CENTER, GR 2, Y/D
2	SN10F-1639		GANG NUT, F/AF & EARLY MT
3	SN4820		WHEEL, 8 TOOTH RIGHT, BLACK
	SN4821		WHEEL, 8 TOOTH LEFT, BLACK
4	SN4876		SPACER CASTING-BLACK
5	SN1187		CARRIAGE BOLT, 1/2"-13 X
6	SNFK150185		CARRIAGE BOLT, 1/2"-13 X 1", GR 5, Y/D
7	SNH10-003		GUARD, BEARING LUBRICATION FITTING, Y/D
8	SNYYB3471		BRG & FLANGE ASSY W/ZERK
9	SN4871		BEARING STANDARD
10	SNFK150257		L-BOLT, 5/8"-11 X 3 3/4" X 3 3/4", Y/D
11	SN4832		8 WHEEL GANG, 8 TOOTH RH,
	SN4831		8 WHEEL GANG, 8 TOOTH LH,
	SN4829		10 WHEEL GANG, 8 TOOTH RH, BLACK
	SN4830		10 WHEEL GANG, 8 TOOTH LH, BLACK
	SN4816		13 WHEEL GANG, 8-TOOTH RH, BLACK
	SN4815		13 WHEEL GANG, 8-TOOTH LH, BLACK
	SN5090		6 WHEEL GANG, 8 TOOTH RH
	SN5091		6 WHEEL GANG, 8 TOOTH LH
	SN4832		8 WHEEL GANG, 8 TOOTH RH,
	SN4831		8 WHEEL GANG, 8 TOOTH LH,
12	SN4874		HANGER BAR, 59" L.
	SN4880		HANGER BAR, 71" L.
	SN4879		HANGER BAR, 89" L.
	SN5092		HANGER BAR, 44"
	SN4874		HANGER BAR, 59" L.
13	SN5155		WHEEL, 8 TOOTH RIGHT LEVELING, BLACK
	SN5156		WHEEL, 8 TOOTH LEFT LEVELING, BLACK
14	SN9278		SHAFT, 59 3/8", 1 1/8" SQ
	SN9280		SHAFT, 71 3/8", 1 1/8" SQ
	SN9283		SHAFT, 89 3/8", 1 1/8" SQ
	SN9276		SHAFT, 47 3/8", 1 1/8" SQ
15	SN3735		LOCK NUT, 1/2"-13 UNC HEX
16	SNFK150283		FLAT WASHER, 5/8" SAE, Y/D
17	SN669-1		LOCK NUT, 5/8" HEX NYLON
18	SN3164		ROLL PIN, 5/16" X 2" SPIRAL MEDIUM DUTY, Y/D

I0004417
 PR: t05g29115b0027

STRIPPER ASSEMBLY



00562

4212 PARTS MANUAL
STRIPPER PARTS

61

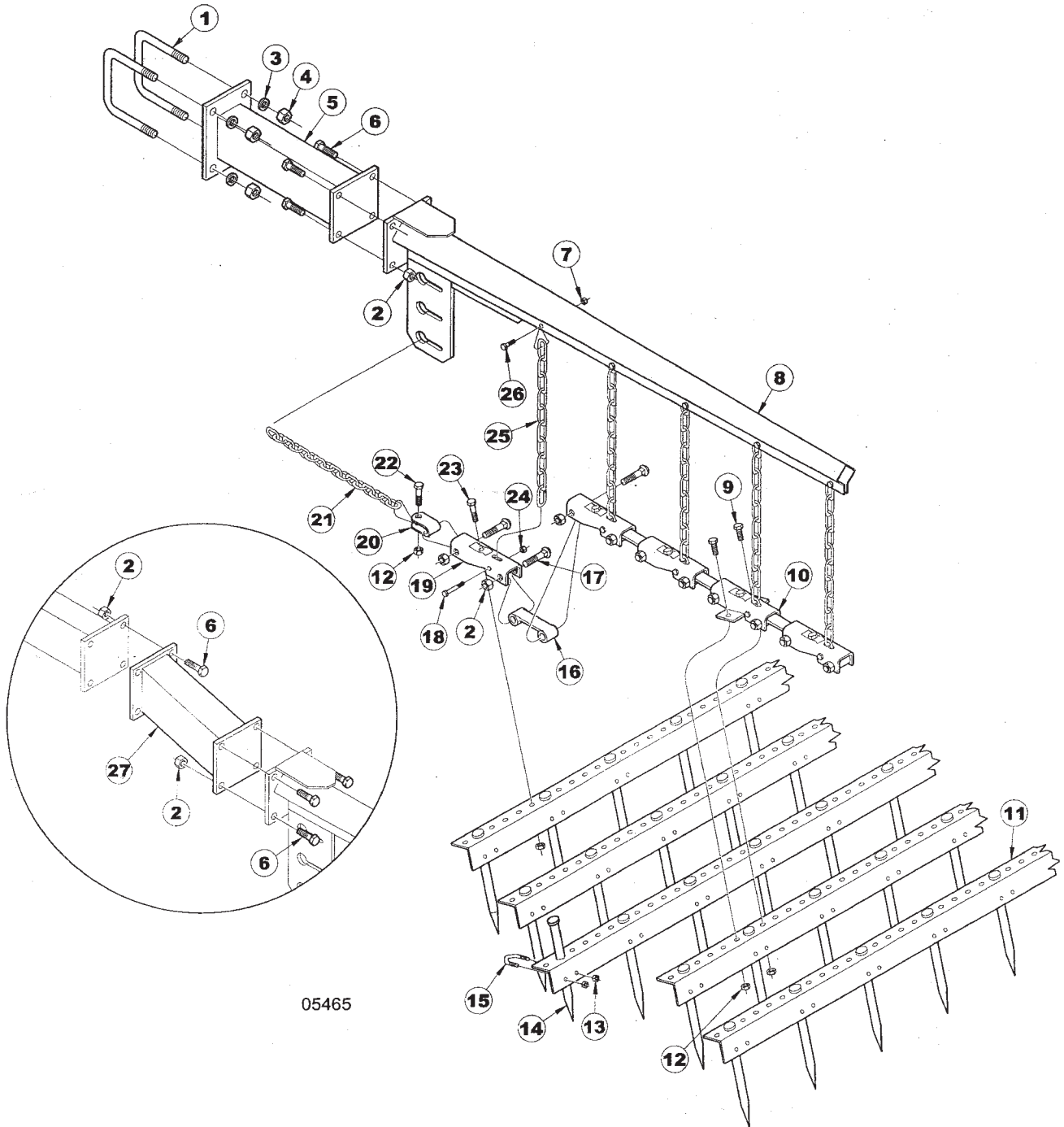
STRIPPER ASSEMBLY

ITEM	NUMBER	QTY	DESCRIPTION
1	SN2557		HEX BOLT, 5/8"-11 X 4 1/2", GR 5, Y/D
2	SN5668		CLAMP PLATE
3	SN114		HEX NUT, 1/2"-13 FULL, GR 2, Y/D
4	SN113		LOCK WASHER, 1/2" SPLIT TYPE MED, Y/D
5	SN486		FLAT WASHER, 1/2", Y/D
6	SN5669		MOUNT BAR, STRIPPER
7	SN2089		FLAT WASHER, 5/8", Y/D
8	SN669-1		LOCK NUT, 5/8" HEX NYLON
9	SNR0G-014		U-BOLT, 1/2"-13 X 3" X 2 5/32"W, GR 5, Y/D

I0000562
PR: t05g29115b0028

4212 PARTS MANUAL
5-ROW SPIKE DRAG PARTS SECTION

5-ROW SPIKE DRAG ASSEMBLY



05465

4212 PARTS MANUAL
5-ROW SPIKE DRAG PARTS SECTION

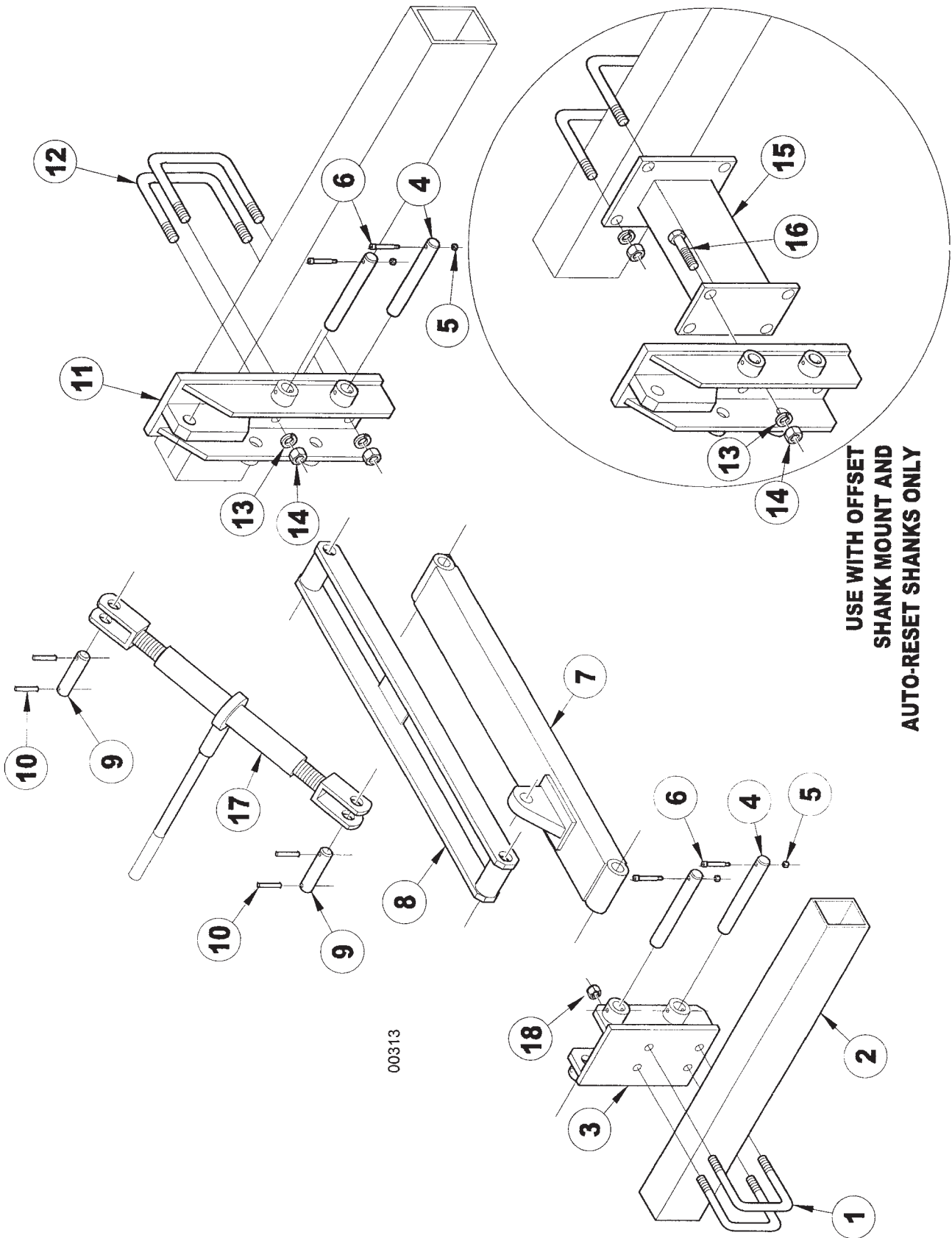
63

5-ROW SPIKE DRAG ASSEMBLY

ITEM	NUMBER	QTY	DESCRIPTION
1	SN3763		U-BOLT, 3/4"-10 X 5 3/4" X 6 3/4" W, GR 5, Y/D
2	SN669-1		LOCK NUT, 5/8" HEX NYLON
3	SN1040		LOCK WASHER, 3/4" SPLIT TYPE MED, Y/D
4	SN106		HEX NUT, 3/4"-10 FULL, GR 5, Y/D
5	SN3764		HARROW ARM EXTENSION, 18"
6	SN670		HEX BOLT, 5/8"-11 X 2", GR 5, Y/D
7	SN3567		LOCK NUT, 3/8"-16 HEX NYLON INSERT, GR 2, Y/D
8	SN3975		SPIKE TOOTH ARM, 5 ROW
9	SN1823		HEX BOLT, 1/2"-13 X 1 1/4", GR 5, Y/D
10	SN3979		DOUBLE BAR BRACKET
11	SN3967		SPIKE TOOTH BAR, 5' (7 TOOTH)
	SN7016		SPIKE TOOTH BAR, 5 1/2' (8 TOOTH)
	SN3968		SPIKE TOOTH BAR, 6 1/2' (9 TOOTH)
	SN3969		SPIKE TOOTH BAR, 8' (11 TOOTH)
	SN3970		SPIKE TOOTH BAR, 9 1/2', (13 TOOTH)
	SN3972		SPIKE TOOTH BAR, 12 1/2' (17 TOOTH)
12	SN2096		LOCK NUT, 1/2"-13 HEX NYLON INSERT
13	SN3567		LOCK NUT, 3/8"-16 HEX NYLON INSERT, GR 2, Y/D
14	SN3895B		SPIKE TOOTH, 3/4" X 11"
15	SN3894		TRI-BEND BOLT, 3/8"-16 X 1 1/2", Y/D
16	SN3967		SPIKE TOOTH BAR, 5' (7 TOOTH)
17	SN3985		CARRIAGE BOLT, 5/8"-11 X 3" GR 5, Y/D SPECIAL
18	SN4738		HEX BOLT, 3/8"-16 X 2 3/4", GR 5, Y/D
19	SN3977		BAR BRACKET
20	SN7013		U-CLIP
21	SN3983		CHAIN, 5/16" PROOF, 25 LINKS
22	SN2045		HEX BOLT, 1/2"-13 X 1 3/4", GR5, Y/D
23	SN112		HEX BOLT, 1/2"-13 X 2 1/2", GR 5, Y/D
24	SN3567		LOCK NUT, 3/8"-16 HEX NYLON INSERT, GR 2, Y/D
25	SN3982		CHAIN, 7/0 SIDE 10 LINKS
26	SN3984		HEX BOLT, 3/8"-16 X 1 1/4", GR 5, Y/D
27	SN7687		HARROW ARM EXTENSION, 12" (INSTALL WHEN USING OFFSET SHANK MOUNTS AND AUTO-RESET SHANKS)
	SN7045		HARROW ARM EXTENSION W/BOLTS (ITEMS 2, 6, & 27)

I0005465
PR: t05g29115b0029

LEVELER ASSEMBLY

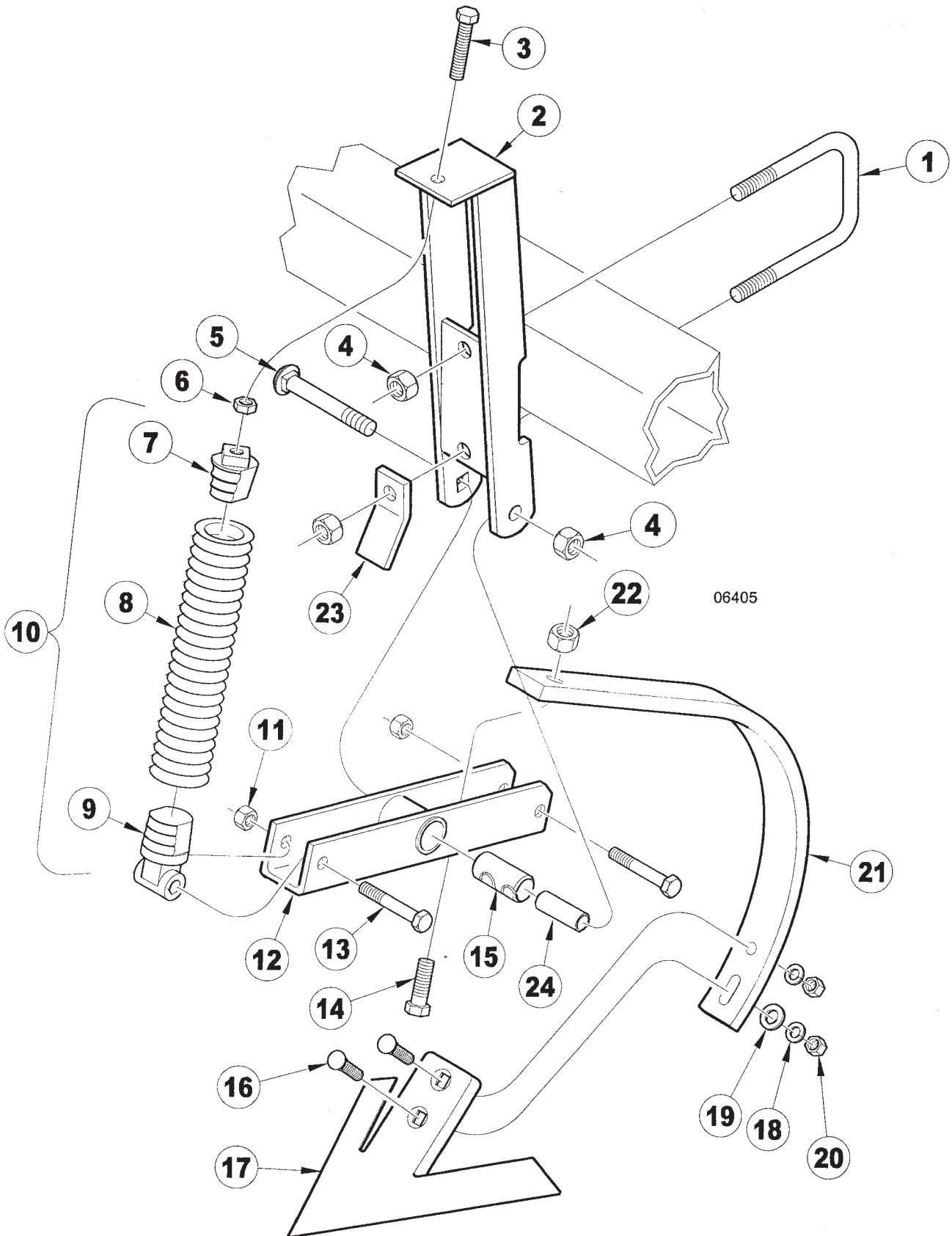


USE WITH OFFSET
SHANK MOUNT AND
AUTO-RESET SHANKS ONLY

ITEM	NUMBER	QTY	DESCRIPTION
1	SN3306		U-BOLT, 5/8"-11 X 4 1/2" X 4 5/8" W, GR 5, Y/D
2	SN3772		TOOL BAR, 126"
	SN3773		TOOL BAR, 186"
	SN3771		TOOL BAR, 105"
3	SN3767		TOOL BAR MOUNTING PLATE
4	SN3163		PIN, 1" X 7 1/2" (6 27/32"), Y/D
5	SN3881		LOCK NUT, 1/4"-20 HEX NYLON INSERT, GR 2, Y/D
6	SN3880		SHOULDER BOLT, 5/16" X 1 3/4", GR 8 EQUIV
7	SN3768		BOTTOM LINK
8	SN3769		TOP LINK
9	SN5385		PIN, 1" X 3" (2 1/16"), Y/D
10	SN3164		ROLL PIN, 5/16" X 2" SPIRAL MEDIUM DUTY, Y/D
11	SN3766		FRAME MOUNTING PLATE
12	SN3763		U-BOLT, 3/4"-10 X 5 3/4" X 6 3/4" W, GR 5, Y/D
13	SN1040		LOCK WASHER, 3/4" SPLIT TYPE MED, Y/D
14	SN106		HEX NUT, 3/4"-10 FULL, GR 5, Y/D
15	SN7078		LEVELER ATTACHMENT EXTENSION, 13"
16	SN1122		HEX BOLT, 3/4"-10 X 2 1/2", GR 5, Y/D
17	SN2893		RATCHET JACK

I0000313
PR: t05g29115b0030

SPRING SHANK ASSEMBLY

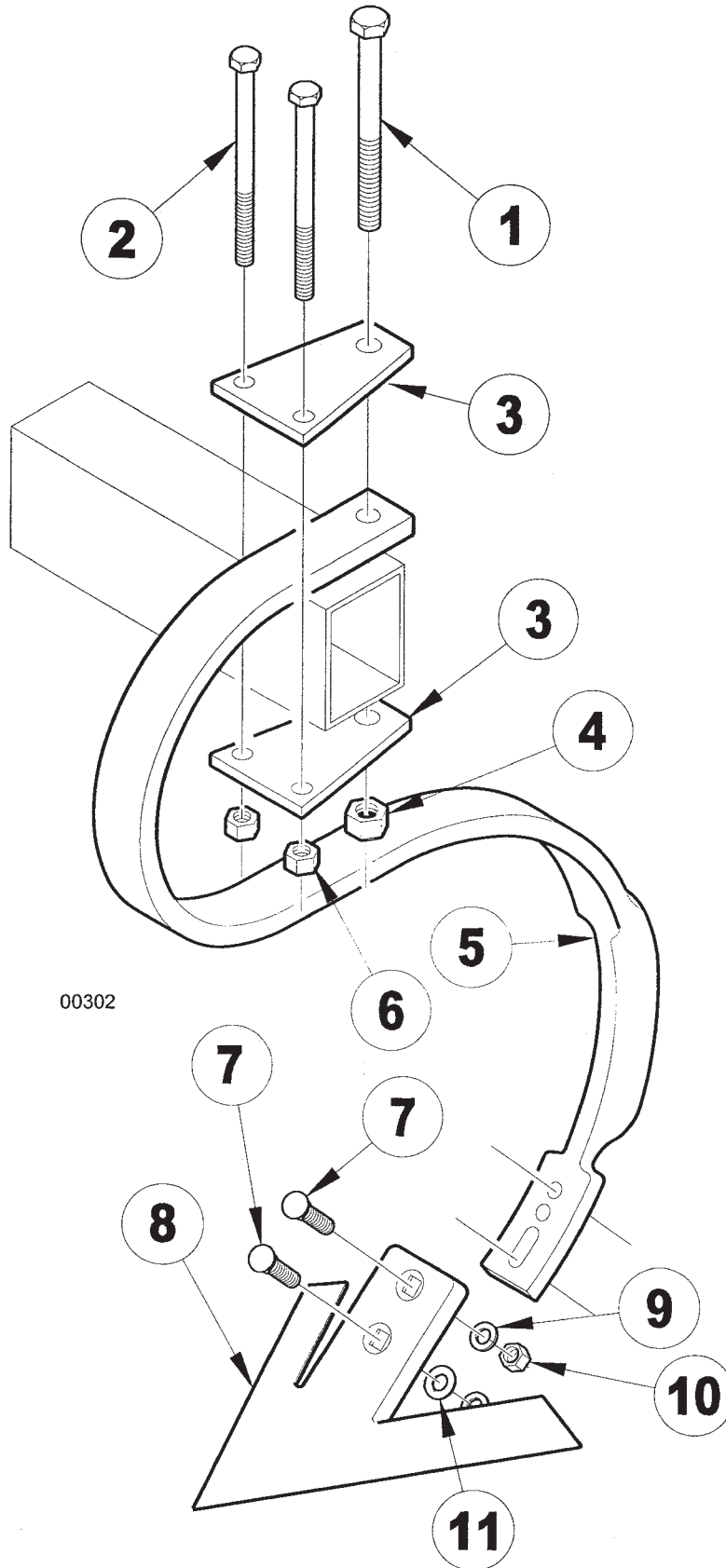


SPRING SHANK ASSEMBLY

ITEM	NUMBER	QTY	DESCRIPTION
1	SN3052		U-BOLT, 5/8"-11 X 5 5/8" X 4 3/4" W, GR 5, Y/D
2	SN3572		UPPER SHANK MOUNT
3	SN1299		HEX BOLT, 1/2"-13 X 2 1/2" ALLTHD, GR 5, Y/D
4	SN669-1		LOCK NUT, 5/8" HEX NYLON
5	SN3949		CARRIAGE BOLT, 5/8" X 4 1/4", Y/D, SPECIAL
6	SN159		JAM NUT, 1/2"-13, GR 2, Y/D
7	SN3041		THREADED SPRING PLUG, 5000
8	SN3043		SPRING, 5000
9	SN3042		SPRING BASE, 5000
10	SN3044		SPRING ASSEMBLY, 5000
11	SN2096		LOCK NUT, 1/2"-13 HEX NYLON INSERT
12	SN5710		SHANK HOLDER
13	SN156		HEX BOLT, 1/2"-13 X 3", GR 5 Y/D
14	SN3790		HEX BOLT, 9/16"-12 X 1 3/4", GR 8, PL
15	SN6642		BUSHING, 1 1/8" OD X.887" ID 2 3/8" L (HARD) SPRING
16	SN3050		PLOW BOLT, 7/16"-14 X 1 1/2", GR 5, Y/D
17	SN3055		SWEEP, 4" PLAIN CULTIVATOR (47 DEG)
18	SN302		LOCKWASHER, 7/16" SPLIT TYPE MED, Y/D
19	SN305		FLAT WASHER, 7/16", Y/D
20	SN303		HEX NUT, 7/16"-14 FULL, GR 2, Y/D
21	SN12257		SHANK, 5/8" X 1 3/4" X 24", FLAT (CURRENT SHANK)
	SN3820		SHANK, 9/16" X 1 3/4" X 24", ON EDGE
22	SN3757		LOCK NUT, 9/16"-12 HEX NYLON INSERT, GR 8, PLATED
23	SN3874		UPPER SHANK MOUNT STOP
	SN3036		UPPER SHANK MOUNT STOP, 5000, Y/D
24	SN5711		BUSHING, CLAMP

I0006405
PR: t05g29115b0031

S-TINE SHANK ASSEMBLY



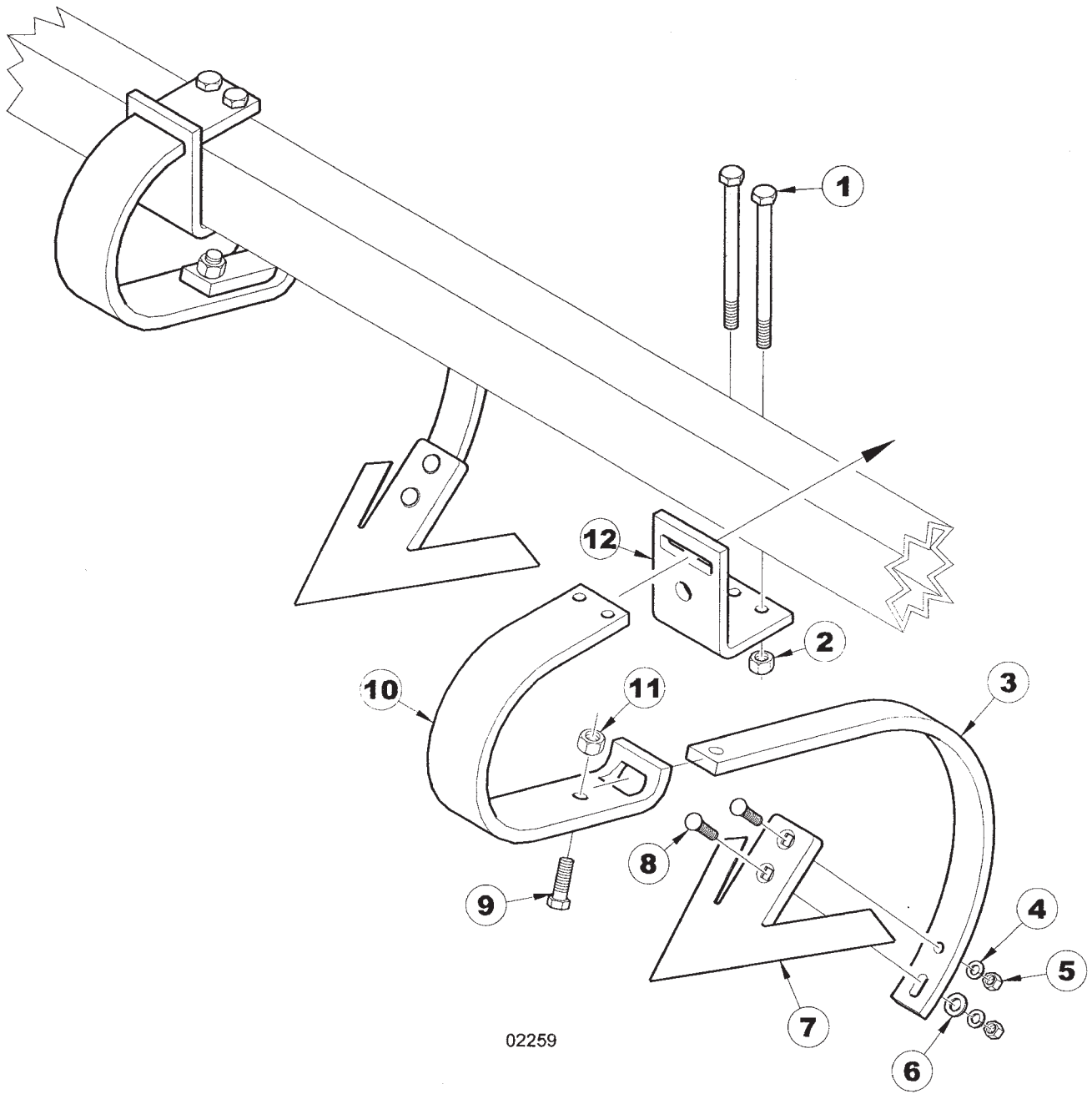
00302

S-TINE SHANK ASSEMBLY

ITEM	NUMBER	QTY	DESCRIPTION
1	SN1308		HEX BOLT, 5/8"-11 X 6 1/2", GR 5, Y/D
2	SN3568		HEX BOLT, 1/2"-13 X 6 1/2",GR 5, Y/D
3	SN3827		S-TINE CLAMP
4	SN669-1		LOCK NUT, 5/8" HEX NYLON
5	SN3821		SHANK, 5/8" X 1 3/4" X 24" S-TINE
	SN3863		SHANK ASSY, S-TINE
6	SN2096		LOCK NUT, 1/2"-13 HEX NYLON INSERT
7	SN3050		PLOW BOLT, 7/16"-14 X 1 1/2", GR 5, Y/D
8	SN3055		SWEEP, 4" PLAIN CULTIVATOR (47 DEG)
9	SN302		LOCKWASHER, 7/16" SPLIT TYPE MED, Y/D
10	SN303		HEX NUT, 7/16"-14 FULL, GR 2, Y/D
11	SN305		FLAT WASHER, 7/16", Y/D

I0000302
PR: t05g29115b0032

S-TINE SHANK ASSEMBLY (TWO PIECE)



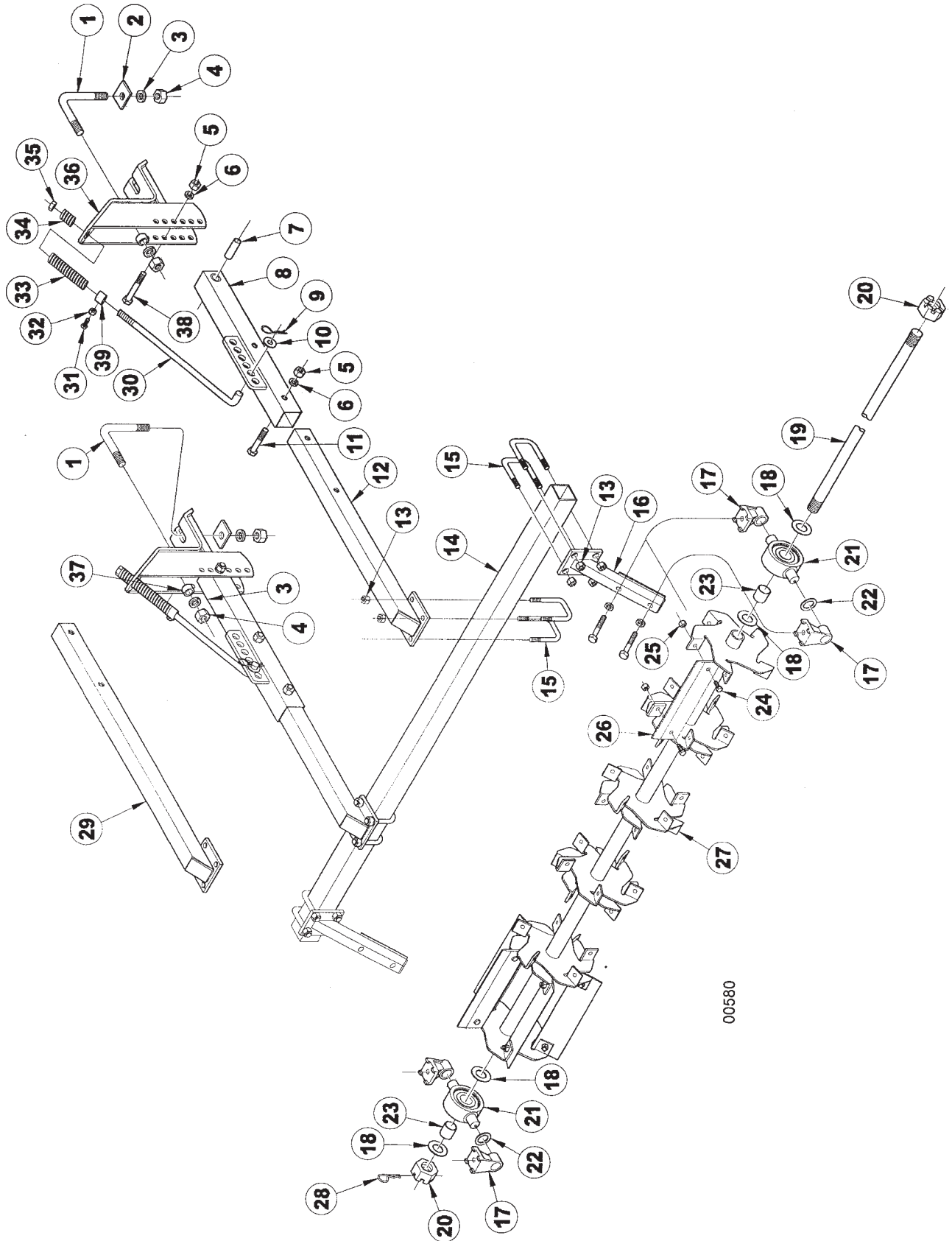
02259

S-TINE SHANK ASSEMBLY (TWO PIECE)

ITEM	NUMBER	QTY	DESCRIPTION
1	SN329		HEX BOLT, 1/2"-13 X 6"
2	SN2096		LOCK NUT, 1/2"-13 HEX NYLON INSERT
3	SN12257		SHANK, 5/8" X 1 3/4" X 24", FLAT (CURRENT SHANK)
	SN6806		DA SHANK, 5/8" X 1 3/4" X 24", ON EDGE
4	SN302		LOCKWASHER, 7/16" SPLIT TYPE MED, Y/D
5	SN303		HEX NUT, 7/16"-14 FULL, GR 2, Y/D
6	SN305		FLAT WASHER, 7/16", Y/D
7	SN3055		SWEEP, 4" PLAIN CULTIVATOR (47 DEG)
8	SN3050		PLOW BOLT, 7/16"-14 X 1 1/2", GR 5, Y/D
9	SN7530		HEX BOLT, 5/8"-11 X 2 1/4" GR 5, Y/D
10	SN7453		SPRING CLAMP, S-TINE
11	SN669-1		LOCK NUT, 5/8" HEX NYLON
12	SN7528		S-TINE CLAMP

I0002259
 PR: t05g29115b0033

CHOPPER REEL ASSEMBLY



00560

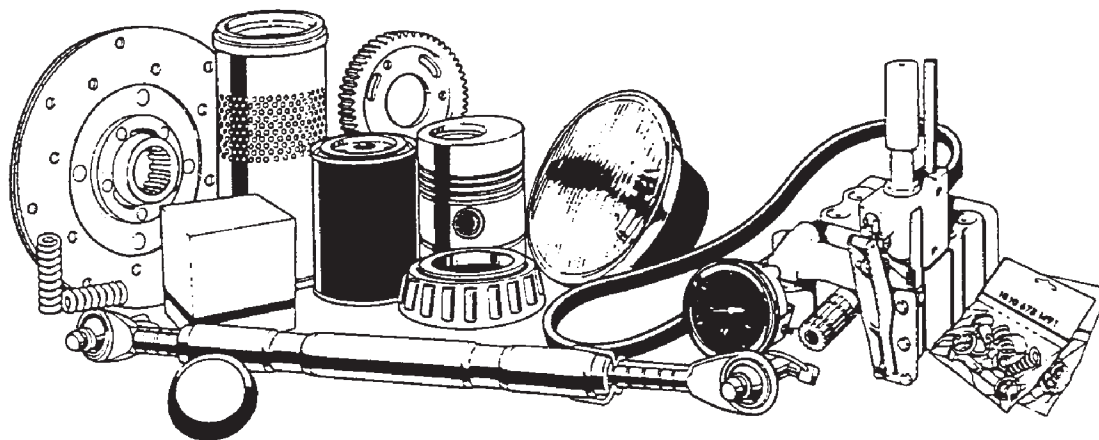
CHOPPER REEL ASSEMBLY

ITEM	NUMBER	QTY	DESCRIPTION
1	SNFK150264		L-BOLT, 1" X 7" X 8", Y/D
2	SNFK501229		MOUNTING WEDGE
3	SN1283		LOCK WASHER, 1" SPLIT TYPE MED, Y/D
4	SN110		HEX NUT, 1"-8 FULL, GR 5, Y/D
5	SN106		HEX NUT, 3/4"-10 FULL, GR 5, Y/D
6	SN1040		LOCK WASHER, 3/4" SPLIT TYPE MED, Y/D
7	SNFK501168		BUSHING
8	SN4789		FRAME PIVOT TUBE
9	SN71L-2901		PIN CLIP, 3/4"-7/8" SHAFT, .148" DIA, 3 1/8" L
10	SNFK150173		FLAT WASHER, 1" SAE, Y/D
11	SN1599		HEX BOLT, 3/4"-10 X 4", GR 5, Y/D
12	SN5885		REEL MOUNTING ARM, 37 1/4"
13	SN669-1		LOCK NUT, 5/8" HEX NYLON
14	SN5509		GANG BAR, 55 1/4"
	SN5510		GANG BAR, 70 1/4"
	SN5511		GANG BAR, 85 1/4"
	SN5512		GANG BAR, 100 1/4"
15	SN5515		U-BOLT, 5/8"-11 X 4 1/2" X 3 5/8" W, GR 5, Y/D
16	SN5884		HARROW MOUNTING ARM
17	SN3096		TRUNNION BEARING MOUNT
18	SN2755		FLAT WASHER, 1 9/16" ID X
19	SN5528		SHAFT, 55 5/8", 1 1/2" DIA
	SN5545		SHAFT, 70 5/8", 1 1/2" DIA
	SN5546		SHAFT, 85 5/8", 1 1/2" DIA
	SN5547		SHAFT, 100 5/8", 1 1/2" DIA
20	SN1456		HEX NUT, 1 1/2"-6 FULL SLOTTED GR 2, Y/D
21	SN3090		TRUNNION BEARING COMPLETE
22	SN3095		FLAT WASHER, 1 1/2" ID X 2 1/4" OD, 10 GA, Y/D
23	SN5527		BUSHING
24	SN1823		HEX BOLT, 1/2"-13 X 1 1/4", GR 5, Y/D
25	SN2096		LOCK NUT, 1/2"-13 HEX NYLON INSERT
26	SN5529		REEL BLADE
27	SN5572		REEL, 45" W/BLADES
	SN5573		REEL, 60" W/BLADES
	SN5574		REEL, 75" W/BLADES
	SN5575		REEL, 90" W/BLADES
	SN5523		REEL, 45"
	SN5524		REEL, 60"
	SN5525		REEL, 75"
	SN5526		REEL, 90"
28	SN108		COTTER PIN, 5/16" X 2 1/2", Y/D
29	SN5894		REEL MOUNTING ARM, 57 1/4"
30	SN7000		ROD, HARROW ADJUSTMENT, Y/D
31	SN2078		SET SCREW, 1/2" X 1" SQUARE HEAD, Y/D
32	SN159		JAM NUT, 1/2"-13, GR 2, Y/D
33	SNFK361003		ADJUSTING ROD SPRING-LOWER
34	SNFK361002		SPRING, 1.8125" OD X 1.062" ID, 2 5/8" L
35	SN3938		LOCK NUT, 1"-8 HEX NYLON
36	SN6999		MOUNTING BRACKET
37	SN4885		SPACER BUSHING
38	SN821		HEX BOLT, 3/4"-10 X 5", GR 5 Y/D
39	SNFK351023		LOCK COLLAR, ADJUSTING ROD, Y/D

I0000580
PR: t05g29115b0034

RECOMMENDED DEALER STOCK

RECOMMENDED DEALER'S STOCK



ITEM	NUMBER	QTY	DESCRIPTION
-	SN1935	2	BEARING (LM501349)
-	SNYYB3471	2	BRG & FLANGE ASSY W/ZERK
-	SN5527	2	BUSHING
-	SN5845	1	DUAL LAMP, AMBER FRT/RR & RED RR, LT
-	SN5844	1	DUAL LAMP, AMBER FRT/RR & RED RR, RT
-	SN1610	1	DUST CAP, 2.448" OD, Y/D
-	SN3095	4	FLAT WASHER, 1 1/2" ID X 2 1/4" OD,
-	SN5847	1	HARNESS, 15' WISHBONE W/FLAT &
-	SN5846	1	HARNESS, 25' STR SEC, SHIELDED FESTOON
-	SN5848	1	HARNESS, 5' EXTENSION W/TRIAN-GULAR
-	SN5849	1	HARNESS, 5' EXTENSION W/TRIAN-GULAR
-	SN3302	2	HEX NUT, 1"-14 FULL SLOTTED GR 2, PLAIN
-	SN5370	1	HITCH CLEVIS BUSHING
-	SNFK150264	1	L-BOLT, 1" X 7" X 8", Y/D
-	SN5428	1	L-BOLT, 3/4"-10 X 9, Y/D
-	SNFK150257	1	L-BOLT, 5/8"-11 X 3 3/4" X 3 3/4", Y/D
-	SN3118	6	LUG BOLT, 9/16"-18 X 1 7/8" PRESS IN, PL
-	SN3117	6	LUG NUT, 9/16"-18, GR 5, 90 DEG TAPER,
-	SN1936	2	RACE (LM501310)
-	SN1605	2	RACE (LM67010)
-	SN8776-1	2	SEAL KIT, 3 3/4", 1 3/8" ROD, REPHASING
-	SN8779-1	2	SEAL KIT, 4", 1 3/4" ROD,
-	SN12052	2	SEAL KIT, 4", 1 3/4" ROD, CROSS
-	SN8781-1	2	SEAL KIT, 4", 1 3/8" ROD
-	SN3863	2	SHANK ASSY, S-TINE
-	SN3821	2	SHANK, 5/8" X 1 3/4" X 24" S-TINE
-	SN12257	2	SHANK, 5/8" X 1 3/4" X 24", FLAT
-	SN3820	2	SHANK, 9/16" X 1 3/4" X 24", ON EDGE
-	SN3300	1	SIX BOLT HUB ASSEMBLY W/3301 SEAL
-	SN7001	1	SMV EMBLEM
-	SN3895B	8	SPIKE TOOTH, 3/4" X 11"
-	SN3044	1	SPRING ASSEMBLY, 5000
-	SN7453	2	SPRING CLAMP, S-TINE
-	SN3055	5	SWEEP, 4" PLAIN CULTIVATOR (47 DEG)
-	SN3894	8	TRI-BEND BOLT, 3/8"-16 X 1 1/2", Y/D
-	SN3301	2	TRIPLE LIP SEAL
-	SN3090	2	TRUNNION BEARING COMPLETE
-	SN3091	2	TRUNNION BEARING REPLACEMENT
-	SNFK151053	1	U-BOLT, 1/2"-13 X 3 1/4" X 3 1/16" W,
-	SNR0G-014	1	U-BOLT, 1/2"-13 X 3" X 2 5/32"W, GR 5,
-	SN3754	1	U-BOLT, 3/4"-10 X 4 1/4" X 3 3/8" W,
-	SN3763	1	U-BOLT, 3/4"-10 X 5 3/4" X 6 3/4" W,
-	SN3755	1	U-BOLT, 3/4"-10 X 8 3/4" X 4 13/16"
-	SN5515	1	U-BOLT, 5/8"-11 X 4 1/2" X 3 5/8" W,
-	SN3306	1	U-BOLT, 5/8"-11 X 4 1/2" X 4 5/8" W,
-	SN3052	1	U-BOLT, 5/8"-11 X 5 5/8" X 4 3/4" W,
-	SN3061	2	WALKING BEAM BEARING (342A)
-	SN3062	2	WALKING BEAM RACE (332)
-	SN3063	2	WALKING BEAM SEAL (NAT.204035 C/R 22870)
-	SN3303	2	WASHER, 1 1/32" ID X 1 3/4" OD X
-	SN5156	4	WHEEL, 8 TOOTH LEFT LEVELING, BLACK
-	SN5155	4	WHEEL, 8 TOOTH RIGHT LEVELING, BLACK

NOTE: THIS PARTS STOCK LIST
INDICATES THOSE ITEMS RECOMMENDED
TO SERVICE ONE UNIT.

RDL
PR: t05g29115b0035

SUBSOILERS

PARTS CATALOG

**SUNFLOWER®
4010 / 4110 COULTER RIPPER**

4010/4110 COULTER RIPPER

CHOPPER REEL

CHOPPER REEL ASSEMBLY 59

FINISHING ATTACHMENTS

S-TINE SHANK ASSEMBLY 57
V-LEVELER ASSEMBLY 55

RECOMMENDED DEALER LIST

RECOMMENDED DEALER STOCK 63

SERVICE PARTS

AUTO RESET SHANK ASSEMBLY VERSION 1 27
AUTO RESET SHANK ASSEMBLY VERSION 2 31
C-FLEX STANDARD ASSEMBLY 21
COULTER GANG ASSEMBLY 17
MANUAL RESET SHANK ASSEMBLY 25
R21 AUTO RESET SHANK ASSEMBLY 35
SAFETY AND IDENTIFICATION DECALS 41
SIX BOLT HUB ASSEMBLY 15
TRASH BAR ASSEMBLY 23
3 3/4" X 8" CROSS SLAVE CYLINDER (VERSION 1, PRIOR TO 6/27/03) 43
3 3/4" X 8" CROSS SLAVE CYLINDER (VERSION 2, 6/27/03 & LATER) 45
3090 TRUNNION BEARING COMPLETE 19
4" X 16" CROSS LIFT CYLINDER (VERSION 1, PRIOR TO 9/16/03) 51
4" X 16" CROSS LIFT CYLINDER (VERSION 2, 9/16/03 & LATER) 53
4" X 8" CROSS MASTER CYLINDER (VERSION 1, PRIOR TO 8/12/03) 47
4" X 8" CROSS MASTER CYLINDER (VERSION 2, 8/12/03 & LATER) 49
4010 & 4110 HYDRAULIC SYSTEM 37
4010 FRAME ASSEMBLY 7
4010 LIFT AXLE ASSEMBLY 11
4110 FRAME ASSEMBLY 9
4110 LIFT AXLE ASSEMBLY 13

4010/4110 COULTER RIPPER

3
INDEX

Part No.	Page	Grid	Part No.	Page	Grid	Part No.	Page	Grid	Part No.	Page	Grid
SNFK150013	29	1-B 8	SN12048	53	1-B 11	SN1936	63	1-B 12	SN3067	17	1-B 7
SNFK150013	33	1-B 9	SN12053	53	1-B 11	SN1937	15	1-B 7	SN3087	17	1-B 7
SNFK150144	7	1-B 6	SN12054	53	1-B 11	SN1944	15	1-B 7	SN3087	21	1-B 8
SNFK150144	9	1-B 6	SN12055	45	1-B 10	SN1946	27	1-B 8	SN3087	23	1-B 8
SNFK150157	7	1-B 6	SN12055	49	1-B 10	SN1946	31	1-B 9	SN3088	23	1-B 8
SNFK150157	9	1-B 6	SN12059	37	1-B 9	SN1946	39	1-B 9	SN3090	17	1-B 7
SNFK150173	59	1-B 11	SN12059	45	1-B 10	SN1946-1	27	1-B 8	SN3091	19	1-B 7
SNFK150219	7	1-B 6	SN1220	27	1-B 8	SN1946-1	31	1-B 9	SN3093	19	1-B 7
SNFK150219	9	1-B 6	SN1220	31	1-B 9	SN1990	17	1-B 7	SN3094	19	1-B 7
SNFK150264	61	1-B 12	SN1220	35	1-B 9	SN1990-1	17	1-B 7	SN3095	17	1-B 7
SNFK150264	63	1-B 12	SN1283	7	1-B 6	SN1997	17	1-B 7	SN3096	17	1-B 7
SNFK351023	61	1-B 12	SN1283	9	1-B 6	SN2036	17	1-B 7	SN3100	17	1-B 7
SNFK361002	35	1-B 9	SN1283	25	1-B 8	SN2037	17	1-B 7	SN3117	15	1-B 7
SNFK361002	61	1-B 12	SN1283	27	1-B 8	SN2073	11	1-B 7	SN3117	63	1-B 12
SNFK361003	61	1-B 12	SN1283	29	1-B 8	SN2073	13	1-B 7	SN3118	15	1-B 7
SNFK501164	59	1-B 11	SN1283	31	1-B 9	SN2078	61	1-B 12	SN3118	63	1-B 12
SNFK501168	59	1-B 11	SN1283	33	1-B 9	SN2079	35	1-B 9	SN3152	7	1-B 6
SNFK501229	61	1-B 12	SN1283	35	1-B 9	SN2085	35	1-B 9	SN3152	9	1-B 6
SNFK503001	61	1-B 12	SN1283	37	1-B 9	SN2087	31	1-B 9	SN3158	39	1-B 9
SNHCS12131	29	1-B 8	SN1283	39	1-B 9	SN2095	29	1-B 8	SN3159	27	1-B 8
SNHCS12131	31	1-B 9	SN1283	61	1-B 12	SN2096	7	1-B 6	SN3159	31	1-B 9
SN1038	31	1-B 9	SN1300	27	1-B 8	SN2098-1	7	1-B 6	SN3159	39	1-B 9
SN1040	7	1-B 6	SN1308	57	1-B 11	SN2098-3	11	1-B 7	SN3160	39	1-B 9
SN1040	9	1-B 6	SN1345	17	1-B 7	SN2098-4	37	1-B 9	SN3161	39	1-B 9
SN1040	11	1-B 7	SN1345	21	1-B 8	SN2098-5	35	1-B 9	SN3163	37	1-B 9
SN1040	13	1-B 7	SN1345	23	1-B 8	SN2098-6	27	1-B 8	SN3163	55	1-B 11
SN1040	17	1-B 7	SN1345	25	1-B 8	SN2148	55	1-B 11	SN3164	7	1-B 6
SN1040	21	1-B 8	SN1357	27	1-B 8	SN2148	61	1-B 12	SN3164	9	1-B 6
SN1040	23	1-B 8	SN1357	31	1-B 9	SN2194	17	1-B 7	SN3164	37	1-B 9
SN1040	25	1-B 8	SN1456	59	1-B 11	SN2316	7	1-B 6	SN3164	39	1-B 9
SN1040	27	1-B 8	SN1484	21	1-B 8	SN2316	9	1-B 6	SN3164	43	1-B 10
SN1040	29	1-B 8	SN1507	23	1-B 8	SN2316	39	1-B 9	SN3164	45	1-B 10
SN1040	31	1-B 9	SN155	7	1-B 6	SN2339	37	1-B 9	SN3164	47	1-B 10
SN1040	33	1-B 9	SN155	9	1-B 6	SN2378	7	1-B 6	SN3164	49	1-B 10
SN1040	35	1-B 9	SN156	7	1-B 6	SN2378-2	7	1-B 6	SN3164	51	1-B 11
SN1040	55	1-B 11	SN156	9	1-B 6	SN2425	37	1-B 9	SN3164	53	1-B 11
SN1040	59	1-B 11	SN1570-1	11	1-B 7	SN2426	37	1-B 9	SN3164	55	1-B 11
SN1040	61	1-B 12	SN1570-1	13	1-B 7	SN245	13	1-B 7	SN3273	17	1-B 7
SN105	11	1-B 7	SN1571	11	1-B 7	SN245	25	1-B 8	SN3273	63	1-B 12
SN105	13	1-B 7	SN1571	13	1-B 7	SN245	31	1-B 9	SN3298	15	1-B 7
SN106	7	1-B 6	SN159	25	1-B 8	SN245	39	1-B 9	SN3299	15	1-B 7
SN106	9	1-B 6	SN159	61	1-B 12	SN2561	27	1-B 8	SN3300	15	1-B 7
SN106	11	1-B 7	SN1599	59	1-B 11	SN2561	31	1-B 9	SN3300	63	1-B 12
SN106	13	1-B 7	SN1605	15	1-B 7	SN2584	55	1-B 11	SN3301	15	1-B 7
SN106	21	1-B 8	SN1605	63	1-B 12	SN2585	15	1-B 7	SN3301	63	1-B 12
SN106	25	1-B 8	SN1606	15	1-B 7	SN2723B	17	1-B 7	SN3302	15	1-B 7
SN106	27	1-B 8	SN1606	63	1-B 12	SN2755	59	1-B 11	SN3302	63	1-B 12
SN106	29	1-B 8	SN1609	7	1-B 6	SN2755	63	1-B 12	SN3303	15	1-B 7
SN106	31	1-B 9	SN1609	9	1-B 6	SN2812-1	17	1-B 7	SN3306	55	1-B 11
SN106	33	1-B 9	SN1609	25	1-B 8	SN2812-1	63	1-B 12	SN3330	13	1-B 7
SN106	35	1-B 9	SN1610	15	1-B 7	SN2814	17	1-B 7	SN3331	13	1-B 7
SN106	55	1-B 11	SN1610	63	1-B 12	SN2840	23	1-B 8	SN3335	25	1-B 8
SN106	59	1-B 11	SN1652	7	1-B 6	SN2843	23	1-B 8	SN3457	7	1-B 6
SN106	61	1-B 12	SN1652	9	1-B 6	SN2844	23	1-B 8	SN3457	9	1-B 6
SN108	17	1-B 7	SN1672	55	1-B 11	SN2867	7	1-B 6	SN3458	7	1-B 6
SN108	59	1-B 11	SN1678	35	1-B 9	SN2867	9	1-B 6	SN3458	9	1-B 6
SN109	7	1-B 6	SN1697	35	1-B 9	SN2893	39	1-B 9	SN3474	23	1-B 8
SN110	7	1-B 6	SN1723	35	1-B 9	SN2893	55	1-B 11	SN3476	23	1-B 8
SN110	9	1-B 6	SN175	37	1-B 9	SN2992	13	1-B 7	SN3478	37	1-B 9
SN110	25	1-B 8	SN1753	29	1-B 8	SN302	15	1-B 7	SN3479	37	1-B 9
SN110	27	1-B 8	SN1753	33	1-B 9	SN302	57	1-B 11	SN3480	39	1-B 9
SN110	29	1-B 8	SN1753	35	1-B 9	SN303	15	1-B 7	SN3481	7	1-B 6
SN110	31	1-B 9	SN1753	37	1-B 9	SN303	57	1-B 11	SN3481	9	1-B 6
SN110	33	1-B 9	SN176	37	1-B 9	SN305	57	1-B 11	SN3482	7	1-B 6
SN110	35	1-B 9	SN1765	7	1-B 6	SN3050	57	1-B 11	SN3482	9	1-B 6
SN110	39	1-B 9	SN1765	9	1-B 6	SN3055	57	1-B 11	SN3483	7	1-B 6
SN110	61	1-B 12	SN1823	25	1-B 8	SN3055	63	1-B 12	SN3483	9	1-B 6
SN1122	25	1-B 8	SN1823	59	1-B 11	SN3058	15	1-B 7	SN3485	7	1-B 6
SN113	29	1-B 8	SN1849	25	1-B 8	SN3061	13	1-B 7	SN3485	9	1-B 6
SN113	31	1-B 9	SN1849	37	1-B 9	SN3062	13	1-B 7	SN3485	39	1-B 9
SN12033	45	1-B 10	SN1881	7	1-B 6	SN3063	13	1-B 7	SN3568	57	1-B 11
SN12033	49	1-B 10	SN1881	9	1-B 6	SN3066	7	1-B 6	SN3577	15	1-B 7
SN12047	37	1-B 9	SN1935	15	1-B 7	SN3066	9	1-B 6	SN3580	15	1-B 7
SN12047	49	1-B 10	SN1935	63	1-B 12	SN3066	13	1-B 7	SN3581	15	1-B 7
SN12048	37	1-B 9	SN1936	15	1-B 7	SN3066	15	1-B 7	SN3582	15	1-B 7

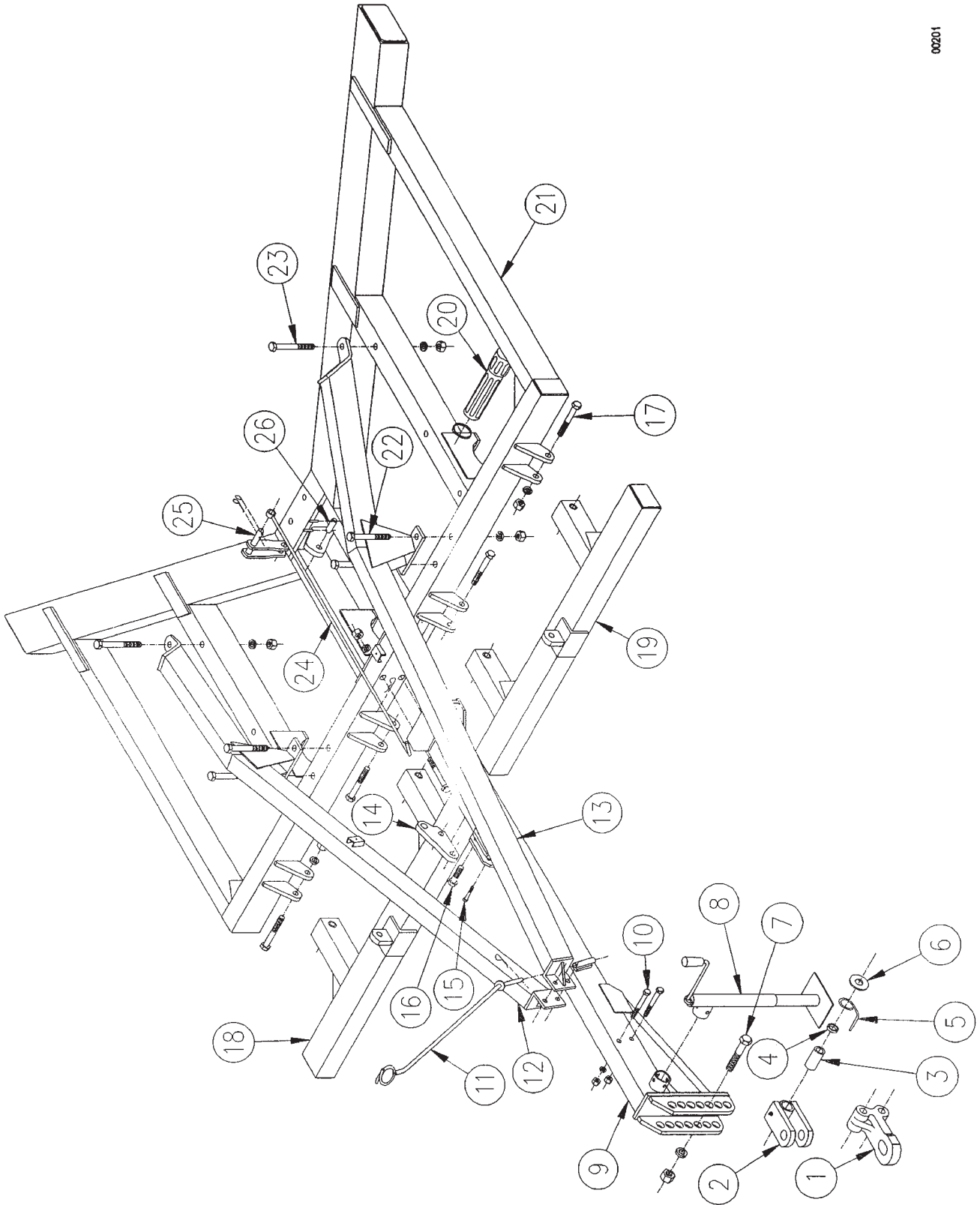
INDEX

Part No.	Page	Grid	Part No.	Page	Grid	Part No.	Page	Grid	Part No.	Page	Grid
SN3587	15	1-B 7	SN5068	27	1-B 8	SN5364	35	1-B 9	SN5661	33	1-B 9
SN3588	15	1-B 7	SN5068	31	1-B 9	SN5365	27	1-B 8	SN5741	55	1-B 11
SN3678	23	1-B 8	SN5070	27	1-B 8	SN5366	27	1-B 8	SN5862	55	1-B 11
SN3750	7	1-B 6	SN5070	31	1-B 9	SN5367	27	1-B 8	SN5862	61	1-B 12
SN3750	9	1-B 6	SN5070	35	1-B 9	SN5370	7	1-B 6	SN5863	55	1-B 11
SN3755	55	1-B 11	SN5072	27	1-B 8	SN5370	9	1-B 6	SN5863	61	1-B 12
SN3763	55	1-B 11	SN5077	27	1-B 8	SN5370	63	1-B 12	SN5864	61	1-B 12
SN3765	7	1-B 6	SN5077	31	1-B 9	SN5371	7	1-B 6	SN5865	61	1-B 12
SN3765	9	1-B 6	SN5080	27	1-B 8	SN5371	9	1-B 6	SN5866	55	1-B 11
SN3766	55	1-B 11	SN5080	31	1-B 9	SN5372	17	1-B 7	SN5867	55	1-B 11
SN3767	55	1-B 11	SN5080	35	1-B 9	SN5372	21	1-B 8	SN5868	55	1-B 11
SN3768	55	1-B 11	SN5081	25	1-B 8	SN5372	23	1-B 8	SN5869	55	1-B 11
SN3769	55	1-B 11	SN5081	27	1-B 8	SN5373	21	1-B 8	SN5871	55	1-B 11
SN3771	55	1-B 11	SN5081	31	1-B 9	SN5376	29	1-B 8	SN5872	55	1-B 11
SN3772	55	1-B 11	SN5081	35	1-B 9	SN5377	29	1-B 8	SN5873	55	1-B 11
SN3785	39	1-B 9	SN5089	25	1-B 8	SN5378	29	1-B 8	SN5874	55	1-B 11
SN3785	55	1-B 11	SN5089	29	1-B 8	SN5379	23	1-B 8	SN5875	57	1-B 11
SN3807	7	1-B 6	SN5089	33	1-B 9	SN5380	17	1-B 7	SN5884	59	1-B 11
SN3821	57	1-B 11	SN5089	35	1-B 9	SN5381	17	1-B 7	SN5885	59	1-B 11
SN3821	63	1-B 12	SN5202	25	1-B 8	SN5382	7	1-B 6	SN5894	59	1-B 11
SN3880	37	1-B 9	SN5202	29	1-B 8	SN5383	7	1-B 6	SN6275	25	1-B 8
SN3880	39	1-B 9	SN5202	33	1-B 9	SN5385	7	1-B 6	SN6275	33	1-B 9
SN3880	55	1-B 11	SN5202	35	1-B 9	SN5385	9	1-B 6	SN6275	35	1-B 9
SN3881	37	1-B 9	SN5202	63	1-B 12	SN5385	39	1-B 9	SN6276	25	1-B 8
SN3881	39	1-B 9	SN5226	55	1-B 11	SN5385	55	1-B 11	SN6276	33	1-B 9
SN3881	55	1-B 11	SN5226	61	1-B 12	SN5388	39	1-B 9	SN6276	35	1-B 9
SN3938	25	1-B 8	SN5273	25	1-B 8	SN5389	39	1-B 9	SN6277	25	1-B 8
SN3938	27	1-B 8	SN5273	29	1-B 8	SN5390	39	1-B 9	SN6277	33	1-B 9
SN3938	31	1-B 9	SN5273	33	1-B 9	SN5391	25	1-B 8	SN6277	35	1-B 9
SN3938	35	1-B 9	SN5273	35	1-B 9	SN5392	25	1-B 8	SN6277	63	1-B 12
SN3938	39	1-B 9	SN5273	63	1-B 12	SN5396	25	1-B 8	SN6311	59	1-B 11
SN3938	61	1-B 12	SN5274	25	1-B 8	SN5397	25	1-B 8	SN669-1	35	1-B 9
SN3939	39	1-B 9	SN5274	29	1-B 8	SN5398	25	1-B 8	SN669-1	55	1-B 11
SN3958	23	1-B 8	SN5274	33	1-B 9	SN5399	25	1-B 8	SN669-1	57	1-B 11
SN4090002	37	1-B 9	SN5274	35	1-B 9	SN5400	25	1-B 8	SN669-1	59	1-B 11
SN4150005	37	1-B 9	SN5274	63	1-B 12	SN5401	25	1-B 8	SN6833	35	1-B 9
SN4168002	37	1-B 9	SN5285	27	1-B 8	SN5416	13	1-B 7	SN6834	35	1-B 9
SN4437	37	1-B 9	SN5286	29	1-B 8	SN5417	7	1-B 6	SN6835	35	1-B 9
SN4437	47	1-B 10	SN5286	31	1-B 9	SN5417	9	1-B 6	SN6836	35	1-B 9
SN4438	37	1-B 9	SN5287	29	1-B 8	SN5419	35	1-B 9	SN6837R	35	1-B 9
SN4438	43	1-B 10	SN5288	25	1-B 8	SN5425	35	1-B 9	SN6838	35	1-B 9
SN4441	37	1-B 9	SN5288	29	1-B 8	SN5432	29	1-B 8	SN6839	35	1-B 9
SN4441	51	1-B 11	SN5288	33	1-B 9	SN5432	33	1-B 9	SN6840	35	1-B 9
SN4454	37	1-B 9	SN5288	35	1-B 9	SN5432	35	1-B 9	SN6841	35	1-B 9
SN4455	37	1-B 9	SN5289	25	1-B 8	SN5433	25	1-B 8	SN6842	35	1-B 9
SN4458	43	1-B 10	SN5289	29	1-B 8	SN5434	19	1-B 7	SN6843	35	1-B 9
SN4458	45	1-B 10	SN5289	33	1-B 9	SN5511	59	1-B 11	SN6844	35	1-B 9
SN4458	47	1-B 10	SN5289	35	1-B 9	SN5512	59	1-B 11	SN6845	35	1-B 9
SN4458	49	1-B 10	SN5334	7	1-B 6	SN5515	59	1-B 11	SN6999	61	1-B 12
SN4464	37	1-B 9	SN5337	19	1-B 7	SN5519	25	1-B 8	SN7000	59	1-B 11
SN4781	9	1-B 6	SN5338	19	1-B 7	SN5524	59	1-B 11	SN7001	25	1-B 8
SN4789	59	1-B 11	SN5339	37	1-B 9	SN5525	59	1-B 11	SN7001	35	1-B 9
SN4884R	61	1-B 12	SN5339	43	1-B 10	SN5526	59	1-B 11	SN7001	63	1-B 12
SN4885	61	1-B 12	SN5339	45	1-B 10	SN5527B	59	1-B 11	SN71L-2901	59	1-B 11
SN4924	19	1-B 7	SN5339	47	1-B 10	SN5527B	63	1-B 12	SN821	61	1-B 12
SN4925	19	1-B 7	SN5339	49	1-B 10	SN5529	59	1-B 11	SN8610-1	43	1-B 10
SN4971	17	1-B 7	SN5339	51	1-B 11	SN5545	59	1-B 11	SN8610-1	45	1-B 10
SN4971B	21	1-B 8	SN5339	53	1-B 11	SN5546	59	1-B 11	SN8610-1	47	1-B 10
SN4971B	23	1-B 8	SN5340	51	1-B 11	SN5547	59	1-B 11	SN8610-1	49	1-B 10
SN5022	25	1-B 8	SN5340	53	1-B 11	SN5548	27	1-B 8	SN8619-1	51	1-B 11
SN5023	25	1-B 8	SN5352	9	1-B 6	SN5573	59	1-B 11	SN8619-1	53	1-B 11
SN5024	25	1-B 8	SN5355	7	1-B 6	SN5574	59	1-B 11	SN8631-1	43	1-B 10
SN5025	25	1-B 8	SN5357	11	1-B 7	SN5575	59	1-B 11	SN8631-1	45	1-B 10
SN5028	25	1-B 8	SN5358	9	1-B 6	SN5633	55	1-B 11	SN8631-1	47	1-B 10
SN5062	27	1-B 8	SN5359	9	1-B 6	SN5635	31	1-B 9	SN8631-1	49	1-B 10
SN5062	31	1-B 9	SN5360	7	1-B 6	SN5636	31	1-B 9	SN8631-1	51	1-B 11
SN5063	27	1-B 8	SN5361	7	1-B 6	SN5637	31	1-B 9	SN8631-1	53	1-B 11
SN5063	31	1-B 9	SN5362	27	1-B 8	SN5653	31	1-B 9	SN8634-1	51	1-B 11
SN5063	35	1-B 9	SN5362	31	1-B 9	SN5654	31	1-B 9	SN8634-1	53	1-B 11
SN5064	29	1-B 8	SN5362	35	1-B 9	SN5655	31	1-B 9	SN8635-1	51	1-B 11
SN5065	27	1-B 8	SN5363	27	1-B 8	SN5656	33	1-B 9	SN8635-1	53	1-B 11
SN5066	27	1-B 8	SN5363	31	1-B 9	SN5657	33	1-B 9	SN8636-1	51	1-B 11
SN5066	31	1-B 9	SN5363	35	1-B 9	SN5658	33	1-B 9	SN8636-1	53	1-B 11
SN5067	27	1-B 8	SN5364	29	1-B 8	SN5659	31	1-B 9	SN8640-1	51	1-B 11
SN5067	31	1-B 9	SN5364	33	1-B 9	SN5660	31	1-B 9	SN8643-1	53	1-B 11

4010 & 4110 COULTER RIPPER
SERVICE PARTS

4010 FRAME ASSEMBLY

00201



**4010 & 4110 COULTER RIPPER
SERVICE PARTS**

7

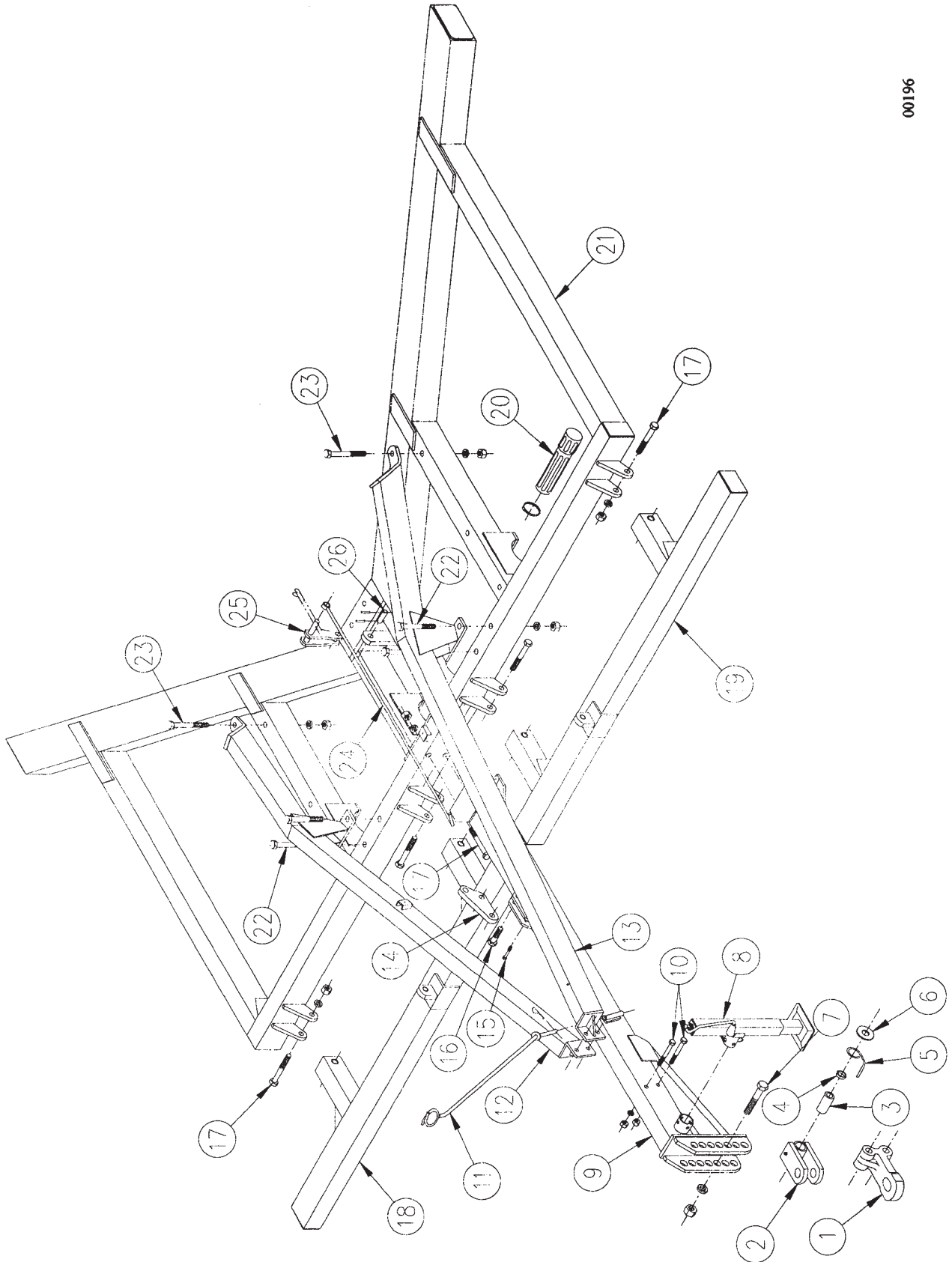
4010 FRAME ASSEMBLY

ITEM	NUMBER	QTY	DESCRIPTION
1	SN5334		CAST SINGLE LIP HITCH, 1 1/2" HOLE
2	SN3807		DOUBLE LIP HITCH 4", 1 1/4" HOLE
	SN1765		DOUBLE LIP HITCH 4", 1 13/16" HOLE
	SN2098-1		1/8" NPT GREASE ZERK, 5/8" LONG
3	SN5370		HITCH CLEVIS BUSHING
4	SN5417		HITCH CLEVIS HOLDER BUSHING
5	SN3152		HITCH CLEVIS HOLDER
6	SN1881		1 1/2" FLAT WASHER
7	SNFK150219		1 1/4" X 7 1/2" HEX BOLT
	SNFK150157		1 1/4" LOCK WASHER
	SNFK150144		1 1/4" HEX NUT
8	SN2378		LONG TONGUE JACK W/TUBE MOUNT
	SN2378-2		TONGUE JACK PIN
9	SN5371		TONGUE
10	SN916		3/4" X 6" HEX BOLT
	SN1040		3/4" LOCK WASHER
	SN106		3/4" HEX NUT
11	SN1652		HOSE HOLDER ROD
	SN1609		COTTER PIN, 3/16" X 1 1/2"
12	SN3457		TONGUE BRACE, RIGHT
13	SN3458		TONGUE BRACE, LEFT
14	SN3483		CYLINDER BLOCK
15	SN156		1/2" X 3" HEX BOLT
	SN2096		1/2" LOCK NUT
16	SN155		1" X 3 1/2" HEX BOLT
	SN1283		1" LOCK WASHER
	SN110		1" HEX NUT
17	SN109		1" X 7" HEX BOLT
	SN1283		1" LOCK WASHER
	SN110		1" HEX NUT
18	SN5382		RIGHT GANG BAR, 61"
	SN5360		RIGHT GANG BAR, 74 1/2"
19	SN5383		LEFT GANG BAR, 61"
	SN5361		LEFT GANG BAR, 74 1/2"
20	SN3750		OPERATOR'S MANUAL TUBE
	SN3765		HOSE CLAMP, 3 1/2"
21	SN5355		CENTER FRAME, 4010
22	SN3485		1" X 8" HEX BOLT
	SN1283		1" LOCK WASHER
	SN110		1" HEX NUT
23	SN2316		1" X 8 1/2" HEX BOLT
	SN1283		1" LOCK WASHER
	SN110		1" HEX NUT
24	SN3481		TRANSPORT LEVER
	SN2867		1/2" PIN CLIP
25	SN3482		TRANSPORT LOCK
	SN3066		COTTER PIN, 7/32" X 1 1/2"
26	SN5385		1" X 3" PIN
	SN3164		5/16" X 2" ROLL PIN

I0000201
PR: t05g29o29b0001

4010 & 4110 COULTER RIPPER
SERVICE PARTS

4110 FRAME ASSEMBLY



00196

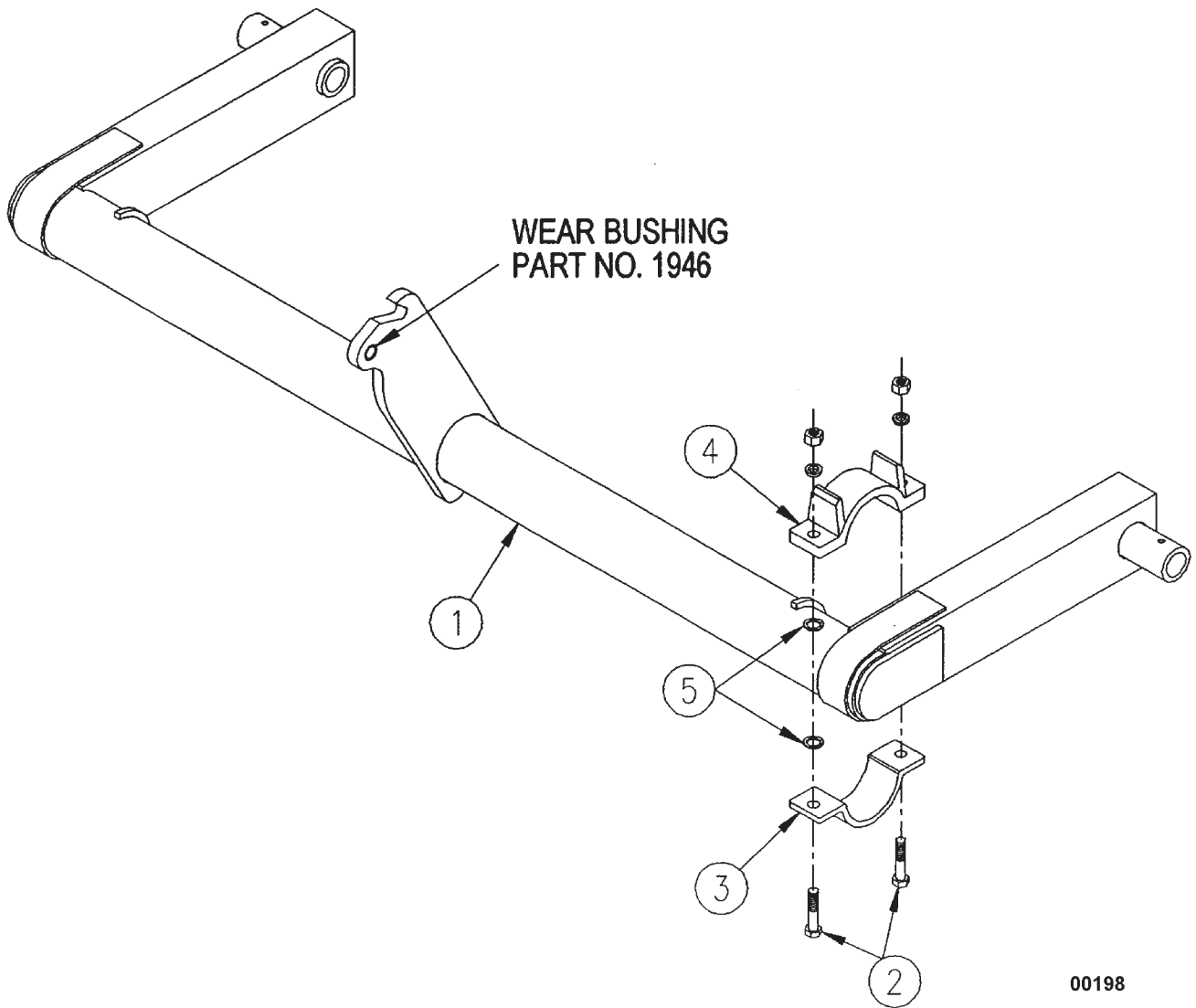
**4010 & 4110 COULTER RIPPER
SERVICE PARTS**

4110 FRAME ASSEMBLY

ITEM	NUMBER	QTY	DESCRIPTION
1	SN4781		CAST SINGLE LIP HITCH, 2" HOLE
2	SN1765		DOUBLE LIP HITCH, 4", 1 13/16" HOLE
	SN2098-1		1/8" NPT GREASE ZERK, 5/8" LONG
3	SN5370		HITCH CLEVIS BUSHING
4	SN5417		HITCH CLEVIS HOLDER BUSHING
5	SN3152		HITCH CLEVIS HOLDER
6	SN1881		1 1/2" FLAT WASHER
7	SNFK150219		1 1/4" X 7 1/2" HEX BOLT
	SNFK150157		1 1/4" LOCK WASHER
	SNFK150144		1 1/4" HEX NUT
8	SN9777		LONG TONGUE JACK, SQ W/TUBE MOUNT
9	SN5371		TONGUE
10	SN916		3/4" X 6" HEX BOLT
	SN1040		3/4" LOCK WASHER
	SN106		3/4" HEX NUT
11	SN1652		HOSE HOLDER ROD
	SN1609		COTTER PIN, 3/16" X 1 1/2"
12	SN3457		TONGUE BRACE, RIGHT
13	SN3458		TONGUE BRACE, LEFT
14	SN3483		CYLINDER BLOCK
15	SN156		1/2" X 3" HEX BOLT
	SN2096		1/2" LOCK NUT
16	SN155		1" X 3 1/2" HEX BOLT
	SN1283		1" LOCK WASHER
	SN110		1" HEX NUT
17	SN109		1" X 7" HEX BOLT
	SN1283		1" LOCK WASHER
	SN110		1" HEX NUT
18	SN5358		RIGHT GANG BAR, 97"
19	SN5359		LEFT GANG BAR, 97"
20	SN3750		OPERATOR'S MANUAL TUBE
	SN3765		HOSE CLAMP, 3 1/2"
21	SN5352		CENTER FRAME, 4110
22	SN3485		1" X 8" HEX BOLT
	SN1283		1" LOCK WASHER
	SN110		1" HEX NUT
23	SN2316		1" X 8 1/2" HEX BOLT
	SN1283		1" LOCK WASHER
	SN110		1" HEX NUT
24	SN3481		TRANSPORT LEVER
	SN2867		1/2" PIN CLIP
25	SN3482		TRANSPORT LOCK
	SN3066		7/32" X 1 1/2" COTTER PIN
26	SN5385		1" X 3" PIN
	SN3164		5/16" X 2" ROLL PIN

I0000196
PR: t05g29o29b0002

4010 LIFT AXLE ASSEMBLY



**4010 & 4110 COULTER RIPPER
SERVICE PARTS**

11

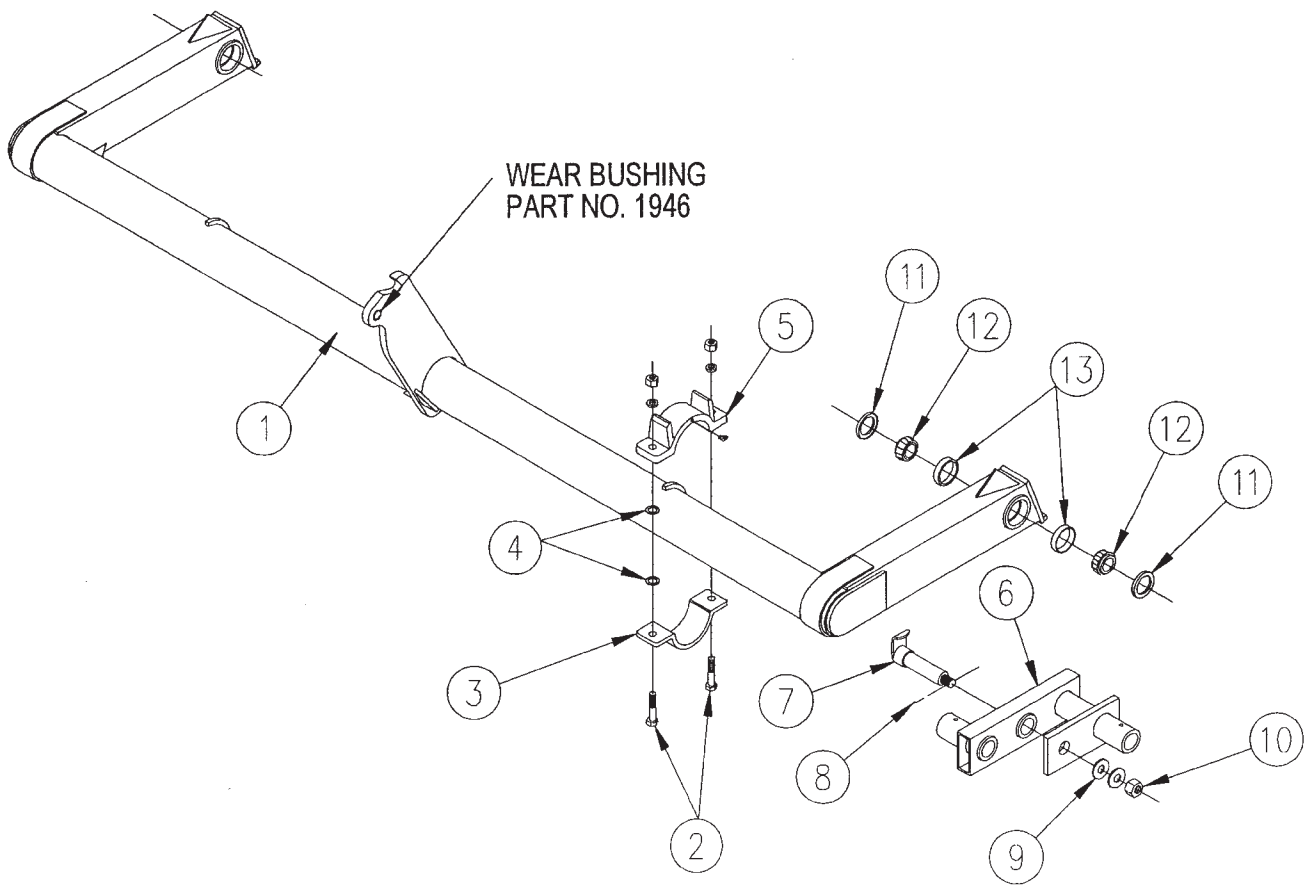
4010 LIFT AXLE ASSEMBLY

ITEM	NUMBER	QTY	DESCRIPTION
1	SN5357		CENTER LIFT, 89"
2	SN105		3/4" X 3 1/2" HEX BOLT
	SN1040		3/4" LOCK WASHER
	SN106		3/4" HEX NUT
3	SN1571		BOTTOM CLAMP
4	SN1570-1		TOP CLAMP W/SIDE ZERK HOLE
	SN2098-3		GREASE ZERK, 1/8" NPT 45 DEG.
5	SN2073		MACHINE BUSHING, 1 1/2" O.D. X 1" I.D.

I0000198
PR: t05g29o29b0003

4010 & 4110 COULTER RIPPER
SERVICE PARTS

4110 LIFT AXLE ASSEMBLY



**4010 & 4110 COULTER RIPPER
SERVICE PARTS**

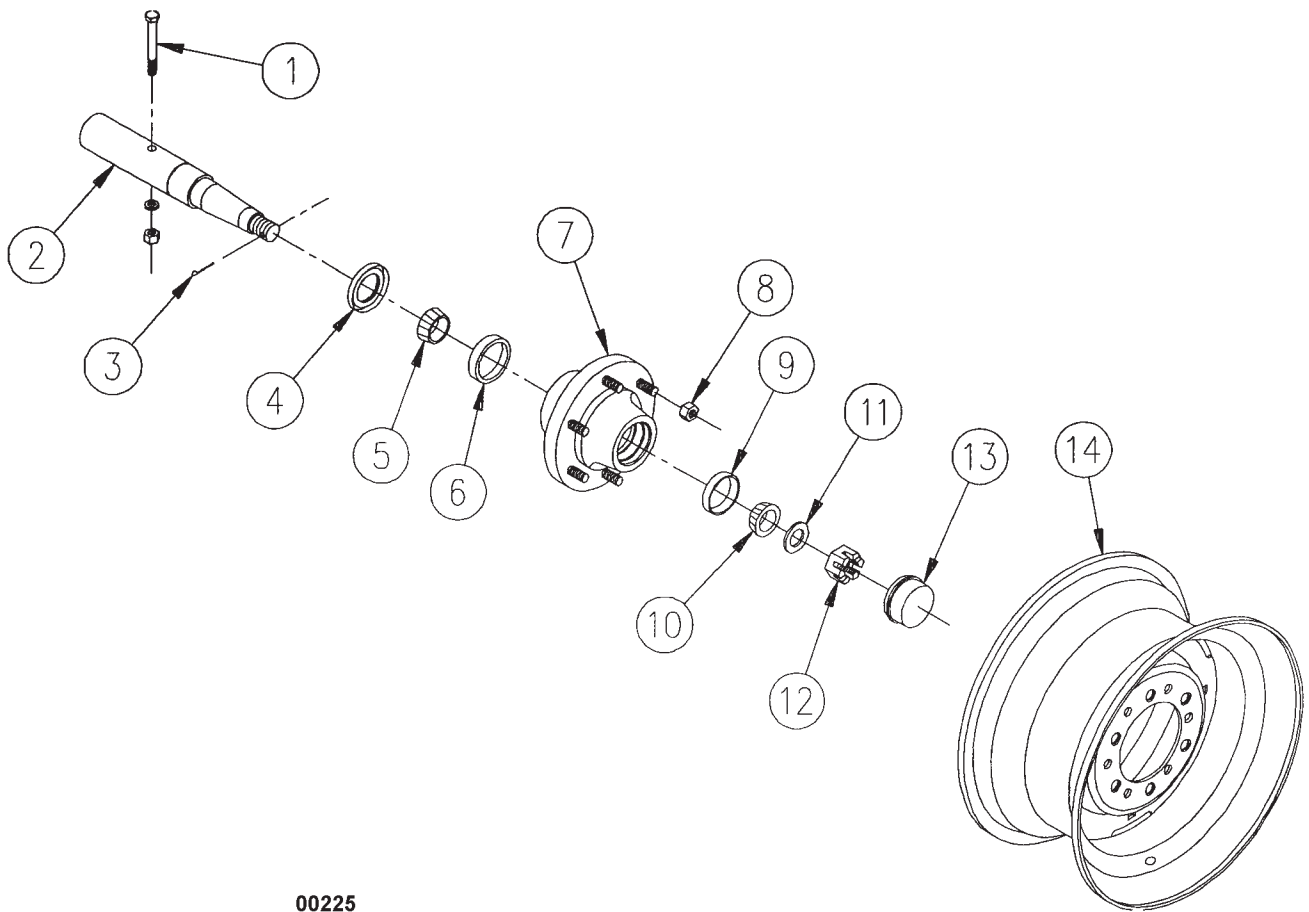
13

4110 LIFT AXLE ASSEMBLY

ITEM	NUMBER	QTY	DESCRIPTION
1	SN5416		CENTER LIFT
2	SN105		3/4" X 3 1/2" HEX BOLT
	SN1040		3/4" LOCK WASHER
	SN106		3/4" HEX NUT
3	SN1571		BOTTOM CLAMP
4	SN2073		MACHINE BUSHING, 1 1/2" O.D. X 1" I.D.
5	SN1570-1		TOP CLAMP W/SIDE ZERK HOLE
	SN2098-3		GREASE ZERK, 1/8" NPT 45 DEG.
6	SN3330		TANDEM PIVOT
7	SN3331		2" X 9 7/8" TANDEM PIVOT SPINDLE
8	SN3066		7/32" X 1 COTTER PIN
9	SN245		1" FLAT WASHER
10	SN2992		1" SLOTTED FULL NUT
11	SN3063		WALKING BEAM SEAL (NAT. 204035 C/R 22870)
12	SN3061		WALKING BEAM BEARING (342A)
13	SN3062		WALKING BEAM RACE (332)

I0000226
PR: t05g29o29b0004

SIX BOLT HUB ASSEMBLY



00225

**4010 & 4110 COULTER RIPPER
SERVICE PARTS**

15

SIX BOLT HUB ASSEMBLY

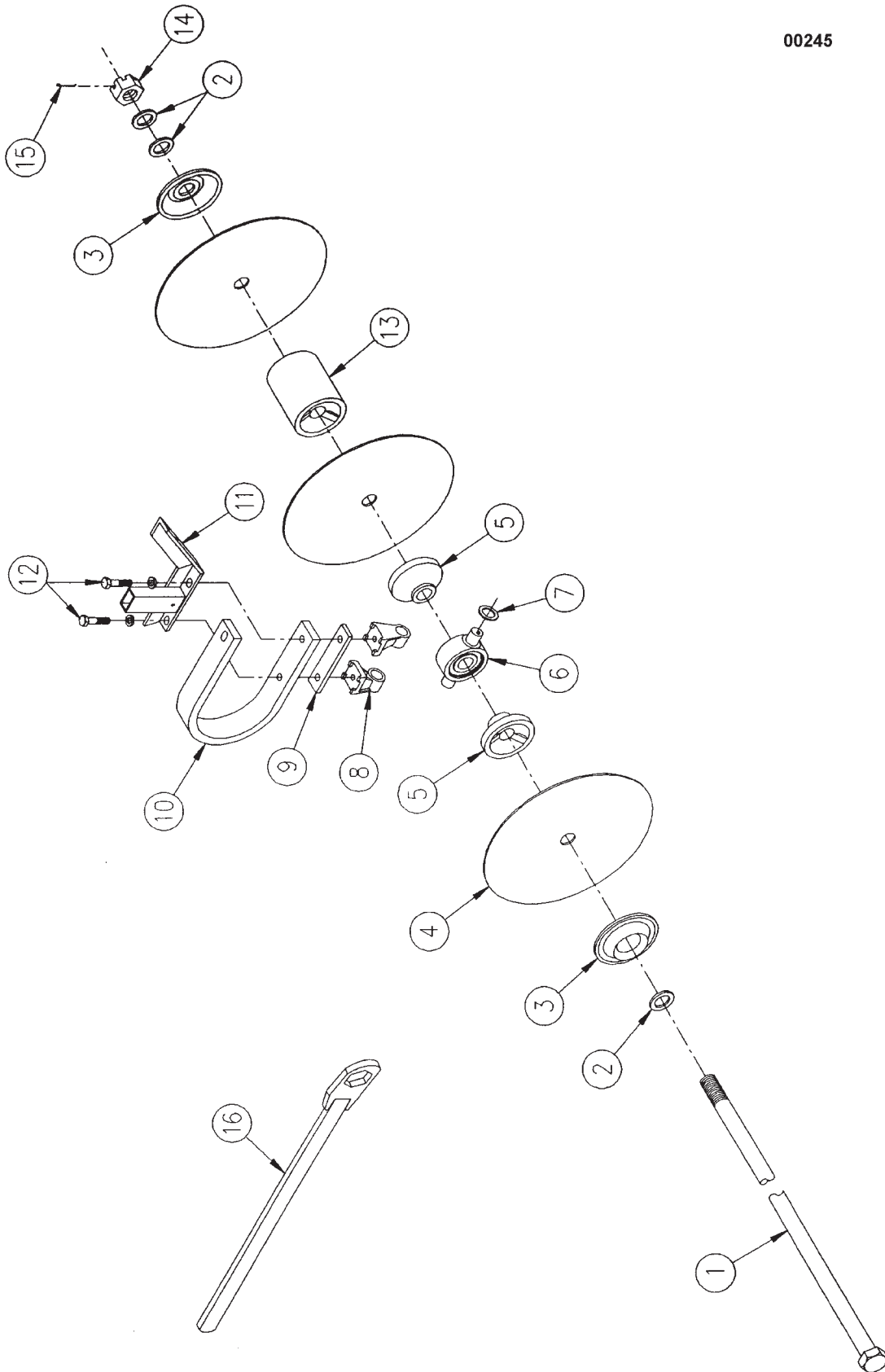
ITEM	NUMBER	QTY	DESCRIPTION
1	SN2585		7/16" X 3 1/2" HEX BOLT
	SN302		7/16" LOCK WASHER
	SN303		7/16" HEX NUT
2	SN3299		2" X 13 1/4" SPINDLE (4010)
	SN3298		2" X 11 1/4" SPINDLE (4110)
3	SN3066		7/32" X 1 1/2" COTTER PIN
4	SN3301		TRIPLE LIP SEAL
5	SN1935		INNER BEARING (LM501349)
6	SN1936		INNER RACE (LM501310)
7	SN1937		SIX BOLT HUB
	SN3300		SIX BOLT HUB ASSEMBLY W/3301 SEAL (ITEMS 3 THRU 13)
8	SN3118		9/16" X 1 7/8" PRESS IN LUG BOLT
	SN3117		9/16" - 18 THREADED LUG NUT
9	SN1605		OUTER RACE (LM67010)
10	SN1606		OUTER BEARING (LM67048)
11	SN3303		1 1/32" I.D. X 1 3/4" O.D. WASHER
12	SN3302		1" SLOTTED FULL NUT
13	SN1610		DUST CAP
14	SN1944		WHEEL, 15 X 10, 6 BOLT
	SN3581		TIRE, 11L X 15, 12 PLY TUBELESS
	SN3587		TIRE, 11L, 12 PLY TUBELESS UNIROYAL W/15 X 10 WHEEL ASSEMBLY, 6 BOLT
	SN3582		TIRE, 12.5L X 15, 10 PLY TUBELESS
	SN3588		TIRE, 12.5L, 12 PLY TUBELESS UNIROYAL W/15 X 12 WHEEL ASSEMBLY, 6 BOLT
	SN3580		TIRE, 11L X 15, 8 PLY TUBELESS
	SN3058		TIRE, 11L, 8 PLY TUBELESS UNIROYAL W/15 X 10 WHEEL ASSEMBLY, 6 BOLT
	SN3577		VALVE STEM

I0000225
PR: t05g29o29b0005

4010 & 4110 COULTER RIPPER
SERVICE PARTS

COULTER GANG ASSEMBLY

00245



**4010 & 4110 COULTER RIPPER
SERVICE PARTS**

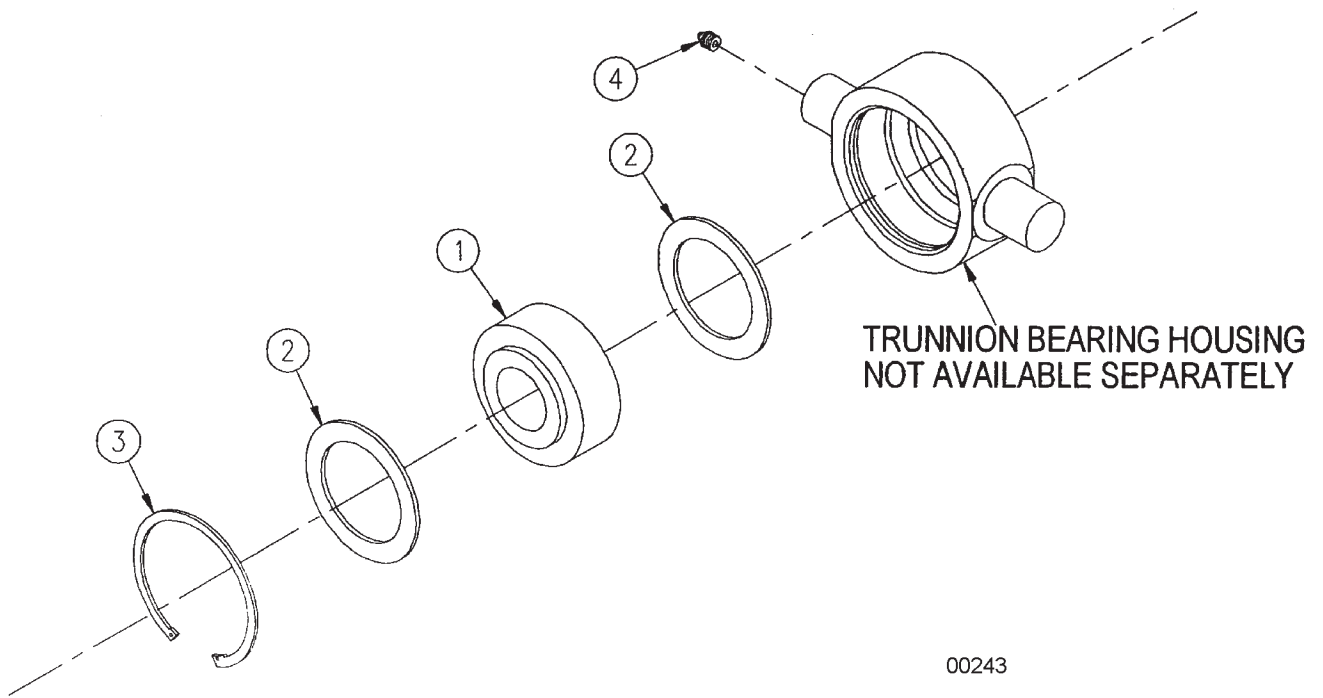
17

COULTER GANG ASSEMBLY

ITEM	NUMBER	QTY	DESCRIPTION
1	SN1990		66 1/2" SHAFT, 1 3/4" DIA. (9 BLADE 20" 6 GA.,4010)
	SN1990-1		67" SHAFT, 1 3/4" DIA. (9 BLADE 20" 4 GA. 4010)
	SN3067		81" SHAFT, 1 3/4" DIA. (11 BLADE 20" 6 GA 4010)
	SN1997		81 1/2" SHAFT, 1 3/4" DIA. (11 BLADE 20" 4 GA.,4010)
	SN5380		103 3/4" SHAFT, 1 3/4" DIA. (14 BLADE 20" 6 GA.,4110)
	SN5381		104 3/4" SHAFT, 1 3/4" DIA. (14 BLADE 20" 4 GA.,4110)
2	SN2037		1 13/16" I.D. X 2 13/16" O.D. FLAT WASHER
3	SN2723B		SPRING END COLLAR, 1 3/4" BORE
4	SN2812-1		20" COULTER BLADE, 1 3/4" BORE, 6 GA.
	SN3273		19.94" COULTER BLADE, 1 3/4" BORE, 4 GA.
5	SN3100		BEARING SPOOL
6	SN3090		TRUNNION BEARING COMPLETE
7	SN3095		1 1/2" I.D. X 2 1/4" O.D. FLAT WASHER
8	SN3096		TRUNNION BEARING MOUNT
9	SN5372		SHIM, 3/8" THICK
10	SN4971		C-FLEX SHANK, 1" X 3"
11	SN3087		FLAT TRASH BAR MOUNT
12	SN1345		3/4" X 3" HEX BOLT
	SN1040		3/4" LOCK WASHER
13	SN2814		FULL SPOOL
14	SN2036		1 3/4" SLOTTED HEX NUT
15	SN108		5/16" X 2 1/2" COTTER PIN
16	SN2194		2 3/4" GANG WRENCH

I0000245
PR: t05g29o29b0006

3090 TRUNNION BEARING COMPLETE



**4010 & 4110 COULTER RIPPER
SERVICE PARTS**

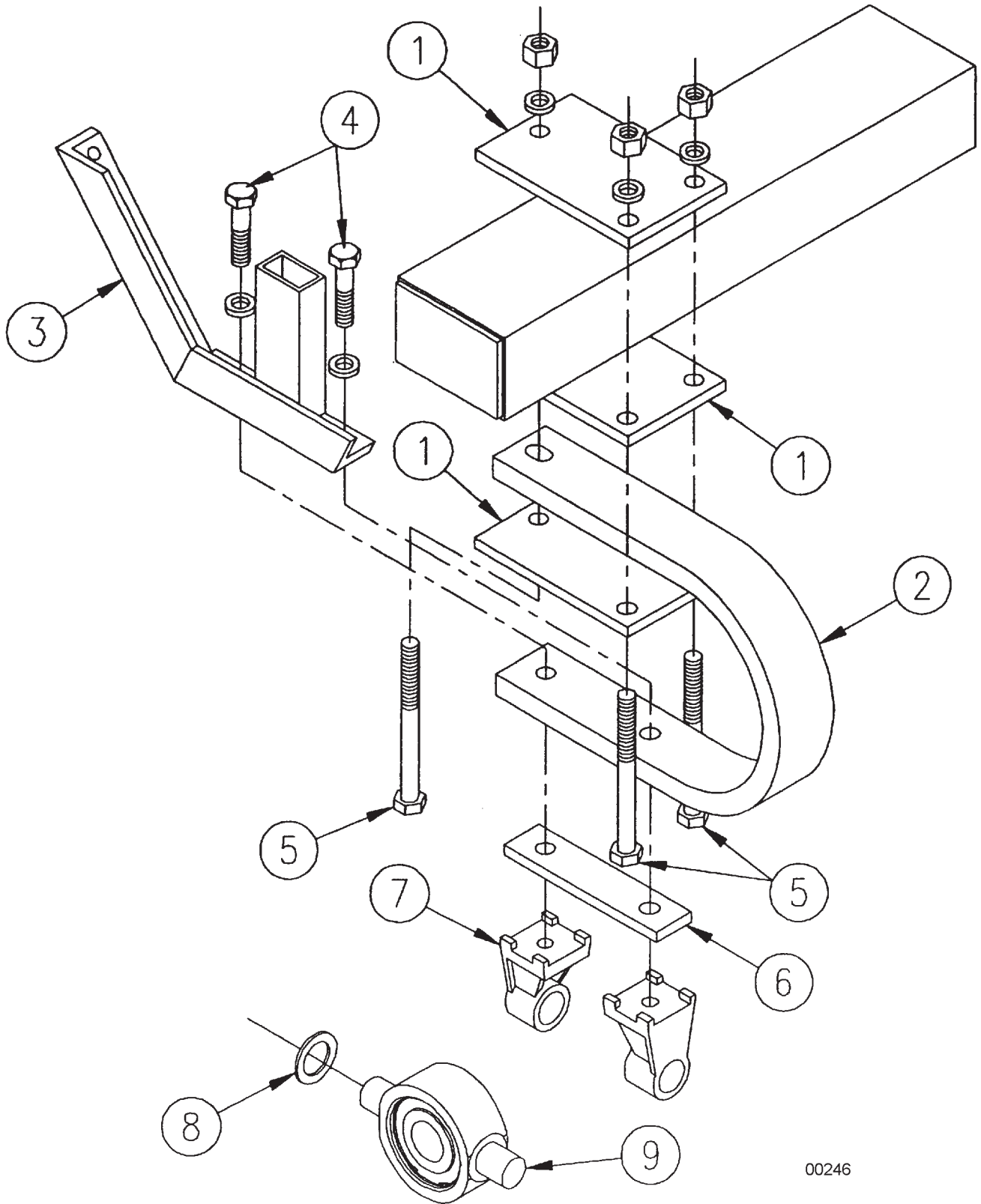
3090 TRUNNION BEARING COMPLETE

ITEM	NUMBER	QTY	DESCRIPTION
-	----	--	TRUNNION BEARING REPLACEMENT PARTS (SUNFLOWER HOUSING, BCA BEARING)
1	SN3091		TRUNNION BEARING REPLACEMENT (BCA - P.N. DC211TTR21)
2	SN4924		TRUNNION BEARING SHIELD (BCA)
3	SN3094		TRUNNION BEARING RETAINER (FAFNIR)
4	SN2098-1		1/8" GREASE ZERK
-	----	--	(SUNFLOWER HOUSING, BCA BEARING)
1	SN3091		TRUNNION BEARING REPLACEMENT (BCA - P.N. DC211TTR21)
2	SN4924		TRUNNION BEARING SHIELD (BCA)2.8375" I.D. X 3.929" O.D. X .100" THICK
3	SN4925		TRUNNION BEARING RETAINER(SUNFLOWER)
4	SN2098-1		1/8" GREASE ZERK
-	----	--	(SUNFLOWER HOUSING, SEAL MASTER BEARING)
1	SN5338		TRUNNION BEARING REPLACEMENT (SEAL MASTER - P.N. SK-1507)
2	SN5337		TRUNNION BEARING SHIELD (SEAL MASTER)
3	SN4925		TRUNNION BEARING RETAINER(SUNFLOWER)
4	SN2098-1		1/8" GREASE ZERK
-	----	--	(FAFNIR HOUSING, BCA BEARING)
1	SN3091		TRUNNION BEARING REPLACEMENT (BCA - P.N. DC211TTR21)
2	SN3093		TRUNNION BEARING SHIELD 2.805" I.D. X 3.929" O.D. X .1345" THICK
3	SN3094		TRUNNION BEARING RETAINER (FAFNIR)
4	SN2098-1		1/8" GREASE ZERK
-	----	--	(FAFNIR HOUSING, SEAL MASTER BEARING)
1	SN5338		TRUNNION BEARING REPLACEMENT (SEAL MASTER - P.N. SK-1507)
2	SN3093		TRUNNION BEARING SHIELD
3	SN3094		TRUNNION BEARING RETAINER (FAFNIR)
4	SN2098-1		1/8" GREASE ZERK
-	----	--	(FAFNIR HOUSING, FAFNIR BEARING)
1	SN5434		TRUNNION BEARING REPLACEMENT (FAFNIR - P.N. GW211PP25)
2	SN3093		TRUNNION BEARING SHIELD
3	SN3094		TRUNNION BEARING RETAINER (FAFNIR) .109" THICK
4	SN2098-1		1/8" GREASE ZERK
-	----	--	(SUNFLOWER HOUSING, FAFNIR BEARING)
1	SN5434		TRUNNION BEARING REPLACEMENT (FAFNIR - P.N. GW211PP25)
2	SN5337		TRUNNION BEARING SHIELD 2.77" I.D.X 3.929" O.D. X .100" THICK
3	SN4925		TRUNNION BEARING RETAINER(SUNFLOWER) .092" THICK
4	SN2098-1		1/8" GREASE ZERK

I0000243
PR: t05g29o29b0007

4010 & 4110 COULTER RIPPER
SERVICE PARTS

C-FLEX STANDARD ASSEMBLY



**4010 & 4110 COULTER RIPPER
SERVICE PARTS**

21

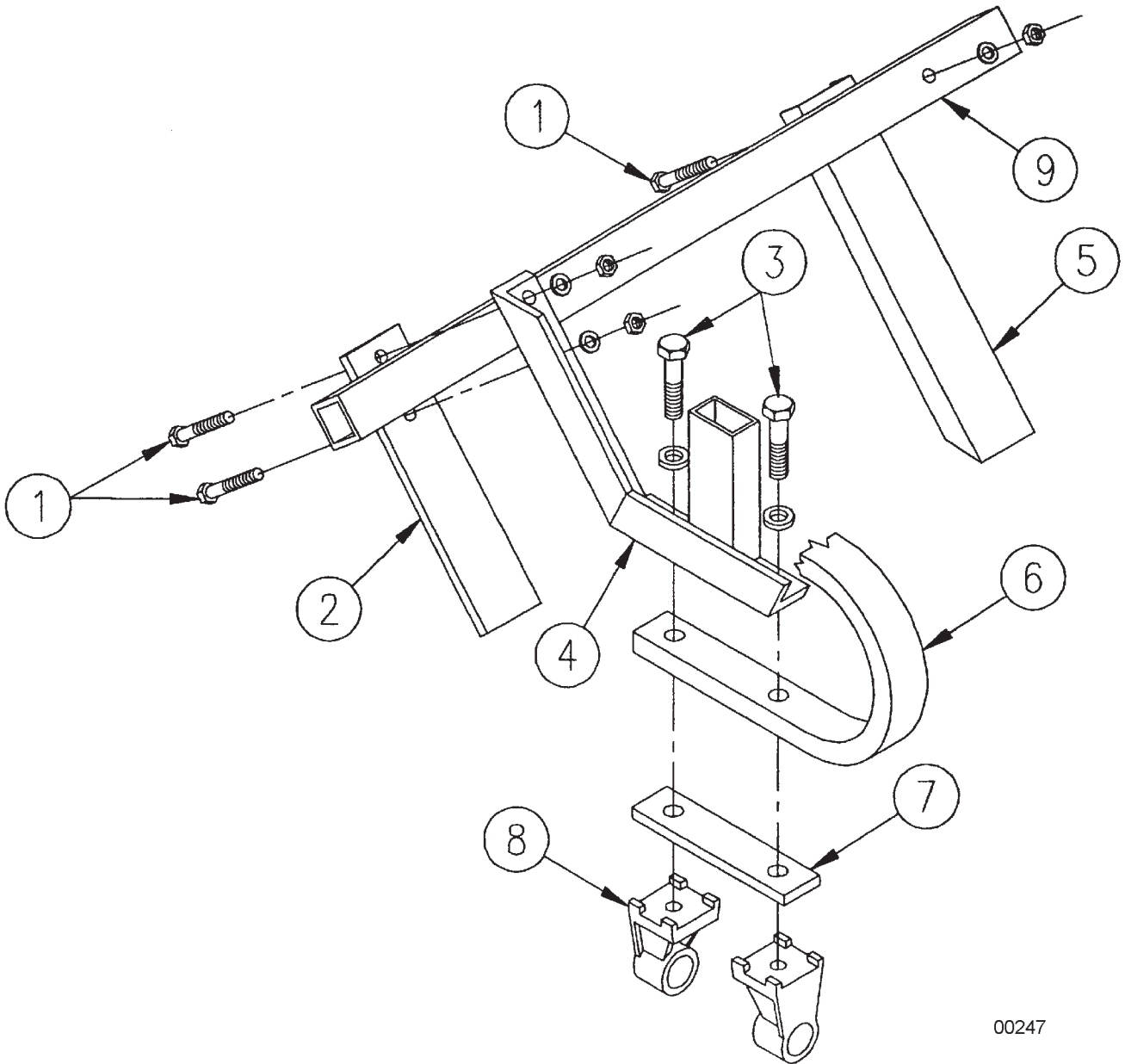
C-FLEX STANDARD ASSEMBLY

ITEM	NUMBER	QTY	DESCRIPTION
1	SN5373		C-FLEX CLAMP PLATE
2	SN4971B		C-FLEX SHANK, 1" X 3"
3	SN3087		FLAT TRASH BAR MOUNT
4	SN1345		3/4" X 3" HEX BOLT
	SN1040		3/4" LOCK WASHER
5	SN1484		3/4" X 7" HEX BOLT
	SN1040		3/4" LOCK WASHER
	SN106		3/4" HEX NUT
6	SN5372		SHIM, 3/8" THICK
7	SN3096		TRUNNION BEARING MOUNT
8	SN3095		1 1/2" I.D. X 2 1/4" O.D. FLAT WASHER
9	SN3090		TRUNNION BEARING COMPLETE

I0000246
PR: t05g29o29b0008

4010 & 4110 COULTER RIPPER
SERVICE PARTS

TRASH BAR ASSEMBLY



00247

**4010 & 4110 COULTER RIPPER
SERVICE PARTS**

23

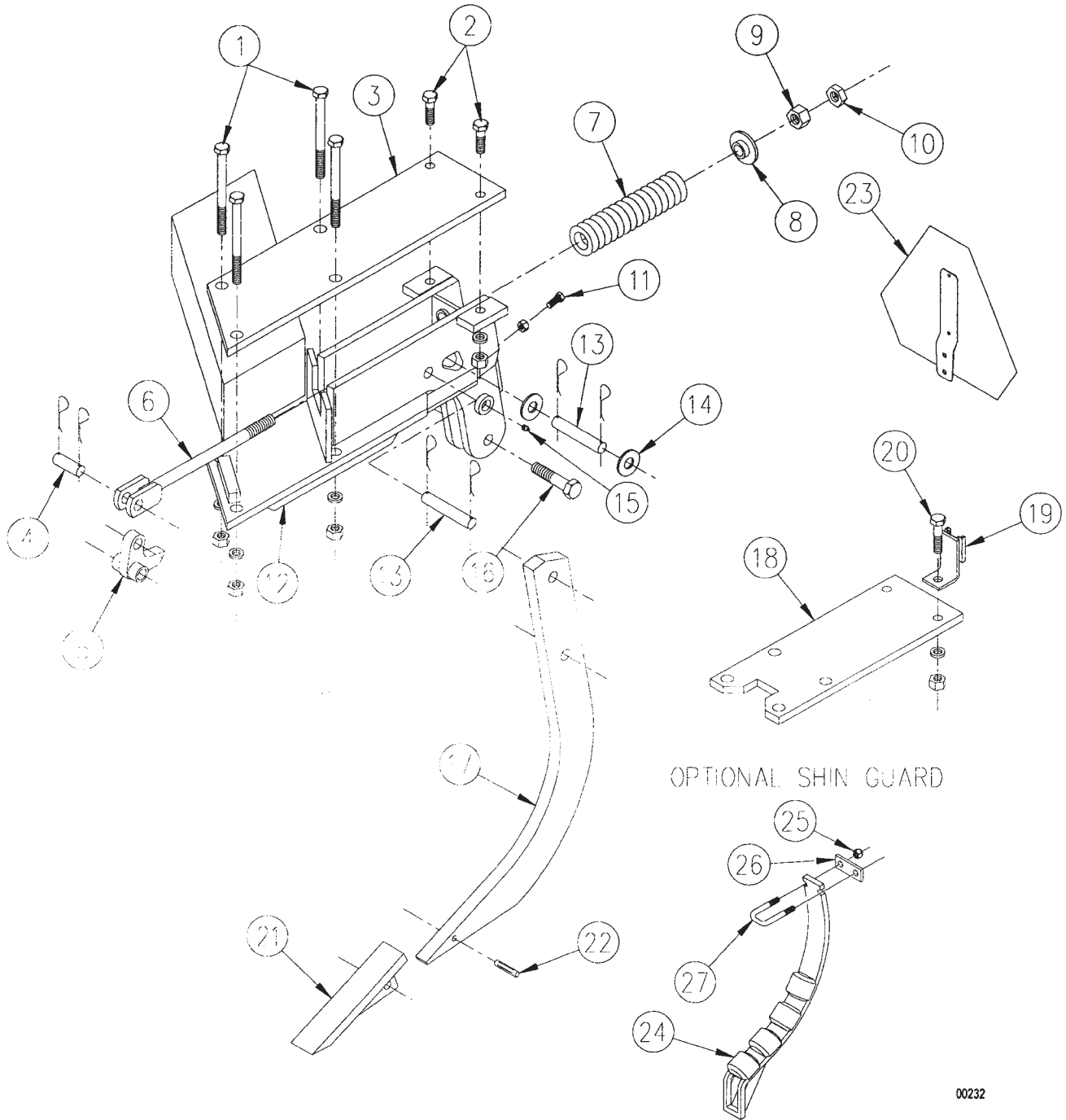
TRASH BAR ASSEMBLY

ITEM	NUMBER	QTY	DESCRIPTION
1	SN1507		1/2" X 3 1/2" HEX BOLT
	SN2096		1/2" LOCK NUT
2	SN3958		FLAT TRASH ARM (BEARING STANDARDS ONLY)
3	SN1345		3/4" X 3" HEX BOLT
	SN1040		3/4" LOCK WASHER
4	SN3087		FLAT TRASH BAR MOUNT
5	SN3088		TRASH ARM
	SN3678		TRASH ARM 13" (BETWEEN GANGS ONLY)
6	SN4971B		C-FLEX SHANK, 1" X 3"
7	SN5372		SHIM, 3/8" THICK
8	SN3096		TRUNNION BEARING MOUNT
9	SN2843		58 1/2" TRASH BAR, 4010
	SN2844		66" TRASH BAR, 4010
	SN2840		73 1/2" TRASH BAR, 4010
	SN3474		81" TRASH BAR, 4010
	SN3476		96" TRASH BAR, 4110
	SN5379		103 1/2" TRASH BAR, 4110

I0000247
PR: t05g29o29b0009

4010 & 4110 COULTER RIPPER
SERVICE PARTS

MANUAL RESET SHANK ASSEMBLY



**4010 & 4110 COULTER RIPPER
SERVICE PARTS**

25

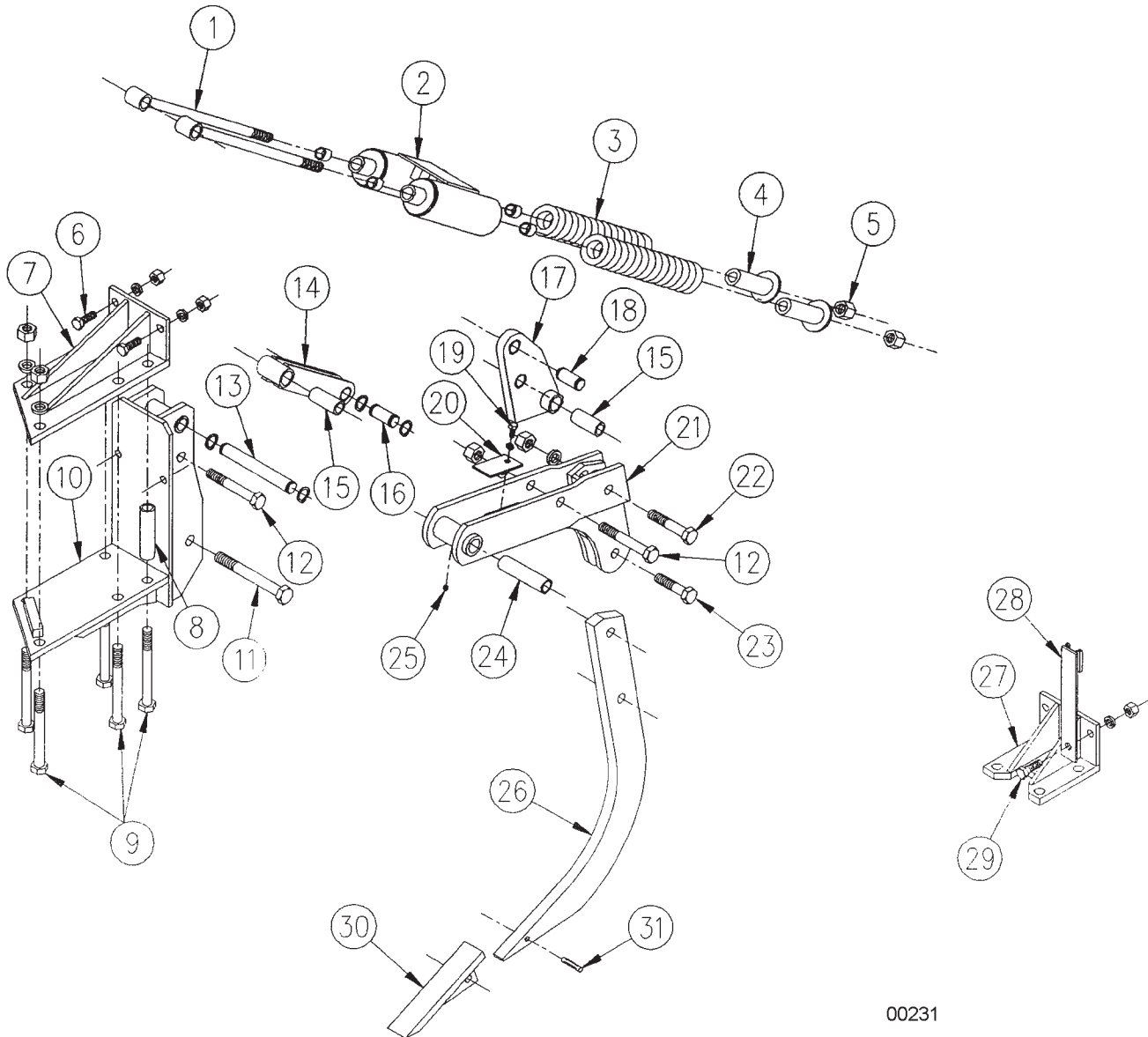
MANUAL RESET SHANK ASSEMBLY

ITEM	NUMBER	QTY	DESCRIPTION
1	SN5081		1" X 9" HEX BOLT
	SN1283		1" LOCK WASHER
	SN110		1" HEX NUT
2	SN1122		3/4" X 2 1/2" HEX BOLT
	SN1040		3/4" LOCK WASHER
	SN106		3/4" HEX NUT
3	SN5391		TOP MOUNTING PLATE, RIGHT & LEFT
4	SN5023		1" X 2 3/4" PIN
	SN1609		3/16" X 1 1/2" COTTER PIN
5	SN5024		SHANK STOP
6	SN5025		SHANK SPRING ROD
7	SN3335		SPRING
8	SN5519		SPRING WASHER
9	SN110		1" HEX NUT
10	SN1849		1" JAM NUT
11	SN1823		1/2" X 1 1/4" HEX BOLT
	SN159		1/2" JAM NUT
12	SN5396		SHANK MOUNT, RIGHT (SHOWN)
	SN5398		SHANK MOUNT, CENTER
	SN5397		SHANK MOUNT, LEFT
13	SN5022		1" X 5 9/16" PIN
	SN1609		3/16" X 1 1/2" COTTER PIN
14	SN245		1" FLAT WASHER
15	SN2098-1		1/8" NPT GREASE ZERK
16	SN5028		1" X 4 1/4" HEX BOLT
	SN3938		1" LOCK NUT
17	SN5202		1 1/4" X 4" X 40" SHANK
18	SN5392		TOP MOUNTING PLATE, CENTER
19	SN5433		SMV BRACKET
20	SN1345		3/4" X 3" HEX BOLT
	SN1040		3/4" LOCK WASHER
	SN106		3/4" HEX NUT
	SN5401		SHANK ASSEMBLY, CENTER (ITEMS 1,2,4 -20)
	SN5399		SHANK ASSEMBLY, RIGHT (ITEMS 1 - 17)
21	SN5400		SHANK ASSEMBLY, LEFT (ITEMS 1 - 17)
	SN5273		POINT, 1" X 2 1/2" X 12"
	SN5274		POINT, 1" X 2 1/2" X 12" W/CHROME CAP
22	SN5089		PIN, 1/2" X 2 1/2" POINT
	SN5288		POINT W/PIN
	SN5289		POINT W/CHROME CAP W/PIN
23	SN7001		SMV EMBLEM
24	SN6276		SHIN GUARD SHANK
25	SN2096		LOCK NUT, 1/2"-13 HEX NYLON INSERT
26	SN6275		CLAMP PLATE
27	SN6277		U-BOLT, 1/2"-13 X 5 1/2" X 1 13/16" W, GR 5, Y/D

I0000232
PR: t05g29o29b0010

4010 & 4110 COULTER RIPPER
SERVICE PARTS

AUTO RESET SHANK ASSEMBLY VERSION 1



00231

**4010 & 4110 COULTER RIPPER
SERVICE PARTS**

27

AUTO RESET SHANK ASSEMBLY VERSION 1

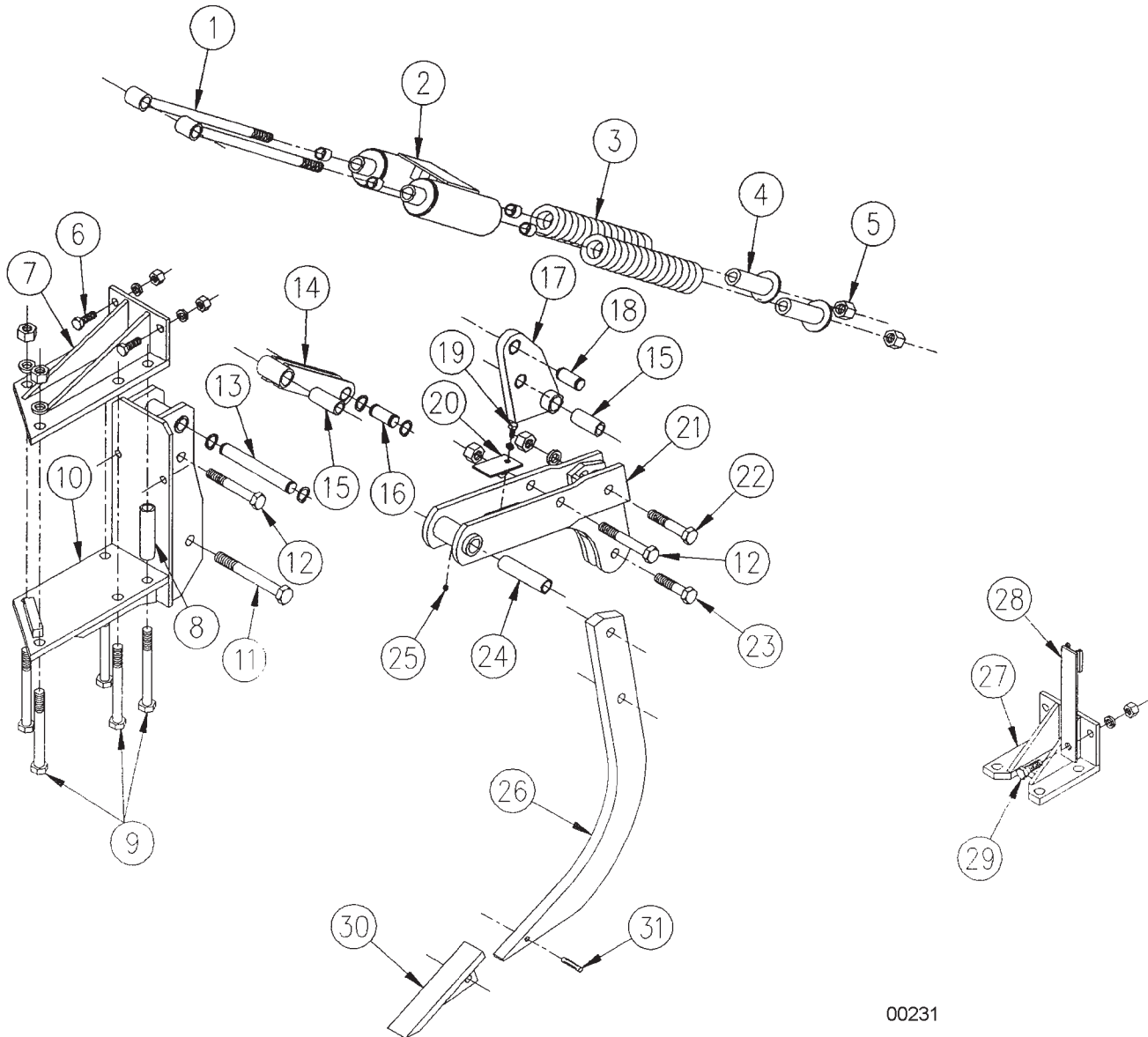
ITEM	NUMBER	QTY	DESCRIPTION
1	SN5066		SPRING ROD
	SN2098-6		1/4"-28 GREASE ZERK, 17/32" LONG
2	SN5068		SPRING BARREL
	SN1946		WEAR BUSHING
	SN2098-6		1/4"-28 GREASE ZERK, 17/32"LONG
3	SN3159		SPRING, 1 7/8" I.D. X 17" L.
4	SN5067		SPRING END
5	SN3938		1" LOCK NUT
6	SN1220		3/4" X 2" HEX BOLT
	SN1040		3/4" LOCK WASHER
	SN106		3/4" HEX NUT
7	SN5362		TOP MOUNTING PLATE, RIGHT (SHOWN)
	SN5363		TOP MOUNTING PLATE, LEFT
8	SN5070		CLAMP BUSHING, 5 7/8" LONG (RIGHT & LEFT ONLY)
9	SN5081		1" X 9" HEX BOLT
	SN1283		1" LOCK WASHER
	SN110		1" HEX NUT
10	SN5365		SHANK MOUNT, RIGHT (SHOWN)
	SN5367		SHANK MOUNT, CENTER
	SN5366		SHANK MOUNT, LEFT
11	SN1357		1 1/8" X 9" HEX BOLT
	SN2561		1 1/8" LOCK WASHER
	SN1300		1 1/8" HEX NUT
12	SN5548		1" X 6 1/2" HEX BOLT
	SN1283		1" LOCK WASHER
	SN110		1" HEX NUT
13	SN5063		1 1/4" X 9 3/4" PIN
	SN5080		1 1/4" SNAP RING
14	SN5072		UPPER TRIP LINK
	SN5077		WEAR BUSHING, 5/8" LONG
	SN2098-6		1/4"-28 GREASE ZERK, 17/32" LONG
15	SN5065		BUSHING, 3 7/16" LONG
16	SN5062		1 1/4" X 2 15/16" PIN
	SN5080		1 1/4" SNAP RING
17	SN5285		LOWER TRIP LINK
	SN1946-1		WEAR BUSHING
	SN2098-6		1/4"-28 GREASE ZERK, 17/32" LONG
18	SN5062		1 1/4" X 2 15/16" PIN

CONTINUED

I0000231
PR: t05g29o29b0011

4010 & 4110 COULTER RIPPER
SERVICE PARTS

AUTO RESET SHANK ASSEMBLY VERSION 1



00231

**4010 & 4110 COULTER RIPPER
SERVICE PARTS**

29

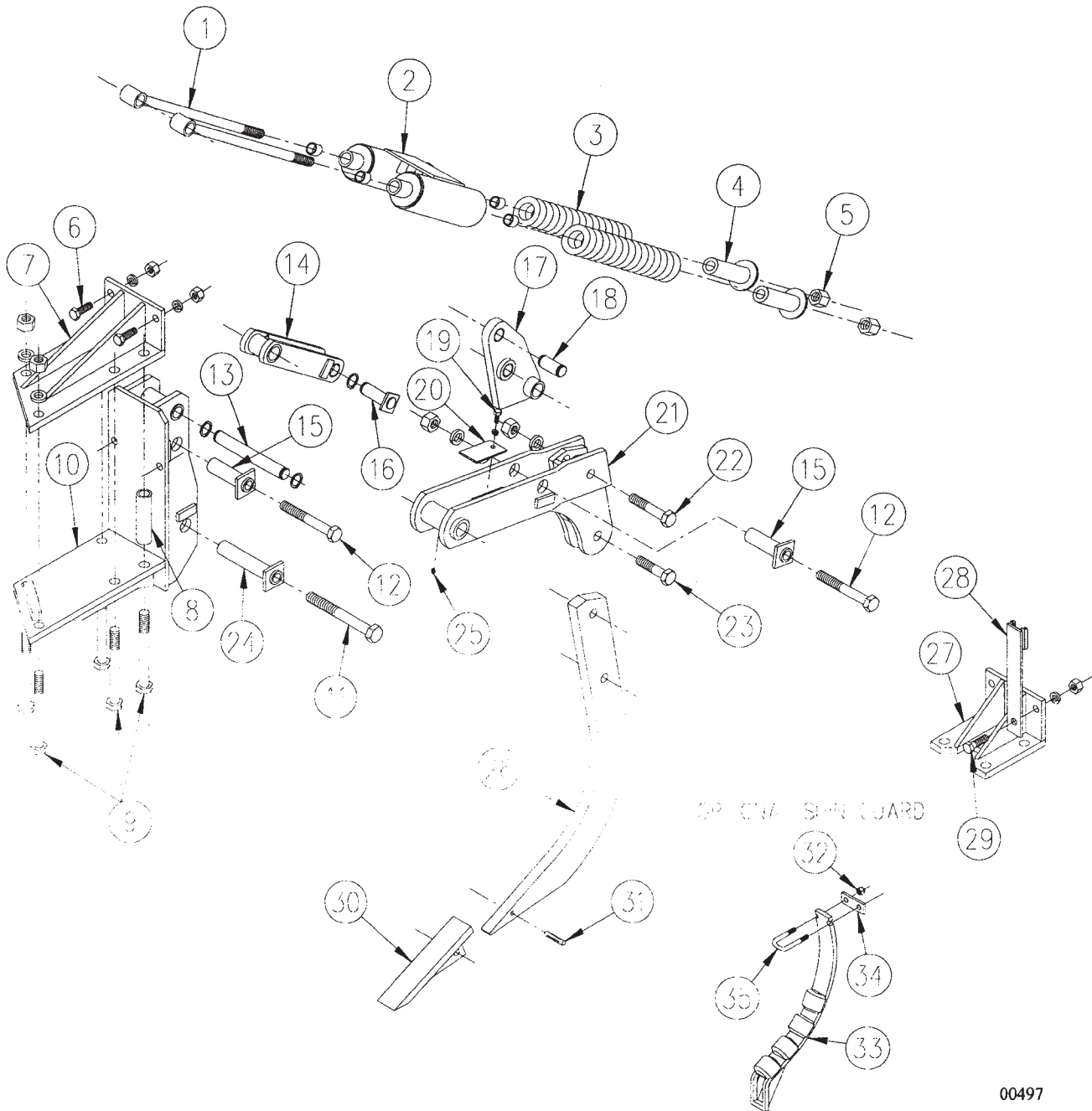
AUTO RESET SHANK ASSEMBLY VERSION 1

ITEM	NUMBER	QTY	DESCRIPTION
19	SNHCS12131		1/2"X 1 HEX BOLT
	SN113		1/2" LOCK WASHER
20	SN5286		SHIM, SHANK HOLDER
21	SN5287		SHANK HOLDER
22	SNFK150013		1" X 5" HEX BOLT
	SN1283		1" LOCK WASHER
	SN110		1" HEX NUT
23	SN1753		1" X 4" HEX BOLT
	SN1283		1" LOCK WASHER
	SN110		1" HEX NUT
24	SN5064		BUSHING, 5 15/16" LONG
25	SN2098-6		1/4"-28 GREASE ZERK, 17/32" LONG
26	SN5202		SHANK, 1 1/4" X 4" X 40"
27	SN5364		TOP MOUNTING PLATE, CENTER
28	SN5432		SMV BRACKET
29	SN2095		3/4" X 2 1/4" HEX BOLT
	SN1040		3/4" LOCK WASHER
	SN106		3/4" HEX NUT
	SN5376		SHANK ASSEMBLY, CENTER (ITEMS 1 -6,9-29)
	SN5377		SHANK ASSEMBLY, RIGHT (ITEMS 1 - 26)
	SN5378		SHANK ASSEMBLY, LEFT (ITEMS 1 - 26)
30	SN5273		POINT, 1" X 2 1/2" X 12"
	SN5274		POINT, 1" X 2 1/2" X 12" W/CHROME CAP
31	SN5089		PIN, 1/2" X 2 1/2" POINT
	SN5288		POINT W/PIN
	SN5289		POINT W/CHROME CAP W/PIN

I0000231
PR: t05g29o29b0011

4010 & 4110 COULTER RIPPER
SERVICE PARTS

AUTO RESET SHANK ASSEMBLY VERSION 2



**4010 & 4110 COULTER RIPPER
SERVICE PARTS**

31

AUTO RESET SHANK ASSEMBLY VERSION 2

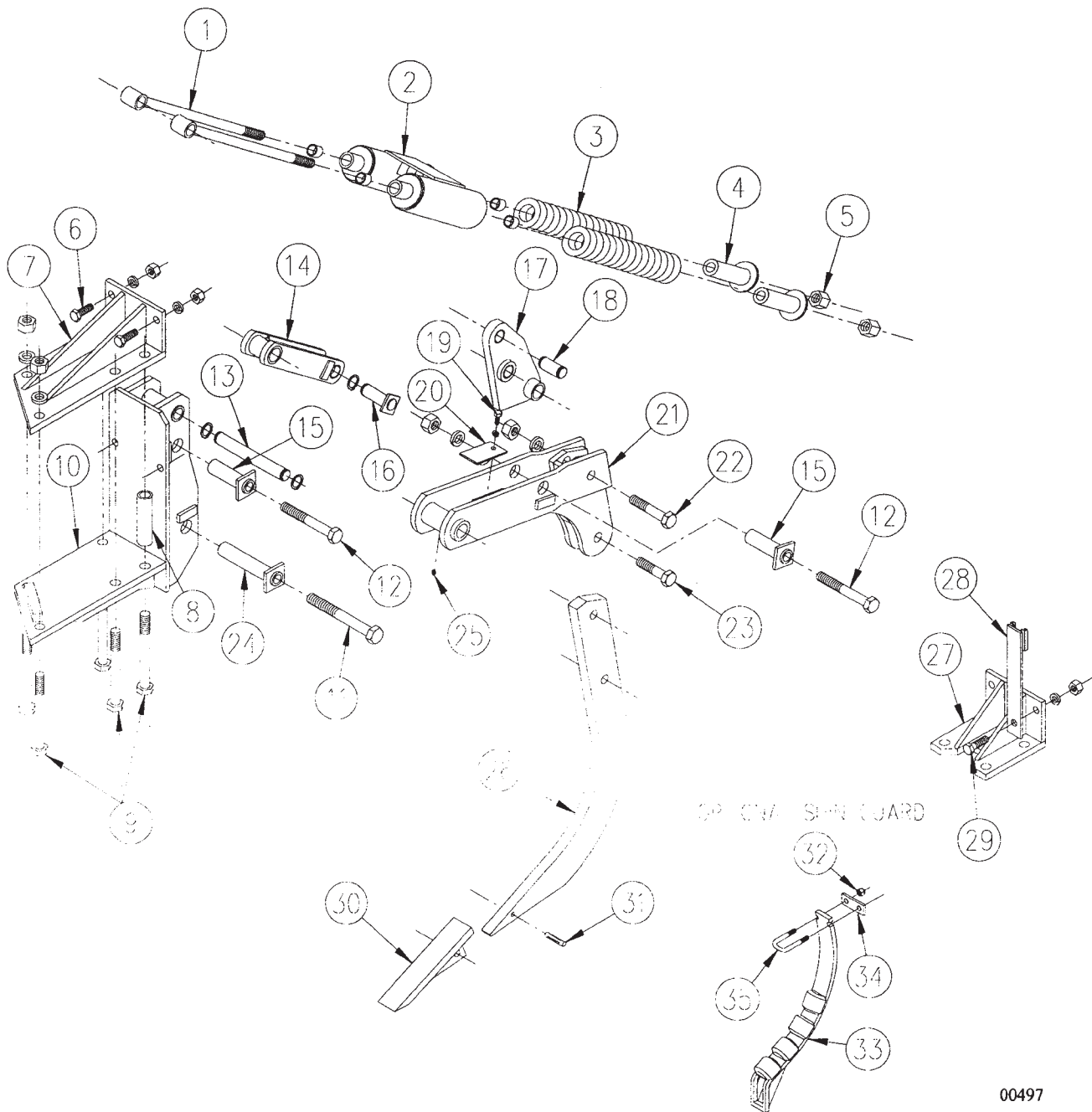
ITEM	NUMBER	QTY	DESCRIPTION
1	SN5066		SPRING ROD
	SN2098-6		1/4"-28 GREASE ZERK, 17/32" LONG
2	SN5068		SPRING BARREL
	SN1946		WEAR BUSHING
	SN2098-6		1/4"-28 GREASE ZERK, 17/32" LONG
3	SN3159		SPRING, 1 7/8" I.D. X 17" L.
4	SN5067		SPRING END
5	SN3938		1" LOCK NUT
6	SN1220		3/4" X 2" HEX BOLT
	SN1040		3/4" LOCK WASHER
	SN106		3/4" HEX NUT
7	SN5362		TOP MOUNTING PLATE, RIGHT (SHOWN)
	SN5363		TOP MOUNTING PLATE, LEFT
8	SN5070		CLAMP BUSHING, 5 7/8" LONG RIGHT & LEFT MOUNT ONLY
9	SN5081		1" X 9" HEX BOLT
	SN1283		1" LOCK WASHER
	SN110		1" HEX NUT
10	SN5654		SHANK MOUNT, RIGHT (SHOWN)
	SN5653		SHANK MOUNT, CENTER
	SN5655		SHANK MOUNT, LEFT
11	SN1357		1 1/8" X 9" HEX BOLT
	SN1038		1 1/8" FLAT WASHER
	SN2561		1 1/8" LOCK WASHER
	SN2087		1 1/8" JAM NUT
12	SN109		1" X 7" HEX BOLT
	SN245		1" FLAT WASHER
	SN1283		1" LOCK WASHER
	SN110		1" HEX NUT
13	SN5063		1 1/4" X 9 3/4" PIN
	SN5080		1 1/4" SNAP RING
14	SN5637		UPPER TRIP LINK
	SN5077		WEAR BUSHING, 1 1/4" I.D. X 1 1/2" O.D., 5/8" LONG
	SN2098-6		1/4"-28 GREASE ZERK, 17/32" LONG
15	SN5660		BUSHING, 5 1/4" LONG, SQ. HEAD
16	SN5636		1 1/4" X 4 1/16" SQ. HEAD PIN
	SN5080		1 1/4" SNAP RING
17	SN5635		LOWER TRIP LINK
	SN1946-1		WEAR BUSHING
	SN2098-6		1/4"-28 GREASE ZERK, 17/32" LONG
18	SN5062		1 1/4" X 2 15/16" PIN
19	SNHCS12131		1/2" X 1 HEX BOLT
	SN113		1/2" LOCK WASHER
20	SN5286		SHIM, SHANK HOLDER
21	SN5659		SHANK HOLDER

CONTINUED

I0000497
PR: t05g29o29b0012

4010 & 4110 COULTER RIPPER
SERVICE PARTS

AUTO RESET SHANK ASSEMBLY VERSION 2



**4010 & 4110 COULTER RIPPER
SERVICE PARTS**

33

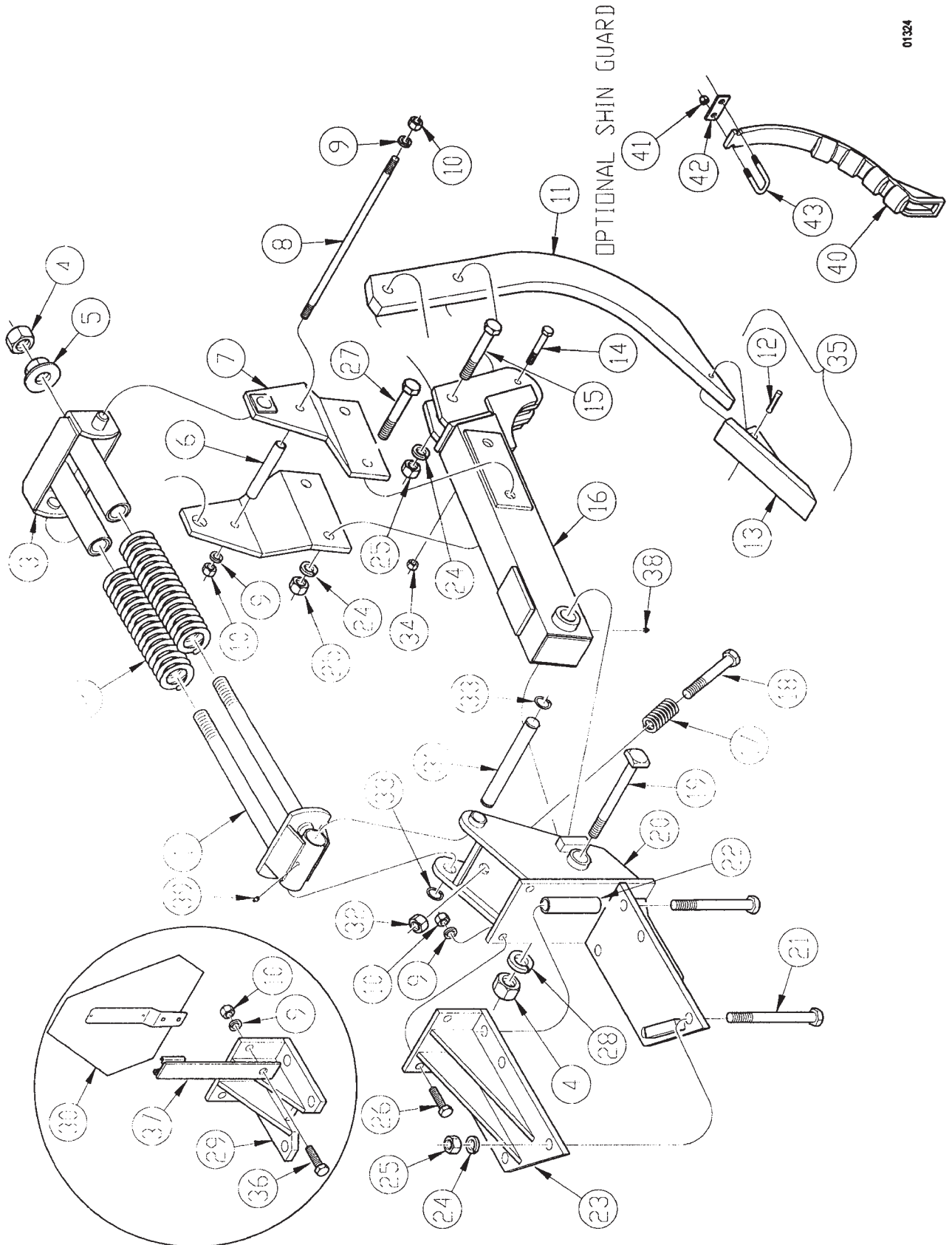
AUTO RESET SHANK ASSEMBLY VERSION 2

ITEM	NUMBER	QTY	DESCRIPTION
22	SNFK150013		1" X 5" HEX BOLT
	SN1283		1" LOCK WASHER
	SN110		1" HEX NUT
23	SN1753		1" X 4" HEX BOLT
	SN1283		1" LOCK WASHER
	SN110		1" HEX NUT
24	SN5661		BUSHING, 7 3/4" LONG, SQ. HEAD
25	SN2098-6		1/4"-28 GREASE ZERK, 17/32" LONG
26	SN5202		SHANK, 1 1/4" X 4" X 40"
27	SN5364		TOP MOUNTING PLATE, CENTER
28	SN5432		SMV BRACKET
29	SN2095		3/4" X 2 1/4" HEX BOLT
	SN1040		3/4" LOCK WASHER
	SN106		3/4" HEX NUT
	SN5656		SHANK ASSEMBLY, CENTER (ITEMS 1 - 6, 9 - 29)
	SN5657		SHANK ASSEMBLY, RIGHT (ITEMS 1 - 26)
	SN5658		SHANK ASSEMBLY, LEFT (ITEMS 1 - 26)
30	SN5273		POINT, 1" X 2 1/2" X 12"
	SN5274		POINT, 1" X 2 1/2" X 12" W/CHROME CAP
31	SN5089		PIN, 1/2" X 2 1/2" POINT
	SN5288		POINT W/PIN
	SN5289		POINT W/CHROME CAP W/PIN
32	SN2096		LOCK NUT, 1/2"-13 HEX NYLON INSERT
33	SN6276		SHIN GUARD SHANK
34	SN6275		CLAMP PLATE
35	SN6277		U-BOLT, 1/2"-13 X 5 1/2" X 1 13/16" W, GR 5, Y/D

I0000497
PR: t05g29o29b0012

4010 & 4110 COULTER RIPPER
SERVICE PARTS

R21 AUTO RESET SHANK ASSEMBLY



**4010 & 4110 COULTER RIPPER
SERVICE PARTS**

35

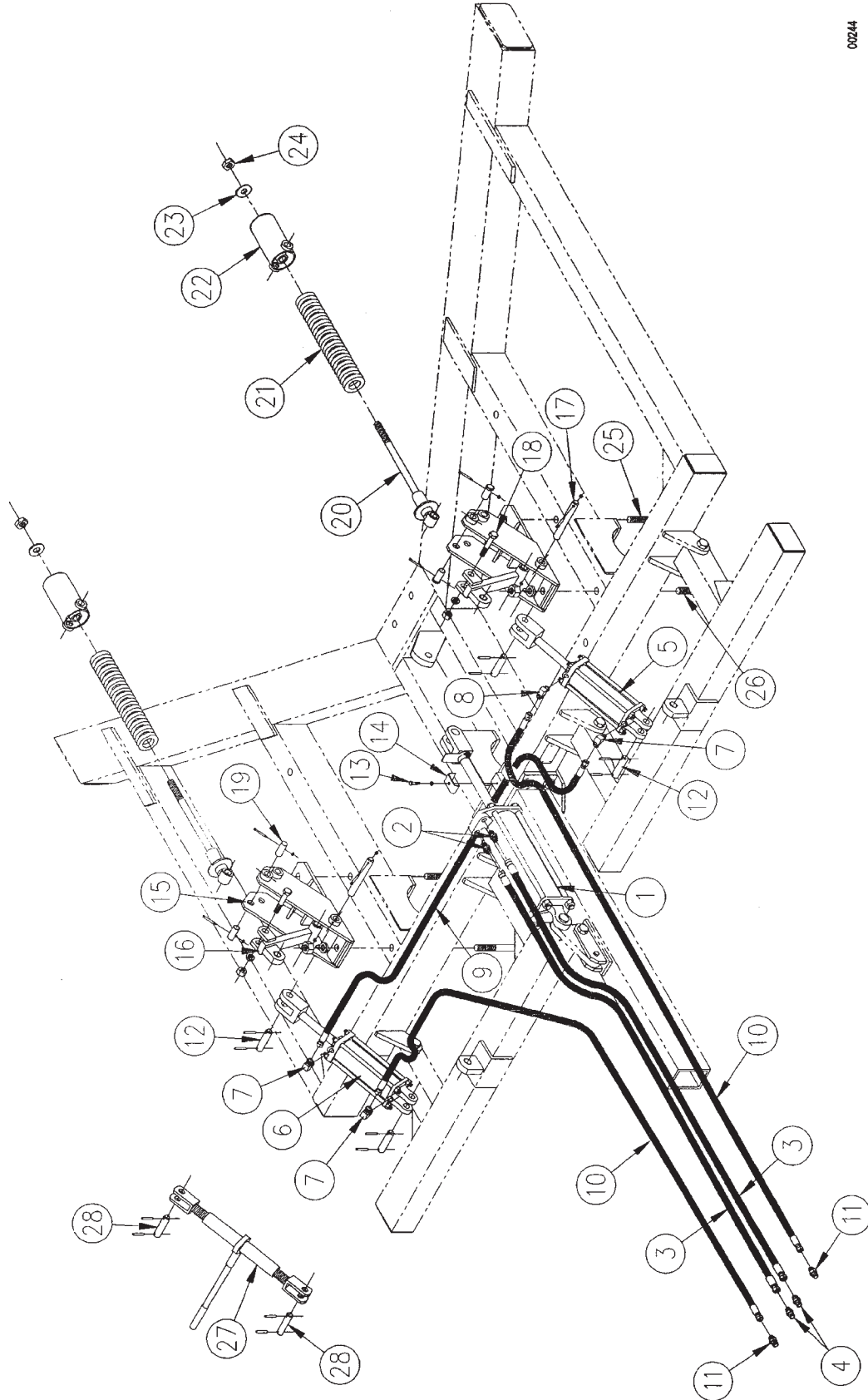
R21 AUTO RESET SHANK ASSEMBLY

ITEM	NUMBER	QTY	DESCRIPTION
1	SN6839		SPRING ROD
2	SN5419		COMPRESSION SPRING, 4.375" O.D. X 2.625" I.D., 17.59" L.
3	SN6842		SPRING BARRELL, DUAL
4	SN2079		1 1/2" JAM NUT
5	SN5425		1 1/2" HEX FLANGE NUT
6	SN6837R		BUSHING, 1.5" O.D. X .813" I.D., 10 5/8" L.
7	SN6836		SPRING PLATE
8	SN6838		3/4" X 14" SPECIAL BOLT
9	SN1040		3/4" LOCK WASHER
10	SN106		3/4" HEX NUT
11	SN5202		SHANK, 1 1/4" X 4" X 40"
12	SN5089		PIN, 1/2" X 2 1/2" POINT
13	SN5273		POINT, 1" X 2 1/2" X 12"
	SN5274		POINT, 1" X 2 1/2" X 12" W/CHROME CAP
14	SN1723		5/8" X 3 1/2" HEX BOLT
15	SN1753		1" X 4" HEX BOLT
16	SN6840		SHANK HOLDER
17	SNFK361002		ADJUSTING ROD SPRING - UPPER
18	SN1678		1" X 4 1/2" HEX BOLT
19	SN6841		1 1/2" X 10 1/2" SQ. HEAD BOLT
20	SN6833		SHANK MOUNT, RIGHT (SHOWN)
	SN6835		SHANK MOUNT, CENTER
	SN6834		SHANK MOUNT, LEFT
21	SN5081		1" X 9" HEX BOLT
22	SN5070		CLAMP BUSHING, 5 7/8" LONG RIGHT & LEFT MOUNT ONLY
23	SN5362		TOP MOUNTING PLATE, RIGHT (SHOWN)
	SN5363		TOP MOUNTING PLATE, LEFT
24	SN1283		1" LOCK WASHER
25	SN110		1" HEX NUT
26	SN1220		3/4" X 2 HEX BOLT
27	SN1697		1" X 7 1/2" HEX BOLT
28	SN2085		1 1/2" LOCK WASHER
29	SN5364		TOP MOUNTING PLATE, CENTER
30	SN7001		SMV EMBLEM
31	SN5063		1 1/4" X 9 3/4" PIN
32	SN3938		1" LOCK NUT
33	SN5080		1 1/4" SNAP RING
34	SN669-1		5/8" LOCK NUT
35	SN5288		POINT W/PIN
	SN5289		POINT W/CHROME CAP W/PIN
36	SN2095		3/4" X 2 1/4" HEX BOLT
37	SN5432		SMV BRACKET
38	SN2098-5		GREASE ZERK, 1/8" NPTF, 1 1/4" L.
39	SN2098-1		GREASE ZERK, 1/8" NPTF, 5/8" L.
40	SN6276		SHIN GUARD SHANK
41	SN2096		LOCK NUT, 1/2"-13 HEX NYLON INSERT
42	SN6275		CLAMP PLATE
43	SN6277		U-BOLT, 1/2"-13 X 5 1/2" X 1 13/16" W, GR 5, Y/D
	SN6845		SHANK ASSEMBLY, CENTER (ITEMS 1-11, 14-21, 24-29, 31-34, 36, 37)
	SN6843		SHANK ASSEMBLY, RIGHT (ITEMS 1-11, 14-28, 31-34)
	SN6844		SHANK ASSEMBLY, LEFT (ITEMS 1-11, 14-28, 31-34)

I0001324
PR: t05g29o29b0013

4010 & 4110 COULTER RIPPER
SERVICE PARTS

4010 & 4110 HYDRAULIC SYSTEM



00244

**4010 & 4110 COULTER RIPPER
SERVICE PARTS**

37

4010 & 4110 HYDRAULIC SYSTEM

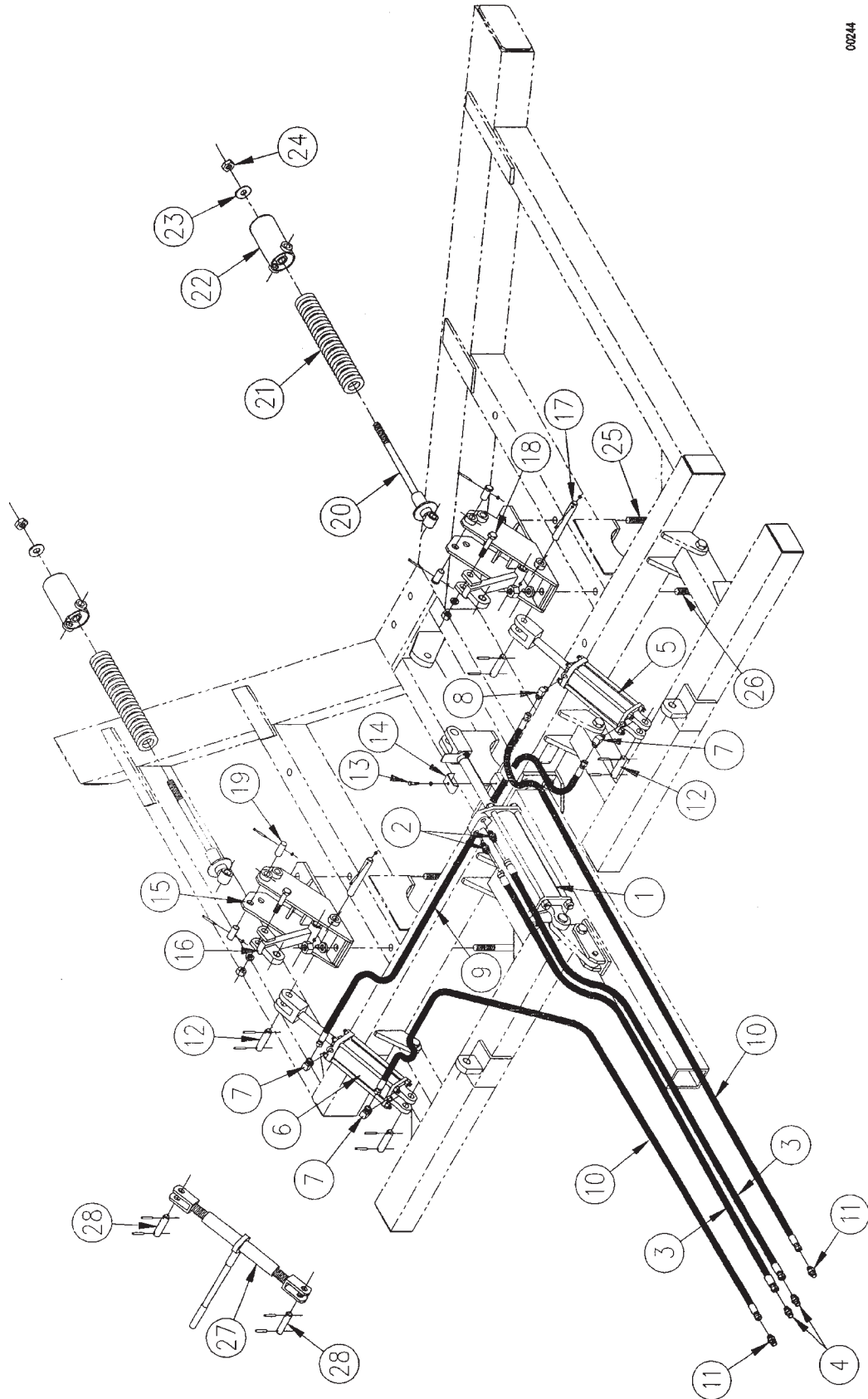
ITEM	NUMBER	QTY	DESCRIPTION
1	SN4441		4" X 16" CYLINDER W/STROKE CONTROL CROSS (*VERSION 1, PRIOR TO 9/16/03)
	SN12048		CYLINDER, 4" X 16" W/STR CON CROSS, 3000 PSI (*VERSION 2, 9/16/03 & LATER)
2	SN4464		STRAIGHT THREAD CONNECTOR, 7/8"-14 M.F. X 3/4"-16 O.R.
3	SN4150005		1/2" X 150" LONG HOSE, FEMALE ENDS
4	SN2426		MALE CONNECTOR, 7/8"-14 M.F. X 1/2"-14 M.P.T.
5	SN4438		3 3/4" X 8" SLAVE CYLINDER (20 1/4" CPC) CROSS (*VERSION 1, PRIOR TO 6/27/03)
	SN12059		CYLINDER, 3 3/4" X 8" SLAVE CROSS, 3000 PSI (*VERSION 2, 6/27/03 & LATER)
6	SN4437		4" X 8" MASTER W/O STROKE CONTROL CROSS (*VERSION 1, PRIOR TO 8/12/03)
	SN12047		4" X 8" MASTER W/O STR CON CROSS, 3000 PSI (*VERSION 2, 8/12/03 & LATER)
7	SN4454		90 DEG. STRAIGHT THREAD ELBOW, 3/4"-16 M.F. X 3/4"-16 O.R.
8	SN4455		90 DEG. STRAIGHT THREAD ELBOW, 3/4"-16 M.F. X 3/4"-16 O.R. WITH 1/16" RESTRICTOR
9	SN4090002		3/8" X 90 LONG HOSE, FEMALE ENDS
10	SN4168002		3/8" X 168 LONG HOSE, FEMALE ENDS
11	SN2425		MALE CONNECTOR, 3/4"-16 M.F. X 1/2"-14 M.P.T.
12	SN5339		1" X 4 1/16" PIN
	SN3164		5/16" X 2" ROLL PIN
13	SN175		3/8" X 1 1/2" HEX BOLT
	SN176		3/8" LOCK WASHER
14	SN2339		BRACKET CLAMP
15	SN3478		SPRING COULTER CYLINDER MOUNT
16	SN3479		CYLINDER MOUNT PIVOT
	SN2098-4		GREASE ZERK, 1/8" NPT 90 DEG.
17	SN3163		1" X 7 1/2" TRIP SHANK PIN
	SN3880		5/16" X 1 3/4" SHOULDER BOLT
	SN3881		1/4" NYLON LOCK NUT
18	SN1753		1" X 4" HEX BOLT
	SN1283		1" LOCK WASHER
	SN1849		1" JAM NUT

CONTINUED

I0000244
PR: t05g29o29b0014

4010 & 4110 COULTER RIPPER SERVICE PARTS

4010 & 4110 HYDRAULIC SYSTEM



00244

**4010 & 4110 COULTER RIPPER
SERVICE PARTS**

39

4010 & 4110 HYDRAULIC SYSTEM

ITEM	NUMBER	QTY	DESCRIPTION
19	SN3161		1" X 2 1/4" CLEVIS PIN
	SN3880		5/16" X 1 3/4" SHOULDER BOLT
	SN3881		1/4" NYLON LOCK NUT
20	SN3160		SPRING ADJUSTING BOLT
21	SN5388		SPRING, 1 7/8" I.D. X 17" LONG, 9/16" DIA. - 4010
	SN3159		SPRING, 1 7/8" I.D. X 17" LONG, 11/16" DIA. - 4110
22	SN3158		SPRING BARREL
	SN1946		WEAR BUSHING
23	SN245		1" FLAT WASHER
24	SN3938		1" LOCK NUT
	SN5389		SPRING AND BARREL ASSEMBLY - 4010 (ITEMS 20 - 24)
	SN3939		SPRING AND BARREL ASSEMBLY - 4110 (ITEMS 20 - 24)
	SN5390		SPRING CYLINDER MOUNT ASSEMBLY - 4010 (ITEMS 15 - 24)
	SN3480		SPRING CYLINDER MOUNT ASSY. - 4110 (ITEMS 15 - 24)
25	SN3485		1" X 8" HEX BOLT
	SN1283		1" LOCK WASHER
	SN110		1" HEX NUT
26	SN2316		1" X 8 1/2" HEX BOLT
	SN1283		1" LOCK WASHER
	SN110		1" HEX NUT
27	SN2893		RATCHET JACK ASSEMBLY
	SN3785		HANDLE, RATCHET JACK
28	SN5385		1" X 3" PIN
	SN3164		5/16" X 2" ROLL PIN

I0000244
PR: t05g29o29b0014

**4010 & 4110 COULTER RIPPER
SERVICE PARTS**

41

SAFETY AND IDENTIFICATION DECALS

ITEM	NUMBER	QTY	DESCRIPTION
1	SN997002		SUNFLOWER DECAL
2	SN997246		FEMA SYMBOL
3	SN997041		AMBER REFLECTIVE TAPE
4	SN997237		4010 SERIES NUMBER
	SN997238		4110 SERIES NUMBER
5	SN997040		RED REFLECTIVE TAPE
6	SN997792		DECAL-WARNING, READ OPERATOR'S MANUAL
7	SN997078		WARNING - MECH. OR HYD. FAILURE
8	SN997052		IMPORTANT - REPHASING HYDRAULIC SYSTEM
9			SERIAL NUMBER PLATE
10	SN997048		CAUTION - TOWING HAZARD
11	SN997311		WARNING - HIGH-PRESSURE FLUID HAZARD
12	SN997263		TILLAGE PROMOTES SAFER ENVIRONMENT
13	SN997060		C-FLEX DECAL
14	SN997479		IMPORTANT - HEAT TREATED SHANK

I0000253
PR: t05g29o29b0015

**4010 & 4110 COULTER RIPPER
SERVICE PARTS**

43

**3 3/4" X 8" CROSS SLAVE CYLINDER
(VERSION 1,PRIOR TO 6/27/03)**

ITEM	NUMBER	QTY	DESCRIPTION
1	SN3164		5/16" X 2" ROLL PIN
2	SN8610-1		CLEVIS, 1 1/4" THREADS, 1" PIN W/BUSHING
3	SN8736-10		HEAD, 3 3/4", 1 3/8" ROD
4	SN8776-1		SEAL KIT, 3 3/4", 1 3/8" ROD
5	SN8827-1		TUBE, 3 3/4" X 8"
6	SN8898-1		1 3/8" ROD
7	SN8717-1		PISTON, 3 3/4" W/1" HOLE
8	SN8698-10		BASE, 3 3/4" REPHASING
9	SN5339		PIN, 1" X 4 1/16"
10	SN4458		PLUG, 3/4"-16 O.R.
11	SN8683-1		PISTON NUT, 1"
12	SN8851-1		TIE ROD BOLT
13	SN8864-1		TIE ROD NUT
14	SN8631-1		CAPSCREW
	SN8671-1		CAPSCREW NUT
	SN4438		3 3/4" X 8" CROSS SLAVE CYLINDER (VERSION 1)

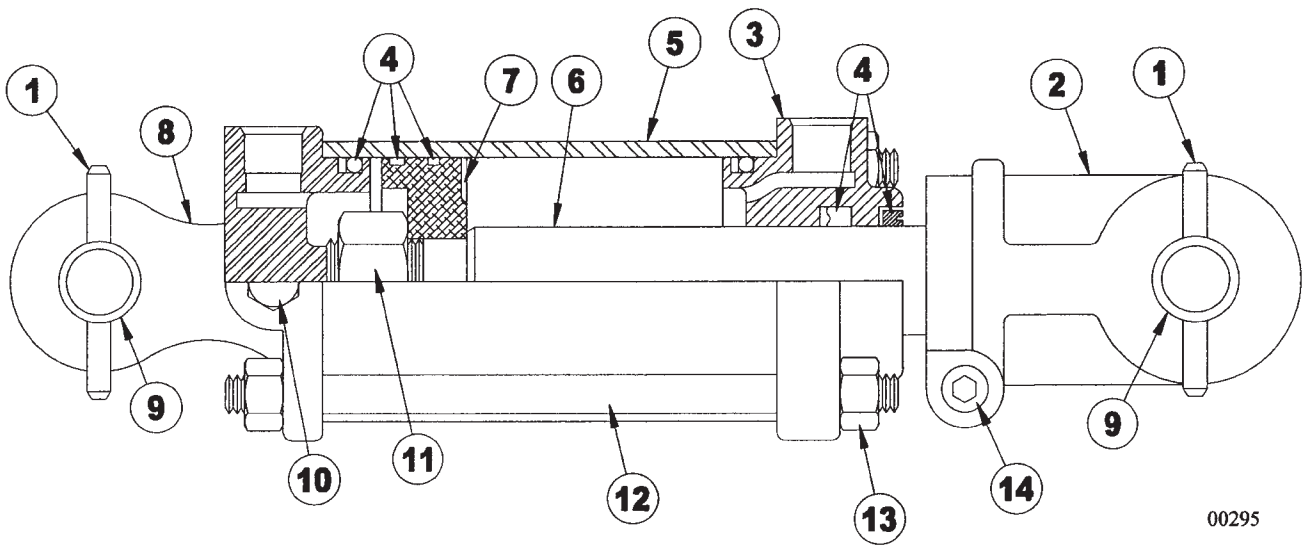
NOTE: WHEN ORDERING HYDRAULIC CYLINDER COMPONENTS, BE SURE TO NOTE THE PART NUMBER AND THE CYLINDER PSI. (LOCATED ON THE CYLINDER DECAL) AS THEY CONTAIN DIFFERENT COMPONENTS. OLDER CYLINDERS WERE 2500 PSI. AND THE NEWER CYLINDERS ARE 3000 PSI. IDENTIFYING THE PART # OF THE CYLINDER IS EXTREMELY IMPORTANT WHEN ORDERING PARTS TO ENSURE PROPER OPERATION OF THE HYDRAULIC CYLINDER.

NOTE: INDIVIDUAL SEALS CANNOT BE ORDERED

I0000295
PR: t05g29o29b0016

4010 & 4110 COULTER RIPPER
SERVICE PARTS

3 3/4" X 8" CROSS SLAVE CYLINDER
(VERSION 2, 6/27/03 & LATER)



00295

**4010 & 4110 COULTER RIPPER
SERVICE PARTS**

45

**3 3/4" X 8" CROSS SLAVE CYLINDER
(VERSION 2, 6/27/03 & LATER)**

ITEM	NUMBER	QTY	DESCRIPTION
1	SN3164		5/16" X 2 ROLL PIN
2	SN8610-1		CLEVIS, 1 1/4" THREADS, 1" PIN W/BUSHING
3	SN8736-10		HEAD, 3 3/4", 1 3/8" ROD
4	SN8776-1		SEAL KIT, 3 3/4", 1 3/8" ROD
5	SN8827-1		TUBE, 3 3/4" X 8"
6	SN12055		1 3/8" ROD
7	SN8655-1		PISTON, 3 3/4" W/1" HOLE
8	SN8656-10		BASE, 3 3/4" REPHASING
9	SN5339		PIN, 1" X 4 1/16"
10	SN4458		PLUG, 3/4"-16 O.R.
11	SN8683-1		PISTON NUT, 1"
12	SN12033		TIE ROD BOLT
13	SN8864-1		TIE ROD NUT
14	SN8631-1		CAPSCREW
	SN8671-1		CAPSCREW NUT
	SN12059		CYLINDER, 3 3/4" X 8" SLAVE, 3000 PSI (VERSION 2)

NOTE: WHEN ORDERING HYDRAULIC CYLINDER COMPONENTS, BE SURE TO NOTE THE PART NUMBER AND THE CYLINDER PSI. (LOCATED ON THE CYLINDER DECAL) AS THEY CONTAIN DIFFERENT COMPONENTS. OLDER CYLINDERS WERE 2500 PSI. AND THE NEWER CYLINDERS ARE 3000 PSI. IDENTIFYING THE PART # OF THE CYLINDER IS EXTREMELY IMPORTANT WHEN ORDERING PARTS TO ENSURE PROPER OPERATION OF THE HYDRAULIC CYLINDER.

NOTE: INDIVIDUAL SEALS CANNOT BE ORDERED

I0000295
PR: t05g29o29b0017

**4010 & 4110 COULTER RIPPER
SERVICE PARTS**

47

**4" X 8" CROSS MASTER CYLINDER
(VERSION 1, PRIOR TO 8/12/03)**

ITEM	NUMBER	QTY	DESCRIPTION
1	SN3164		5/16" X 2" ROLL PIN
2	SN8610-1		CLEVIS, 1 1/4" THREADS, 1" PIN W/BUSHING
3	SN8739-10		HEAD, 4", 1 3/8" ROD
4	SN8781-1		SEAL KIT, 4", 1 3/8" ROD
5	SN8830-1		TUBE, 4" X 8"
6	SN8898-1		1 3/8" ROD
7	SN8718-1		PISTON, 4" W/1" HOLE
8	SN8699-10		BASE, 4" REPHASING
9	SN5339		1" X 4 1/16" PIN
10	SN4458		PLUG, 3/4"-16 O.R.
11	SN8683-1		PISTON NUT, 1"
12	SN8851-1		TIE ROD BOLT
13	SN8864-1		TIE ROD NUT
14	SN8631-1		CAPSCREW
	SN8671-1		CAPSCREW NUT
	SN4437		4" X 8" CROSS MASTER CYLINDER W/O STROKE CONTROL (VERSION 1)

NOTE: WHEN ORDERING HYDRAULIC CYLINDER COMPONENTS, BE SURE TO NOTE THE PART NUMBER AND THE CYLINDER PSI. (LOCATED ON THE CYLINDER DECAL) AS THEY CONTAIN DIFFERENT COMPONENTS. OLDER CYLINDERS WERE 2500 PSI. AND THE NEWER CYLINDERS ARE 3000 PSI. IDENTIFYING THE NUMBER OF THE CYLINDER IS EXTREMELY IMPORTANT WHEN ORDERING PARTS TO ENSURE PROPER OPERATION OF THE HYDRAULIC CYLINDER.

NOTE: INDIVIDUAL SEALS CANNOT BE ORDERED

I0000295
PR: t05g29o29b0018

**4010 & 4110 COULTER RIPPER
SERVICE PARTS**

49

**4" X 8" CROSS MASTER CYLINDER
(VERSION 2, 8/12/03 & LATER)**

ITEM	NUMBER	QTY	DESCRIPTION
1	SN3164		5/16" X 2" ROLL PIN
2	SN8610-1		CLEVIS, 1 1/4" THREADS, 1" PIN W/BUSHING
3	SN8739-10		HEAD, 4", 1 3/8" ROD
4	SN8781-1		SEAL KIT, 4", 1 3/8" ROD
5	SN8830-1		TUBE, 4" X 8"
6	SN12055		1 3/8" ROD
7	SN8653-1		PISTON, 4" W/1" HOLE
8	SN8670-10		BASE, 4" REPHASING
9	SN5339		1" X 4 1/16" PIN
10	SN4458		PLUG, 3/4"-16 O.R.
11	SN8683-1		PISTON NUT, 1"
12	SN12033		TIE ROD BOLT
13	SN8864-1		TIE ROD NUT
14	SN8631-1		CAPSCREW
	SN8671-1		CAPSCREW NUT
	SN12047		CYLINDER, 4" X 8" MASTER W/O STR CONCROSS 3000 PSI (VERSION 2)

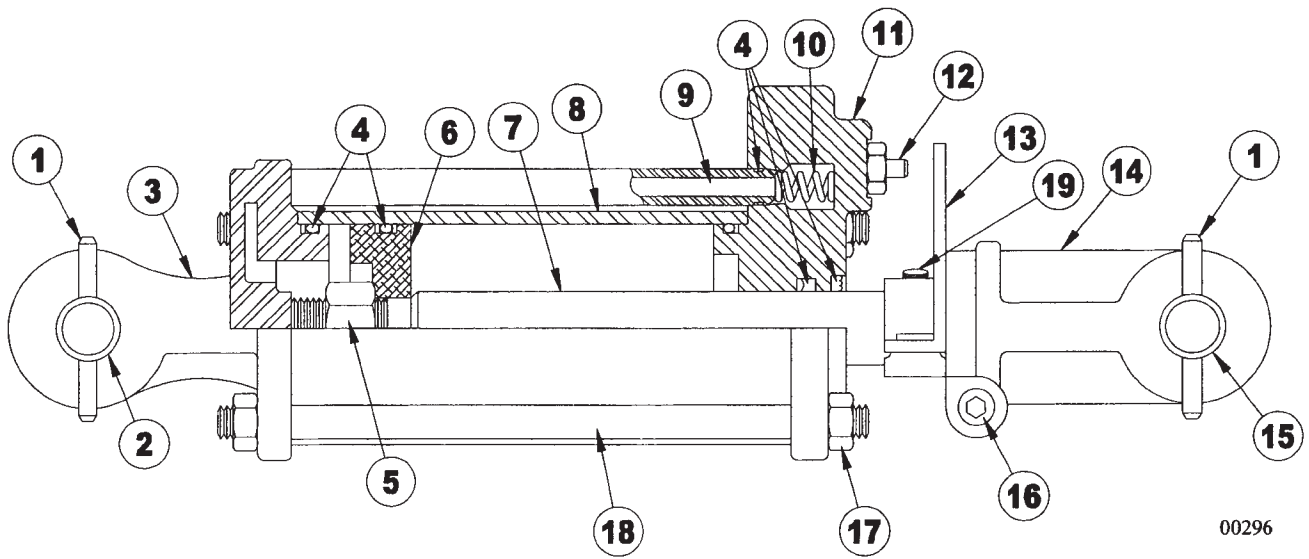
NOTE: WHEN ORDERING HYDRAULIC CYLINDER COMPONENTS, BE SURE TO NOTE THE PART NUMBER AND THE CYLINDER PSI. (LOCATED ON THE CYLINDER DECAL) AS THEY CONTAIN DIFFERENT COMPONENTS. OLDER CYLINDERS WERE 2500 PSI. AND THE NEWER CYLINDERS ARE 3000 PSI. IDENTIFYING THE NUMBER OF THE CYLINDER IS EXTREMELY IMPORTANT WHEN ORDERING PARTS TO ENSURE PROPER OPERATION OF THE HYDRAULIC CYLINDER.

NOTE: INDIVIDUAL SEALS CANNOT BE ORDERED

I0000295
PR: t05g29o29b0019

4010 & 4110 COULTER RIPPER
SERVICE PARTS

4" X 16" CROSS LIFT CYLINDER
(VERSION 1, PRIOR TO 9/16/03)



00296

**4010 & 4110 COULTER RIPPER
SERVICE PARTS**

51

**4" X 16" CROSS LIFT CYLINDER
(VERSION 1, PRIOR TO 9/16/03)**

ITEM	NUMBER	QTY	DESCRIPTION
1	SN3164		5/16" X 2" ROLL PIN
2	SN5340		1 1/4" X 4 1/16" PIN
3	SN8693-10		BASE, 4"
4	SN8779-1		SEAL KIT, 4", 1 3/4" ROD
5	SN8683-1		PISTON NUT, 1"
6	SN8713-1		PISTON, 4" W/1" HOLE
7	SN8915-1		1 3/4" ROD
8	SN8833-1		TUBE, 4" X 16"
9	SN8634-1		FEED TUBE
10	SN8635-1		SPRING
11	SN8746-10		HEAD, 4", 1 3/4" ROD
12	SN8636-1		CARTRIDGE ASSEMBLY
13	SN8640-1		ACTUATOR ASSEMBLY
14	SN8619-1		CLEVIS, 1 1/4" THREADS
15	SN5339		1" X 4 1/16" PIN
16	SN8631-1		CAPSCREW
	SN8671-1		CAPSCREW NUT
17	SN8864-1		TIE ROD NUT
18	SN8843-1		TIE ROD BOLT
	SN4441		4" X 16" CROSS W/STROKE CONTROL (VERSION 1)

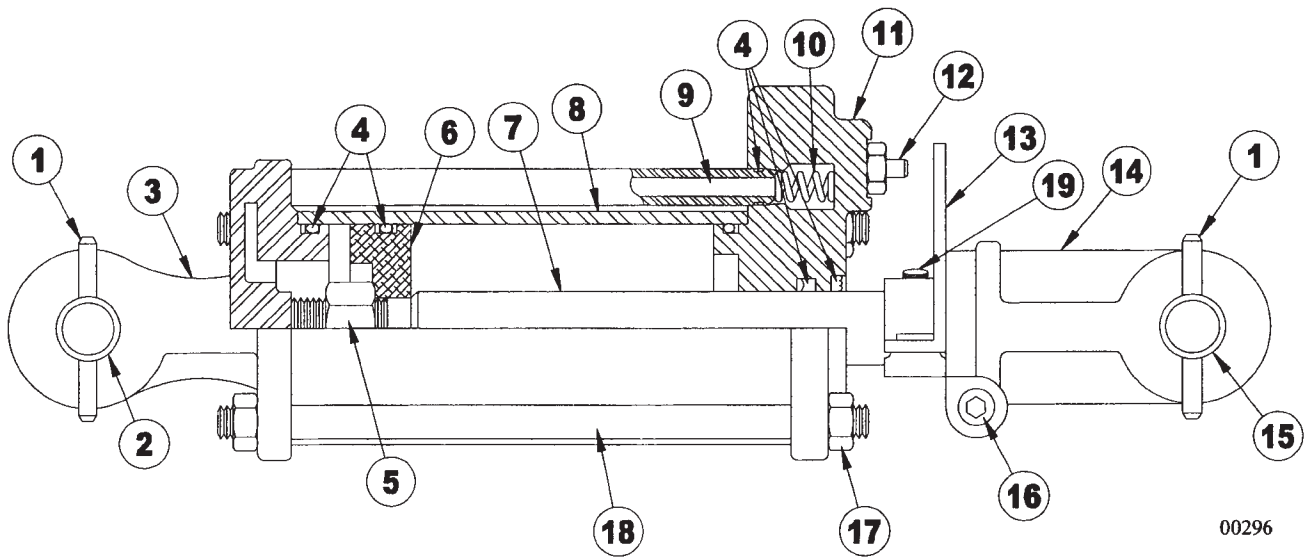
NOTE: WHEN ORDERING HYDRAULIC CYLINDER COMPONENTS, BE SURE TO NOTE THE PART NUMBER AND CYLINDER PSI. (LOCATED ON THE CYLINDER DECAL) AS THEY CONTAIN DIFFERENT COMPONENTS. OLDER CYLINDERS WERE 2500 PSI AND THE NEWER CYLINDERS ARE 3000 PSI. IDENTIFYING THE PART NUMBER OF THE CYLINDER IS EXTREMELY IMPORTANT WHEN ORDERING PARTS TO ENSURE PROPER OPERATION OF THE HYDRAULIC CYLINDER.

NOTE: INDIVIDUAL SEALS CANNOT BE ORDERED

I0000296
PR: t05g29o29b0020

4010 & 4110 COULTER RIPPER
SERVICE PARTS

4" X 16" CROSS LIFT CYLINDER
(VERSION 2, 9/16/03 & LATER)



00296

**4010 & 4110 COULTER RIPPER
SERVICE PARTS**

53

**4" X 16" CROSS LIFT CYLINDER
(VERSION 2, 9/16/03 & LATER)**

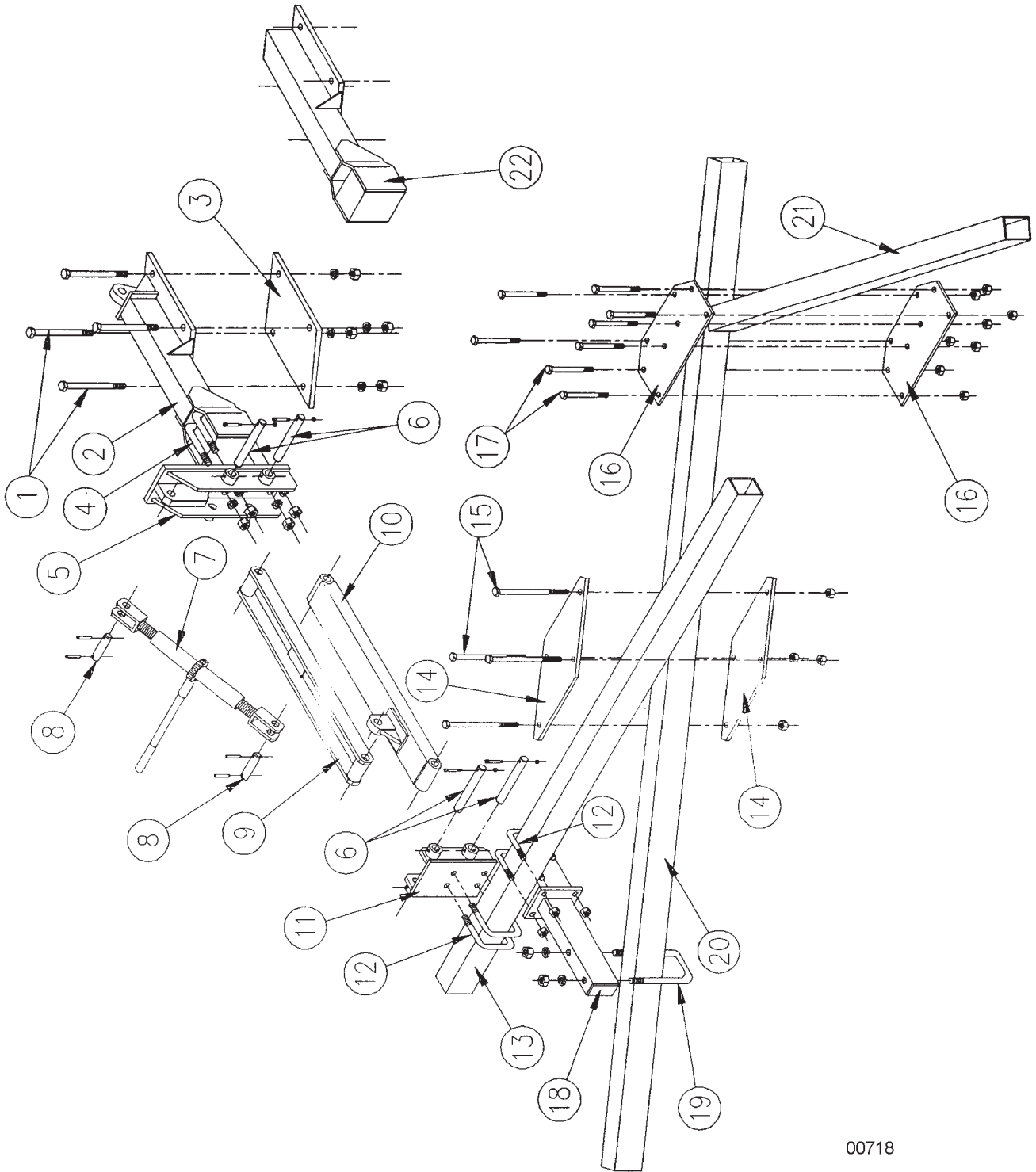
ITEM	NUMBER	QTY	DESCRIPTION
1	SN3164		5/16" X 2" ROLL PIN
2	SN5340		1 1/4" X 4 1/16" PIN
3	SN8693-10		BASE, 4"
4	SN8779-1		SEAL KIT, 4", 1 3/4" ROD
5	SN8683-1		PISTON NUT, 1"
6	SN12054		PISTON, 4" W/1" HOLE
7	SN8915-1		1 3/4" ROD
8	SN8833-1		TUBE, 4" X 16"
9	SN8634-1		FEED TUBE
10	SN8635-1		SPRING
11	SN8746-10		HEAD, 4", 1 3/4" ROD
12	SN8636-1		CARTRIDGE ASSEMBLY
13	SN8643-1		ACTUATOR ASSEMBLY
14	SN8619-1		CLEVIS, 1 1/4" THREADS
15	SN5339		1" X 4 1/16" PIN
16	SN8631-1		CAPSCREW
	SN8671-1		CAPSCREW NUT
17	SN8864-1		TIE ROD NUT
18	SN12053		TIE ROD BOLT
	SN12048		CYLINDER, 4" X 16" W/STR CROSS, 3000 PSI (VERSION 2)

NOTE: WHEN ORDERING HYDRAULIC CYLINDER COMPONENTS, BE SURE TO NOTE THE PART NUMBER AND CYLINDER PSI. (LOCATED ON THE CYLINDER DECAL) AS THEY CONTAIN DIFFERENT COMPONENTS. OLDER CYLINDERS WERE 2500 PSI AND THE NEWER CYLINDERS ARE 3000 PSI. IDENTIFYING THE PART NUMBER OF THE CYLINDER IS EXTREMELY IMPORTANT WHEN ORDERING PARTS TO ENSURE PROPER OPERATION OF THE HYDRAULIC CYLINDER.

NOTE: INDIVIDUAL SEALS CANNOT BE ORDERED

I0000296
PR: t05g29o29b0021

V-LEVELER ASSEMBLY



**4010 & 4110 COULTER RIPPER
FINISHING ATTACHMENTS**

55

V-LEVELER ASSEMBLY

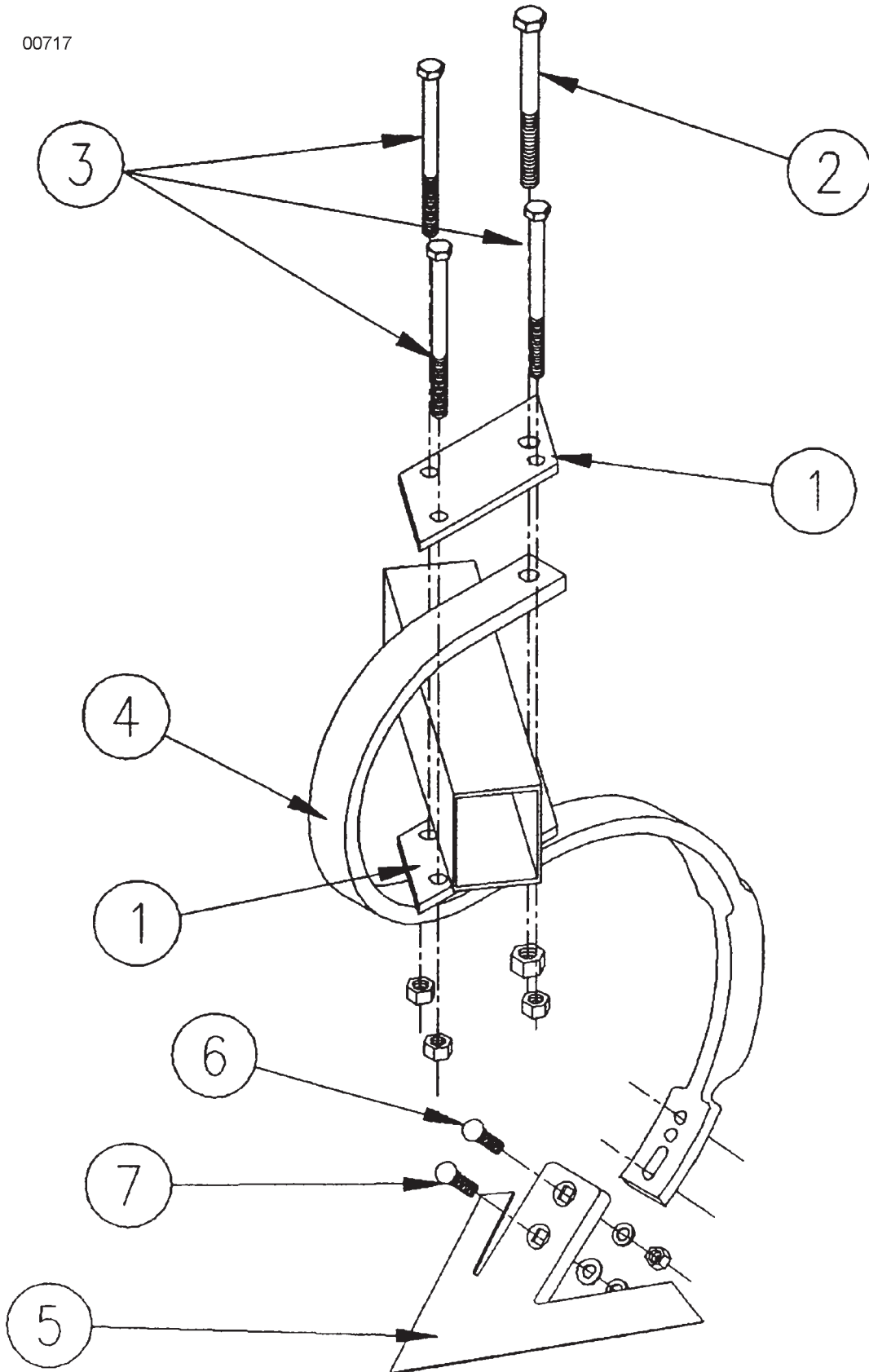
ITEM	NUMBER	QTY	DESCRIPTION
1	SN2148		3/4" X 8 1/2" HEX BOLT
	SN1040		3/4" LOCK WASHER
	SN106		3/4" HEX NUT
2	SN5866		LEVELER ARM W/GAUGE WHL. MT., RIGHT
	SN5867		LEVELER ARM W/GAUGE WHL. MT., LEFT
3	SN5226		SHANK MOUNT PLATE
4	SN3763		3/4" X 5 3/4" X 6 3/4" W. U-BOLT
	SN1040		3/4" LOCK WASHER
	SN106		3/4" HEX NUT
5	SN3766		FRAME MOUNTING PLATE
6	SN3163		1" X 7 1/2" PIN
	SN3880		5/16" X 1 3/4" SHOULDER BOLT
	SN3881		1/4" LOCK NUT
7	SN2893		RATCHET JACK
	SN3785		HANDLE, RATCHET JACK
8	SN5385		1" X 3" PIN
	SN3164		5/16" X 2" ROLL PIN
9	SN3769		TOP LINK
10	SN3768		BOTTOM LINK
11	SN3767		TOOL BAR MOUNTING PLATE
12	SN3306		5/8" X 4 1/2" X 4 5/8" W. U-BOLT
	SN669-1		5/8" LOCK NUT
	SN5871		96" TOOL BAR
13	SN5633		120" TOOL BAR
	SN5869		134" TOOL BAR
	SN5874		4 HOLE CLAMP PLATE
14	SN2584		5/8" X 10" HEX BOLT
	SN669-1		5/8" LOCK NUT
16	SN5873		8 HOLE CLAMP PLATE
17	SN1672		5/8" X 6" HEX BOLT
	SN669-1		5/8" LOCK NUT
18	SN5868		LEVELER MOUNT
19	SN3755		3/4" X 8 3/4" X 4 13/16 W. U-BOLT
	SN1040		3/4" LOCK WASHER
	SN106		3/4" HEX NUT
20	SN5741		75" TOOL BAR
AND	SN5871		96" TOOL BAR
21	SN3771		105" TOOL BAR
	SN5633		120" TOOL BAR
	SN3772		126" TOOL BAR
	SN5869		134" TOOL BAR
	SN5872		158" TOOL BAR
	SN5862		LEVELER ARM, SHORT RIGHT
22	SN5863		LEVELER ARM, SHORT LEFT

I0000718
PR: t05g29o29b0022

4010 & 4110 COULTER RIPPER
FINISHING ATTACHMENTS

S-TINE SHANK ASSEMBLY

00717



**4010 & 4110 COULTER RIPPER
FINISHING ATTACHMENTS**

57

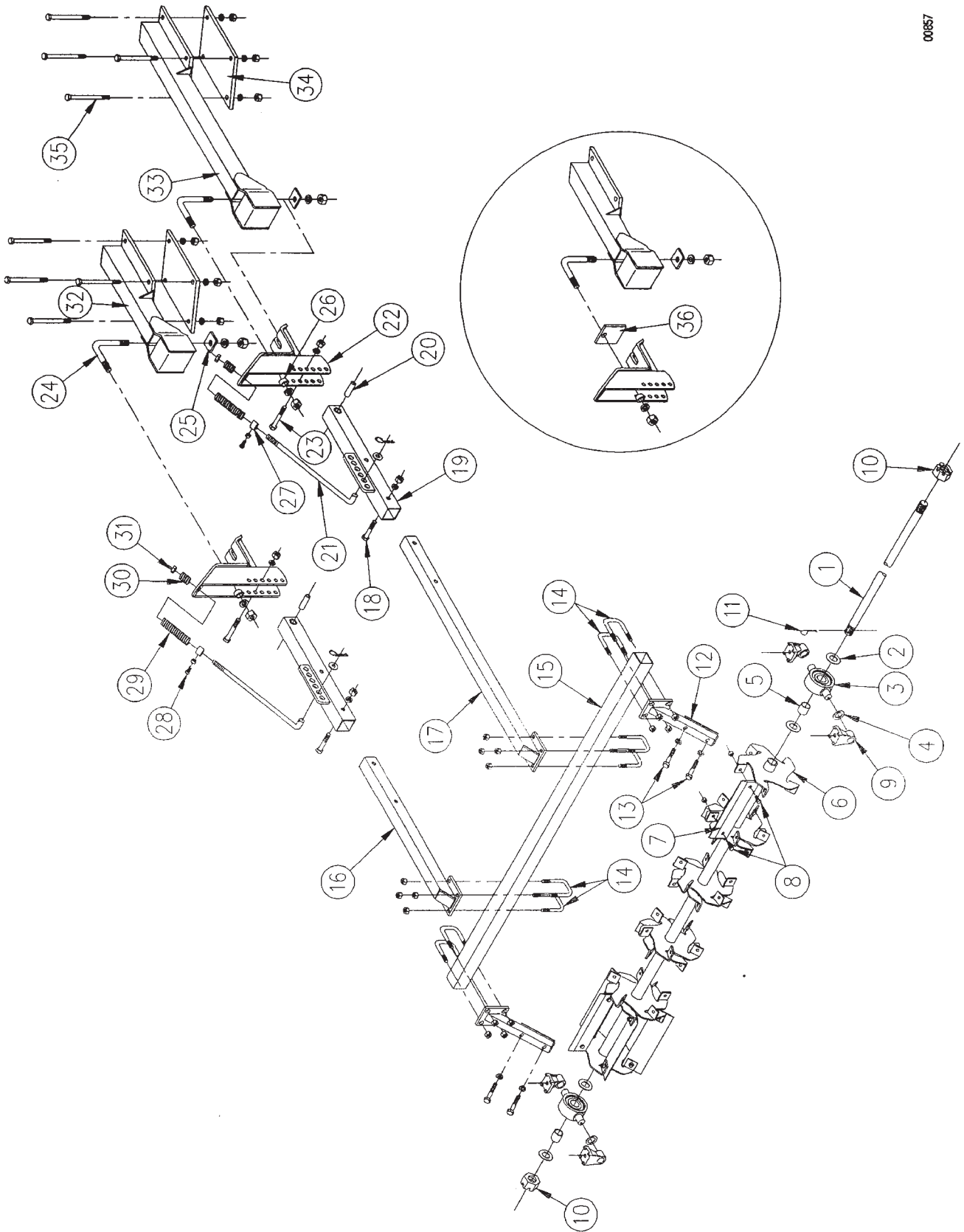
S-TINE SHANK ASSEMBLY

ITEM	NUMBER	QTY	DESCRIPTION
1	SN5875		CLAMP PLATE, S-TINE
2	SN1308		5/8" X 6 1/2" HEX BOLT
	SN669-1		5/8" LOCK NUT
3	SN3568		1/2" X 6 1/2" HEX BOLT
	SN2096		1/2" LOCK NUT
4	SN3821		S-TINE SHANK, 5/8" X 1 3/4" X 24"
5	SN3055		4" PLAIN SWEEP
6	SN3050		7/16" X 1 1/2" PLOW BOLT
	SN302		7/16" LOCK WASHER
	SN303		7/16" HEX NUT
7	SN3050		7/16" X 1 1/2" PLOW BOLT
	SN305		7/16" FLAT WASHER
	SN302		7/16" LOCK WASHER
	SN303		7/16" HEX NUT

I0000717
PR: t05g29o29b0023

CHOPPER REEL ASSEMBLY

00857



**4010 & 4110 COULTER RIPPER
CHOPPER REEL**

59

CHOPPER REEL ASSEMBLY

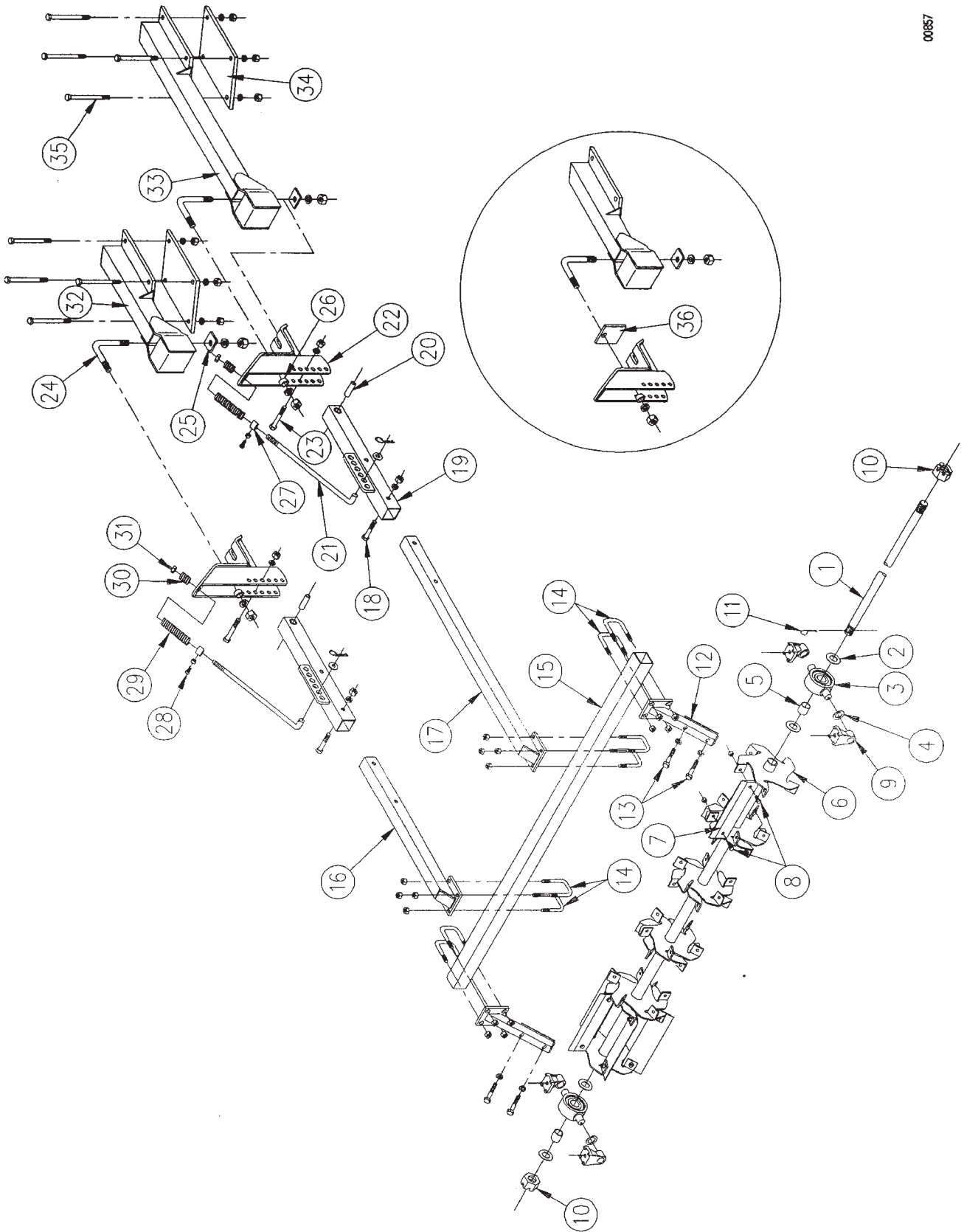
ITEM	NUMBER	QTY	DESCRIPTION
1	SN5545		70 5/8" SHAFT, 1 1/2" DIA.
	SN5546		85 5/8" SHAFT, 1 1/2" DIA.
	SN5547		100 5/8" SHAFT, 1 1/2" DIA.
2	SN2755		FLAT WASHER, 1 9/16 I.D. X 2 13/16 O.D.
3	SN3090		TRUNNION BEARING COMPLETE
4	SN3095		FLAT WASHER, 1 1/2" I.D. X 2 1/4" O.D.
5	SN5527B		BUSHING
6	SN5573		60" REEL W/BLADES
	SN5574		75" REEL W/BLADES
	SN5575		90" REEL W/BLADES
	SN5524		60" REEL
	SN5525		75" REEL
	SN5526		90" REEL
7	SN5529		REEL BLADE
8	SN1823		1/2" X 1 1/4" HEX BOLT
	SN2096		1/2" LOCK NUT
9	SN3096		TRUNNION BEARING MOUNT
10	SN1456		1 1/2" SLOTTED FULL NUT
11	SN108		5/16" X 2 1/2" COTTER PIN
12	SN5884		HARROW MOUNTING ARM
13	SN1599		3/4" X 4 HEX BOLT
	SN1040		3/4" LOCK WASHER
14	SN5515		5/8" X 4 1/2" X 3 5/8" W. U-BOLT
	SN669-1		5/8" LOCK NUT
15	SN5511		85 1/4" GANG BAR
	SN5512		100 1/4" GANG BAR
	SN6311		130" GANG BAR
16	SN5885		REEL MOUNTING ARM, 37 1/4"
17	SN5894		REEL MOUNTING ARM, 57 1/4"
18	SN1599		3/4" X 4 HEX BOLT
	SN1040		3/4" LOCK WASHER
	SN106		3/4" HEX NUT
19	SN4789		FRAME PIVOT TUBE
20	SNFK501168		BUSHING
21	SN7000		HARROW ADJUSTING ROD, 27 1/2" L.
	SNFK501164		HARROW ADJUSTING ROD, 23 1/2" L.
	SNFK150173		1" FLAT WASHER
	SN71L-2901		PIN CLIP, 3 1/8" L.

CONTINUED

I0000857
PR: t05g29o29b0024

CHOPPER REEL ASSEMBLY

00857



**4010 & 4110 COULTER RIPPER
CHOPPER REEL**

61

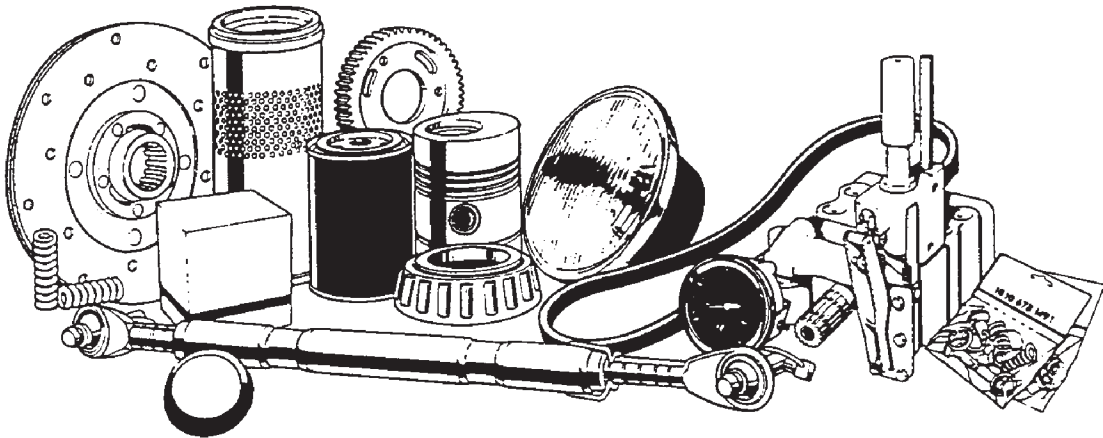
CHOPPER REEL ASSEMBLY

ITEM	NUMBER	QTY	DESCRIPTION
22	SN6999		MOUNTING BRACKET, 6 HOLE
	SN4884R		MOUNTING BRACKET, 5 HOLE
23	SN821		3/4" X 5" HEX BOLT
	SN1040		3/4" LOCK WASHER
	SN106		3/4" HEX NUT
24	SNFK150264		L-BOLT, 1" X 7" X 8"
	SN1283		1" LOCK WASHER
	SN110		1" HEX NUT
25	SNFK501229		MOUNTING WEDGE
26	SN4885		SPACER BUSHING
27	SNFK351023		ADJUSTING ROD LOCK COLLAR
28	SN2078		1/2" X 1" SET SCREW
	SN159		1/2" JAM NUT
29	SNFK361003		LOWER ADJUSTING ROD SPRING
30	SNFK361002		UPPER ADJUSTING ROD SPRING
31	SN3938		1" HEX NYLON LOCK NUT
32	SN5862		RIGHT LEVELER ARM, SHORT
	SN5864		RIGHT LEVELER ARM, LONG
33	SN5863		LEFT LEVELER ARM, SHORT
	SN5865		LEFT LEVELER ARM, LONG
34	SN5226		SHANK MOUNT PLATE, 35 DEG.
35	SN2148		3/4" X 8 1/2" HEX BOLT
	SN1040		3/4" LOCK WASHER
	SN106		3/4" HEX NUT
36	SNFK503001		SPACER PLATE (4010-7 SHANK 24" SPACING ONLY)

I0000857
PR: t05g29o29b0024

RECOMMENDED DEALER STOCK

RECOMMENDED DEALER'S STOCK



**4010 & 4110 COULTER RIPPER
RECOMMENDED DEALER LIST**

63

RECOMMENDED DEALER STOCK

ITEM	NUMBER	QTY	DESCRIPTION
-	SN5202	2	1 1/4" X 4" X 40" SHANK
-	SN3302	1	1" SLOTTED FULL NUT
-	SN3273	4	19.94" COULTER BLADE, 1 3/4" BORE, 4 GA.
-	SN2812-1	4	20" COULTER BLADE, 1 3/4" BORE, 6 GA.
-	SN3055	5	4" PLAIN SWEEP
-	SN3117	6	9/16" - 18 THREADED LUG NUT
-	SN3118	6	9/16" X 1 7/8" PRESS IN LUG BOLT
-	SN5527B	2	BUSHING
-	SN1610	1	DUST CAP
-	SN2755	2	FLAT WASHER, 1 9/16" I.D. X 2 13/16"
-	SN5370	1	HITCH CLEVIS BUSHING
-	SN1935	2	INNER BEARING (LM501349)
-	SN1936	2	INNER RACE (LM501310)
-	SNFK150264	2	L-BOLT, 1" X 7" X 8"
-	SN1606	2	OUTER BEARING (LM67048)
-	SN1605	2	OUTER RACE (LM67010)
-	SN5273	4	POINT, 1" X 2 1/2" X 12"
-	SN5274	4	POINT, 1" X 2 1/2" X 12" W/CHROME CAP
-	SN8776-1	2	SEAL KIT, 3 3/4", 1 3/8" ROD
-	SN8779-1	2	SEAL KIT, 4", 1 3/4" ROD
-	SN8781-1	2	SEAL KIT, 4", 1 3/8" ROD
-	SN3300	1	SIX BOLT HUB ASSEMBLY W/3301 SEAL
-	SN7001	1	SMV EMBLEM
-	SN3821	2	S-TINE SHANK, 5/8" X 1 3/4" X 24"
-	SN3301	2	TRIPLE LIP SEAL
-	SN3090	2	TRUNNION BEARING COMPLETE
-	SN6277	2	U-BOLT, 1/2"-13 X 5 1/2" X 1 13/16" W,

NOTE: THIS PARTS STOCK LIST
INDICATES THOSE ITEMS RECOMMENDED
TO SERVICE ONE UNIT.

RDL
PR: t05g29o29b0025

CHISEL PLOWS

PARTS CATALOG

SUNFLOWER®
4510 DISC CHISEL

RECOMMENDED DEALER LIST

RECOMMENDED DEALER STOCK..... 73

SERVICE PARTS

AUTO-RESET SHANK ASSEMBLY 59
DECAL PLACEMENT 69
FRAME ASSEMBLY 7
FRONT DEPTH CONTROL INDICATOR ASSEMBLY 53
FRONT GANG LIFT HYDRAULICS 27
FRONT GANG MOUNTING 47
INDIVIDUAL CENTER BLADE ASSEMBLY 41
INDIVIDUAL FRONT BLADE ASSEMBLY 39
LIFT ASSEMBLY 9
LIFT HYDRAULICS ASSEMBLY 21
LIGHT KIT ASSEMBLY (5838) 63
LIGHT KIT MOUNTING BRACKET 61
REAR DEPTH CONTROL INDICATOR ASSEMBLY 55
REAR GANG ASSEMBLY 43
REAR GANG LIFT HYDRAULICS 29
REAR GANG MOUNTING 49
REAR SCRAPER BAR ASSEMBLY 45
REAR TOW HITCH W/BALL JOINT 65
REAR TOW HITCH W/HITCH SLIDE & BALL JOINT 67
RIGID SHANK ASSEMBLY 57
SAFETY SIGN PLACEMENT 71
SELF-LEVELER ASSEMBLY 17
SPINDLE AND WHEEL ASSEMBLY 11
STROKE CONTROL ASSEMBLY 19
TONGUE ASSEMBLY 15
TONGUE MOUNT ASSEMBLY 13
TRUNNION BEARING ASSEMBLY 51
3 1/2" X 16" HYDRAULIC CYLINDER 12043R VERSION 2, 10/22/03 & LATER 25
3 1/2" X 16" HYDRAULIC CYLINDER 4429 (VERSION 1, PRIOR TO 10/22/03) 23
3 1/2" X 8" HYDRAULIC CYLINDER 12061R (VERSION 2, 6/27/03 & LATER) 33
3 1/2" X 8" HYDRAULIC CYLINDER 4439 (VERSION 1, PRIOR TO 6/27/03) 31
3 1/4" X 8" HYDRAULIC CYLINDER 12065R (VERSION 2, 8/12/03 & LATER) 37
3 1/4" X 8" HYDRAULIC CYLINDER 4440 (VERSION 1, PRIOR TO 8/12/03) 35

4510 DISC CHISEL

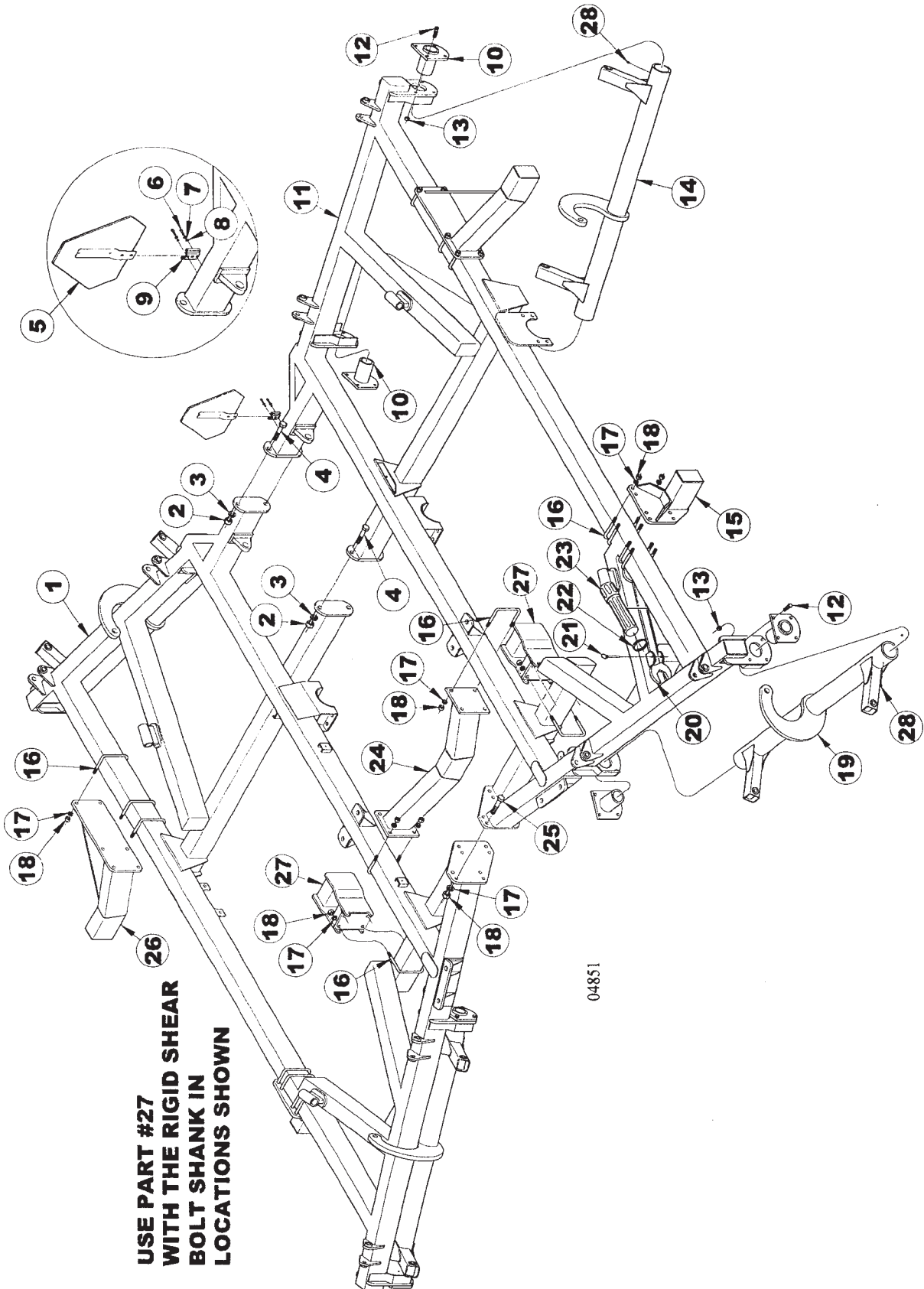
3
INDEX

Part No.	Page	Grid	Part No.	Page	Grid	Part No.	Page	Grid	Part No.	Page	Grid
SNFK150013	15	1-B 7	SN1599	17	1-B 7	SN2750	61	1-B 12	SN3754	73	1-B 13
SNFK150173	15	1-B 7	SN1602	39	1-B 9	SN2755	17	1-B 7	SN3755	57	1-B 11
SNFK150173	47	1-B 10	SN1602	73	1-B 13	SN2756	43	1-B 10	SN3755	73	1-B 13
SNFK150173	49	1-B 10	SN1603	39	1-B 9	SN2819	43	1-B 10	SN3756	57	1-B 11
SNFK310044	39	1-B 9	SN1603	73	1-B 13	SN2949	57	1-B 11	SN3757	57	1-B 11
SNFK310044	73	1-B 13	SN1605	11	1-B 7	SN2959	59	1-B 11	SN3758	57	1-B 11
SNFK330283	21	1-B 8	SN1605	39	1-B 9	SN2984	19	1-B 7	SN3759	57	1-B 11
SNFK340051	39	1-B 9	SN1605	73	1-B 13	SN2984	65	1-B 12	SN3763	7	1-B 6
SNFK340090	39	1-B 9	SN1606	11	1-B 7	SN2984	67	1-B 12	SN3763	53	1-B 11
SN10035	45	1-B 10	SN1606	39	1-B 9	SN2984	73	1-B 13	SN3763	55	1-B 11
SN1040	7	1-B 6	SN1606	73	1-B 13	SN2992	9	1-B 6	SN3763	57	1-B 11
SN1040	9	1-B 6	SN1609	15	1-B 7	SN302	11	1-B 7	SN3763	73	1-B 13
SN1040	17	1-B 7	SN1609	39	1-B 9	SN303	11	1-B 7	SN3765	7	1-B 6
SN1040	39	1-B 9	SN1609	67	1-B 12	SN3061	9	1-B 6	SN3880	45	1-B 10
SN1040	41	1-B 10	SN1610	11	1-B 7	SN3062	9	1-B 6	SN3880	59	1-B 11
SN1040	43	1-B 10	SN1610	73	1-B 13	SN3063	9	1-B 6	SN3881	7	1-B 6
SN1040	53	1-B 11	SN1611	39	1-B 9	SN3066	9	1-B 6	SN3881	45	1-B 10
SN1040	55	1-B 11	SN1611-1	39	1-B 9	SN3066	11	1-B 7	SN3881	59	1-B 11
SN1040	57	1-B 11	SN1725	57	1-B 11	SN3068	15	1-B 7	SN3881	61	1-B 12
SN1040	59	1-B 11	SN1725	59	1-B 11	SN3090	43	1-B 10	SN3937	43	1-B 10
SN1040	65	1-B 12	SN1725	73	1-B 13	SN3091	51	1-B 11	SN3938	47	1-B 10
SN1040	67	1-B 12	SN1726	57	1-B 11	SN3093	51	1-B 11	SN3938	49	1-B 10
SN10400	41	1-B 10	SN1726	59	1-B 11	SN3094	51	1-B 11	SN3984	19	1-B 7
SN105	39	1-B 9	SN1726	73	1-B 13	SN3095	43	1-B 10	SN4011005	21	1-B 8
SN105	67	1-B 12	SN175	27	1-B 8	SN3096	43	1-B 10	SN4012007	21	1-B 8
SN106	7	1-B 6	SN175	29	1-B 8	SN3117	11	1-B 7	SN4014005	21	1-B 8
SN106	9	1-B 6	SN1753	13	1-B 7	SN3117	73	1-B 13	SN4032005	21	1-B 8
SN106	17	1-B 7	SN176	27	1-B 8	SN3118	11	1-B 7	SN4146002	27	1-B 8
SN106	39	1-B 9	SN176	29	1-B 8	SN3118	73	1-B 13	SN4149003	29	1-B 8
SN106	41	1-B 10	SN1810-1	15	1-B 7	SN3163	59	1-B 11	SN4149006	21	1-B 8
SN106	43	1-B 10	SN1817	19	1-B 7	SN3164	21	1-B 8	SN4156005	21	1-B 8
SN106	53	1-B 11	SN1823	45	1-B 10	SN3164	27	1-B 8	SN4180002	29	1-B 8
SN106	55	1-B 11	SN1849	17	1-B 7	SN3164	29	1-B 8	SN4180005	21	1-B 8
SN106	57	1-B 11	SN1875	17	1-B 7	SN3165YD	15	1-B 7	SN4207002	29	1-B 8
SN106	59	1-B 11	SN1880	17	1-B 7	SN3253	21	1-B 8	SN4222002	29	1-B 8
SN106	65	1-B 12	SN1891	15	1-B 7	SN3253	27	1-B 8	SN4233002	27	1-B 8
SN106	67	1-B 12	SN1918	7	1-B 6	SN3253	29	1-B 8	SN4240002	27	1-B 8
SN108	15	1-B 7	SN1935	11	1-B 7	SN3271N	43	1-B 10	SN4429	21	1-B 8
SN108	43	1-B 10	SN1935	73	1-B 13	SN3271N	73	1-B 13	SN4439	27	1-B 8
SN109	15	1-B 7	SN1936	11	1-B 7	SN3283N	43	1-B 10	SN4439	29	1-B 8
SN110	7	1-B 6	SN1936	73	1-B 13	SN3298	11	1-B 7	SN4440	27	1-B 8
SN110	13	1-B 7	SN1937	11	1-B 7	SN330	43	1-B 10	SN4440	29	1-B 8
SN110	15	1-B 7	SN1944	11	1-B 7	SN3300	11	1-B 7	SN4453	21	1-B 8
SN1122	7	1-B 6	SN198	65	1-B 12	SN3300	73	1-B 13	SN4455	27	1-B 8
SN12015	25	1-B 8	SN198	67	1-B 12	SN3301	11	1-B 7	SN4455	29	1-B 8
SN12015	73	1-B 13	SN198	73	1-B 13	SN3301	73	1-B 13	SN4457	21	1-B 8
SN12018	25	1-B 8	SN2008	43	1-B 10	SN3302	11	1-B 7	SN4458	21	1-B 8
SN12040	25	1-B 8	SN2036	43	1-B 10	SN3302	73	1-B 13	SN4458	23	1-B 8
SN12041	25	1-B 8	SN2037	43	1-B 10	SN3303	11	1-B 7	SN4458	25	1-B 8
SN12042	25	1-B 8	SN2079	15	1-B 7	SN3303	73	1-B 13	SN4458	31	1-B 9
SN12043	21	1-B 8	SN2079	27	1-B 8	SN3331	9	1-B 6	SN4458	33	1-B 9
SN12061	27	1-B 8	SN2079	29	1-B 8	SN3363	67	1-B 12	SN4458	35	1-B 9
SN12061	29	1-B 8	SN2079	59	1-B 11	SN3364	67	1-B 12	SN4458	37	1-B 9
SN12062	33	1-B 9	SN2085	15	1-B 7	SN3365	67	1-B 12	SN4462	21	1-B 8
SN12062	37	1-B 9	SN2088	15	1-B 7	SN3365	73	1-B 13	SN4484	21	1-B 8
SN12063	33	1-B 9	SN2096	19	1-B 7	SN3366	67	1-B 12	SN4485	21	1-B 8
SN12064	33	1-B 9	SN2098-1	17	1-B 7	SN3366	73	1-B 13	SN4623	27	1-B 8
SN12064	37	1-B 9	SN2098-5	9	1-B 6	SN3367	67	1-B 12	SN4623	29	1-B 8
SN12065	27	1-B 8	SN2098-6	7	1-B 6	SN3369	15	1-B 7	SN4700	65	1-B 12
SN12065	29	1-B 8	SN2339	15	1-B 7	SN3369	73	1-B 13	SN4732	19	1-B 7
SN12066	37	1-B 9	SN2425	27	1-B 8	SN3371	19	1-B 7	SN4739	67	1-B 12
SN1220	9	1-B 6	SN2425	29	1-B 8	SN3565	27	1-B 8	SN4740	67	1-B 12
SN12268	21	1-B 8	SN2426	21	1-B 8	SN3567	15	1-B 7	SN4810	57	1-B 11
SN1243	19	1-B 7	SN2428	21	1-B 8	SN3567	19	1-B 7	SN4810	59	1-B 11
SN12452	9	1-B 6	SN245	9	1-B 6	SN3567	27	1-B 8	SN4810	73	1-B 13
SN1283	7	1-B 6	SN2487	29	1-B 8	SN3577	11	1-B 7	SN486	19	1-B 7
SN1283	13	1-B 7	SN2491	39	1-B 9	SN3581	11	1-B 7	SN486	43	1-B 10
SN1283	15	1-B 7	SN2555	45	1-B 10	SN3587	11	1-B 7	SN486	57	1-B 11
SN1283	17	1-B 7	SN2566	7	1-B 6	SN3669	9	1-B 6	SN486	59	1-B 11
SN1298	7	1-B 6	SN2568	7	1-B 6	SN3723	19	1-B 7	SN4924	51	1-B 11
SN1304	59	1-B 11	SN2585	11	1-B 7	SN3724	19	1-B 7	SN4925	51	1-B 11
SN140	19	1-B 7	SN2587	63	1-B 12	SN3750	7	1-B 6	SN4944	19	1-B 7
SN140	53	1-B 11	SN2686N	43	1-B 10	SN3751	57	1-B 11	SN506	7	1-B 6
SN140	55	1-B 11	SN2686N	73	1-B 13	SN3753B	57	1-B 11	SN5130	7	1-B 6
SN156	57	1-B 11	SN2723B	43	1-B 10	SN3754	57	1-B 11	SN5154	21	1-B 8

INDEX

Part No.	Page	Grid	Part No.	Page	Grid	Part No.	Page	Grid	Part No.	Page	Grid
SN5172	15	1-B 7	SN7001	73	1-B 13	SN8774-1	23	1-B 8	SN9521	43	1-B 10
SN5302	27	1-B 8	SN7138	43	1-B 10	SN8774-1	73	1-B 13	SN9522	43	1-B 10
SN5302	29	1-B 8	SN7139	45	1-B 10	SN8775-1	31	1-B 9	SN9523	43	1-B 10
SN5337	51	1-B 11	SN7140	45	1-B 10	SN8775-1	33	1-B 9	SN9524	43	1-B 10
SN5338	51	1-B 11	SN7141	43	1-B 10	SN8775-1	73	1-B 13	SN9525	43	1-B 10
SN5339	27	1-B 8	SN7148	45	1-B 10	SN8819-1	35	1-B 9	SN9526	43	1-B 10
SN5339	29	1-B 8	SN7149	45	1-B 10	SN8821-1	31	1-B 9	SN9527	17	1-B 7
SN5340	21	1-B 8	SN7152	45	1-B 10	SN8823-1	23	1-B 8	SN9528	19	1-B 7
SN5347	21	1-B 8	SN7153	45	1-B 10	SN8852-1	31	1-B 9	SN9529	19	1-B 7
SN5418	59	1-B 11	SN7174	45	1-B 10	SN8852-1	35	1-B 9	SN9530	19	1-B 7
SN5418	73	1-B 13	SN7175	45	1-B 10	SN8853-1	23	1-B 8	SN9531	19	1-B 7
SN5419	59	1-B 11	SN7309	57	1-B 11	SN8862-1	23	1-B 8	SN9532	19	1-B 7
SN5421	59	1-B 11	SN7325	9	1-B 6	SN8863-1	25	1-B 8	SN9533	45	1-B 10
SN5422	59	1-B 11	SN7329	9	1-B 6	SN8863-1	31	1-B 9	SN9535	65	1-B 12
SN5424	59	1-B 11	SN7334	27	1-B 8	SN8863-1	33	1-B 9	SN9535	67	1-B 12
SN5425	59	1-B 11	SN7334	29	1-B 8	SN8863-1	35	1-B 9	SN9536	53	1-B 11
SN5426	59	1-B 11	SN7335	9	1-B 6	SN8863-1	37	1-B 9	SN9537	15	1-B 7
SN5428	59	1-B 11	SN7346	43	1-B 10	SN8889-1	31	1-B 9	SN9538R	15	1-B 7
SN5428	73	1-B 13	SN7373	53	1-B 11	SN8889-1	35	1-B 9	SN9540	65	1-B 12
SN5429	59	1-B 11	SN7373	55	1-B 11	SN8894-1	23	1-B 8	SN9541	67	1-B 12
SN5434	51	1-B 11	SN7377	39	1-B 9	SN8927-10	33	1-B 9	SN9543	43	1-B 10
SN5530	17	1-B 7	SN7423	43	1-B 10	SN8929-1	37	1-B 9	SN9549	15	1-B 7
SN5540	57	1-B 11	SN7439	45	1-B 10	SN893	41	1-B 10	SN9564	55	1-B 11
SN5540	73	1-B 13	SN7440	45	1-B 10	SN893	67	1-B 12	SN9691	43	1-B 10
SN5544	59	1-B 11	SN7599N	39	1-B 9	SN8930-10	37	1-B 9	SN9777	15	1-B 7
SN5838	63	1-B 12	SN7599N	73	1-B 13	SN8957-10	33	1-B 9	SN9969	59	1-B 11
SN5844	61	1-B 12	SN7602N	39	1-B 9	SN8972-1	25	1-B 8	SN997002	69	1-B 12
SN5844	63	1-B 12	SN7602N	73	1-B 13	SN8978-1	25	1-B 8	SN997048	71	1-B 13
SN5844	73	1-B 13	SN7604	39	1-B 9	SN9008	43	1-B 10	SN997068	69	1-B 12
SN5845	61	1-B 12	SN7807	9	1-B 6	SN9008	73	1-B 13	SN997074	71	1-B 13
SN5845	63	1-B 12	SN7858	15	1-B 7	SN9008	73	1-B 13	SN997246	69	1-B 12
SN5845	73	1-B 13	SN7863	43	1-B 10	SN9019	15	1-B 7	SN997263	69	1-B 12
SN5846	63	1-B 12	SN7892	45	1-B 10	SN9030	43	1-B 10	SN997311	71	1-B 13
SN5846	73	1-B 13	SN7893	45	1-B 10	SN9033	39	1-B 9	SN997312	71	1-B 13
SN5847	63	1-B 12	SN7903	7	1-B 6	SN9034	47	1-B 10	SN997426	69	1-B 12
SN5847	73	1-B 13	SN7998	17	1-B 7	SN9034	49	1-B 10	SN997541	69	1-B 12
SN5857	63	1-B 12	SN7999	17	1-B 7	SN9035	43	1-B 10	SN997654	39	1-B 9
SN5975	43	1-B 10	SN8610-1	31	1-B 9	SN9037	41	1-B 10	SN997654	69	1-B 12
SN5976	43	1-B 10	SN8610-1	33	1-B 9	SN9040	15	1-B 7	SN997661	71	1-B 13
SN5977	39	1-B 9	SN8610-1	35	1-B 9	SN9041	61	1-B 12	SN997662	71	1-B 13
SN5978	39	1-B 9	SN8610-1	37	1-B 9	SN9095	53	1-B 11	SN997663	71	1-B 13
SN6101	45	1-B 10	SN8614-10	37	1-B 9	SN9097	15	1-B 7	SN997792	71	1-B 13
SN6102	53	1-B 11	SN8618-1	23	1-B 8	SN9118	41	1-B 10			
SN6102	55	1-B 11	SN8618-1	25	1-B 8	SN9119	39	1-B 9			
SN6102	61	1-B 12	SN8631-1	23	1-B 8	SN9153	41	1-B 10			
SN6102	73	1-B 13	SN8631-1	25	1-B 8	SN918	39	1-B 9			
SN6103	45	1-B 10	SN8631-1	31	1-B 9	SN918	41	1-B 10			
SN6103	73	1-B 13	SN8631-1	33	1-B 9	SN9193	15	1-B 7			
SN6147	43	1-B 10	SN8631-1	35	1-B 9	SN9196	39	1-B 9			
SN6148	43	1-B 10	SN8631-1	37	1-B 9	SN9197	39	1-B 9			
SN6307	43	1-B 10	SN8660-1	33	1-B 9	SN9370	59	1-B 11			
SN6406	41	1-B 10	SN8671-1	23	1-B 8	SN9423	39	1-B 9			
SN6575	7	1-B 6	SN8671-1	25	1-B 8	SN9424	39	1-B 9			
SN669-1	7	1-B 6	SN8671-1	31	1-B 9	SN9425	39	1-B 9			
SN669-1	19	1-B 7	SN8671-1	33	1-B 9	SN9426	39	1-B 9			
SN669-1	53	1-B 11	SN8671-1	35	1-B 9	SN9493	59	1-B 11			
SN669-1	55	1-B 11	SN8671-1	37	1-B 9	SN9500R	7	1-B 6			
SN669-1	57	1-B 11	SN8683-1	25	1-B 8	SN9501R	7	1-B 6			
SN669-1	61	1-B 12	SN8683-1	31	1-B 9	SN9504R	15	1-B 7			
SN669-1	65	1-B 12	SN8683-1	33	1-B 9	SN9505R	13	1-B 7			
SN669-1	67	1-B 12	SN8683-1	35	1-B 9	SN9506	9	1-B 6			
SN6732	45	1-B 10	SN8683-1	37	1-B 9	SN9507	7	1-B 6			
SN6733	45	1-B 10	SN8686-1	23	1-B 8	SN9508	7	1-B 6			
SN6734	45	1-B 10	SN8700-10	31	1-B 9	SN9509	7	1-B 6			
SN6773	45	1-B 10	SN8704-10	23	1-B 8	SN9510	7	1-B 6			
SN6773	73	1-B 13	SN8709-10	35	1-B 9	SN9511	7	1-B 6			
SN6875	15	1-B 7	SN8710-1	35	1-B 9	SN9512	7	1-B 6			
SN6876	15	1-B 7	SN8712-1	23	1-B 8	SN9513	7	1-B 6			
SN6877	15	1-B 7	SN8716-1	31	1-B 9	SN9514	7	1-B 6			
SN6878	15	1-B 7	SN8725-10	35	1-B 9	SN9515	39	1-B 9			
SN6879	15	1-B 7	SN8734-10	23	1-B 8	SN9516	39	1-B 9			
SN6923R	7	1-B 6	SN8735-10	31	1-B 9	SN9517	39	1-B 9			
SN6925	21	1-B 8	SN8767-1	35	1-B 9	SN9518	39	1-B 9			
SN6930	19	1-B 7	SN8767-1	37	1-B 9	SN9519	39	1-B 9			
SN7001	7	1-B 6	SN8767-1	73	1-B 13	SN9520	39	1-B 9			

FRAME ASSEMBLY



**4510 DISC CHISEL
SERVICE PARTS**

7

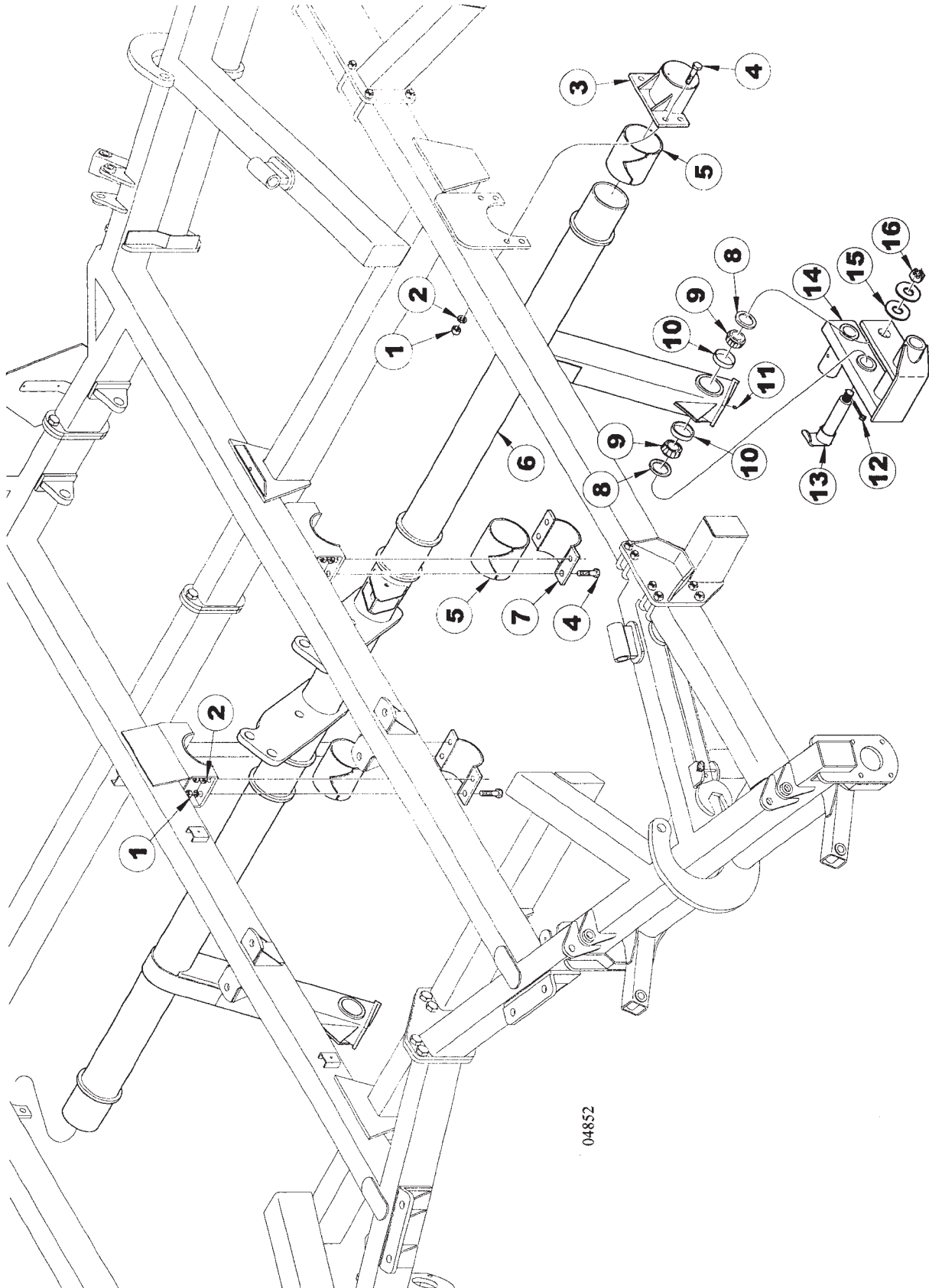
FRAME ASSEMBLY

ITEM	NUMBER	QTY	DESCRIPTION
1	SN9500R		MAIN FRAME, 4510
2	SN110		HEX NUT, 1"-8 FULL, GR 5, Z/P
3	SN1283		LOCK WASHER, 1" SPLIT TYPE MED, Z/P
4	SN1918		HEX BOLT, 1"-8 X 2 1/2", GR 5 Z/P
5	SN7001		SMV EMBLEM
6	SN2568		HEX BOLT, 1/4"-20 X 3/4", GR 5 Y/D
7	SN506		FLAT WASHER, 1/4", Z/P
8	SN3881		LOCK NUT, 1/4"-20 HEX NYLON INSERT
9	SN2566		S.M.V. SOCKET
10	SN5130		LIFT BEARING
11	SN9501R		MAIN FRAME, 4510 LT
12	SN1298		HEX BOLT, 5/8"-11 X 2 1/2", GR 5, Z/P
13	SN669-1		LOCK NUT, 5/8" HEX NYLON INSERT
14	SN9514		GANG LIFT, LT RR
	SN9513		GANG LIFT, RT RR
15	SN9508		SHANK EXTENSION
16	SN3763		U-BOLT, 3/4"-10 X 5 3/4" X 6 3/4"
17	SN1040		LOCK WASHER, 3/4" SPLIT TYPE MED, Z/P
18	SN106		HEX NUT, 3/4"-10 FULL, GR 5, Z/P
19	SN9512		GANG LIFT, LT FRT
	SN9511		GANG LIFT, RT FRT
20	SN6923R		WRENCH, TONGUE ADJUSTMENT
21	SN6575		BALL LOCK PIN, 3/8" X 3 1/2" (3 1/8")
22	SN3765		HOSE CLAMP, 3 1/2"
23	SN3750		OPERATOR'S MANUAL TUBE
24	SN9507		SHANK MOUNT, CENTER
25	SN1122		HEX BOLT, 3/4"-10 X 2 1/2", GR 5, Z/P
26	SN9509		SHANK EXTENSION, RIGHT
	SN9510		SHANK EXTENSION, LEFT
27	SN7903		SHANK MOUNT, OFFSET
28	SN2098-6		GREASE ZERK, 1/4"-28, 17/32" L

I0004851
PR: t05g29j22d0001

4510 DISC CHISEL
SERVICE PARTS

LIFT ASSEMBLY



04852

**4510 DISC CHISEL
SERVICE PARTS**

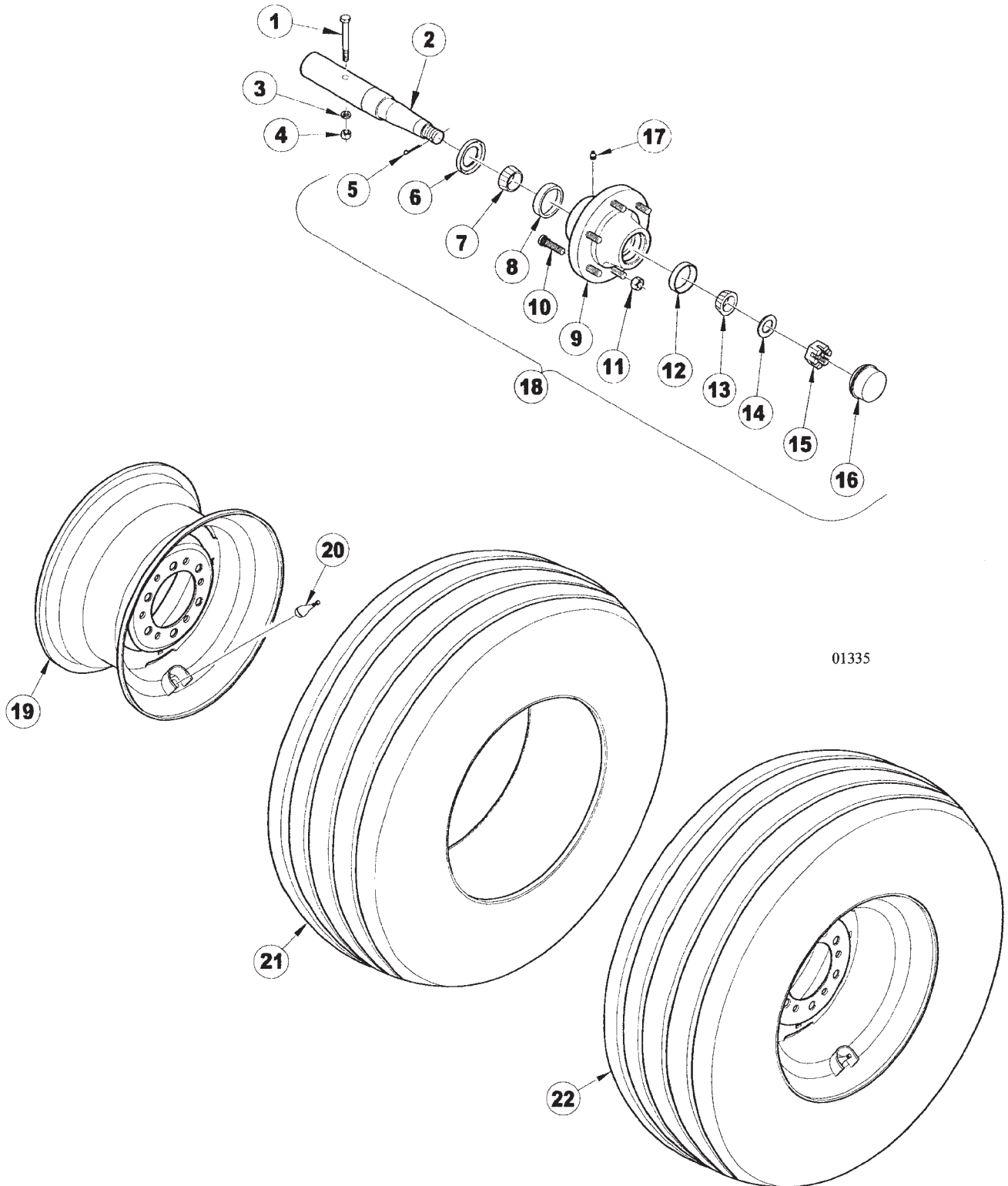
9

LIFT ASSEMBLY

ITEM	NUMBER	QTY	DESCRIPTION
1	SN106		HEX NUT, 3/4"-10 FULL, GR 5, Z/P
2	SN1040		LOCK WASHER, 3/4" SPLIT TYPE MED, Z/P
3	SN7335		BEARING CAP
4	SN1220		HEX BOLT, 3/4"-10 X 2", GR 5 Z/P
5	SN7325		BEARING, LIFT (SPLIT) 6" WIDE
6	SN9506		MAIN LIFT, 4510
7	SN7329		BEARING CAP
8	SN3063		WALKING BEAM SEAL (NAT.204035 C/R 22870)
9	SN3061		WALKING BEAM BEARING (342A)
10	SN3062		WALKING BEAM RACE (332)
11	SN2098-5		GREASE ZERK, 1/8" NPTF, 1 1/4" L
12	SN3066		COTTER PIN, 7/32" X 1 1/2"
13	SN3669		SPINDLE, 2" X 10 15/16" L TANDEM PIVOT (USED WITH 12452R TANDEM PIVOT)
	SN3331		SPINDLE, 2" X 9 7/8" TANDEM PIVOT (USED WITH 7807R TANDEM PIVOT)
14	SN12452		TANDEM PIVOT (VERSION 2, USES 3669 SPINDLE)
	SN7807		TANDEM PIVOT (VERSION 1, USES 3331 SPINDLE)
15	SN245		FLAT WASHER, 1" WIDE RIM, Z/P
16	SN2992		HEX NUT, 1"-14 FULL SLOTTED GR 2, Z/P

I0004852
PR: t05g29j22d0002

SPINDLE AND WHEEL ASSEMBLY



01335

**4510 DISC CHISEL
SERVICE PARTS**

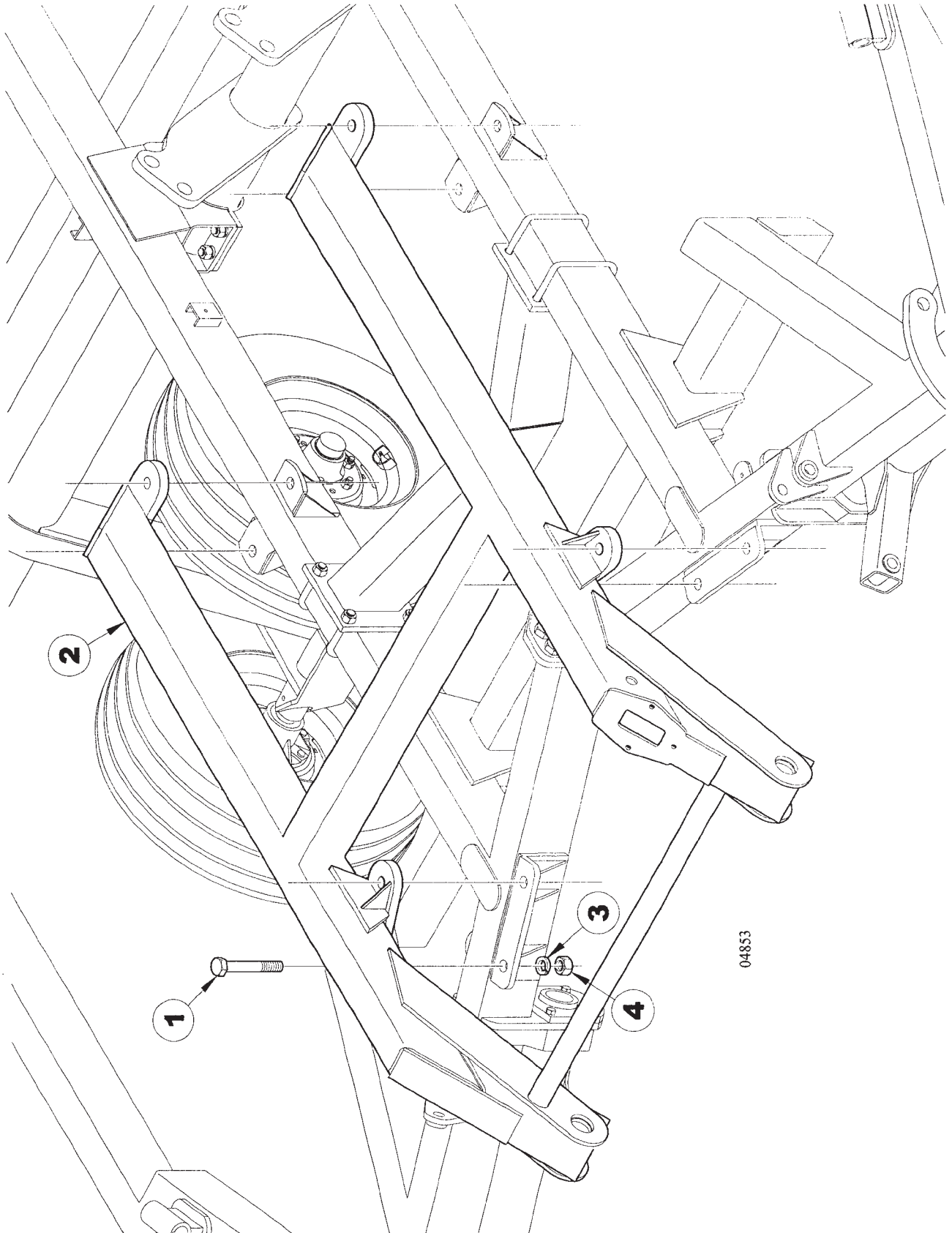
11

SPINDLE AND WHEEL ASSEMBLY

ITEM	NUMBER	QTY	DESCRIPTION
1	SN2585		HEX BOLT, 7/16"-14 X 3 1/2", GR 5, Z/P
2	SN3298		SPINDLE, 2" X 11 1/4"
3	SN302		LOCK WASHER, 7/16" SPLIT TYPE MED, Z/P
4	SN303		HEX NUT, 7/16"-14 FULL, GR 2, Z/P
5	SN3066		COTTER PIN, 7/32" X 1 1/2"
6	SN3301		TRIPLE LIP SEAL
7	SN1935		BEARING (LM501349)
8	SN1936		RACE (LM501310)
9	SN1937		SIX BOLT HUB, STUDDERED W/CUPS AND LUG NUTS, PAINTED
10	SN3118		LUG BOLT, 9/16"-18 X 1 7/8" PRESS IN, PLACE
11	SN3117		LUG NUT, 9/16"-18, GR 5, 90 DEG TAPER
12	SN1605		RACE (LM67010)
13	SN1606		BEARING (LM67048)
14	SN3303		WASHER, 1 1/32" ID X 1 3/4" ODX 1/8"
15	SN3302		HEX NUT, 1"-14 FULL SLOTTED GR 2, PL
16	SN1610		DUST CAP, 2.448" OD, Z/P
17	SN2098-6		GREASE ZERK, 1/4"-28, 17/32" L
18	SN3300		SIX BOLT HUB ASSEMBLY W/3301 SEAL
19	SN1944		WHEEL, 15 X 10, 6 BOLT
20	SN3577		VALVE STEM
21	SN3581		TIRE, 11L X 15, 12-PLY TUBELESS
22	SN3587		TIRE, 11L 12 PLY TUBELESS W/15 X 10 WHEEL ASSY 6 BOLT

I0001335
PR: t05g29j22d0003

TONGUE MOUNT ASSEMBLY



04853

**4510 DISC CHISEL
SERVICE PARTS**

13

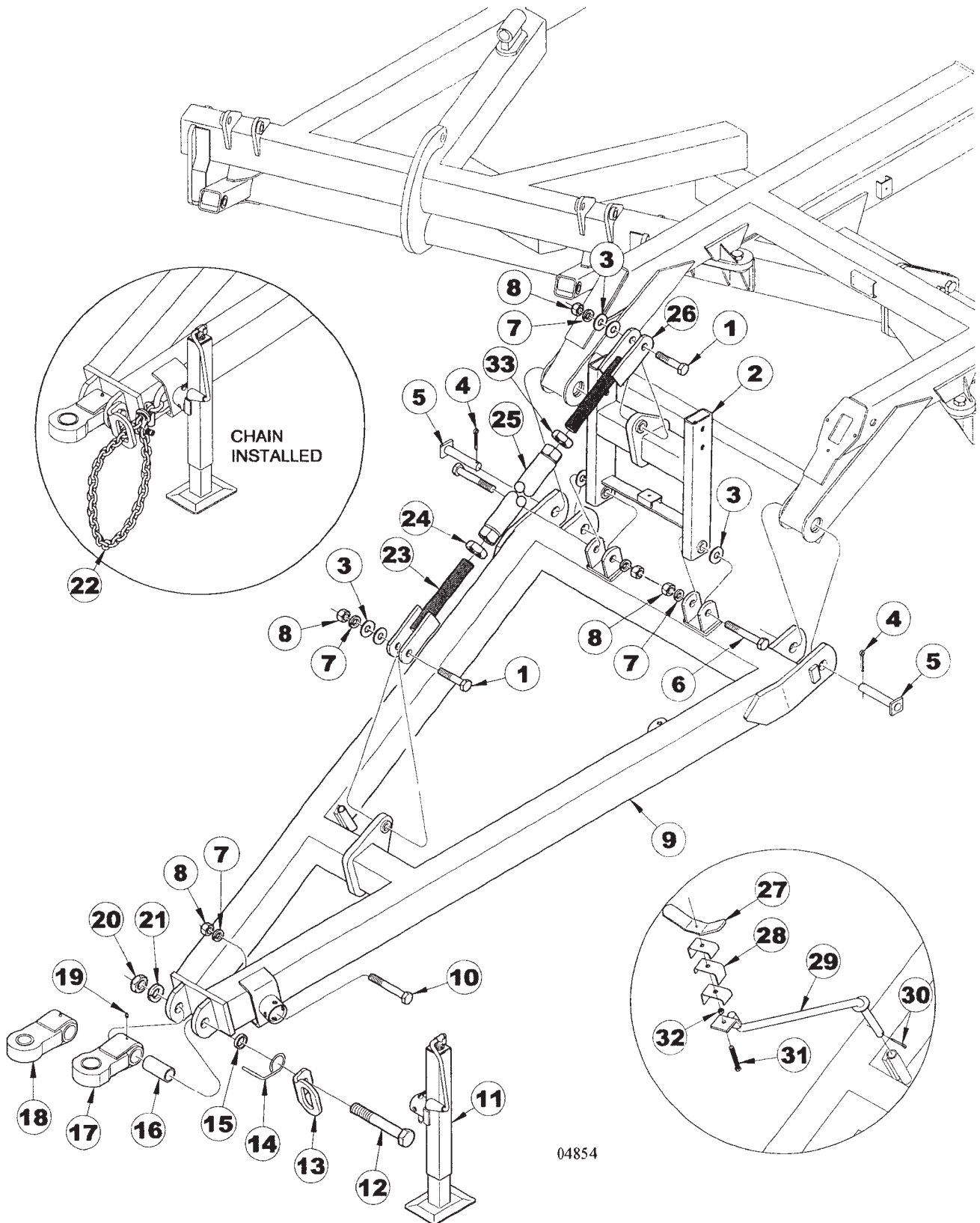
TONGUE MOUNT ASSEMBLY

ITEM	NUMBER	QTY	DESCRIPTION
1	SN1753		HEX BOLT, 1"-8 X 4" GR5, Z/P
2	SN9505R		TONGUE MOUNT
3	SN1283		LOCK WASHER, 1" SPLIT TYPE MED,Z/P
4	SN110		HEX NUT, 1"-8 FULL, GR 5, Z/P

I0004853
PR: t05g29j22d0004

4510 DISC CHISEL
SERVICE PARTS

TONGUE ASSEMBLY



04854

**4510 DISC CHISEL
SERVICE PARTS**

15

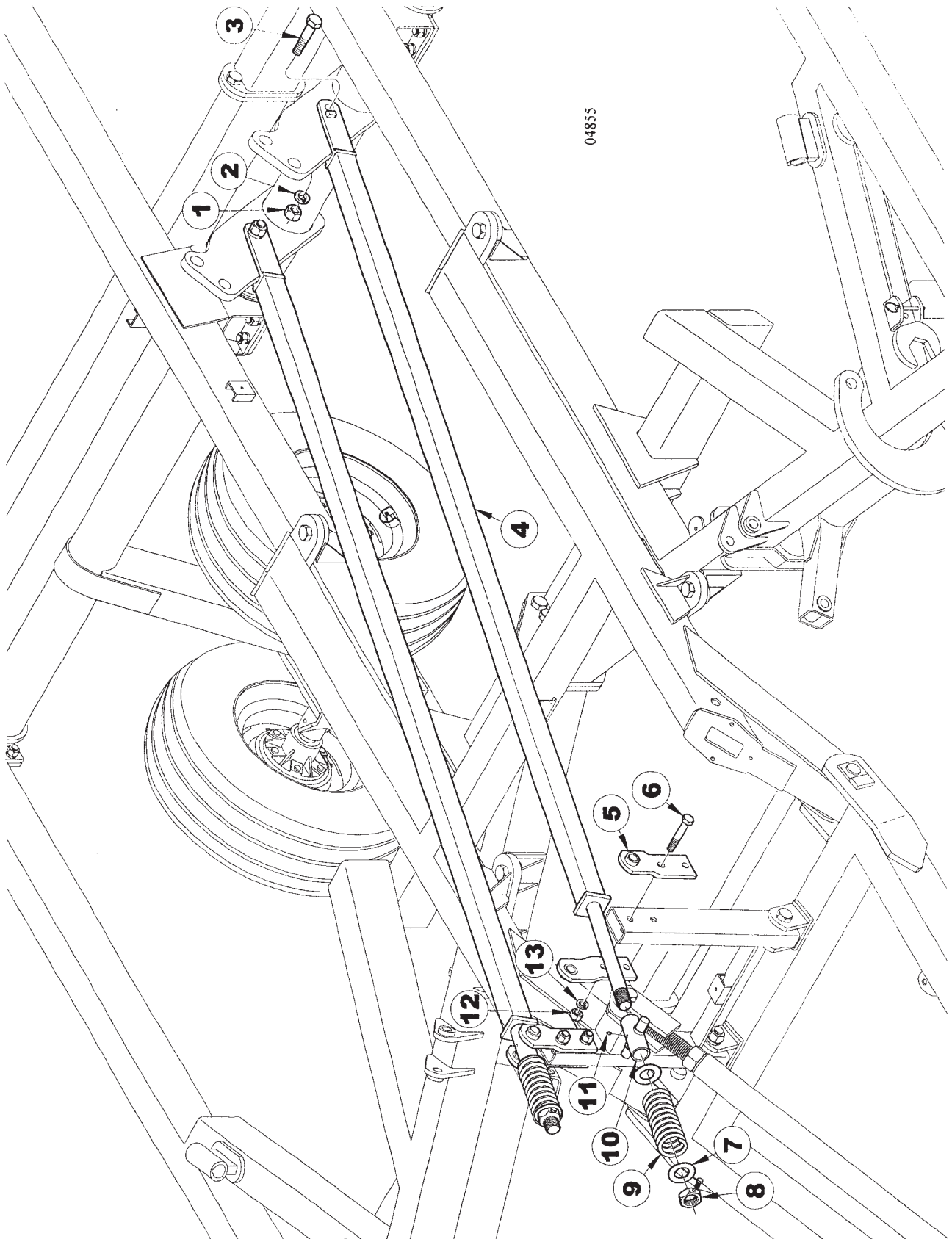
TONGUE ASSEMBLY

ITEM	NUMBER	QTY	DESCRIPTION
1	SN1891		HEX BOLT, 1"-8 X 5 1/2", GR 5 Z/P
2	SN9097		LEVELER TOWER
3	SNFK150173		FLAT WASHER, 1" SAE, Z/P
4	SN108		COTTER PIN, 5/16" X 2 1/2", Z/P
5	SN9193		PIN, 1 1/2" X 7 3/16"(6 23/32") SQHD
6	SNFK150013		HEX BOLT, 1"-8 X 5" GR 5, Z/P
7	SN1283		LOCK WASHER, 1" SPLIT TYPE MED, Z/P
8	SN110		HEX NUT, 1"-8 FULL, GR 5, Z/P
9	SN9504R		TONGUE, 4510
10	SN109		HEX BOLT, 1"-8 X 7", GR 5, Z/P
11	SN9777		LONG TONGUE JACK, SQ W/TUBE MOUNT
12	SN9019		HEX BOLT, 1 1/2"-6 X 8 1/2" GR 5, Z/P
13	SN9040		CHAIN SUPPORT
14	SN3068		HITCH CLEVIS HOLDER (SINGLE)
15	SN3165YD		BUSHING, HITCH CLEVIS HOLDER, Y/D
16	SN3369		HITCH CLEVIS BUSHING
17	SN5172		HITCH CLEVIS, 4" SINGLE 2 1/4" HOLE
18	SN1810-1		HITCH CLEVIS, 4" SINGLE, 1 7/8 HOLE
19	SN2098-5		GREASE ZERK, 1/8" NPTF, 1 1/4" L
20	SN2079		JAM NUT, 1 1/2"-6 HEX, GR 2, Z/P
21	SN2085		LOCK WASHER, 1 1/2" SPLIT TYPE MED, Z/P
22	SN7858		CHAIN, 3/8" X 59" (20,200 LB) ASSEMBLY
23	SN6876		ADJUSTING SCREW, RIGHT (REFER TO 6876)
24	SN2088		JAM NUT, 1 3/4"-5 HEX, GR 2, Z/P
25	SN6878		ADJUSTING LINK
26	SN6877		ADJUSTING SCREW, LEFT
	SN6875		ADJUSTING LINK ASSEMBLY
27	SN9538R		HOSE HOLDER BRACKET
28	SN2339		BRACKET CLAMP
29	SN9537		HOSE HOLDER
30	SN1609		COTTER PIN, 3/16" X 1 1/2"
31	SN9549		HEX BOLT, 3/8"-16 X 4", ALL THD GR5, Z/P
32	SN3567		LOCK NUT, 3/8"-16 HEX NYLON INSERT
33	SN6879		JAM NUT, 1 3/4"-5 HEX LH, GR 2 Z/P

I0004854
PR: t05g29j22d0005

4510 DISC CHISEL
SERVICE PARTS

SELF-LEVELER ASSEMBLY



4510 DISC CHISEL
SERVICE PARTS

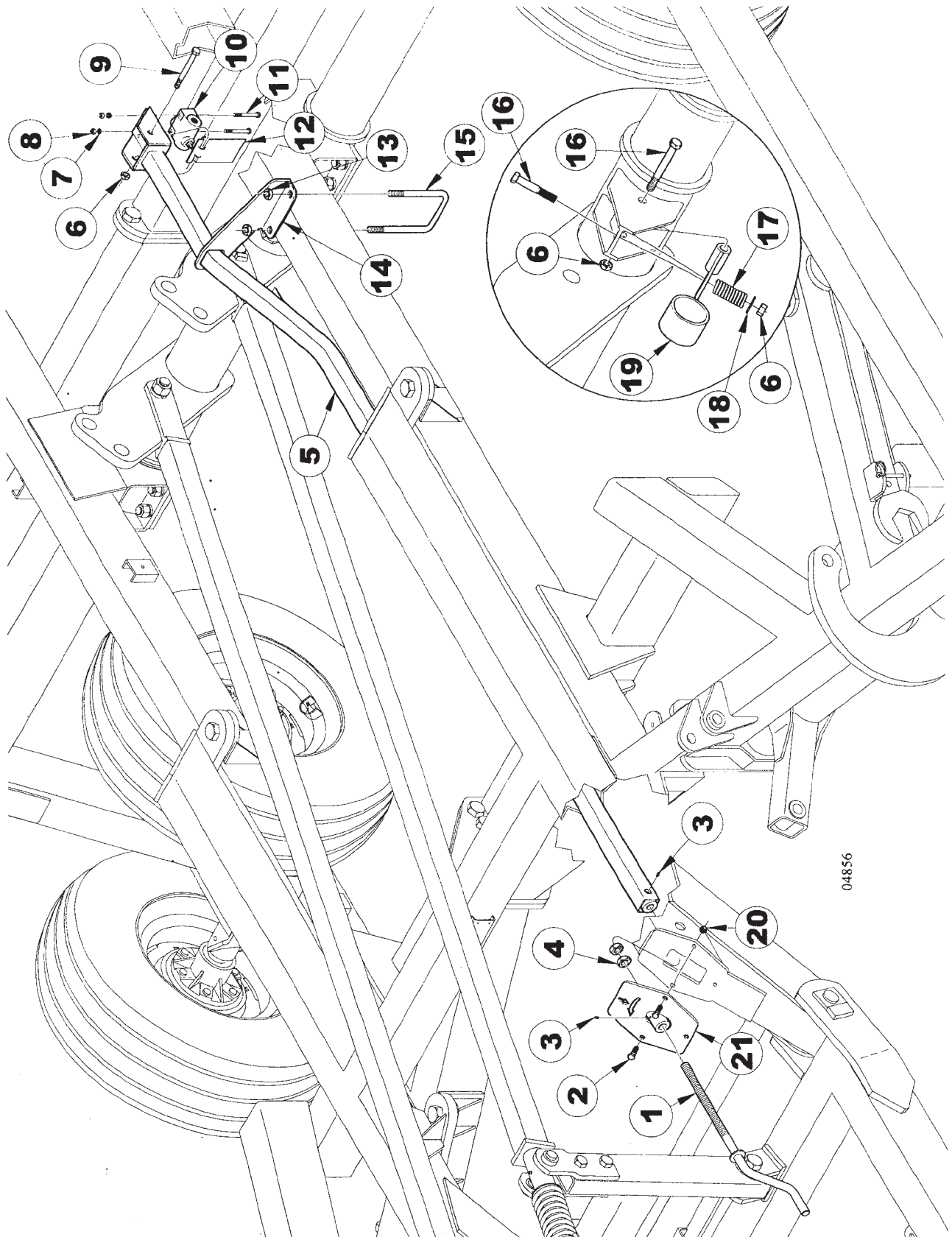
17

SELF-LEVELER ASSEMBLY

ITEM	NUMBER	QTY	DESCRIPTION
1	SN1849		JAM NUT, 1"-8 HEX, GR 2, Z/P
2	SN1283		LOCK WASHER, 1" SPLIT TYPE MED, Z/P GR 5, Z/P
3	SN5530		HEX BOLT, 1"-8 X 3", 1" THD,
4	SN9527		LEVELER TUBE, 140 1/2" L
5	SN7998		BRACKET, LEVELER CROSS
6	SN1599		HEX BOLT, 3/4"-10 X 4", GR 5, Z/P
7	SN2755		FLAT WASHER, 1 9/16" ID X 2 13/16" OD, 10 GA, Z/P
8	SN1880		JAM NUT, 1 1/2"-6 HEX W/SET SCREW, GR 2, Z/P
9	SN1875		SPRING, 2.938" OD X 1.625" ID X 8 7/8" L COMPRESSION
10	SN7999		LEVELER CROSS, 5"
11	SN2098-1		GREASE ZERK, 1/8" NPTF, 5/8" L
12	SN106		HEX NUT, 3/4"-10 FULL, GR 5, Z/P
13	SN1040		LOCK WASHER, 3/4" SPLIT TYPE MED, Z/P

I0004855
PR: t05g29j22d0006

STROKE CONTROL ASSEMBLY



04856

4510 DISC CHISEL
SERVICE PARTS

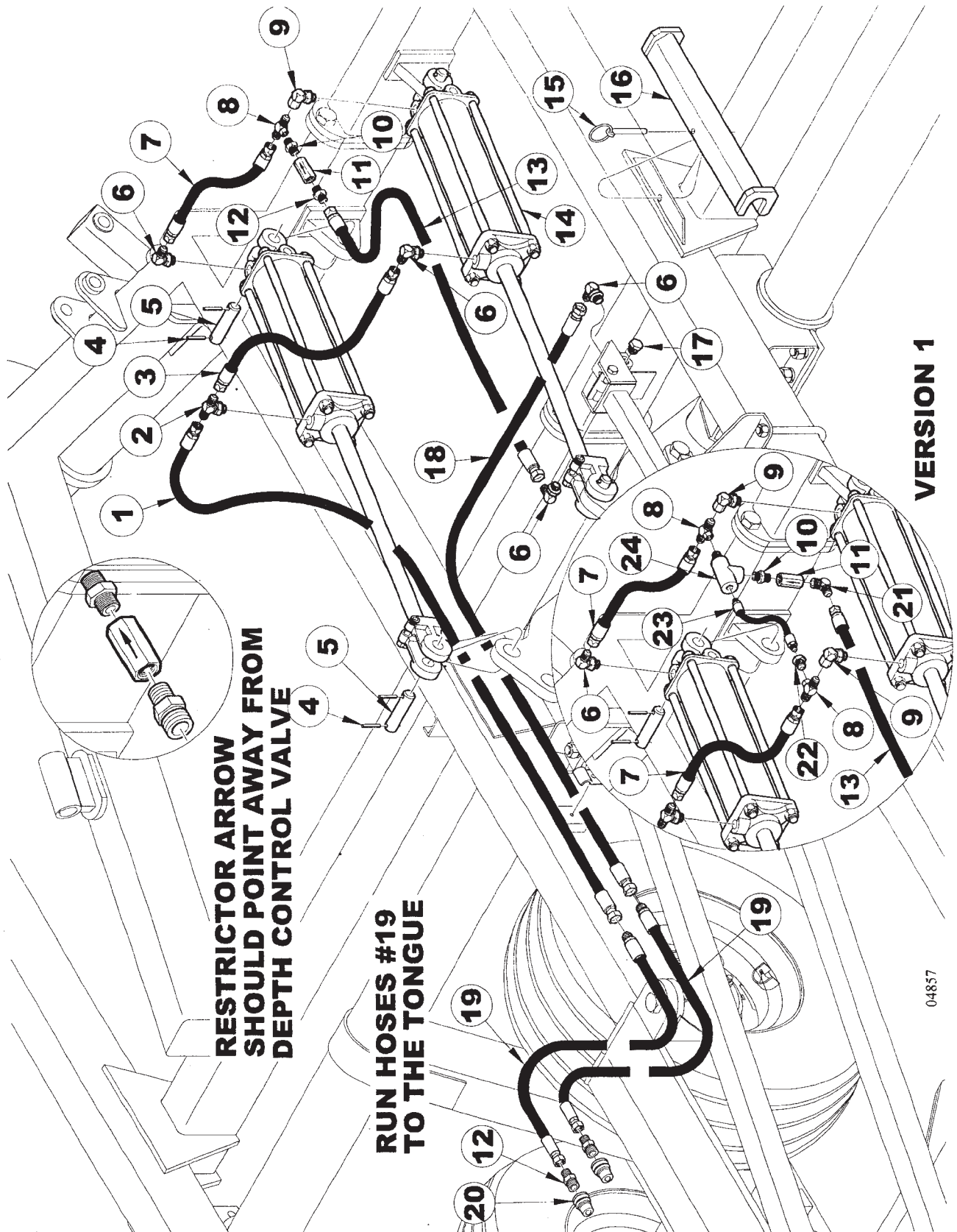
19

STROKE CONTROL ASSEMBLY

ITEM	NUMBER	QTY	DESCRIPTION
1	SN9531		THREADED REMOTE ADJUSTMENT
2	SN3984		HEX BOLT, 3/8"-16 X 1 1/4", GR 5, Z/P
3	SN2098-6		GREASE ZERK, 1/4"-28, 17/32" L
4	SN1243		JAM NUT, 3/4"-10 HEX, GR 2, Z/P
5	SN9528		VALVE ADJUSTMENT TUBE, 111 3/4"L
6	SN2096		LOCK NUT, 1/2"-13 HEX NYLON INSERT
7	SN3723		LOCK WASHER, 5/16" SPLIT TYPE, MED
8	SN3724		HEX NUT, 5/16"-18 FULL, GR 2, Z/P
9	SN140		HEX BOLT, 1/2"-13 X 4 1/2", GR 5
10	SN4732		DEPTH CONTROL VALVE
11	SN1817		HEX BOLT, 5/16"-18 X 2 1/2", GR 5
12	SN6930		STOP TAB
13	SN669-1		LOCK NUT, 5/8" HEX NYLON INSERT
14	SN9530		GUIDE BRACKET
15	SN2984		U-BOLT, 5/8"-11 X 7 1/2" X 4 3/4"
16	SN3371		HEX BOLT, 1/2"-13 X 4", GR 5, Z/P
17	SN4944		SPRING, 1.10" OD, .135 DIA, 3 1/2"
18	SN486		FLAT WASHER, 1/2", Z/P
19	SN9532		ACTUATOR LEVER
20	SN3567		LOCK NUT, 3/8"-16 HEX NYLON INSERT
21	SN9529		STROKE CONTROL MOUNT

I0004856
PR: t05g29j22d0007

LIFT HYDRAULICS ASSEMBLY



**RESTRICTOR ARROW
SHOULD POINT AWAY FROM
DEPTH CONTROL VALVE**

**RUN HOSES #19
TO THE TONGUE**

VERSION 1

**4510 DISC CHISEL
SERVICE PARTS**

21

LIFT HYDRAULICS ASSEMBLY

ITEM	NUMBER	QTY	DESCRIPTION
1	SN4156005		HOSE, 1/2" X 156" L, FEMALE ENDS
2	SN4462		STRAIGHT THD. BRANCH TEE, 7/8"-14 M.F. X 3/4"-16 O.R.
3	SN4014005		HOSE, 1/2" X 14" L, FEMALE ENDS
4	SN3164		ROLL PIN, 5/16" X 2" SPIRAL MEDIUM
5	SN5340		PIN, 1 1/4" X 4 1/16" (3"), Z/P
6	SN4457		90 DEGREES STRAIGHT THD ELBOW, 7/8"-14 M.F. X 3/4"-16 O.R.
7	SN4011005		HOSE, 1/2" X 11" L, FEMALE ENDS
8	SN4453		FEMALE BRANCH TEE, 7/8"-14 M.F. X 1/2" F.P.T.
9	SN5347		90 DEGREE SWIVEL ELBOW, 7/8"- 14 FF X 3/4"-16 MF OR
10	SN4485		PIPE NIPPLE, 1/2"-14 M.P.T. HEX
11	SN4484		IN LINE RESTRICTOR, 1/2"-14 FPT, W/5/32" REST
12	SN2426		MALE CONNECTOR, 7/8"-14 MF X 1/2"-14 MPT
13	SN4032005		HOSE, 1/2" X 32" L, FEMALE ENDS
14	SN4429		CYLINDER, 3 1/2" X 16" LIFT W/O STROKE CON CROSS (*VERSION 1, PRIOR TO 10/22/03)
	SN12043		CYLINDER, 3 1/2" X 16" LIFT W/O STRCON CROSS, 3000 PSI (*VERSION 2, 10/22/03 & LATER)
15	SN12268		PIN, WIRE LOCK 3/8" X 2 1/2", Y/D
16	SN6925		TRANSPORT LOCK
17	SN4458		PLUG, 3/4"-16 O.R.
18	SN4180005		HOSE, 1/2" X 180" L, FEMALE ENDS
19	SN4149006		HOSE, 1/2" X 149" L, M/F ENDS
20	SN3253		HYDRAULIC COUPLER, MALE HALF
21	SN2428		90 DEG MALE ELBOW, 7/8"-14 MF
22	SNFK330283		BUSHING, 1/2" X 1/4" PIPE REDUCER
23	SN4012007		HOSE, 1/4" X 12" L, MALE PIPE ENDS
24	SN5154		CHECK VALVE, PILOT OPERATED

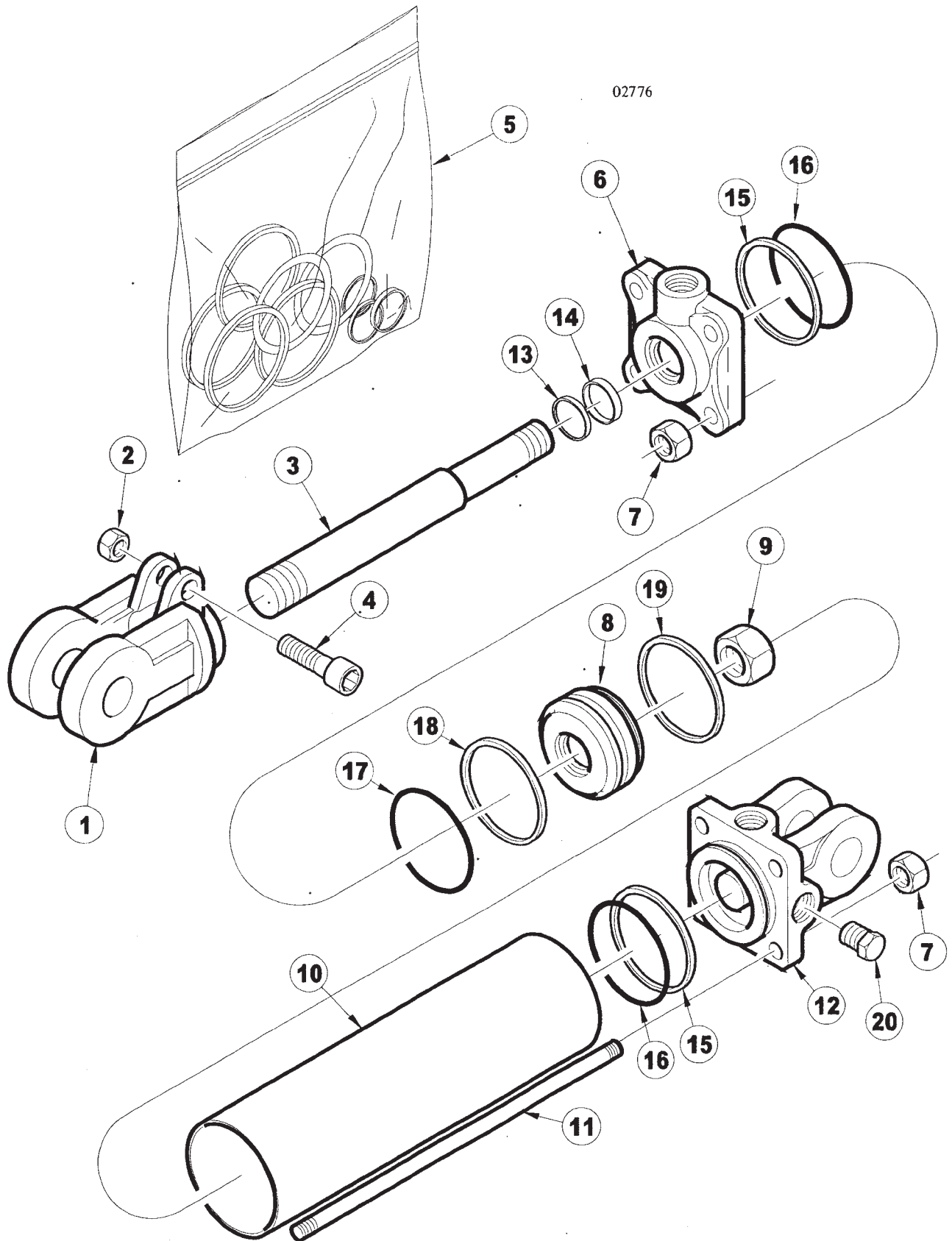
NOTE: WHEN ORDERING HYDRAULIC
CYLINDER COMPONENTS BE SURE TO NOTE
THE PART NUMBER AND THE CYLINDER
PSI. (LOCATED ON THE CYLINDER
DECAL) AS THEY CONTAIN DIFFERENT
COMPONENTS. OLDER CYLINDERS WERE
2500 PSI. AND THE NEWER CYLINDERS
ARE 3000 PSI. IDENTIFYING THE PART
NUMBER OF THE CYLINDER IS EXTREMELY
IMPORTANT WHEN ORDERING PARTS TO
ENSURE PROPER OPERATION OF THE
HYDRAULIC CYLINDER.

WARNING
THESE PARTS ARE IMPORTANT TO THE
SAFETY OF THIS EQUIPMENT AND THOSE
WHO OPERATE IT. USE ONLY EXACT
REPLACEMENT PARTS TO PREVENT
HYDRAULIC FAILURE. BEFORE REPLACING
THESE PARTS, REVIEW AND FOLLOW THE
INSTRUCTIONS IN THE SAFETY AND
OPERATING SECTIONS OF THIS MANUAL.

I0004857
PR: t05g29j22d0008

4510 DISC CHISEL
SERVICE PARTS

3 1/2" X 16" HYDRAULIC CYLINDER
4429 (VERSION 1, PRIOR TO 10/22/03)



**4510 DISC CHISEL
SERVICE PARTS**

23

**3 1/2" X 16" HYDRAULIC CYLINDER
4429 (VERSION 1, PRIOR TO 10/22/03)**

ITEM	NUMBER	QTY	DESCRIPTION
1	SN8618-1		CLEVIS, 1 1/4" THREADS, 1 1/4" PIN W/BUSHING, CROSS
2	SN8671-1		CAPSCREW NUT, 5/16" THREADS CROSS
3	SN8894-1		ROD, 1 1/2" DIA, 16" CROSS
4	SN8631-1		CAPSCREW, CROSS
5	SN8774-1		SEAL KIT, 3 1/2", 1 1/2" ROD, CROSS
6	SN8734-10		HEAD, 3 1/2", 1 1/2" ROD, CROSS (ORB)
7	SN8862-1		TIE ROD NUT, 1/2"-20 UNF CROSS
8	SN8712-1		PISTON, 3 1/2" W/1" HOLE CROSS
9	SN8686-1		PISTON NUT, 1" THREAD, CROSS
10	SN8823-1		TUBE, 3 1/2" X 16" CROSS
11	SN8853-1		TIE ROD BOLT, 3 1/2" X 16" CROSS
12	SN8704-10		BASE, 3 1/2" (ORB), 1 1/4" PIN CROSS
13			* WIPER
14			* U-CUP
15			* BACKUP
16			* O-RING
17			* O-RING
18			* TEFLON RING
19			* WEAR RING
20	SN4458		PLUG, 3/4"-16 O.R.

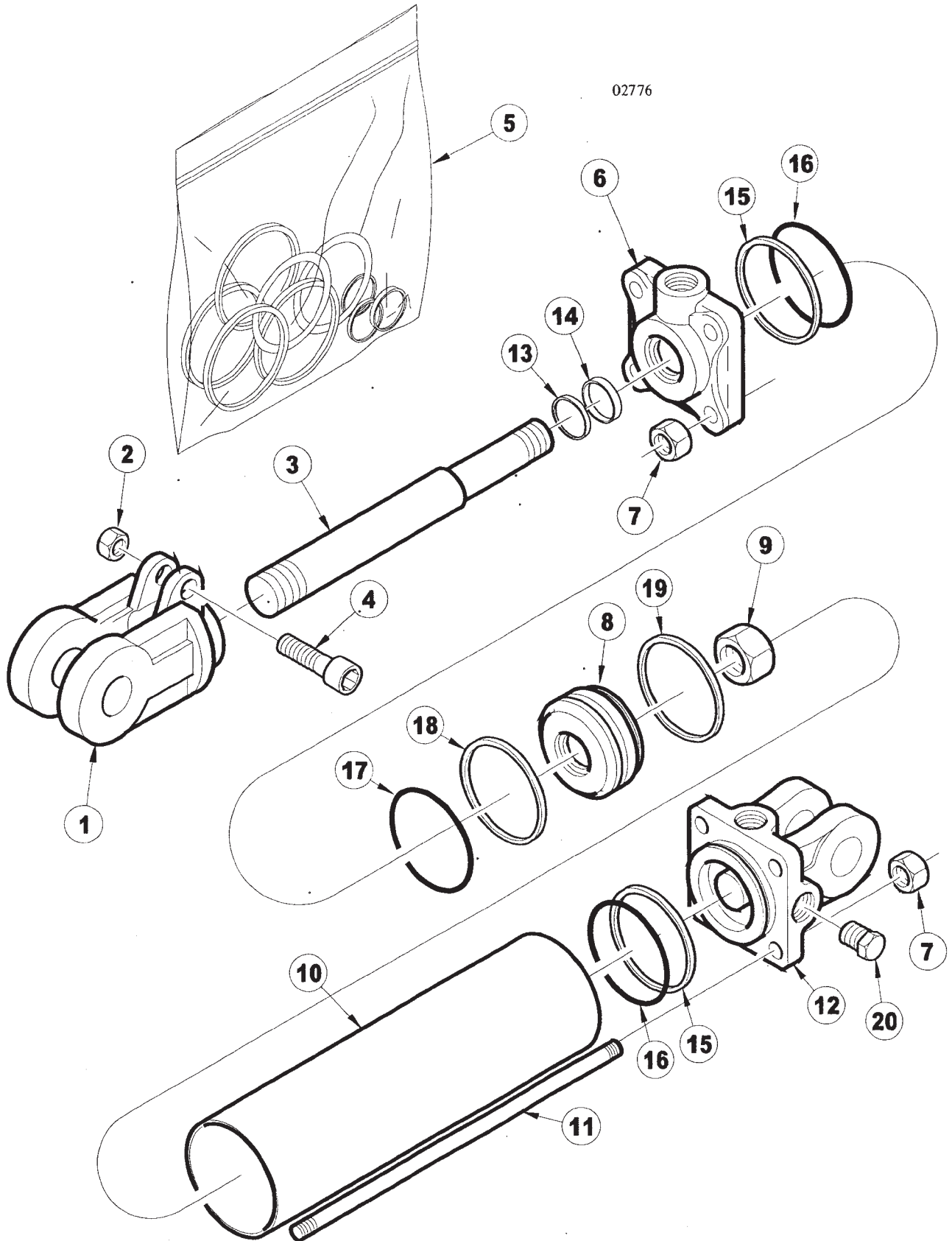
* AVAILABLE IN THE SEAL KIT ONLY!
NOTE: WHEN ORDERING HYDRAULIC
CYLINDER COMPONENTS, BE SURE TO
NOTE THE PART NUMBER AND THE
CYLINDER PSI. (LOCATED ON THE
CYLINDER DECAL) AS THEY CONTAIN
DIFFERENT COMPONENTS. OLDER
CYLINDERS WERE 2500 PSI. AND THE
NEW CYLINDERS ARE 3000 PSI.
IDENTIFYING THE PART NUMBER OF THE
CYLINDER IS EXTREMELY IMPORTANT
WHEN ORDERING PARTS TO ENSURE
PROPER OPERATION OF THE HYDRAULIC
CYLINDER.

I0002776
PR: t05g29j22d0009

4510 DISC CHISEL
SERVICE PARTS

3 1/2" X 16" HYDRAULIC CYLINDER
12043R VERSION 2, 10/22/03 & LATER

02776



**4510 DISC CHISEL
SERVICE PARTS**

25

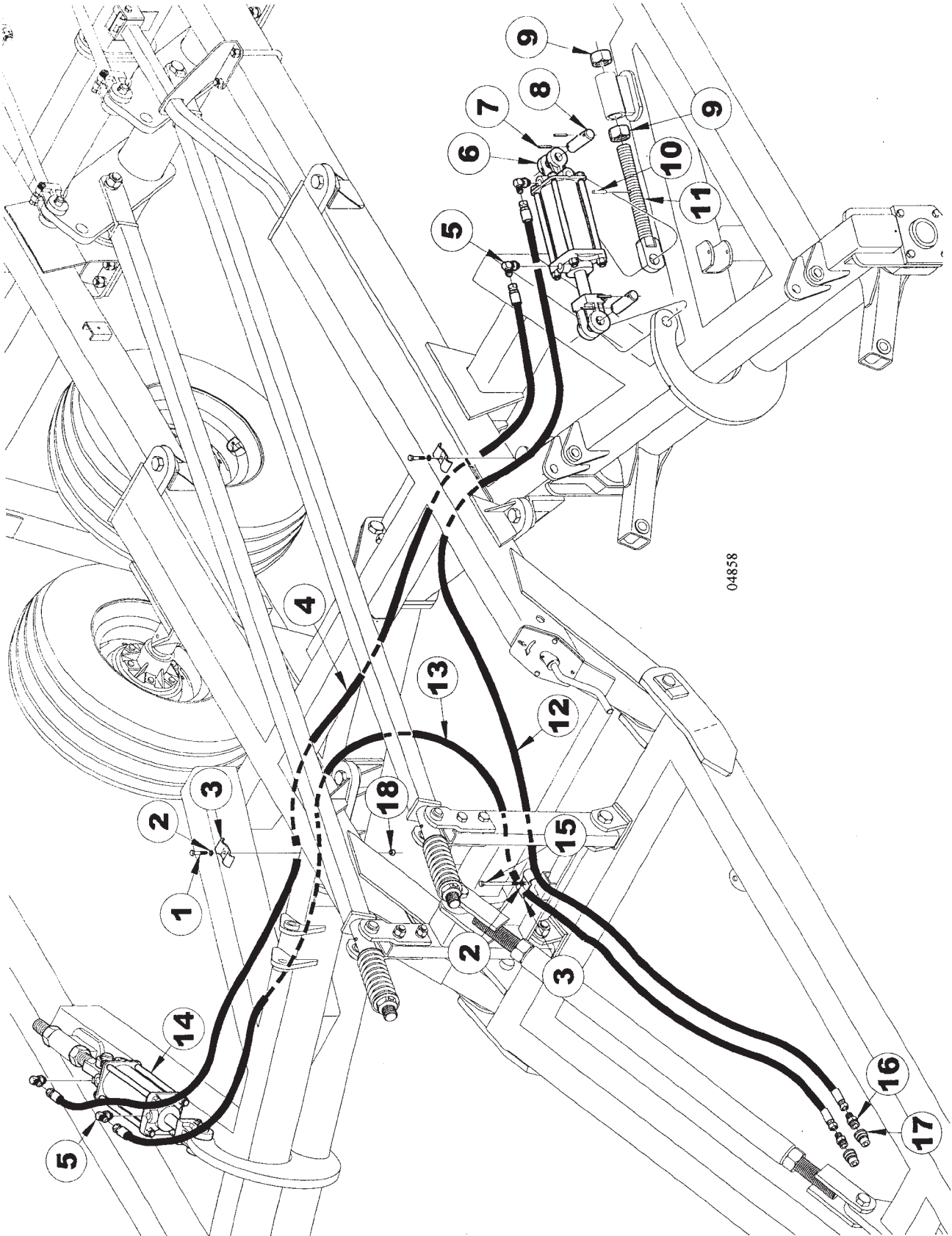
**3 1/2" X 16" HYDRAULIC CYLINDER
12043R VERSION 2, 10/22/03 & LATER**

ITEM	NUMBER	QTY	DESCRIPTION
1	SN8618-1		CLEVIS, 1 1/4" THREADS, 1 1/4" PIN W/BUSHING, CROSS
2	SN8671-1		CAPSCREW NUT, 5/16" THREADS CROSS
3	SN8972-1		ROD, 1 1/2" DIA, 16" CROSS
4	SN8631-1		CAPSCREW, CROSS
5	SN12015		SEAL KIT, 3 1/2", 1 1/2" ROD, CROSS
6	SN12018		HEAD, 3 1/2", 1 1/2" ROD, CROSS (ORB)
7	SN8863-1		TIE ROD NUT, 1/2"-20 UNF CROSS
8	SN8978-1		PISTON, 3 1/2" W/1" HOLE CROSS
9	SN8683-1		PISTON NUT, 1" THREAD, CROSS
10	SN12041		TUBE, 3 1/2" X 16" CROSS
11	SN12042		TIE ROD BOLT, 3 1/2" X 16" CROSS
12	SN12040		BASE, 3 1/2" (ORB), 1 1/4" PIN CROSS
13			* WIPER
14			* U-CUP
15			* BACKUP
16			* O-RING
17			* O-RING
18			* TEFLON RING
19			* WEAR RING
20	SN4458		PLUG, 3/4"-16 O.R.

* AVAILABLE IN THE SEAL KIT ONLY!
NOTE: WHEN ORDERING HYDRAULIC CYLINDER COMPONENTS, BE SURE TO NOTE THE PART NUMBER AND THE CYLINDER PSI. (LOCATED ON THE CYLINDER DECAL) AS THEY CONTAIN DIFFERENT COMPONENTS. OLDER CYLINDERS WERE 2500 PSI. AND THE NEW CYLINDERS ARE 3000 PSI. IDENTIFYING THE PART NUMBER OF THE CYLINDER IS EXTREMELY IMPORTANT WHEN ORDERING PARTS TO ENSURE PROPER OPERATION OF THE HYDRAULIC CYLINDER.

I0002776
PR: t05g29j22d0010

FRONT GANG LIFT HYDRAULICS



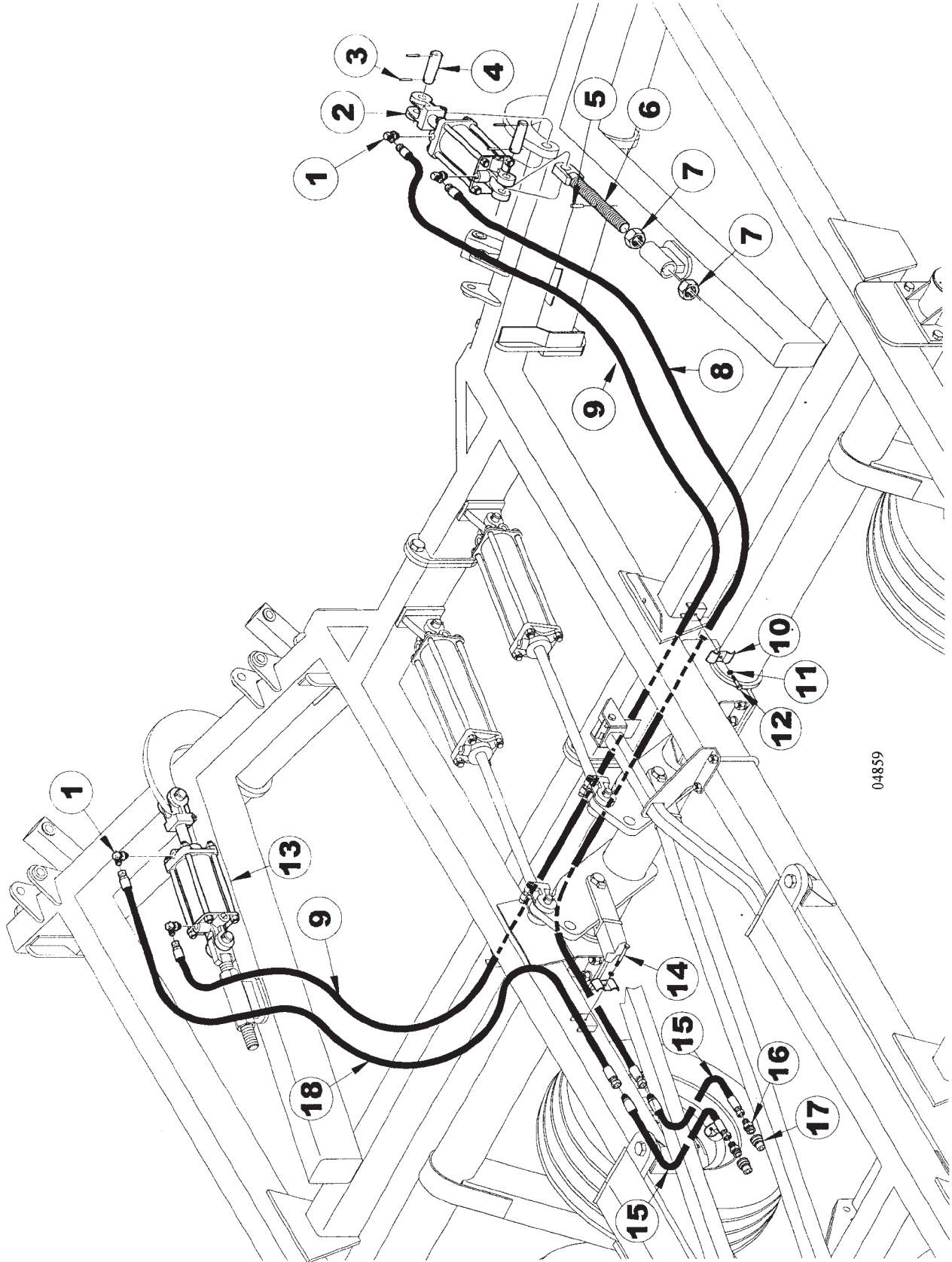
**4510 DISC CHISEL
SERVICE PARTS**

FRONT GANG LIFT HYDRAULICS

ITEM	NUMBER	QTY	DESCRIPTION
1	SN175		HEX BOLT, 3/8"-16 X 1 1/2", GR 5,
2	SN176		LOCK WASHER, 3/8" SPLIT TYPE MED, Z/P
3	SN5302		PIPE CLAMP, 3/8" BOLT HOLE
4	SN4146002		HOSE, 3/8" X 146" L, FEMALE ENDS
5	SN4455		90 DEGREE STR THD ELBOW, 3/4"-16 MF
6	SN4439		CYLINDER, 3 1/2" X 8" SLAVE ORB CROSS (*VERSION 1, PRIOR TO 10/22/03)
	SN12061		CYLINDER, 3 1/2" X 8" SLAVE CROSS, 3000 PSI (*VERSION 2, 10/22/03 & LATER)
7	SN3164		ROLL PIN, 5/16" X 2" SPIRAL MEDIUM
8	SN5339		PIN, 1" X 4 1/16" (3"), Z/P
9	SN2079		JAM NUT, 1 1/2"-6 HEX, GR 2, Z/P
10	SN4623		GUIDE PIN
11	SN7334		ADJUSTABLE CYLINDER BLOCK
12	SN4240002		HOSE, 3/8" X 240" L, FEMALE ENDS
13	SN4233002		HOSE, 3/8" X 233" L, FEMALE ENDS
14	SN4440		CYLINDER, 3 1/4" X 8" SLAVE ORB CROSS (*VERSION 1, PRIOR TO 8/12/03)
	SN12065		CYLINDER, 3 1/4" X 8" SLAVE ORB CROSS, 3000 PSI (*VERSION 2, 8/12/03 & LATER)
15	SN3565		HEX BOLT, 3/8"-16 X 3 1/2", GR 5,
16	SN2425		MALE CONNECTOR, 3/4"-16 M.F. X 1/2"-14 M.P.T.
17	SN3253		HYDRAULIC COUPLER, MALE HALF
18	SN3567		LOCK NUT, 3/8"-16 HEX NYLON INSERT
			NOTE: WHEN ORDERING HYDRAULIC CYLINDER COMPONENTS, BE SURE TO NOTE THE PART NUMBER AND THE CYLINDER PSI. (LOCATED ON THE CYLINDER DECAL) AS THEY CONTAIN DIFFERENT COMPONENTS. OLDER CYLINDERS WERE 2500 PSI. AND THE NEW CYLINDERS ARE 3000 PSI. IDENTIFYING THE PART NUMBER OF THE CYLINDER IS EXTREMELY IMPORTANT WHEN ORDERING PARTS TO ENSURE PROPER OPERATION OF THE HYDRAULIC CYLINDER. WARNING THESE PARTS ARE IMPORTANT TO THE SAFETY OF THIS EQUIPMENT AND THOSE WHO OPERATE IT. USE ONLY EXACT REPLACEMENT PARTS TO PREVENT HYDRAULIC FAILURE. BEFORE REPLACING THESE PARTS, REVIEW AND FOLLOW THE INSTRUCTIONS IN THE SAFETY AND OPERATING SECTIONS OF THIS MANUAL.

I0004858
PR: t05g29j22d0011

REAR GANG LIFT HYDRAULICS



04859

**4510 DISC CHISEL
SERVICE PARTS**

REAR GANG LIFT HYDRAULICS

ITEM	NUMBER	QTY	DESCRIPTION
1	SN4455		90 DEGREE STR THD ELBOW, 3/4"-16 MF X 3/4"-16 OR W/1/16" REST
2	SN4439		CYLINDER, 3 1/2" X 8" SLAVE ORB CROSS (*VERSION 1, PRIOR TO 6/27/03)
	SN12061		CYLINDER, 3 1/2" X 8" SLAVE ORB CROSS, 3000 PSI (*VERSION 2, 6/27/03 & LATER)
3	SN3164		ROLL PIN, 5/16" X 2" SPIRAL MEDIUM
4	SN5339		PIN, 1" X 4 1/16" (3"), Z/P
5	SN4623		GUIDE PIN
6	SN7334		ADJUSTABLE CYLINDER BLOCK
7	SN2079		JAM NUT, 1 1/2"-6 HEX, GR 2, Z/P
8	SN4222002		HOSE, 3/8" X 222" L, FEMALE ENDS
9	SN4180002		HOSE, 3/8" X 180" L, FEMALE ENDS
10	SN5302		PIPE CLAMP, 3/8" BOLT HOLE
11	SN176		LOCK WASHER, 3/8" SPLIT TYPE MED, Z/P
12	SN175		HEX BOLT, 3/8"-16 X 1 1/2", GR 5,
13	SN4440		CYLINDER, 3 1/4" X 8" SLAVE (*VERSION 1, PRIOR TO 8/12/03)
	SN12065		CYLINDER, 3 1/4" X 8" SLAVE ORB CROSS, 3000 PSI (*VERSION 2, 8/12/03 & LATER)
14	SN2487		HEX BOLT, 3/8"-16 X 2 1/2", GR 5,
15	SN4149003		HOSE, 3/8" X 149" L, M/F ENDS
16	SN2425		MALE CONNECTOR, 3/4"-16 M.F. X 1/2"-14 M.P.T.
17	SN3253		HYDRAULIC COUPLER, MALE HALF
18	SN4207002		HOSE, 3/8" X 207" L, M/F ENDS

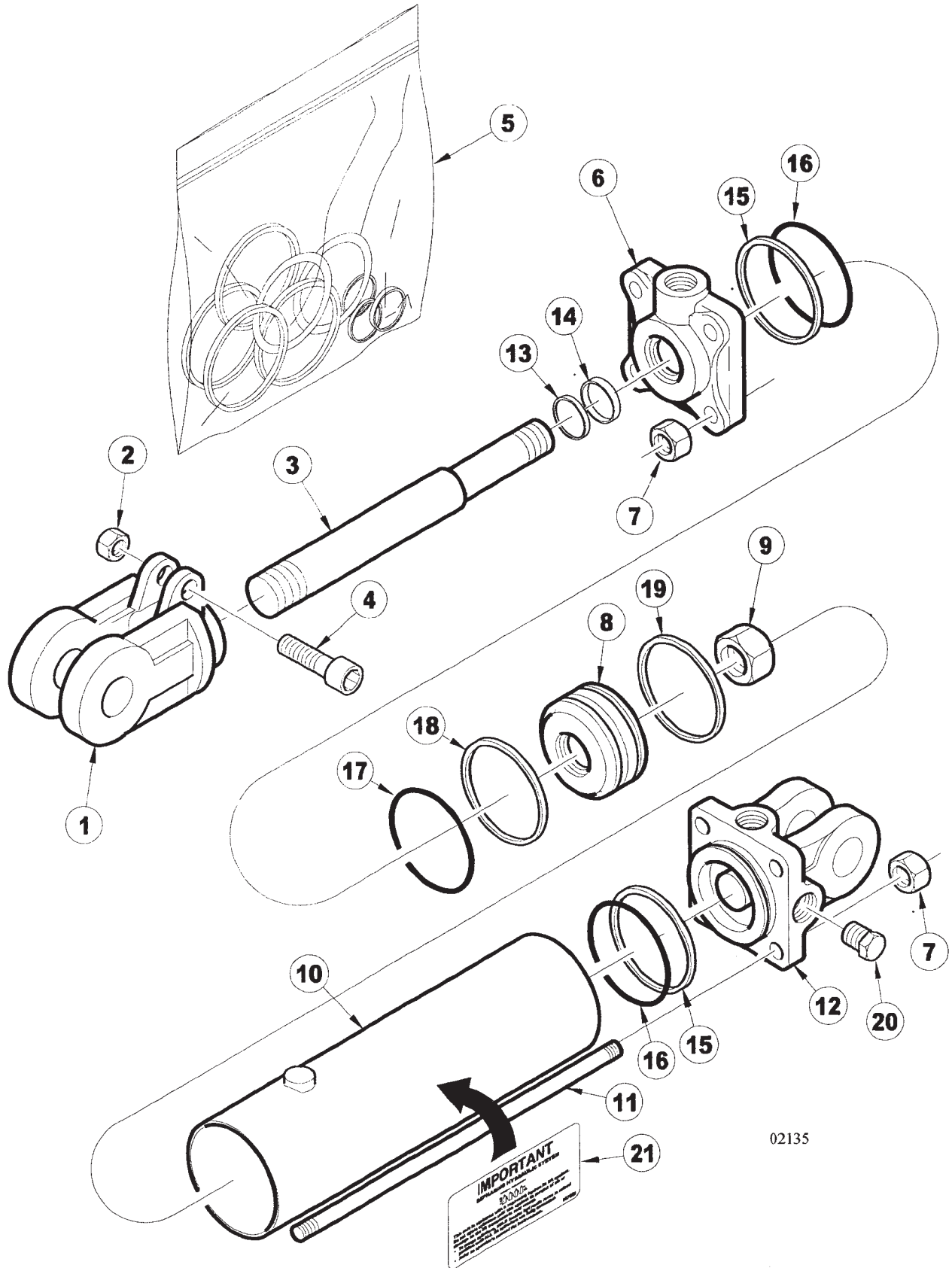
NOTE: WHEN ORDERING HYDRAULIC
CYLINDER COMPONENTS, BE SURE TO
NOTE THE PART NUMBER AND CYLINDER
PSI. (LOCATED ON THE CYLINDER
DECAL) AS THEY CONTAIN DIFFERENT
COMPONENTS. OLDER CYLINDERS WERE
2500 PSI. AND THE NEW CYLINDERS ARE
3000 PSI. IDENTIFYING THE PART
NUMBER OF THE CYLINDER IS EXTREMELY
IMPORTANT WHEN ORDERING PARTS TO
ENSURE PROPER OPERATION OF THE
HYDRAULIC CYLINDER.

WARNING
THESE PARTS ARE IMPORTANT TO THE
SAFETY OF THIS EQUIPMENT AND THOSE
WHO OPERATE IT. USE ONLY EXACT
REPLACEMENT PARTS TO PREVENT
HYDRAULIC FAILURE. BEFORE REPLACING
THESE PARTS, REVIEW AND FOLLOW THE
INSTRUCTIONS IN THE SAFETY AND
OPERATING SECTIONS OF THIS MANUAL.

I0004859
PR: t05g29j22d0012

4510 DISC CHISEL
SERVICE PARTS

3 1/2" X 8" HYDRAULIC CYLINDER 4439
(VERSION 1, PRIOR TO 6/27/03)



**4510 DISC CHISEL
SERVICE PARTS**

31

**3 1/2" X 8" HYDRAULIC CYLINDER 4439
(VERSION 1, PRIOR TO 6/27/03)**

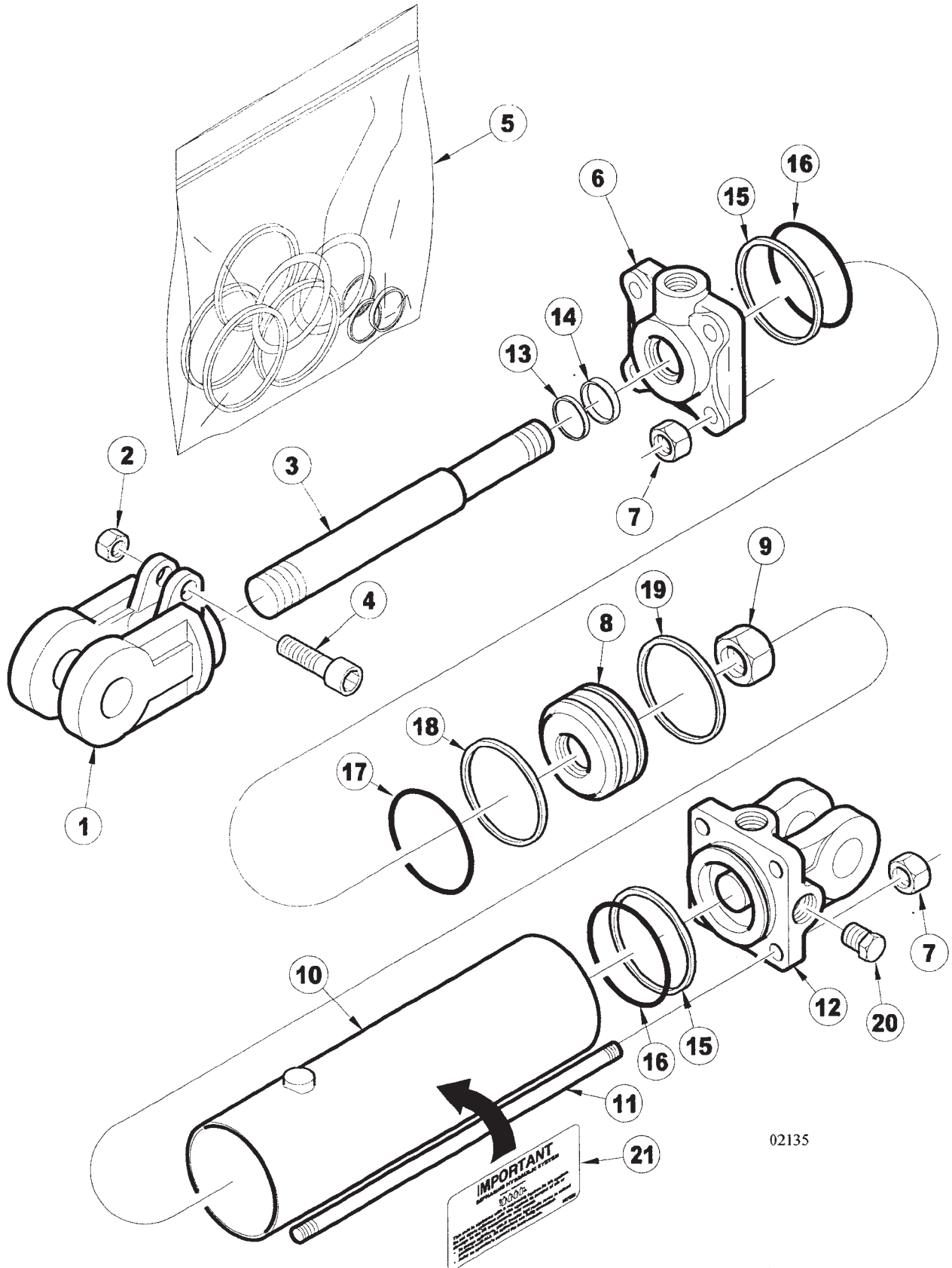
ITEM	NUMBER	QTY	DESCRIPTION
1	SN8610-1		CLEVIS, 1 1/4" THREADS, 1" PIN W/BUSHING, CROSS
2	SN8671-1		CAPSCREW NUT, 5/16" THREADS CROSS
3	SN8889-1		ROD, 1 1/4" DIA, 8" REPHASING CROSS
4	SN8631-1		CAPSCREW, CROSS
5	SN8775-1		SEAL KIT, 3 1/2", 1 1/4" ROD, REPHASING CROSS
6	SN8735-10		HEAD, 3 1/2", 1 1/4" ROD REPHASING, CROSS
7	SN8863-1		TIE ROD NUT, 9/16" THREADS CROSS
8	SN8716-1		PISTON, 3 1/2" W/1" HOLE REPHASING CROSS
9	SN8683-1		PISTON NUT, 1" CROSS
10	SN8821-1		TUBE, 3 1/2" X 8" REPHASING CROSS
11	SN8852-1		TIE ROD BOLT, 3 1/2" X 8" CROSS
12	SN8700-10		BASE, 3 1/2" (ORB), 1" PIN REPHASING CROSS
13			* WIPER
14			* U-CUP
15			* BACKUP
16			* O-RING
17			* O-RING
18			* TEFLON RING
19			* WEAR RING
20	SN4458		PLUG, 3/4"-16 O.R. * AVAILABLE IN THE SEAL KIT ONLY!

NOTE: WHEN ORDERING HYDRAULIC CYLINDER COMPONENTS, BE SURE TO NOTE THE PART NUMBER AND CYLINDER PSI. (LOCATED ON THE CYLINDER DECAL) AS THEY CONTAIN DIFFERENT COMPONENTS. OLDER CYLINDERS WERE 2500 PSI. AND THE NEW CYLINDERS ARE 3000 PSI. IDENTIFYING THE PART NUMBER OF THE CYLINDER IS EXTREMELY IMPORTANT WHEN ORDERING PARTS TO ENSURE PROPER OPERATION OF THE HYDRAULIC CYLINDER.

I0002135
PR: t05g29j22d0013

4510 DISC CHISEL
SERVICE PARTS

3 1/2" X 8" HYDRAULIC CYLINDER
12061R (VERSION 2, 6/27/03 & LATER)



02135

**4510 DISC CHISEL
SERVICE PARTS**

33

**3 1/2" X 8" HYDRAULIC CYLINDER
12061R (VERSION 2, 6/27/03 & LATER)**

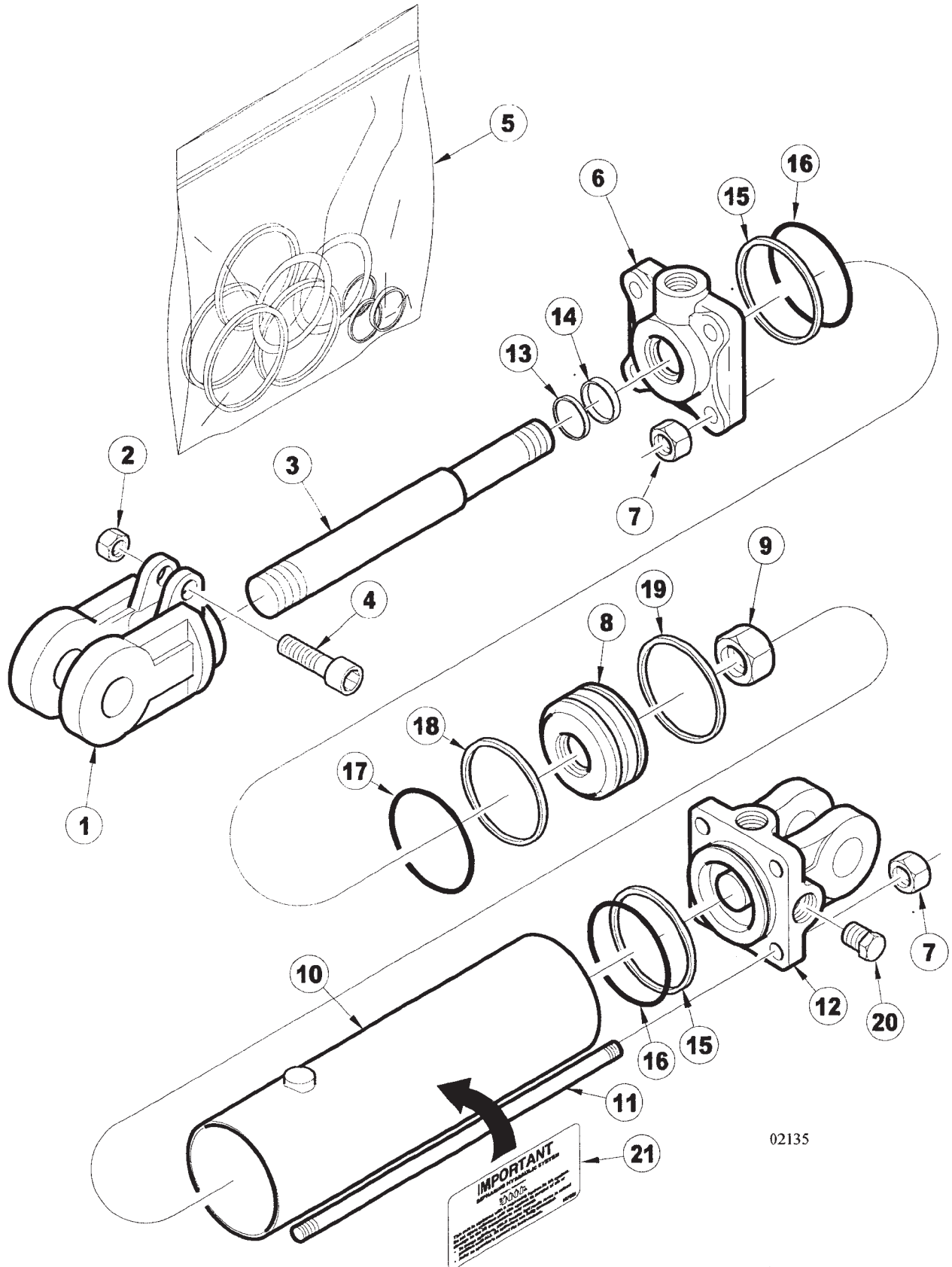
ITEM	NUMBER	QTY	DESCRIPTION
1	SN8610-1		CLEVIS, 1 1/4" THREADS, 1" PIN W/BUSHING, CROSS
2	SN8671-1		CAPSCREW NUT, 5/16" THREADS CROSS
3	SN12062		ROD, 1 1/4" DIA, 8" REPHASING CROSS
4	SN8631-1		CAPSCREW, CROSS
5	SN8775-1		SEAL KIT, 3 1/2", 1 1/4" ROD, REPHASING CROSS
6	SN8957-10		HEAD, 3 1/2", 1 1/4" ROD REPHASING, CROSS
7	SN8863-1		TIE ROD NUT, 9/16" THREADS CROSS
8	SN8660-1		PISTON, 3 1/2" W/1" HOLE REPHASING CROSS
9	SN8683-1		PISTON NUT, 1" CROSS
10	SN12063		TUBE, 3 1/2" X 8" REPHASING CROSS
11	SN12064		TIE ROD BOLT, 3 1/2" X 8" CROSS
12	SN8927-10		BASE, 3 1/2" (ORB), 1" PIN REPHASING CROSS
13			* WIPER
14			* U-CUP
15			* BACKUP
16			* O-RING
17			* O-RING
18			* TEFLON RING
19			* WEAR RING
20	SN4458		PLUG, 3/4"-16 O.R.

* AVAILABLE IN THE SEAL KIT ONLY!
NOTE: WHEN ORDERING HYDRAULIC
CYLINDER COMPONENTS, BE SURE TO
NOTE THE PART NUMBER AND CYLINDER
PSI. (LOCATED ON THE CYLINDER
DECAL) AS THEY CONTAIN DIFFERENT
COMPONENTS. OLDER CYLINDERS WERE
2500 PSI. AND THE NEW CYLINDERS ARE
3000 PSI. IDENTIFYING THE PART
NUMBER OF THE CYLINDER IS EXTREMELY
IMPORTANT WHEN ORDERING PARTS TO
ENSURE PROPER OPERATION OF THE
HYDRAULIC CYLINDER.

I0002135
PR: t05g29j22d0014

4510 DISC CHISEL
SERVICE PARTS

3 1/4" X 8" HYDRAULIC CYLINDER
4440 (VERSION 1, PRIOR TO 8/12/03)



02135

**4510 DISC CHISEL
SERVICE PARTS**

35

**3 1/4" X 8" HYDRAULIC CYLINDER
4440 (VERSION 1, PRIOR TO 8/12/03)**

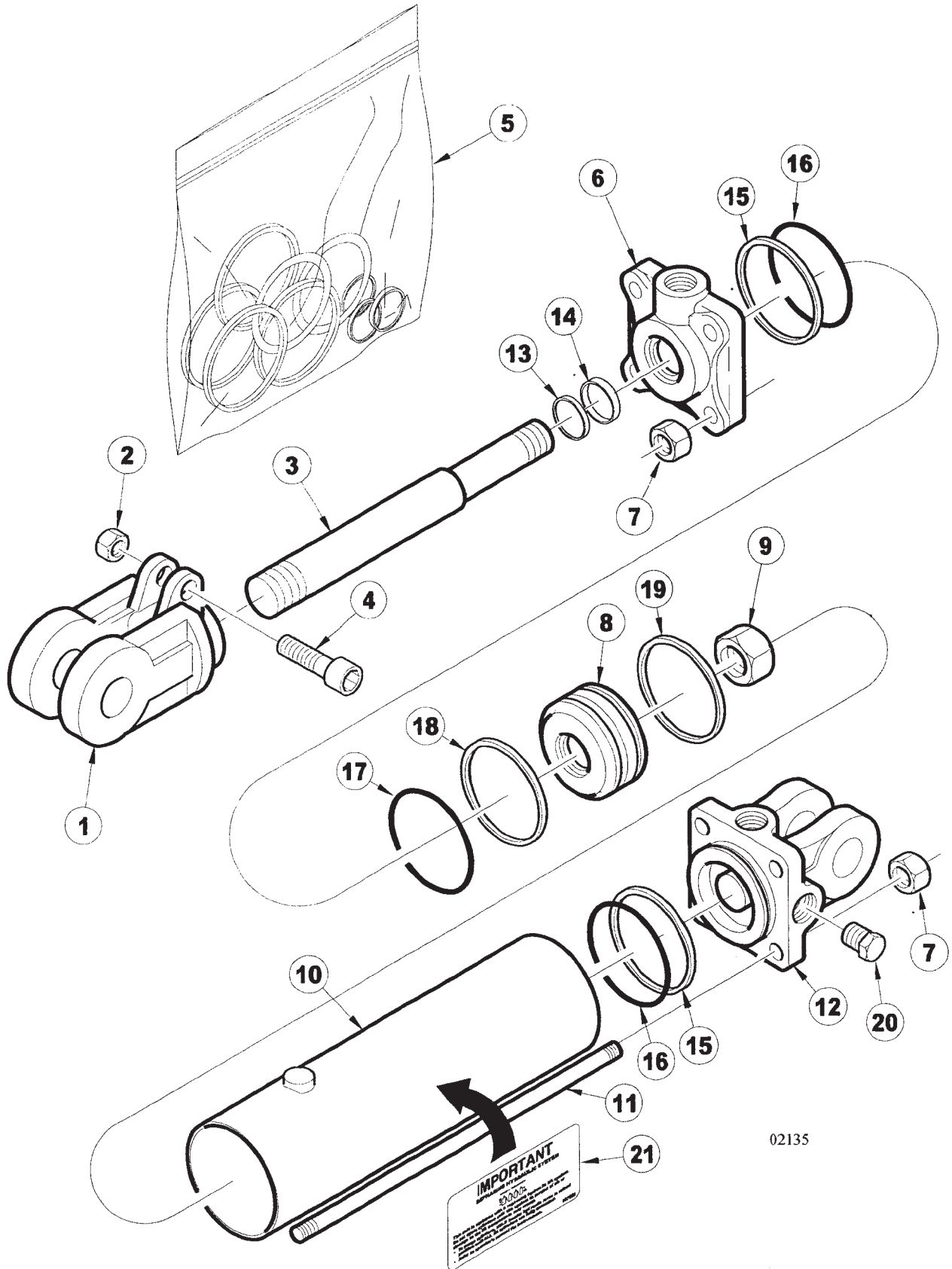
ITEM	NUMBER	QTY	DESCRIPTION
1	SN8610-1		CLEVIS, 1 1/4" THREADS, 1" PIN W/BUSHING, CROSS
2	SN8671-1		CAPSCREW NUT, 5/16" THREADS CROSS
3	SN8889-1		ROD, 1 1/4" DIA, 8" REPHASING CROSS
4	SN8631-1		CAPSCREW, CROSS
5	SN8767-1		SEAL KIT, 3 1/4", 1 1/4" ROD REPHASING, CROSS
6	SN8725-10		HEAD, 3 1/4", 1 1/4" ROD REPHASING, CROSS
7	SN8863-1		TIE ROD NUT, 9/16" THREADS CROSS
8	SN8710-1		PISTON, 3 1/4" W/1" HOLE REPHASING CROSS
9	SN8683-1		PISTON NUT, 1" CROSS
10	SN8819-1		TUBE, 3 1/4" X 8" REPHASING CROSS
11	SN8852-1		TIE ROD BOLT, 3 1/2" X 8" CROSS
12	SN8709-10		BASE, 3 1/4" REPHASING CROSS
13			* WIPER
14			* U-CUP
15			* BACKUP
16			* O-RING
17			* O-RING
18			* TEFLON RING
19			* WEAR RING
20	SN4458		PLUG, 3/4"-16 O.R

* AVAILABLE IN THE SEAL KIT ONLY!
NOTE: WHEN ORDERING HYDRAULIC
CYLINDER COMPONENTS, BE SURE TO
NOTE THE PART NUMBER AND THE
CYLINDER PSI. (LOCATED ON THE
CYLINDER DECAL) AS THEY CONTAIN
DIFFERENT COMPONENTS. OLDER
CYLINDERS WERE 2500 PSI. AND THE
NEW CYLINDERS ARE 3000 PSI.
IDENTIFYING THE PART NUMBER OF THE
CYLINDER IS EXTREMELY IMPORTANT
WHEN ORDERING PARTS TO ENSURE
PROPER OPERATION OF THE HYDRAULIC
CYLINDER.

I0002135
PR: t05g29j22d0015

4510 DISC CHISEL
SERVICE PARTS

3 1/4" X 8" HYDRAULIC CYLINDER
12065R (VERSION 2, 8/12/03 & LATER)



**4510 DISC CHISEL
SERVICE PARTS**

37

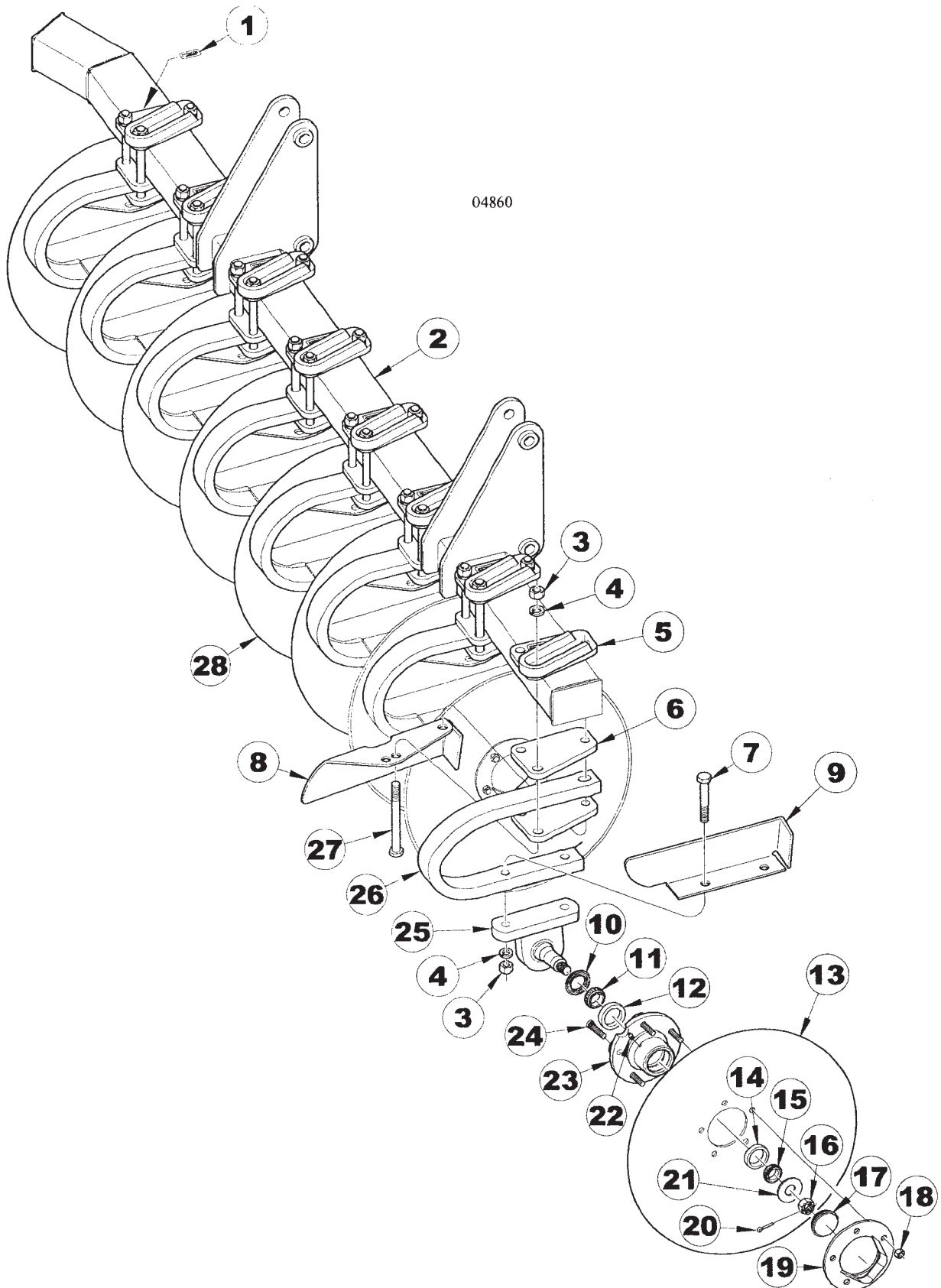
**3 1/4" X 8" HYDRAULIC CYLINDER
12065R (VERSION 2, 8/12/03 & LATER)**

ITEM	NUMBER	QTY	DESCRIPTION
1	SN8610-1		CLEVIS, 1 1/4" THREADS, 1" PIN W/BUSHING, CROSS
2	SN8671-1		CAPSCREW NUT, 5/16" THREADS CROSS
3	SN12062		ROD, 1 1/4" DIA, 8" REPHASING CROSS
4	SN8631-1		CAPSCREW, CROSS
5	SN8767-1		SEAL KIT, 3 1/4", 1 1/4" ROD REPHASING, CROSS
6	SN8614-10		HEAD, 3 1/4", 1 1/4" ROD REPHASING, CROSS
7	SN8863-1		TIE ROD NUT, 9/16" THREADS CROSS
8	SN8929-1		PISTON, 3 1/4" W/1" HOLE REPHASING CROSS
9	SN8683-1		PISTON NUT, 1" CROSS
10	SN12066		TUBE, 3 1/4" X 8" REPHASING CROSS
11	SN12064		TIE ROD BOLT, 3 1/2" X 8" CROSS
12	SN8930-10		BASE, 3 1/4" REPHASING CROSS
13			* WIPER
14			* U-CUP
15			* BACKUP
16			* O-RING
17			* O-RING
18			* TEFLON RING
19			* WEAR RING
20	SN4458		PLUG, 3/4"-16 O.R

* AVAILABLE IN THE SEAL KIT ONLY!
NOTE: WHEN ORDERING HYDRAULIC
CYLINDER COMPONENTS, BE SURE TO
NOTE THE PART NUMBER AND THE
CYLINDER PSI. (LOCATED ON THE
CYLINDER DECAL) AS THEY CONTAIN
DIFFERENT COMPONENTS. OLDER
CYLINDERS WERE 2500 PSI. AND THE
NEW CYLINDERS ARE 3000 PSI.
IDENTIFYING THE PART NUMBER OF THE
CYLINDER IS EXTREMELY IMPORTANT
WHEN ORDERING PARTS TO ENSURE
PROPER OPERATION OF THE HYDRAULIC
CYLINDER.

I0002135
PR: t05g29j22d0016

INDIVIDUAL FRONT BLADE ASSEMBLY



4510 DISC CHISEL
SERVICE PARTS

39

INDIVIDUAL FRONT BLADE ASSEMBLY

ITEM	NUMBER	QTY	DESCRIPTION
1	SN997654		PATENT DECAL, #6,158,523
2	SN9515		GANG BAR, 86" RT FRT
	SN9516		GANG BAR, 86" LT FRT
	SN9517		GANG BAR, 95" RT FRT
	SN9518		GANG BAR, 95" LT FRT
	SN9519		GANG BAR, 117" RT FRT
	SN9520		GANG BAR, 117" LT FRT
3	SN106		HEX NUT, 3/4"-10 FULL, GR 5, Z/P
4	SN1040		LOCK WASHER, 3/4" SPLIT TYPE MED, Z/P
5	SN9196		C-FLEX CLAMP PLATE, TOP RT
	SN9197		C-FLEX CLAMP PLATE, TOP LT (SHOWN)
6	SN9033		C-FLEX CLAMP PLATE
7	SN105		HEX BOLT 3/4"-10 X 3 1/2", GR 5, Z/P
8	SN9423		C-FLEX MOUNT SHIELD, TOP RIGHT
	SN9424		C-FLEX MOUNT SHIELD, TOP LEFT (SHOWN)
9	SN9426		C-FLEX MOUNT SHIELD, BOTTOM LEFT (SHOWN)
	SN9425		C-FLEX MOUNT SHIELD, BOTTOM RIGHT
10	SNFK310044		TRIPLE LIP SEAL
11	SN1602		BEARING (LM48548)
12	SN1603		RACE (LM48510)
13	SN7602N		20.18" BLADE, 5 BOLT, .256" THICK, 1.55" CON
14	SN1605		RACE (LM67010)
15	SN1606		BEARING (LM67048)
16	SN2491		HEX NUT, 7/8"-14 FULL SLOTTED GR 2, PLAIN
17	SN7604		DUST CAP, 2.448" OD X .74" TH, Z/P
18	SN1611		LUG NUT, 1/2"-20, GR 5, 90 DEG TAPER, Z/P
19	SN7377		RETAINER, HUB CAP
20	SN1609		COTTER PIN, 3/16" X 1 1/2"
21	SNFK340051		FLAT WASHER, 2" OD X 15/16" ID SPECIAL
22	SN2098-6		GREASE ZERK, 1/4"-28, 17/32" L
23	SNFK340090		FIVE BOLT HUB W/CUPS
24	SN1611-1		SHOULDER BOLT, 1/2"-20 X 2" PRESS IN, 5/8" SHOULDER
25	SN9119		SPINDLE, INDIVIDUAL DISC
26	SN5978		SHANK, C-FLEX, 1" X 2 1/2", LEFT (SHOWN)
	SN5977		SHANK, C-FLEX, 1" X 2 1/2", RIGHT
27	SN918		HEX BOLT, 3/4"-10 X 8", GR 5, Z/P
28	SN7599N		22.33" BLADE, 5 BOLT, .256" THICK, 2" CON

I0004860
PR: t05g29j22d0017

4510 DISC CHISEL
SERVICE PARTS

41

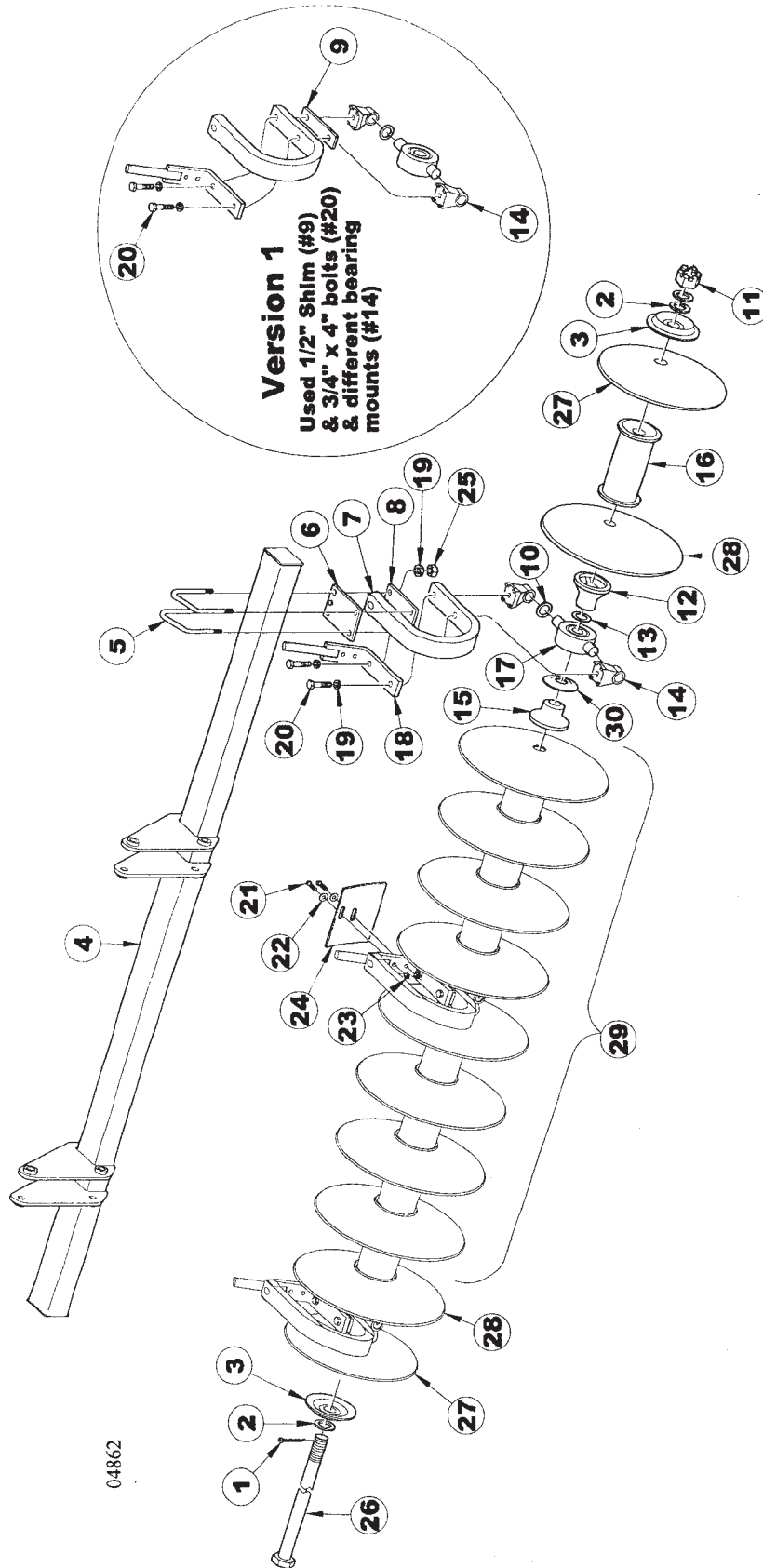
INDIVIDUAL CENTER BLADE ASSEMBLY

ITEM	NUMBER	QTY	DESCRIPTION
1	SN106		HEX NUT, 3/4"-10 FULL, GR 5, Z/P
2	SN1040		LOCK WASHER, 3/4" SPLIT TYPE MED, Z/P
3	SN9037		C-FLEX MOUNTING PLATE
4	SN918		HEX BOLT, 3/4"-10 X 8", GR 5, Z/P
5	SN10400		SHANK, 1 1/4" X 3" C-FLEX (NEW CENTER SHANK IS THICKER THAN OLD 4971B SHANK, BUT IS A DIRECT REPLACEMENT)
6	SN6406		HEX BOLT, 3/4"-10 X 3 1/2", 1 1/4" (MUST BE USED WITH NEW PART # 10400B SHANK)
7	SN9118		SPINDLE, INDIVIDUAL DISC, CTR
8	SN9153		C-FLEX MOUNTING PLATE W/STUD
9	SN893		FLAT WASHER, 3/4" Y/D (MUST BE USED WITH NEW PART # 10400B SHANK)

I0004861
PR: t05g29j22d0018

4510 DISC CHISEL
SERVICE PARTS

REAR GANG ASSEMBLY



**4510 DISC CHISEL
SERVICE PARTS**

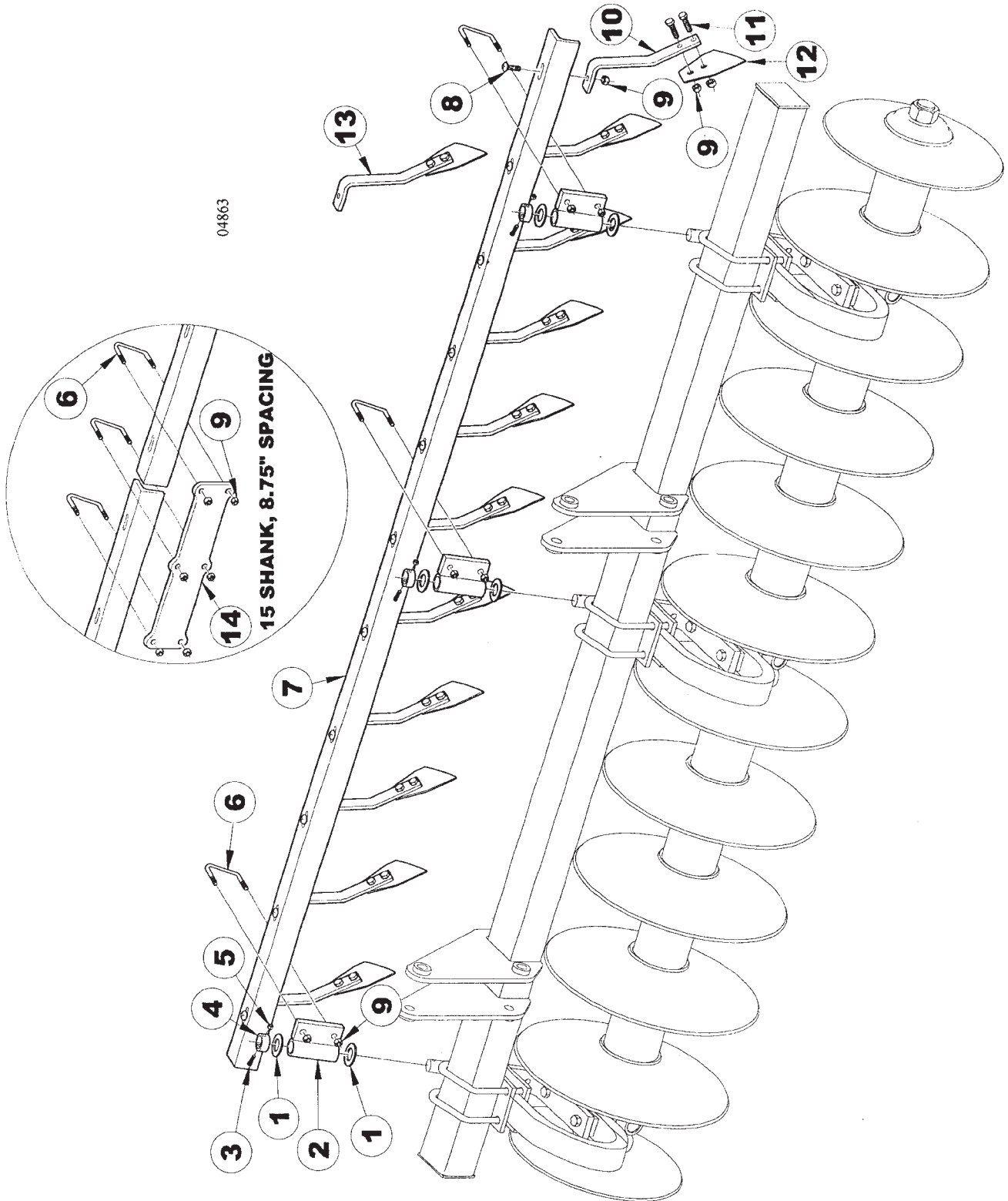
43

REAR GANG ASSEMBLY

ITEM	NUMBER	QTY	DESCRIPTION
1	SN108		COTTER PIN, 5/16" X 2 1/2", Z/P
2	SN2037		FLAT WASHER, 1 13/16" ID X 2 13/16" OD X 1/4" TH
3	SN2723B		SPRING END COLLAR, 1 3/4" BORE
4	SN9521		GANG BAR, 99" RT RR (11 SHANK)
	SN9522		GANG BAR, 99" LT RR (11 SHANK)
	SN9523		GANG BAR, 109 1/2" RT RR (13 SHANK)
	SN9524		GANG BAR, 109 1/2" LT RR (13 SHANK)
	SN9525		GANG BAR, 120" RT RR (15 SHANK)
	SN9526		GANG BAR, 120" LT RR (15 SHANK)
5	SN9008		U-BOLT, 3/4"-10 X 7 1/4" X 5 13/16" W, Z/P
6	SN6148		C-FLEX MOUNTING PLATE, TOP
7	SN5976		SHANK, C-FLEX, 1 1/4" X 2 1/2" LEFT
	SN5975		SHANK, C-FLEX, 1 1/4" X 2 1/2" RIGHT (SHOWN)
8	SN6147		C-FLEX MOUNTING PLATE
9	SN3937		SHIM, 1/2" THICK (USED ON OLD VERSION 1 ONLY)
10	SN3095		FLAT WASHER, 1 1/2" ID X 2 1/4" OD, 10 GA, Z/P
11	SN2036		HEX NUT, 1 3/4"-5 SLOTTED HEAVY GR 2, Z/P
12	SN7423		SPOOL, LONG BEARING, 10 1/2"
13	SN2756		FLAT WASHER, 1 13/16" ID X 2 13/16" OD, 10 GA, Z/P
14	SN3096		TRUNNION BEARING MOUNT (OLD VERSION 1 STYLE)
	SN9691		TRUNNION BEARING MOUNT (CURRENT VERSION)
15	SN2819		SPOOL, BEARING, 1 3/4" BORE, 9 1/2"
16	SN7346		SPOOL, FULL, 10 1/2"
17	SN3090		TRUNNION BEARING COMPLETE
18	SN7141		SCRAPER BAR ANCHOR, RIGID
19	SN1040		LOCK WASHER, 3/4" SPLIT TYPE MED, Z/P
20	SN7138		HEX BOLT, 3/4"-10 X 4" GR 8, Z/P (OLD VERSION 1 STYLE)
	SN6307		HEX BOLT, 3/4"-10 X 3" GR 8, Y/D (CURRENT VERSION)
21	SN330		HEX BOLT, 1/2"-13 X 2" GR 5, Z/P
22	SN486		FLAT WASHER, 1/2", Z/P
23	SN2096		LOCK NUT, 1/2"-13 HEX NYLON INSERT, GR 8, Z/P
24	SN9035		DUAL SCRAPER, 10 1/2" SP, REG CON
25	SN106		HEX NUT, 3/4"-10 FULL, GR 5, Z/P
26	SN2008		SHAFT, 101", 1 3/4" DIA (11 SHANK)
	SN9543		SHAFT, 111 1/2", 1 3/4" DIA (13 SHANK)
	SN9030		SHAFT, 122", 1 3/4" DIA (15 SHANK)
27	SN3283N		BLADE, 18", 1 3/4" BORE, 4 GA, 1 3/4" CONCAVITY
28	SN3271N		19.69" BLADE, 1 3/4" BORE 4 GA, 1 7/8"
29	SN2686N		22" BLADE, 1 3/4" BORE 4 GA, 2 1/2"
30	SN7863		TRUNNION BEARING SHIELD

I0004862
PR: t05g29j22d0019

REAR SCRAPER BAR ASSEMBLY



4510 DISC CHISEL
SERVICE PARTS

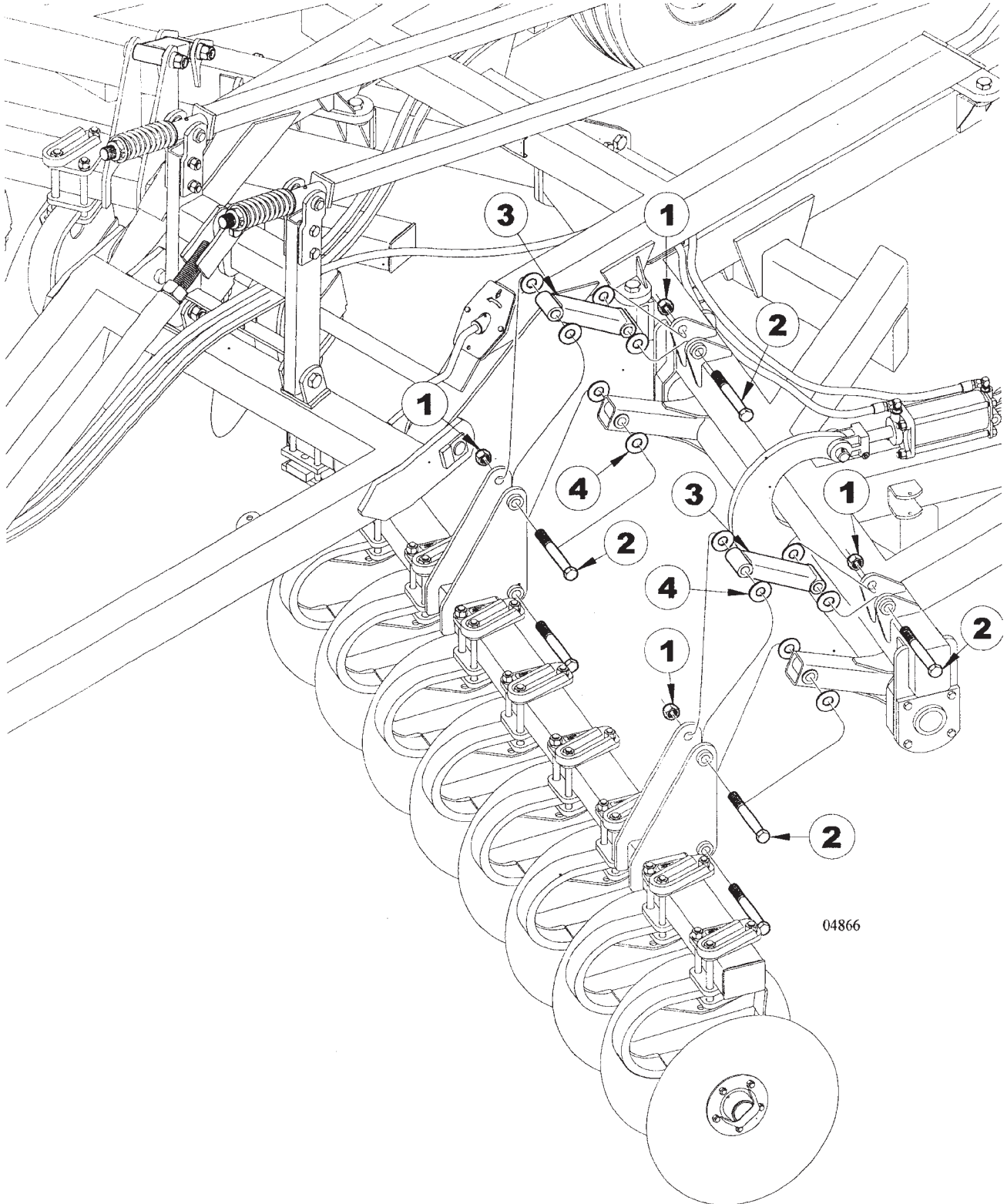
45

REAR SCRAPER BAR ASSEMBLY

ITEM	NUMBER	QTY	DESCRIPTION
1	SN2555		MACHINE BUSHING, 1 1/4" ID X 1 7/8" OD, 10 GA, Z/P
2	SN7140		SCRAPER BAR MOUNT
3	SN3880		SHOULDER BOLT, 5/16" X 1 3/4", GR 8 EQUIV
4	SN7139		LOCKING COLLAR W/O SET SCREW
5	SN3881		LOCK NUT, 1/4"-20 HEX NYLON INSERT, GR 2, Z/P
6	SN6773		U-BOLT, 1/2"-13 X 4 1/8" X 2 1/8" X 3 1/4" W, GR
7	SN7439		SCRAPER BAR, RIGID, 9 HOLE, 10 1/2" (11 SHANK)
	SN9533		SCRAPER BAR, RIGID, 10 HOLE, 10 1/2"
	SN7440		SCRAPER BAR, RIGID 11 HOLE, 10 1/2"
	SN7152		SCRAPER BAR, RIGID, 11 HOLE - 8.75" SP, RIGHT (11 SHANK)
	SN7153		SCRAPER BAR, RIGID, 11 HOLE - 8.75" SP, LEFT (11 SHANK)
	SN7892		SCRAPER BAR, RIGID, 12 HOLE - 8.75" SP, RIGHT (13 SHANK)
	SN7893		SCRAPER BAR, RIGID, 12 HOLE - 8.75" SP, LEFT (13 SHANK)
	SN7175		SCRAPER BAR, RIGID, 5 HOLE - 8.75" SP, LEFT (15 SHANK)(SHOWN IN BUBBLE)
	SN7149		SCRAPER BAR, RIGID, 9 HOLE - 8.75" SP, LEFT (15 SHANK)(SHOWN IN BUBBLE)
	SN7174		SCRAPER BAR, RIGID, 5 HOLE - 8.75" SP, RIGHT (15 SHANK)
	SN7148		SCRAPER BAR, RIGID, 9 HOLE - 8.75" SP, RIGHT (15 SHANK)
8	SN6101		CARRIAGE BOLT, 1/2"-13 X 1 3/4", GR 5, Z/P
9	SN2096		LOCK NUT, 1/2"-13 HEX NYLON INSERT, GR 8, Z/P
10	SN6732		SCRAPER ARM, 10 3/8" L
11	SN1823		HEX BOLT, 1/2"-13 X 1 1/4", GR 5, Z/P
12	SN6103		SCRAPER BLADE, 4" W RIGID
13	SN6733		SCRAPER BLADE W/ARM (10 3/8" L) RIGHT RIGID (SHOWN)
	SN6734		SCRAPER BLADE W/ARM (10 3/8" L) LEFT RIGID
14	SN10035		CONNECTOR, SCRAPER BAR

I0004863
PR: t05g29j22d0020

FRONT GANG MOUNTING



04866

**4510 DISC CHISEL
SERVICE PARTS**

47

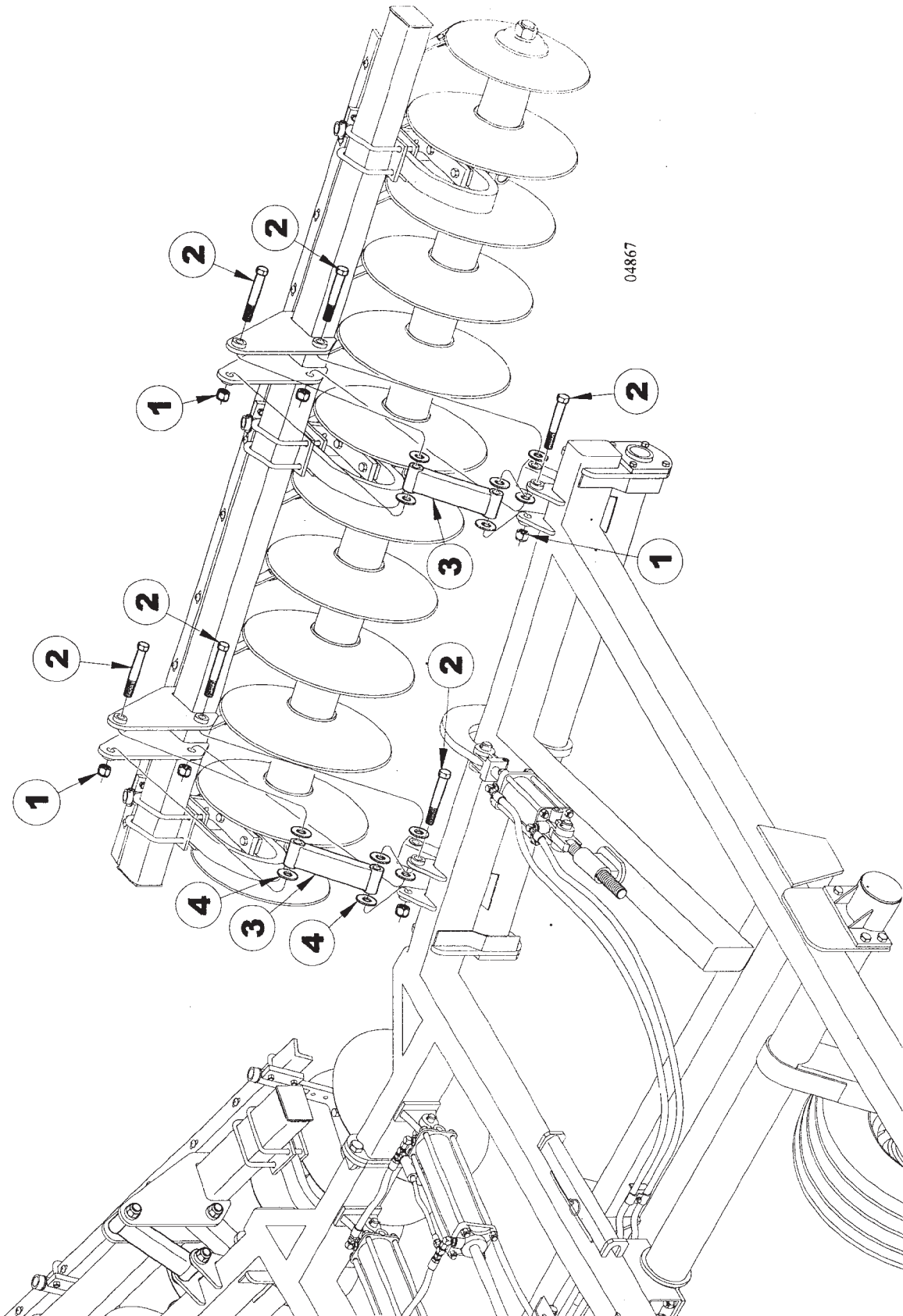
FRONT GANG MOUNTING

ITEM	NUMBER	QTY	DESCRIPTION
1	SN3938		LOCK NUT, 1"-8 HEX NYLON INSERT, GR 2, Z/P
2	SN109		HEX BOLT, 1"-8 X 7", GR 5, Z/P
3	SN9034		PARALLEL GANG LINK
4	SNFK150173		FLAT WASHER, 1" SAE, Z/P

I0004866
PR: t05g29j22d0021

4510 DISC CHISEL
SERVICE PARTS

REAR GANG MOUNTING



**4510 DISC CHISEL
SERVICE PARTS**

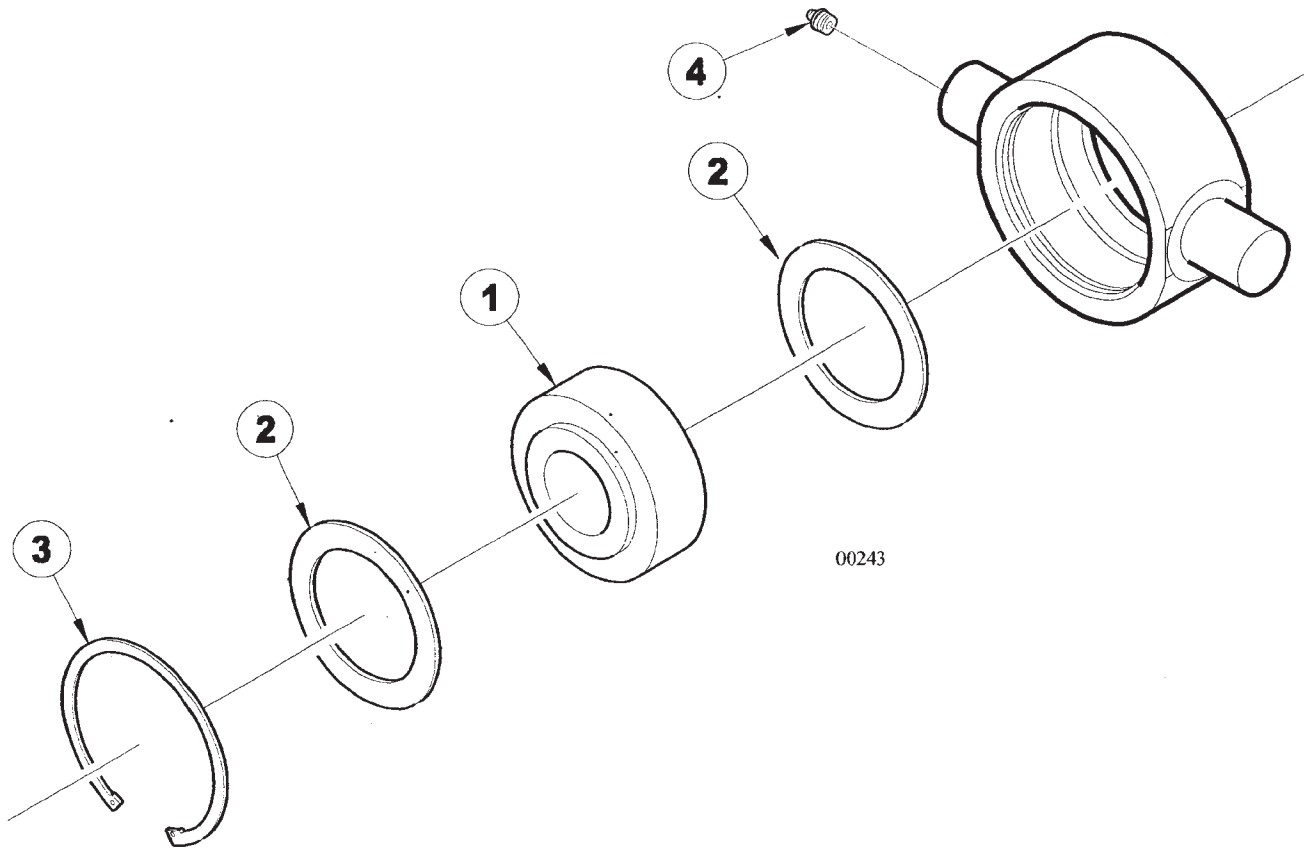
49

REAR GANG MOUNTING

ITEM	NUMBER	QTY	DESCRIPTION
1	SN3938		LOCK NUT, 1"-8 HEX NYLON INSERT, GR 2, Z/P
2	SN109		HEX BOLT, 1"-8 X 7", GR 5, Z/P
3	SN9034		PARALLEL GANG LINK
4	SNFK150173		FLAT WASHER, 1" SAE, Z/P

I0004867
PR: t05g29j22d0022

TRUNNION BEARING ASSEMBLY



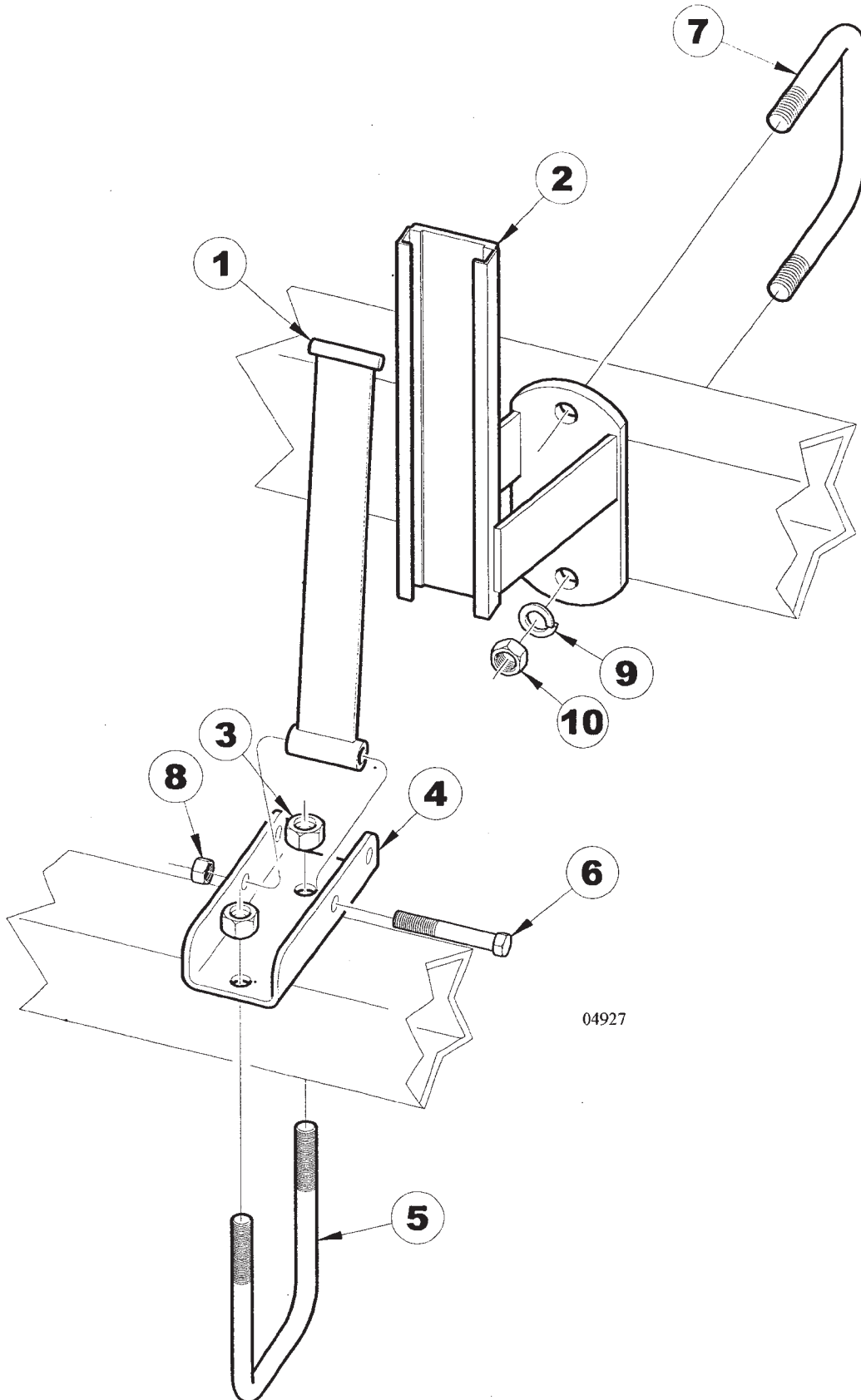
00243

TRUNNION BEARING ASSEMBLY

ITEM	NUMBER	QTY	DESCRIPTION
			(SUNFLOWER HOUSING, BCA BEARING)
1	SN3091		TRUNNION BEARING REPLACEMENT
2	SN4924		TRUNNION BEARING SHIELD (BCA)
3	SN3094		TRUNNION BEARING RETAINER (FAFNIR)
4	SN2098-1		1/8" GREASE ZERK (SUNFLOWER HOUSING, BCA BEARING)
1	SN3091		TRUNNION BEARING REPLACEMENT
2	SN4924		TRUNNION BEARING SHIELD (BCA)
3	SN4925		TRUNNION BEARING RETAINER (SUNFLOWER)
4	SN2098-1		1/8" GREASE ZERK (SUNFLOWER HOUSING, SEAL MASTER BEARING)
1	SN5338		TRUNNION BEARING REPLACEMENT (SEAL MASTER - P.N. SK-1507)
2	SN5337		TRUNNION BEARING SHIELD (SEAL MASTER)
3	SN4925		TRUNNION BEARING RETAINER (SUNFLOWER)
4	SN2098-1		1/8" GREASE ZERK (FAFNIR HOUSING, BCA BEARING)
1	SN3091		TRUNNION BEARING REPLACEMENT
2	SN3093		TRUNNION BEARING SHIELD
3	SN3094		TRUNNION BEARING RETAINER (FAFNIR)
4	SN2098-1		1/8" GREASE ZERK (FAFNIR HOUSING, SEAL MASTER BEARING)
1	SN5338		TRUNNION BEARING REPLACEMENT (SEAL MASTER-P.N. SK-1507)
2	SN3093		TRUNNION BEARING SHIELD
3	SN3094		TRUNNION BEARING RETAINER (FAFNIR)
4	SN2098-1		1/8" GREASE ZERK (FAFNIR HOUSING, FAFNIR BEARING)
1	SN5434		TRUNNION BEARING REPLACEMENT (FAFNIR-P.N. GW211PP25)
2	SN3093		TRUNNION BEARING SHIELD
3	SN3094		TRUNNION BEARING RETAINER (FAFNIR)
4	SN2098-1		1/8" GREASE ZERK (SUNFLOWER HOUSING, FAFNIR BEARING)
1	SN5434		TRUNNION BEARING REPLACEMENT (FAFNIR-P.N. GW11PP25)
2	SN5337		TRUNNION BEARING SHIELD
3	SN4925		TRUNNION BEARING RETAINER (SUNFLOWER)
4	SN2098-1		1/8" GREASE ZERK TRUNNION BEARING SHIELD SPECIFICATIONS
	SN3093		2.805" I.D. X 3.929" O.D. X .1345" THICK
	SN4924		2.8375" I.D. X 3.929" O.D. X .100" THICK
	SN5337		2.77" I.D. X 3.929" O.D. X .100" THICK
	SN3094		TRUNNION BEARING RETAINER THICKNESS .109" THICK
	SN4925		.092" THICK

4510 DISC CHISEL
SERVICE PARTS

FRONT DEPTH CONTROL INDICATOR
ASSEMBLY



04927

4510 DISC CHISEL
SERVICE PARTS

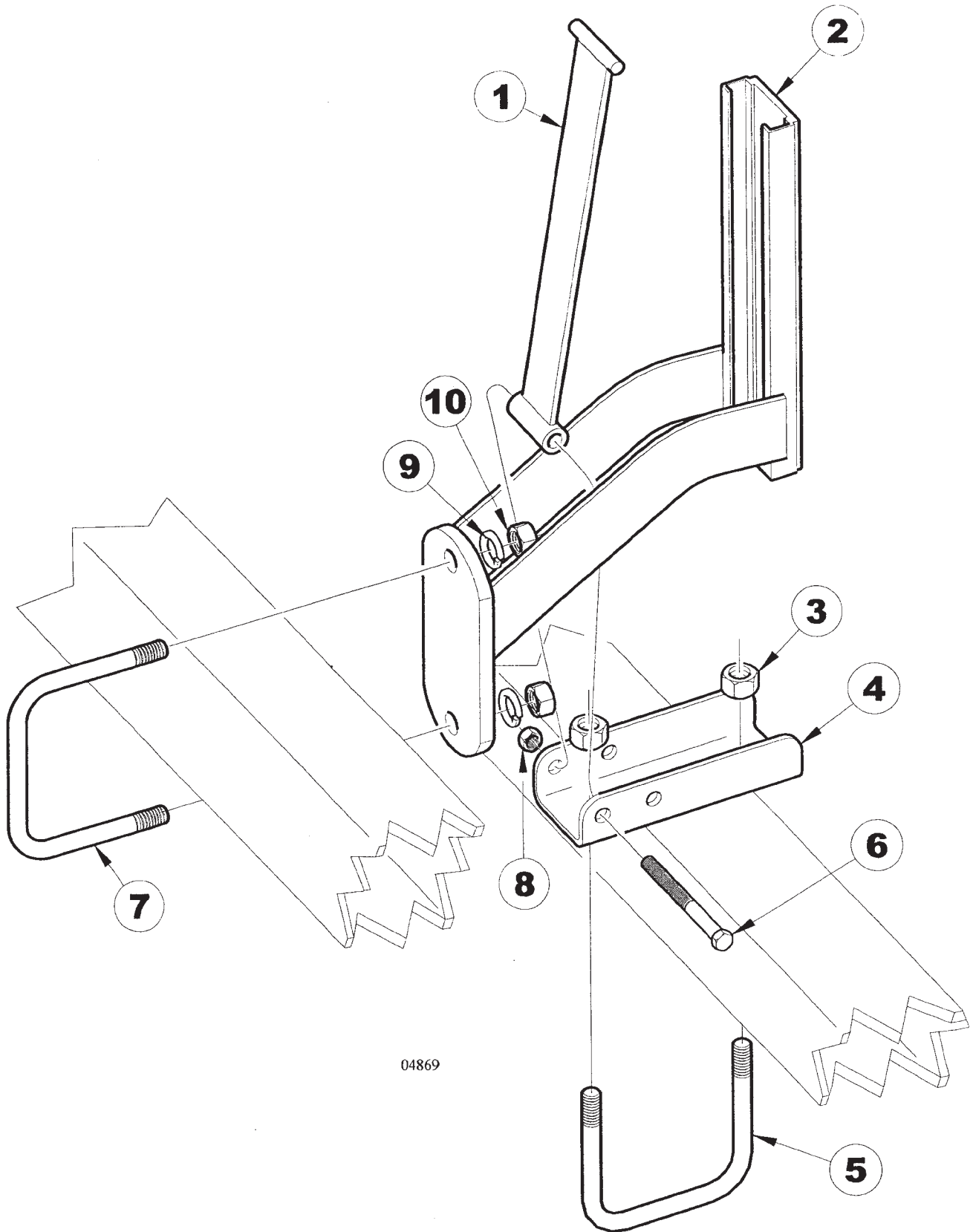
53

FRONT DEPTH CONTROL INDICATOR
ASSEMBLY

ITEM	NUMBER	QTY	DESCRIPTION
1	SN7373		CONNECTOR, DEPTH CONTROL INDICATOR
2	SN9536		DEPTH GAUGE
3	SN669-1		LOCK NUT, 5/8" HEX NYLON INSERT
4	SN9095		BRACKET, DEPTH INDICATOR
5	SN6102		U-BOLT, 5/8"-11 X 5 1/2" X 5 11/16
6	SN140		HEX BOLT, 1/2"-13 X 4 1/2", GR 5,
7	SN3763		U-BOLT, 3/4"-10 X 5 3/4" X 6 3/4"
8	SN2096		LOCK NUT, 1/2"-13 HEX NYLON INSERT
9	SN1040		LOCK WASHER, 3/4" SPLIT TYPE MED, Z/P
10	SN106		HEX NUT, 3/4"-10 FULL, GR 5, Z/P

I0004927
PR: t05g29j22d0024

REAR DEPTH CONTROL INDICATOR
ASSEMBLY



04869

4510 DISC CHISEL
SERVICE PARTS

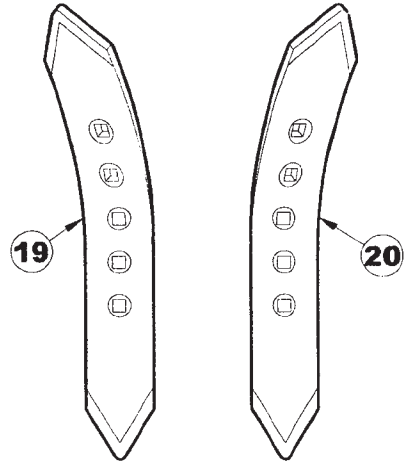
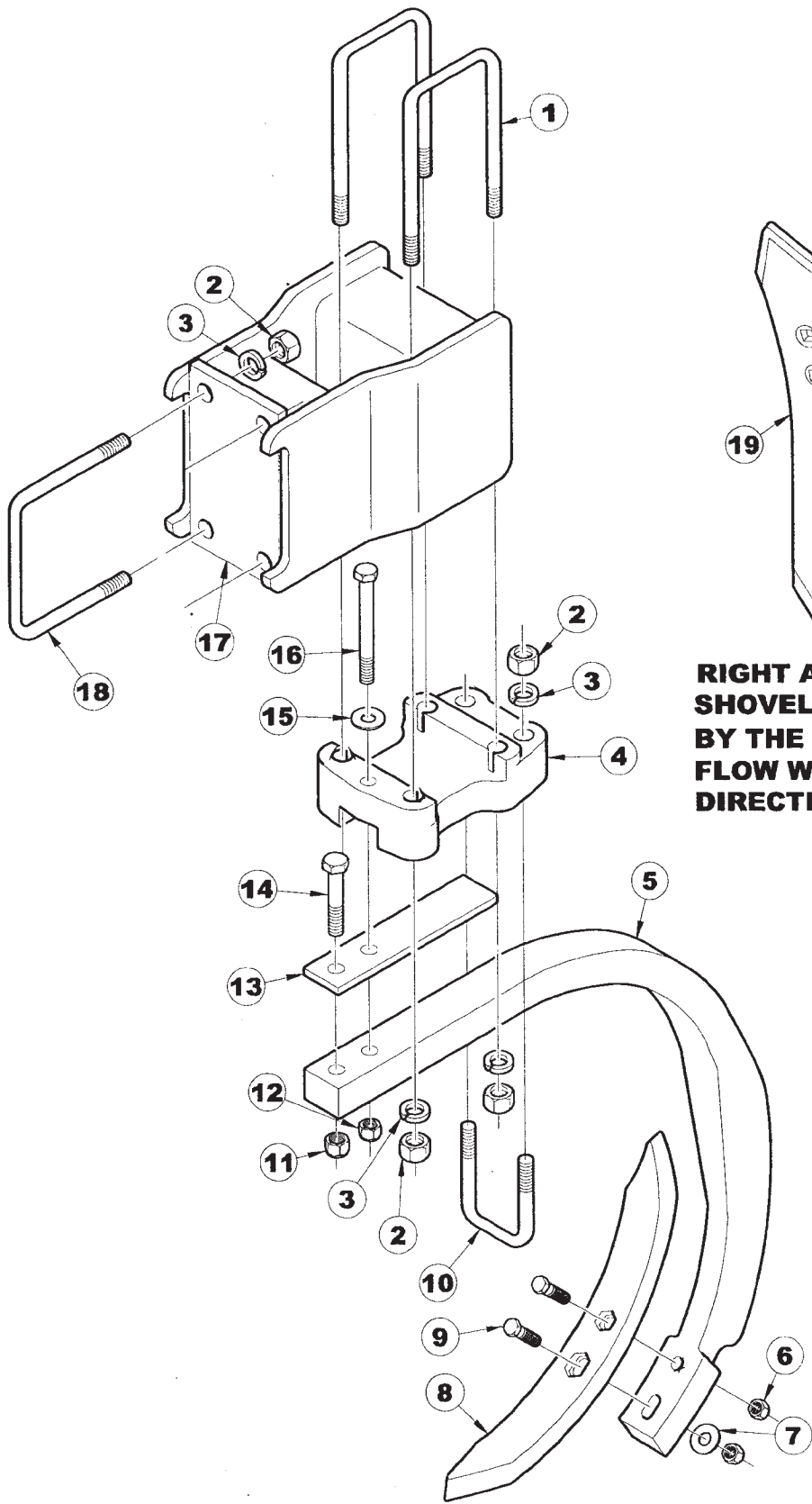
55

REAR DEPTH CONTROL INDICATOR
ASSEMBLY

ITEM	NUMBER	QTY	DESCRIPTION
1	SN7373		CONNECTOR, DEPTH CONTROL INDICATOR
2	SN9564		DEPTH GAUGE
3	SN669-1		LOCK NUT, 5/8" HEX NYLON INSERT, GR 5, Z/P
4	SN9095		DEPTH INDICATOR BRACKET
5	SN6102		U-BOLT, 5/8"-11 X 5 1/2" X 5 11/16" W, GR 5, Z/P
6	SN140		HEX BOLT, 1/2"-13 X 4 1/2", GR 5, Z/P
7	SN3763		U-BOLT, 3/4"-10 X 5 3/4" X 6 3/4" W, GR 5, Z/P
8	SN2096		LOCK NUT, 1/2"-13 HEX NYLON INSERT, GR 8, Z/P
9	SN1040		LOCK WASHER, 3/4" SPLIT TYPE MED, Z/P
10	SN106		HEX NUT, 3/4"-10 FULL, GR 5, Z/P

I0004869
PR: t05g29j22d0025

RIGID SHANK ASSEMBLY



**RIGHT AND LEFT TWISTED
SHOVELS ARE DETERMINED
BY THE DIRECTION OF THE DIRT
FLOW WHEN FACING THE
DIRECTION OF TRAVEL.**

04865

**4510 DISC CHISEL
SERVICE PARTS**

57

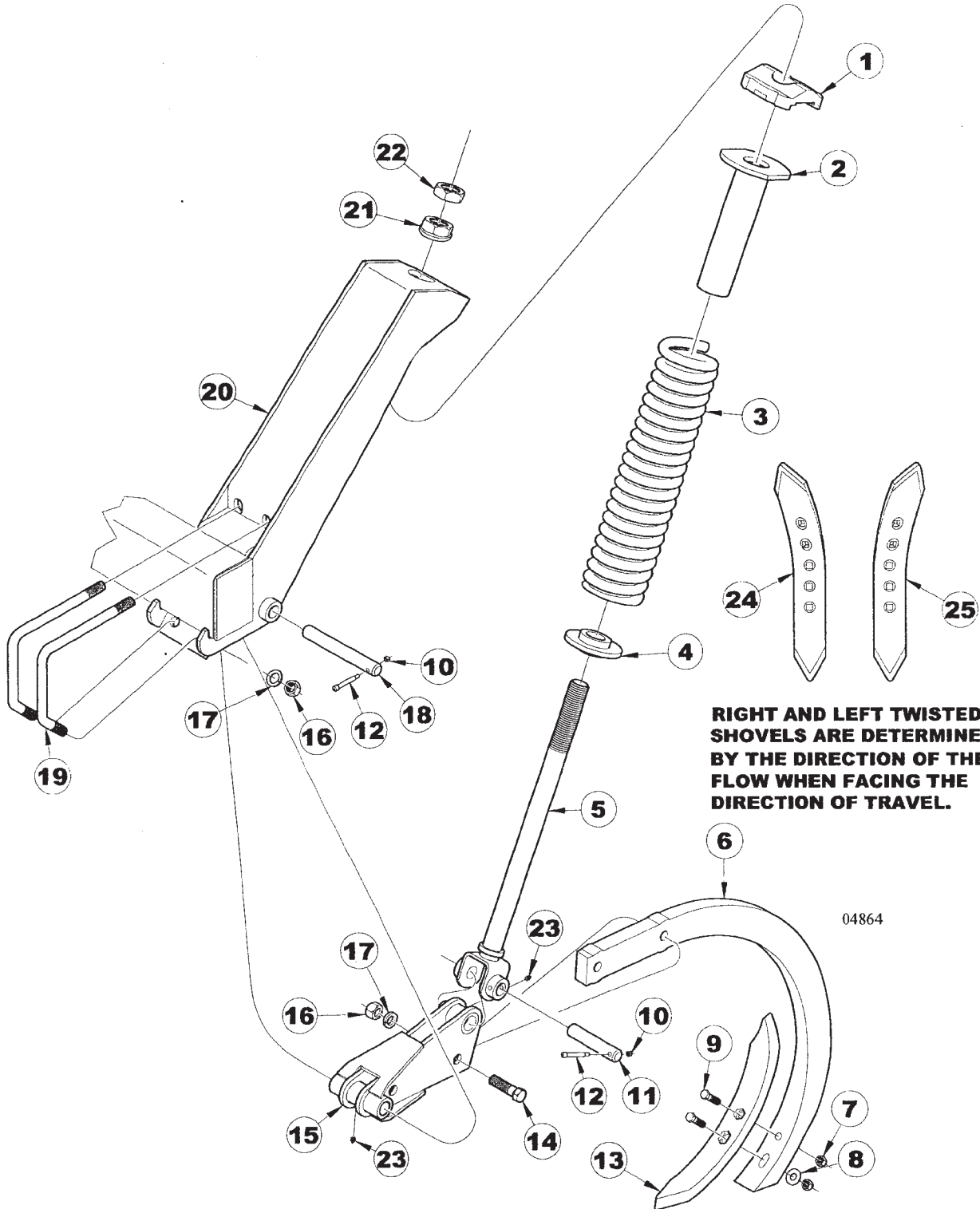
RIGID SHANK ASSEMBLY

ITEM	NUMBER	QTY	DESCRIPTION
1	SN3755		U-BOLT, 3/4"-10 X 8 3/4" X 4 13/16" W, GR 5, Z/P
2	SN106		HEX NUT, 3/4"-10 FULL, GR 5, Z/P
3	SN1040		LOCK WASHER, 3/4" SPLIT TYPE MED, Z/P
4	SN3751		SHANK CLAMP CASTING-RED
5	SN5540		SHANK, 1 1/2" X 2" X 30", EDGE BENT, 50 DEG
6	SN2096		LOCK NUT, 1/2"-13 HEX NYLON INSERT, GR 8, Z/P
7	SN486		FLAT WASHER, 1/2", Z/P
8	SN4810		POINT, 1" X 2" X 18", REV, HEAVY DUTY
9	SN156 SN2949		HEX BOLT, 1/2"-13 X 3", GR 5 Z/P PLOW BOLT, 1/2"-13 X 3", GR 5, Y/D (USED WITH TWISTED SHOVELS)
10	SN3754		U-BOLT, 3/4"-10 X 4 1/4" X 3 3/8" W, GR 5, Z/P
11	SN669-1		LOCK NUT, 5/8" HEX NYLON INSERT, GR 5, Z/P
12	SN3757		LOCK NUT, 9/16"-12 HEX NYLON INSERT, GR 8, PLATED
13	SN3753B		SHANK STOP
14	SN3758		HEX BOLT, 5/8"-11 X 3", GR 5, Z/P
15	SN3759		FLAT WASHER, 9/16", Z/P
16	SN3756		HEX BOLT, 9/16"-12 X 4 1/2", GR 5, Z/P
17	SN7309		* SHANK MOUNT, OFFSET
18	SN3763		U-BOLT, 3/4"-10 X 5 3/4" X 6 3/4" W, GR 5, Z/P
19	SN1725		SHOVEL, 1/2" X 3" RIGHT TWISTED
20	SN1726		SHOVEL, 1/2" X 3" LEFT TWISTED

NOTE:7309R (ONLY USED IN TWO
LOCATIONS - REFER TO PLACEMENT
DRAWINGS STARTING ON PG. 28)

I0004865
PR: t05g29j22d0026

AUTO-RESET SHANK ASSEMBLY



4510 DISC CHISEL
SERVICE PARTS

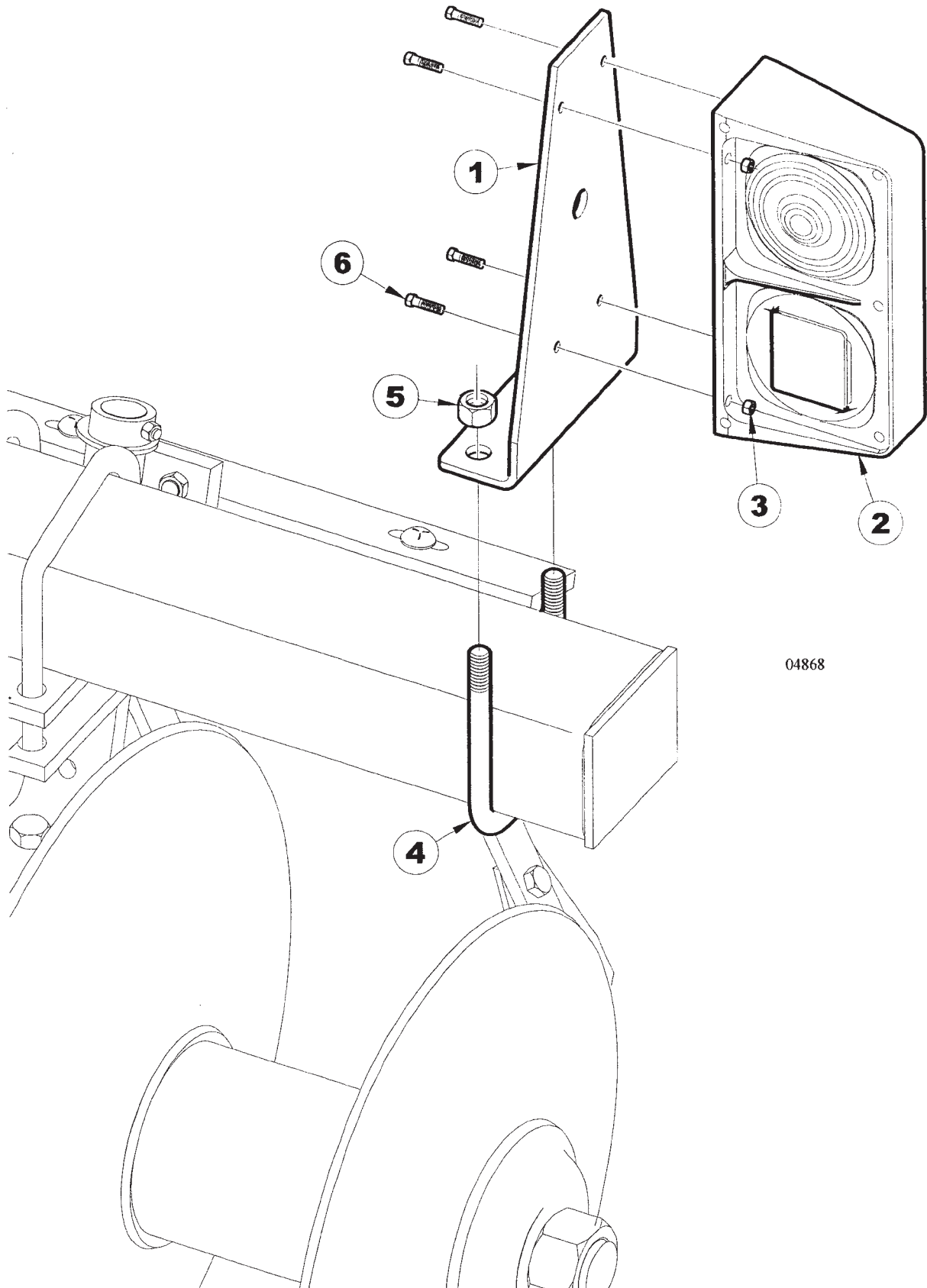
59

AUTO-RESET SHANK ASSEMBLY

ITEM	NUMBER	QTY	DESCRIPTION
1	SN5422		PIVOT PLATE, AUTO RESET SHANK
2	SN5424		SPRING TUBE
3	SN5419		SPRING, 4.375" OD X 2.625" ID X 17.59" L COMPRESSION
4	SN5426		SPRING WASHER
5	SN9370		SPRING ROD
6	SN5418		SHANK, 1 1/4" X 2 1/2" X 30"
7	SN2096		LOCK NUT, 1/2"-13 HEX NYLON INSERT, GR 8, Z/P
8	SN486		FLAT WASHER, 1/2", Z/P
9	SN1304		HEX BOLT, 1/2"-13 X 2 3/4", GR 5, Z/P
	SN2959		PLOW BOLT, 1/2"-13 X 3", GR 5, Y/D (USED WITH TWISTED SHOVELS)
10	SN3881		LOCK NUT, 1/4"-20 HEX NYLON INSERT, GR 2, Z/P
11	SN5544		PIN, 1" X 4 1/4" (3 23/32"), Z/P
12	SN3880		SHOULDER BOLT, 5/16" X 1 3/4", GR 8 EQUIV
13	SN4810		POINT, 1" X 2" X 18", REV, HEAVY DUTY
14	SN9493		HEX BOLT, 3/4"-10 X 3", 1" THD, GR5, Z/P
15	SN9969		SHANK HOLDER
16	SN106		HEX NUT, 3/4"-10 FULL, GR 5, Z/P
17	SN1040		LOCK WASHER, 3/4" SPLIT TYPE MED, Z/P
18	SN3163		PIN, 1" X 7 1/2" (6 27/32"), Z/P
19	SN5428		L-BOLT, 3/4"-10 X 9"
20	SN5429		SHANK MOUNT
21	SN5425		HEX FLANGE NUT, 1 1/2"-6 UNC Z/P
22	SN2079		JAM NUT, 1 1/2"-6 HEX, GR 2, Z/P
23	SN2098-1		GREASE ZERK, 1/8" NPTF, 5/8" L
24	SN1725		SHOVEL, 1/2" X 3" RIGHT TWISTED
25	SN1726		SHOVEL, 1/2" X 3" LEFT TWISTED
	SN5421		SHANK ASSY, AUTO RESET (ITEMS 1-6, 10-12, 14-19)

I0004864
PR: t05g29j22d0027

LIGHT KIT MOUNTING BRACKET



04868

4510 DISC CHISEL
SERVICE PARTS

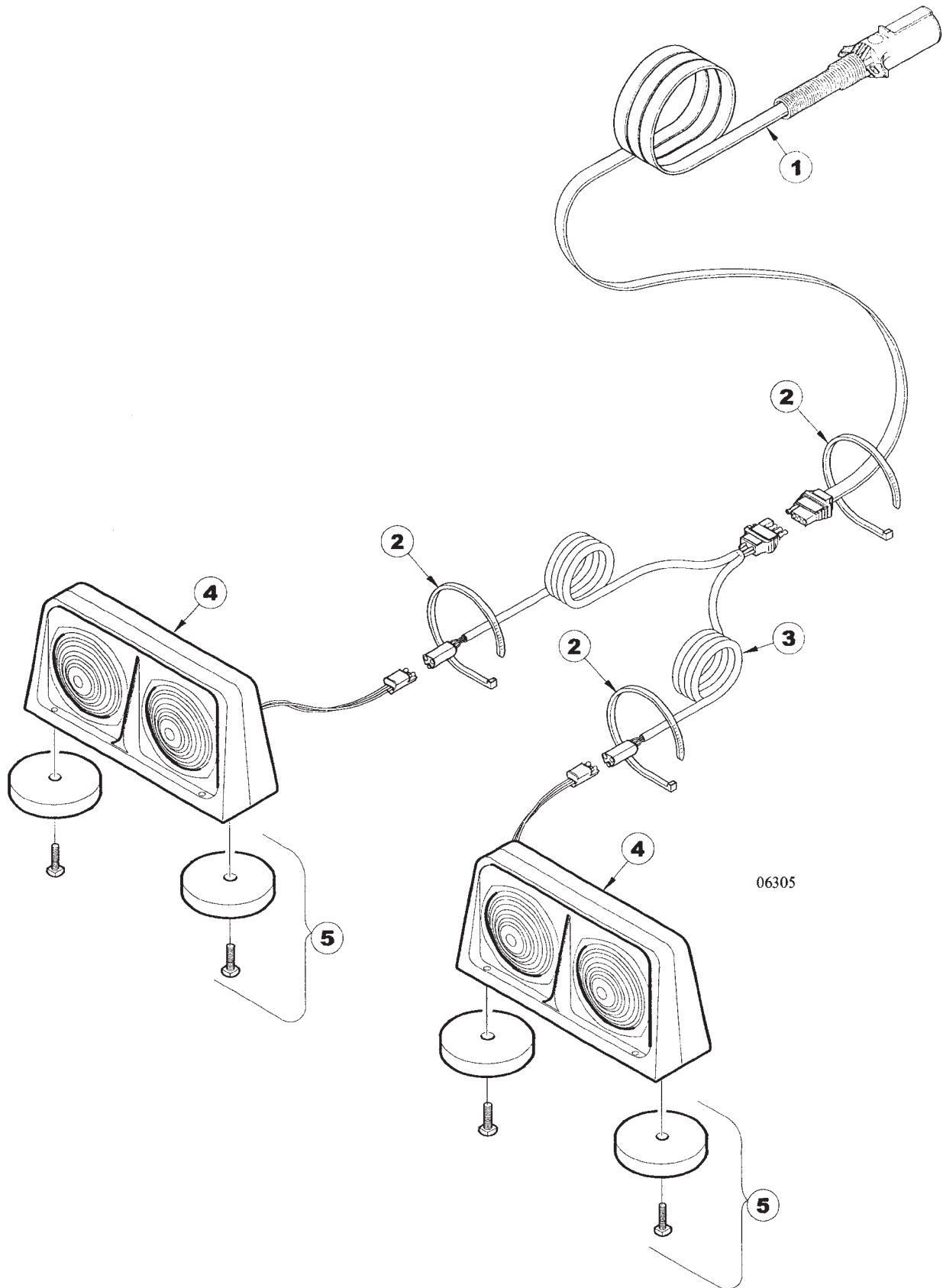
61

LIGHT KIT MOUNTING BRACKET

ITEM	NUMBER	QTY	DESCRIPTION
1	SN9041		BRACKET, LIGHT
2	SN5844		DUAL LAMP, AMBER FRT/RR & RED RR, RT
	SN5845		DUAL LAMP, AMBER FRT/RR & RED RR, LT
3	SN3881		LOCK NUT, 1/4"-20, HEX NYLON INSERT, GR2, Z/P
4	SN6102		U-BOLT, 5/8"-11 X 5 1/2" X 5 11/16" W, GR 5, Z/P
5	SN669-1		LOCK NUT, 5/8" HEX NYLON INSERT, GR 5, Z/P
6	SN2750		HEX BOLT, 1/4"-20 X 1 1/4", GR 2, Z/P

I0004868
PR: t05g29j22d0028

LIGHT KIT ASSEMBLY (5838)



06305

4510 DISC CHISEL
SERVICE PARTS

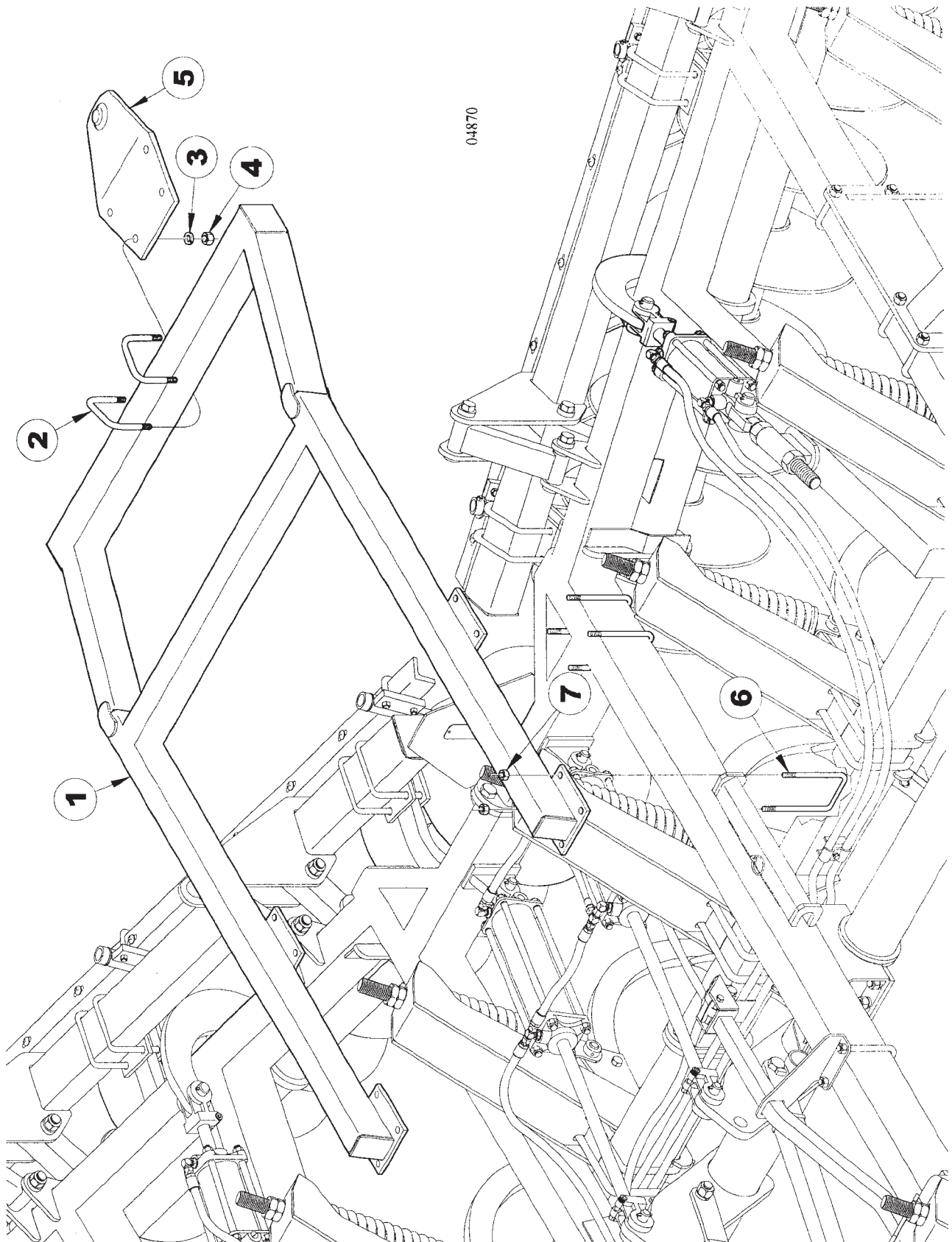
63

LIGHT KIT ASSEMBLY (5838)

ITEM	NUMBER	QTY	DESCRIPTION
1	SN5846		HARNES, 25' STR SEC, SHIELDED FESTOON CABLE W/CONN
2	SN2587		PLASTIC HOSE STRAP, 21 1/2" L
3	SN5847		HARNES, 15' WISHBONE W/FLAT & TRIANGULAR CONNECTOR
4	SN5845		DUAL LAMP, AMBER FT/REAR & RED REAR, LEFT
	SN5844		DUAL LAMP, AMBER FT/REAR & RED REAR, RIGHT
5	SN5857		MAGNET KIT
	SN5838		LIGHT KIT W/HARDWARE

I0006305
PR: t05g29j22d0029

REAR TOW HITCH W/BALL JOINT



4510 DISC CHISEL
SERVICE PARTS

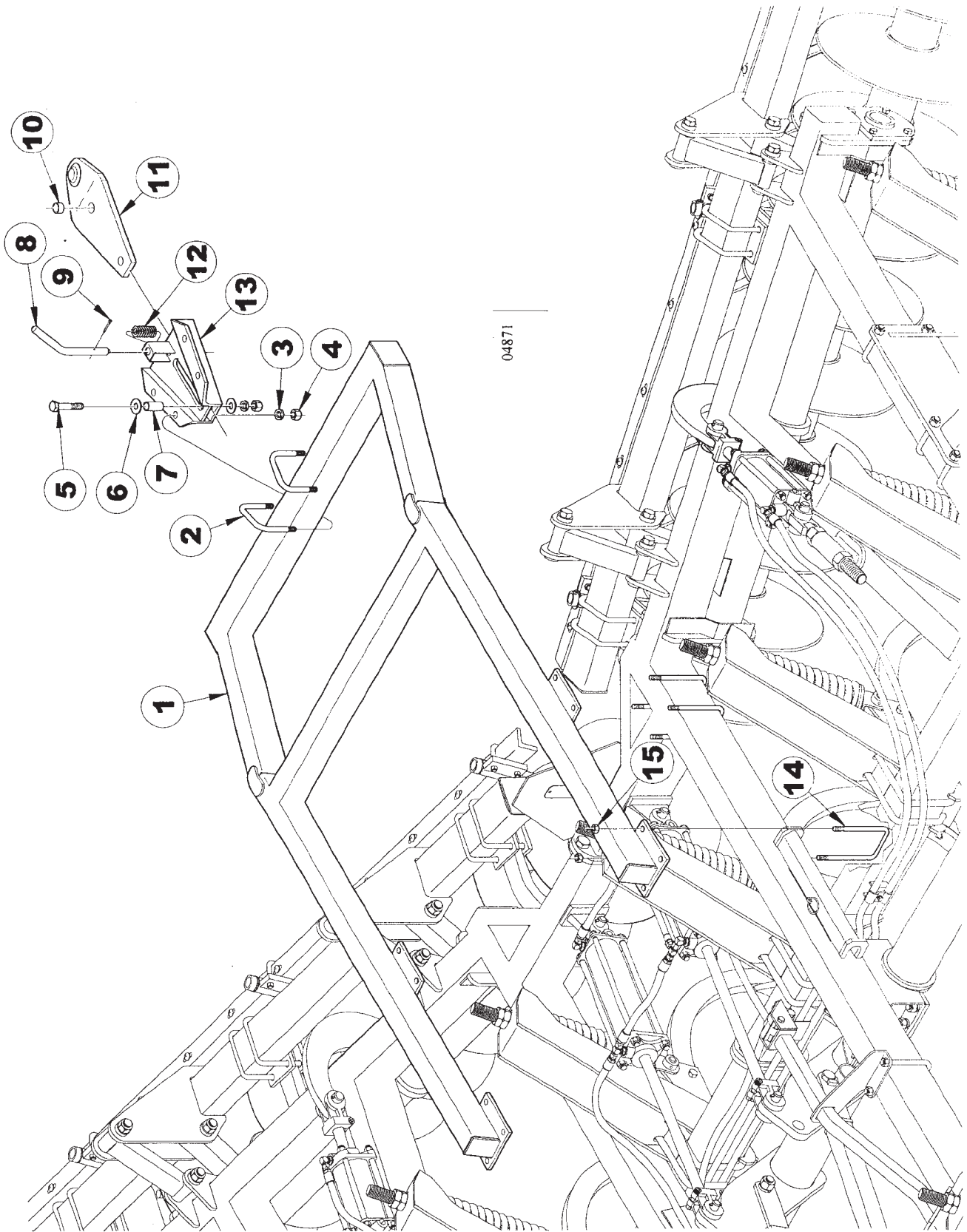
65

REAR TOW HITCH W/BALL JOINT

ITEM	NUMBER	QTY	DESCRIPTION
1	SN9535		REAR TOW HITCH
2	SN198		U-BOLT, 3/4"-10 X 5 1/2" X 5" W, GR 5, Z/P
3	SN1040		LOCK WASHER, 3/4" SPLIT TYPE MED, Z/P
4	SN106		HEX NUT, 3/4"-10 FULL, GR 5, Z/P
5	SN4700		ADAPTER, REAR TOW HITCH
6	SN2984		U-BOLT, 5/8"-11 X 7 1/2" X 4 3/4" W, GR 5, Z/P
7	SN669-1		LOCK NUT, 5/8" HEX NYLON INSERT, GR 5, Z/P
	SN9540		REAR TOW HITCH ASSY W/4700B BALL JOINT (ITEMS 1-7)

I0004870
PR: t05g29j22d0030

REAR TOW HITCH W/HITCH SLIDE &
BALL JOINT



4510 DISC CHISEL
SERVICE PARTS

67

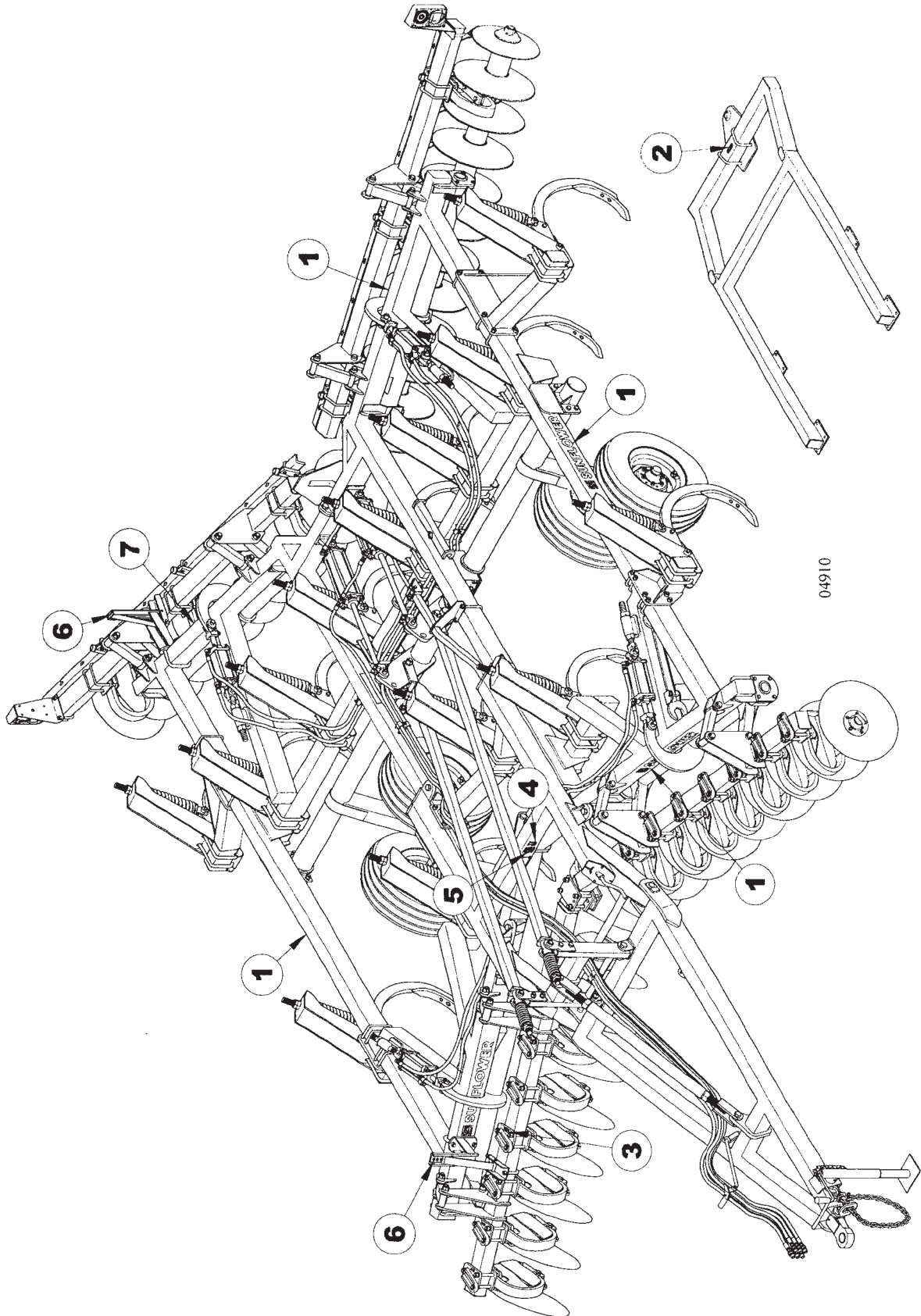
REAR TOW HITCH W/HITCH SLIDE &
BALL JOINT

ITEM	NUMBER	QTY	DESCRIPTION
1	SN9535		REAR TOW HITCH
2	SN198		U-BOLT, 3/4"-10 X 5 1/2" X 5" W, GR 5, Z/P
3	SN1040		LOCK WASHER, 3/4" SPLIT TYPE MED, Z/P
4	SN106		HEX NUT, 3/4"-10 FULL, GR 5, Z/P
5	SN105		HEX BOLT, 3/4"-10 X 3 1/2", GR 5, Z/P
6	SN893		FLAT WASHER, 3/4" Z/P
7	SN3364		BUSHING, 13/16"ID X 2" L
8	SN3365		PIN, 7/8" SPCL
9	SN1609		COTTER PIN, 3/16" X 1 1/2"
10	SN3367		WEAR BUSHING, 1"ID X 1 1/4"OD 3/4" L
11	SN4740		HITCH MOUNT W/BALL JOINT
12	SN3366		HITCH SPRING
13	SN3363		HITCH SLIDE
14	SN2984		U-BOLT, 5/8"-11 X 7 1/2" X 4 3/4" W, GR 5, Z/P
15	SN669-1		LOCK NUT, 5/8" HEX NYLON INSERT, GR 5, Z/P
	SN4739		HITCH ASSEMBLY (ITEMS 5-13)
	SN9541		REAR TOW HITCH ASSY W/4739 HITCH SLIDE & BALL JOINT (ITEMS 1-15)

I0004871
PR: t05g29j22d0031

4510 DISC CHISEL
SERVICE PARTS

DECAL PLACEMENT



**4510 DISC CHISEL
SERVICE PARTS**

69

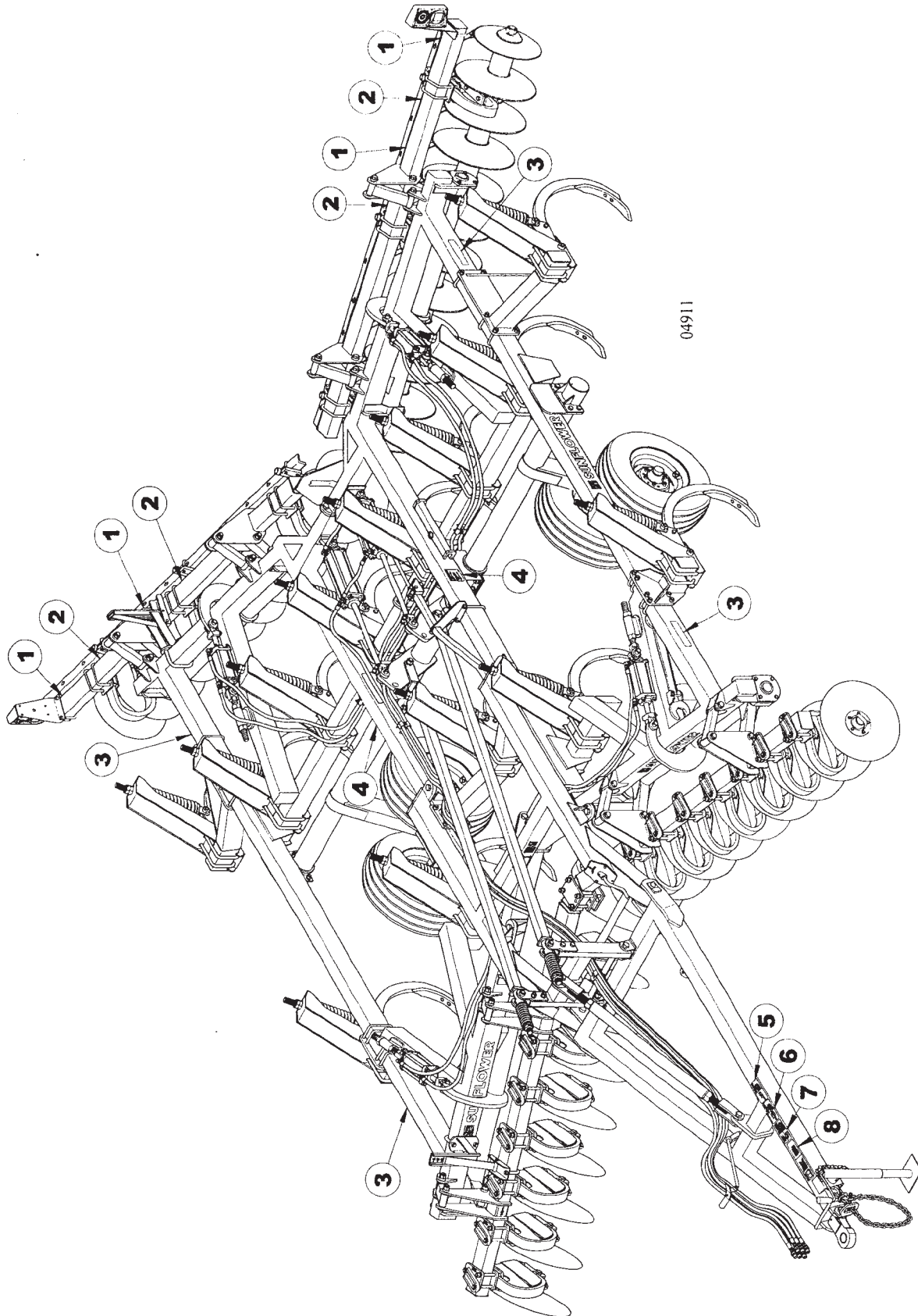
DECAL PLACEMENT

ITEM	NUMBER	QTY	DESCRIPTION
1	SN997002		SUNFLOWER DECAL
2	SN997068		10,000 LB. GROSS LIMIT
3	SN997654		PATENT DECAL, #6,158,523
4	SN997246		FEMA DECAL
5	SN997263		DECAL, TILLAGE PROMOTES A SAFER
6	SN997426		LEVEL INDICATOR, A-K
7	SN997541		4510 DECAL

I0004910
PR: t05g29j22d0032

4510 DISC CHISEL
SERVICE PARTS

SAFETY SIGN PLACEMENT



**4510 DISC CHISEL
SERVICE PARTS**

71

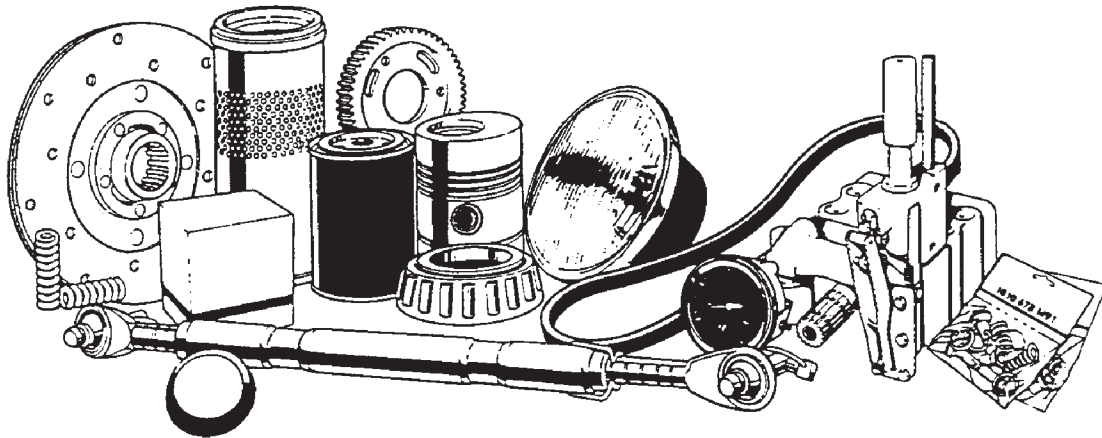
SAFETY SIGN PLACEMENT

ITEM	NUMBER	QTY	DESCRIPTION
1	SN997661		TAPE, RED REFLECTIVE 2" X 9" L
2	SN997662		TAPE, ORANGE REFLECTIVE 2" X 9" L
3	SN997663		TAPE, YELLOW REFLECTIVE 2" X 9" L
4	SN997312		TRANSPORT LOCK INSTALLATION
5	SN997074		UNITCHING HAZARD
6	SN997048		FASTEN SAFETY CHAIN
7	SN997311		HIGH PRESSURE FLUID HAZARD
8	SN997792		DECAL-WARNING, READ OPERATOR'S

I0004911
PR: t05g29j22d0033

RECOMMENDED DEALER STOCK

RECOMMENDED DEALER'S STOCK



**4510 DISC CHISEL
RECOMMENDED DEALER LIST**

73

RECOMMENDED DEALER STOCK

ITEM	NUMBER	QTY	DESCRIPTION
-	SN3271N	2	19.69" BLADE, 1 3/4" BORE 4 GA,
-	SN7602N	2	20.18" BLADE, 5 BOLT, .256" THICK,
-	SN2686N	2	22" BLADE, 1 3/4" BORE 4 GA,
-	SN7599N	2	22.33" BLADE, 5 BOLT, .256" THICK,
-	SN1602	2	BEARING (LM48548)
-	SN1935	2	BEARING (LM501349)
-	SN1606	2	BEARING (LM67048)
-	SN5844	1	DUAL LAMP, AMBER FRT/RR & RED RR,
-	SN5845	1	DUAL LAMP, AMBER FRT/RR & RED RR,
-	SN1610	1	DUST CAP, 2.448" OD, Z/P
-	SN3095	4	FLAT WASHER, 1 1/2" ID X 2 1/4"
-	SN5847	1	HARNESS, 15' WISHBONE W/FLAT &
-	SN5846	1	HARNESS, 25' STR SEC, SHIELDED
-	SN3302	1	HEX NUT, 1"-14 FULL SLOTTED
-	SN3369	1	HITCH CLEVIS BUSHING
-	SN3366	1	HITCH SPRING
-	SN5428	2	L-BOLT, 3/4"-10 X 9"
-	SN3118	6	LUG BOLT, 9/16"-18 X 1 7/8"
-	SN3117	6	LUG NUT, 9/16"-18, GR 5, 90 DEG
-	SN3365	1	PIN, 7/8" SPCL
-	SN4810	2	POINT, 1" X 2" X 18", REV,
-	SN1603	2	RACE (LM48510)
-	SN1936	2	RACE (LM501310)
-	SN1605	2	RACE (LM67010)
-	SN6103	4	SCRAPER BLADE, 4" W RIGID
-	SN12015	2	SEAL KIT, 3 1/2", 1 1/2" ROD, CROSS
-	SN8774-1	2	SEAL KIT, 3 1/2", 1 1/2" ROD, CROSS
-	SN8775-1	2	SEAL KIT, 3 1/2", 1 1/4" ROD,
-	SN8767-1	2	SEAL KIT, 3 1/4", 1 1/4" ROD
-	SN5540	1	SHANK, 1 1/2" X 2" X 30",
-	SN5418	1	SHANK, 1 1/4" X 2 1/2" X 30"
-	SN1726	2	SHOVEL, 1/2" X 3" LEFT TWISTED
-	SN1725	2	SHOVEL, 1/2" X 3" RIGHT TWISTED
-	SN3300	1	SIX BOLT HUB ASSEMBLY W/3301 SEAL
-	SN7001	1	SMV EMBLEM
-	SN3301	2	TRIPLE LIP SEAL
-	SNFK310044	2	TRIPLE LIP SEAL
-	SN3090	2	TRUNNION BEARING COMPLETE
-	SN6773	2	U-BOLT, 1/2"-13 X 4 1/8" X 2 1/8"
-	SN3754	2	U-BOLT, 3/4"-10 X 4 1/4" X 3 3/8"
-	SN198	2	U-BOLT, 3/4"-10 X 5 1/2" X 5" W,
-	SN3763	2	U-BOLT, 3/4"-10 X 5 3/4" X 6 3/4"
-	SN9008	2	U-BOLT, 3/4"-10 X 7 1/4" X 5 13/16"
-	SN3755	2	U-BOLT, 3/4"-10 X 8 3/4" X 4 13/16"
-	SN6102	2	U-BOLT, 5/8"-11 X 5 1/2" X 5 11/16"
-	SN2984	2	U-BOLT, 5/8"-11 X 7 1/2" X 4 3/4"
-	SN3303	1	WASHER, 1 1/32" ID X 1 3/4" ODX

NOTE: THIS PARTS STOCK LIST
INDICATES THOSE ITEMS RECOMMENDED
TO SERVICE ONE UNIT.

RDL
PR: t05g29j22d0034

CULTIVATORS/PACKERS

PARTS CATALOG

SUNFLOWER[®]
6333 LAND FINISHER ATTACHMENTS

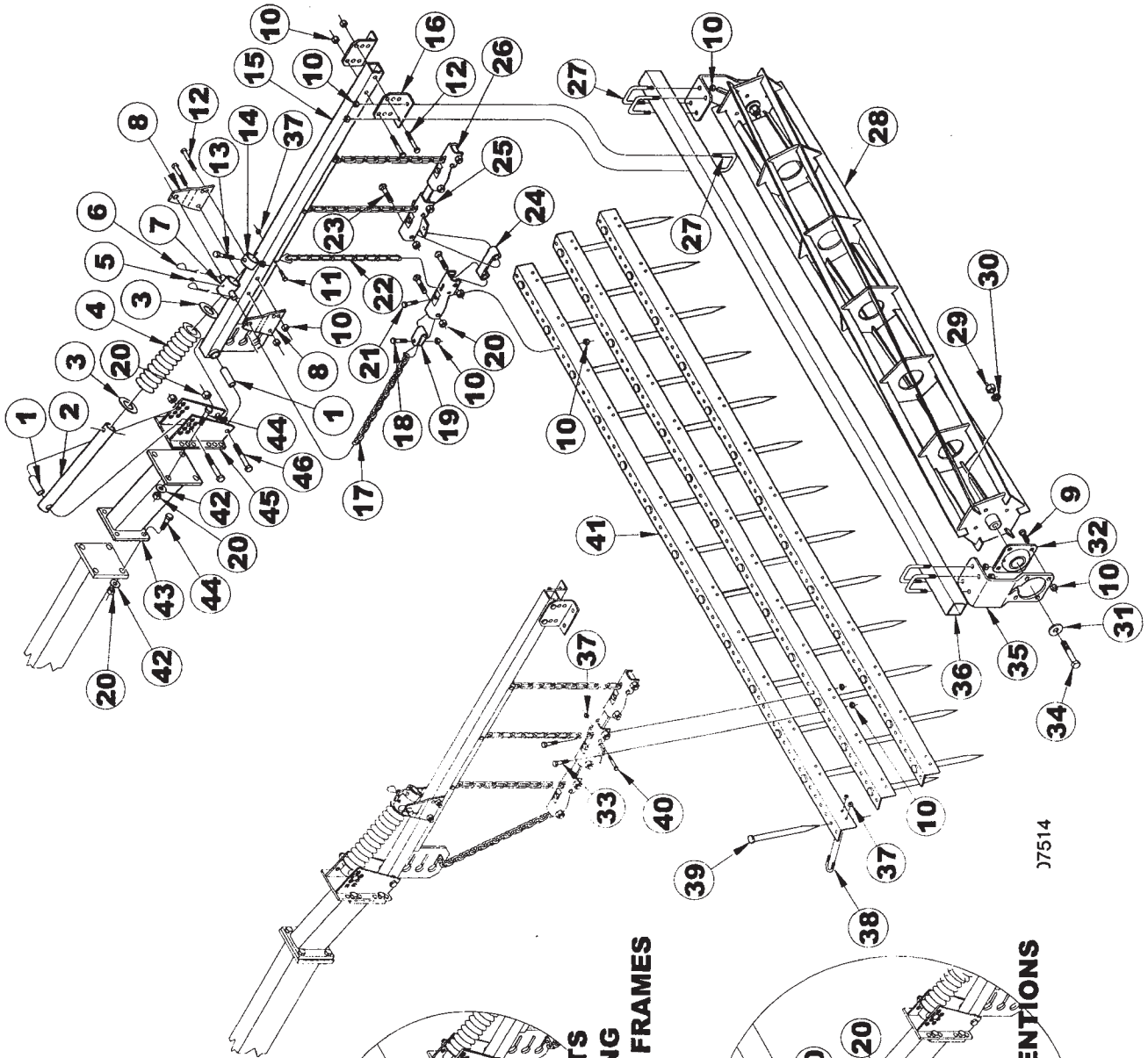
RECOMMENDED DEALER LIST	
RECOMMENDED DEALER STOCK	19
3-ROW COIL TINE & REEL PARTS	
REAR JACK ASSEMBLY	17
REEL ASSEMBLY	15
3-ROW COIL TINE	13
3-ROW SPIKE & REEL PARTS SECTION	
3-ROW SPIKE DRAG & REEL	7
6-ROW SPIKE DRAG PARTS SECTION	
6-ROW SPIKE DRAG ASSEMBLY	11

6333 LAND FINISHER ATTACHMENTS

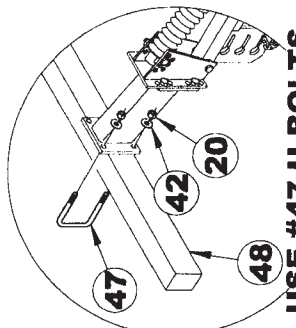
Part No.	Page	Grid	Part No.	Page	Grid	Part No.	Page	Grid	Part No.	Page	Grid
SNFK150083	11	1-B 7	SN2815	9	1-B 6	SN3985	7	1-B 6			
SNFK150173	15	1-B 7	SN2815	19	1-B 7	SN3985	11	1-B 7			
SNFK351023	15	1-B 7	SN2867	17	1-B 7	SN4738	9	1-B 6			
SNFK361002	15	1-B 7	SN3065	13	1-B 7	SN4738	11	1-B 7			
SNFK361002	19	1-B 7	SN3065	15	1-B 7	SN4738	13	1-B 7			
SNFK361003	15	1-B 7	SN317	13	1-B 7	SN4870	7	1-B 6			
SNFK361003	19	1-B 7	SN3215	9	1-B 6	SN4888	7	1-B 6			
SNFK501164	15	1-B 7	SN3215	15	1-B 7	SN5576	15	1-B 7			
SNHEN3410	13	1-B 7	SN3215	19	1-B 7	SN5633	9	1-B 6			
SN10057	9	1-B 6	SN3306	9	1-B 6	SN5633	15	1-B 7			
SN10057	15	1-B 7	SN3306	11	1-B 7	SN5715	13	1-B 7			
SN10059B	9	1-B 6	SN3306	15	1-B 7	SN5715	19	1-B 7			
SN10059B	15	1-B 7	SN3306	17	1-B 7	SN5719	13	1-B 7			
SN10060	9	1-B 6	SN3306	19	1-B 7	SN5722R	13	1-B 7			
SN10060	15	1-B 7	SN3335	7	1-B 6	SN5723	13	1-B 7			
SN10061	9	1-B 6	SN3335	19	1-B 7	SN5724	13	1-B 7			
SN10061	15	1-B 7	SN3352	17	1-B 7	SN5727	13	1-B 7			
SN10146B	11	1-B 7	SN3353	17	1-B 7	SN5729	13	1-B 7			
SN10148B	11	1-B 7	SN3354	17	1-B 7	SN5730	13	1-B 7			
SN10149B	9	1-B 6	SN3355	17	1-B 7	SN5731	13	1-B 7			
SN10152	11	1-B 7	SN3371	13	1-B 7	SN5731	19	1-B 7			
SN10154	9	1-B 6	SN3371	17	1-B 7	SN5732	13	1-B 7			
SN10154	11	1-B 7	SN3557	13	1-B 7	SN5732	19	1-B 7			
SN10155	11	1-B 7	SN3566	13	1-B 7	SN5736	15	1-B 7			
SN10156	9	1-B 6	SN3567	9	1-B 6	SN5737	15	1-B 7			
SN10161	11	1-B 7	SN3567	11	1-B 7	SN5738	15	1-B 7			
SN10161	19	1-B 7	SN3567	13	1-B 7	SN5810	9	1-B 6			
SN10162	11	1-B 7	SN3569	13	1-B 7	SN5810	11	1-B 7			
SN10162	19	1-B 7	SN3569	15	1-B 7	SN5887	15	1-B 7			
SN10163	11	1-B 7	SN3606	7	1-B 6	SN5890	13	1-B 7			
SN1040	9	1-B 6	SN3609	13	1-B 7	SN668	15	1-B 7			
SN1040	15	1-B 7	SN3610	13	1-B 7	SN669	15	1-B 7			
SN106	9	1-B 6	SN3611	13	1-B 7	SN669-1	7	1-B 6			
SN106	15	1-B 7	SN3612	13	1-B 7	SN669-1	11	1-B 7			
SN10646B	11	1-B 7	SN3613	9	1-B 6	SN669-1	13	1-B 7			
SN112	7	1-B 6	SN3613	15	1-B 7	SN669-1	15	1-B 7			
SN112	11	1-B 7	SN3619	7	1-B 6	SN669-1	17	1-B 7			
SN12340R	11	1-B 7	SN3619	15	1-B 7	SN670	9	1-B 6			
SN12341	11	1-B 7	SN3619	19	1-B 7	SN670	15	1-B 7			
SN12341	19	1-B 7	SN3621	13	1-B 7	SN7013	7	1-B 6			
SN12342	11	1-B 7	SN3621	19	1-B 7	SN7013	11	1-B 7			
SN12344	11	1-B 7	SN3622	7	1-B 6	SN7013	19	1-B 7			
SN12345B	11	1-B 7	SN3623	7	1-B 6	SN7013	19	1-B 7			
SN12532	15	1-B 7	SN3625	7	1-B 6	SN7056R	9	1-B 6			
SN12532R	9	1-B 6	SN3626	7	1-B 6	SN71L-2901	15	1-B 7			
SN12533	11	1-B 7	SN3628	7	1-B 6	SN7687	9	1-B 6			
SN12534	11	1-B 7	SN3629	13	1-B 7	SN7907	13	1-B 7			
SN12542B	11	1-B 7	SN3635	13	1-B 7	SN7908	13	1-B 7			
SN12562R	9	1-B 6	SN3635	15	1-B 7	SN9777	17	1-B 7			
SN12567R	15	1-B 7	SN3635	19	1-B 7	SN9917	9	1-B 6			
SN1507	7	1-B 6	SN3643	9	1-B 6	SN9917	15	1-B 7			
SN1507	13	1-B 7	SN3643	15	1-B 7						
SN156	7	1-B 6	SN3644	9	1-B 6						
SN159	15	1-B 7	SN3644	15	1-B 7						
SN1599	9	1-B 6	SN3645	15	1-B 7						
SN1599	15	1-B 7	SN3646	9	1-B 6						
SN1609	7	1-B 6	SN3646	15	1-B 7						
SN1723	15	1-B 7	SN3647	13	1-B 7						
SN175	7	1-B 6	SN3647	15	1-B 7						
SN175	13	1-B 7	SN3652	9	1-B 6						
SN178	13	1-B 7	SN3859	13	1-B 7						
SN1823	9	1-B 6	SN3894	9	1-B 6						
SN1823	11	1-B 7	SN3894	19	1-B 7						
SN194	7	1-B 6	SN3895B	9	1-B 6						
SN194	15	1-B 7	SN3895B	19	1-B 7						
SN2045	7	1-B 6	SN3938	15	1-B 7						
SN2045	11	1-B 7	SN3976	7	1-B 6						
SN2078	15	1-B 7	SN3976	11	1-B 7						
SN2089	15	1-B 7	SN3976	19	1-B 7						
SN2094	17	1-B 7	SN3977	7	1-B 6						
SN2096	7	1-B 6	SN3979	7	1-B 6						
SN2097	11	1-B 7	SN3982	7	1-B 6						
SN2098-6	7	1-B 6	SN3982	11	1-B 7						
SN2557	9	1-B 6	SN3983	11	1-B 7						
SN2755	7	1-B 6	SN3984	11	1-B 7						

6333 LAND FINISHER ATTACHMENTS
3-ROW SPIKE & REEL PARTS SECTION

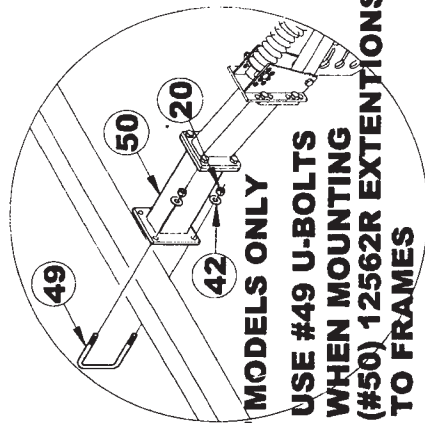
3-ROW SPIKE DRAG & REEL



J7514



**USE #47 U-BOLTS
WHEN MOUNTING
ARMS TO WING FRAMES**



**22' MODELS ONLY
USE #49 U-BOLTS
WHEN MOUNTING
(#50) 12562R EXTENSIONS
TO FRAMES**

6333 LAND FINISHER ATTACHMENTS
3-ROW SPIKE & REEL PARTS SECTION

3-ROW SPIKE DRAG & REEL

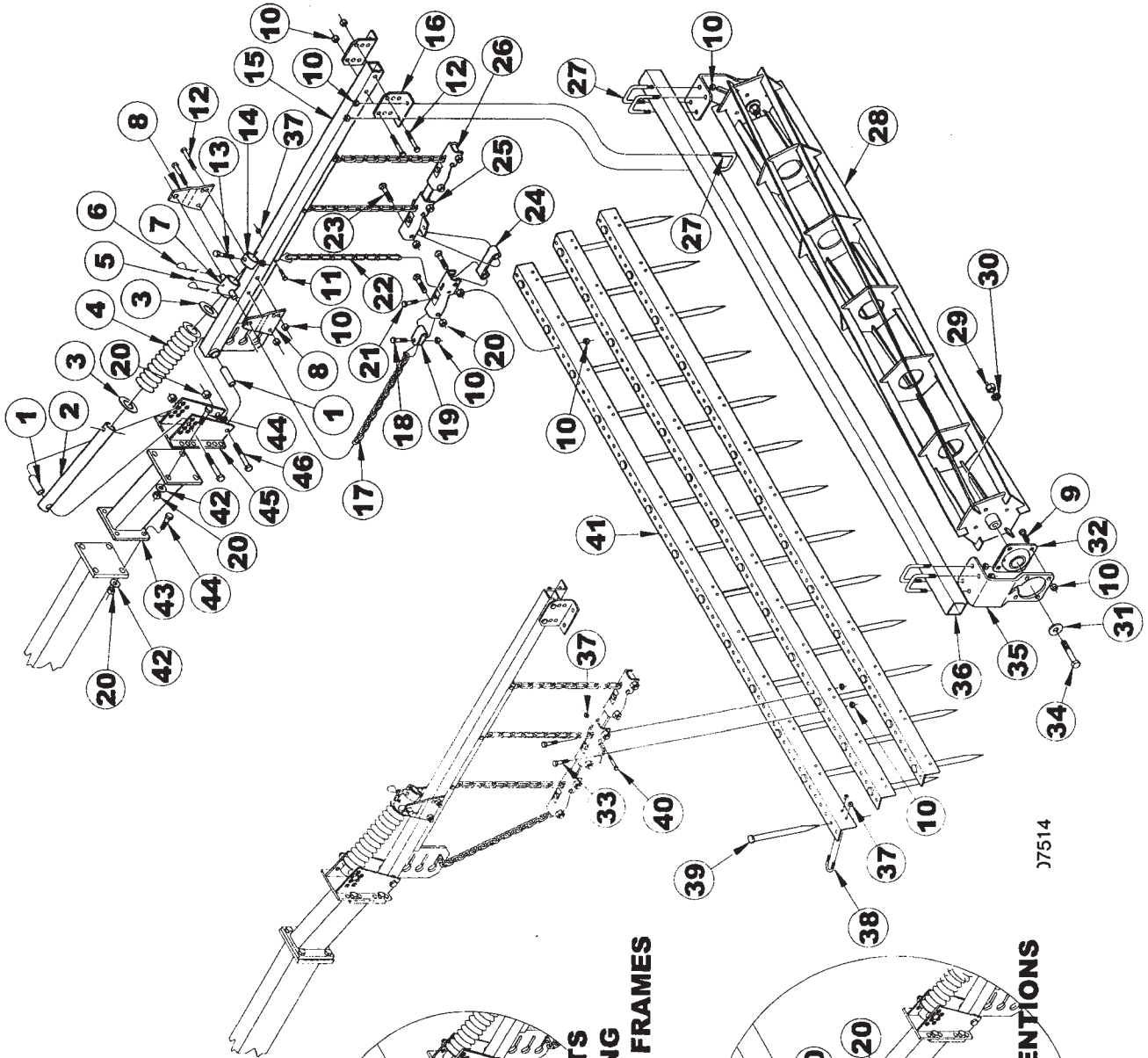
ITEM	NUMBER QTY	DESCRIPTION
1	SN3628	REEL CARRIER ARM PIVOT BUSHING
2	SN3625	SPRING TUBE
3	SN2755	FLAT WASHER, 1 9/16"ID X 2 13/16" OD, 10 GA, Y/D
4	SN3335	SPRING
5	SN2098-6	GREASE ZERK, 1/4"-28, 17/32" L,
6	SN1609	COTTER PIN, 3/16" X 1 1/2"
7	SN3623	SPRING PIVOT
8	SN3606	SPRING MOUNT
9	SN194	HEX BOLT, 1/2"-13 X 1 1/2",GR 5, Y/D
10	SN2096	LOCK NUT, 1/2"-13 HEX NYLON INSERT
11	SN175	HEX BOLT, 3/8"-16 X 1 1/2",GR 5, Y/D
12	SN1507	HEX BOLT, 1/2"-13 X 3 1/2",GR 5, Y/D
13	SN156	HEX BOLT, 1/2"-13 X 3", GR 5 Y/D
14	SN3626	SPRING STOP
15	SN4870	SPIKE & REEL ARM
16	SN3622	REEL GANG BAR MOUNT
17	SN4888	CHAIN, 5/16" PROOF, 15 LINKS
18	SN2045	HEX BOLT, 1/2"-13 X 1 3/4", GR5, Y/D
19	SN7013	U-CLIP
20	SN669-1	LOCK NUT, 5/8" HEX NYLON INSERT, GR 5, Y/D
21	SN112	HEX BOLT, 1/2"-13 X 2 1/2",GR 5,Y/D
22	SN3982	CHAIN, 7/0 SIDE 10 LINKS
23	SN3985	CARRIAGE BOLT, 5/8"-11 X 3" GR 5, Y/D SPECIAL
24	SN3976	LINK, OFFSET
25	SN3979	DOUBLE BAR BRACKET
26	SN3977	BAR BRACKET
27	SN3619	U-BOLT, 1/2"-13 X 3 5/8" X 3" W, GR5, Y/D

CONTINUED

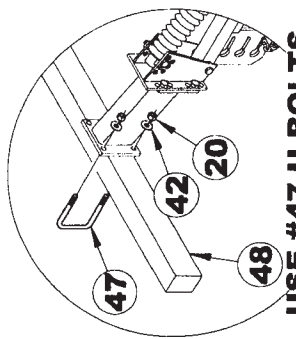
I0007514
PR: t05g29n54c0001

6333 LAND FINISHER ATTACHMENTS
3-ROW SPIKE & REEL PARTS SECTION

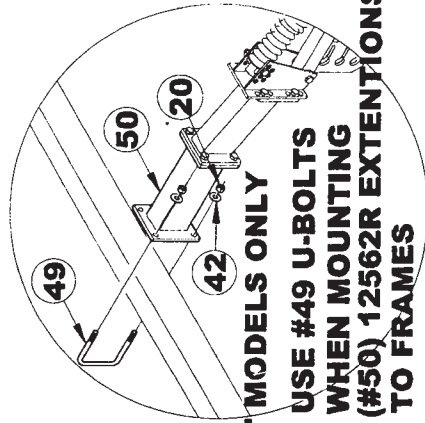
3-ROW SPIKE DRAG & REEL



37514



**USE #47 U-BOLTS
WHEN MOUNTING
ARMS TO WING FRAMES**



**22" MODELS ONLY
USE #49 U-BOLTS
WHEN MOUNTING
(#50) 12562R EXTENSIONS
TO FRAMES**

6333 LAND FINISHER ATTACHMENTS
3-ROW SPIKE & REEL PARTS SECTION

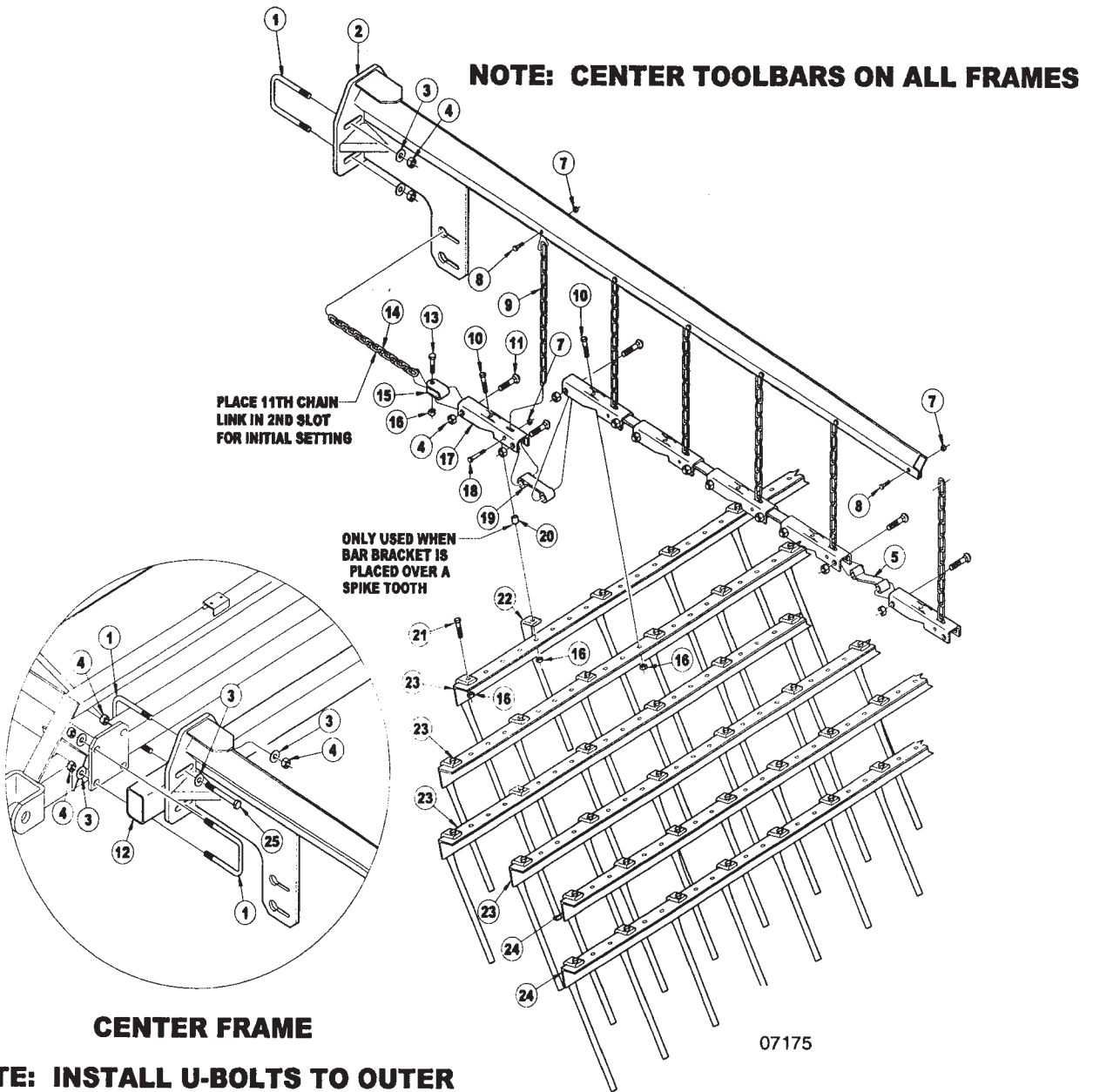
3-ROW SPIKE DRAG & REEL

ITEM	NUMBER	QTY	DESCRIPTION
28	SN10057		REEL, 41 1/4"
	SN10059B		REEL, 56 1/4"
	SN10060		REEL, 63 3/4"
	SN10061		REEL, 71 1/4"
29	SN106		HEX NUT, 3/4"-10 FULL, GR 5, Y/D
30	SN1040		LOCK WASHER, 3/4" SPLIT TYPE MED, Y/D
31	SN3613		FLAT WASHER, 7/8" ID X 2 1/8" OD X 1/4" THICK, Y/D
32	SN3215		FLANGETTE BEARING, 1 3/4" BORE
33	SN1823		HEX BOLT, 1/2"-13 X 1 1/4", GR 5, Y/D
34	SN1599		HEX BOLT, 3/4"-10 X 4", GR 5, Y/D
35	SN9917		BEARING STANDARD
36	SN3644		GANG BAR, 75"
	SN7056R		GANG BAR, 67 1/2"
	SN3643		GANG BAR, 60"
	SN3646		GANG BAR, 105"
37	SN3567		LOCK NUT, 3/8"-16 HEX NYLON INSERT, GR 2, Y/D
38	SN3894		TRI-BEND BOLT, 3/8"-16 X 1 1/2", Y/D
39	SN3895B		SPIKE TOOTH, 3/4" X 11"
40	SN4738		HEX BOLT, 3/8"-16 X 2 3/4", GR 5, Y/D
41	SN10149B		BAR, SPIKE TOOTH 14 1/4' (15 TOOTH)
	SN10154		BAR, SPIKE TOOTH 9 1/4' (10 & 13 TOOTH)
	SN10156		BAR, SPIKE TOOTH 12 1/4' (13 & 17 TOOTH)
42	SN5810		WASHER, 1 5/16" OD X 1 1/16" ID. 149" THICK, HARDENED, Y/D
43	SN7687		HARROW ARM EXTENSION, 12"
44	SN670		HEX BOLT, 5/8"-11 X 2", GR 5, Y/D
45	SN3652		REEL & TINE MOUNT
46	SN2557		HEX BOLT, 5/8"-11 X 4 1/2", GR 5, Y/D
47	SN3306		U-BOLT, 5/8"-11 X 4 1/2" X 4 5/8" W, GR 5, Y/D
48	SN12532R		TOOL BAR, 115"
	SN5633		TOOL BAR, 120"
49	SN2815		U-BOLT, 5/8"-11 X 4 1/2" X 5 11/16"W, GR 5, Y/D
50	SN12562R		TUBE, EXTENSION

I0007514
PR: t05g29n54c0001

6333 LAND FINISHER ATTACHMENTS
6-ROW SPIKE DRAG PARTS SECTION

6-ROW SPIKE DRAG ASSEMBLY



6333 LAND FINISHER ATTACHMENTS
6-ROW SPIKE DRAG PARTS SECTION

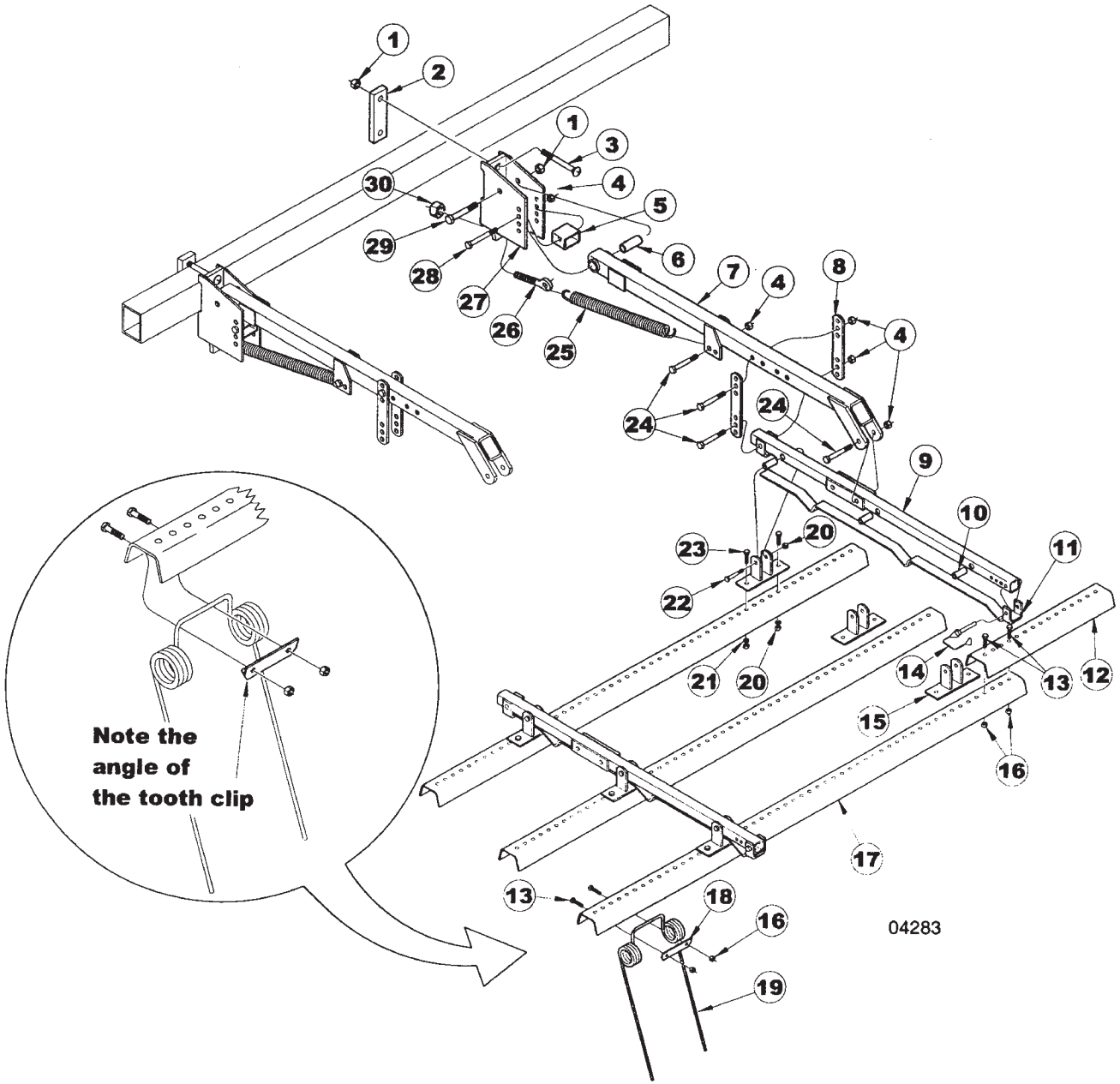
6-ROW SPIKE DRAG ASSEMBLY

ITEM	NUMBER QTY	DESCRIPTION
1	SN3306	U-BOLT, 5/8"-11 X 4 1/2" X 4 5/8" W, GR 5, Y/D
2	SN12342	ARM, SPIKE TOOTH 6 ROW
3	SN5810	WASHER, 1 5/16" OD X 11/16" ID.149" THICK, HARDENED, Y/D
4	SN669-1	LOCK NUT, 5/8" HEX NYLON INSERT, GR 5, Y/D
5	SN12341	LINK, OFFSET
6	SNFK150083	HEX BOLT, 3/8"-16 X 1 3/4" GR 5, Y/D
7	SN3567	LOCK NUT, 3/8"-16 HEX NYLON INSERT, GR 2, Y/D
8	SN3984	HEX BOLT, 3/8"-16 X 1 1/4",GR 5, Y/D
9	SN3982	CHAIN, 7/0 SIDE 10 LINKS
10	SN112	HEX BOLT, 1/2"-13 X 2 1/2", GR 5, Y/D
11	SN3985	CARRIAGE BOLT, 5/8"-11 X 3" GR 5, Y/D SPECIAL
12	SN12340R	TOOL BAR, 143"
13	SN2045	HEX BOLT, 1/2"-13 X 1 3/4", GR5, Y/D
14	SN3983	CHAIN, 5/16" PROOF, 25 LINKS
15	SN7013	U-CLIP
16	SN2096	LOCK NUT, 1/2"-13 HEX NYLON INSERT
17	SN10163	BAR BRACKET
18	SN4738	HEX BOLT, 3/8"-16 X 2 3/4", GR 5,Y/D
19	SN3976	LINK, OFFSET
20	SN10162	BUSHING,.750" OD X.500" ID, 11/16"L
21	SN1823	HEX BOLT, 1/2"-13 X 1 1/4",GR 5, Y/D
22	SN10161	TOOTH, SPIKE 3/4" ROUND
23	SN10146B	BAR, SPIKE TOOTH 5 1/4' (6 TOOTH)
	SN10152	BAR, SPIKE TOOTH 6 1/4'(7 & 9 TOOTH)
	SN12345B	BAR, SPIKE TOOTH 5 1/2' (8 TOOTH)
	SN10154	BAR, SPIKE TOOTH 9 1/4' (10 & 13 TOOTH)
	SN10155	BAR, SPIKE TOOTH 10 1/4' (11 TOOTH)
	SN10646B	BAR, SPIKE TOOTH 13 1/4' (14 TOOTH)
	SN10148B	BAR, SPIKE TOOTH 11 1/4' (12 TOOTH)
24	SN12533	BAR, SPIKE TOOTH 10' (14 TOOTH)
	SN12534	BAR, SPIKE TOOTH 10 3/4' (15 TOOTH)
	SN12344	BAR, SPIKE TOOTH 13 3/4' (19 TOOTH)
	SN12542B	BAR, SPIKE TOOTH 11 1/2' (16 TOOTH)
25	SN2097	HEX BOLT, 5/8"-11 X 5 1/2",GR 5, Y/D

I0007175
PR: t05g29n54c0002

6333 LAND FINISHER ATTACHMENTS
3-ROW COIL TINE & REEL PARTS

3-ROW COIL TINE



6333 LAND FINISHER ATTACHMENTS
3-ROW COIL TINE & REEL PARTS

13

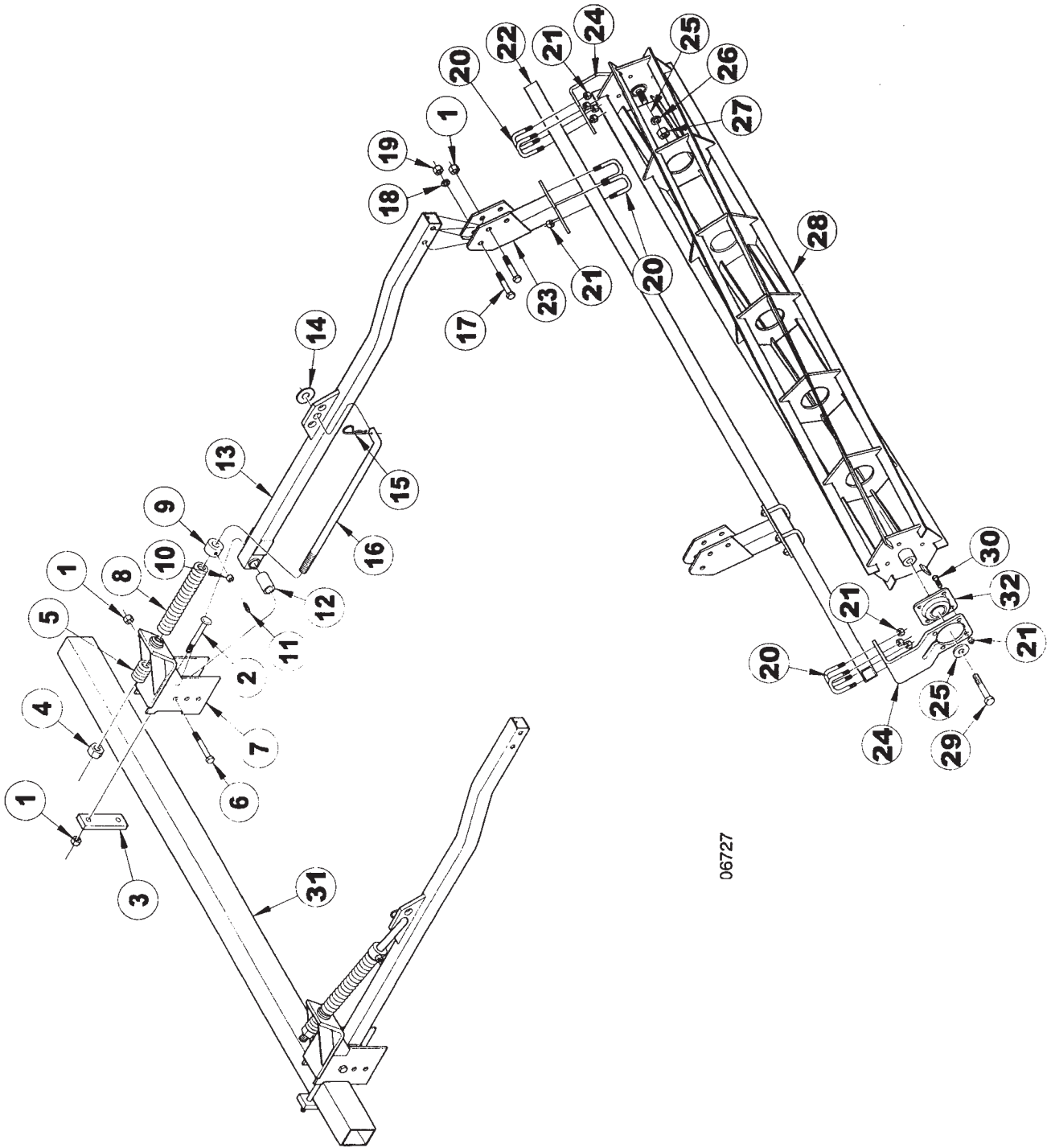
3-ROW COIL TINE

ITEM	NUMBER QTY	DESCRIPTION
1	SN669-1	LOCK NUT, 5/8" HEX NYLON
2	SN3647	CLAMP PLATE, 2 HOLE
3	SN3569	CARRIAGE BOLT, 5/8"-11 X
4	SN2096	LOCK NUT, 1/2"-13 HEX NYLON INSERT
5	SN3629	STOP
6	SN3635	PIVOT BUSHING
7	SN5890	TINE CARRIER ARM, DOUBLE, LONG
	SN5722R	TINE CARRIER ARM, DOUBLE
8	SN5727	ANGLE LINK
9	SN7908	HARROW SUBFRAME, 3 ROW (15" ROW SP)
	SN5729	HARROW SUBFRAME, 3 ROW
10	SN5730	PIVOT BUSHING
11	SN7907	TINE ANGLE ADJUSTMENT STOP (15" ROW SP)
	SN5724	TINE ANGLE ADJUSTMENT STOP
12	SN3859	HARROW CONNECTOR
13	SN175	HEX BOLT, 3/8"-16 X 1 1/2", GR 5, Z/P
14	SN3557	QUICK PIN, 3/8" DIA X 2 1/2"
15	SN5723	TINE BAR PIVOT
16	SN3567	LOCK NUT, 3/8"-16 HEX NYLON INSERT, GR 2, Z/P
17	SN3609	TINE CHANNEL, 52 1/2"
	SN3610	TINE CHANNEL, 67 1/2"
	SN3611	TINE CHANNEL, 82 1/2"
	SN3612	TINE CHANNEL, 97 1/2"
18	SN3621	TOOTH CLIP
19	SN5715	HARROW TOOTH, 3/8" DIA X 16" L
20	SN3566	LOCK NUT, 3/8"-16 HEX CENTER, GR 2, Z/P
21	SN317	FLAT WASHER, 3/8", Z/P
22	SN4738	HEX BOLT, 3/8"-16 X 2 3/4", GR 5, Z/P
23	SN178	HEX BOLT, 3/8"-16 X 1", GR 5, Z/P
24	SN1507	HEX BOLT, 1/2"-13 X 3 1/2", GR 5, Z/P
25	SN5732	SPRING, 1.40" OD X .82" ID X 16 1/4" L
26	SN5731	EYE BOLT, 3/4"-10 X 4 1/2"
27	SN5719	HARROW MOUNT, 4" FRAME, 2 1/2" W
28	SN3371	HEX BOLT, 1/2"-13 X 4", GR 5, Z/P
29	SN3065	HEX BOLT, 5/8"-11 X 4", GR 5, Z/P
30	SNHEN3410	LOCK NUT, 3/4" HEX NYLON

I0004283
PR: t05g29n54c0003

6333 LAND FINISHER ATTACHMENTS
3-ROW COIL TINE & REEL PARTS

REEL ASSEMBLY



06727

**6333 LAND FINISHER ATTACHMENTS
3-ROW COIL TINE & REEL PARTS**

15

REEL ASSEMBLY

ITEM	NUMBER	QTY	DESCRIPTION
1	SN669-1		LOCK NUT, 5/8" HEX NYLON
2	SN3569		CARRIAGE BOLT, 5/8"-11 X
3	SN3647		CLAMP PLATE, 2 HOLE
4	SN3938		LOCK NUT, 1"-8 HEX NYLON
5	SNFK361002		SPRING, 1.8125" OD X 1.062"ID,2 5/8" L
6	SN3065		HEX BOLT, 5/8"-11 X 4", GR 5, Z/P
7	SN5737		MOUNTING BRACKET, REEL
8	SNFK361003		ADJUSTING ROD SPRING-LOWER
9	SNFK351023		LOCK COLLAR, ADJUSTING ROD
10	SN159		JAM NUT, 1/2"-13, GR 2, Z/P
11	SN2078		SET SCREW, 1/2" X 1" SQUARE HEAD, Z/P
12	SN3635		PIVOT BUSHING
13	SN5736		REEL CARRIER ARM
14	SNFK150173		FLAT WASHER, 1" SAE, Z/P
15	SN71L-2901		PIN CLIP, 3/4"-7/8" SHAFT,.148" DIA, 3 1/8" L
16	SNFK501164		ROD, HARROW ADJ.
17	SN1723		HEX BOLT, 5/8"-11 X 3 1/2", GR 5, Z/P
18	SN668		LOCK WASHER, 5/8" SPLIT TYPE MED, Z/P
19	SN669		HEX NUT, 5/8" FULL, GR 5, Z/P
20	SN3619		U-BOLT, 1/2"-13 X 3 5/8" X 3" W, GR 5, Z/P
21	SN2096		LOCK NUT, 1/2"-13 HEX NYLON INSERT
22	SN3643		GANG BAR, 60"
	SN3644		GANG BAR, 75"
	SN3645		GANG BAR, 90"
	SN3646		GANG BAR, 105"
23	SN5738		REEL FOLD ARM
24	SN9917		BEARING STANDARD
25	SN3613		FLAT WASHER, 7/8" ID X 2 1/8" OD X 1/4" THICK, Z/P
26	SN1040		LOCK WASHER, 3/4" SPLIT TYPE MED, Z/P
27	SN106		HEX NUT, 3/4"-10 FULL, GR 5, Z/P
28	SN10057		REEL, 41 1/4"
	SN10059B		REEL, 56 1/4"
	SN10060		L, 63 3/4"
	SN10061		REEL, 71 1/4"
29	SN1599		HEX BOLT, 3/4"-10 X 4", GR 5, Y/D
30	SN194		HEX BOLT, 1/2"-13 X 1 1/2",GR 5, Y/D,USA
31	SN5576		TOOL BAR, 82 1/2"
	SN12567R		TOOL BAR, 90 1/2"
	SN5633		TOOL BAR, 120"
	SN12532		TOOL BAR, 115"
32	SN3215		FLANGETTE BEARING, 1 3/4" BORE
33	SN670		HEX BOLT, 5/8"-11 X 2", GR 5, Y/D
34	SN5887		MOUNTING BRACKET, REEL
35	SN2089		FLAT WASHER, 5/8", Y/D
36	SN3306		U-BOLT, 5/8"-11 X 4 1/2" X 4 5/8" W, GR 5, Y/D

I0006727
PR: t05g29n54c0004

6333 LAND FINISHER ATTACHMENTS
3-ROW COIL TINE & REEL PARTS

17

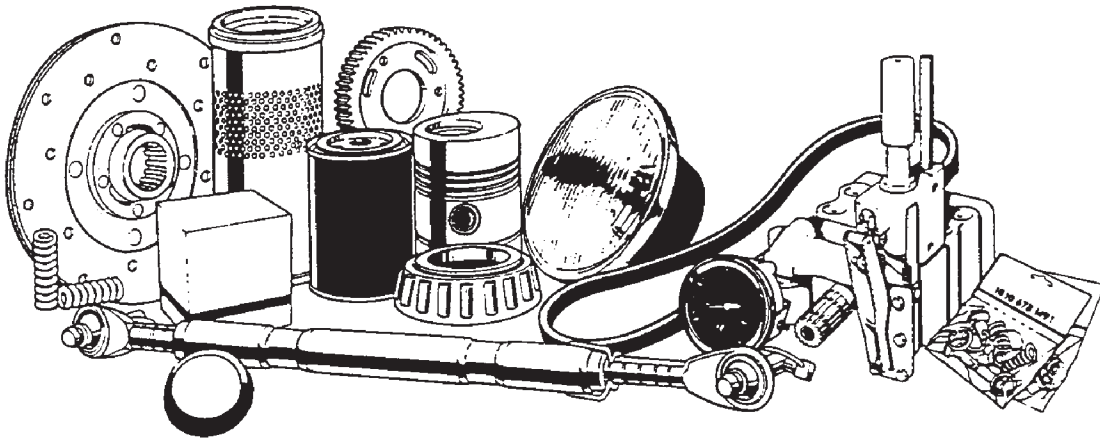
REAR JACK ASSEMBLY

ITEM	NUMBER	QTY	DESCRIPTION
1	SN9777		LONG TONGUE JACK, SQ W/TUBE MOUNT
2	SN3371		HEX BOLT, 1/2"-13 X 4", GR 5, Z/P
3	SN2096		LOCK NUT, 1/2"-13 HEX NYLON INSERT
4	SN3355		JACK BRACKET
5	SN3354		JACK TUBE
6	SN2094		PIN, 3/4" X 4 1/2" (4"), Z/P
7	SN2867		PIN CLIP, 1/2"-5/8" SHAFT, .120" DIA, 2" L
8	SN3353		JACK ADAPTER PLATE
9	SN3306		U-BOLT, 5/8"-11 X 4 1/2" X 4 5/8" W, GR 5, Z/P
10	SN669-1		LOCK NUT, 5/8" HEX NYLON INSERT, GR 5, Z/P
	SN3352		REAR JACK MOUNT ASSEMBLY, LESS U-BOLTS & JACK (ITEMS 2-8)

I0003248
PR: t05g29n54c0005

RECOMMENDED DEALER STOCK

RECOMMENDED DEALER'S STOCK



**6333 LAND FINISHER ATTACHMENTS
RECOMMENDED DEALER LIST**

19

RECOMMENDED DEALER STOCK

ITEM	NUMBER	QTY	DESCRIPTION
-	SNFK361003	2	ADJUSTING ROD SPRING-LOWER
-	SN10162	2	BUSHING,.750" OD X.500" ID, 11/16"L
-	SN5731	2	EYE BOLT, 3/4"-10 X 4 1/2"
-	SN3215	2	FLANGETTE BEARING, 1 3/4" BORE
-	SN5715	8	HARROW TOOTH, 3/8" DIA X 16" L
-	SN12341	2	LINK, OFFSET
-	SN3976	2	LINK, OFFSET
-	SN3635	2	PIVOT BUSHING
-	SN3895B	5	SPIKE TOOTH, 3/4" X 11"
-	SN3335	2	SPRING
-	SN5732	2	SPRING, 1.40" OD X .82" ID X 16 1/4" L
-	SNFK361002	2	SPRING, 1.8125" OD X 1.062"ID,2 5/8" L
-	SN3621	8	TOOTH CLIP
-	SN10161	8	TOOTH, SPIKE 3/4" ROUND
-	SN3894	5	TRI-BEND BOLT, 3/8"-16 X 1 1/2", Y/D
-	SN3619	1	U-BOLT, 1/2"-13 X 3 5/8" X 3" W, GR 5,
-	SN3306	1	U-BOLT, 5/8"-11 X 4 1/2" X 4 5/8" W,
-	SN2815	1	U-BOLT, 5/8"-11 X 4 1/2" X 5 11/16"W,
-	SN7013	1	U-CLIP

NOTE: THIS PARTS STOCK LIST
INDICATES THOSE ITEMS RECOMMENDED
TO SERVICE ONE UNIT.

RDL
PR: t05g29n54c0006

CULTIVATORS/PACKERS

PARTS CATALOG

**SUNFLOWER®
6433 SPLIT WING LAND FINISHER**

RECOMMENDED DEALER LIST

RECOMMENDED DEALER STOCK 71

SERVICE PARTS

CENTER FRAME ASSEMBLY 7
 CENTER LIFT ASSEMBLY 15
 DECAL PLACEMENT 67
 DISC GANG ASSEMBLY 47
 DISC GANG REEL ASSEMBLY 59
 EIGHT BOLT HUB & SPINDLE ASSEMBLY W/WHEEL & TIRES 21
 FOLD HYDRAULICS 33
 HYDRAULIC DISC GANG ASSEMBLY 45
 HYDRAULIC DISC GANG HYDRAULICS ASSEMBLY 51
 INNER WING FRAME 9
 LEVELER TUBE ASSEMBLY 23
 LIFT HYDRAULICS 27
 LIGHT KIT ASSEMBLY 61
 OPTIONAL REAR TOW HITCH HYDRAULICS 65
 OPTIONAL REAR TOW HITCH W/HITCH SLIDE & BALL JOINT 63
 OUTER WING FRAME 11
 S-TINE SHANK ASSEMBLY (2 PIECE) 41
 SAFETY SIGN PLACEMENT 69
 SCRAPER ASSEMBLY 49
 SIX BOLT HUB & SPINDLE ASSEMBLY W/WHEEL & TIRES 19
 SPRING SHANK ASSEMBLY 39
 STANDARD GANG BAR MOUNT ASSEMBLY 43
 STROKE CONTROL TUBE 25
 TONGUE ASSEMBLY 13
 WING LIFT ASSEMBLY 17
 3 1/2" X 24" HYDRAULIC CYLINDER 12020R 37
 3 1/2" X 8" HYDRAULIC CYLINDER 12061R 57
 3 3/4" X 10" HYDRAULIC CYLINDER 10815R 31
 3 3/4" X 8" HYDRAULIC CYLINDER 12059R 53
 4" X 10" HYDRAULIC CYLINDER 10814R 29
 4" X 30" HYDRAULIC CYLINDER 10812R 35
 4" X 8" HYDRAULIC CYLINDER 12047R 55

6433 SPLIT WING LAND FINISHER

3
INDEX

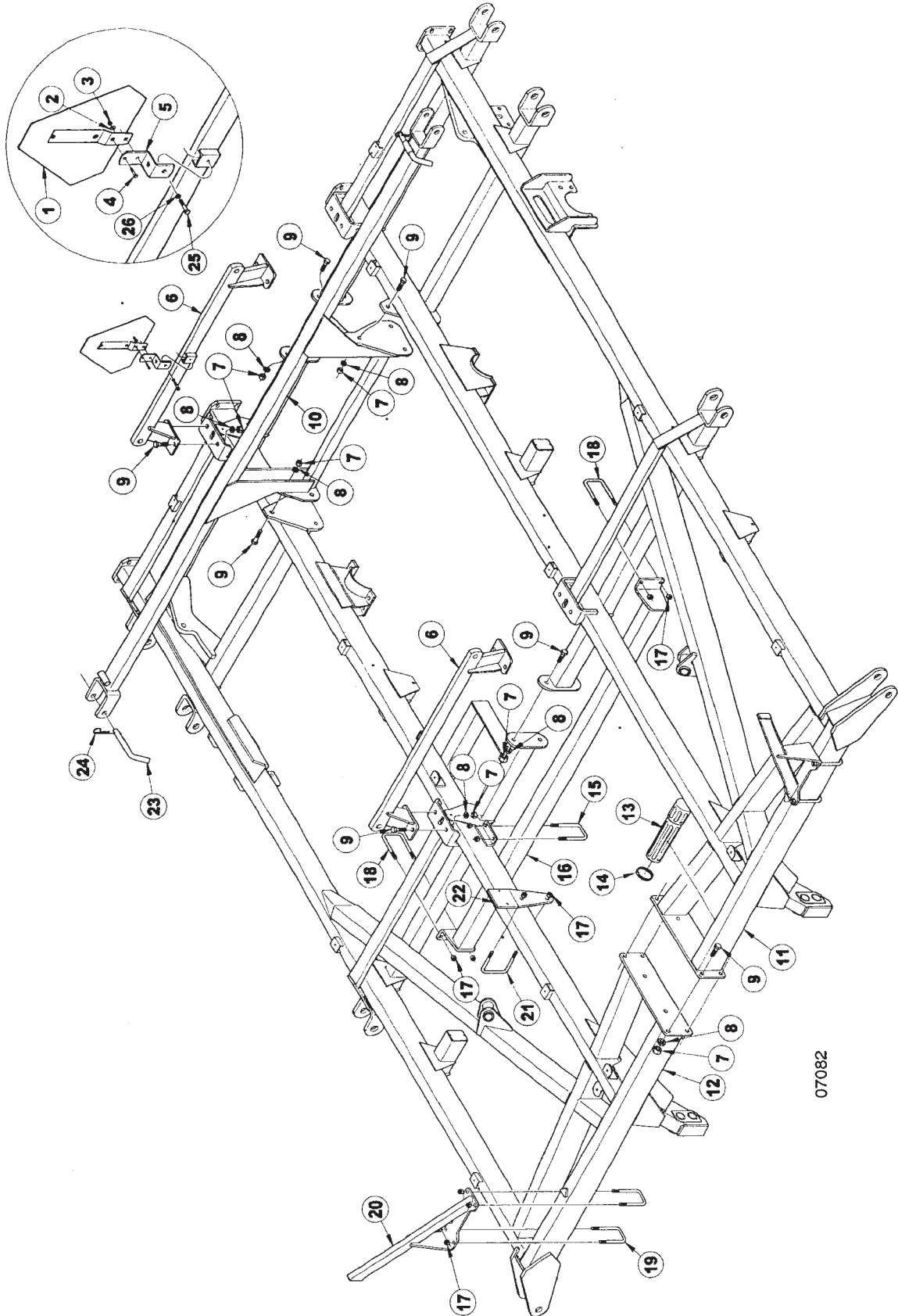
Part No.	Page	Grid	Part No.	Page	Grid	Part No.	Page	Grid	Part No.	Page	Grid
SNCS516312	33	1-B 9	SN10740	65	1-B 12	SN12277R	11	1-B 7	SN176	7	1-B 6
SNFK150144	13	1-B 7	SN10741	65	1-B 12	SN12278R	7	1-B 6	SN176	33	1-B 9
SNFK150144	23	1-B 8	SN10742	65	1-B 12	SN12279R	17	1-B 7	SN176	51	1-B 11
SNFK150157	13	1-B 7	SN108	13	1-B 7	SN12280R	23	1-B 8	SN1813	45	1-B 10
SNFK150157	23	1-B 8	SN108	47	1-B 10	SN12281R	13	1-B 7	SN1817	25	1-B 8
SNFK150172	13	1-B 7	SN10812	33	1-B 9	SN12282R	11	1-B 7	SN1823	65	1-B 12
SNFK150172	23	1-B 8	SN10814	27	1-B 8	SN12283R	9	1-B 6	SN1849	13	1-B 7
SNFK150283	45	1-B 10	SN10815	27	1-B 8	SN12284R	25	1-B 8	SN1849	23	1-B 8
SNFK310062	21	1-B 8	SN10820	39	1-B 9	SN12285	17	1-B 7	SN1849	43	1-B 10
SNFK310062	71	1-B 13	SN10837	27	1-B 8	SN12286R	7	1-B 6	SN1849	45	1-B 10
SNFK310063	21	1-B 8	SN109	13	1-B 7	SN12287R	7	1-B 6	SN1875	23	1-B 8
SNFK310063	71	1-B 13	SN113	21	1-B 8	SN12288R	7	1-B 6	SN1880	23	1-B 8
SNFK310064	21	1-B 8	SN114	21	1-B 8	SN12289R	25	1-B 8	SN1935	19	1-B 7
SNFK310064	71	1-B 13	SN12015	37	1-B 9	SN12290R	25	1-B 8	SN1935	21	1-B 8
SNFK340162	21	1-B 8	SN12015	71	1-B 13	SN12291	13	1-B 7	SN1935	71	1-B 13
SNFK340162	71	1-B 13	SN12016	37	1-B 9	SN12292	13	1-B 7	SN1936	19	1-B 7
SNFK340163	21	1-B 8	SN12017	37	1-B 9	SN12293R	13	1-B 7	SN1936	21	1-B 8
SNFK340165	21	1-B 8	SN12018	37	1-B 9	SN12294R	11	1-B 7	SN1936	71	1-B 13
SNFK340165	71	1-B 13	SN12019	37	1-B 9	SN12295R	25	1-B 8	SN1937	19	1-B 7
SNFK340167	21	1-B 8	SN12020	33	1-B 9	SN12296R	7	1-B 6	SN1937	71	1-B 13
SNFK340167	71	1-B 13	SN12033	53	1-B 11	SN12297	61	1-B 12	SN194	47	1-B 10
SNFK340168	21	1-B 8	SN12033	55	1-B 11	SN12298R	7	1-B 6	SN194	59	1-B 11
SNFK340168	71	1-B 13	SN12047	51	1-B 11	SN12299R	7	1-B 6	SN1944	19	1-B 7
SNFK350402	13	1-B 7	SN12055	53	1-B 11	SN12301R	15	1-B 7	SN1978	11	1-B 7
SNFK361002	59	1-B 11	SN12055	55	1-B 11	SN12302R	17	1-B 7	SN1978	17	1-B 7
SNFK361002	71	1-B 13	SN12059	51	1-B 11	SN12303R	17	1-B 7	SN1978	45	1-B 10
SNFK800384	21	1-B 8	SN12061	51	1-B 11	SN12304R	7	1-B 6	SN198	63	1-B 12
SNFK800384	71	1-B 13	SN12062	57	1-B 11	SN12305	11	1-B 7	SN198	71	1-B 13
SNHEN3410	59	1-B 11	SN12063	57	1-B 11	SN12306R	9	1-B 6	SN2036	47	1-B 10
SNRT015003	25	1-B 8	SN12064	57	1-B 11	SN12307R	9	1-B 6	SN2037	47	1-B 10
SNYYC-186	13	1-B 7	SN1220	7	1-B 6	SN12308R	11	1-B 7	SN2088	13	1-B 7
SNZK142890	45	1-B 10	SN1220	9	1-B 6	SN12309R	11	1-B 7	SN2096	25	1-B 8
SN10007	61	1-B 12	SN1220	11	1-B 7	SN12315R	13	1-B 7	SN2097	39	1-B 9
SN10012	13	1-B 7	SN1220	15	1-B 7	SN12328	45	1-B 10	SN2098-1	23	1-B 8
SN10012	61	1-B 12	SN1220	17	1-B 7	SN12329	45	1-B 10	SN2098-5	15	1-B 7
SN10012	71	1-B 13	SN1220	45	1-B 10	SN12330R	45	1-B 10	SN2098-6	19	1-B 7
SN10057	59	1-B 11	SN1220	63	1-B 12	SN12338	61	1-B 12	SN2132	47	1-B 10
SN10058	59	1-B 11	SN12231	39	1-B 9	SN12339R	61	1-B 12	SN2339	13	1-B 7
SN10059B	59	1-B 11	SN12231	71	1-B 13	SN12347	45	1-B 10	SN2425	33	1-B 9
SN10061	59	1-B 11	SN12246R	43	1-B 10	SN12349	25	1-B 8	SN2425	51	1-B 11
SN10062	7	1-B 6	SN12246R	45	1-B 10	SN12375	41	1-B 10	SN2425	65	1-B 12
SN1021	59	1-B 11	SN12247R	43	1-B 10	SN1243	25	1-B 8	SN2426	27	1-B 8
SN1036	7	1-B 6	SN12247R	45	1-B 10	SN12481R	61	1-B 12	SN2429	33	1-B 9
SN10394	61	1-B 12	SN12248R	43	1-B 10	SN12482R	61	1-B 12	SN2429	51	1-B 11
SN10394	71	1-B 13	SN12248R	45	1-B 10	SN12609R	65	1-B 12	SN245	9	1-B 6
SN1040	7	1-B 6	SN12249R	43	1-B 10	SN12610R	63	1-B 12	SN245	11	1-B 7
SN1040	9	1-B 6	SN12249R	45	1-B 10	SN12611R	63	1-B 12	SN245	15	1-B 7
SN1040	11	1-B 7	SN12250R	43	1-B 10	SN12614R	63	1-B 12	SN245	17	1-B 7
SN1040	15	1-B 7	SN12250R	45	1-B 10	SN12615R	63	1-B 12	SN245	33	1-B 9
SN1040	17	1-B 7	SN12251R	43	1-B 10	SN1283	13	1-B 7	SN245	43	1-B 10
SN1040	45	1-B 10	SN12251R	45	1-B 10	SN1283	23	1-B 8	SN2487	27	1-B 8
SN1040	47	1-B 10	SN12252R	43	1-B 10	SN140	21	1-B 8	SN2487	33	1-B 9
SN1040	59	1-B 11	SN12252R	45	1-B 10	SN140	25	1-B 8	SN2487	51	1-B 11
SN1040	63	1-B 12	SN12256	39	1-B 9	SN140	59	1-B 11	SN2528-1	47	1-B 10
SN10445	61	1-B 12	SN12257	41	1-B 10	SN155	17	1-B 7	SN2558	43	1-B 10
SN10460	61	1-B 12	SN12257	71	1-B 13	SN155	43	1-B 10	SN2558	45	1-B 10
SN10460	71	1-B 13	SN12258R	43	1-B 10	SN155	45	1-B 10	SN2563	47	1-B 10
SN10461	61	1-B 12	SN12258R	45	1-B 10	SN156	39	1-B 9	SN2563	71	1-B 13
SN10461	71	1-B 13	SN12259R	43	1-B 10	SN1599	59	1-B 11	SN2568	7	1-B 6
SN10486	61	1-B 12	SN12259R	45	1-B 10	SN1605	19	1-B 7	SN2568	13	1-B 7
SN10486	71	1-B 13	SN12260R	59	1-B 11	SN1605	71	1-B 13	SN2568	61	1-B 12
SN105	63	1-B 12	SN12261R	45	1-B 10	SN1606	19	1-B 7	SN2568	63	1-B 12
SN106	7	1-B 6	SN12262R	45	1-B 10	SN1606	71	1-B 13	SN2570	43	1-B 10
SN106	9	1-B 6	SN12263R	45	1-B 10	SN1609	13	1-B 7	SN2570	45	1-B 10
SN106	11	1-B 7	SN12264R	45	1-B 10	SN1609	21	1-B 8	SN2585	19	1-B 7
SN106	15	1-B 7	SN12265R	45	1-B 10	SN1609	43	1-B 10	SN2587	33	1-B 9
SN106	17	1-B 7	SN12266	45	1-B 10	SN1609	45	1-B 10	SN2587	61	1-B 12
SN106	45	1-B 10	SN12267R	13	1-B 7	SN1609	63	1-B 12	SN2587	65	1-B 12
SN106	47	1-B 10	SN12268	9	1-B 6	SN1610	19	1-B 7	SN2723B	47	1-B 10
SN106	59	1-B 11	SN12271R	17	1-B 7	SN1610	71	1-B 13	SN2750	61	1-B 12
SN106	63	1-B 12	SN12272	11	1-B 7	SN173	65	1-B 12	SN2755	23	1-B 8
SN10603	39	1-B 9	SN12273R	11	1-B 7	SN175	7	1-B 6	SN2815	11	1-B 7
SN10604	39	1-B 9	SN12274R	23	1-B 8	SN175	33	1-B 9	SN2815	59	1-B 11
SN10738	65	1-B 12	SN12275R	23	1-B 8	SN175	51	1-B 11	SN2815	63	1-B 12
SN10739	65	1-B 12	SN12276R	17	1-B 7	SN175	65	1-B 12	SN2816	47	1-B 10

INDEX

Part No.	Page	Grid	Part No.	Page	Grid	Part No.	Page	Grid	Part No.	Page	Grid
SN2866	47	1-B 10	SN3306	63	1-B 12	SN4098002	33	1-B 9	SN5558	47	1-B 10
SN2992	15	1-B 7	SN3330	17	1-B 7	SN4102002	51	1-B 11	SN5578	21	1-B 8
SN2992	17	1-B 7	SN3331	17	1-B 7	SN4109002	51	1-B 11	SN5579	21	1-B 8
SN3004	47	1-B 10	SN3333	43	1-B 10	SN4113002	33	1-B 9	SN5603	21	1-B 8
SN302	19	1-B 7	SN3333	45	1-B 10	SN4118002	33	1-B 9	SN5605	11	1-B 7
SN302	39	1-B 9	SN3334	43	1-B 10	SN4132002	33	1-B 9	SN5613	13	1-B 7
SN302	41	1-B 10	SN3335	43	1-B 10	SN4176002	51	1-B 11	SN5621	21	1-B 8
SN303	19	1-B 7	SN3335	45	1-B 10	SN4210005	27	1-B 8	SN5622	15	1-B 7
SN303	39	1-B 9	SN3335	71	1-B 13	SN4215002	51	1-B 11	SN5711	39	1-B 9
SN303	41	1-B 10	SN3336	43	1-B 10	SN4232002	33	1-B 9	SN5810	39	1-B 9
SN3041	39	1-B 9	SN3337	43	1-B 10	SN4236005	27	1-B 8	SN5810	63	1-B 12
SN3042	39	1-B 9	SN3356	7	1-B 6	SN4260002	51	1-B 11	SN5942	45	1-B 10
SN3043	39	1-B 9	SN3363	63	1-B 12	SN4279005	27	1-B 8	SN6378	25	1-B 8
SN3044B	39	1-B 9	SN3364	63	1-B 12	SN4348005	27	1-B 8	SN6378	33	1-B 9
SN3044B	71	1-B 13	SN3365	63	1-B 12	SN4454	27	1-B 8	SN6380	33	1-B 9
SN3048	39	1-B 9	SN3365	71	1-B 13	SN4454	33	1-B 9	SN640188O	27	1-B 8
SN3048	41	1-B 10	SN3366	63	1-B 12	SN4455	33	1-B 9	SN6575	13	1-B 7
SN3048	71	1-B 13	SN3366	71	1-B 13	SN4455	51	1-B 11	SN6642	39	1-B 9
SN305	39	1-B 9	SN3367	63	1-B 12	SN4457	27	1-B 8	SN669-1	7	1-B 6
SN305	41	1-B 10	SN3370	43	1-B 10	SN4458	27	1-B 8	SN669-1	11	1-B 7
SN3050	39	1-B 9	SN3370	45	1-B 10	SN4458	29	1-B 8	SN669-1	25	1-B 8
SN3050	41	1-B 10	SN3371	25	1-B 8	SN4458	31	1-B 9	SN669-1	39	1-B 9
SN3061	15	1-B 7	SN3451	51	1-B 11	SN4458	35	1-B 9	SN669-1	41	1-B 10
SN3061	17	1-B 7	SN3565	33	1-B 9	SN4458	37	1-B 9	SN669-1	43	1-B 10
SN3061	71	1-B 13	SN3565	51	1-B 11	SN4458	53	1-B 11	SN669-1	45	1-B 10
SN3062	15	1-B 7	SN3567	13	1-B 7	SN4458	55	1-B 11	SN669-1	59	1-B 11
SN3062	17	1-B 7	SN3567	27	1-B 8	SN4458	57	1-B 11	SN669-1	61	1-B 12
SN3062	71	1-B 13	SN3567	33	1-B 9	SN4460	27	1-B 8	SN669-1	63	1-B 12
SN3063	15	1-B 7	SN3577	19	1-B 7	SN4462	27	1-B 8	SN670	11	1-B 7
SN3063	17	1-B 7	SN3577	21	1-B 8	SN4463	33	1-B 9	SN670	45	1-B 10
SN3063	71	1-B 13	SN3582	19	1-B 7	SN4464	27	1-B 8	SN670	61	1-B 12
SN3066	15	1-B 7	SN3588	19	1-B 7	SN4473	33	1-B 9	SN6879	13	1-B 7
SN3066	17	1-B 7	SN3613	59	1-B 11	SN4474	33	1-B 9	SN6923R	13	1-B 7
SN3066	19	1-B 7	SN3619	59	1-B 11	SN4482	33	1-B 9	SN6930	25	1-B 8
SN3107	47	1-B 10	SN3643	59	1-B 11	SN4484	27	1-B 8	SN6934	33	1-B 9
SN3117	19	1-B 7	SN3644	59	1-B 11	SN4500002	65	1-B 12	SN7001	7	1-B 6
SN3117	71	1-B 13	SN3655	7	1-B 6	SN4623	45	1-B 10	SN7001	63	1-B 12
SN3118	19	1-B 7	SN3655	71	1-B 13	SN4661N	47	1-B 10	SN7001	71	1-B 13
SN3118	71	1-B 13	SN3669	15	1-B 7	SN4662N	47	1-B 10	SN7048	59	1-B 11
SN3161	45	1-B 10	SN3750	7	1-B 6	SN4732	25	1-B 8	SN7048	71	1-B 13
SN3164	11	1-B 7	SN3757	39	1-B 9	SN4740	63	1-B 12	SN7049	59	1-B 11
SN3164	27	1-B 8	SN3765	7	1-B 6	SN4753	13	1-B 7	SN7051	59	1-B 11
SN3164	33	1-B 9	SN3790	39	1-B 9	SN4753	23	1-B 8	SN7052	59	1-B 11
SN3164	45	1-B 10	SN3880	45	1-B 10	SN4781	13	1-B 7	SN7053	7	1-B 6
SN3164	51	1-B 11	SN3881	7	1-B 6	SN486	25	1-B 8	SN7053	25	1-B 8
SN3164	59	1-B 11	SN3881	13	1-B 7	SN486	61	1-B 12	SN7053	59	1-B 11
SN3195	49	1-B 10	SN3881	25	1-B 8	SN4886	47	1-B 10	SN7053	63	1-B 12
SN3196	49	1-B 10	SN3881	45	1-B 10	SN4886	71	1-B 13	SN7325	15	1-B 7
SN3199	43	1-B 10	SN3881	61	1-B 12	SN4944	25	1-B 8	SN7325	17	1-B 7
SN3199	45	1-B 10	SN3881	63	1-B 12	SN506	7	1-B 6	SN7329	15	1-B 7
SN3199	49	1-B 10	SN3938	9	1-B 6	SN506	13	1-B 7	SN7453	41	1-B 10
SN3207	43	1-B 10	SN3938	11	1-B 7	SN506	61	1-B 12	SN7453	71	1-B 13
SN3207	45	1-B 10	SN3938	13	1-B 7	SN506	63	1-B 12	SN7469	45	1-B 10
SN3208	43	1-B 10	SN3938	17	1-B 7	SN5251	33	1-B 9	SN7528B	41	1-B 10
SN3208	45	1-B 10	SN3938	43	1-B 10	SN5252	33	1-B 9	SN7530	41	1-B 10
SN3215	47	1-B 10	SN3938	45	1-B 10	SN5302	27	1-B 8	SN7585	59	1-B 11
SN3215	59	1-B 11	SN3942	47	1-B 10	SN5302	33	1-B 9	SN7785R	9	1-B 6
SN3215	71	1-B 13	SN3945	47	1-B 10	SN5302	51	1-B 11	SN7870	15	1-B 7
SN3253	27	1-B 8	SN3949	39	1-B 9	SN5302	65	1-B 12	SN7905	27	1-B 8
SN3253	33	1-B 9	SN4018002	33	1-B 9	SN5339	27	1-B 8	SN7905	71	1-B 13
SN3253	51	1-B 11	SN4020005	27	1-B 8	SN5339	33	1-B 9	SN7999	23	1-B 8
SN3253	65	1-B 12	SN4021002	33	1-B 9	SN5339	51	1-B 11	SN8273-1	35	1-B 9
SN3283N	47	1-B 10	SN4023002	33	1-B 9	SN5342	11	1-B 7	SN8602-1	35	1-B 9
SN329	41	1-B 10	SN4026002	33	1-B 9	SN5467	49	1-B 10	SN8610-1	29	1-B 8
SN3298	19	1-B 7	SN4036002	51	1-B 11	SN5467	71	1-B 13	SN8610-1	31	1-B 9
SN3300	19	1-B 7	SN4038002	33	1-B 9	SN5468	49	1-B 10	SN8610-1	53	1-B 11
SN3300	71	1-B 13	SN4038005	27	1-B 8	SN5468	71	1-B 13	SN8610-1	55	1-B 11
SN3301	19	1-B 7	SN4049002	33	1-B 9	SN5476	45	1-B 10	SN8610-1	57	1-B 11
SN3301	71	1-B 13	SN4050005	27	1-B 8	SN5487	45	1-B 10	SN8612-1	35	1-B 9
SN3302	19	1-B 7	SN4051002	33	1-B 9	SN5488	49	1-B 10	SN8612-1	71	1-B 13
SN3302	21	1-B 8	SN4072002	33	1-B 9	SN5488	71	1-B 13	SN8616-1	35	1-B 9
SN3302	71	1-B 13	SN4076002	33	1-B 9	SN5489	49	1-B 10	SN8616-1	37	1-B 9
SN3303	19	1-B 7	SN4079002	33	1-B 9	SN5489	71	1-B 13	SN8631-1	29	1-B 8
SN3303	71	1-B 13	SN4081005	27	1-B 8	SN5530	23	1-B 8	SN8631-1	31	1-B 9
SN3306	7	1-B 6	SN4086002	51	1-B 11	SN5539	47	1-B 10	SN8631-1	35	1-B 9

6433 SPLIT WING LAND FINISHER
SERVICE PARTS

CENTER FRAME ASSEMBLY



07082

**6433 SPLIT WING LAND FINISHER
SERVICE PARTS**

7

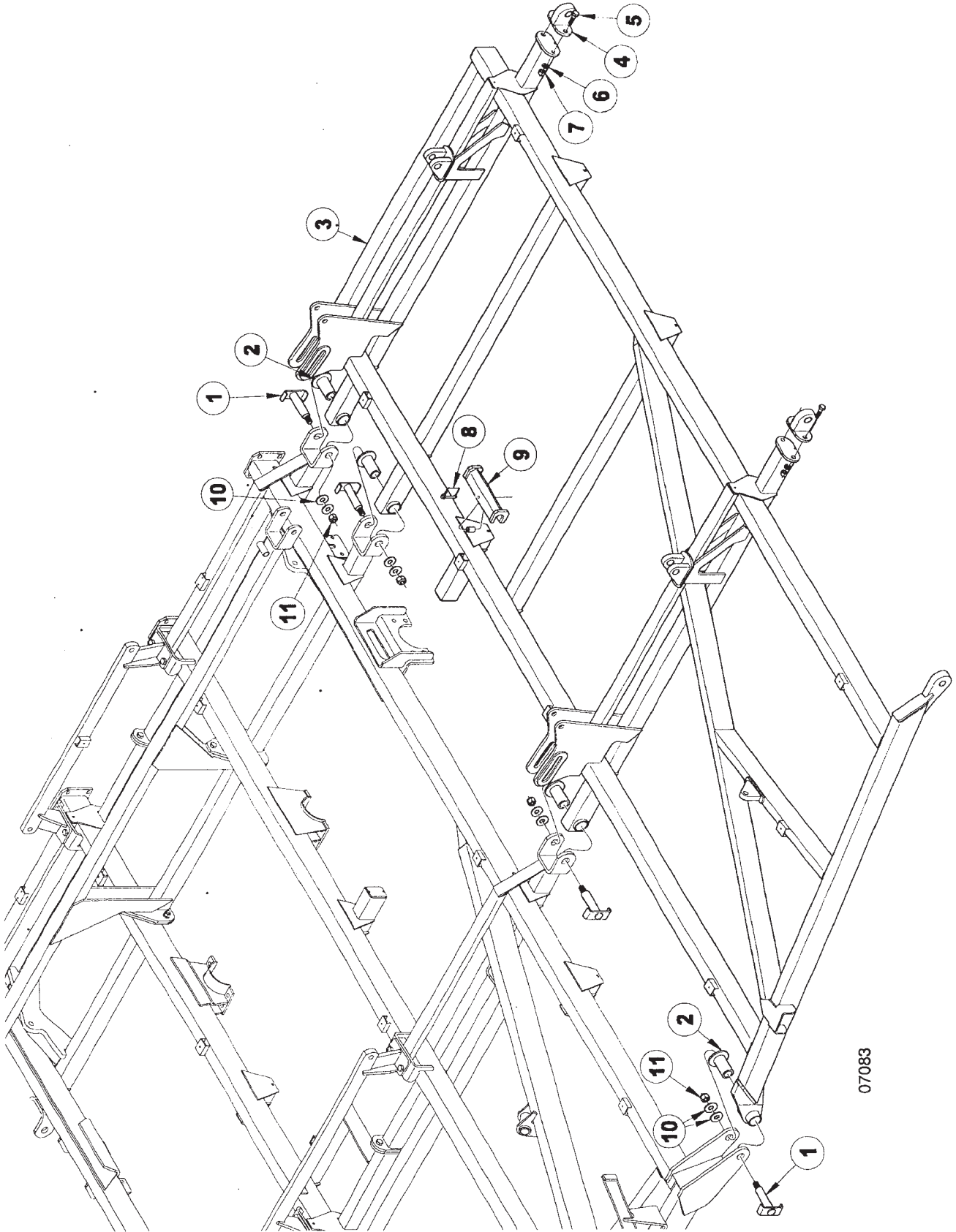
CENTER FRAME ASSEMBLY

ITEM	NUMBER	QTY	DESCRIPTION
1	SN7001		SMV EMBLEM
2	SN506		FLAT WASHER, 1/4", Y/D
3	SN3881		LOCK NUT, 1/4"-20 HEX NYLON INSERT, GR 2, Y/D
4	SN2568		HEX BOLT, 1/4"-20 X 3/4", GR 5 Y/D
5	SN12288R		MOUNT, SMV
6	SN12287R		ANCHOR, FOLD
7	SN106		HEX NUT, 3/4"-10 FULL, GR 5, Y/D
8	SN1040		LOCK WASHER,3/4" SPLIT TYPE MED,Y/D
9	SN1220		HEX BOLT, 3/4"-10 X 2", GR 5 Y/D
10	SN12296R		WING STABILIZER
11	SN12299R		FRAME, CENTER LEFT
12	SN12298R		FRAME, CENTER RIGHT
13	SN3750		OPERATOR'S MANUAL TUBE
14	SN3765		HOSE CLAMP, 3 1/2"
15	SN3356		U-BOLT, 5/8"-11 X 5 1/2" X 3 3/4" W, GR 5, Y/D
16	SN12286R		TUBE, SHANK
17	SN669-1		LOCK NUT, 5/8" HEX NYLON INSERT, GR 5, Y/D
18	SN3306		U-BOLT, 5/8"-11 X 4 1/2" X 4 5/8" W, GR 5, Y/D
19	SN3655		U-BOLT, 5/8"-11 X 7 1/2" X 3 3/4" W, GR 5, Y/D
20	SN12278R		WING STABILIZER
21	SN7053		U-BOLT, 5/8"-11 X 4 1/2" X 6 11/16"W,Y/D
22	SN12304R		PLATE, MOUNTING
23	SN10062		PIN, 1" X 10 3/4" (5 5/8") Y/D
24	SN1036		PIN CLIP, 7/8"-1" SHAFT,.178" DIA, 3 3/4" L
25	SN175		HEX BOLT, 3/8"-16 X 1 1/2",GR 5, Y/D
26	SN176		LOCK WASHER,3/8" SPLIT TYPE MED,Y/D

I0007082
PR: t05g29h00b0001

6433 SPLIT WING LAND FINISHER
SERVICE PARTS

INNER WING FRAME



07083

6433 SPLIT WING LAND FINISHER
SERVICE PARTS

9

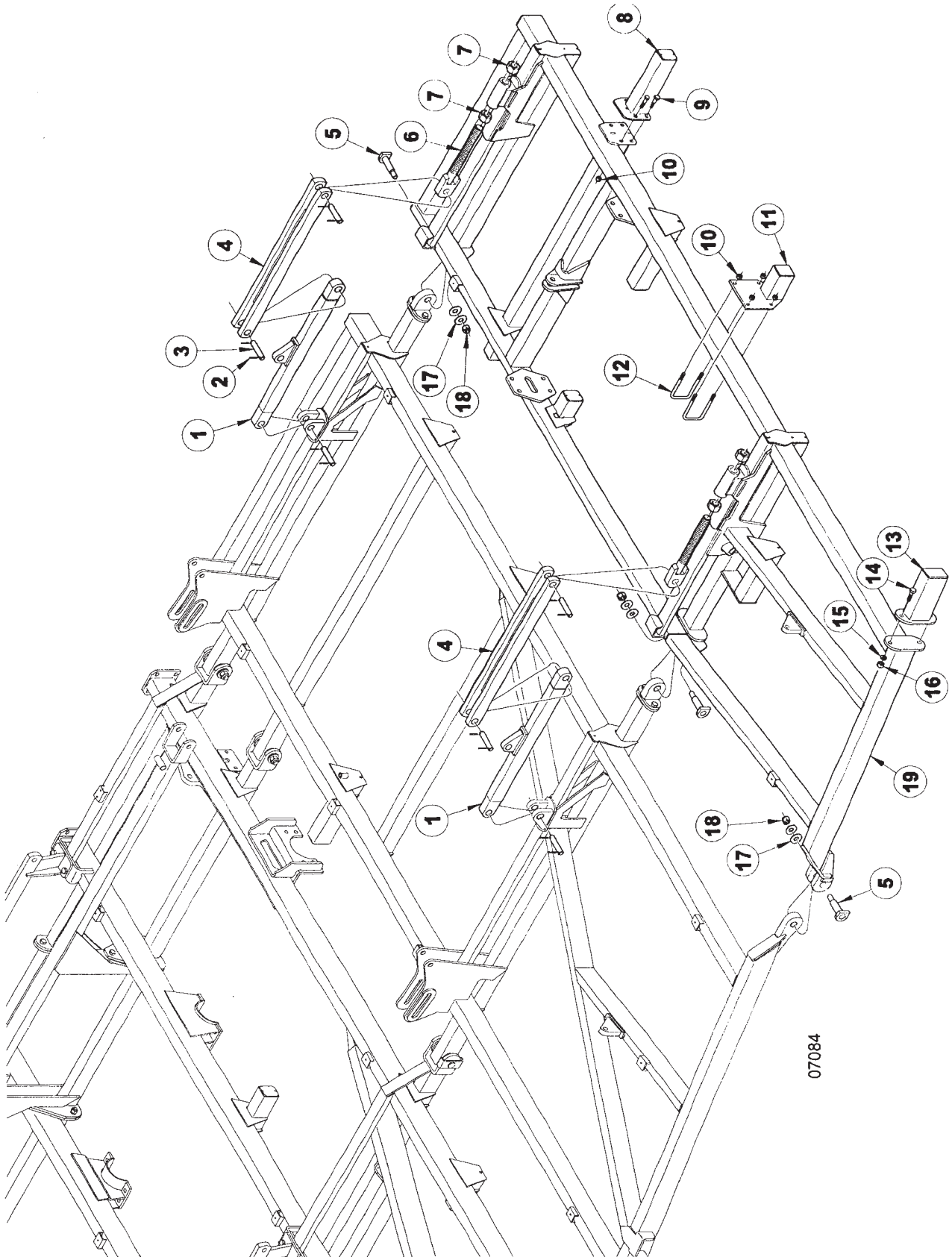
INNER WING FRAME

ITEM	NUMBER	QTY	DESCRIPTION
1	SN9233		HINGE BOLT, 1 1/2" SHAFT 1"-8 X 7 1/2", Y/D
2	SN9251		BUSHING, UHMW HINGE, 4 3/8" L
3	SN12307R		FRAME, WING LEFT INNER (SHOWN)
	SN12306R		FRAME, WING RIGHT INNER
4	SN12283R		HINGE, BOLT ON
5	SN1220		HEX BOLT, 3/4"-10 X 2", GR 5 Y/D
6	SN1040		LOCK WASHER, 3/4" SPLIT TYPE MED, Y/D
7	SN106		HEX NUT, 3/4"-10 FULL, GR 5, Y/D
8	SN12268		PIN, WIRE LOCK 3/8" X 2 1/2", Y/D
9	SN7785R		TRANSPORT LOCK
10	SN245		FLAT WASHER, 1" WIDE RIM, Y/D
11	SN3938		LOCK NUT, 1"-8 HEX NYLON INSERT, GR2, Y/D

I0007083
PR: t05g29h00b0002

6433 SPLIT WING LAND FINISHER
SERVICE PARTS

OUTER WING FRAME



07084

6433 SPLIT WING LAND FINISHER
SERVICE PARTS

11

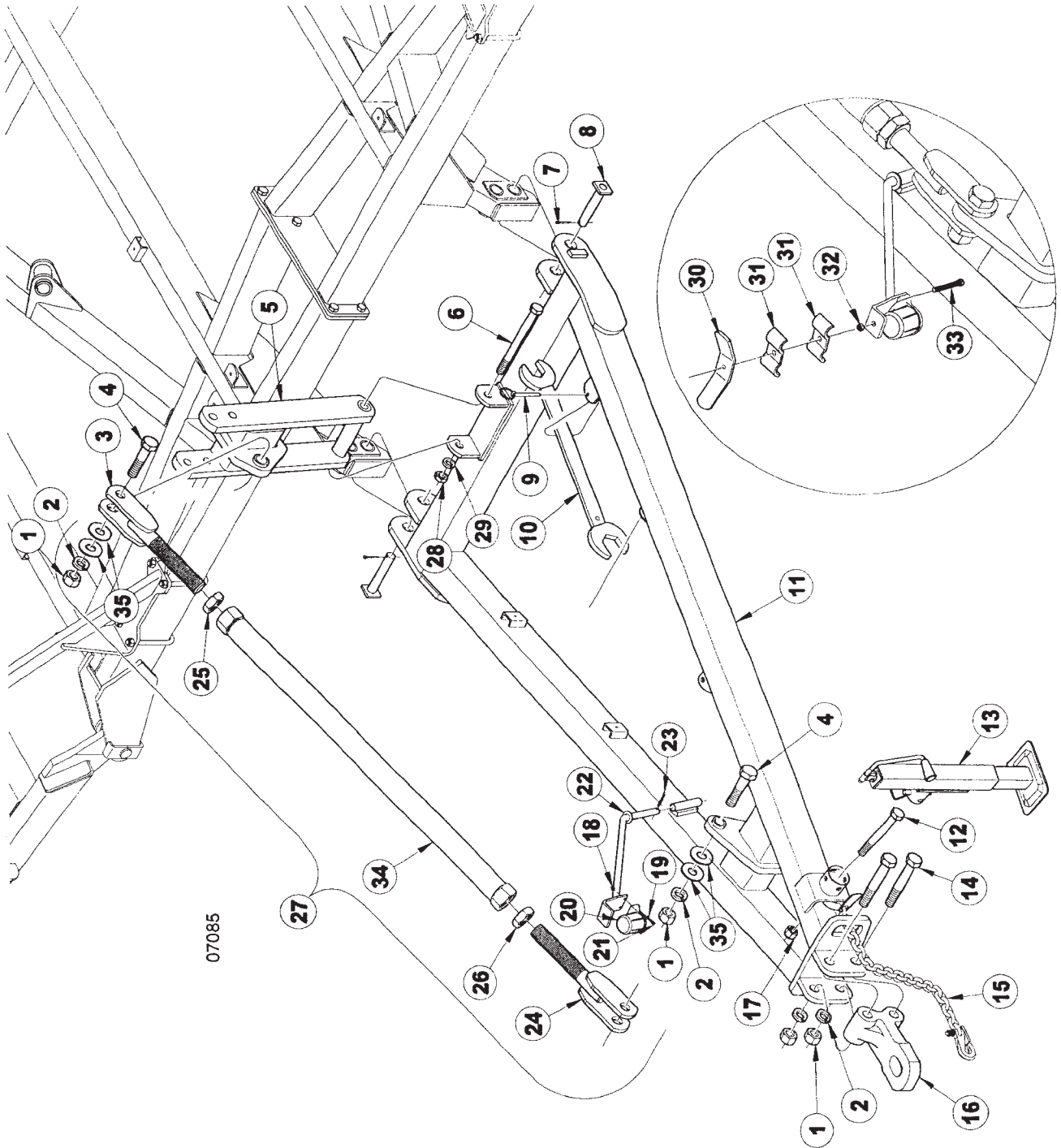
OUTER WING FRAME

ITEM	NUMBER	QTY	DESCRIPTION
1	SN12273R		LINK, FOLD
2	SN3164		ROLL PIN, 5/16" X 2" SPIRAL MEDIUM DUTY, Y/D
3	SN5342		PIN, 1 1/4" X 4 13/16" (3 3/4") Y/D
4	SN12277R		LINK, FOLD DOUBLE
5	SN12272		HINGE BOLT, 1 1/4" SHAFT 1"-8 X 6",Y/D
6	SN12305		CYLINDER, ADJUSTABLE ANCHOR, Y/D
7	SN1978		HEX NUT, 1 1/2"-6 FULL, GR 2, Y/D
8	SN12294R		EXTENSION, SHANK
9	SN670		HEX BOLT, 5/8"-11 X 2", GR 5, Y/D
10	SN669-1		LOCK NUT, 5/8" HEX NYLON INSERT, GR 5, Y/D
11	SN5605		EXTENSION, 1 SHANK
12	SN2815		U-BOLT, 5/8"-11 X 4 1/2" X 5 11/16"W, GR 5, Y/D
13	SN12282R		EXTENSION, REEL
14	SN1220		HEX BOLT, 3/4"-10 X 2", GR 5 Y/D
15	SN1040		LOCK WASHER,3/4" SPLIT TYPE MED,Y/D
16	SN106		HEX NUT, 3/4"-10 FULL, GR 5, Y/D
17	SN245		FLAT WASHER, 1" WIDE RIM, Y/D
18	SN3938		LOCK NUT, 1"-8 HEX NYLON INSERT, GR2,Y/D
19	SN12309R		FRAME, WING LEFT OUTER (SHOWN)
	SN12308R		FRAME, WING RIGHT OUTER

I0007084
PR: t05g29h00b0003

6433 SPLIT WING LAND FINISHER
SERVICE PARTS

TONGUE ASSEMBLY



**6433 SPLIT WING LAND FINISHER
SERVICE PARTS**

13

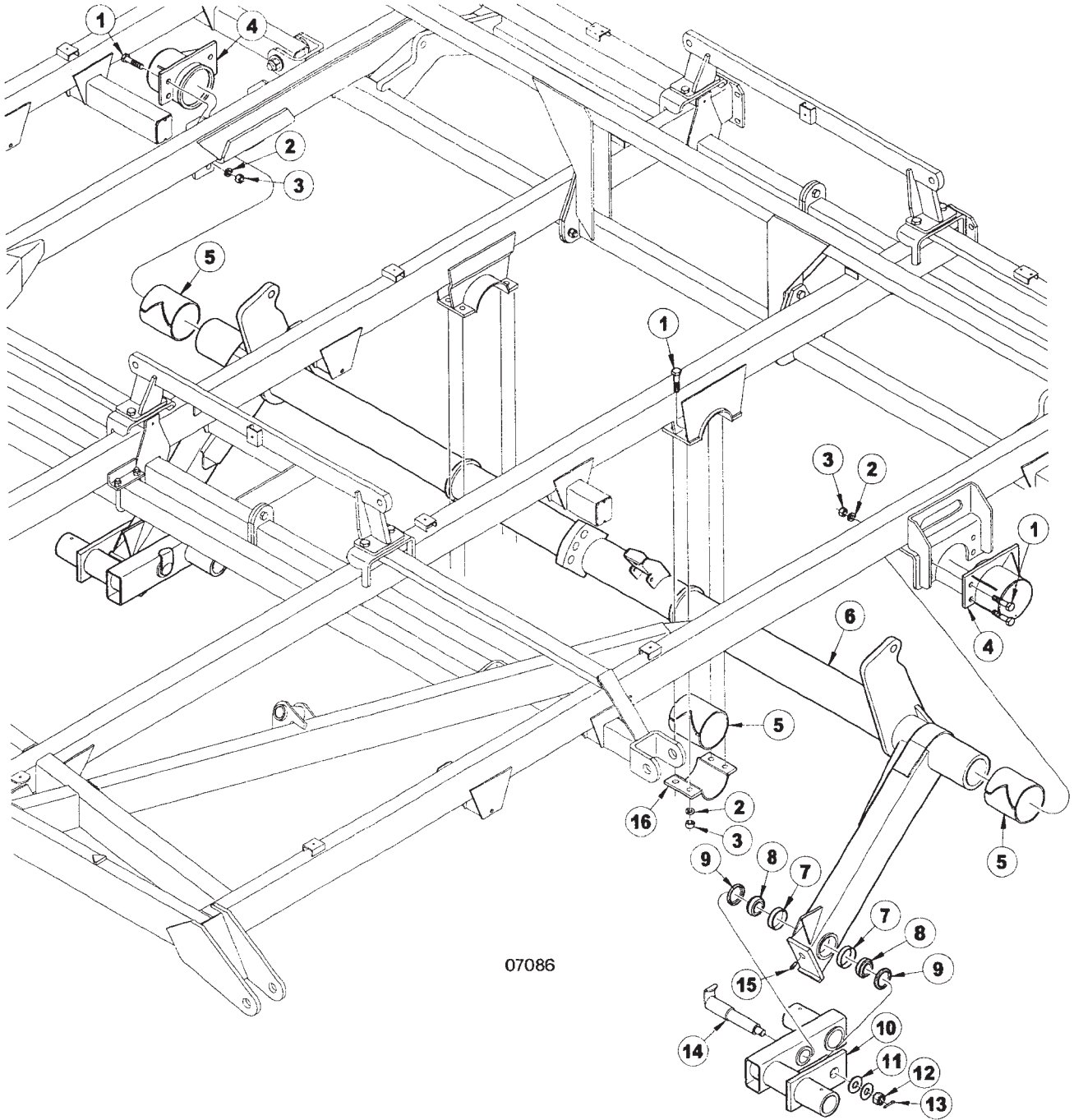
TONGUE ASSEMBLY

ITEM	NUMBER	QTY	DESCRIPTION
1	SNFK150144		HEX NUT, 1 1/4"-7, GR 2, Y/D
2	SNFK150157		LOCK WASHER, 1 1/4", Y/D
3	SN12291		SCREW, ADJUSTING RIGHT, Y/D
4	SN4753		HEX BOLT, 1 1/4"-7 X 6", GR 5, Y/D
5	SN12281R		LEVELER TOWER
6	SNYYC-186		HEX BOLT, 1"-8 X 10 1/2" GR 5, Y/D
7	SN108		COTTER PIN, 5/16" X 2 1/2", Y/D
8	SN5613		PIN, 1 1/2" X 6 1/16" (5 19/32") SQUARE HEADED
9	SN6575		BALL LOCK PIN, 3/8" X 3 1/2"(3 1/8")Z/P
10	SN6923R		WRENCH, TONGUE ADJUSTMENT
11	SN12267R		TONGUE
12	SN109		HEX BOLT, 1"-8 X 7", GR 5, Y/D
13	SN9777		LONG TONGUE JACK, SQ W/TUBE MOUNT
14	SNFK350402		HEX BOLT, 1 1/4"-7 X 7" GR 5 (SPECIAL)
15	SN9982		CHAIN, 7/16" X 64" (30,400 LB) ASSEMBLY
16	SN4781		CAST SINGLE LIP HITCH, 2" HOLE
17	SN3938		LOCK NUT, 1"-8 HEX NYLON INSERT, GR2,Y/D
18	SN3881		LOCK NUT, 1/4"-20 HEX NYLON INSERT, GR 2, Y/D
19	SN506		FLAT WASHER, 1/4", Y/D
20	SN10012		HOLDER, 7-PIN CONNECTOR
21	SN2568		HEX BOLT, 1/4"-20 X 3/4", GR 5 Y/D
22	SN9537		HOSE HOLDER
23	SN1609		COTTER PIN, 3/16" X 1 1/2"
24	SN12292		SCREW, ADJUSTING LEFT, Y/D
25	SN2088		JAM NUT, 1 3/4"-5 HEX, GR 2, Y/D
26	SN6879		JAM NUT, 1 3/4"-5 HEX LH, GR 2 Y/D
27	SN12315R		ASSY, ADJUSTING LINK (ITEMS 3, 24-26, & 34)
28	SN1849		JAM NUT, 1"-8 HEX, GR 2, Y/D
29	SN1283		LOCK WASHER, 1" SPLIT TYPE MED, Y/D
30	SN9538R		HOSE HOLDER BRACKET
31	SN2339		BRACKET CLAMP, Y/D
32	SN3567		LOCK NUT, 3/8"-16 HEX NYLON INSERT, GR 2, Y/D
33	SN9549		HEX BOLT, 3/8"-16 X 4",ALL THD GR 5,Y/D
34	SN12293R		LINK, ADJUSTING
35	SNFK150172		FLAT WASHER, 1 1/4" SAE, Y/D

I0007085
PR: t05g29h00b0004

6433 SPLIT WING LAND FINISHER
SERVICE PARTS

CENTER LIFT ASSEMBLY



07086

6433 SPLIT WING LAND FINISHER
SERVICE PARTS

15

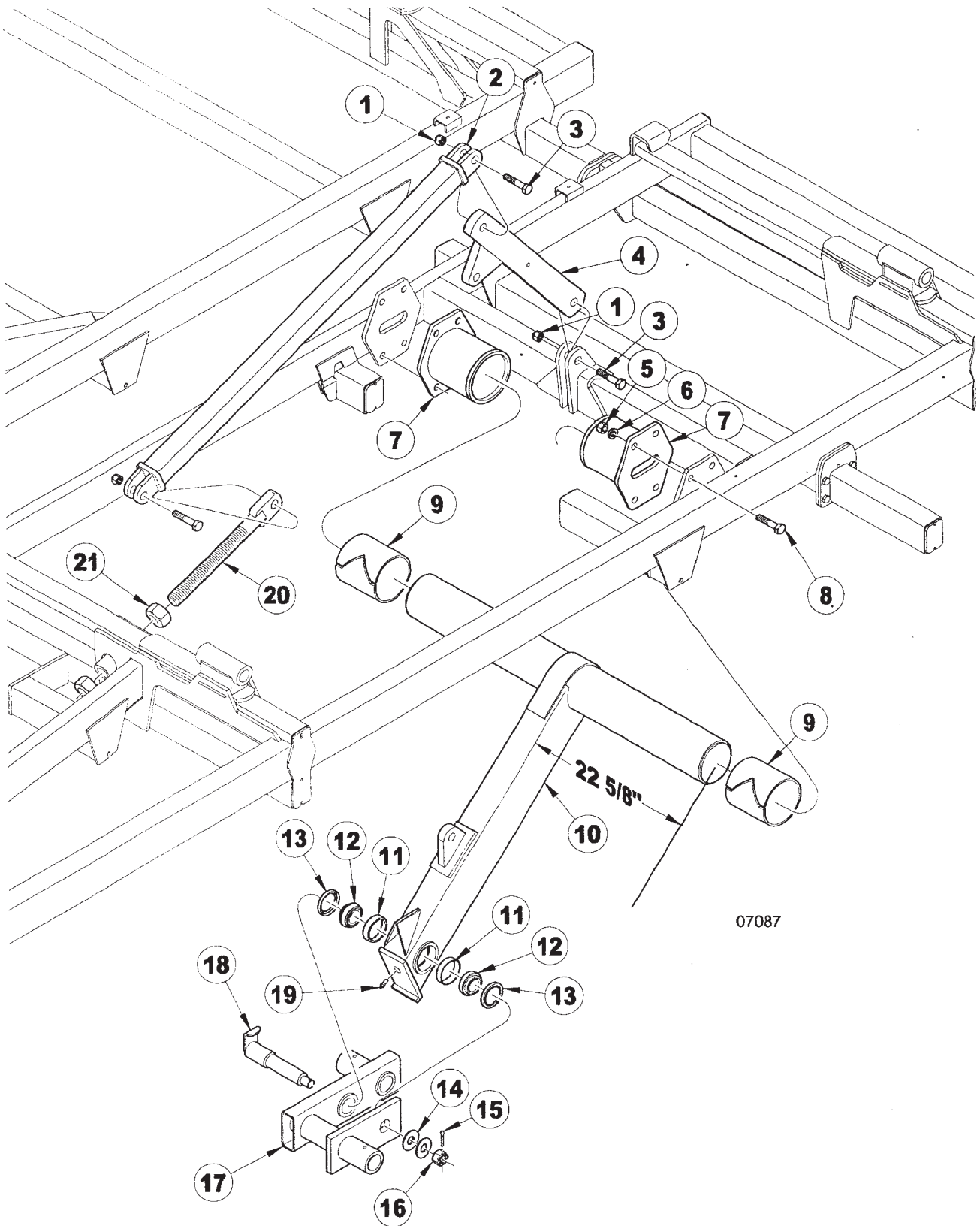
CENTER LIFT ASSEMBLY

ITEM	NUMBER	QTY	DESCRIPTION
1	SN1220		HEX BOLT, 3/4"-10 X 2", GR 5 Y/D
2	SN1040		LOCK WASHER,3/4" SPLIT TYPE MED,Y/D
3	SN106		HEX NUT, 3/4"-10 FULL, GR 5, Y/D
4	SN7870		BEARING CAP
5	SN7325		BEARING, LIFT (SPLIT) 6" WIDE
6	SN12301R		LIFT, MAIN
7	SN3062		WALKING BEAM RACE (332)
8	SN3061		WALKING BEAM BEARING (342A)
9	SN3063		WALKING BEAM SEAL (NAT.204035 C/R 22870)
10	SN5622		TANDEM PIVOT, 2 3/4" SPINDLE
11	SN245		FLAT WASHER, 1" WIDE RIM, Y/D
12	SN2992		HEX NUT,1"-14 FULL SLOTTED GR 2, Y/D
13	SN3066		COTTER PIN, 7/32" X 1 1/2"
14	SN3669		SPINDLE, 2" X 10 15/16" L TANDEM PIVOT
15	SN2098-5		GREASE ZERK, 1/8" NPTF, 1 1/4" L
16	SN7329		BEARING CAP

I0007086
PR: t05g29h00b0005

6433 SPLIT WING LAND FINISHER
SERVICE PARTS

WING LIFT ASSEMBLY



6433 SPLIT WING LAND FINISHER
SERVICE PARTS

17

WING LIFT ASSEMBLY

ITEM	NUMBER	QTY	DESCRIPTION
1	SN3938		LOCK NUT, 1"-8 HEX NYLON INSERT, GR2,Y/D
2	SN12279R		ARM, LIFT
3	SN155		HEX BOLT, 1"-8 X 3 1/2", GR 5 Y/D
4	SN12276R		LINK, LIFT
5	SN106		HEX NUT, 3/4"-10 FULL, GR 5, Y/D
6	SN1040		LOCK WASHER,3/4" SPLIT TYPE MED,Y/D
7	SN12271R		BEARING CAP
8	SN1220		HEX BOLT, 3/4"-10 X 2", GR 5 Y/D
9	SN7325		BEARING, LIFT (SPLIT) 6" WIDE
10	SN12302R		LIFT, WING RIGHT
	SN12303R		LIFT, WING LEFT (SHOWN)
11	SN3062		WALKING BEAM RACE (332)
12	SN3061		WALKING BEAM BEARING (342A)
13	SN3063		WALKING BEAM SEAL (NAT.204035 C/R 22870)
14	SN245		FLAT WASHER, 1" WIDE RIM, Y/D
15	SN3066		COTTER PIN, 7/32" X 1 1/2"
16	SN2992		HEX NUT,1"-14 FULL SLOTTED GR 2, Y/D
17	SN3330		TANDEM PIVOT
18	SN3331		SPINDLE, 2" X 9 15/16" TANDEM PIVOT
19	SN2098-5		GREASE ZERK, 1/8" NPTF, 1 1/4" L
20	SN12285		CYLINDER, ADJUSTABLE BLOCK, Y/D
21	SN1978		HEX NUT, 1 1/2"-6 FULL, GR 2, Y/D

I0007087
PR: t05g29h00b0006

6433 SPLIT WING LAND FINISHER

19

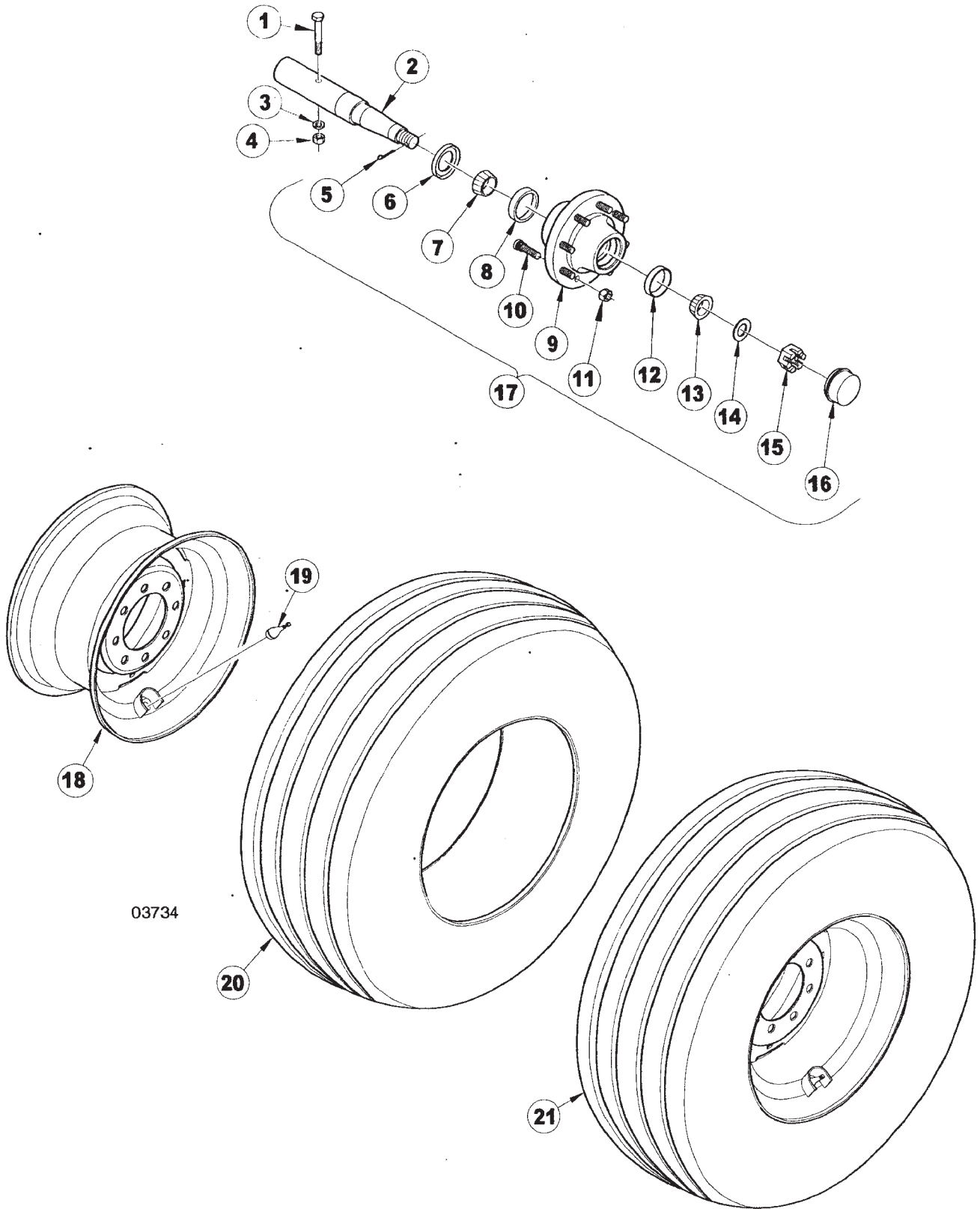
SERVICE PARTS

**SIX BOLT HUB & SPINDLE ASSEMBLY W/WHEEL
& TIRES**

ITEM	NUMBER	QTY	DESCRIPTION
1	SN2585		HEX BOLT, 7/16"-14 X 3 1/2", GR 5, Y/D
2	SN3298		SPINDLE, 2" X 11 3/16" L
3	SN302		LOCKWASHER, 7/16" SPLIT TYPE MED, Y/D
4	SN303		HEX NUT, 7/16"-14 FULL, GR 2, Y/D
5	SN3066		COTTER PIN, 7/32" X 1 1/2"
6	SN3301		TRIPLE LIP SEAL
7	SN1935		BEARING (LM501349)
8	SN1936		RACE (LM501310)
9	SN1937		SIX BOLT HUB, STUDDERED W/CUPS AND LUG NUTS, PAINTED
10	SN3118		LUG BOLT, 9/16"-18 X 1 7/8" PRESS IN, PL
11	SN3117		LUG NUT, 9/16"-18, GR 5, 90 DEG TAPER, Y/D
12	SN1605		RACE (LM67010)
13	SN1606		BEARING (LM67048)
14	SN3303		WASHER, 1 1/32" ID X 1 3/4" ODX 1/8" THICK, PLAIN
15	SN3302		HEX NUT, 1"-14 FULL SLOTTED GR 2, PLAIN
16	SN1610		DUST CAP, 2.448" OD, Y/D
17	SN2098-6		GREASE ZERK, 1/4"-28, 17/32" L, STRAIGHT W/TAPER THREADS
18	SN3300		SIX BOLT HUB ASSEMBLY W/3301 SEAL
19	SN1944		WHEEL, 15 X 10, 6 BOLT
20	SN3577		VALVE STEM
21	SN3582		TIRE, 12.5L X 15, 12 PLY, TUBELESS
22	SN3588		TIRE, 12.5L, 12 PLY TUBELESS W/15 X 10 WHEEL ASSY 6 BOLT

I0001335
PR: t05g29h00b0007

EIGHT BOLT HUB & SPINDLE ASSEMBLY
W/WHEEL & TIRES



03734

6433 SPLIT WING LAND FINISHER
SERVICE PARTS

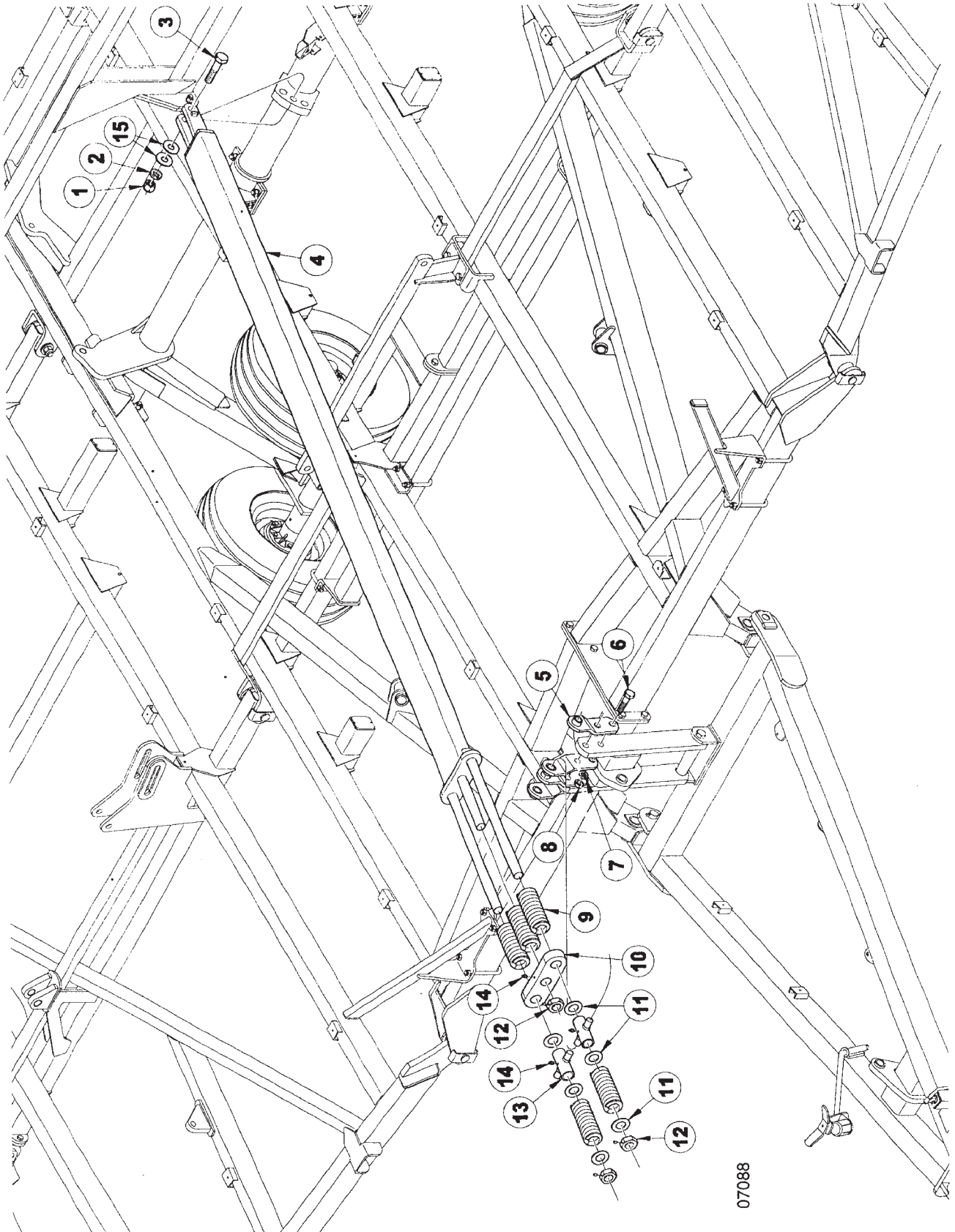
21

EIGHT BOLT HUB & SPINDLE ASSEMBLY
W/WHEEL & TIRES

ITEM	NUMBER	QTY	DESCRIPTION
1	SN140		HEX BOLT, 1/2"-13 X 4 1/2", GR 5,Y/D
2	SN5621		SPINDLE, 2 3/4" X 15 5/16"L
3	SN113		LOCK WASHER, 1/2" SPLIT TYPE MED,Y/D
4	SN114		HEX NUT, 1/2"-13 FULL, GR 2, Y/D
5	SN1609		COTTER PIN, 3/16" X 1 1/2"
6	SNFK310064		SEAL, 8-BOLT
7	SNFK310062		BEARING (JLM506849)
8	SNFK310063		RACE (JLM506810)
9	SNFK340163		EIGHT BOLT HUB, STUDDED W/CUPS AND LUG NUTS, PAINTED
10	SNFK340167		LUG BOLT, 5/8"-18 X 2 1/4"
11	SNFK340168		LUG NUT, 5/8"-18, GR 5, 90 DEGTAPER, Y/D
12	SN1936		RACE (LM501310)
13	SN1935		BEARING (LM501349)
14	SNFK340165		WASHER, 1 1/16" ID X 2 1/8" OD X 1/4" THICK, PLAIN
15	SN3302		HEX NUT, 1"-14 FULL SLOTTED GR 2, PLAIN
16	SNFK340162		DUST CAP, 3.125" OD, Y/D
17	SNFK800384		EIGHT BOLT HUB ASSY.
18	SN5603		WHEEL, 15 X 10, 8 BOLT, 3/8" OFFSET
19	SN3577		VALVE STEM
20	SN5578		TIRE, 12.5L X 15, (GY-FI-F)
21	SN5579		TIRE, 12.5L (GY-FI-F) W/15X10 WHEEL ASSY 8 BT

I0003734
PR: t05g29h00b0008

LEVELERTUBE ASSEMBLY



07088

6433 SPLIT WING LAND FINISHER
SERVICE PARTS

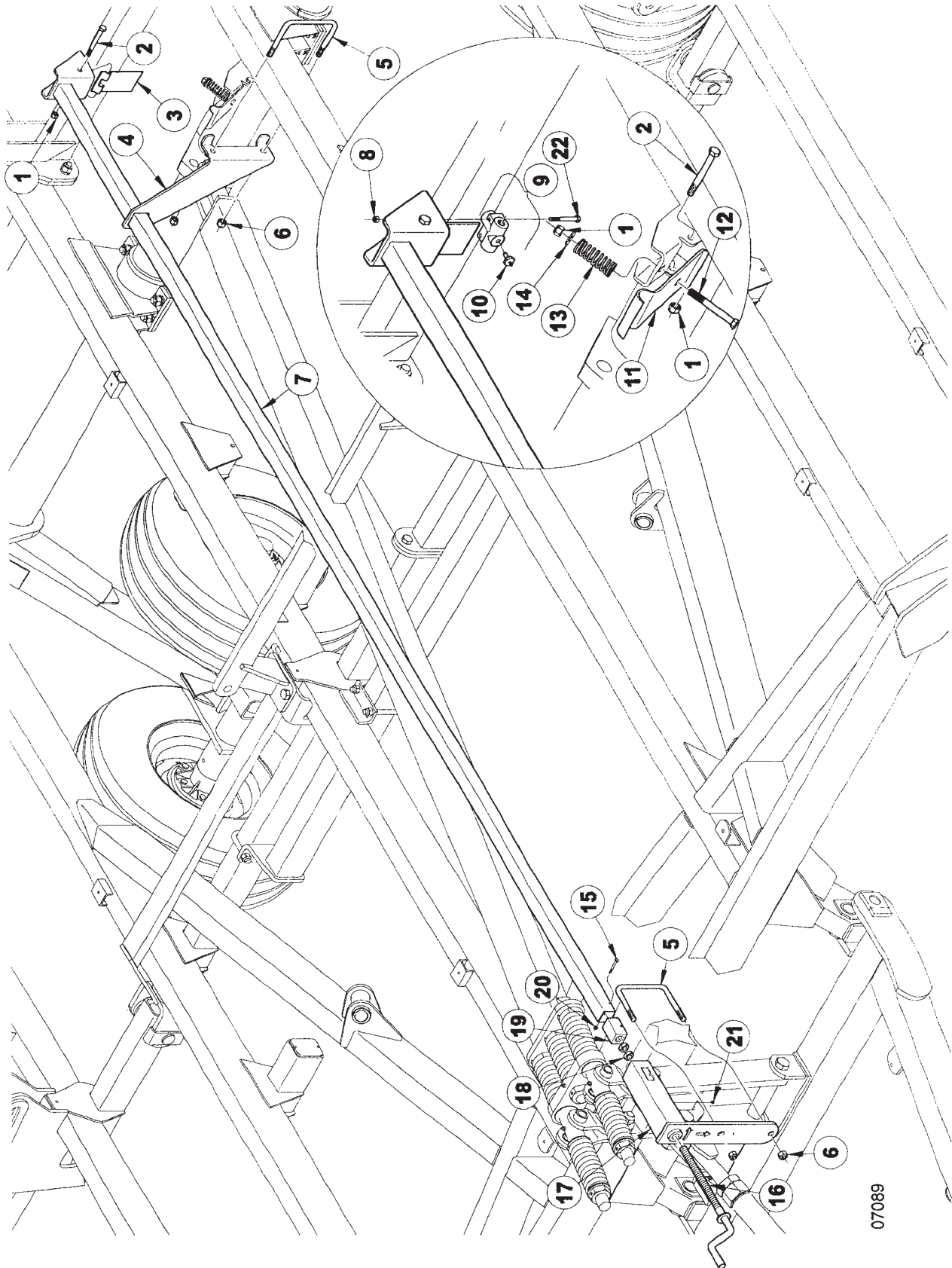
23

LEVELER TUBE ASSEMBLY

ITEM	NUMBER	QTY	DESCRIPTION
1	SNFK150144		HEX NUT, 1 1/4"-7, GR 2, Y/D
2	SNFK150157		LOCK WASHER, 1 1/4", Y/D
3	SN4753		HEX BOLT, 1 1/4"-7 X 6", GR 5, Y/D
4	SN12280R		TUBE, LEVELER
5	SN12275R		BRACKET, LEVELER CROSS
6	SN5530		HEX BOLT, 1"-8 X 3", 1" THD, GR 5, Y/D
7	SN1283		LOCK WASHER, 1" SPLIT TYPE MED, Y/D
8	SN1849		JAM NUT, 1"-8 HEX, GR 2, Y/D
9	SN1875		SPRING, 2.938" OD X 1.625" ID X 8 7/8" L COMPRESSION
10	SN12274R		PLATE, GUIDE
11	SN2755		FLAT WASHER, 1 9/16" ID X
12	SN1880		JAM NUT, 1 1/2"-6 HEX W/SET SCREW, GR 2, Y/D
13	SN7999		LEVELER CROSS, 5"
14	SN2098-1		GREASE ZERK, 1/8" NPTF, 5/8" L
15	SNFK150172		FLAT WASHER, 1 1/4" SAE, Y/D

I0007088
PR: t05g29h00b0009

STROKE CONTROL TUBE



**6433 SPLIT WING LAND FINISHER
SERVICE PARTS**

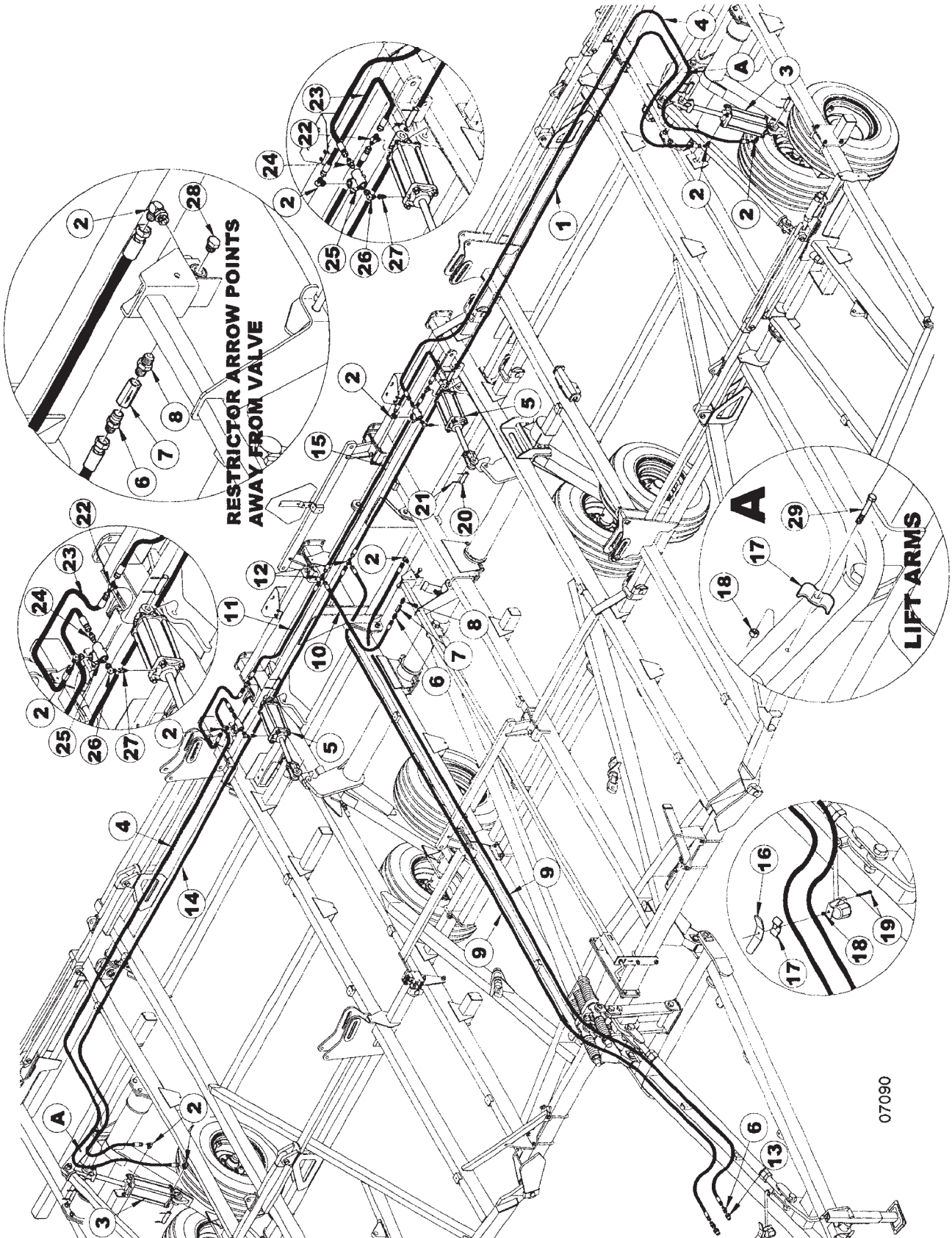
25

STROKE CONTROL TUBE

ITEM	NUMBER	QTY	DESCRIPTION
1	SN2096		LOCK NUT, 1/2"-13 HEX NYLON INSERT
2	SN140		HEX BOLT, 1/2"-13 X 4 1/2", GR 5,Y/D
3	SN6930		STOP TAB
4	SN12290R		GUIDE, STROKE CONTROL TUBE
5	SN7053		U-BOLT, 5/8"-11 X 4 1/2" X 6 11/16"W,Y/D
6	SN669-1		LOCK NUT, 5/8" HEX NYLON INSERT, GR 5, Y/D
7	SN12295R		VALVE ADJUSTMENT TUBE
8	SN6378		LOCK NUT, 5/16" HEX NYLON
9	SN4732		DEPTH CONTROL VALVE
10	SN1817		HEX BOLT, 5/16"-18 X 2 1/2", GR 5, Y/D
11	SN12289R		ACTUATOR LEVER
12	SN3371		HEX BOLT, 1/2"-13 X 4", GR 5, Y/D
13	SN4944		SPRING, 1.10" OD,.135 DIA, 3 1/2" L.
14	SN486		FLAT WASHER, 1/2", Y/D
15	SNRT015003		HEX BOLT, 1/4"-20 X 2 1/4" GR 5, Y/D
16	SN9531		THREADED REMOTE ADJUSTMENT, Y/D
17	SN12284R		MOUNT, STROKE CONTROL
18	SN1243		JAM NUT, 3/4"-10 HEX, GR 2, Y/D
19	SN12349		BUSHING,1 1/2" SQ X 2" L, DELRIN
20	SN3881		LOCK NUT, 1/4"-20 HEX NYLON INSERT, GR 2, Y/D
21	SN2098-6		GREASE ZERK, 1/4"-28, 17/32" L, STRAIGHT W/TAPER THREADS

I0007089
PR: t05g29h00b0010

LIFT HYDRAULICS



**6433 SPLIT WING LAND FINISHER
SERVICE PARTS**

27

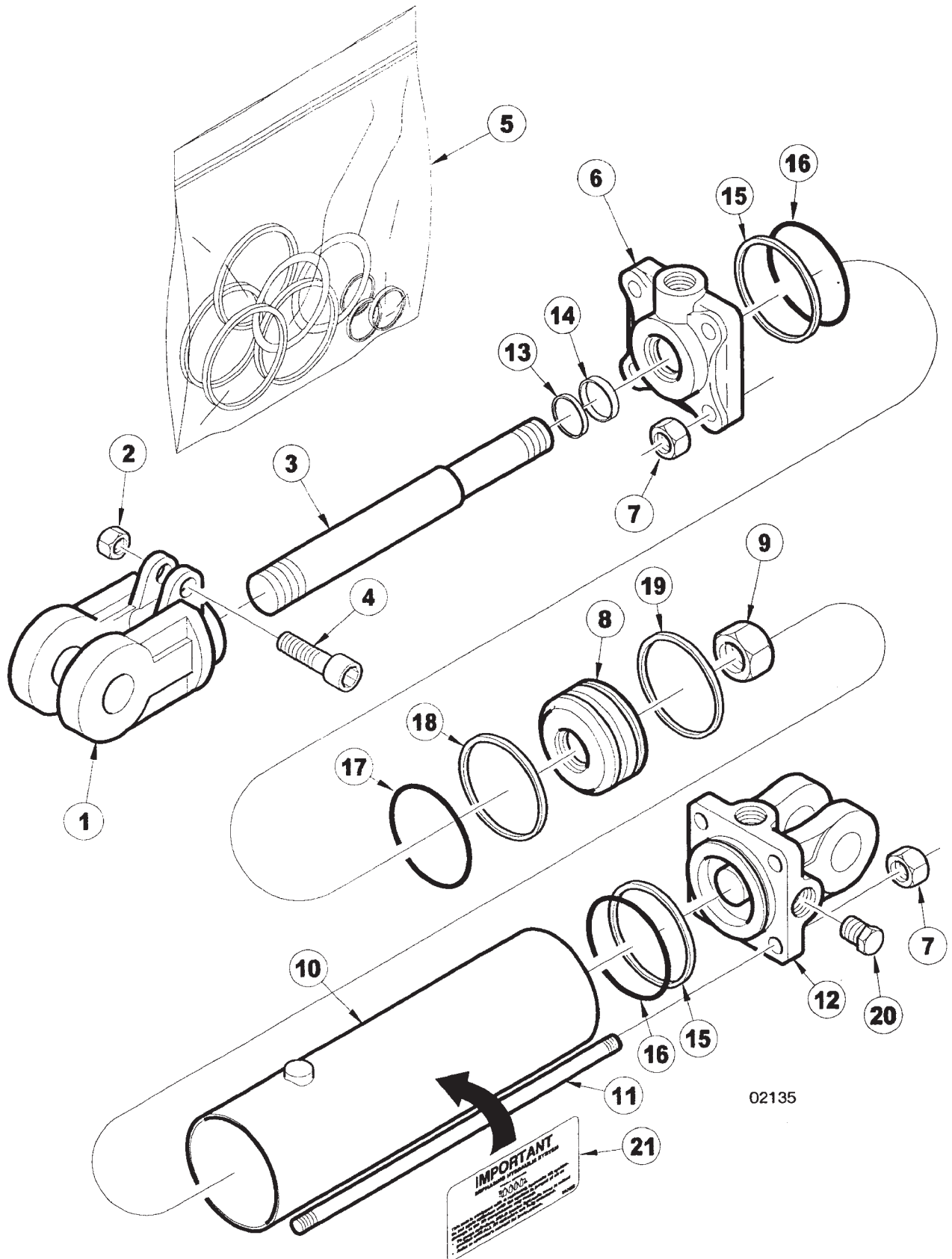
LIFT HYDRAULICS

ITEM	NUMBER	QTY	DESCRIPTION
1	SN4279005		HOSE, 1/2" X 279" L, FEMALE ENDS
2	SN4457		90 DEG STRAIGHT THD ELBOW, 7/8"-14 MF X 3/4"-16 MOR
3	SN10815		CYLINDER, 3 3/4" X 10" REPH (22 1/4"CPC) ORB CROSS, 3000 PSI
4	SN4210005		HOSE, 1/2" X 210" L, FEMALE ENDS
5	SN10814		CYLINDER, 4" X 10" REPH (22 1/4" CPC) ORB CROSS, 3000 PSI
6	SN2426		MALE CONNECTOR, 7/8"-14 MF X 1/2-14 MPT
7	SN4484		IN LINE RESTRICTOR, 1/2-14 FPT, W/ 5/32" REST
8	SN6401880		O-RING THREAD ADAPTER, 3/4"-16 MORX 1/2-14 MPT
9	SN4348005		HOSE, 1/2" X 348" L, FEMALE ENDS
10	SN4050005		HOSE, 1/2" X 50" L, FEMALE ENDS
11	SN4038005		HOSE, 1/2" X 38" L, FEMALE ENDS
12	SN4460		UNION TEE, 7/8"-14 MF
13	SN3253		HYDRAULIC COUPLER, MALE HALF
14	SN4236005		HOSE, 1/2" X 236" L, FEMALE ENDS
15	SN4081005		HOSE, 1/2" X 81" L, FEMALE ENDS
16	SN9538R		HOSE HOLDER BRACKET
17	SN5302		PIPE CLAMP, 3/8" BOLT HOLE, Y/D
18	SN3567		LOCK NUT, 3/8"-16 HEX NYLON INSERT, GR 2, Y/D
19	SN9549		HEX BOLT, 3/8"-16 X 4", ALL THD GR 5, Y/D
20	SN5339		PIN, 1" X 4 1/16" (3"), Y/D
21	SN3164		ROLL PIN, 5/16" X 2" SPIRAL MEDIUM DUTY, Y/D
22	SN4462		STRAIGHT THD. BRANCH TEE, 7/8"-14MF X 3/4"-16 MOR
23	SN4020005		HOSE, 1/2" X 20" L, FEMALE ENDS
24	SN4464		STRAIGHT THD.CONNECTOR, 7/8"-14MF X 3/4"-16 MOR
25	SN7905		RELIEF VALVE, 3/4"-16 SAE -1000 PSI
26	SN4454		90 DEG STR THREAD ELBOW, 3/4"-16
27	SN10837		MALE O.R. TO JIC SWIVEL CONNECTOR, 3/4-16 O.R. TO 3/4-16 F.F.
28	SN4458		PLUG, 3/4"-16 MOR
29	SN2487		HEX BOLT, 3/8"-16 X 2 1/2", GR 5, Y/D

I0007090
PR: t05g29h00b0011

6433 SPLIT WING LAND FINISHER
SERVICE PARTS

4" X 10" HYDRAULIC CYLINDER 10814R



02135

6433 SPLIT WING LAND FINISHER
SERVICE PARTS

29

4" X 10" HYDRAULIC CYLINDER 10814R

ITEM	NUMBER	QTY	DESCRIPTION
1	SN8610-1		CLEVIS, 1 1/4" THREADS, 1" PIN W/BUSHING CROSS
2	SN8671-1		CAPSCREW NUT, 5/16" THREADS CROSS
3	SN8925-1		ROD, 1 3/8" DIA, 10" REPHASING CROSS
4	SN8631-1		CAPSCREW, CROSS
5	SN8781-1		SEAL KIT, 4", 1 3/8" ROD
6	SN8739-10		HEAD, 4" 1 3/8" ROD, REPHASING CROSS
7	SN8864-1		TIE ROD NUT, 5/8" THREADS
8	SN8653-1		PISTON, 4" W/1" HOLE, REPHASING CROSS
9	SN8683-1		PISTON NUT, 1" CROSS
10	SN8826-1		TUBE, 4" X 10" REPHASING CROSS
11	SN8654-1		TIE ROD BOLT, 4" X 10" REPHASING, CROSS
12	SN8670-10		BASE, 4" (ORB) CROSS
13			* WIPER
14			* U-CUP
15			* BACKUP
16			* O-RING
17			* O-RING
18			* TEFLON RING
19			* WEAR RING
20	SN4458		PLUG, 3/4"-16 MOR
21	SN997052		SYSTEMS MUST BE BLED OF AIR NOTE*AVAILABLE IN THE SEAL KIT ONLY.

I0002135
PR: t05g29h00b0012

6433 SPLIT WING LAND FINISHER
SERVICE PARTS

31

3 3/4" X 10" HYDRAULIC CYLINDER 10815R

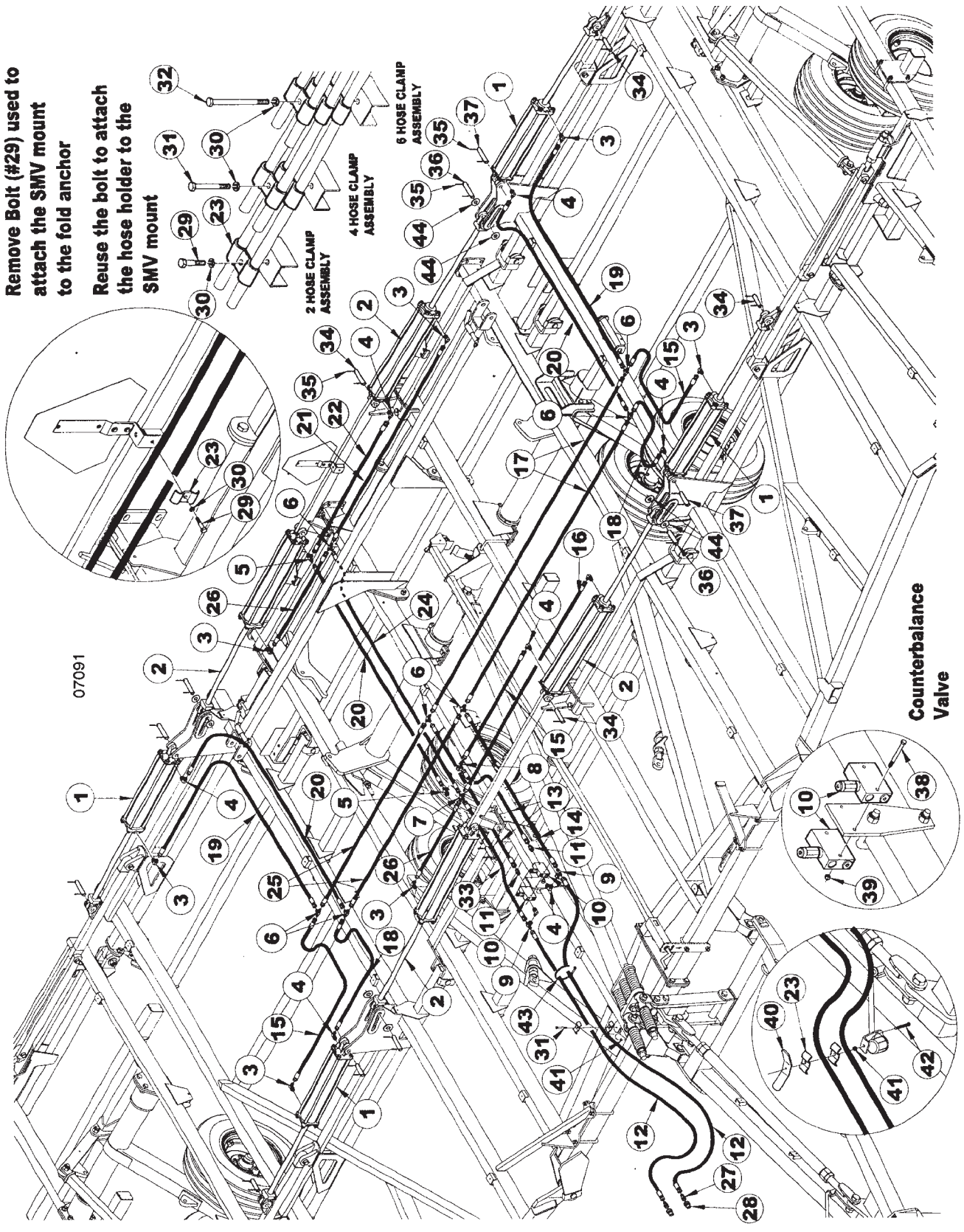
ITEM	NUMBER	QTY	DESCRIPTION
1	SN8610-1		CLEVIS, 1 1/4" THREADS, 1" PIN W/BUSHING, CROSS
2	SN8671-1		CAPSCREW NUT, 5/16" THREADS CROSS
3	SN8925-1		ROD, 1 3/8" DIA, 10" REPHASING CROSS
4	SN8631-1		CAPSCREW, CROSS
5	SN8776-1		SEAL KIT, 3 3/4", 1 3/8" ROD, REPHASING CROSS
6	SN8736-10		HEAD, 3 3/4", 1 3/8" ROD
7	SN8864-1		TIE ROD NUT, 5/8" THREADS
8	SN8655-1		PISTON, 3 3/4" W/1" HOLE REPHASING,CROSS
9	SN8683-1		PISTON NUT, 1" CROSS
10	SN8828-1		TUBE, 3 3/4" X 10" REPHASING CROSS E
11	SN8654-1		TIE ROD BOLT, 4" X 10" REPHASING, CROSS
12	SN8656-10		BASE, 3 3/4" (ORB), 1" PIN REPHASING, CROSS
13			* WIPER
14			* U-CUP
15			* BACKUP
16			* O-RING
17			* O-RING
18			* TEFLON RING
19			* WEAR RING
20	SN4458		PLUG, 3/4"-16 MOR
21	SN997052		SYSTEMS MUST BE BLED OF AIR NOTE*AVAILABLE IN THE SEAL KIT ONLY.

I0002135
PR: t05g29h00b0013

FOLD HYDRAULICS

Remove Bolt (#29) used to attach the SMV mount to the fold anchor

Reuse the bolt to attach the hose holder to the SMV mount



**6433 SPLIT WING LAND FINISHER
SERVICE PARTS**

33

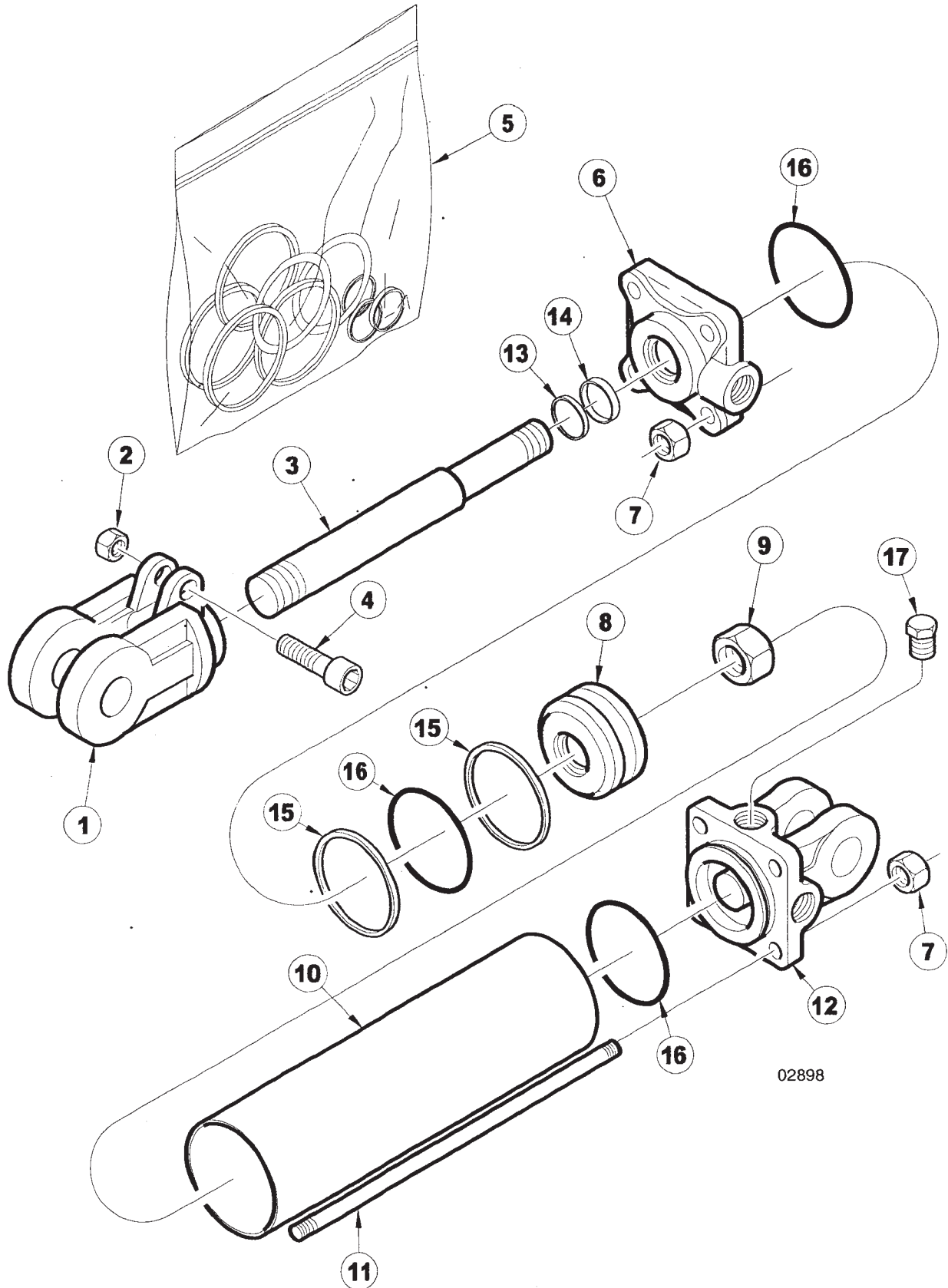
FOLD HYDRAULICS

ITEM	NUMBER	QTY	DESCRIPTION
1	SN12020		CYLINDER, 3 1/2" X 24" (34 1/4 CPC) ORB CROSS, 3000 PSI
2	SN10812		CYLINDER, 4" X 30" (40 1/4" CPC) ORB CROSS, 3000 PSI
3	SN4455		90 DEG STR THD ELBOW, 3/4"-16 MFX 3/4"-16 MOR W/1/16" REST
4	SN4454		90 DEG STR THREAD ELBOW, 3/4"-16
5	SN4474		STRAIGHT THD.RUN TEE, 3/4"-16 MF X 3/4"-16 MOR
6	SN2429		UNION TEE, 3/4"-16 MF
7	SN4482		UNION CROSS, 3/4"-16 MF
8	SN6380		SWIVEL NUT RUN TEE, 3/4"-16 MF X 3/4"-16 FF
9	SN4473		SWIVEL NUT BRANCH TEE, 3/4"-16 MF X 3/4"-16 FF
10	SN6934		VALVE, COUNTERBALANCE
11	SN4463		STRAIGHT THD.CONNECTOR, 3/4"-16
12	SN4232002		HOSE, 3/8" X 232" L, FEMALE ENDS
13	SN4018002		HOSE, 3/8" X 18" L, FEMALE ENDS
14	SN4023002		HOSE, 3/8" X 23" L, FEMALE ENDS
15	SN4049002		HOSE, 3/8" X 49" L, FEMALE ENDS
16	SN4079002		HOSE, 3/8" X 79" L, FEMALE ENDS
17	SN4118002		HOSE, 3/8" X 118" L, FEMALE ENDS
18	SN4021002		HOSE, 3/8" X 21" L, FEMALE ENDS
19	SN4132002		HOSE, 3/8" X 132" L, FEMALE ENDS
20	SN4113002		HOSE, 3/8" X 113" L, FEMALE ENDS
21	SN4076002		HOSE, 3/8" X 76" L, FEMALE ENDS
22	SN4051002		HOSE, 3/8" X 51" L, FEMALE ENDS
23	SN5302		PIPE CLAMP, 3/8" BOLT HOLE, Y/D
24	SN4098002		HOSE, 3/8" X 98" L, FEMALE ENDS
25	SN4072002		HOSE, 3/8" X 72" L, FEMALE ENDS
26	SN4038002		HOSE, 3/8" X 38" L, FEMALE ENDS
27	SN2425		MALE CONNECTOR, 3/4"-16 MF X 1/2-14 MPT
28	SN3253		HYDRAULIC COUPLER, MALE HALF
29	SN175		HEX BOLT, 3/8"-16 X 1 1/2",GR 5, Y/D
30	SN176		LOCK WASHER,3/8" SPLIT TYPE MED,Y/D
31	SN2487		HEX BOLT, 3/8"-16 X 2 1/2",GR 5, Y/D
32	SN3565		HEX BOLT, 3/8"-16 X 3 1/2",GR 5, Y/D
33	SN4026002		HOSE, 3/8" X 26" L, FEMALE ENDS
34	SN5339		PIN, 1" X 4 1/16" (3"), Y/D
35	SN3164		ROLL PIN, 5/16" X 2" SPIRAL MEDIUM DUTY, Y/D
36	SN5252		PIN, 1" X 6 9/16" (5 1/4") Y/D
37	SN5251		PIN, 1" X 5 13/16" (4 1/2"), Y/D
38	SNCS516312		HEX BOLT, 5/16"-18 X 3 1/2" GR5,Y/D
39	SN6378		LOCK NUT, 5/16" HEX NYLON
40	SN9538R		HOSE HOLDER BRACKET
41	SN3567		LOCK NUT, 3/8"-16 HEX NYLON INSERT, GR 2, Y/D
42	SN9549		HEX BOLT, 3/8"-16 X 4",ALL THD GR 5,Y/D
43	SN2587		PLASTIC HOSE STRAP, 21 1/2" L
44	SN245		FLAT WASHER, 1" WIDE RIM, Y/D

I0007091
PR: t05g29h00b0014

6433 SPLIT WING LAND FINISHER
SERVICE PARTS

4" X 30" HYDRAULIC CYLINDER 10812R



02898

6433 SPLIT WING LAND FINISHER
SERVICE PARTS

35

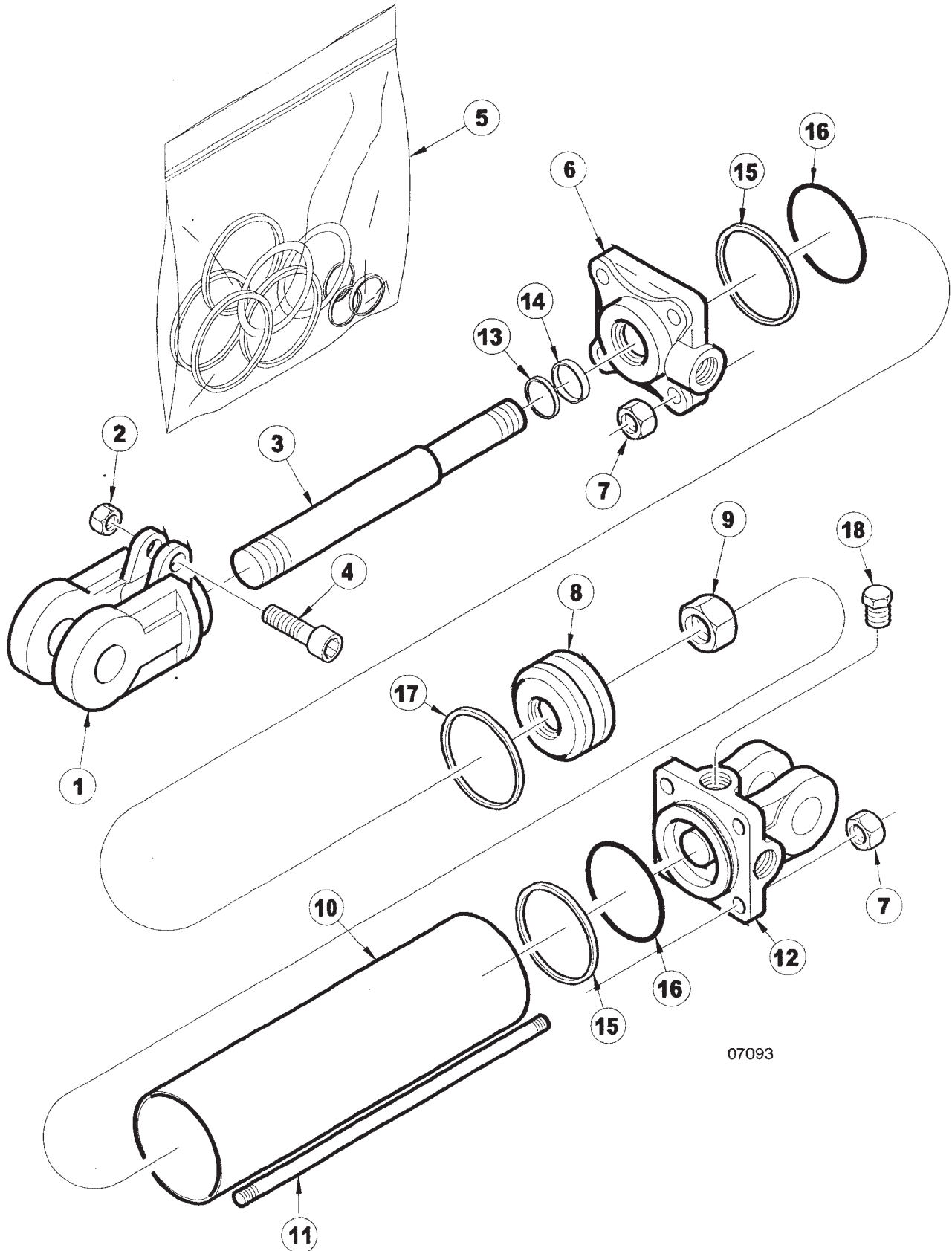
4" X 30" HYDRAULIC CYLINDER 10812R

ITEM	NUMBER	QTY	DESCRIPTION
1	SN8616-1		CLEVIS, 1 1/2" THREADS, 1" PIN CR OSSGS, 4" X 8", CROSS
2	SN8671-1		CAPSCREW NUT, 5/16" THREADS CROSS
3	SN8923-1		ROD, 1 1/2" DIA, 30", CROSS
4	SN8631-1		CAPSCREW, CROSS
5	SN8612-1		SEAL KIT, 4", 1 1/2" ROD, CROSS
6	SN8273-1		HEAD, 4", 1 1/2" ROD, CROSS
7	SN8864-1		TIE ROD NUT, 5/8" THREADS
8	SN8682-1		PISTON, 4" W/1" HOLE, CROSS
9	SN8683-1		PISTON NUT, 1" CROSS
10	SN8837-1		TUBE, 4" X 30" CROSS
11	SN8602-1		TIE ROD BOLT, 4" X 30", CROSS
12	SN8670-10		BASE, 4" (ORB) CROSS
13			* WIPER
14			* U-CUP
15			* BACKUP
16			* O-RING
17	SN4458		PLUG, 3/4"-16 MOR NOTE*AVAILABLE IN THE SEAL KIT ONLY.

I0002898
PR: t05g29h00b0015

6433 SPLIT WING LAND FINISHER
SERVICE PARTS

3 1/2" X 24" HYDRAULIC CYLINDER 12020R



07093

6433 SPLIT WING LAND FINISHER
SERVICE PARTS

37

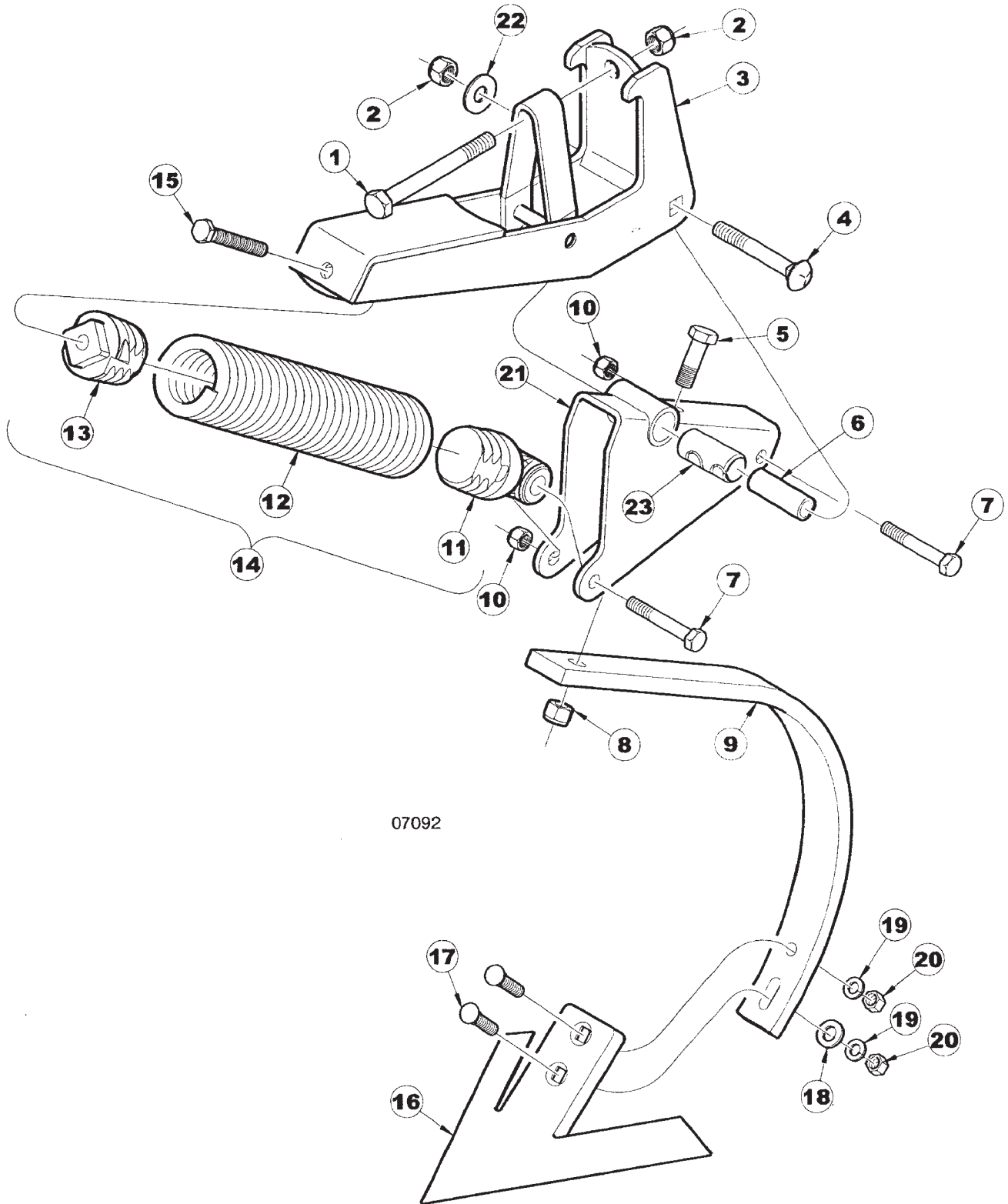
3 1/2" X 24" HYDRAULIC CYLINDER 12020R

ITEM	NUMBER	QTY	DESCRIPTION
1	SN8616-1		CLEVIS, 1 1/2" THREADS, 1" PIN CROSS GS, 4" X 8", CROSS
2	SN8671-1		CAPSCREW NUT, 5/16" THREADS CROSS
3	SN12017		ROD, 1 1/2" DIA, 24" CROSS
4	SN8631-1		CAPSCREW, CROSS
5	SN12015		SEAL KIT, 3 1/2", 1 1/2" ROD CROSS
6	SN12018		HEAD, 3 1/2", 1 1/2" ROD, CROSS (ORB)
7	SN8863-1		TIE ROD NUT, 9/16" THREADS CROSSING CROSS
8	SN8978-1		PISTON, 3 1/2" W/1" HOLE CROSS
9	SN8683-1		PISTON NUT, 1" CROSS
10	SN12016		TUBE, 3 1/2" X 24" CROSS
11	SN12019		TIE ROD BOLT, 3 1/2" X 24" CROSS
12	SN8927-10		BASE, 3 1/2" (ORB 1" PIN) REPHASING, CROSS
13			* WIPER
14			* U-CUP
15			* BACK-UP
16			* O-RING
17			* CROWN SEAL
18	SN4458		PLUG, 3/4"-16 MOR NOTE*AVAILABLE IN THE SEAL KIT ONLY.

I0007093
PR: t05g29h00b0016

6433 SPLIT WING LAND FINISHER
SERVICE PARTS

SPRING SHANK ASSEMBLY



07092

**6433 SPLIT WING LAND FINISHER
SERVICE PARTS**

39

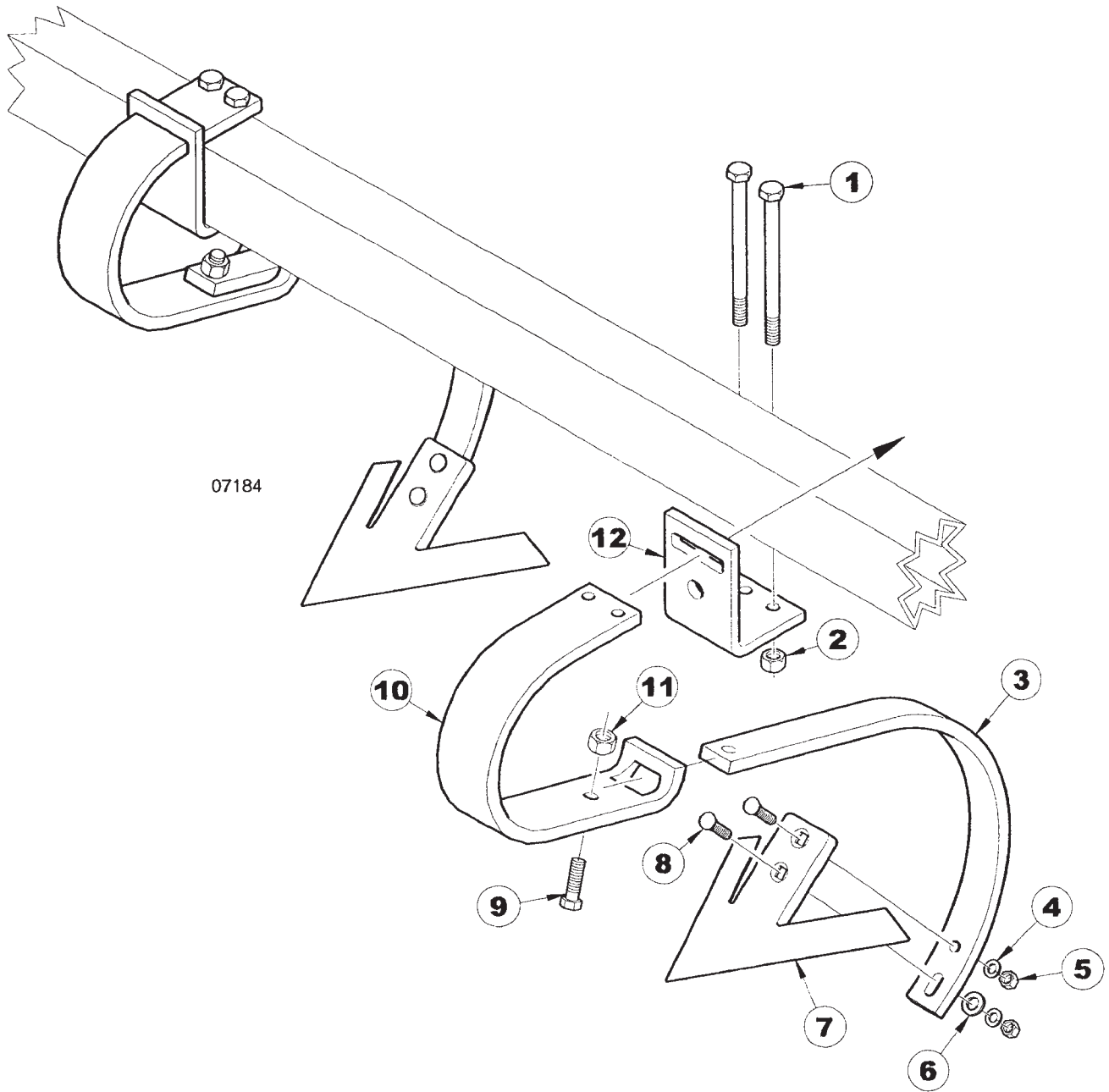
SPRING SHANK ASSEMBLY

ITEM	NUMBER	QTY	DESCRIPTION
1	SN2097		HEX BOLT, 5/8"-11 X 5 1/2",GR 5, Y/D
2	SN669-1		LOCK NUT, 5/8" HEX NYLON INSERT, GR 5, Y/D
3	SN10603		MOUNT, UPPER SHANK
4	SN3949		CARRIAGE BOLT, 5/8" X 4 1/4", Y/D,
5	SN3790		HEX BOLT, 9/16"-12 X 1 3/4", GR 8,Y/D
6	SN5711		BUSHING, CLAMP
7	SN156		HEX BOLT, 1/2"-13 X 3", GR 5 Y/D
8	SN3757		LOCK NUT, 9/16"-12 HEX NYLON INSERT, GR 8, PLATED
9	SN12231		SHANK, 5/8" X 1 3/4" FLAT
10	SN2096		LOCK NUT, 1/2"-13 HEX NYLON INSERT
11	SN3042		SPRING BASE, 5000
12	SN3043		SPRING, 5000
13	SN3041		THREADED SPRING PLUG, 5000
14	SN3044B		SPRING ASSEMBLY, 5000 (11-13)
15	SN10820		HEX BOLT, 1/2"-13 X 4" ALL THD GR 5,Y/D
16	SN3048		SWEEP, 10" PLAIN (47 DEG)
17	SN3050		PLOW BOLT, 7/16"-14 X 1 1/2", GR 5, Y/D
18	SN305		FLAT WASHER, 7/16", Y/D
19	SN302		LOCKWASHER,7/16" SPLIT TYPE MED,Y/D
20	SN303		HEX NUT, 7/16"-14 FULL, GR 2, Y/D
21	SN10604		SHANK HOLDER
22	SN5810		WASHER, 1 5/16" OD X 11/16" ID.149" THICK, HARDENED, Y/D
23	SN6642		BUSHING, 1 1/8" OD X.887" ID 2 3/8" L (HARD) SPRING
	SN12256		SPRING SHANK ASSEMBLY (ITEMS 1-10, 14, 15, 21-23)

I0007092
PR: t05g29h00b0017

6433 SPLIT WING LAND FINISHER
SERVICE PARTS

S-TINE SHANK ASSEMBLY (2 PIECE)



6433 SPLIT WING LAND FINISHER
SERVICE PARTS

41

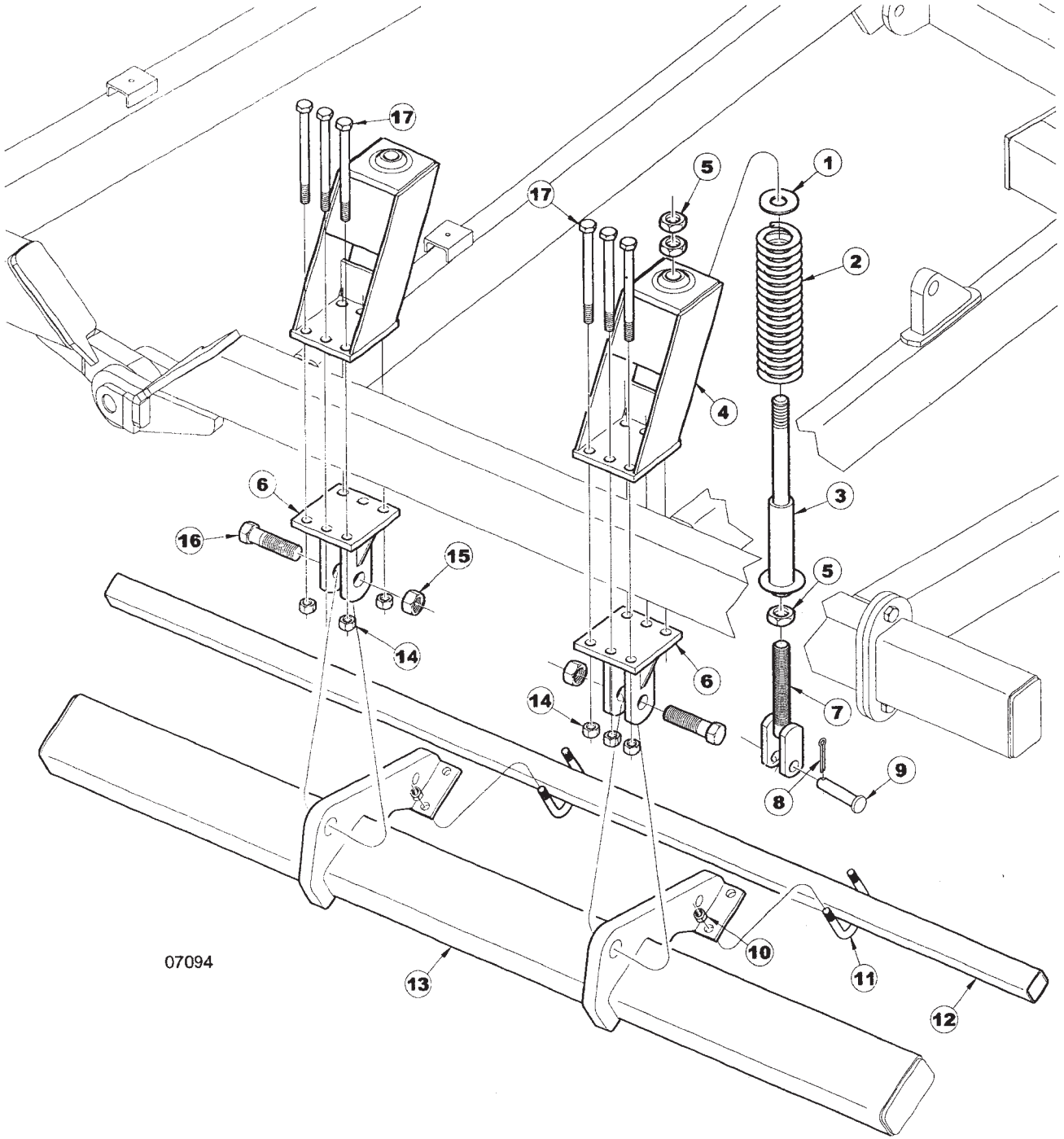
S-TINE SHANK ASSEMBLY (2 PIECE)

ITEM	NUMBER	QTY	DESCRIPTION
1	SN329		HEX BOLT, 1/2"-13 X 6"
2	SN2096		LOCK NUT, 1/2"-13 HEX NYLON INSERT
3	SN12257		SHANK, 5/8" X 1 3/4" X 24", FLAT
4	SN302		LOCKWASHER, 7/16" SPLIT TYPE MED, Y/D
5	SN303		HEX NUT, 7/16"-14 FULL, GR 2, Y/D
6	SN305		FLAT WASHER, 7/16", Y/D
7	SN3048		SWEEP, 10" PLAIN (47 DEG)
8	SN3050		PLOW BOLT, 7/16"-14 X 1 1/2", GR 5, Y/D
9	SN7530		HEX BOLT, 5/8"-11 X 2 1/4" GR 5, Y/D
10	SN7453		SPRING CLAMP, S-TINE
11	SN669-1		LOCK NUT, 5/8" HEX NYLON INSERT, GR 5, Y/D
12	SN7528B		S-TINE CLAMP
	SN12375		SHANK ASSY, S-TINE 2 PIECE (ITEMS 1-3 & 9-12)

I0007184
PR: t05g29h00b0018

6433 SPLIT WING LAND FINISHER
SERVICE PARTS

STANDARD GANG BAR MOUNT ASSEMBLY



07094

6433 SPLIT WING LAND FINISHER
SERVICE PARTS

43

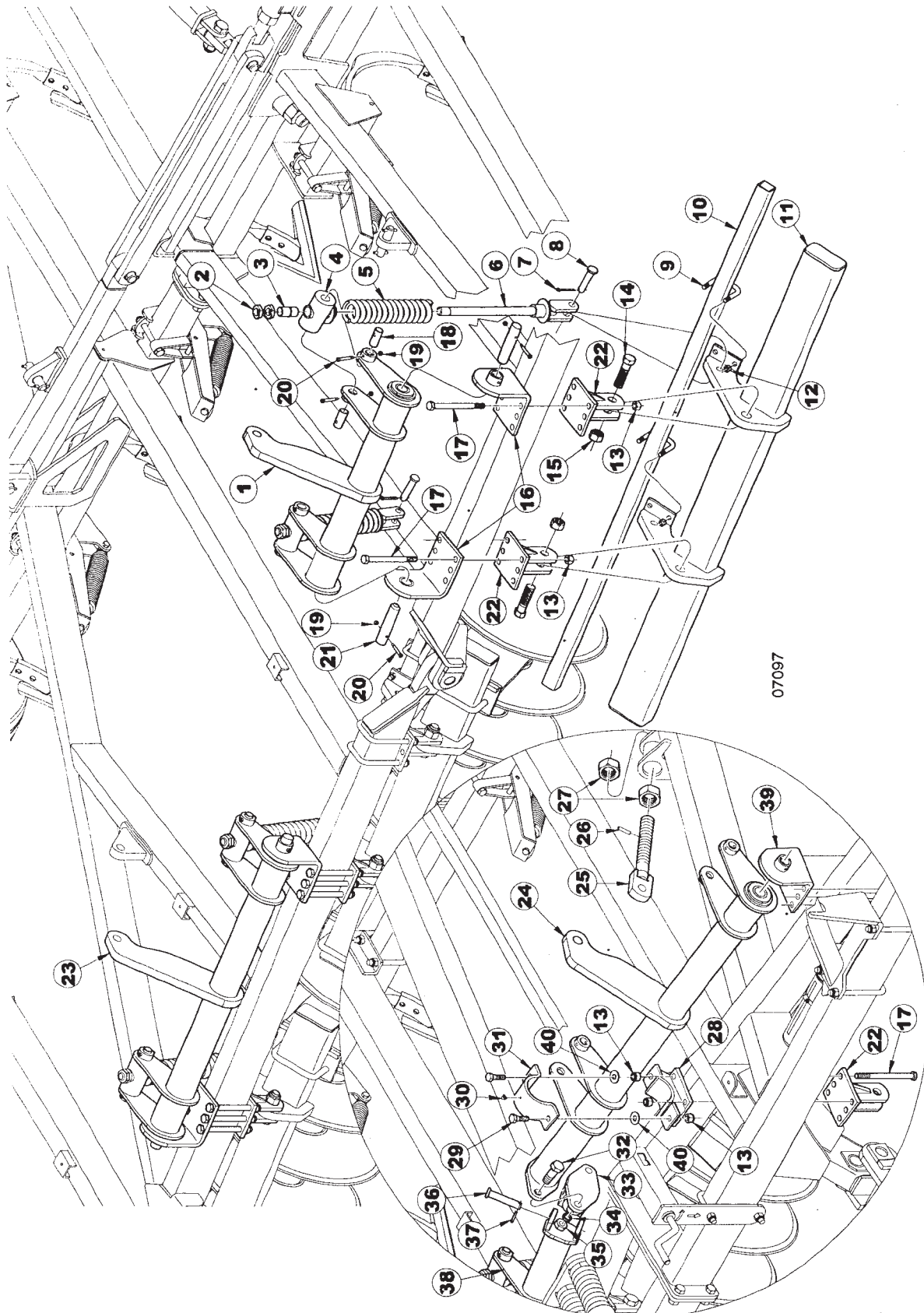
STANDARD GANG BAR MOUNT ASSEMBLY

ITEM	NUMBER QTY	DESCRIPTION
1	SN245	FLAT WASHER, 1" WIDE RIM, Y/D
2	SN3335	SPRING
3	SN3336	SPRING ADJUSTMENT SCREW, 6000
4	SN3334	GANG BAR SPRING MOUNT
5	SN1849	JAM NUT, 1"-8 HEX, GR 2, Y/D
6	SN3333	GANG BAR MOUNT, 6000
7	SN3337	GANG BAR THREADED CLEVIS, Y/D
8	SN1609	COTTER PIN, 3/16" X 1 1/2"
9	SN3370	PIN, 3/4" X 2 1/2" (2 1/8") SPCL,
10	SN2096	LOCK NUT, 1/2"-13 HEX NYLON INSERT
11	SN3199	U-BOLT, 1/2"-13 X 3" X 2 3/4" W, GR 5, Y/D
12	SN12246R	SCRAPER BAR, 73", 1 3/4" SQUARE
	SN3207	SCRAPER BAR, 51", 1 3/4"
	SN3208	SCRAPER BAR, 59 1/2", 1 3/4" SQUARE
13	SN12252R	GANG BAR, 66 1/2" LEFT OUTER
	SN12248R	GANG BAR, 45 3/8" LEFT INNER
	SN12250R	GANG BAR, 68 1/4" LEFT CENTER
	SN12249R	GANG BAR, 68 1/4" RIGHT CENTER
	SN12247R	GANG BAR, 45 3/8" RIGHT INNER
	SN12251R	GANG BAR, 66 1/2" RIGHT OUTER
	SN12259R	GANG BAR, 51 1/2" LEFT OUTER
	SN12258R	GANG BAR, 51 1/2" RIGHT OUTER
14	SN669-1	LOCK NUT, 5/8" HEX NYLON INSERT, GR 5, Y/D
15	SN3938	LOCK NUT, 1"-8 HEX NYLON INSERT, GR2,Y/D
16	SN155	HEX BOLT, 1"-8 X 3 1/2", GR 5 Y/D
17	SN2558	HEX BOLT, 5/8"-11 X 7", GR5, Y/D (WINGS)
	SN2570	HEX BOLT, 5/8"-11 X 8", GR5 Y/D (CENTER)

I0007094
PR: t05g29h00b0019

6433 SPLIT WING LAND FINISHER
SERVICE PARTS

HYDRAULIC DISC GANG ASSEMBLY



**6433 SPLIT WING LAND FINISHER
SERVICE PARTS**

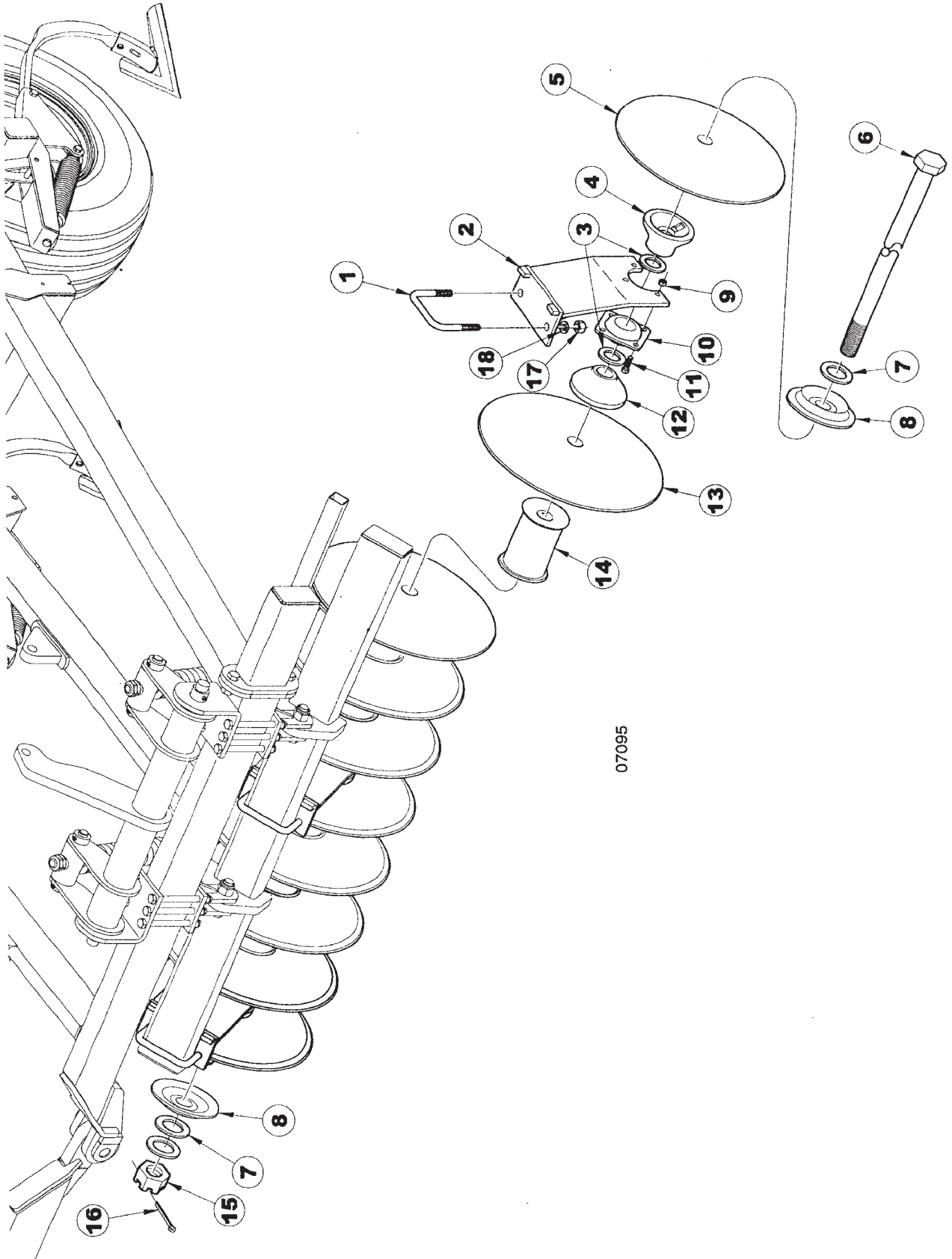
45

HYDRAULIC DISC GANG ASSEMBLY

ITEM	NUMBER	QTY	DESCRIPTION
1	SN12262R		LIFT, WING 40' & 43' RT/LT OUTER HYDGANG
2	SN1849		JAM NUT, 1"-8 HEX, GR 2, Y/D
3	SN12328		BUSHING, 1" ID, IGUS
4	SN12330R		SPRING TUBE
5	SN3335		SPRING
6	SN12329		SPRING ROD, Y/D
7	SN1609		COTTER PIN, 3/16" X 1 1/2"
8	SN3370		PIN, 3/4" X 2 1/2" (2 1/8") SPCL,
9	SN3199		U-BOLT, 1/2"-13 X 3" X 2 3/4" W, GR 5, Y/D
10	SN12246R		SCRAPER BAR, 73", 1 3/4" SQUARE
	SN3207		SCRAPER BAR, 51", 1 3/4"
	SN3208		SCRAPER BAR, 59 1/2", 1 3/4" SQUARE
11	SN12252R		GANG BAR, 66 1/2" LEFT OUTER
	SN12248R		GANG BAR, 45 3/8" LEFT INNER
	SN12250R		GANG BAR, 68 1/4" LEFT CENTER
	SN12249R		GANG BAR, 68 1/4" RIGHT CENTER
	SN12247R		GANG BAR, 45 3/8" RIGHT INNER
	SN12251R		GANG BAR, 66 1/2" RIGHT OUTER
	SN12259R		GANG BAR, 51 1/2" LEFT OUTER
	SN12258R		GANG BAR, 51 1/2" RIGHT OUTER
12	SN2096		LOCK NUT, 1/2"-13 HEX NYLON INSERT
13	SN669-1		LOCK NUT, 5/8" HEX NYLON INSERT, GR 5, Y/D
14	SN155		HEX BOLT, 1"-8 X 3 1/2", GR 5 Y/D
15	SN3938		LOCK NUT, 1"-8 HEX NYLON INSERT, GR2,Y/D
16	SN12266		MOUNT, BEARING 4 3/8", HYD LIFT
17	SN2558		HEX BOLT, 5/8"-11 X 7", GR5, Y/D (WINGS)
	SN2570		HEX BOLT, 5/8"-11 X 8", GR5 Y/D (CENTER)
18	SN3161		PIN, 1" X 2 1/4" (1 9/16"), Y/D
19	SN3881		LOCK NUT, 1/4"-20 HEX NYLON INSERT, GR 2, Y/D
20	SN3880		SHOULDER BOLT, 5/16" X 1 3/4", GR8 EQUIV
21	SN5942		PIN, 1 1/4" X 5 3/8"
22	SN3333		GANG BAR MOUNT, 6000
23	SN12263R		LIFT, WING 40' & 43' RT/LT INNER HYDGANG
24	SN12265R		LIFT, CENTER 40' & 43' LEFT HYD GANG
25	SN12347		CYLINDER, ADJUSTABLE BLOCK, Y/D
26	SN4623		GUIDE PIN, Y/D
27	SN1978		HEX NUT, 1 1/2"-6 FULL, GR 2, Y/D
28	SN5476		BEARING MOUNT
29	SN670		HEX BOLT, 5/8"-11 X 2", GR 5, Y/D
30	SNZK142890		GREASE ZERK, 1/4"-28 90 DEG
31	SN5487		BEARING CAP
32	SN1220		HEX BOLT, 3/4"-10 X 2", GR 5 Y/D
33	SN12261R		PIVOT BLOCK
34	SN1040		LOCK WASHER,3/4" SPLIT TYPE MED,Y/D
35	SN106		HEX NUT, 3/4"-10 FULL, GR 5, Y/D
36	SN1813		PIN, 1" X 5" (4 1/2") CLEVIS, Y/D
37	SN3164		ROLL PIN, 5/16" X 2" SPIRAL MEDIUM DUTY, Y/D
38	SN12264R		LIFT, CENTER 40' & 43'RIGHT HYD GANG
39	SN7469		BEARING MOUNT, HYD LIFT
40	SNFK150283		FLAT WASHER, 5/8" SAE, Y/D

I0007097
PR: t05g29h00b0020

DISC GANG ASSEMBLY



07095

**6433 SPLIT WING LAND FINISHER
SERVICE PARTS**

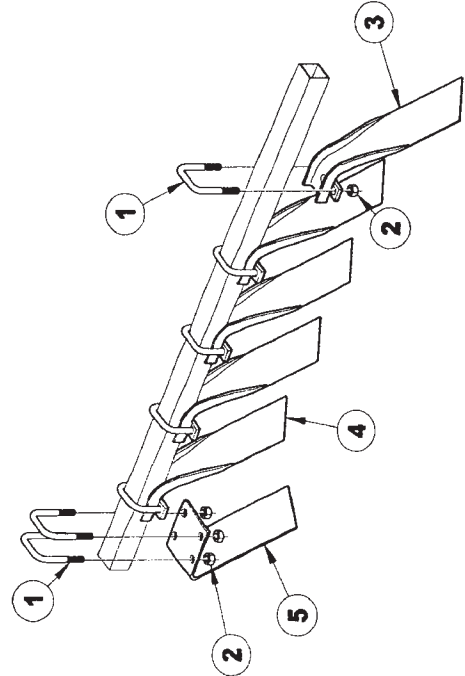
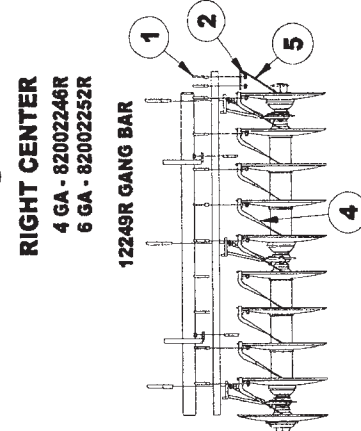
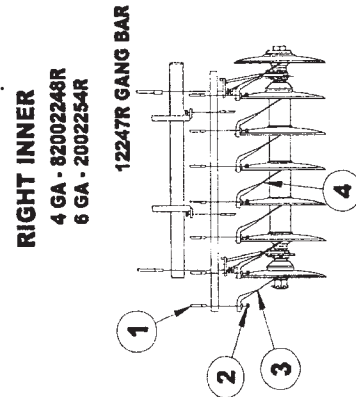
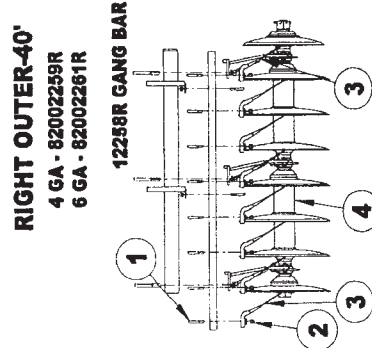
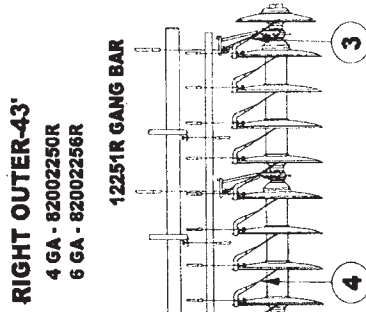
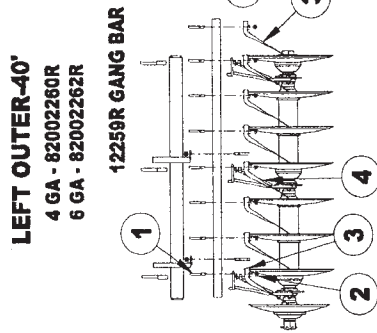
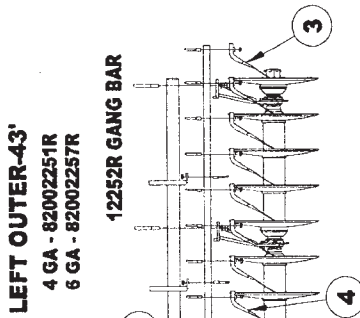
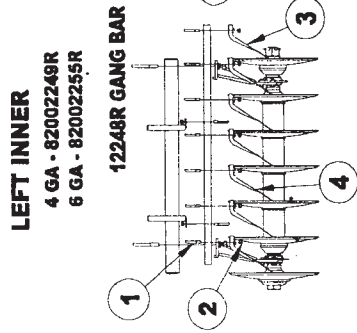
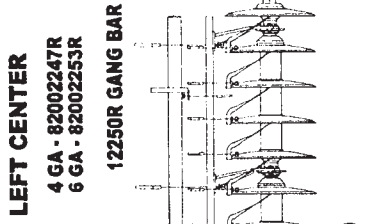
47

DISC GANG ASSEMBLY

ITEM	NUMBER	QTY	DESCRIPTION
1	SN2563		U-BOLT, 3/4"-10 X 5" X 5 13/16" W, GR 5, Y/D
2	SN2528-1		BEARING STANDARD (WELDED)
3	SN4886		WASHER, 1.765" ID X 2 1/4" OD X 1/16" THICK, Y/D
4	SN3107		SPOOL, LONG BEARING, 7 1/2"
5	SN3283N		BLADE, 18", 1 3/4" BORE, 4 GA, 1 3/4" CONCAVITY
6	SN2132		SHAFT, 74", 1 3/4" DIA
	SN2866		SHAFT, 51 1/4", 1 3/4" DIA
	SN3004		SHAFT, 73 1/2", 1 3/4" DIA
	SN3942		SHAFT, 51 3/4", 1 3/4" DIA
	SN3945		SHAFT, 59 1/2", 1 3/4" DIA
	SN5558		SHAFT, 59", 1 3/4" DIA
7	SN2037		FLAT WASHER, 1 13/16" ID X 2 13/16" OD X 1/4" THICK, Y/D
8	SN2723B		SPRING END COLLAR, 1 3/4" BORE
9	SN2096		LOCK NUT, 1/2"-13 HEX NYLON INSERT
10	SN3215		FLANGETTE BEARING, 1 3/4" BORE
11	SN194		HEX BOLT, 1/2"-13 X 1 1/2", GR 5, Y/D, USA
12	SN2816		SPOOL, SHORT BEARING, 1 3/4" BORE
13	SN4661N		BLADE, 20", 1 3/4" BORE, 6 GA, 1 5/16" CONCAVITY
	SN4662N		BLADE, 20", 1 3/4" BORE, 4 GA, 1 5/16" CONCAVITY
14	SN5539		SPOOL, FULL, 7 1/2"
15	SN2036		HEX NUT, 1 3/4"-5 SLOTTED
16	SN108		COTTER PIN, 5/16" X 2 1/2", Y/D
17	SN106		HEX NUT, 3/4"-10 FULL, GR 5, Y/D
18	SN1040		LOCK WASHER, 3/4" SPLIT TYPE MED, Y/D

I0007095
PR: t05g29h00b0021

SCRAPER ASSEMBLY



**NOTE: POSITION SCRAPER BLADES
NEXT TO DISC BLADES AS
CLOSE AS POSSIBLE
WITHOUT TOUCHING**

6433 SPLIT WING LAND FINISHER
SERVICE PARTS

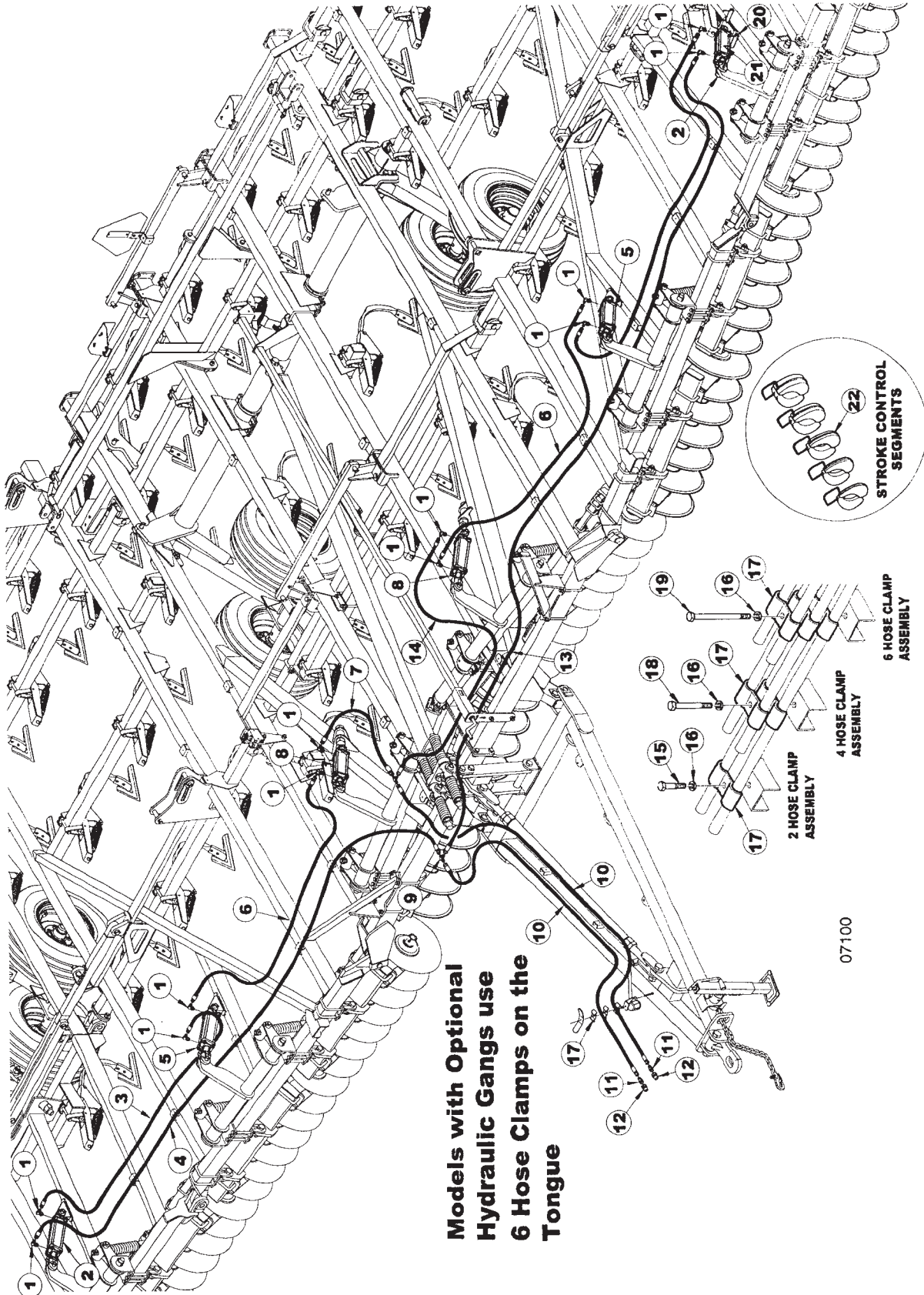
49

SCRAPER ASSEMBLY

ITEM	NUMBER	QTY	DESCRIPTION
1	SN3199		U-BOLT, 1/2"-13 X 3" X 2 3/4" W, GR 5, Y/D
2	SN2096		LOCK NUT, 1/2"-13 HEX NYLON INSERT
3	SN5488		SCRAPER W/SCRAPER CLIP, RIGHT
	SN5489		SCRAPER W/SCRAPER CLIP, LEFT (SHOWN)
4	SN3195		SCRAPER W/SCRAPER CLIP, RIGHT
	SN3196		SCRAPER W/SCRAPER CLIP, LEFT (SHOWN)
5	SN5467		SCRAPER, RIGHT
	SN5468		SCRAPER, LEFT (SHOWN)

I0007096
PR: t05g29h00b0022

HYDRAULIC DISC GANG HYDRAULICS ASSEMBLY



Models with Optional Hydraulic Gangs use 6 Hose Clamps on the Tongue

07100

6433 SPLIT WING LAND FINISHER

51

SERVICE PARTS

HYDRAULIC DISC GANG HYDRAULICS ASSEMBLY

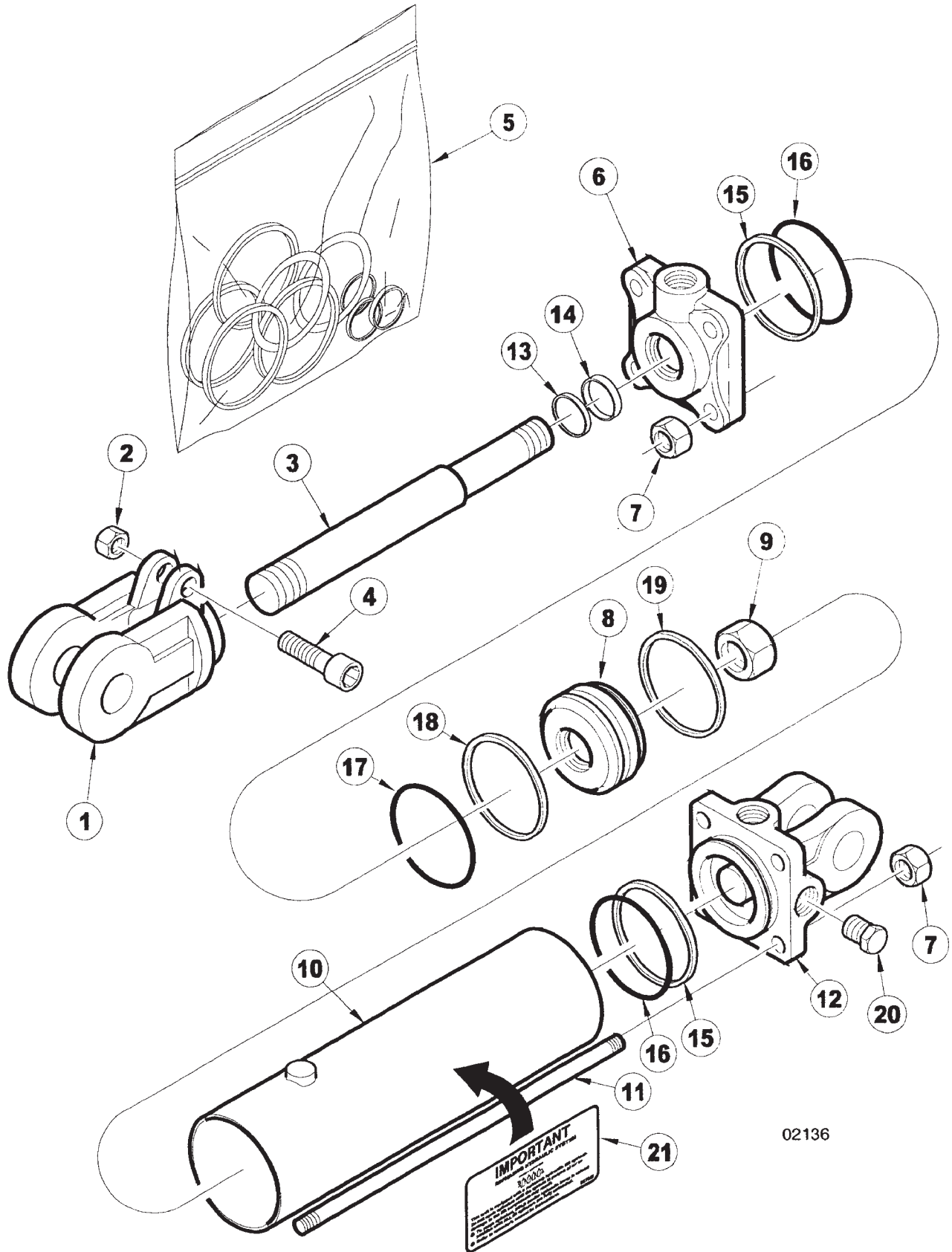
ITEM	NUMBER	QTY	DESCRIPTION
1	SN4455		90 DEG STR THD ELBOW, 3/4"-16 MF X 3/4"-16 MOR W/1/16" REST
2	SN12061		CYLINDER, 3 1/2" X 8" SLAVE (20 1/4"CPC) ORB CROSS, 3000 PSI
3	SN4109002		HOSE, 3/8" X 109" L, FEMALE ENDS
4	SN4215002		HOSE, 3/8" X 215" L, FEMALE ENDS
5	SN12059		CYLINDER, 3 3/4" X 8" SLAVE (20 1/4"CPC) ORB CROSS, 3000 PSI
6	SN4102002		HOSE, 3/8" X 102" L, FEMALE ENDS
7	SN4036002		HOSE, 3/8" X 36" L, FEMALE ENDS
8	SN12047		CYLINDER, 4" X 8" MASTER W/O STR CON (20 1/4" CPC) ORB CROSS, 3000
9	SN2429		UNION TEE, 3/4"-16 MF
10	SN4176002		HOSE, 3/8" X 176" L, FEMALE ENDS
11	SN2425		MALE CONNECTOR, 3/4"-16 MF X 1/2-14 MPT
12	SN3253		HYDRAULIC COUPLER, MALE HALF
13	SN4260002		HOSE, 3/8" X 260" L, FEMALE ENDS
14	SN4086002		HOSE, 3/8" X 86" L, FEMALE ENDS
15	SN175		HEX BOLT, 3/8"-16 X 1 1/2", GR 5, Y/D
16	SN176		LOCK WASHER, 3/8" SPLIT TYPE MED, Y/D
17	SN5302		PIPE CLAMP, 3/8" BOLT HOLE, Y/D
18	SN2487		HEX BOLT, 3/8"-16 X 2 1/2", GR 5, Y/D
19	SN3565		HEX BOLT, 3/8"-16 X 3 1/2", GR 5, Y/D
20	SN5339		PIN, 1" X 4 1/16" (3"), Y/D
21	SN3164		ROLL PIN, 5/16" X 2" SPIRAL MEDIUM DUTY, Y/D
22	SN3451		STROKE CONTROL KIT, (1/4", 3/8" 1/2", 3/4", 1")

I0007100

PR: t05g29h00b0023

6433 SPLIT WING LAND FINISHER
SERVICE PARTS

3 3/4" X 8" HYDRAULIC CYLINDER 12059R



02136

6433 SPLIT WING LAND FINISHER
SERVICE PARTS

53

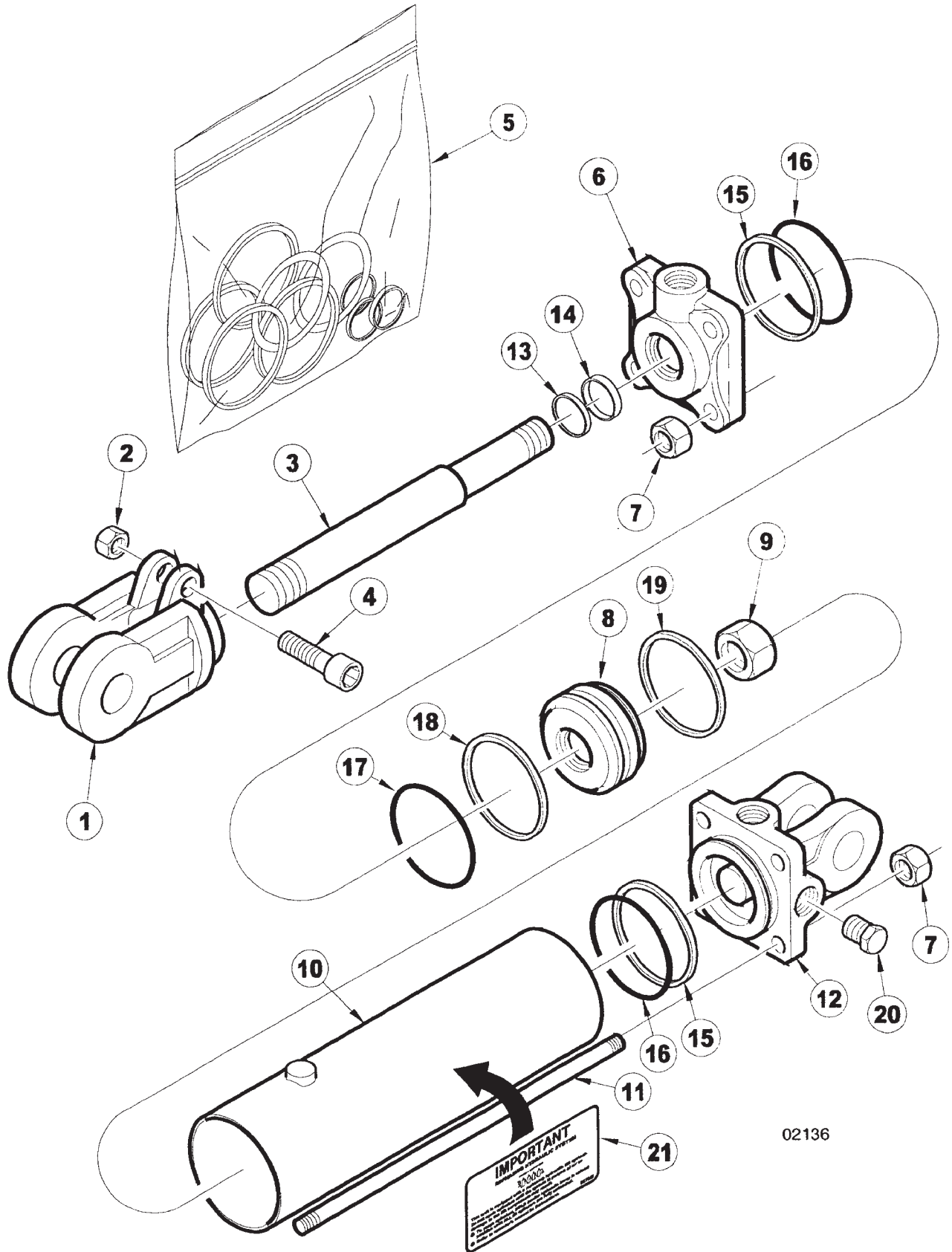
3 3/4" X 8" HYDRAULIC CYLINDER 12059R

ITEM	NUMBER	QTY	DESCRIPTION
1	SN8610-1		CLEVIS, 1 1/4" THREADS, 1" PIN W/BUSHING CROSS
2	SN8671-1		CAPSCREW NUT, 5/16" THREADS CROSS
3	SN12055		ROD, 1 3/8" DIA, 8" REPHASING, CROSS
4	SN8631-1		CAPSCREW, CROSS
5	SN8776-1		SEAL KIT, 3 3/4", 1 3/8" ROD, REPHASING CROSS
6	SN8736-10		HEAD, 3 3/4", 1 3/8" ROD
7	SN8864-1		TIE ROD NUT, 5/8" THREADS
8	SN8655-1		PISTON, 3 3/4" W/1" HOLE REPHASING,CROSS
9	SN8683-1		PISTON NUT, 1" CROSS
10	SN8827-1		TUBE, 3 3/4" X 8" REPHASING CROSS E
11	SN12033		TIE ROD BOLT, 8" CROSS
12	SN8656-10		BASE, 3 3/4" (ORB), 1" PIN REPHASING, CROSS
13			* WIPER
14			* U-CUP
15			* BACKUP
16			* O-RING
17			* O-RING
18			* TEFLON RING
19			* WEAR RING
20	SN4458		PLUG, 3/4"-16 MOR
21	SN997052		SYSTEMS MUST BE BLED OF AIR NOTE*AVAILABLE IN THE SEAL KIT ONLY.

I0002136
PR: t05g29h00b0024

6433 SPLIT WING LAND FINISHER
SERVICE PARTS

4" X 8" HYDRAULIC CYLINDER 12047R



6433 SPLIT WING LAND FINISHER
SERVICE PARTS

55

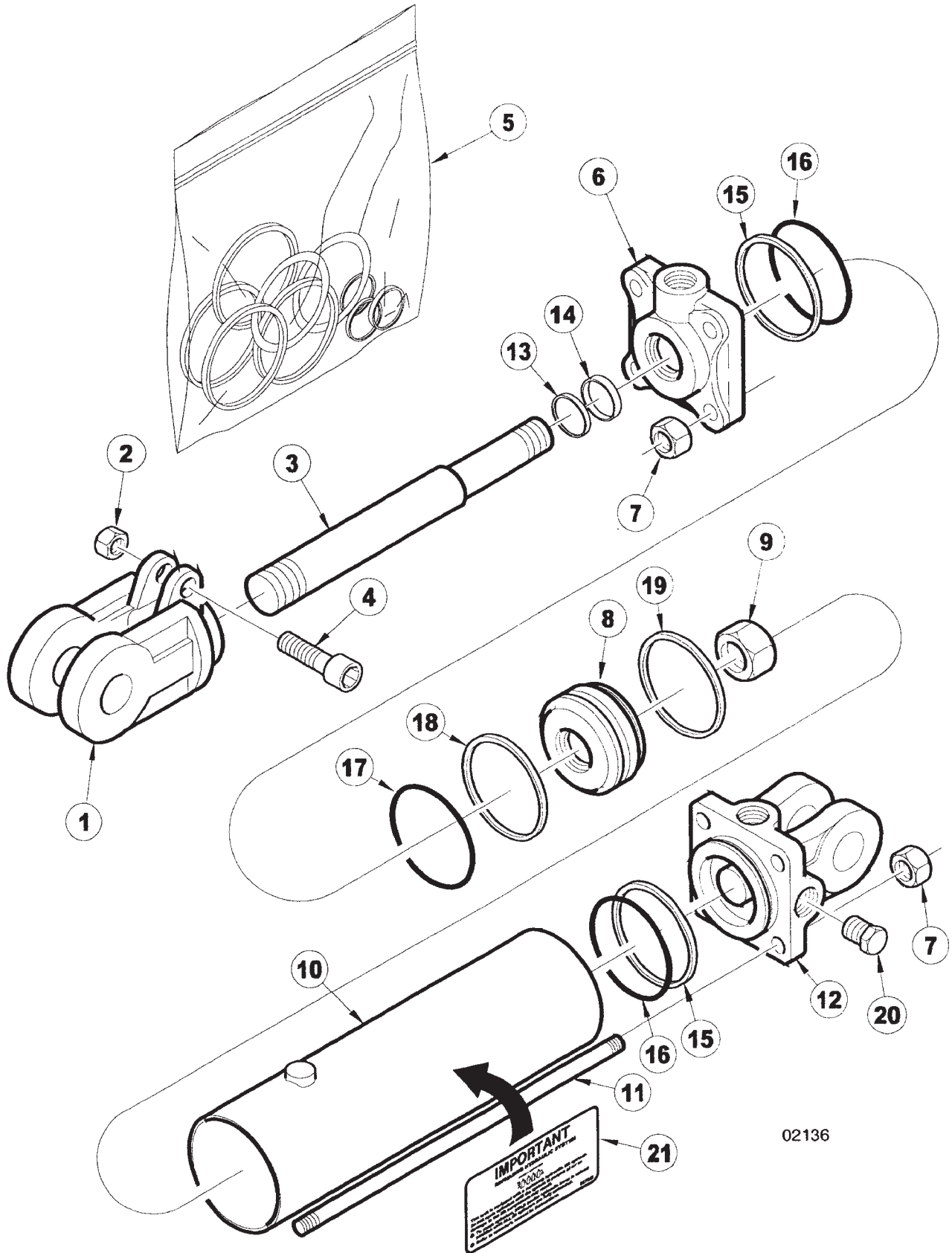
4" X 8" HYDRAULIC CYLINDER 12047R

ITEM	NUMBER	QTY	DESCRIPTION
1	SN8610-1		CLEVIS, 1 1/4" THREADS, 1" PIN W/BUSHING CROSS
2	SN8671-1		CAPSCREW NUT, 5/16" THREADS CROSS
3	SN12055		ROD, 1 3/8" DIA, 8" REPHASING, CROSS
4	SN8631-1		CAPSCREW, CROSS
5	SN8781-1		SEAL KIT, 4", 1 3/8" ROD
6	SN8739-10		HEAD, 4" 1 3/8" ROD, REPHASING CROSS
7	SN8864-1		TIE ROD NUT, 5/8" THREADS
8	SN8653-1		PISTON, 4" W/1" HOLE, REPHASING CROSS
9	SN8683-1		PISTON NUT, 1" CROSS
10	SN8830-1		TUBE, 4" X 8" REPHASING CROSS
11	SN12033		TIE ROD BOLT, 8" CROSS
12	SN8670-10		BASE, 4" (ORB) CROSS
13			* WIPER
14			* U-CUP
15			* BACKUP
16			* O-RING
17			* O-RING
18			* TEFLON RING
19			* WEAR RING
20	SN4458		PLUG, 3/4"-16 MOR
21	SN997052		SYSTEMS MUST BE BLED OF AIR NOTE*AVAILABLE IN THE SEAL KIT ONLY.

I0002136
PR: t05g29h00b0025

6433 SPLIT WING LAND FINISHER
SERVICE PARTS

3 1/2" X 8" HYDRAULIC CYLINDER 12061R



02136

6433 SPLIT WING LAND FINISHER
SERVICE PARTS

57

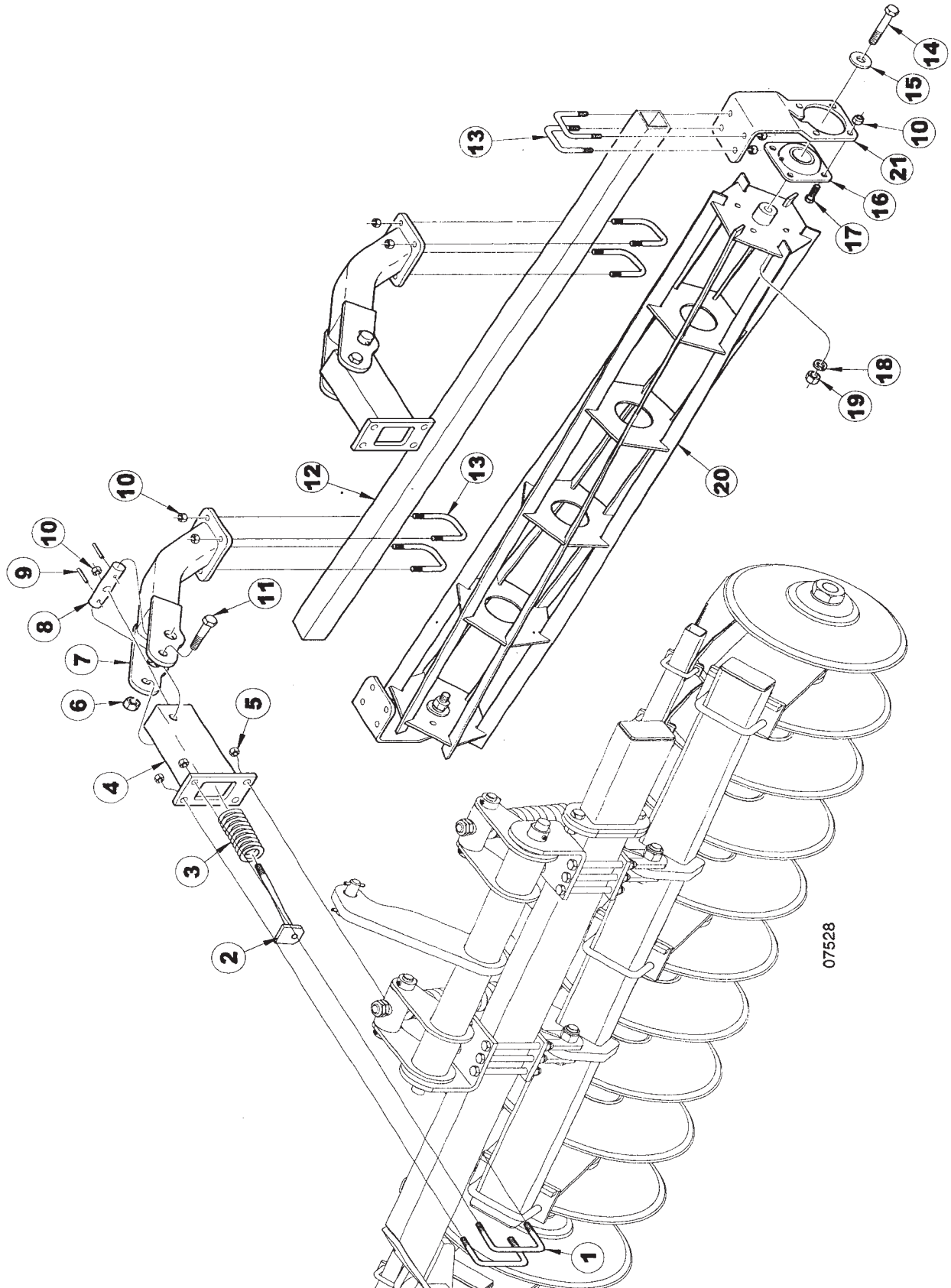
3 1/2" X 8" HYDRAULIC CYLINDER 12061R

ITEM	NUMBER	QTY	DESCRIPTION
1	SN8610-1		CLEVIS, 1 1/4" THREADS, 1" PIN W/BUSHING CROSS
2	SN8671-1		CAPSCREW NUT, 5/16" THREADS CROSS
3	SN12062		ROD, 1 1/4" DIA, 8" REPHASING CROSS
4	SN8631-1		CAPSCREW, CROSS
5	SN8775-1		SEAL KIT, 3 1/2", 1 1/4" ROD, REPHASING CROSS
6	SN8657-10		HEAD, 3 1/2", 1 1/4" ROD REPHASING, CROSS (ORB)
7	SN8863-1		TIE ROD NUT, 9/16" THREADS CROSS ING CROSS
8	SN8660-1		PISTON, 3 1/2" W/1" HOLE REPHASING,CROSS
9	SN8683-1		PISTON NUT, 1" CROSS
10	SN12063		TUBE, 3 1/2" X 8" REPHASING CROSS
11	SN12064		TIE ROD BOLT, 3 1/2" X 8" CROSS
12	SN8927-10		BASE, 3 1/2" (ORB 1" PIN) REPHASING, CROSS
13			* WIPER
14			* U-CUP
15			* BACKUP
16			* O-RING
17			* O-RING
18			* TEFLON RING
19			* WEAR RING
20	SN4458		PLUG, 3/4"-16 MOR
21	SN997052		SYSTEMS MUST BE BLED OF AIR NOTE*AVAILABLE IN THE SEAL KIT ONLY.

I0002136
PR: t05g29h00b0026

6433 SPLIT WING LAND FINISHER
SERVICE PARTS

DISC GANG REEL ASSEMBLY



07528

**6433 SPLIT WING LAND FINISHER
SERVICE PARTS**

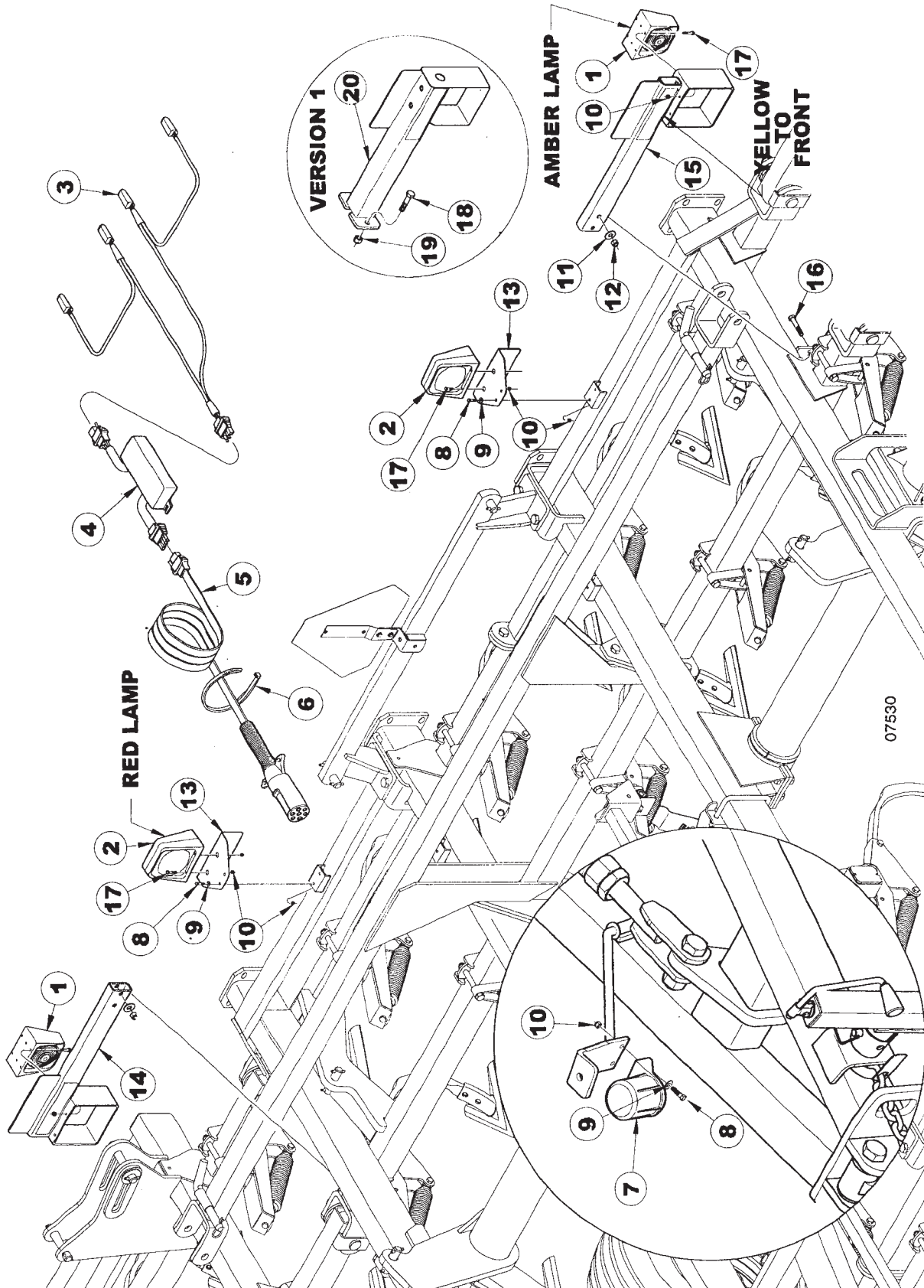
59

DISC GANG REEL ASSEMBLY

ITEM	NUMBER	QTY	DESCRIPTION
1	SN2815		U-BOLT, 5/8"-11 X 4 1/2" X 5 11/16"W, GR 5, Y/D (WINGS)
	SN7053		U-BOLT, 5/8"-11 X 4 1/2" X 6 11/16"W, Y/D (CENTER FRAME)
2	SN7048		SPRING ROD
3	SNFK361002		SPRING, 1.8125" OD X 1.062"ID,2 5/8"
4	SN7051		REEL MOUNT, FOR 5" TUBE (WINGS)
	SN7052		REEL MOUNT, FOR 6" TUBE (CENTER FRAME)
5	SN669-1		LOCK NUT, 5/8" HEX NYLON INSERT, GR 5, Y/D
6	SNHEN3410		LOCK NUT, 3/4" HEX NYLON INSERT, Y/D
7	SN7585		REEL ARM
8	SN7049		PIN, 1 1/4" X 5 1/4" L, Y/D
9	SN3164		ROLL PIN, 5/16" X 2" SPIRAL MEDIUM DUTY, Y/D
10	SN2096		LOCK NUT, 1/2"-13 HEX NYLON INSERT
11	SN1021		HEX BOLT, 3/4"-10 X 5 1/2",GR 5, Y/D
12	SN3643		GANG BAR, 60"
	SN3644		GANG BAR, 75"
	SN12260R		GANG BAR, 97"
13	SN3619		U-BOLT, 1/2"-13 X 3 5/8" X 3" W, GR5,Y/D
14	SN1599		HEX BOLT, 3/4"-10 X 4", GR 5, Y/D
15	SN3613		FLAT WASHER, 7/8" ID X 2 1/8" OD X 1/4" THICK, Y/D
16	SN3215		FLANGETTE BEARING, 1 3/4" BORE
17	SN194		HEX BOLT, 1/2"-13 X 1 1/2",GR 5, Y/D,USA
18	SN1040		LOCK WASHER,3/4" SPLIT TYPE MED,Y/D
19	SN106		HEX NUT, 3/4"-10 FULL, GR 5, Y/D
20	SN10057		REEL, 41 1/4"
	SN10058		REEL, 48 3/4"
	SN10059B		REEL, 56 1/4"
	SN10061		REEL, 71 1/4"
21	SN140		HEX BOLT, 1/2"-13 X 4 1/2", GR 5,Y/D
22	SN9917		BEARING STANDARD

I0007528
PR: t05g29h00b0027

LIGHT KIT ASSEMBLY



**6433 SPLIT WING LAND FINISHER
SERVICE PARTS**

61

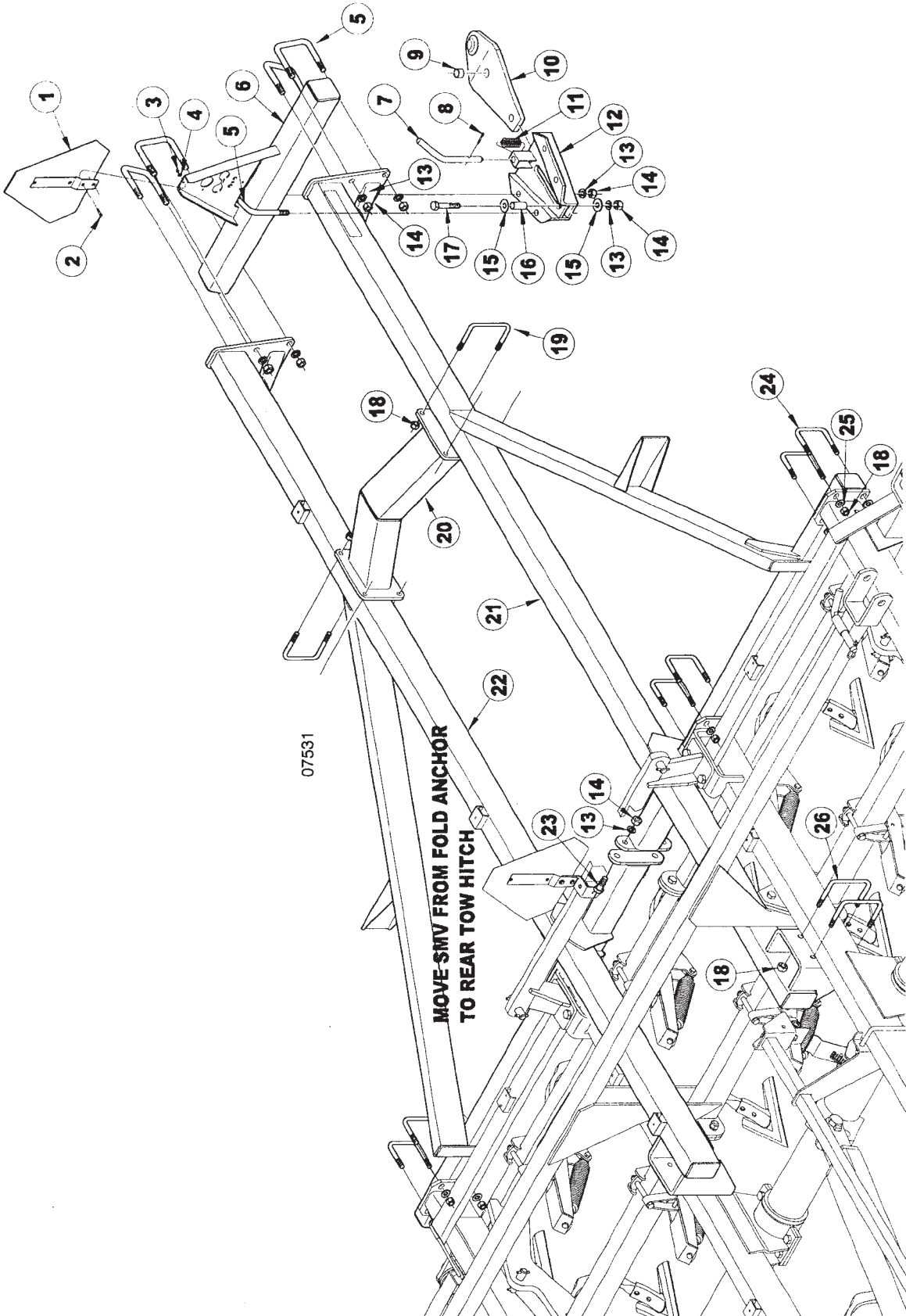
LIGHT KIT ASSEMBLY

ITEM	NUMBER QTY	DESCRIPTION
1	SN10007	LAMP, SINGLE AMBER FRT/REAR
2	SN10486	SINGLE AG LAMP, RED/BLACK W/BRAKE
3	SN10461	HARNESS, AG 8' 6" WISHBONE
4	SN10460	ASSY, AG MODULE
5	SN10394	HARNESS, AG 30' EXTENSION
6	SN2587	PLASTIC HOSE STRAP, 21 1/2" L
7	SN10012	HOLDER, 7-PIN CONNECTOR
8	SN2568	HEX BOLT, 1/4"-20 X 3/4", GR 5 Y/D
9	SN506	FLAT WASHER, 1/4", Y/D
10	SN3881	LOCK NUT, 1/4"-20 HEX NYLON INSERT, GR 2, Y/D
11	SN486	FLAT WASHER, 1/2", Y/D
12	SN669-1	LOCK NUT, 5/8" HEX NYLON INSERT, GR 5, Y/D
13	SN12297	BRACKET, LIGHT
14	SN12481R	ARM, LIGHT RIGHT (VERSION 2, SERIAL #06433L20040018 & LATER)
15	SN12482R	ARM, LIGHT LEFT (VERSION 2, SERIAL #06433L20040018 & LATER)
16	SN670	HEX BOLT, 5/8"-11 X 2", GR 5, Y/D
17	SN2750	HEX BOLT, 1/4"-20 X 1 1/4", GR 2,
18	SN670	HEX BOLT, 5/8"-11 X 2", GR 5, Y/D
19	SN669-1	LOCK NUT, 5/8"-11 HEX NYLON INSERT, GR 5, Y/D
20	SN12339R	ARM, LIGHT LEFT (SHOWN) (VERSION 1, SERIAL #06433L20040017 AND EARLIER)
	SN12338	ARM, LIGHT RIGHT (VERSION 1, SERIAL #06433L20040017 AND EARLIER)
	SN10445	LIGHT KIT W/HARDWARE (ITEMS 1-7)

I0007530
PR: t05g29h00b0028

6433 SPLIT WING LAND FINISHER
SERVICE PARTS

OPTIONAL REAR TOW HITCH W/HITCH SLIDE
& BALL JOINT



6433 SPLIT WING LAND FINISHER
SERVICE PARTS

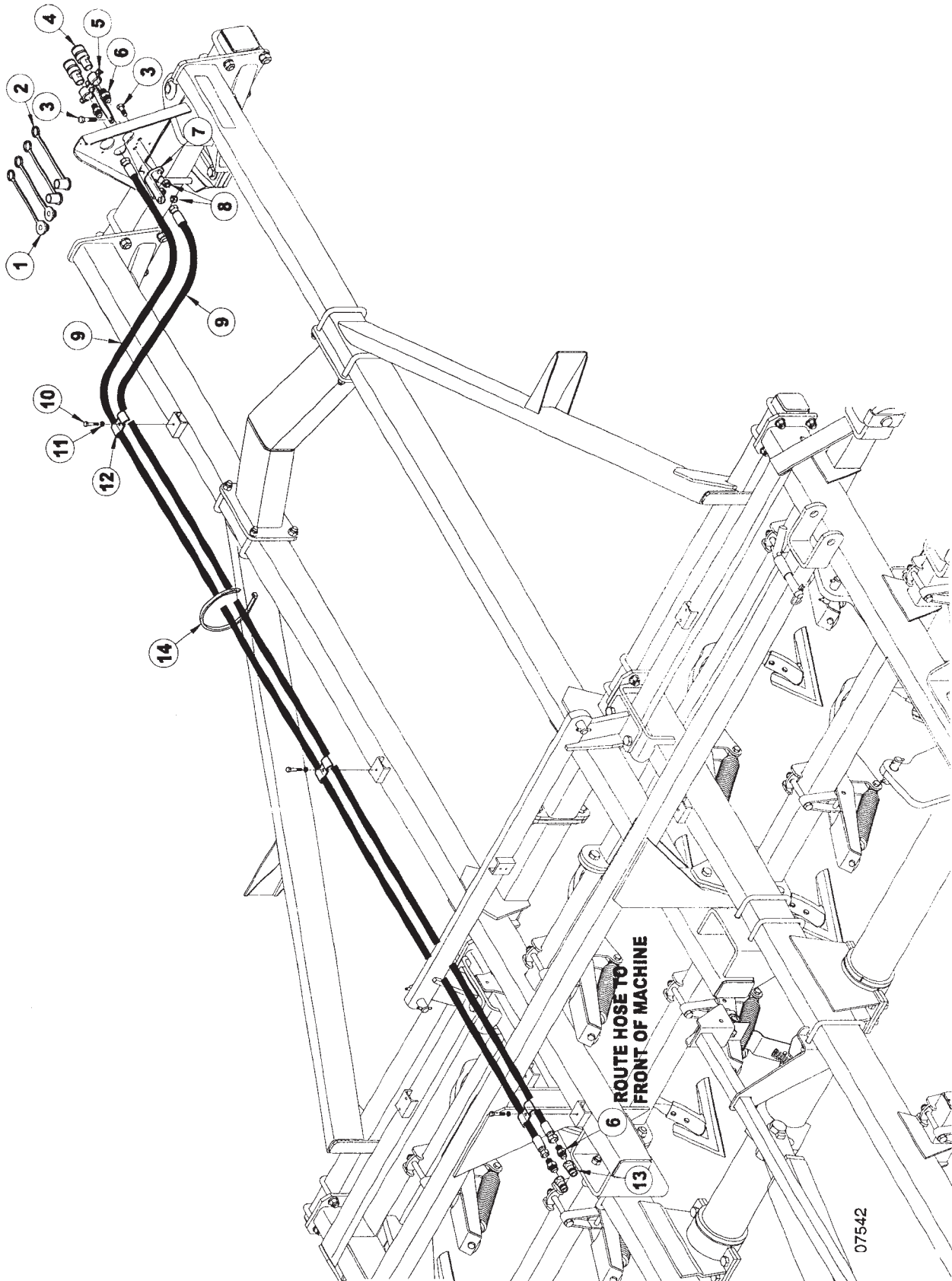
63

**OPTIONAL REAR TOW HITCH W/HITCH SLIDE
& BALL JOINT**

ITEM	NUMBER	QTY	DESCRIPTION
1	SN7001		SMV EMBLEM
2	SN2568		HEX BOLT, 1/4"-20 X 3/4", GR 5 Y/D
3	SN3881		LOCK NUT, 1/4"-20 HEX NYLON INSERT,GR 2, Y/D
4	SN506		FLAT WASHER, 1/4", Y/D
5	SN198		U-BOLT, 3/4"-10 X 5 1/2" X 5" W, GR 5, Y/D
6	SN12611R		HITCH, REAR MOUNT
7	SN3365		PIN, 7/8" SPCL, Y/D
8	SN1609		COTTER PIN, 3/16" X 1 1/2"
9	SN3367		WEAR BUSHING, 1"ID X 1 1/4"OD 3/4" L
10	SN4740		HITCH MOUNT W/BALL JOINT
11	SN3366		HITCH SPRING
12	SN3363		HITCH SLIDE
13	SN1040		LOCK WASHER,3/4" SPLIT TYPE MED,Y/D
14	SN106		HEX NUT, 3/4"-10 FULL, GR 5, Y/D
15	SN893		FLAT WASHER, 3/4" Y/D
16	SN3364		BUSHING, 13/16"ID X 2" L
17	SN105		HEX BOLT, 3/4"-10 X 3 1/2", GR 5,Y/D
18	SN669-1		LOCK NUT, 5/8"-11 HEX NYLON INSERT,
19	SN2815		U-BOLT, 5/8"-11 X 4 1/2" X 5 11/16"W, GR 5, Y/D
20	SN12610R		BRACE, REAR TOW
21	SN12615R		HITCH, REAR TOW, LEFT 34' & 37'
22	SN12614R		HITCH, REAR TOW, RIGHT 34' & 37'
23	SN1220		HEX BOLT, 3/4"-10 X 2", GR 5 Y/D
24	SN3306		U-BOLT, 5/8"-11 X 4 1/2" X 4 5/8" W, GR 5, Y/D
25	SN5810		WASHER, 1 5/16" OD X 11/16" ID .149" THICK, HARDENED, Y/D
26	SN7053		U-BOLT, 5/8"-11 X 4 1/2" X 6 11/16"W, Y/D

I0007531
PR: t05g29h00b0029

OPTIONAL REAR TOW HITCH HYDRAULICS



6433 SPLIT WING LAND FINISHER
SERVICE PARTS

65

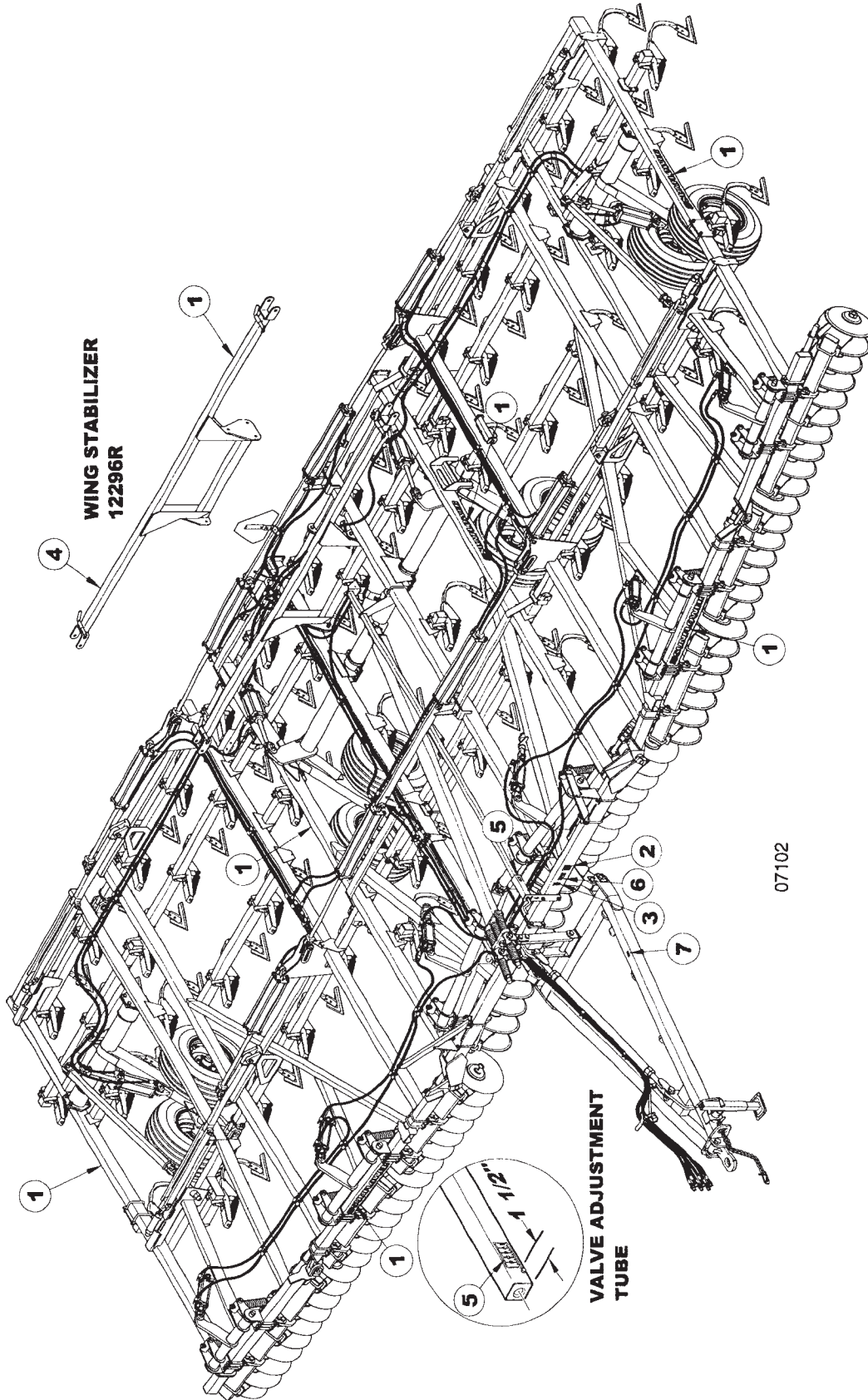
OPTIONAL REARTOW HITCH HYDRAULICS

ITEM	NUMBER	QTY	DESCRIPTION
1	SN10742		HYDRAULIC DUST CAP
2	SN10741		HYDRAULIC DUST PLUG
3	SN1823		HEX BOLT, 1/2"-13 X 1 1/4",GR 5, Y/D
4	SN10739		HYDRAULIC COUPLER, FEMALE THREAD
5	SN10740		HYDRAULIC CLAMP
6	SN2425		MALE CONNECTOR, 3/4"-16 MF X 1/2- 14 MPT
7	SN12609R		MOUNT, HYDRAULIC BREAKAWAY
8	SN2096		LOCK NUT, 1/2"-13 HEX NYLON INSERT, GR 8, Y/D
9	SN4500002		HOSE, 3/8" X 500" L, FEMALE ENDS
10	SN175		HEX BOLT, 3/8"-16 X 1 1/2",GR 5, Y/D
11	SN173		ON COULTER SHANK
12	SN5302		PIPE CLAMP, 3/8" BOLT HOLE, Y/D
13	SN3253		HYDRAULIC COUPLER, MALE HALF
14	SN2587		PLASTIC HOSE STRAP, 21 1/2" L
	SN10738		HYDRAULIC COUPLER BREAKAWAY KIT (ITEMS 1, 2, 4, 5, & 13)

I0007542
PR: t05g29h00b0030

6433 SPLIT WING LAND FINISHER
SERVICE PARTS

DECAL PLACEMENT



**6433 SPLIT WING LAND FINISHER
SERVICE PARTS**

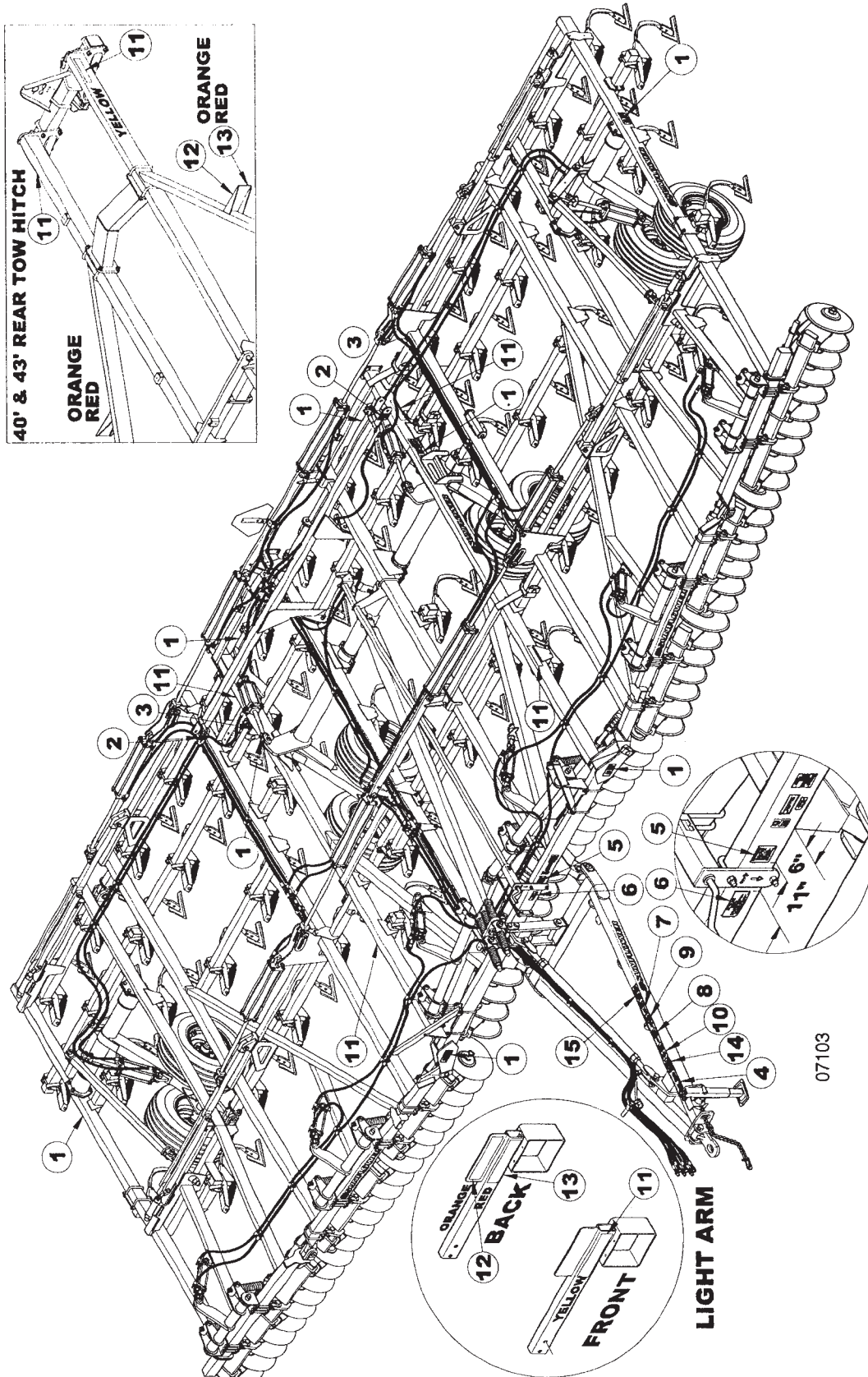
67

DECAL PLACEMENT

ITEM	NUMBER	QTY	DESCRIPTION
1	SN997002		SUNFLOWER DECAL
2	SN997263		DECAL, TILLAGE PROMOTES A
3	SN997246		FEMA DECAL
4	SN997788		DECAL, 6433
5	SN997789		DECAL-GAUGE, STROKE CONTROL
6			SERIAL NUMBER PLATE
7	SN997795		PATENT DECAL, #6,684,962

I0007102
PR: t05g29h00b0031

SAFETY SIGN PLACEMENT



07103

**6433 SPLIT WING LAND FINISHER
SERVICE PARTS**

69

SAFETY SIGN PLACEMENT

ITEM	NUMBER	QTY	DESCRIPTION
1	SN997042		STAY CLEAR OF FOLDING WINGS
2	SN997313		CAUTION - INSTALL LOCK PINS BEFORE TRANSPORTING
3	SN997078		TRANSPORT LOCK INSTALLATION
4	SN997792		DECAL-WARNING, READ OPERATOR'S
5	SN997314		IMPORTANT - TO INSURE EVEN WORKING DEPTH
6	SN997052		SYSTEMS MUST BE BLED OF AIR
7	SN997045		WINGS CAN CONTACT ELECTRIC
8	SN997074		UNHITCHING HAZARD
9	SN997048		FASTEN SAFETY CHAIN
10	SN997311		HIGH PRESSURE FLUID HAZARD
11	SN997663		TAPE, YELLOW REFLECTIVE 2" X 9" L
12	SN997662		TAPE, ORANGE REFLECTIVE 2" X 9" L
13	SN997661		TAPE, RED REFLECTIVE 2" X 9" L
14	SN997793		DECAL-WARNING, LOSS OF CONTROL
15	SN997796		DECAL, INFORMATION, WING FOLDING & UNFOLDING INSTRUCTIONS

I0007103
PR: t05g29h00b0032

**6433 SPLIT WING LAND FINISHER
RECOMMENDED DEALER LIST**

71

RECOMMENDED DEALER STOCK

ITEM	NUMBER	QTY	DESCRIPTION
-	SN10460	1	ASSY, AG MODULE
-	SNFK310062	2	BEARING (JLM506849)
-	SN1935	2	BEARING (LM501349)
-	SN1606	2	BEARING (LM67048)
-	SN1610	1	DUST CAP, 2.448" OD, Y/D
-	SNFK340162	1	DUST CAP, 3.125" OD, Y/D
-	SNFK800384	1	EIGHT BOLT HUB ASSY.
-	SN3215	2	FLANGETTE BEARING, 1 3/4" BORE
-	SN10394	1	HARNESS, AG 30' EXTENSION
-	SN10461	1	HARNESS, AG 8' 6" WISHBONE
-	SN3302	1	HEX NUT, 1"-14 FULL SLOTTED GR 2, PLAIN
-	SN3366	1	HITCH SPRING
-	SN10012	1	HOLDER, 7-PIN CONNECTOR
-	SNFK340167	8	LUG BOLT, 5/8"-18 X 2 1/4"
-	SN3118	6	LUG BOLT, 9/16"-18 X 1 7/8" PRESS IN, PL
-	SNFK340168	8	LUG NUT, 5/8"-18, GR 5, 90 DEG TAPER, Y/D
-	SN3117	6	LUG NUT, 9/16"-18, GR 5, 90 DEG TAPER,
-	SN3365	1	PIN, 7/8" SPCL, Y/D
-	SNFK310063	2	RACE (JLM506810)
-	SN1936	2	RACE (LM501310)
-	SN1605	2	RACE (LM67010)
-	SN7905	1	RELIEF VALVE, 3/4"-16 SAE -1000 PSI
-	SN5489	2	SCRAPER W/SCRAPER CLIP, LEFT
-	SN5488	2	SCRAPER W/SCRAPER CLIP, RIGHT
-	SN5468	2	SCRAPER, LEFT
-	SN5467	2	SCRAPER, RIGHT
-	SN12015	2	SEAL KIT, 3 1/2", 1 1/2" ROD CROSS
-	SN8775-1	2	SEAL KIT, 3 1/2", 1 1/4" ROD, REPHASING
-	SN8776-1	2	SEAL KIT, 3 3/4", 1 3/8" ROD, REPHASING
-	SN8612-1	2	SEAL KIT, 4", 1 1/2" ROD, CROSS
-	SN8781-1	2	SEAL KIT, 4", 1 3/8" ROD
-	SNFK310064	2	SEAL, 8-BOLT
-	SN12231	2	SHANK, 5/8" X 1 3/4" FLAT
-	SN12257	2	SHANK, 5/8" X 1 3/4" X 24", FLAT
-	SN10486	1	SINGLE AG LAMP, RED/BLACK W/BRAKE
-	SN3300	1	SIX BOLT HUB ASSEMBLY W/3301 SEAL
-	SN1937	2	SIX BOLT HUB, STUDED W/CUPS AND
-	SN7001	1	SMV EMBLEM
-	SN3335	1	SPRING
-	SN3044B	1	SPRING ASSEMBLY, 5000 (11-13)
-	SN7453	2	SPRING CLAMP, S-TINE
-	SN7048	1	SPRING ROD
-	SNFK361002	1	SPRING, 1.8125" OD X 1.062"ID, 2 5/8"
-	SN3048	6	SWEEP, 10" PLAIN (47 DEG)
-	SN3301	2	TRIPLE LIP SEAL
-	SN198	2	U-BOLT, 3/4"-10 X 5 1/2" X 5" W, GR 5,
-	SN2563	2	U-BOLT, 3/4"-10 X 5" X 5 13/16" W, GR 5
-	SN3655	2	U-BOLT, 5/8"-11 X 7 1/2" X 3 3/4" W,
-	SN3061	2	WALKING BEAM BEARING (342A)
-	SN3062	2	WALKING BEAM RACE (332)
-	SN3063	2	WALKING BEAM SEAL (NAT.204035 C/R 22870)
-	SNFK340165	1	WASHER, 1 1/16" ID X 2 1/8" OD X 1/4"
-	SN3303	1	WASHER, 1 1/32" ID X 1 3/4"
-	SN4886	2	WASHER, 1.765" ID X 2 1/4" OD X 1/16"

NOTE: THIS PARTS STOCK LIST
INDICATES THOSE ITEMS RECOMMENDED
TO SERVICE ONE UNIT.

RDL
PR: t05g29h00b0033

SWEEP PLOWS

PARTS CATALOG

SUNFLOWER®
3070 Fallow King

RECOMMENDED DEALER LIST

RECOMMENDED DEALER STOCK 85

ROLLING TREADER

REGULAR MOUNTING BRACKET ASSEMBLY 75
REGULAR MOUNTING BRACKET ASSEMBLY WITH DOUBLE MOUNTING HEAD 77
ROLLING TREADER GANG ASSEMBLY 79
STRIPPER ASSEMBLY 81

SERVICE PARTS

SAFETY AND IDENTIFICATION DECALS 25
CENTER FRAME ASSEMBLY 7
CENTER FRAME COULTER ASSEMBLY 67
GAUGE WHEEL ASSEMBLY 23
HYDRAULIC FOLD SYSTEM, LEFT HALF 31
HYDRAULIC FOLD SYSTEM, RIGHT HALF 33
HYDRAULIC LIFT SYSTEM (VERSION 1) 27
HYDRAULIC LIFT SYSTEM (VERSION 2) 29
REAR TOW HITCH ASSEMBLY WITH HITCH SLIDE & BALL JOINT (OPTIONAL) 71
REAR TOW HITCH ASSEMBLY WITH HITCH SLIDE & BALL JOINT (OPTIONAL) 73
REMOTE DEPTH CONTROL ASSEMBLY 19
RIGID SHEAR BOLT SHANK ASSEMBLY 21
SINGLE & TANDEM LIFT AXLE ASSEMBLY 13
SIX BOLT HUB ASSEMBLY 17
TANDEM LIFT AXLE ASSEMBLY 15
WING FRAME ASSEMBLY 11
WING FRAME COULTER ASSEMBLY 69
3 1/2" X 10" CROSS REPHASING CYLINDER (VERSION 1) 43
3 1/2" X 10" CROSS REPHASING CYLINDER (VERSION 2) 45
3 1/4" X 10" CROSS REPHASING CYLINDER (VERSION 1) 39
3 1/4" X 10" CROSS REPHASING CYLINDER (VERSION 2) 41
3 3/4" X 10" CROSS REPHASING CYLINDER (VERSION 1) 47
3 3/4" X 10" CROSS REPHASING CYLINDER (VERSION 2) 49
3" X 8" CROSS CYLINDER (VERSION 1) 35
3" X 8" CROSS CYLINDER (VERSION 2) 37
4" X 10" CROSS REPHASING CYLINDER (VERSION 1) 51
4" X 10" CROSS REPHASING CYLINDER (VERSION 2) 53
4" X 24" CROSS FOLD CYLINDER (VERSION 1) 55
4" X 24" CROSS FOLD CYLINDER (VERSION 2) 57
4" X 30" CROSS CYLINDER (VERSION 1) 59
4" X 30" CROSS CYLINDER (VERSION 2) 61
5" X 30" CROSS CYLINDER (VERSION 1) 63
5" X 30" CROSS CYLINDER (VERSION 2) 65

3 ROW COIL TINE

DOUBLE ARM COIL TINE HARROW ASSEMBLY 83

3070 FALLOW KING

iii
INDEX

Part No.	Page	Grid	Part No.	Page	Grid	Part No.	Page	Grid	Part No.	Page	Grid
SNCS516114	7	1-B 6	SN10813	33	1-B 9	SN159	67	1-B 12	SN2096	9	1-B 6
SNFK150013	7	1-B 6	SN10813	57	1-B 11	SN159	69	1-B 12	SN2098-1	23	1-B 8
SNFK150013	11	1-B 7	SN10814	29	1-B 8	SN159	75	1-B 13	SN2098-5	13	1-B 7
SNFK150013	13	1-B 7	SN10814	53	1-B 11	SN159	77	1-B 13	SN2098-6	19	1-B 7
SNFK150013	15	1-B 7	SN10815	29	1-B 8	SN1599	75	1-B 13	SN2390	23	1-B 8
SNFK150052	23	1-B 8	SN10815	49	1-B 10	SN1599	77	1-B 13	SN2391	23	1-B 8
SNFK150053	9	1-B 6	SN10816	29	1-B 8	SN1602	23	1-B 8	SN2392	23	1-B 8
SNFK150053	11	1-B 7	SN10816	45	1-B 10	SN1602	85	1-B 14	SN2425	31	1-B 9
SNFK150074	13	1-B 7	SN10817	29	1-B 8	SN1603	23	1-B 8	SN2425	33	1-B 9
SNFK150074	15	1-B 7	SN10817	41	1-B 10	SN1603	85	1-B 14	SN2426	27	1-B 8
SNFK150144	7	1-B 6	SN10836	31	1-B 9	SN1604	23	1-B 8	SN2426	29	1-B 8
SNFK150157	7	1-B 6	SN10836	33	1-B 9	SN1605	17	1-B 7	SN2428	27	1-B 8
SNFK150172	9	1-B 6	SN10837	31	1-B 9	SN1605	23	1-B 8	SN2429	31	1-B 9
SNFK150173	75	1-B 13	SN10837	33	1-B 9	SN1605	67	1-B 12	SN2429	33	1-B 9
SNFK150173	77	1-B 13	SN110	7	1-B 6	SN1605	69	1-B 12	SN245	9	1-B 6
SNFK150185	79	1-B 13	SN110	9	1-B 6	SN1605	85	1-B 14	SN245	11	1-B 7
SNFK150213	21	1-B 8	SN110	11	1-B 7	SN1606	17	1-B 7	SN245	13	1-B 7
SNFK150257	79	1-B 13	SN110	13	1-B 7	SN1606	23	1-B 8	SN245	15	1-B 7
SNFK150258	75	1-B 13	SN110	15	1-B 7	SN1606	67	1-B 12	SN245	75	1-B 13
SNFK150258	77	1-B 13	SN110	23	1-B 8	SN1606	69	1-B 12	SN245	77	1-B 13
SNFK150283	79	1-B 13	SN110	75	1-B 13	SN1606	85	1-B 14	SN2487	7	1-B 6
SNFK320033	69	1-B 12	SN110	77	1-B 13	SN1608	67	1-B 12	SN2519	23	1-B 8
SNFK320033	85	1-B 14	SN1122	71	1-B 13	SN1608	69	1-B 12	SN2526	23	1-B 8
SNFK330283	27	1-B 8	SN1122	73	1-B 13	SN1609	23	1-B 8	SN2557	81	1-B 14
SNFK340069	67	1-B 12	SN113	7	1-B 6	SN1609	71	1-B 13	SN2560	7	1-B 6
SNFK340069	69	1-B 12	SN113	67	1-B 12	SN1610	17	1-B 7	SN2560	11	1-B 7
SNFK350402	7	1-B 6	SN113	69	1-B 12	SN1610	23	1-B 8	SN2561	7	1-B 6
SNFK351023	75	1-B 13	SN113	81	1-B 14	SN1610	85	1-B 14	SN2561	11	1-B 7
SNFK351023	77	1-B 13	SN114	81	1-B 14	SN1611	23	1-B 8	SN2566	9	1-B 6
SNFK361002	75	1-B 13	SN1187	79	1-B 13	SN1611-1	23	1-B 8	SN2568	9	1-B 6
SNFK361002	77	1-B 13	SN120	67	1-B 12	SN1675	71	1-B 13	SN2585	13	1-B 7
SNFK361003	75	1-B 13	SN120	69	1-B 12	SN1675	73	1-B 13	SN2585	15	1-B 7
SNFK361003	77	1-B 13	SN120	85	1-B 14	SN1675	75	1-B 13	SN2585	17	1-B 7
SNFK501164	75	1-B 13	SN12035	31	1-B 9	SN1675	77	1-B 13	SN2585	23	1-B 8
SNFK501164	77	1-B 13	SN12035	65	1-B 12	SN1678	9	1-B 6	SN2756	23	1-B 8
SNFK501168	75	1-B 13	SN12036	65	1-B 12	SN1679	7	1-B 6	SN2799	23	1-B 8
SNFK501168	77	1-B 13	SN12037	65	1-B 12	SN1679	9	1-B 6	SN2799	85	1-B 14
SNFK501229	75	1-B 13	SN12038	65	1-B 12	SN1679	11	1-B 7	SN2801	23	1-B 8
SNFK501229	77	1-B 13	SN12039	65	1-B 12	SN175	7	1-B 6	SN2893	7	1-B 6
SNFK502466	7	1-B 6	SN12039	85	1-B 14	SN175	13	1-B 7	SN2949	21	1-B 8
SNFK502466	85	1-B 14	SN12049	33	1-B 9	SN175	15	1-B 7	SN2991	13	1-B 7
SNHCL	79	1-B 13	SN12049	37	1-B 9	SN175	83	1-B 14	SN2991	15	1-B 7
SNHCS12131	7	1-B 6	SN12056	37	1-B 9	SN1753	71	1-B 13	SN2992	13	1-B 7
SNHEN3410	83	1-B 14	SN12057	37	1-B 9	SN1753	73	1-B 13	SN2992	15	1-B 7
SNH10-003	79	1-B 13	SN12058	37	1-B 9	SN1767	7	1-B 6	SN302	13	1-B 7
SNROL-108	67	1-B 12	SN124	67	1-B 12	SN178	83	1-B 14	SN302	15	1-B 7
SNROL-108	71	1-B 13	SN124	69	1-B 12	SN1799	23	1-B 8	SN302	17	1-B 7
SNROL-108	73	1-B 13	SN124	85	1-B 14	SN1799	85	1-B 14	SN302	23	1-B 8
SNR0G-014	81	1-B 14	SN1243	19	1-B 7	SN1813	9	1-B 6	SN303	13	1-B 7
SNYYB3471	79	1-B 13	SN125-1	67	1-B 12	SN1817	19	1-B 7	SN303	15	1-B 7
SNYYB3471	85	1-B 14	SN125-1	69	1-B 12	SN1849	13	1-B 7	SN303	17	1-B 7
SNZK142890	13	1-B 7	SN126	67	1-B 12	SN1849	15	1-B 7	SN303	23	1-B 8
SNZK142890	15	1-B 7	SN126	69	1-B 12	SN1891	9	1-B 6	SN3052	7	1-B 6
SN10F-1639	79	1-B 13	SN126	85	1-B 14	SN1935	17	1-B 7	SN3052	11	1-B 7
SN1025	67	1-B 12	SN127	67	1-B 12	SN1935	85	1-B 14	SN3052	19	1-B 7
SN1025	69	1-B 12	SN127	69	1-B 12	SN1936	17	1-B 7	SN3052	67	1-B 12
SN1025	85	1-B 14	SN127	85	1-B 14	SN1936	85	1-B 14	SN3052	69	1-B 12
SN1036	7	1-B 6	SN1282	9	1-B 6	SN1937	17	1-B 7	SN3052	71	1-B 13
SN1036	11	1-B 7	SN1282	23	1-B 8	SN1944	17	1-B 7	SN3052	73	1-B 13
SN1040	21	1-B 8	SN1283	7	1-B 6	SN1946	11	1-B 7	SN3052	83	1-B 14
SN1040	71	1-B 13	SN1283	9	1-B 6	SN1978	7	1-B 6	SN3052	85	1-B 14
SN1040	73	1-B 13	SN1283	11	1-B 7	SN2036	23	1-B 8	SN3058	17	1-B 7
SN1040	75	1-B 13	SN1283	13	1-B 7	SN2037	67	1-B 12	SN3061	13	1-B 7
SN1040	77	1-B 13	SN1283	15	1-B 7	SN2037	69	1-B 12	SN3061	15	1-B 7
SN105	71	1-B 13	SN1283	23	1-B 8	SN2076	31	1-B 9	SN3062	13	1-B 7
SN106	21	1-B 8	SN1283	75	1-B 13	SN2076	33	1-B 9	SN3062	15	1-B 7
SN106	71	1-B 13	SN1283	77	1-B 13	SN2078	67	1-B 12	SN3063	13	1-B 7
SN106	73	1-B 13	SN1300	7	1-B 6	SN2078	69	1-B 12	SN3063	15	1-B 7
SN106	75	1-B 13	SN1300	11	1-B 7	SN2078	75	1-B 13	SN3065	83	1-B 14
SN106	77	1-B 13	SN1304	23	1-B 8	SN2078	77	1-B 13	SN3066	13	1-B 7
SN108	9	1-B 6	SN1362	9	1-B 6	SN2085	7	1-B 6	SN3066	15	1-B 7
SN108	23	1-B 8	SN1507	83	1-B 14	SN2089	13	1-B 7	SN3066	17	1-B 7
SN10812	33	1-B 9	SN155	7	1-B 6	SN2089	15	1-B 7	SN3095	23	1-B 8
SN10812	61	1-B 12	SN155	9	1-B 6	SN2089	81	1-B 14	SN3117	17	1-B 7
SN10813	31	1-B 9	SN155	23	1-B 8	SN2089	83	1-B 14	SN3118	17	1-B 7

INDEX

Part No.	Page	Grid	Part No.	Page	Grid	Part No.	Page	Grid	Part No.	Page	Grid
SN3150	13	1-B 7	SN3765	9	1-B 6	SN4458	39	1-B 9	SN5112	9	1-B 6
SN3150	15	1-B 7	SN3785	7	1-B 6	SN4458	41	1-B 10	SN5112	67	1-B 12
SN3153	9	1-B 6	SN3877	21	1-B 8	SN4458	43	1-B 10	SN5114	11	1-B 7
SN3164	9	1-B 6	SN3894	19	1-B 7	SN4458	45	1-B 10	SN5114	69	1-B 12
SN3164	11	1-B 7	SN3938	7	1-B 6	SN4458	47	1-B 10	SN5115	11	1-B 7
SN3164	35	1-B 9	SN3938	23	1-B 8	SN4458	49	1-B 10	SN5115	69	1-B 12
SN3164	37	1-B 9	SN3938	71	1-B 13	SN4458	51	1-B 11	SN5116	9	1-B 6
SN3164	39	1-B 9	SN3938	73	1-B 13	SN4458	53	1-B 11	SN5116	67	1-B 12
SN3164	41	1-B 10	SN3938	75	1-B 13	SN4458	55	1-B 11	SN5117	11	1-B 7
SN3164	43	1-B 10	SN3938	77	1-B 13	SN4458	57	1-B 11	SN5117	69	1-B 12
SN3164	45	1-B 10	SN4021007	27	1-B 8	SN4458	59	1-B 11	SN5118	11	1-B 7
SN3164	55	1-B 11	SN4029005	27	1-B 8	SN4458	61	1-B 12	SN5118	69	1-B 12
SN3164	57	1-B 11	SN4029005	29	1-B 8	SN4458	63	1-B 12	SN5119	7	1-B 6
SN3164	63	1-B 12	SN4041002	33	1-B 9	SN4458	65	1-B 12	SN5120	7	1-B 6
SN3164	65	1-B 12	SN4046002	31	1-B 9	SN4460	27	1-B 8	SN5121	7	1-B 6
SN3164	79	1-B 13	SN4067007	27	1-B 8	SN4460	29	1-B 8	SN5123	13	1-B 7
SN3169	9	1-B 6	SN4070002	31	1-B 9	SN4463	31	1-B 9	SN5123	15	1-B 7
SN317	83	1-B 14	SN4079002	31	1-B 9	SN4465	31	1-B 9	SN5124	13	1-B 7
SN3299	13	1-B 7	SN4082002	33	1-B 9	SN4465	33	1-B 9	SN5126	13	1-B 7
SN3299	15	1-B 7	SN4085002	33	1-B 9	SN4470	31	1-B 9	SN5126	15	1-B 7
SN3299	17	1-B 7	SN4087002	31	1-B 9	SN4470	33	1-B 9	SN5127	13	1-B 7
SN3300	17	1-B 7	SN4092002	31	1-B 9	SN4471	27	1-B 8	SN5128	15	1-B 7
SN3300	85	1-B 14	SN4098005	27	1-B 8	SN4473	31	1-B 9	SN5129R	13	1-B 7
SN3301	17	1-B 7	SN4117005	27	1-B 8	SN4473	33	1-B 9	SN5129R	15	1-B 7
SN3301	85	1-B 14	SN4117005	29	1-B 8	SN4478	29	1-B 8	SN5130	13	1-B 7
SN3302	17	1-B 7	SN4130006	27	1-B 8	SN4480	27	1-B 8	SN5130	15	1-B 7
SN3302	23	1-B 8	SN4130006	29	1-B 8	SN4481	27	1-B 8	SN5131	13	1-B 7
SN3302	85	1-B 14	SN4146005	27	1-B 8	SN4484	29	1-B 8	SN5131	15	1-B 7
SN3303	17	1-B 7	SN4146005	29	1-B 8	SN4638	19	1-B 7	SN5132	13	1-B 7
SN3303	23	1-B 8	SN4166005	27	1-B 8	SN4700	73	1-B 13	SN5132	15	1-B 7
SN3303	85	1-B 14	SN4166005	29	1-B 8	SN4732	19	1-B 7	SN5133	13	1-B 7
SN3306	69	1-B 12	SN4170005	27	1-B 8	SN4732	27	1-B 8	SN5133	15	1-B 7
SN3309	23	1-B 8	SN4170005	29	1-B 8	SN4732	29	1-B 8	SN5134	13	1-B 7
SN3363	71	1-B 13	SN4172002	31	1-B 9	SN4738	83	1-B 14	SN5134	15	1-B 7
SN3364	71	1-B 13	SN4172002	33	1-B 9	SN4739	71	1-B 13	SN5135	19	1-B 7
SN3365	71	1-B 13	SN4188002	33	1-B 9	SN4740	71	1-B 13	SN5136	19	1-B 7
SN3365	85	1-B 14	SN4200002	33	1-B 9	SN4771	7	1-B 6	SN5137	19	1-B 7
SN3366	71	1-B 13	SN4218005	27	1-B 8	SN4776	13	1-B 7	SN5138	19	1-B 7
SN3366	85	1-B 14	SN4218005	29	1-B 8	SN4776	17	1-B 7	SN5139	19	1-B 7
SN3371	83	1-B 14	SN4255005	27	1-B 8	SN4781	7	1-B 6	SN5142	9	1-B 6
SN3485	7	1-B 6	SN4255005	29	1-B 8	SN4789	75	1-B 13	SN5146	7	1-B 6
SN3557	83	1-B 14	SN4403R	33	1-B 9	SN4789	77	1-B 13	SN5146	11	1-B 7
SN3566	7	1-B 6	SN4403R	59	1-B 11	SN4795	75	1-B 13	SN5149	19	1-B 7
SN3566	13	1-B 7	SN4405R	31	1-B 9	SN4795	77	1-B 13	SN5151	17	1-B 7
SN3566	15	1-B 7	SN4405R	33	1-B 9	SN4815	79	1-B 13	SN5152	17	1-B 7
SN3566	19	1-B 7	SN4405R	55	1-B 11	SN4816	79	1-B 13	SN5154	27	1-B 8
SN3566	83	1-B 14	SN4414R	31	1-B 9	SN4820	79	1-B 13	SN5155	79	1-B 13
SN3567	83	1-B 14	SN4414R	63	1-B 12	SN4820	85	1-B 14	SN5155	85	1-B 14
SN3577	17	1-B 7	SN4430R	27	1-B 8	SN4821	79	1-B 13	SN5156	79	1-B 13
SN3578	17	1-B 7	SN4430R	29	1-B 8	SN4821	85	1-B 14	SN5156	85	1-B 14
SN3579	17	1-B 7	SN4430R	51	1-B 11	SN4843	9	1-B 6	SN5157	9	1-B 6
SN3580	17	1-B 7	SN4431R	27	1-B 8	SN4843	85	1-B 14	SN5158	9	1-B 6
SN3610	83	1-B 14	SN4431R	29	1-B 8	SN4844	7	1-B 6	SN5159	33	1-B 9
SN3611	83	1-B 14	SN4431R	47	1-B 10	SN486	7	1-B 6	SN5160	31	1-B 9
SN3621	83	1-B 14	SN4432R	27	1-B 8	SN486	81	1-B 14	SN5161	33	1-B 9
SN3621	85	1-B 14	SN4432R	29	1-B 8	SN4871	79	1-B 13	SN5162	7	1-B 6
SN3629	83	1-B 14	SN4432R	43	1-B 10	SN4876	79	1-B 13	SN5163	9	1-B 6
SN3635	83	1-B 14	SN4433R	27	1-B 8	SN4879	79	1-B 13	SN5164	11	1-B 7
SN3647	83	1-B 14	SN4433R	29	1-B 8	SN4884R	75	1-B 13	SN5165	11	1-B 7
SN3723	7	1-B 6	SN4433R	39	1-B 9	SN4884R	77	1-B 13	SN5166	11	1-B 7
SN3723	19	1-B 7	SN4446R	33	1-B 9	SN4914	7	1-B 6	SN5167	11	1-B 7
SN3724	7	1-B 6	SN4446R	35	1-B 9	SN4915	7	1-B 6	SN5168	9	1-B 6
SN3724	19	1-B 7	SN4451	31	1-B 9	SN4944	19	1-B 7	SN5168	67	1-B 12
SN3725	67	1-B 12	SN4451	33	1-B 9	SN4960	77	1-B 13	SN5169	7	1-B 6
SN3725	69	1-B 12	SN4453	27	1-B 8	SN4968	9	1-B 6	SN5169	67	1-B 12
SN3726	83	1-B 14	SN4454	31	1-B 9	SN4968	11	1-B 7	SN5171	9	1-B 6
SN3735	79	1-B 13	SN4454	33	1-B 9	SN506	9	1-B 6	SN5191	9	1-B 6
SN3750	9	1-B 6	SN4455	31	1-B 9	SN507	9	1-B 6	SN5192	9	1-B 6
SN3751	21	1-B 8	SN4455	33	1-B 9	SN508	9	1-B 6	SN5193	9	1-B 6
SN3753	21	1-B 8	SN4456	27	1-B 8	SN5090	79	1-B 13	SN5195	23	1-B 8
SN3754	21	1-B 8	SN4456	29	1-B 8	SN5091	79	1-B 13	SN5196	23	1-B 8
SN3756	21	1-B 8	SN4458	27	1-B 8	SN5092	79	1-B 13	SN5197	23	1-B 8
SN3757	21	1-B 8	SN4458	29	1-B 8	SN5094	17	1-B 7	SN5201	13	1-B 7
SN3758	21	1-B 8	SN4458	35	1-B 9	SN5111	9	1-B 6	SN5201	15	1-B 7
SN3759	21	1-B 8	SN4458	37	1-B 9	SN5111	67	1-B 12	SN5251	11	1-B 7

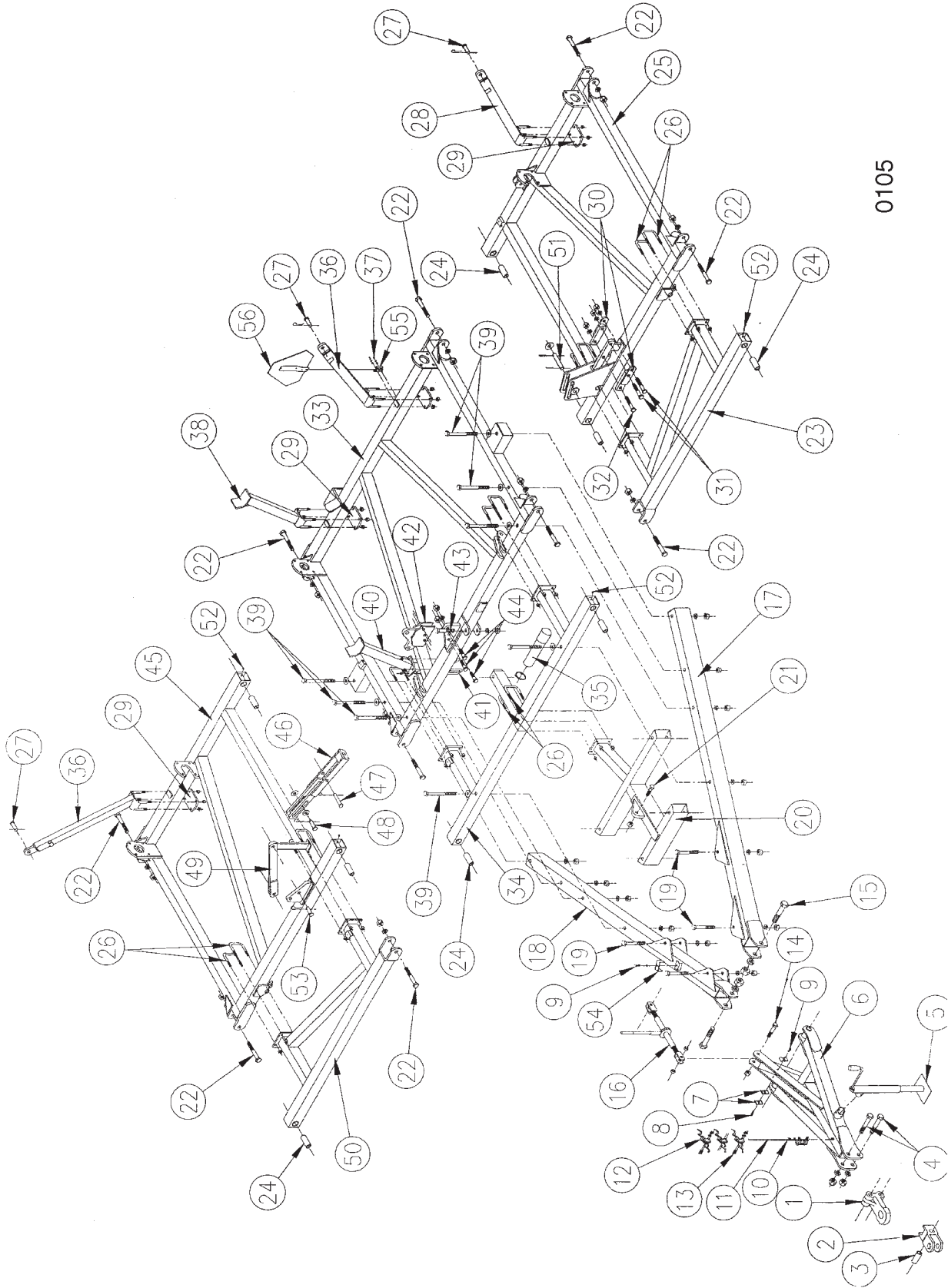
3070 FALLOW KING

V
INDEX

Part No.	Page	Grid	Part No.	Page	Grid	Part No.	Page	Grid	Part No.	Page	Grid
SN5252	11	1-B 7	SN669-1	7	1-B 6	SN8631-1	65	1-B 12	SN8739-10	53	1-B 11
SN5290	21	1-B 8	SN669-1	9	1-B 6	SN8636-1	19	1-B 7	SN8749-10	63	1-B 12
SN5302	7	1-B 6	SN669-1	11	1-B 7	SN8636-1	27	1-B 8	SN8762-1	35	1-B 9
SN5302	13	1-B 7	SN669-1	13	1-B 7	SN8636-1	29	1-B 8	SN8762-1	85	1-B 14
SN5302	15	1-B 7	SN669-1	15	1-B 7	SN8653-1	53	1-B 11	SN8767-1	39	1-B 9
SN5304	7	1-B 6	SN669-1	19	1-B 7	SN8654-1	49	1-B 10	SN8767-1	41	1-B 10
SN5304	11	1-B 7	SN669-1	21	1-B 8	SN8654-1	53	1-B 11	SN8767-1	85	1-B 14
SN5304	67	1-B 12	SN669-1	67	1-B 12	SN8655-1	49	1-B 10	SN8775-1	43	1-B 10
SN5304	69	1-B 12	SN669-1	69	1-B 12	SN8656-10	49	1-B 10	SN8775-1	45	1-B 10
SN5305	11	1-B 7	SN669-1	71	1-B 13	SN8657-10	45	1-B 10	SN8775-1	85	1-B 14
SN5305	69	1-B 12	SN669-1	73	1-B 13	SN8658-1	41	1-B 10	SN8776-1	47	1-B 10
SN5306	7	1-B 6	SN669-1	79	1-B 13	SN8658-1	45	1-B 10	SN8776-1	49	1-B 10
SN5309	9	1-B 6	SN669-1	81	1-B 14	SN8659-1	45	1-B 10	SN8776-1	85	1-B 14
SN5339	35	1-B 9	SN669-1	83	1-B 14	SN8660-1	45	1-B 10	SN8781-1	51	1-B 11
SN5339	37	1-B 9	SN670	13	1-B 7	SN8670-10	53	1-B 11	SN8781-1	53	1-B 11
SN5339	39	1-B 9	SN670	15	1-B 7	SN8670-10	57	1-B 11	SN8781-1	85	1-B 14
SN5339	41	1-B 10	SN6999	75	1-B 13	SN8670-10	61	1-B 12	SN8784-1	55	1-B 11
SN5339	43	1-B 10	SN6999	77	1-B 13	SN8671-1	35	1-B 9	SN8784-1	59	1-B 11
SN5339	45	1-B 10	SN7000	75	1-B 13	SN8671-1	37	1-B 9	SN8784-1	85	1-B 14
SN5339	55	1-B 11	SN7000	77	1-B 13	SN8671-1	39	1-B 9	SN8794-1	63	1-B 12
SN5339	57	1-B 11	SN7001	9	1-B 6	SN8671-1	41	1-B 10	SN8794-1	85	1-B 14
SN5342	63	1-B 12	SN7001	85	1-B 14	SN8671-1	43	1-B 10	SN8816-1	35	1-B 9
SN5342	65	1-B 12	SN7012	21	1-B 8	SN8671-1	45	1-B 10	SN8820-1	39	1-B 9
SN5347	29	1-B 8	SN7012	85	1-B 14	SN8671-1	47	1-B 10	SN8822-1	43	1-B 10
SN5540	21	1-B 8	SN71L-2901	75	1-B 13	SN8671-1	49	1-B 10	SN8826-1	51	1-B 11
SN5540	85	1-B 14	SN71L-2901	77	1-B 13	SN8671-1	51	1-B 11	SN8826-1	53	1-B 11
SN5543	21	1-B 8	SN7785R	13	1-B 7	SN8671-1	53	1-B 11	SN8828-1	47	1-B 10
SN5543	85	1-B 14	SN7785R	15	1-B 7	SN8671-1	55	1-B 11	SN8828-1	49	1-B 10
SN5556	21	1-B 8	SN779	19	1-B 7	SN8671-1	57	1-B 11	SN8835-1	55	1-B 11
SN5668	81	1-B 14	SN779	67	1-B 12	SN8671-1	59	1-B 11	SN8835-1	57	1-B 11
SN5669	81	1-B 14	SN779	69	1-B 12	SN8671-1	61	1-B 12	SN8837-1	59	1-B 11
SN5671	81	1-B 14	SN7907	83	1-B 14	SN8671-1	63	1-B 12	SN8837-1	61	1-B 12
SN5715	83	1-B 14	SN7908	83	1-B 14	SN8671-1	65	1-B 12	SN8839-1	63	1-B 12
SN5715	85	1-B 14	SN821	75	1-B 13	SN8681-1	35	1-B 9	SN8839-1	65	1-B 12
SN5719	83	1-B 14	SN821	77	1-B 13	SN8681-1	37	1-B 9	SN8845-1	39	1-B 9
SN5723	83	1-B 14	SN8273-1	57	1-B 11	SN8682-1	57	1-B 11	SN8845-1	43	1-B 10
SN5724	83	1-B 14	SN8273-1	61	1-B 12	SN8682-1	61	1-B 12	SN8846-1	35	1-B 9
SN5727	83	1-B 14	SN8602-1	61	1-B 12	SN8683-1	39	1-B 9	SN8849-1	47	1-B 10
SN5729	83	1-B 14	SN8605-1	57	1-B 11	SN8683-1	41	1-B 10	SN8849-1	51	1-B 11
SN5730	83	1-B 14	SN8610-1	39	1-B 9	SN8683-1	43	1-B 10	SN8855-1	55	1-B 11
SN5731	83	1-B 14	SN8610-1	41	1-B 10	SN8683-1	45	1-B 10	SN8858-1	59	1-B 11
SN5731	85	1-B 14	SN8610-1	43	1-B 10	SN8683-1	47	1-B 10	SN8859-1	63	1-B 12
SN5732	83	1-B 14	SN8610-1	45	1-B 10	SN8683-1	49	1-B 10	SN8859-1	65	1-B 12
SN5732	85	1-B 14	SN8610-1	47	1-B 10	SN8683-1	51	1-B 11	SN8863-1	39	1-B 9
SN5814	67	1-B 12	SN8610-1	49	1-B 10	SN8683-1	53	1-B 11	SN8863-1	41	1-B 10
SN5814	69	1-B 12	SN8610-1	51	1-B 11	SN8683-1	55	1-B 11	SN8863-1	43	1-B 10
SN5830	23	1-B 8	SN8610-1	53	1-B 11	SN8683-1	57	1-B 11	SN8863-1	45	1-B 10
SN5831	23	1-B 8	SN8612-1	57	1-B 11	SN8683-1	59	1-B 11	SN8864-1	47	1-B 10
SN5833	23	1-B 8	SN8612-1	61	1-B 12	SN8683-1	61	1-B 12	SN8864-1	49	1-B 10
SN5880	69	1-B 12	SN8612-1	85	1-B 14	SN8685-1	63	1-B 12	SN8864-1	51	1-B 11
SN5890	83	1-B 14	SN8613-1	41	1-B 10	SN8685-1	65	1-B 12	SN8864-1	53	1-B 11
SN5965	67	1-B 12	SN8614-10	41	1-B 10	SN8698-10	47	1-B 10	SN8864-1	55	1-B 11
SN5968	67	1-B 12	SN8615-1	35	1-B 9	SN8699-10	51	1-B 11	SN8864-1	57	1-B 11
SN5968	69	1-B 12	SN8615-1	37	1-B 9	SN8700-10	43	1-B 10	SN8864-1	59	1-B 11
SN5969	67	1-B 12	SN8615-1	55	1-B 11	SN8701-10	35	1-B 9	SN8864-1	61	1-B 12
SN5969	69	1-B 12	SN8615-1	59	1-B 11	SN8703-10	55	1-B 11	SN8865-1	63	1-B 12
SN5970	67	1-B 12	SN8616-1	57	1-B 11	SN8703-10	59	1-B 11	SN8865-1	65	1-B 12
SN5970	69	1-B 12	SN8616-1	61	1-B 12	SN8705-10	63	1-B 12	SN8866-1	35	1-B 9
SN5972	67	1-B 12	SN8620-1	63	1-B 12	SN8709-10	39	1-B 9	SN8866-1	37	1-B 9
SN5972	69	1-B 12	SN8620-1	65	1-B 12	SN8710-1	39	1-B 9	SN8881-1	35	1-B 9
SN6054	71	1-B 13	SN8631-1	35	1-B 9	SN8711-1	35	1-B 9	SN8890-1	39	1-B 9
SN6054	73	1-B 13	SN8631-1	37	1-B 9	SN8713-1	55	1-B 11	SN8890-1	43	1-B 10
SN6055	71	1-B 13	SN8631-1	39	1-B 9	SN8713-1	59	1-B 11	SN8899-1	47	1-B 10
SN6055	73	1-B 13	SN8631-1	41	1-B 10	SN8715-1	63	1-B 12	SN8899-1	51	1-B 11
SN6056	71	1-B 13	SN8631-1	43	1-B 10	SN8716-1	43	1-B 10	SN8923-1	61	1-B 12
SN6056	73	1-B 13	SN8631-1	45	1-B 10	SN8717-1	47	1-B 10	SN8924-1	55	1-B 11
SN6057	71	1-B 13	SN8631-1	47	1-B 10	SN8718-1	51	1-B 11	SN8925-1	49	1-B 10
SN6058	73	1-B 13	SN8631-1	49	1-B 10	SN8719-10	35	1-B 9	SN8925-1	53	1-B 11
SN6287	23	1-B 8	SN8631-1	51	1-B 11	SN8725-10	39	1-B 9	SN8926-1	57	1-B 11
SN6296	23	1-B 8	SN8631-1	53	1-B 11	SN8735-10	43	1-B 10	SN8927-10	45	1-B 10
SN6297	23	1-B 8	SN8631-1	55	1-B 11	SN8736-10	47	1-B 10	SN8928-1	41	1-B 10
SN6298	23	1-B 8	SN8631-1	57	1-B 11	SN8736-10	49	1-B 10	SN8928-1	45	1-B 10
SN6520	67	1-B 12	SN8631-1	59	1-B 11	SN8737-10	55	1-B 11	SN8929-1	41	1-B 10
SN6523	69	1-B 12	SN8631-1	61	1-B 12	SN8737-10	59	1-B 11	SN893	71	1-B 13
SN6524	67	1-B 12	SN8631-1	63	1-B 12	SN8739-10	51	1-B 11	SN8930-10	41	1-B 10

3070 FALLOW KING
SERVICE PARTS

CENTER FRAME ASSEMBLY



0105

3070 FALLOW KING
SERVICE PARTS

7

CENTER FRAME ASSEMBLY

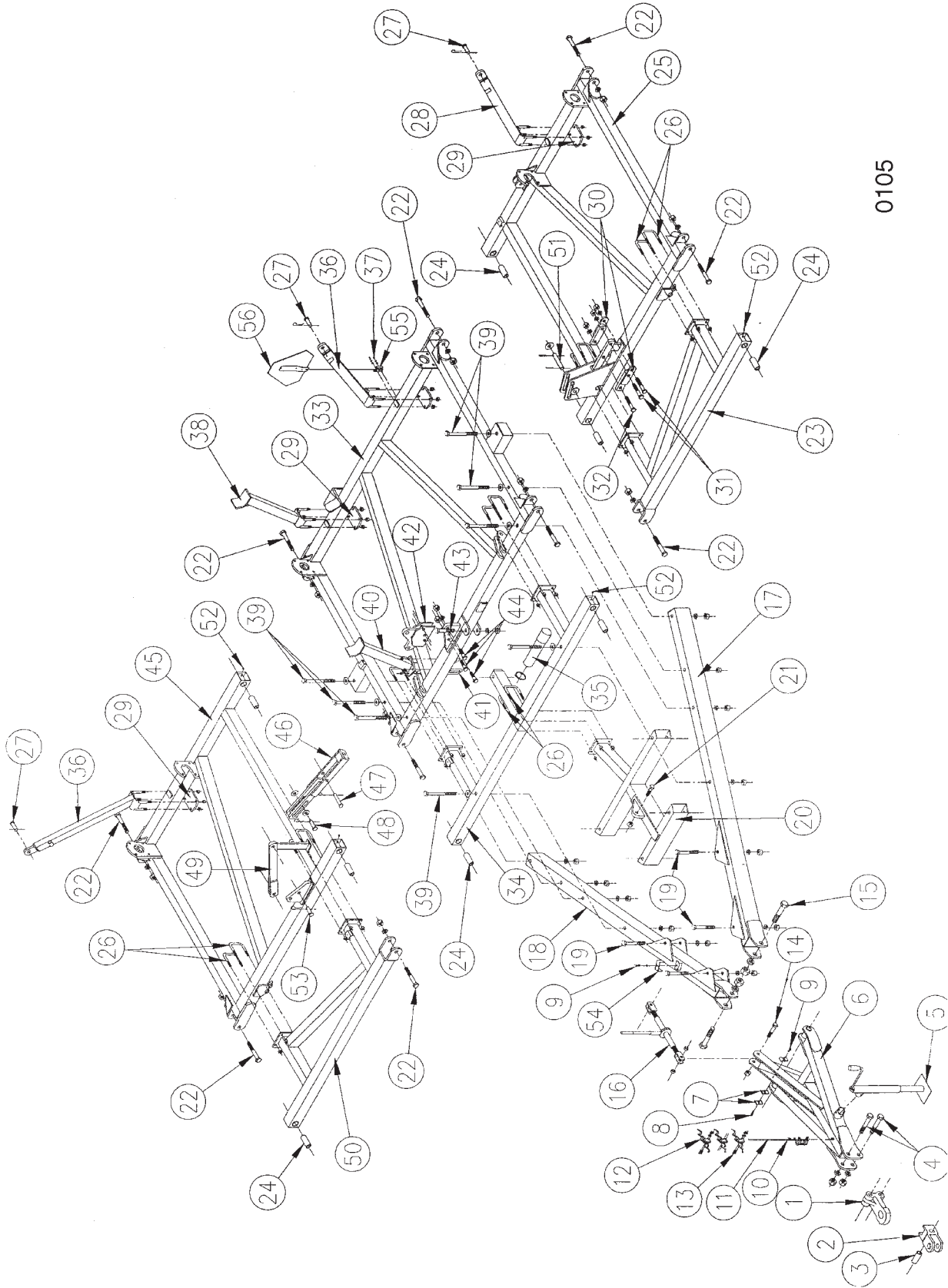
ITEM	NUMBER	QTY	DESCRIPTION
1	SN4781		SINGLE LIP HITCH
2	SN5306		DOUBLE LIP HITCH
3	SNFK502466		ANCHOER BUSHING
4	SNFK350402		HEX BOLT, 1 1/4"-7 X 7" GR 5 (SPECIAL)
	SNFK150157		LOCK WASHER, 1 1/4", Z/P
	SNFK150144		HEX NUT, 1 1/4"-7, GR 2, Z/P
5	SN9777		LONG TONGUE JACK, SQ W/TUBE MOUNT
6	SN4771		TONGUE FRAME
7	SN5302		PIPE CLAMP, 3/8" HOLE
8	SN2487		HEX BOLT, 3/8"-16 X 2 1/2", GR 5, Z/P
	SN3566		LOCK NUT, 3/8"-16 HEX CENTER, GR 2, Z/P
9	SN175		HEX BOLT, 3/8"-16 X 1 1/2", GR 5, Z/P
	SN3566		LOCK NUT, 3/8"-16 HEX CENTER, GR 2, Z/P
10	SN4915		HOSE HOLDER ROD, RED
11	SNHCS12131		HEX BOLT, 1/2"-13 X 1" GR 5, Z/P
	SN113		LOCK WASHER, 1/2" SPLIT TYPE MED, Z/P
	SN486		FLAT WASHER, 1/2", Z/P
12	SN4914		HOSE HOLDER,
13	SNCS516114		HEX BOLT, 5/16"-18 X 1 1/4" GR 5, Z/P
	SN3723		LOCK WASHER, 5/16" SPLIT TYPE, MED, Z/P
	SN3724		HEX NUT, 5/16"-18 FULL, GR 2, Z/P
14	SNFK150013		HEX BOLT, 1"-8 X 5" GR 5, Z/P
	SN3938		LOCK NUT, 1"-8 HEX NYLON INSERT, GR 2, Z/P
15	SN1767		HEX BOLT, 1 1/2"-6 X 7 1/2", GR 5, Z/P
	SN2085		LOCK WASHER, 1 1/2" SPLIT TYPE MED, Z/P
	SN1978		HEX NUT, 1 1/2"-6 FULL, GR 2, Z/P
16	SN2893		RATCHET JACK
	SN3785		HANDLE, RATCHET JACK
	SN4844		SPACER, 1/2"
17	SN5120		TONGUE, LEFT
18	SN5119		TONGUE, RIGHT
19	SN3485		HEX BOLT, 1"-8 X 8", GR 5, Z/P
	SN1283		LOCK WASHER, 1" SPLIT TYPE MED, Z/P
	SN110		HEX NUT, 1"-8 FULL, GR 5, Z/P
20	SN5121		TONGUE, MID
21	SN155		HEX BOLT, 1"-8 X 3 1/2", GR 5 Z/P
	SN3938		LOCK NUT, 1"-8 HEX NYLON INSERT, GR 2, Z/P
22	SN2560		HEX BOLT, 1 1/8"-7 X 7 1/2", GR 5, Z/P
	SN2561		LOCK WASHER, 1 1/8" SPLIT TYPE MED, Z/P
	SN1300		HEX NUT, 1 1/8"-7 FULL, GR 2, Z/P
23	SN5169		EXTENSION, LEFT
24	SN5146		BUSHING, LOOSE
25	SN5304		CENTER FRAME, LEFT
26	SN3052		U-BOLT, 5/8"-11 X 5 5/8" X 4 3/4" W, GR 5, Z/P
	SN669-1		LOCK NUT, 5/8" HEX NYLON INSERT, GR 5, Z/P
27	SN1679		PIN, 1" X 3" (2 1/2"), Z/P
	SN1036		PIN CLIP, 7/8"-1" SHAFT, .178" DIA, 3 3/4" L
28	SN5162		STABILIZER ARM
	SN669-1		LOCK NUT, 5/8" HEX NYLON INSERT, GR 5, Z/P

CONTINUED

I0000105

3070 FALLOW KING
SERVICE PARTS

CENTER FRAME ASSEMBLY



0105

**3070 FALLOW KING
SERVICE PARTS**

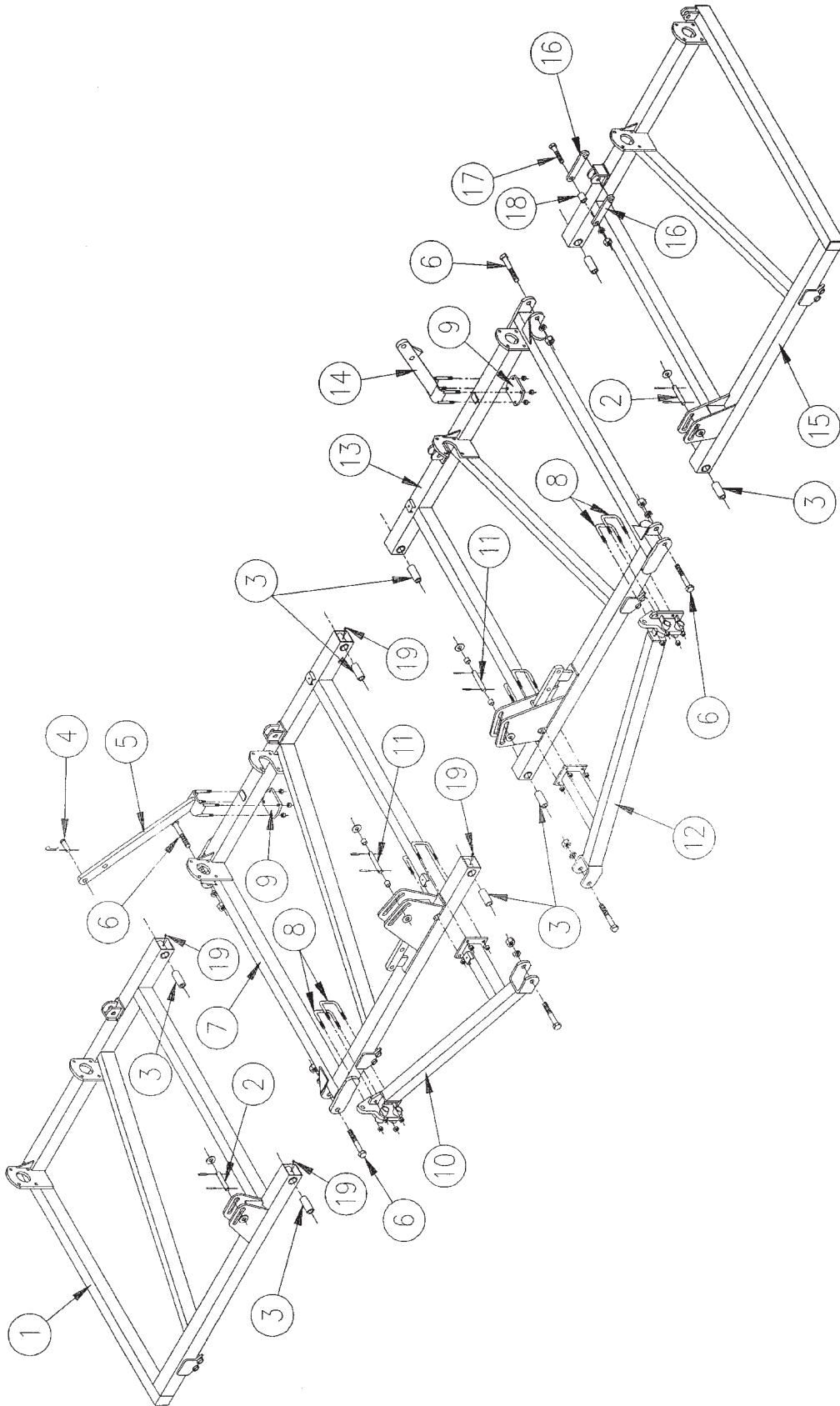
9

CENTER FRAME ASSEMBLY

ITEM	NUMBER	QTY	DESCRIPTION
29	SN4968		CLAMP PLATE, 4 HOLE-RED
30	SN5191		FOLD ANCHOR, BOLT ON
31	SN1891		HEX BOLT, 1"-8 X 5 1/2", GR 5 Z/P
	SN1283		LOCK WASHER, 1" SPLIT TYPE MED, Z/P
	SN110		HEX NUT, 1"-8 FULL, GR 5, Z/P
32	SN1678		HEX BOLT, 1"-8 X 4 1/2", GR 5 Z/P
	SN1283		LOCK WASHER, 1" SPLIT TYPE MED, Z/P
	SN110		HEX NUT, 1"-8 FULL, GR 5, Z/P
33	SN5111		CENTER FRAME
34	SN5116		EXTENSION, CENTER FRAME
35	SN3750		OPERATOR'S MANUAL TUBE
	SN3765		HOSE CLAMP, 3 1/2"
36	SN5163		STABILIZER ARM
37	SN2568		HEX BOLT, 1/4"-20 X 3/4", GR 2 Z/P
	SN507		LOCK WASHER, 1/4" SPLIT TYPE MED,Z/P
	SN506		FLAT WASHER, 1/4", Z/P
	SN508		HEX NUT, 1/4"-20 FULL, GR 2, Z/P
38	SN5158		WING REST ARM
	SN669-1		LOCK NUT, 5/8" HEX NYLON INSERT, GR 5, Z/P
39	SN3153		HEX BOLT, 1"-8 X 12", GR 5, Z/P
	SN3169		FLAT WASHER, 1", 1/4" THICK
	SN1283		LOCK WASHER, 1" SPLIT TYPE MED, Z/P
	SN110		HEX NUT, 1"-8 FULL, GR 5, Z/P
40	SN5157		WING REST ARM
41	SN4843		U-BOLT, 1/2"-13 X 5 1/4" X 2 1/2" W, GR 5, Z/P
	SN2096		LOCK NUT, 1/2"-13 HEX NYLON INSERT, GR 8, Z/P
42	SN5192		FOLD ANCHOR, BOLT ON
43	SN1282		HEX BOLT, 1"-8 X 6 1/2", GR 5, Z/P
	SN1283		LOCK WASHER, 1" SPLIT TYPE MED, Z/P
	SN110		HEX NUT, 1"-8 FULL, GR 5, Z/P
44	SN155		HEX BOLT, 1"-8 X 3 1/2", GR 5 Z/P
	SN1283		LOCK WASHER, 1" SPLIT TYPE MED, Z/P
	SN110		HEX NUT, 1"-8 FULL, GR 5, Z/P
45	SN5112		CENTER FRAME, RIGHT
46	SN5171		CYLINDER SLOTTED LINK
47	SN1813		CLEVIS PIN, 1" X 5" (4 1/2")
	SN108		COTTER PIN, 5/16" X 2 1/2", Z/P
48	SN1362		PIN, 1" X 3 1/2" (3"), Z/P
	SN245		FLAT WASHER, 1" WIDE RIM, Z/P
	SN108		COTTER PIN, 5/16" X 2 1/2", Z/P
49	SN5142		STIFFENING ANCHOR
50	SN5168		EXTENSION, RIGHT
51	SN5309		PIN, 1 1/4" X 6 9/16" (5 1/4") Z/P
	SNFK150172		FLAT WASHER, 1 1/4" SAE, Z/P
	SN3164		ROLL PIN, 5/16" X 2" SPIRAL MEDIUM DUTY, Z/P
52	SNFK150053		GREASE ZERK, 1/8" NPT 65 DEG, SHORT ANGLE
53	SN1679		PIN, 1" X 3" (2 1/2"), Z/P
	SN108		COTTER PIN, 5/16" X 2 1/2", Z/P
54	SN5193		BRACKET CLAMP
55	SN2566		S.M.V. SOCKET
56	SN7001		SMV EMBLEM

I0000105

WING FRAME ASSEMBLY



0046

3070 FALLOW KING
SERVICE PARTS

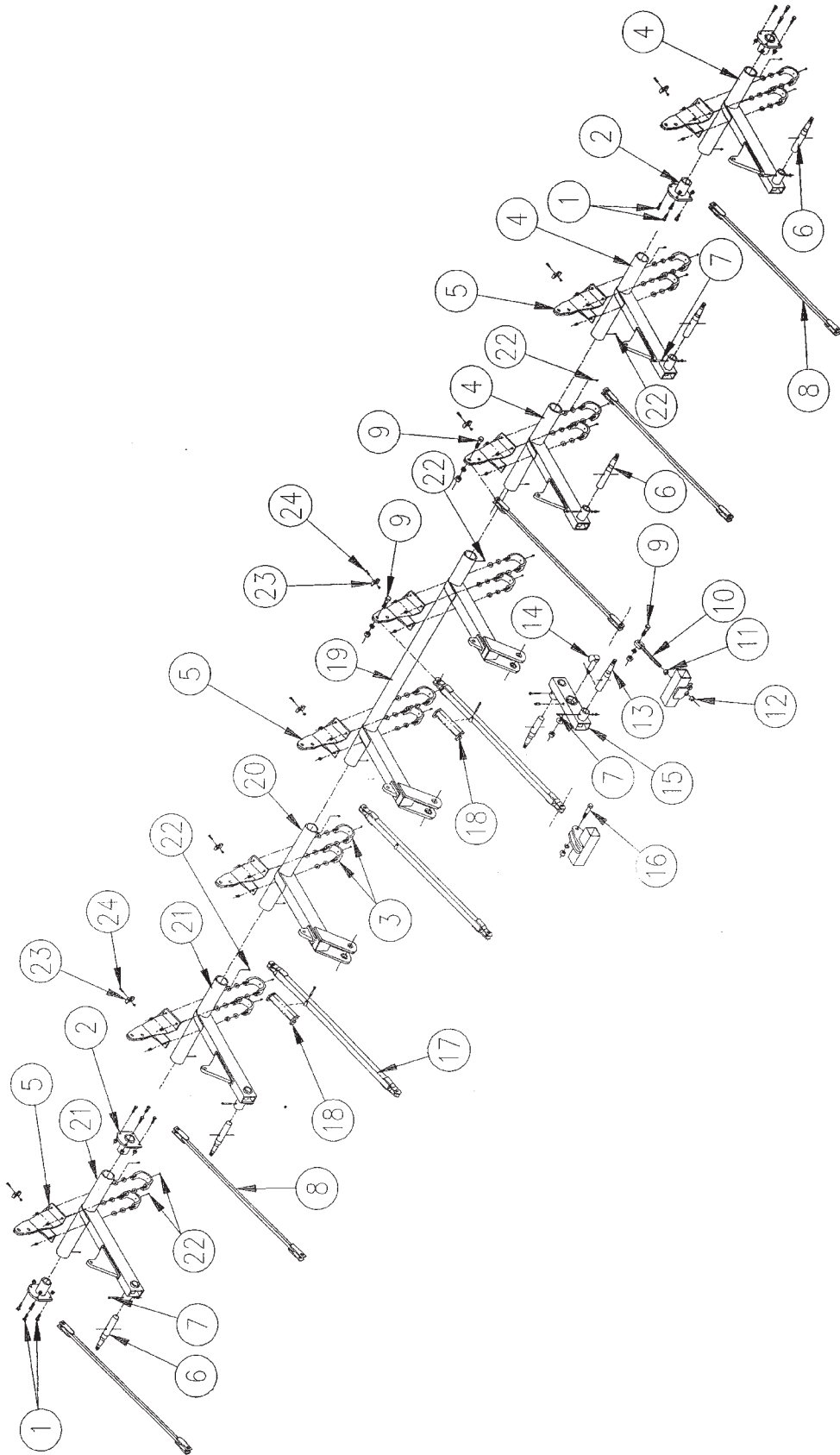
11

WING FRAME ASSEMBLY

ITEM	NUMBER	QTY	DESCRIPTION
1	SN5114		RIGHT WING FRAME
2	SN5251		1" X 5 13/16" PIN
	SN245		1" FLAT WASHER
	SN3164		ROLL PIN, 5/16" X 2"
3	SN5146		LOOSE BUSHING
4	SN1679		1" X 3" CLEVIS PIN
	SN1036		PIN CLIP
5	SN5164		STABILIZER ARM
	SN669-1		5/8" LOCK NUT
6	SN2560		1 1/8" X 7 1/2" HEX BOLT
	SN2561		1 1/8" LOCK WASHER
	SN1300		1 1/8" HEX NUT
7	SN5305		RIGHT INSERT WING FRAME
8	SN3052		5/8" X 5 5/8" X 4 3/4" W. U-BOLT
	SN669-1		5/8" LOCK NUT
9	SN4968		4-HOLE CLAMP PLATE
10	SN5117		RIGHT WING BRACE
11	SN5252		1" X 6 9/16" PIN
	SN1946		1" I.D. X 1 1/4" O.D. WEAR BUSHING
	SN245		1" FLAT WASHER
	SN3164		ROLLPIN, 5/16" X 2"
12	SN5118		LEFT WING BRACE
13	SN5304		LEFT INSERT WING FRAME
14	SN5167		STABILIZER ARM
	SN669-1		5/8" LOCK NUT
15	SN5115		LEFT WING FRAME
16	SN5166		WING LOCK OUT
17	SNFK150013		1" X 5" HEX BOLT
	SN1283		1" LOCK WASHER
	SN110		1" HEX NUT
18	SN5165		BUSHING
19	SNFK150053		GREASE ZERK 1/8" NPT, 65 DEG.

I0000046

SINGLE & TANDEM LIFT AXLE ASSEMBLY



0043

3070 FALLOW KING
SERVICE PARTS

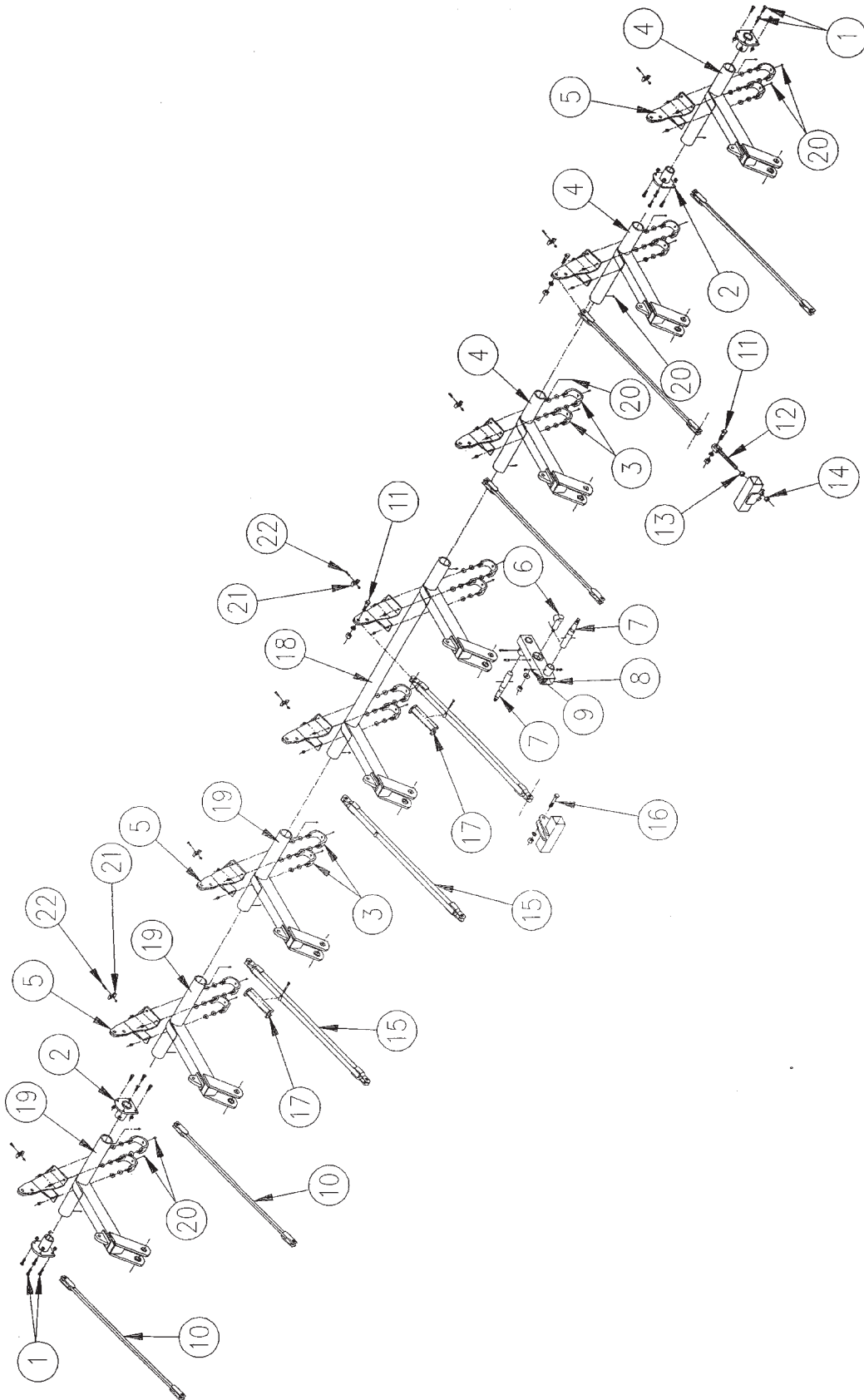
13

SINGLE & TANDEM LIFT AXLE ASSEMBLY

ITEM	NUMBER	QTY	DESCRIPTION
1	SN670		5/8" X 2" HEX BOLT
	SN669-1		5/8" LOCK NUT
2	SN5130		LIFT BEARING
3	SN5131		CYLINDER BRACKET BEARING
	SN2089		5/8" FLAT WASHER
	SN669-1		5/8" LOCK NUT
4	SN5127		SINGLE LIFT, LEFT (2" SPINDLE)
5	SN5132		LIFT CYLINDER BRACKET
6	SN4776		2" X 14 5/8" SPINDLE
7	SN2585		7/16" X 3 1/2" HEX BOLT
	SN302		7/16" LOCK WASHER
	SN303		7/16" HEX NUT
8	SN5134		LIFT ARM
9	SNFK150074		1" X 3" HEX BOLT
	SN1283		1" LOCK WASHER
	SN110		1" HEX NUT
10	SN3150		LIFT ARM ADJUSTMENT BOLT
11	SN1849		1" JAM NUT
12	SN110		1" HEX NUT
13	SN3299		2" X 13 1/4" SPINDLE
14	SN2991		TANDEM AXLE SPINDLE
	SN245		1" FLAT WASHER
	SN2992		1" SLOTTED NUT
	SN3066		7/32" X 1 1/2" COTTER PIN
15	SN5129R		TANDEM PIVOT
	SN2098-5		GREASE ZERK, 1/8" NPTF, 1 1/4" L.
	SN3063		WALKING BEAM SEAL (NAT.204035,CR22870)
	SN3062		WALKING BEAM RACE (332)
	SN3061		WALKING BEAM BEARING (342A)
16	SNFK150013		1" X 5" HEX BOLT
	SN1283		1" LOCK WASHER
	SN110		1" HEX NUT
17	SN5133		LIFT ARM W/PIN HOLDER
18	SN7785R		TRANSPORT LOCK
	SN5201		BALL LOCK PIN, 3/8" X 3"
19	SN5123		TANDEM LIFT, CENTER
20	SN5126		TANDEM LIFT, RIGHT
21	SN5124		SINGLE LIFT, RIGHT (2" SPINDLE)
22	SNZK142890		GREASE ZERK
23	SN5302		PIPE CLAMP
24	SN175		3/8" X 1 1/2" HEX BOLT
	SN3566		3/8" LOCK NUT

I0000043

TANDEM LIFT AXLE ASSEMBLY



0044

3070 FALLOW KING
SERVICE PARTS

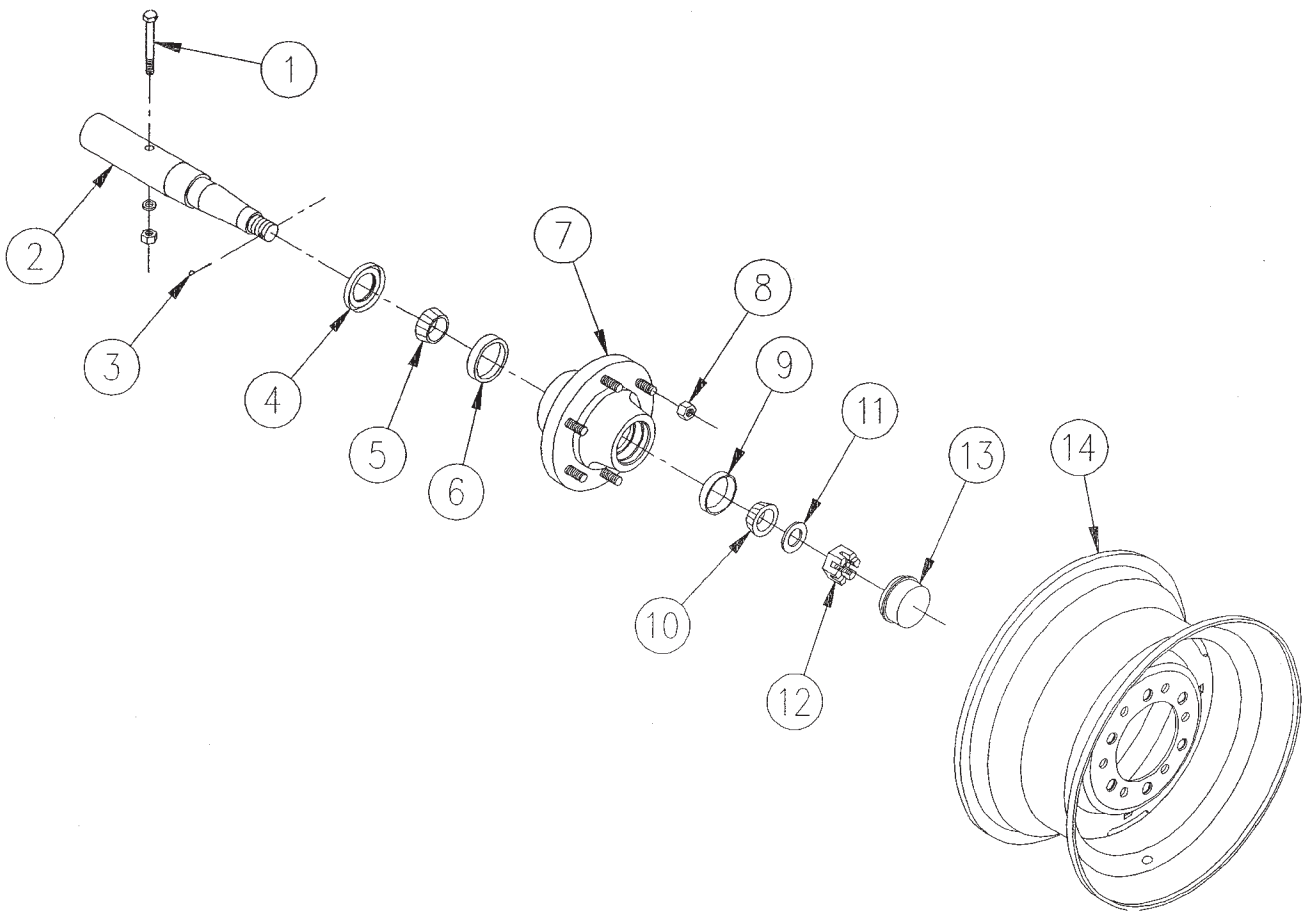
15

TANDEM LIFT AXLE ASSEMBLY

ITEM	NUMBER	QTY	DESCRIPTION
1	SN670		5/8" X 2" HEX BOLT
	SN669-1		5/8" LOCK NUT
2	SN5130		LIFT BEARING
3	SN5131		CYLINDER BRACKET BEARING
	SN2089		5/8" FLAT WASHER
	SN669-1		5/8" LOCK NUT
4	SN5128		TANDEM LIFT, LEFT
5	SN5132		LIFT CYLINDER BRACKET
6	SN2991		TANDEM AXLE SPINDLE
	SN245		1" FLAT WASHER
	SN2992		1" SLOTTED NUT
	SN3066		7/32" X 1 1/2" COTTER PIN
7	SN3299		2" X 13 1/4" SPINDLE
8	SN5129R		TANDEM PIVOT
	SN2098-5		GREASE ZERK, 1/8" NPTF, 1 1/4" L.
	SN3063		WALKING BEAM SEAL (NAT.204035,CR22870)
	SN3062		WALKING BEAM RACE (332)
	SN3061		WALKING BEAM BEARING (342A)
9	SN2585		7/16" X 3 1/2" HEX BOLT
	SN302		7/16" LOCK WASHER
	SN303		7/16" HEX NUT
10	SN5134		LIFT ARM
11	SNFK150074		1" X 3" HEX BOLT
	SN1283		1" LOCK WASHER
	SN110		1" HEX NUT
12	SN3150		LIFT ARM ADJUSTMENT BOLT
13	SN1849		1" JAM NUT
14	SN110		1" HEX NUT
15	SN5133		LIFT ARM W/PIN HOLDER
16	SNFK150013		1" X 5" HEX BOLT
	SN1283		1" LOCK WASHER
	SN110		1" HEX NUT
17	SN7785R		TRANSPORT LOCK
	SN5201		BALL LOCK PIN, 3/8" X 3"
18	SN5123		TANDEM LIFT, CENTER
19	SN5126		TANDEM LIFT, RIGHT
20	SNZK142890		GREASE ZERK
21	SN5302		PIPE CLAMP
22	SN175		3/8" X 1 1/2" HEX BOLT
	SN3566		3/8" LOCK NUT

I0000044

SIX BOLT HUB ASSEMBLY



**3070 FALLOW KING
SERVICE PARTS**

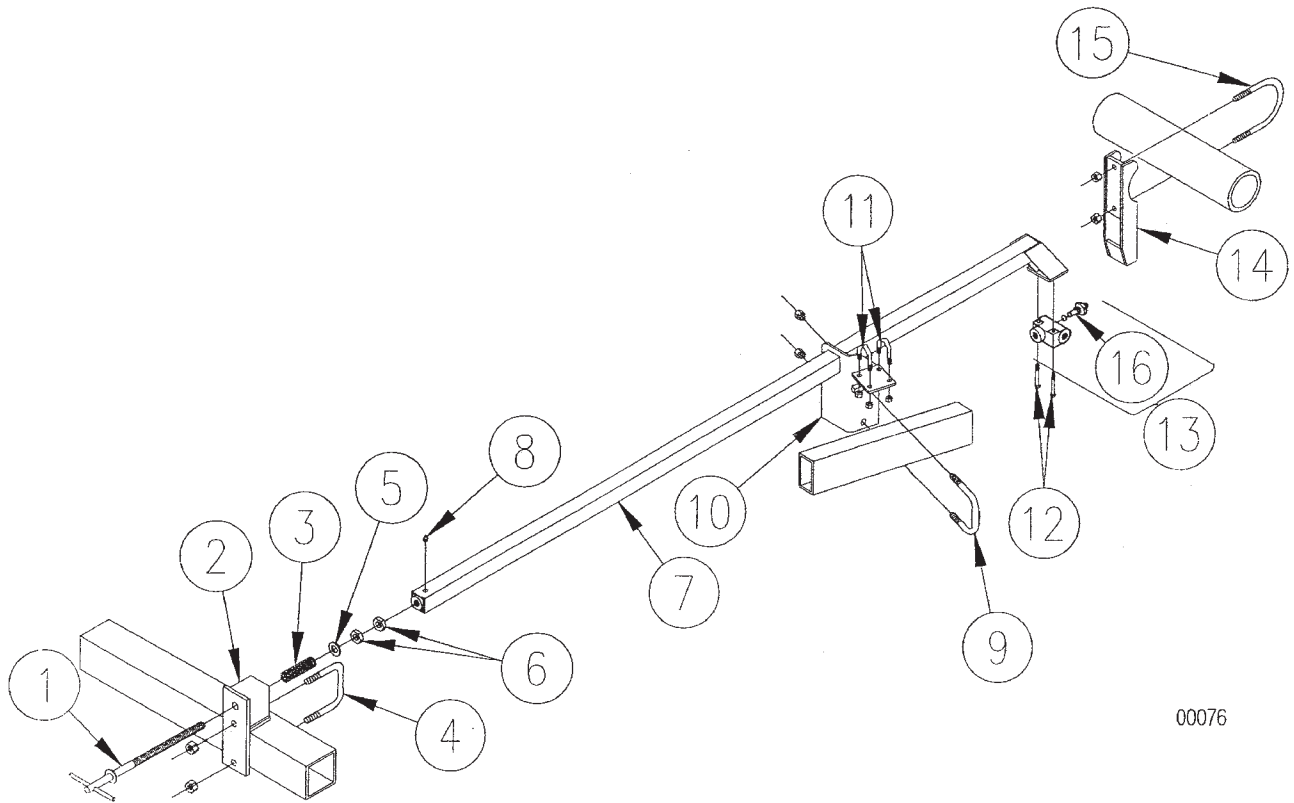
17

SIX BOLT HUB ASSEMBLY

ITEM	NUMBER	QTY	DESCRIPTION
1	SN2585		7/16" X 3 1/2" HEX BOLT
	SN302		7/16" LOCK WASHER
	SN303		7/16" HEX NUT
2	SN3299		2" X 13 1/4" SPINDLE, TANDEM TRANSPORT
	SN4776		2" X 14 5/8" SPINDLE, SINGLE TRANSPORT
3	SN3066		7/32" X 1 1/2" COTTER PIN
4	SN3301		TRIPLE LIP SEAL
5	SN1935		INNER BEARING (LM501349)
6	SN1936		INNER RACE (LM501310)
7	SN1937		SIX BOLT HUB
	SN3300		SIX BOLT HUB ASSEMBLY WITH 3301 SEAL (ITEMS 3 THRU 13)
8	SN3118		9/16" X 1 7/8" PRESS IN LUG BOLT
	SN3117		9/16" LUG NUT
9	SN1605		OUTER RACE (LM67010)
10	SN1606		OUTER BEARING (LM67048)
11	SN3303		1 1/32" I.D. X 1 3/4" O.D. WASHER
12	SN3302		1" SLOTTED FULL NUT
13	SN1610		DUST CAP
14	SN1944		WHEEL, 15 X 10, 6 BOLT
	SN3580		TIRE, 11L X 15, 8 PLY TUBELESS
	SN3058		TIRE, 11L, 8 PLY TUBELESS WITH 15 X 10 WHEEL ASSEMBLY, 6 BOLT
	SN5094		WHEEL, 15 X 6, 6 BOLT
	SN3578		TIRE, 9.5L X 15, 8 PLY TUBELESS
	SN5151		TIRE, 9.5L, 8 PLY TUBELESS WITH 15 X 6 WHEEL ASSEMBLY, 6 BOLT
	SN3579		TIRE, 9.5L X 15, 12 PLY TUBELESS
	SN5152		TIRE, 9.5L, 12 PLY TUBELESS WITH 15 X 6 WHEEL ASSEMBLY, 6 BOLT
	SN3577		VALVE STEM

I0000225

REMOTE DEPTH CONTROL ASSEMBLY



00076

3070 FALLOW KING
SERVICE PARTS

19

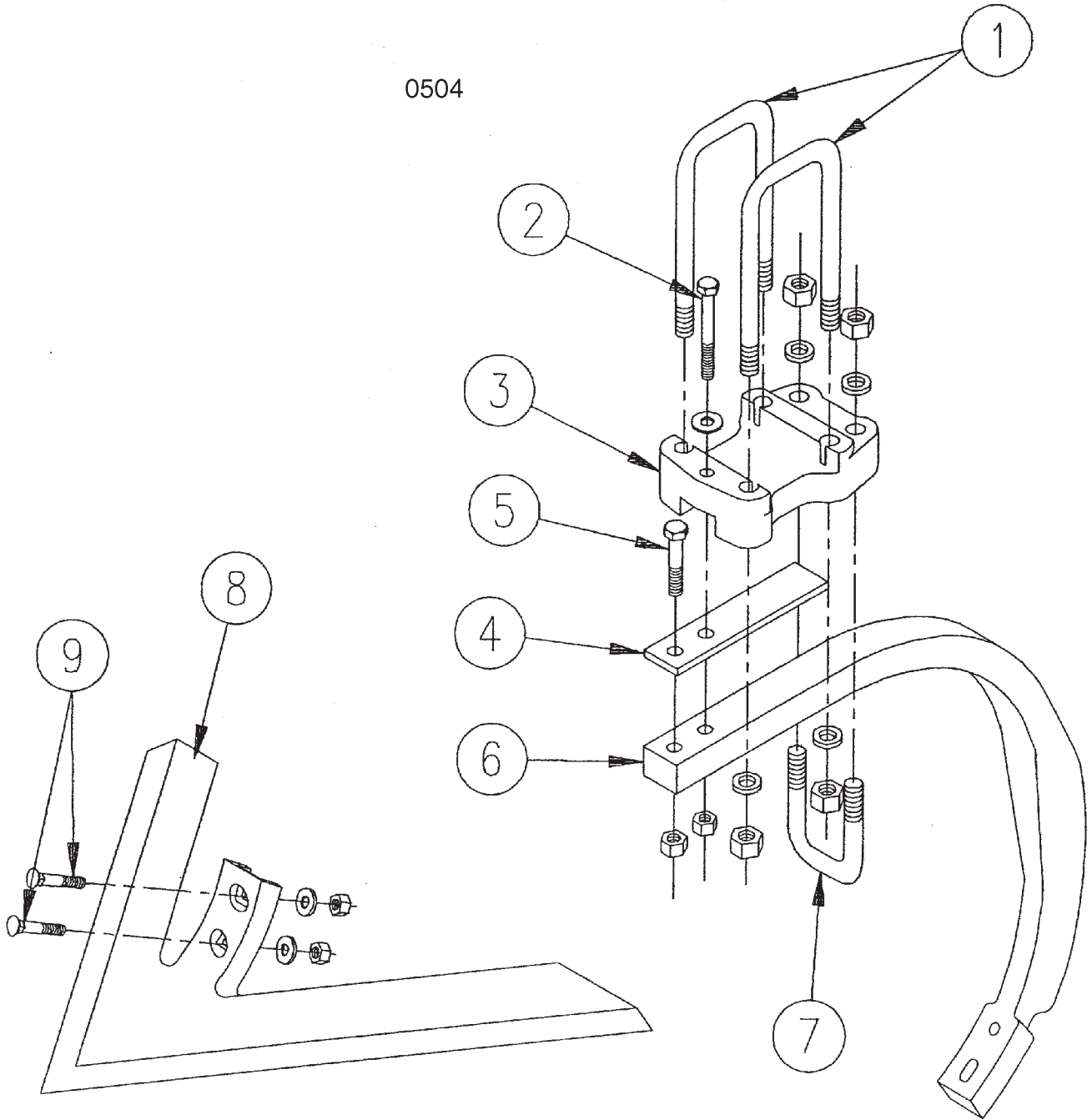
REMOTE DEPTH CONTROL ASSEMBLY

ITEM	NUMBER	QTY	DESCRIPTION
1	SN5137		THREADED REMOTE ADJUSTMENT
2	SN5135		FRONT TUBE MOUNT
3	SN4944		SPRING, 1.10" O.D.
4	SN3052		5/8" X 5 5/8" X 4 3/4" W. U-BOLT
	SN669-1		5/8" LOCK NUT
5	SN779		WASHER, 25/32" I.D.X 1 1/2" O.D.
6	SN1243		3/4" JAM NUT
7	SN5138		VALVE ADJUSTMENT TUBE, 85 7/16" LONG
8	SN2098-6		GREASE ZERK, 1/4"-28,L.
9	SN4638		1/2"X 3 1/4" X 4 1/2" W. U-BOLT
	SN2096		1/2" LOCK NUT
10	SN5136		GUIDE BRACKET
11	SN3894		3/8" X 1 1/2" W. TRI-BEND BOLT
	SN3566		3/8" LOCK NUT
12	SN1817		5/16" X 2 1/2" HEX BOLT
	SN3723		5/16" LOCK WASHER
	SN3724		5/16" HEX NUT
13	SN4732		DEPTH CONTROL VALVE ASSEMBLY
14	SN5139		ACTUATOR LEVER
15	SN5149		1/2" X 6 1/8" X 5" W. U-BOLT
	SN2096		1/2" LOCK NUT
16	SN8636-1		CARTRIDGE ASSY

I0000076

RIGID SHEAR BOLT SHANK ASSEMBLY

0504



3070 FALLOW KING
SERVICE PARTS

21

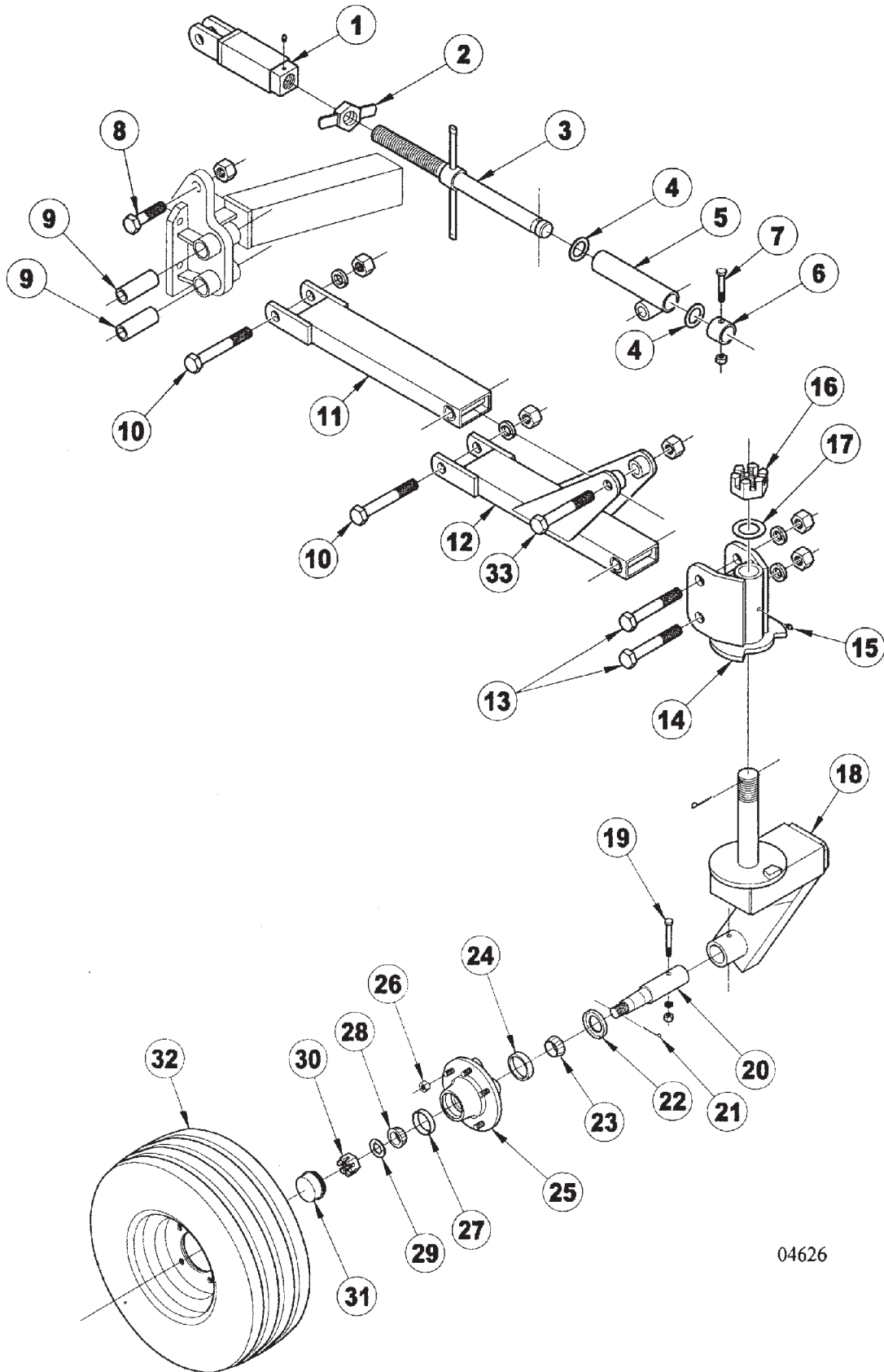
RIGID SHEAR BOLT SHANK ASSEMBLY

ITEM	NUMBER	QTY	DESCRIPTION
1	SN3877		3/4" X 6 3/4" X 4 13/16" W. U-BOLT
	SN1040		3/4" LOCK WASHER
	SN106		3/4" HEX NUT
2	SN3756		9/16" X 4 1/2" HEX BOLT, GRADE 5
	SN3759		9/16" FLAT WASHER
	SN3757		9/16" LOCK NUT
3	SN3751		SHANK CLAMP CASTING
4	SN3753		SHANK STOP
5	SN3758		5/8" X 3" HEX BOLT
	SN669-1		5/8" LOCK NUT
6	SN5540		SHANK, 1 1/2" X 2" X 30"
7	SN3754		3/4" X 4 1/4" X 3 3/8" W. U-BOLT
	SN1040		3/4" LOCK WASHER
	SN106		3/4" HEX NUT
	SN5556		RIGID SHEAR BOLT SHANK ASSY.(ITEMS 1-7)
8	SN5543		26" HFB STRAIGHT WING SWEEP
	SN7012		32" HFB STRAIGHT WING SWEEP
9	SN2949		1/2" X 3" PLOW BOLT
	SN5290		1/2" FLAT WASHER
	SNFK150213		1/2" HEX NUT

I0000504

3070 FALLOW KING
SERVICE PARTS

GAUGE WHEEL ASSEMBLY



**3070 FALLOW KING
SERVICE PARTS**

23

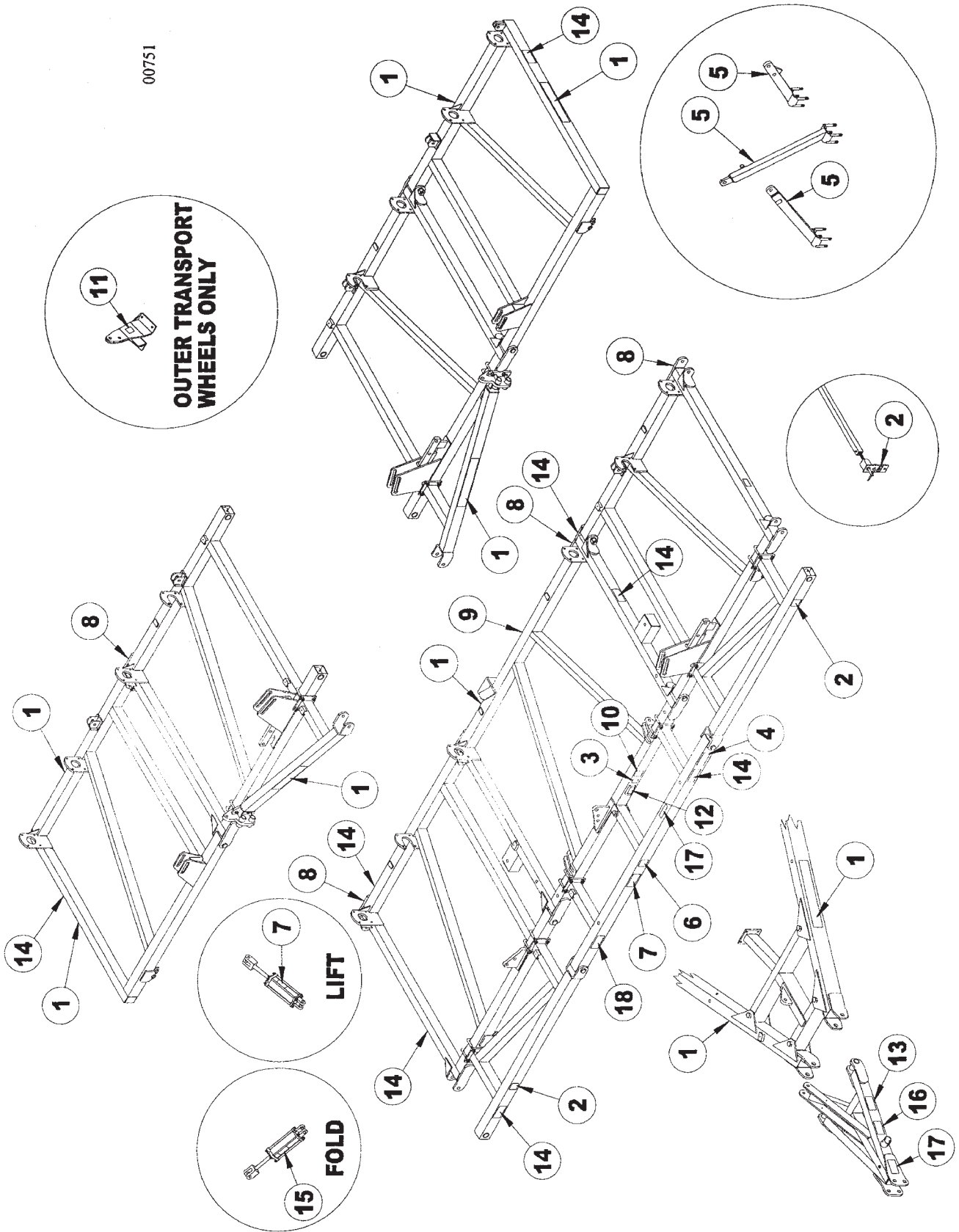
GAUGE WHEEL ASSEMBLY

ITEM	NUMBER	QTY	DESCRIPTION
1	SN2526		FEMALE LINKAGE
	SN2098-1		GREASE ZERK, 1/8" NPTF, 5/8" L.
2	SN2519		1 1/2" WING NUT
3	SN6296		CONNECTING LINK SCREW W/HANDLE
4	SN3095		FLAT WASHER, 1 1/2" I.D. X 2 1/4" O.D.
5	SN6298		CONNECTING LINK MOUNT
6	SN6297		CONNECTING LINK COLLAR
7	SN1304		1/2" X 2 3/4" HEX BOLT
	SN2096		1/2" LOCK NUT
	SN6287		CONNECTING LINK ASSY. (ITEMS 1 - 7)
8	SN155		1" X 3 1/2" HEX BOLT
	SN3938		1" LOCK NUT
9	SN5197		LOOSE BUSHING
10	SNFK150052		1" X 6" HEX BOLT
	SN1283		1" LOCK WASHER
	SN110		1" HEX NUT
11	SN5195		UPPER LINK
12	SN5196		LOWER LINK
13	SN1282		1" X 6 1/2" HEX BOLT
	SN1283		1" LOCK WASHER
	SN110		1" HEX NUT
14	SN5830		PIVOT PLATE
15	SN2098-1		GREASE ZERK, 1/8" NPTF, 5/8" L.
16	SN2036		1 3/4" SLOTTED NUT
17	SN2756		1 13/16" I.D. X 2 13/16" O.D. FLAT WASHER
18	SN5831		H.D. GAUGE WHEEL AXLE
	SN108		5/16" X 2 1/2" COTTER PIN
19	SN2585		7/16" X 3 1/2" HEX BOLT
	SN302		7/16" LOCK WASHER
	SN303		7/16" HEX NUT
20	SN3309		GAUGE WHEEL SPINDLE, 1 3/4" X 8 1/2"
21	SN1609		3/16" X 1 1/2" COTTER PIN
22	SN1799		TRIPLE LIP SEAL (C/R 17618)
23	SN1602		INNER BEARING (LM48548)
24	SN1603		INNER RACE (LM48510)
25	SN1604		FIVE BOLT HUB WITH RACES
	SN2799		FIVE BOLT HUB ASSEMBLY (ITEMS 22 - 32)
26	SN1611-1		1/2" X 2" LUG BOLT
	SN1611		1/2" LUG NUT
27	SN1605		OUTER RACE (LM67010)
28	SN1606		OUTER BEARING (LM67048)
29	SN3303		1 1/32" I.D. X 1 3/4" O.D. WASHER
30	SN3302		1" SLOTTED FULL NUT
31	SN1610		DUST CAP
32	SN2390		WHEEL, 6 X 10
	SN2801		TIRE, 20.5 X 8 X 10 WHEEL ASSEMBLY
	SN2391		TIRE, 20.5 X 8 X 10
	SN2392		TUBE, 20.5 X 8 X 10
	SN5833		GAUGE WHEEL ASSEMBLY W/STOP (ITEMS 1 - 32)
33	SN1282		HEX BOLT, 1"-8 X 6 1/2", GR 5, Y/D
	SN3938		LOCK NUT, 1"-8 HEX NYLON INSERT, GR2, Y/D

I0004626

SAFETY AND IDENTIFICATION DECALS

00751



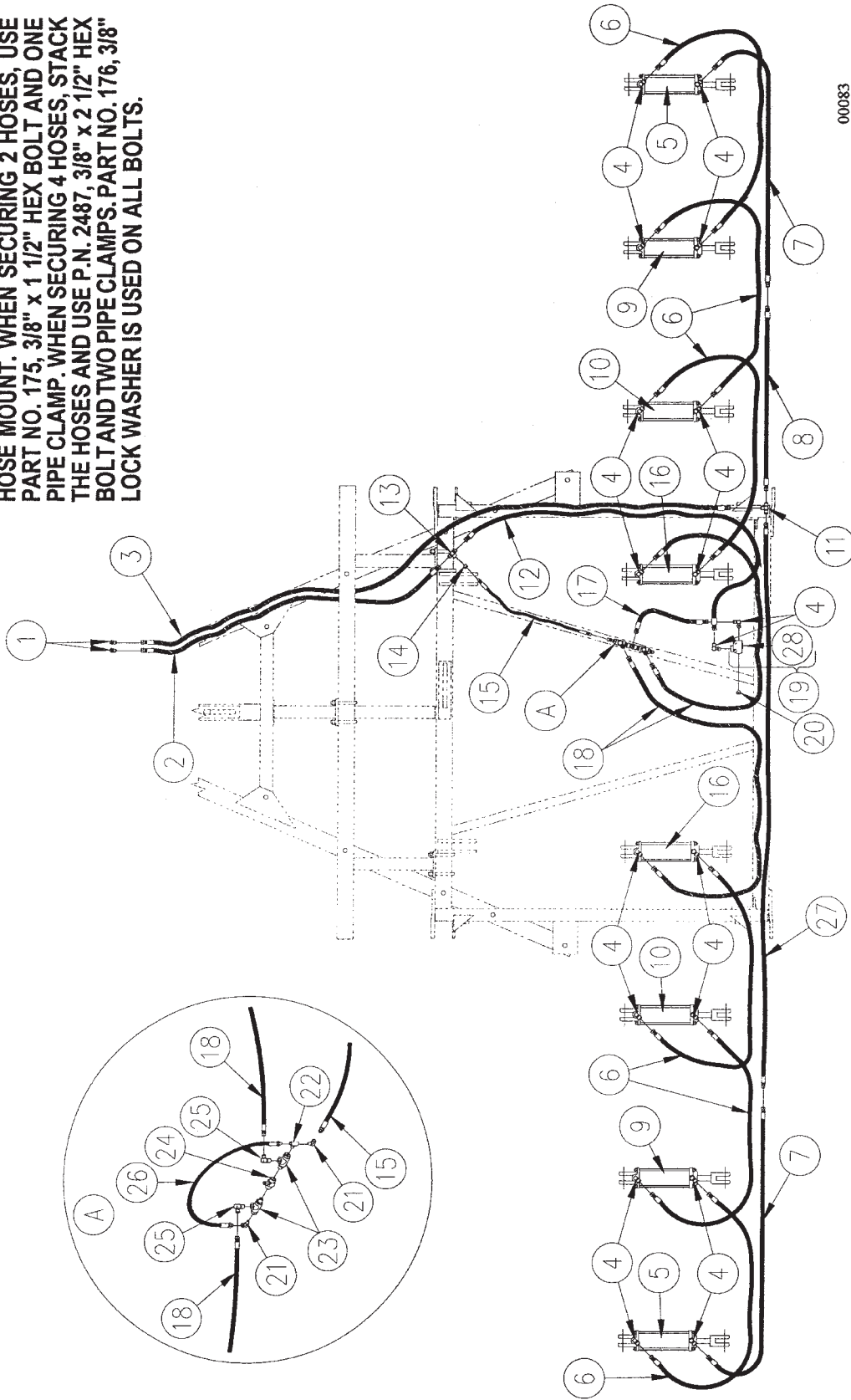
SAFETY AND IDENTIFICATION DECALS

ITEM	NUMBER	QTY	DESCRIPTION
1	SN997002		SUNFLOWER DECAL (SHOWN)
2	SN997317		DIRECTIONAL DEPTH INDICATOR
3	SN997246		FEMA SYMBOL
4	SN997041		AMBER REFLECTIVE TAPE
5	SN997313		CAUTION-INSTALL LOCK PIN(S)
6	SN997314		IMPORTANT-LIFT WHEELS MUST BE USED
7	SN997052		IMPORTANT-REPHASING HYD. SYSTEM
8	SN997040		RED REFLECTIVE TAPE
9	SN997177		3070 SERIES NUMBER (SHOWN)
	SN997284		3170 SERIES NUMBER
10	SN997263		TILLAGE PROMOTES SAFER ENVIRONMENT
11	SN997312		WARNING-MECHANICAL OR HYD. FAILURE
12			SERIAL NUMBER PLATE
13	SN997311		WARNING- HIGH PRESSURE FLUID HAZARD
14	SN997042		DANGER-OVERHEAD WING HAZARD
15	SN997309		WARNING-HYDRAULIC SYSTEM HAZARD
16	SN997048		CAUTION- TOWING HAZARD
17	SN997043		CAUTION-READ OPERATOR'S MANUAL
18	SN997045		DANGER - ELECTROCUTION HAZARD

I0000751

HYDRAULIC LIFT SYSTEM (VERSION 1)

PART NO. 5302 PIPE CLAMP IS USED AT EACH HOSE MOUNT. WHEN SECURING 2 HOSES, USE PART NO. 175, 3/8" x 1 1/2" HEX BOLT AND ONE PIPE CLAMP. WHEN SECURING 4 HOSES, STACK THE HOSES AND USE P.N. 2487, 3/8" x 2 1/2" HEX BOLT AND TWO PIPE CLAMPS. PART NO. 176, 3/8" LOCK WASHER IS USED ON ALL BOLTS.



00083

HYDRAULIC LIFT SYSTEM (Version 1)

**3070 FALLOW KING
SERVICE PARTS**

27

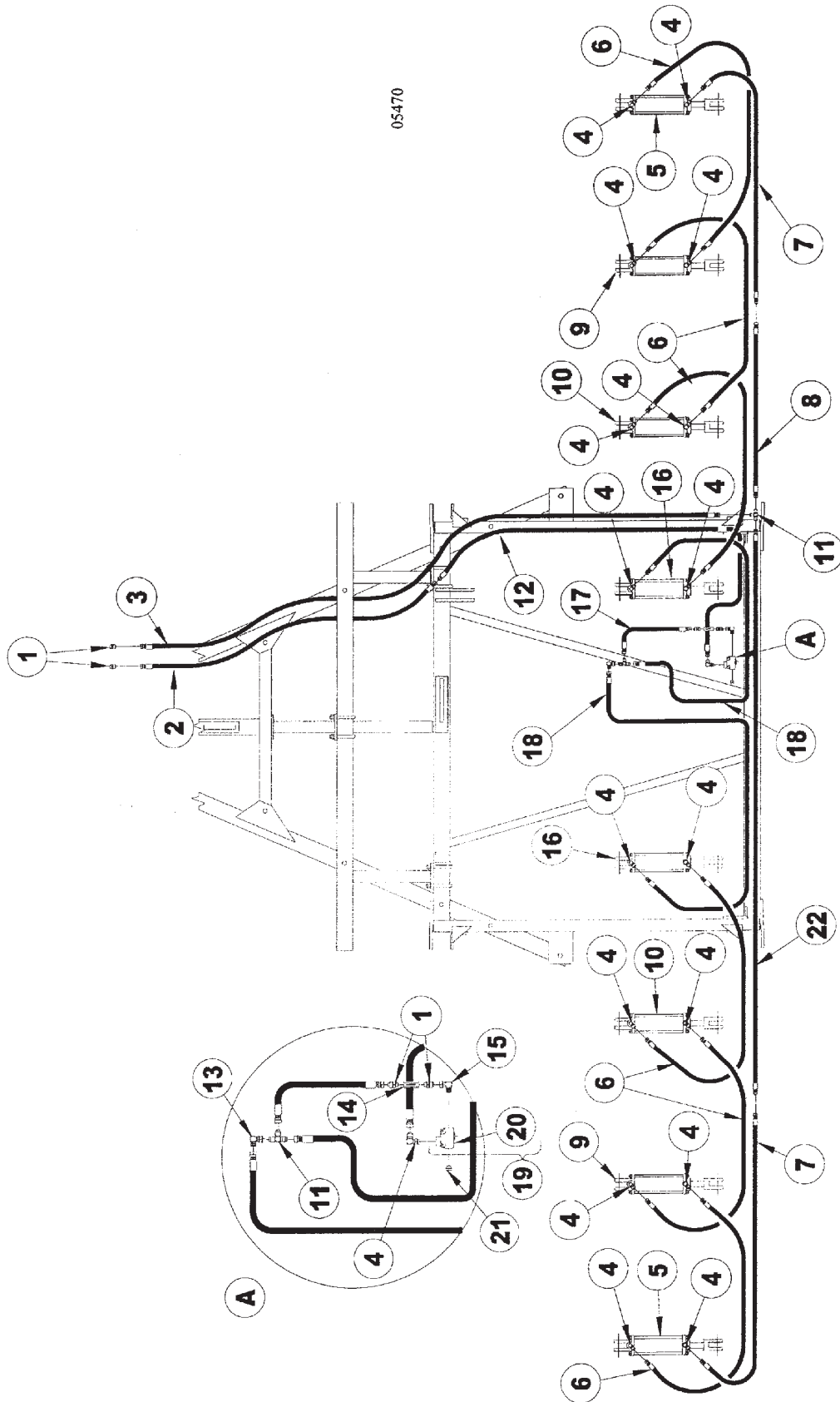
HYDRAULIC LIFT SYSTEM (VERSION 1)

ITEM	NUMBER	QTY	DESCRIPTION
1	SN2426		MALE CONNECTOR, 7/8"-14 M.F. X 1/2"-14 M.P.T
2	SN4166005		HOSE, 1/2" X 166" LONG, FEMALE ENDS
3	SN4255005		HOSE, 1/2" X 255" LONG, FEMALE ENDS
4	SN4456		90 DEG. STRAIGHT THREAD ELBOW, 7/8"-14 M.F. X 3/4"-16 O.R.
5	SN4433R		3 1/4" X 10" REPHASING CYLINDER (22 1/4" CPC) CROSS
6	SN4170005		HOSE, 1/2" X 170" LONG, FEMALE ENDS
7	SN4130006		HOSE, 1/2" X 130" LONG; MALE TO FEMALE ENDS
8	SN4117005		HOSE, 1/2" X 117" LONG, FEMALE ENDS
9	SN4432R		3 1/2" X 10" REPHASING CYLINDER (22 1/4" CPC) CROSS
10	SN4431R		3 3/4" X 10" REPHASING CYLINDER (22 1/4" CPC)CROSS
11	SN4460		UNION TEE, 7/8"-14 M.F.
12	SN4146005		HOSE, 1/2" X 146" LONG, FEMALE ENDS
13	SN4453		FEMALE BRANCH TEE, 7/8"-14 M.F. X 1/2" F.P.T.
14	SNFK330283		BUSHING, 1/2" X 1/4" PIPE REDUCER
15	SN4067007		HOSE, 1/2" X 67" LONG, MALE PIPE ENDS
16	SN4430R		4" X 10" REPHASING CYLINDER (22 1/4" CPC) CROSS
17	SN4029005		HOSE, 1/2" X 29" LONG, FEMALE ENDS
18	SN4098005		HOSE, 1/2" X 98" LONG, FEMALE ENDS
19	SN4732		DEPTH CONTROL VALVE ASSEMBLY
20	SN4458		PLUG, 3/4"-16 O.R.
21	SN4480		90 DEG. STREET ELBOW, 1/4"-18 M.P.T. X 1/4"-18 F.P.T.
22	SN4481		MALE BRANCH TEE, 1/4"-18 M.P.T. X 1/4"-18 F.P.T
23	SN5154		CHECK VALVE, PILOT OPERATED
24	SN4471		TUBE BRANCH TEE, 7/8"-14 M.F. X 1/2"-14 F.P.T.
25	SN2428		90 DEG. MALE ELBOW, 7/8"-14 M.F. X 1/2"-14 M.P.T.
26	SN4021007		HOSE, 1/4" X 21" LONG, MALE PIPE ENDS
27	SN4218005		HOSE, 1/2" X 218" LONG, FEMALE ENDS
28	SN8636-1		CARTRIDGE ASSEMBLY

I0000083

3070 FALLOW KING
SERVICE PARTS

HYDRAULIC LIFT SYSTEM (VERSION 2)



**3070 FALLOW KING
SERVICE PARTS**

29

HYDRAULIC LIFT SYSTEM (VERSION 2)

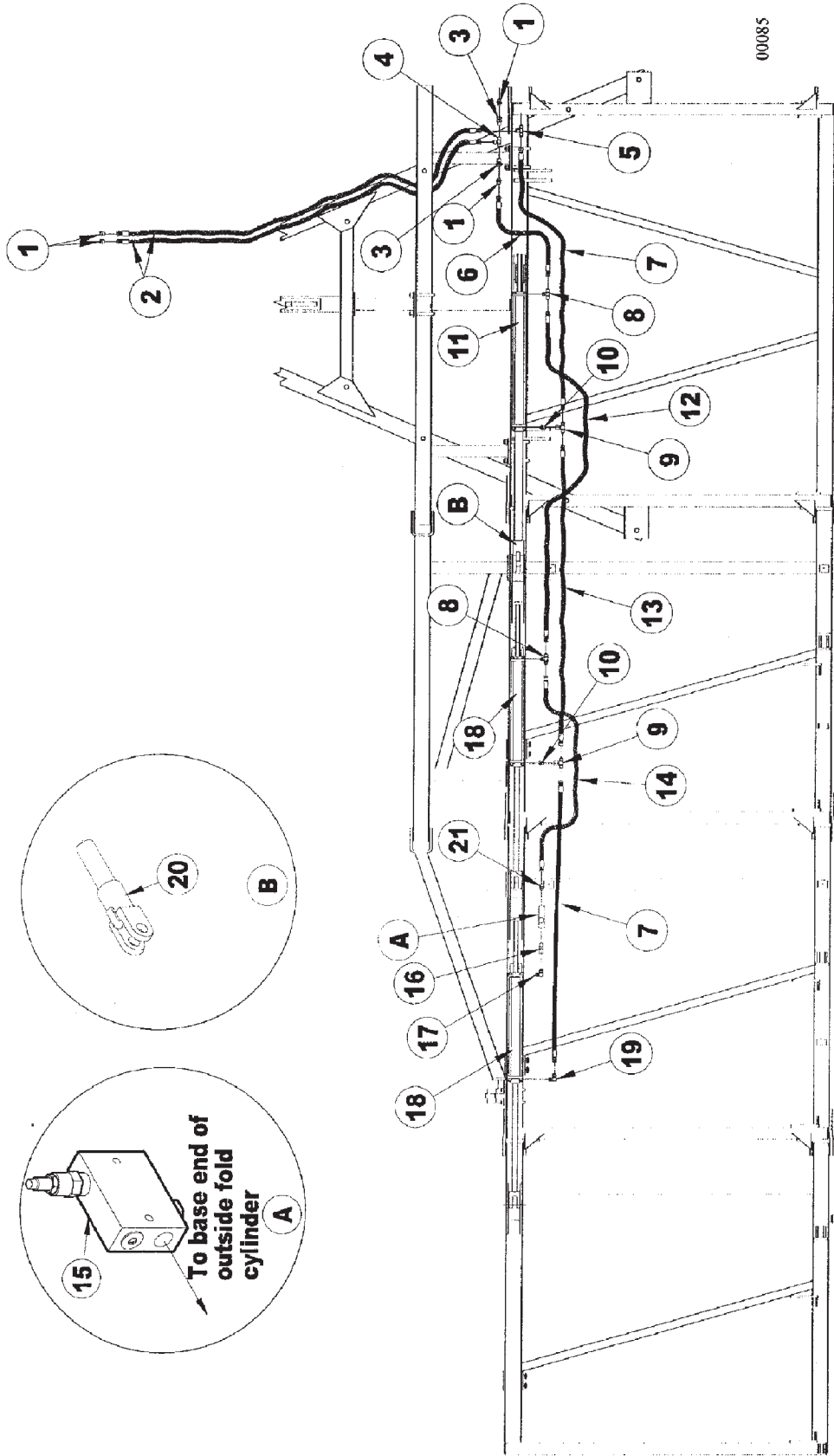
ITEM	NUMBER	QTY	DESCRIPTION
1	SN2426		MALE CONNECTOR, 7/8"-14 M.F. X 1/2"-14 M.P.T
2	SN4166005		HOSE, 1/2" X 166" LONG, FEMALE ENDS
3	SN4255005		HOSE, 1/2" X 255" LONG, FEMALE ENDS
4	SN4456		90 DEG. STRAIGHT THREAD ELBOW, 7/8"-14 M.F. X 3/4"-16 O.R.
5	SN4433R		3 1/4" X 10" REPH CYLINDER(22 1/4" CPC) CROSS (*VERSION 1, PRIOR TO 4/09/03)
	SN10817		CYLINDER, 3 1/4" X 10" (22 1/4"CPC)CROSS 3000 PSI (*VERSION 2, 4/09/03 & LATER)
6	SN4170005		HOSE, 1/2" X 170" LONG, FEMALE ENDS
7	SN4130006		HOSE, 1/2" X 130" LONG; MALE TO FEMALE ENDS
8	SN4117005		HOSE, 1/2" X 117" LONG, FEMALE ENDS
9	SN4432R		3 1/2" X 10" REPHASING CYLINDER (22 1/4" CPC) CROSS (*VERSION 1)
	SN10816		CYLINDER, 3 1/2" X 10" REPH (22 1/4"CPC) ORB CROSS, 3000 PSI (*VERSION 2)
10	SN4431R		3 3/4" X 10" REPH CYLINDER (22 1/4" CPC) CROSS (*VERSION 1, PRIOR TO 4/09/03)
	SN10815		CYLINDER, 3 3/4" X 10" (22 1/4"CPC)CROSS 3000 PSI (*VERSION 2, 4/09/03 & LATER)
11	SN4460		UNION TEE, 7/8"-14 M.F.
12	SN4146005		HOSE, 1/2" X 146" LONG, FEMALE ENDS
13	SN4478		90 DEG SWIVEL ELBOW, 7/8"- 14 MF X 7/8"-14 FF
14	SN4484		IN LINE RESTRICTOR, 1/2-14 FPT, W/5/32" REST
15	SN5347		90 DEG SWIVEL ELBOW, 7/8"-14 FF X 3/4"-16 MOR
16	SN4430R		4" X 10" REPHASING CYLINDER (22 1/4" CPC) CROSS (*VERSION 1)
	SN10814		CYLINDER, 4" X 10" REPH (22 1/4" CPC) ORB CROSS, 3000 PSI (*VERSION 2)
17	SN4029005		HOSE, 1/2" X 29" LONG, FEMALE ENDS
18	SN4098005		HOSE, 1/2" X 98" LONG, FEMALE ENDS
19	SN4732		DEPTH CONTROL VALVE ASSEMBLY
20	SN8636-1		CARTRIDGE ASSY, CROSS
21	SN4458		PLUG, 3/4"-16 O.R.
22	SN4218005		HOSE, 1/2" X 218" L, FEMALE ENDS

*NOTE: WHEN ORDERING HYDRAULIC CYLINDER
COMPONENTS, NOTE THE PART NUMBER AND THE
CYLINDER PSI. (LOCATED ON THE CYLINDER
DECAL) AS THEY CONTAIN DIFFERENT
COMPONENTS.

I0005470

HYDRAULIC FOLD SYSTEM, LEFT HALF

PART NO. 5302 PIPE CLAMP IS USED AT EACH HOSE MOUNT. WHEN SECURING 2 HOSES, USE PART NO. 175, 3/8" x 1 1/2" HEX BOLT AND ONE PIPE CLAMP. WHEN SECURING 4 HOSES, STACK THE HOSES AND USE P.N. 2487, 3/8" x 2 1/2" HEX BOLT AND TWO PIPE CLAMPS. PART NO. 176, 3/8" LOCK WASHER IS USED ON ALL BOLTS.



00085

**3070 FALLOW KING
SERVICE PARTS**

31

HYDRAULIC FOLD SYSTEM, LEFT HALF

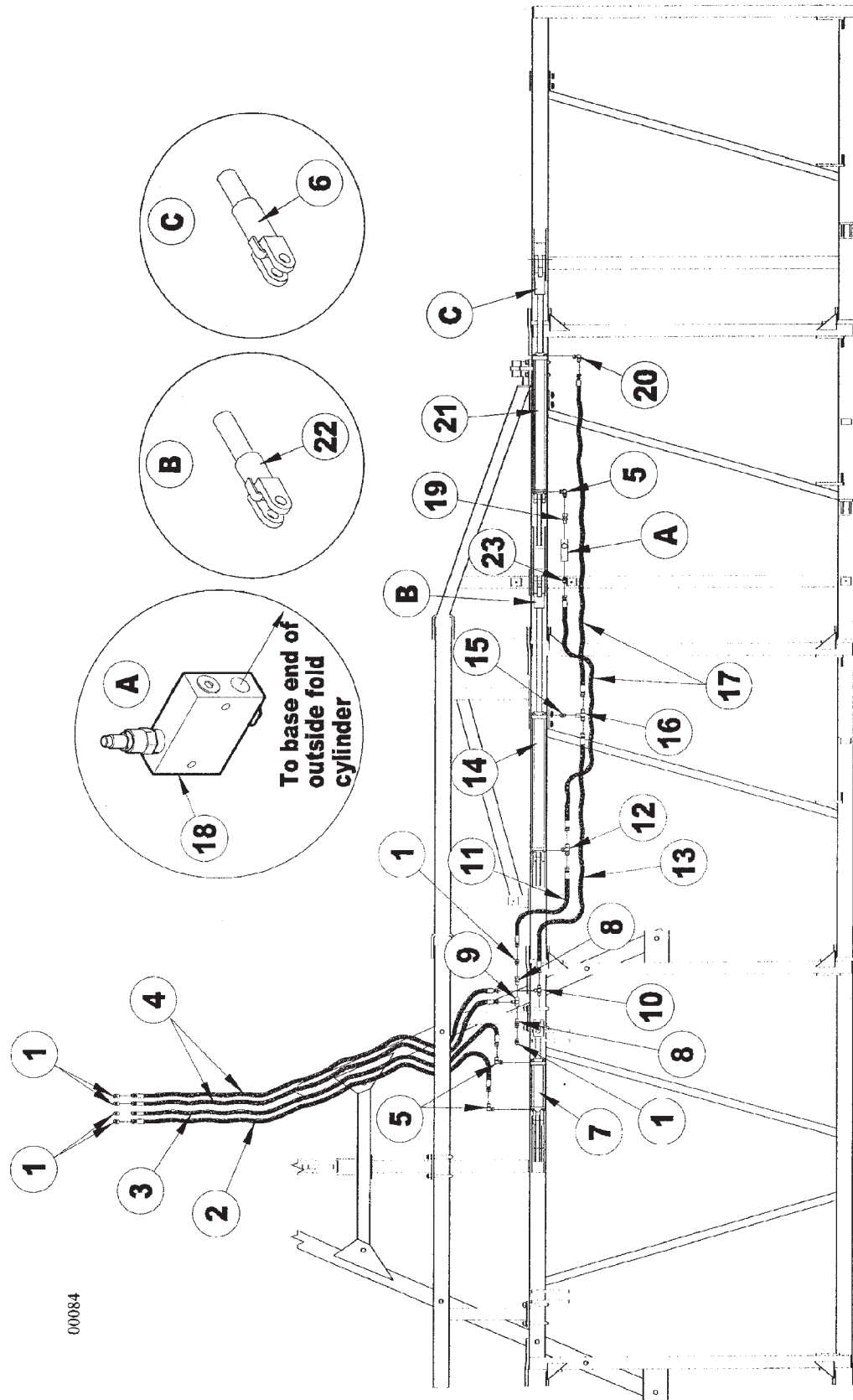
ITEM	NUMBER	QTY	DESCRIPTION
1	SN2425		MALE CONNECTOR, 3/4"-16 M.F. X 1/2"-14 M.P.T.
2	SN4172002		HOSE, 3/8" X 172" LONG, FEMALE ENDS
3	SN2076		STRAIGHT ADAPTOR UNION, 1/2"-14 PIPE THREAD WITH 1/16" RESTRICTOR
4	SN4470		TUBE BRANCH TEE, 3/4"-16 M.F. X 1/2"-14 F.P.T.
5	SN2429		UNION TEE, 3/4"-16 M.F.
6	SN4046002		HOSE, 3/8" X 46" LONG, FEMALE ENDS
7	SN4079002		HOSE, 3/8" X 79" LONG, FEMALE ENDS
8	SN4451		STRAIGHT THREAD BRANCH TEE, 3/4"-16 M.F. X 3/4"-16 O.R.
9	SN4473		SWIVEL NUT BRANCH TEE
10	SN4465		STRAIGHT THREAD CONNECTOR, 3/4"-16 M.F. X 3/4"-16 O.R.
11	SN4414R		5" X 30" FOLD CYLINDER (42 1/4" CPC) ORB (*VERSION 1)
	SN12035		CYLINDER, 5" X 30" FOLD (42 1/4" CPC) ORB CROSS, 3000 PSI (*VERSION 2)
12	SN4092002		HOSE, 3/8" X 92" LONG, FEMALE ENDS
13	SN4087002		HOSE, 3/8" X 87" LONG, FEMALE ENDS
14	SN4070002		HOSE, 3/8" X 70" LONG, FEMALE ENDS
15	SN10836		VALVE, COUNTERBALANCE
16	SN10837		MALE O.R. TO JIC SWIVEL CONNECTOR, 3/4-16 O.R. TO 3/4-16 F.F.
17	SN4454		90 DEG. STRAIGHT THREAD ELBOW, 3/4"-16 M.F. X 3/4"-16 O.R.
18	SN4405R		4" X 24" FOLD CYLINDER (34 1/4" CPC) ORB (*VERSION 1, PRIOR TO 4/17/03)
	SN10813		CYLINDER, 4" X 24" FOLD(34 1/4" CPC) CROSS, 3000 PSI (*VERSION 2, 4/17/03 & LATER)
19	SN4455		90 DEG. STRAIGHT THREAD ELBOW, 3/4"-16 M.F. X 3/4"-16 O.R. WITH 1/16" RESTRICTOR
20	SN5160		CYLINDER SPACER
21	SN4463		STRAIGHT THD.CONNECTOR, 3/4"-16 MF X 3/4"-16 MOR

*NOTE: WHEN ORDERING HYDRAULIC CYLINDER
COMPONENTS, NOTE THE PART NUMBER AND THE
CYLINDER PSI. (LOCATED ON THE CYLINDER
DECAL) AS THEY CONTAIN DIFFERENT
COMPONENTS.

I0000085

HYDRAULIC FOLD SYSTEM, RIGHT HALF

PART NO. 5302 PIPE CLAMP IS USED AT EACH HOSE MOUNT. WHEN SECURING 2 HOSES, USE PART NO. 175, 3/8" x 1 1/2" HEX BOLT AND ONE PIPE CLAMP. WHEN SECURING 4 HOSES, STACK THE HOSES AND USE P.N. 2487, 3/8" x 2 1/2" HEX BOLT AND TWO PIPE CLAMPS. PART NO. 176, 3/8" LOCK WASHER IS USED ON ALL BOLTS.



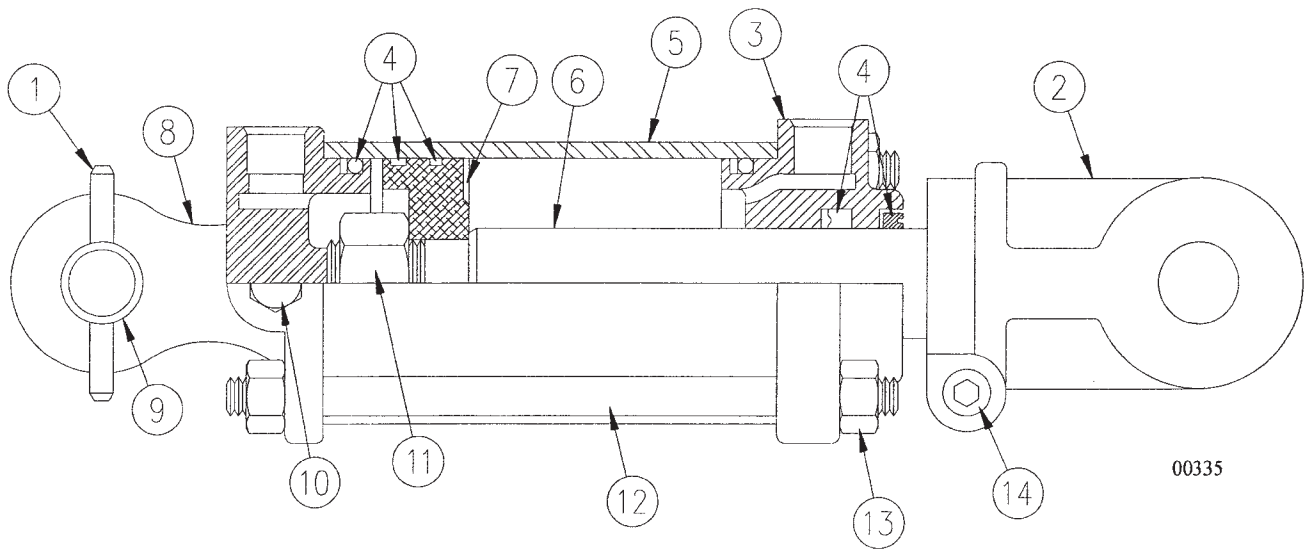
00084

ITEM	NUMBER	QTY	DESCRIPTION
1	SN2425		MALE CONNECTOR, 3/4"-16 M.F. X 1/2"-14 M.P.T.
2	SN4200002		HOSE, 3/8" X 200" LONG, FEMALE ENDS
3	SN4188002		HOSE, 3/8" X 188" LONG, FEMALE ENDS
4	SN4172002		HOSE, 3/8" X 172" LONG, FEMALE ENDS
5	SN4454		90 DEG. STRAIGHT THREAD ELBOW, 3/4"-16 M.F. X 3/4"-16 O.R.
6	SN5161		CYLINDER SPACER
7	SN4446R		3" X 8" CYLINDER (20 1/4" CPC) (*VERSION 1)
	SN12049		CYLINDER, 3" X 8" (20 1/4"CPC) ORB CROSS 3000 PSI (*VERSION 2)
8	SN2076		STRAIGHT ADAPTOR UNION, 1/2"-14 PIPE THREAD WITH 1/16" RESTRICTOR
9	SN4470		TUBE BRANCH TEE, 3/4"-16 M.F. X 1/2"-14 F.P.T.
10	SN2429		UNION TEE, 3/4"-16 M.F.
11	SN4041002		HOSE, 3/8" X 41" LONG, FEMALE ENDS
12	SN4451		STRAIGHT THREAD BRANCH TEE, 3/4"-16 M.F. X 3/4"-16 O.R.
13	SN4082002		HOSE, 3/8" X 82" LONG, FEMALE ENDS
14	SN4403R		4" X 30" FOLD CYLINDER (40 1/4" CPC) ORB (*VERSION 1, PRIOR TO 4/17/03)
	SN10812		CYLINDER, 4" X 30" (40 1/4" CPC)ORB CROSS CROSS, 3000 PSI (*VERSION 2, 4/17/03 & LATER)
15	SN4465		STRAIGHT THREAD CONNECTOR, 3/4"-16 M.F. X 3/4"-16 O.R. WITH 1/16" RESTRICTOR
16	SN4473		SWIVEL NUT BRANCH TEE
17	SN4085002		HOSE, 3/8" X 85" LONG, FEMALE ENDS
18	SN10836		VALVE, COUNTERBALANCE
19	SN10837		MALE O.R. TO JIC SWIVEL CONNECTOR, 3/4-16 O.R. TO 3/4-16 F.F.
20	SN4455		90 DEG. STRAIGHT THREAD ELBOW, 3/4"-16 M.F. X 3/4"-16 O.R. WITH 1/16" RESTRICTOR
21	SN4405R		4" X 24" FOLD CYLINDER (34 1/4" CPC) ORB (*VERSION 1, PRIOR TO 4/17/03)
	SN10813		CYLINDER, 4" X 24" FOLD(34 1/4" CPC) CROSS, 3000 PSI (*VERSION 2, 4/17/03 & LATER)
22	SN5159		CYLINDER SPACER

*NOTE: WHEN ORDERING HYDRAULIC CYLINDER
COMPONENTS, NOTE THE PART NUMBER AND THE
CYLINDER PSI. (LOCATED ON THE CYLINDER
DECAL) AS THEY CONTAIN DIFFERENT
COMPONENTS.

I0000084

3" X 8" CROSS CYLINDER (VERSION 1)



00335

3070 FALLOW KING
SERVICE PARTS

35

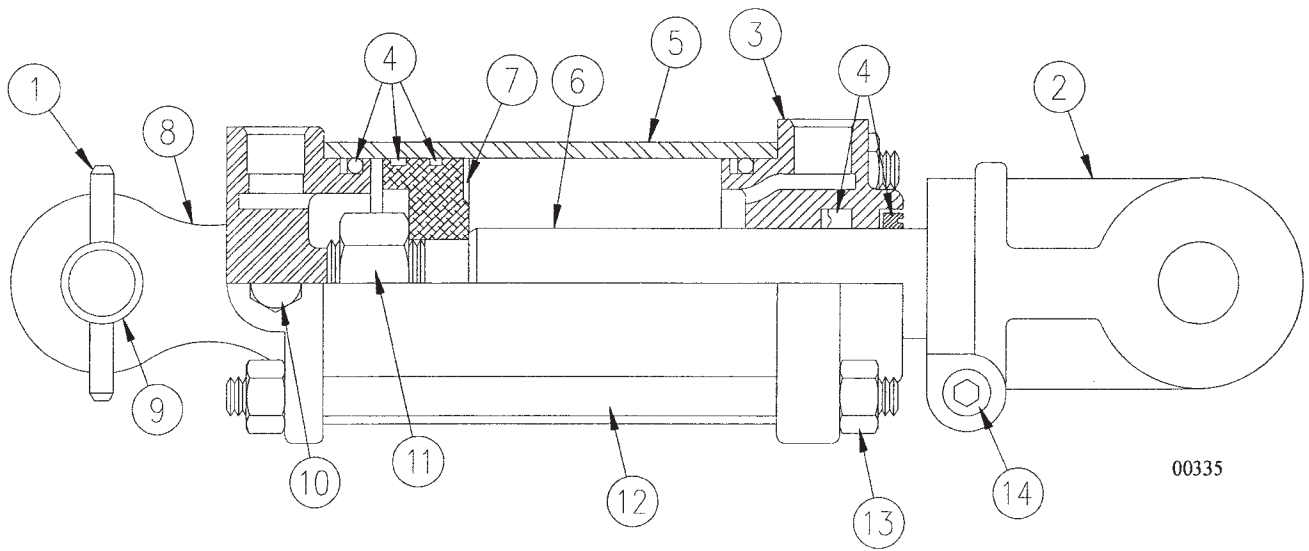
3" X 8" CROSS CYLINDER (VERSION 1)

ITEM	NUMBER	QTY	DESCRIPTION
1	SN3164		5/16" X 2" ROLL PIN
2	SN8615-1		CLEVIS, 1 1/4" THREADS
3	SN8719-10		HEAD, 3", 1 1/4" ROD
4	SN8762-1		SEAL KIT, 3", 1 1/4" ROD
5	SN8816-1		TUBE, 3" X 8"
6	SN8881-1		1 1/4" ROD
7	SN8711-1		PISTON, 3" W/3/4" HOLE
8	SN8701-10		BASE, 3"
9	SN5339		1" X 4 1/16" PIN
10	SN4458		PLUG, 3/4"-16 O.R.
11	SN8681-1		PISTON NUT, 3/4"
12	SN8846-1		TIE ROD BOLT
13	SN8866-1		TIE ROD NUT
14	SN8631-1		CAPSCREW
	SN8671-1		CAPSCREW NUT
	SN4446R		3" X 8" CROSS CYLINDER

NOTE: WHEN ORDERING HYDRAULIC CYLINDER COMPONENTS, NOTE THE PART NUMBER AND THE CYLINDER PSI. (LOCATED ON THE CYLINDER DECAL) AS THEY CONTAIN DIFFERENT COMPONENTS.

I0000335

3" X 8" CROSS CYLINDER (VERSION 2)



00335

3070 FALLOW KING
SERVICE PARTS

37

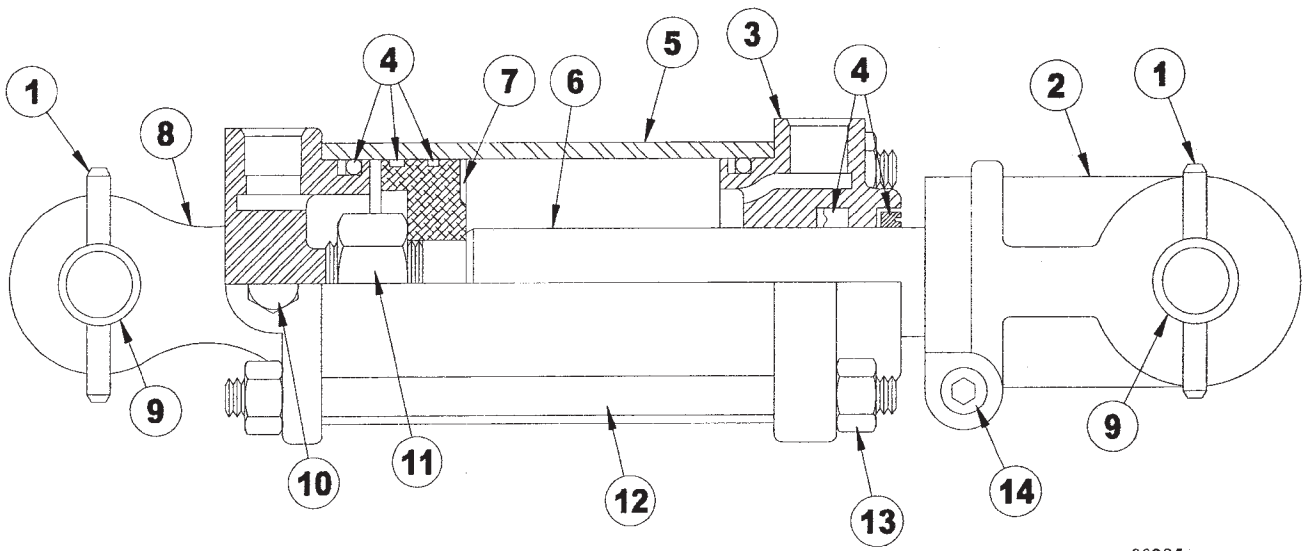
3" X 8" CROSS CYLINDER (VERSION 2)

ITEM	NUMBER	QTY	DESCRIPTION
1	SN3164		5/16" X 2" ROLL PIN
2	SN8615-1		CLEVIS, 1 1/4" THREADS
3	SN8931-10		HEAD, 3", 1 1/4" ROD
4	SN8939-1		SEAL KIT, 3", 1 1/4" ROD
5	SN12056		TUBE, 3" X 8"
6	SN12057		1 1/4" ROD
7	SN8937-1		PISTON, 3" W/3/4" HOLE
8	SN8938-10		BASE, 3"
9	SN5339		1" X 4 1/16" PIN
10	SN4458		PLUG, 3/4"-16 O.R.
11	SN8681-1		PISTON NUT, 3/4"
12	SN12058		TIE ROD BOLT
13	SN8866-1		TIE ROD NUT
14	SN8631-1		CAPSCREW
	SN8671-1		CAPSCREW NUT
	SN12049		3" X 8" CROSS CYLINDER 3000 PSI.

NOTE: WHEN ORDERING HYDRAULIC CYLINDER COMPONENTS, NOTE THE PART NUMBER AND THE CYLINDER PSI. (LOCATED ON THE CYLINDER DECAL) AS THEY CONTAIN DIFFERENT COMPONENTS.

I0000335

3 1/4" X 10" CROSS REPHASING CYLINDER
(VERSION 1)



00295

**3070 FALLOW KING
SERVICE PARTS**

39

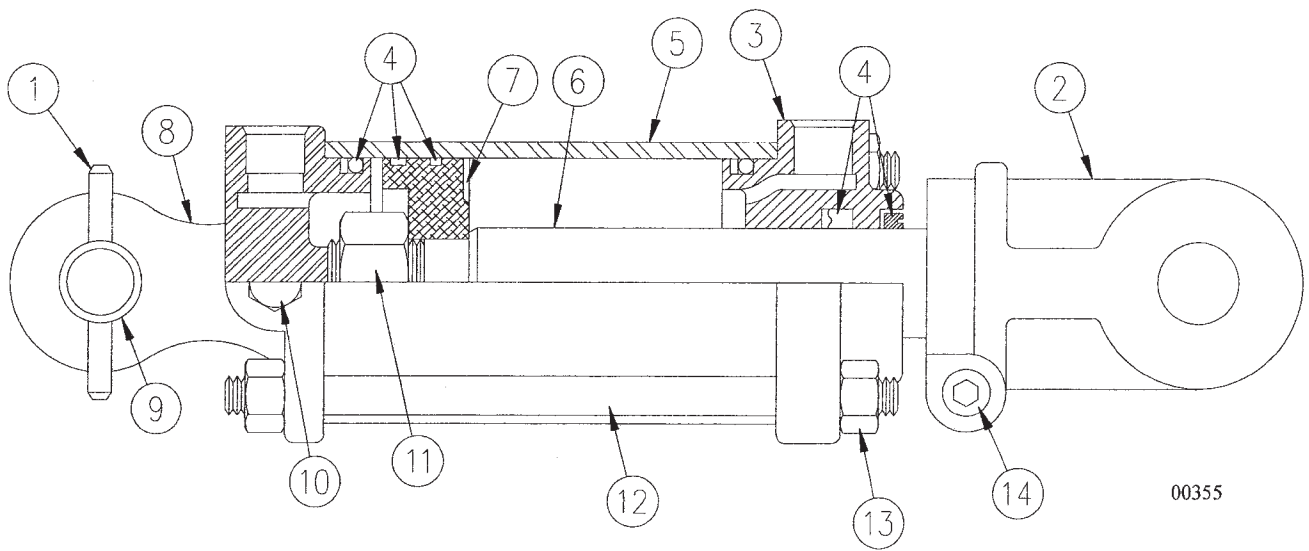
**3 1/4" X 10" CROSS REPHASING CYLINDER
(VERSION 1)**

ITEM	NUMBER	QTY	DESCRIPTION
1	SN3164		5/16" X 2" ROLL PIN
2	SN8610-1		CLEVIS, 1 1/4" THREADS, 1" PIN W/BUSHING
3	SN8725-10		HEAD, 3 1/4" , 1 1/4" ROD
4	SN8767-1		SEAL KIT, 3 1/4", 1 1/4" ROD
5	SN8820-1		TUBE, 3 1/4" X 10"
6	SN8890-1		1 1/4" ROD
7	SN8710-1		PISTON, 3 1/4"
8	SN8709-10		BASE, 3 1/4"
9	SN5339		1" X 4 1/16" PIN
10	SN4458		PLUG, 3/4"-16 O.R.
11	SN8683-1		PISTON NUT, 1"
12	SN8845-1		TIE ROD BOLT
13	SN8863-1		TIE ROD NUT
14	SN8631-1		CAPSCREW
	SN8671-1		CAPSCREW NUT
	SN4433R		3 1/4" X 10" REPHASING CYLINDER

NOTE: WHEN ORDERING HYDRAULIC CYLINDER COMPONENTS, NOTE THE PART NUMBER AND THE CYLINDER PSI. (LOCATED ON THE CYLINDER DECAL) AS THEY CONTAIN DIFFERENT COMPONENTS.

I0000295

3 1/4" X 10" CROSS REPHASING CYLINDER
(VERSION 2)



00355

**3070 FALLOW KING
SERVICE PARTS**

41

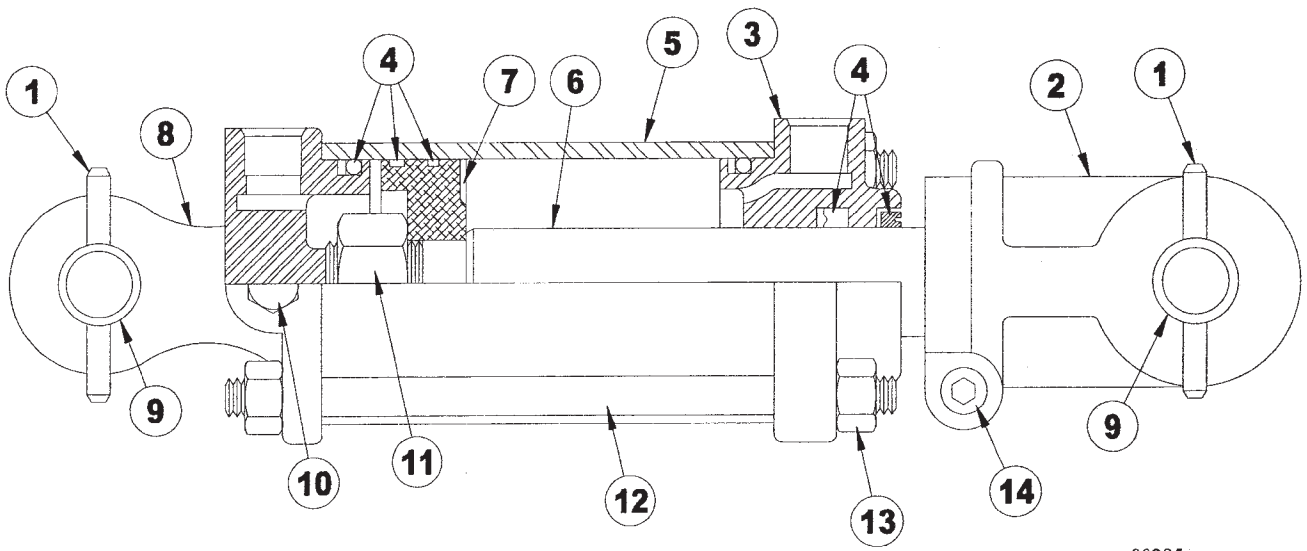
**3 1/4" X 10" CROSS REPHASING CYLINDER
(VERSION 2)**

ITEM	NUMBER	QTY	DESCRIPTION
1	SN3164		5/16" X 2" ROLL PIN
2	SN8610-1		CLEVIS, 1 1/4" THREADS, 1" PIN W/BUSHING
3	SN8614-10		HEAD, 3 1/4" , 1 1/4" ROD
4	SN8767-1		SEAL KIT, 3 1/4", 1 1/4" ROD
5	SN8613-1		TUBE, 3 1/4" X 10"
6	SN8658-1		1 1/4" ROD
7	SN8929-1		PISTON, 3 1/4"
8	SN8930-10		BASE, 3 1/4"
9	SN5339		1" X 4 1/16" PIN
10	SN4458		PLUG, 3/4"-16 O.R.
11	SN8683-1		PISTON NUT, 1"
12	SN8928-1		TIE ROD BOLT
13	SN8863-1		TIE ROD NUT
14	SN8631-1		CAPSCREW
	SN8671-1		CAPSCREW NUT
	SN10817		3 1/4" X 10" REPHASING CYLINDER 3000 PSI

NOTE: WHEN ORDERING HYDRAULIC CYLINDER COMPONENTS, NOTE THE PART NUMBER AND THE CYLINDER PSI. (LOCATED ON THE CYLINDER DECAL) AS THEY CONTAIN DIFFERENT COMPONENTS.

I0000355

3 1/2" X 10" CROSS REPHASING CYLINDER
(VERSION 1)



00295

**3070 FALLOW KING
SERVICE PARTS**

43

**3 1/2" X 10" CROSS REPHASING CYLINDER
(VERSION 1)**

ITEM	NUMBER	QTY	DESCRIPTION
1	SN3164		5/16" X 2" ROLL PIN
2	SN8610-1		CLEVIS, 1 1/4" THREADS, 1" PIN W/BUSHING
3	SN8735-10		HEAD, 3 1/2" , 1 1/4" ROD
4	SN8775-1		SEAL KIT, 3 1/2", 1 1/4" ROD
5	SN8822-1		TUBE, 3 1/2" X 10"
6	SN8890-1		1 1/4" ROD
7	SN8716-1		PISTON, 3 1/2" W/1" HOLE
8	SN8700-10		BASE, 3 1/2", 1" PIN REPHASING
9	SN5339		1" X 4 1/16" PIN
10	SN4458		PLUG, 3/4"-16 O.R.
11	SN8683-1		PISTON NUT, 1"
12	SN8845-1		TIE ROD BOLT
13	SN8863-1		TIE ROD NUT
14	SN8631-1		CAPSCREW
	SN8671-1		CAPSCREW NUT
	SN4432R		3 1/2" X 10" CROSS REPHASING CYLINDER

NOTE: WHEN ORDERING HYDRAULIC CYLINDER COMPONENTS, NOTE THE PART NUMBER AND THE CYLINDER PSI. (LOCATED ON THE CYLINDER DECAL) AS THEY CONTAIN DIFFERENT COMPONENTS.

I0000295

**3070 FALLOW KING
SERVICE PARTS**

45

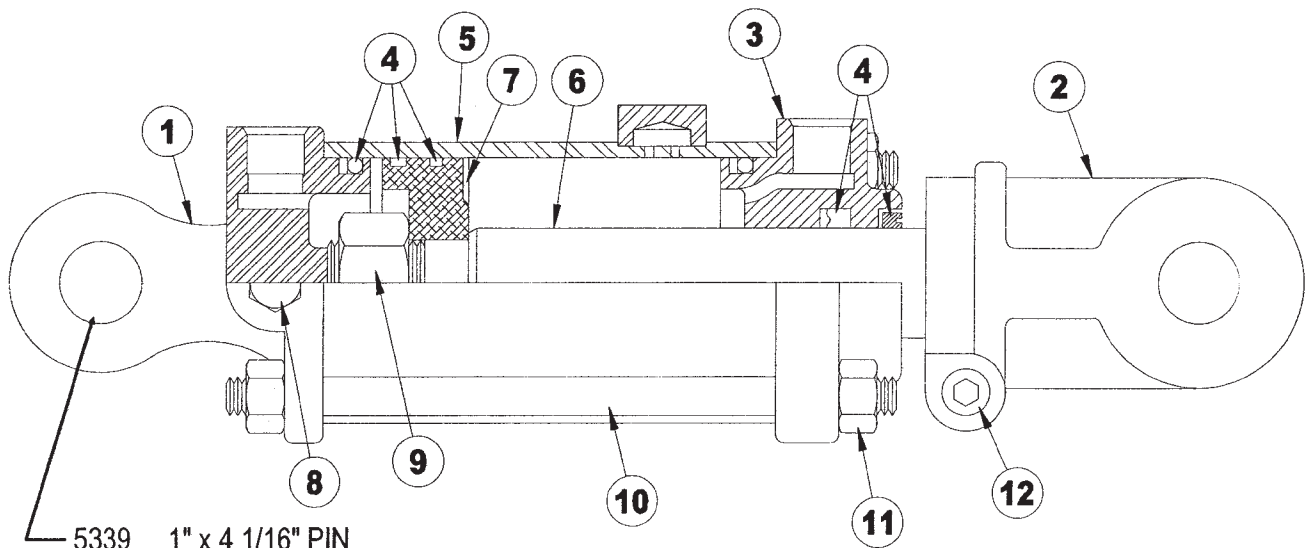
**3 1/2" X 10" CROSS REPHASING CYLINDER
(VERSION 2)**

ITEM	NUMBER	QTY	DESCRIPTION
1	SN3164		5/16" X 2" ROLL PIN
2	SN8610-1		CLEVIS, 1 1/4" THREADS, 1" PIN W/BUSHING
3	SN8657-10		HEAD, 3 1/2" , 1 1/4" ROD
4	SN8775-1		SEAL KIT, 3 1/2", 1 1/4" ROD
5	SN8659-1		TUBE, 3 1/2" X 10"
6	SN8658-1		1 1/4" ROD
7	SN8660-1		PISTON, 3 1/2" W/1" HOLE
8	SN8927-10		BASE, 3 1/2", 1" PIN REPHASING
9	SN5339		1" X 4 1/16" PIN
10	SN4458		PLUG, 3/4"-16 O.R.
11	SN8683-1		PISTON NUT, 1"
12	SN8928-1		TIE ROD BOLT
13	SN8863-1		TIE ROD NUT
14	SN8631-1		CAPSCREW
	SN8671-1		CAPSCREW NUT
	SN10816		3 1/2" X 10" CROSS REPH CYLINDER 3000PSI

NOTE: WHEN ORDERING HYDRAULIC CYLINDER COMPONENTS, NOTE THE PART NUMBER AND THE CYLINDER PSI. (LOCATED ON THE CYLINDER DECAL) AS THEY CONTAIN DIFFERENT COMPONENTS.

I0000295

3 3/4" X 10" CROSS REPHASING CYLINDER
(VERSION 1)



- 5339 1" x 4 1/16" PIN
- 3164 5/16" x 2" ROLL PIN
(USED AT BOTH ENDS)

**3070 FALLOW KING
SERVICE PARTS**

47

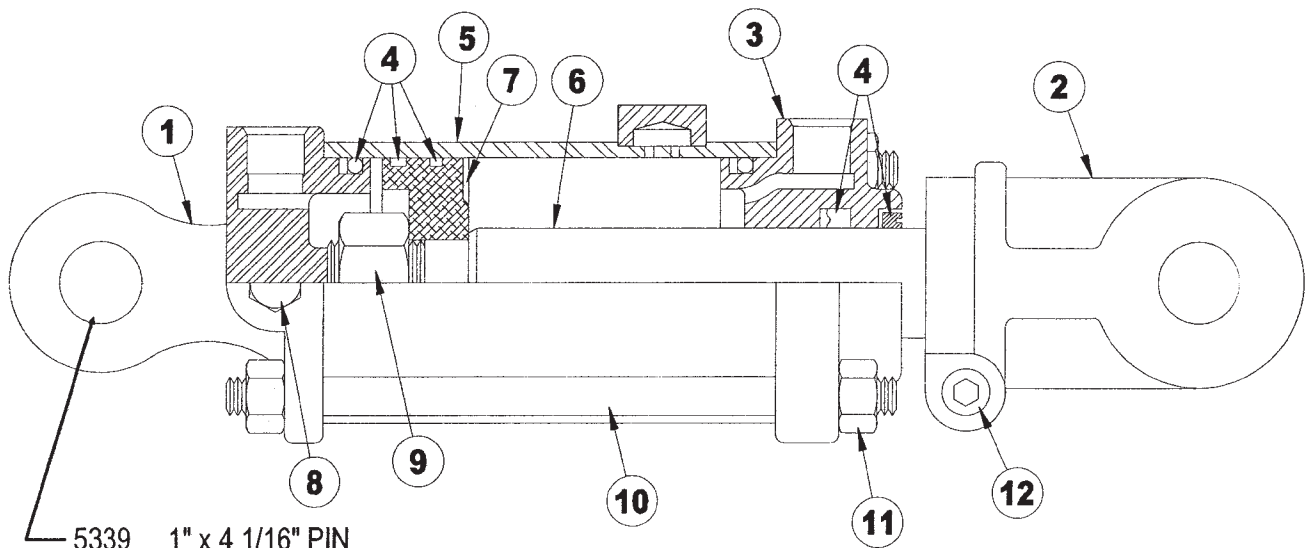
**3 3/4" X 10" CROSS REPHASING CYLINDER
(VERSION 1)**

ITEM	NUMBER	QTY	DESCRIPTION
1	SN8698-10		BASE, 3 3/4" REPHASING
2	SN8610-1		CLEVIS, 1 1/4" THREADS, 1" PIN W/BUSHING
3	SN8736-10		HEAD, 3 3/4", 1 3/8" ROD
4	SN8776-1		SEAL KIT, 3 3/4", 1 3/8" ROD
5	SN8828-1		TUBE, 3 3/4" X 10"
6	SN8899-1		1 3/8" ROD
7	SN8717-1		PISTON, 3 3/4" W/1" HOLE
8	SN4458		PLUG, 3/4"-16 O.R.
9	SN8683-1		PISTON NUT, 1"
10	SN8849-1		TIE ROD BOLT
11	SN8864-1		TIE ROD NUT
12	SN8631-1		CAPSCREW
	SN8671-1		CAPSCREW NUT
	SN4431R		3 3/4" X 10" CROSS REPHASING CYLINDER

NOTE: WHEN ORDERING HYDRAULIC CYLINDER COMPONENTS, NOTE THE PART NUMBER AND THE CYLINDER PSI. (LOCATED ON THE CYLINDER DECAL) AS THEY CONTAIN DIFFERENT COMPONENTS.

I0001204

3 3/4" X 10" CROSS REPHASING CYLINDER
(VERSION 2)



- 5339 1" x 4 1/16" PIN
- 3164 5/16" x 2" ROLL PIN
(USED AT BOTH ENDS)

**3070 FALLOW KING
SERVICE PARTS**

49

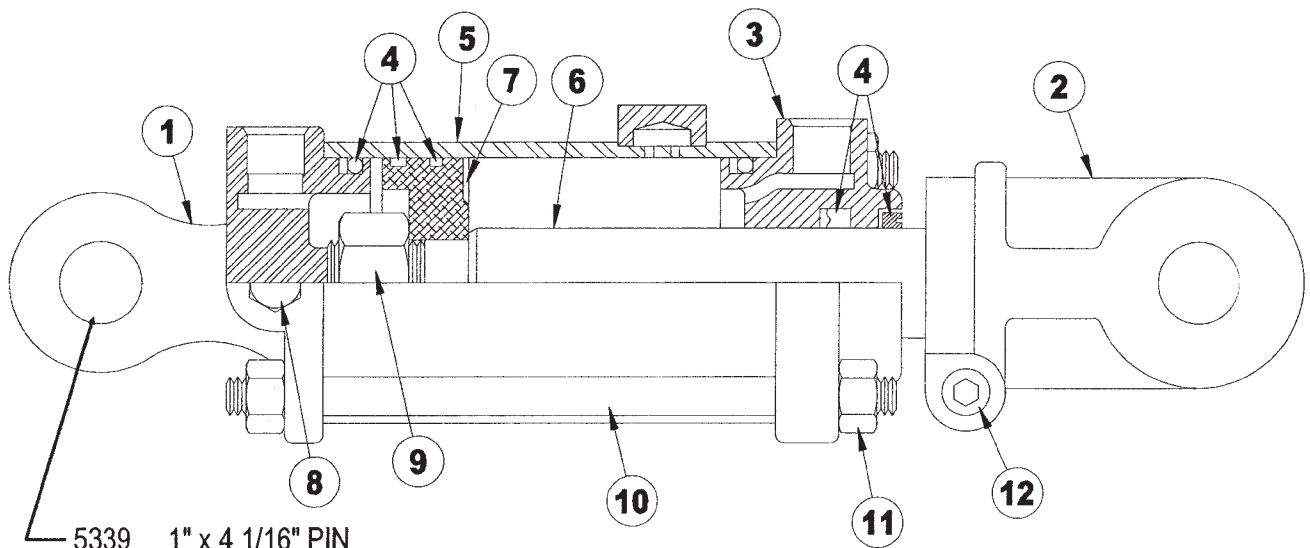
**3 3/4" X 10" CROSS REPHASING CYLINDER
(VERSION 2)**

ITEM	NUMBER	QTY	DESCRIPTION
1	SN8656-10		BASE, 3 3/4" REPHASING
2	SN8610-1		CLEVIS, 1 1/4" THREADS, 1" PIN W/BUSHING
3	SN8736-10		HEAD, 3 3/4", 1 3/8" ROD
4	SN8776-1		SEAL KIT, 3 3/4", 1 3/8" ROD
5	SN8828-1		TUBE, 3 3/4" X 10"
6	SN8925-1		1 3/8" ROD
7	SN8655-1		PISTON, 3 3/4" W/1" HOLE
8	SN4458		PLUG, 3/4"-16 O.R.
9	SN8683-1		PISTON NUT, 1"
10	SN8654-1		TIE ROD BOLT
11	SN8864-1		TIE ROD NUT
12	SN8631-1		CAPSCREW
	SN8671-1		CAPSCREW NUT
	SN10815		3 3/4" X 10" CROSS REPH CYLINDER 3000PSI

NOTE: WHEN ORDERING HYDRAULIC CYLINDER COMPONENTS, NOTE THE PART NUMBER AND THE CYLINDER PSI. (LOCATED ON THE CYLINDER DECAL) AS THEY CONTAIN DIFFERENT COMPONENTS.

I0001204

4" X 10" CROSS REPHASING CYLINDER
(VERSION 1)



- 5339 1" x 4 1/16" PIN
- 3164 5/16" x 2" ROLL PIN
(USED AT BOTH ENDS)

**3070 FALLOW KING
SERVICE PARTS**

51

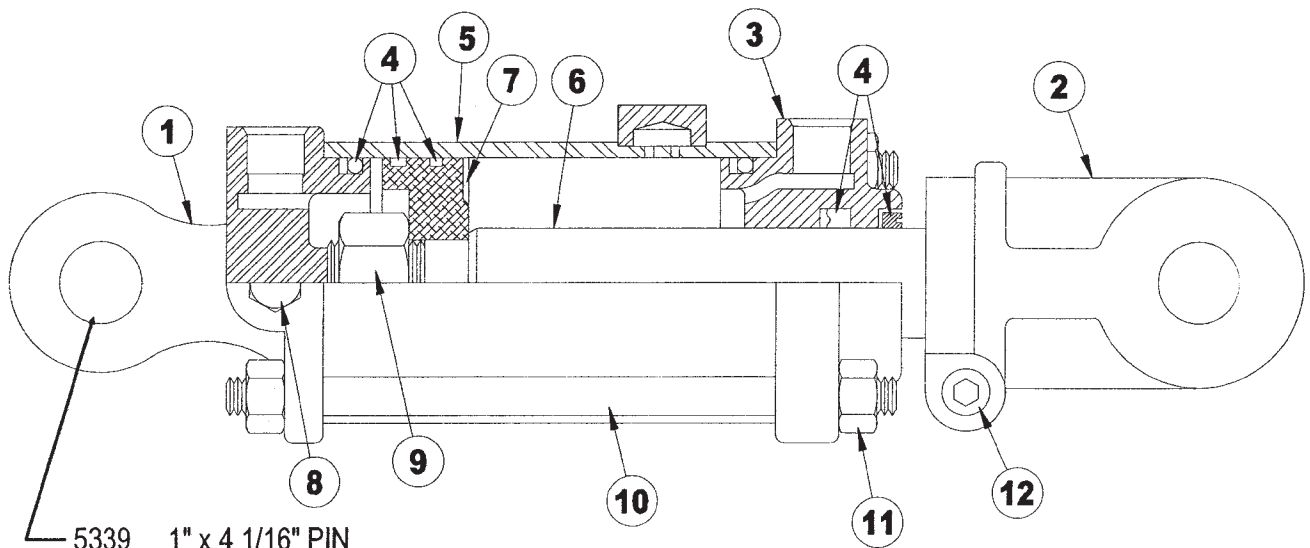
**4" X 10" CROSS REPHASING CYLINDER
(VERSION 1)**

ITEM	NUMBER	QTY	DESCRIPTION
1	SN8699-10		BASE, 4" REPHASING
2	SN8610-1		CLEVIS, 1 1/4" THREADS, 1" PIN W/BUSHING
3	SN8739-10		HEAD, 4", 1 3/8" ROD
4	SN8781-1		SEAL KIT, 4", 1 3/8" ROD
5	SN8826-1		TUBE, 4" X 10"
6	SN8899-1		1 3/8" ROD
7	SN8718-1		PISTON, 4" W/1" HOLE
8	SN4458		PLUG, 3/4"-16 O.R.
9	SN8683-1		PISTON NUT, 1"
10	SN8849-1		TIE ROD BOLT
11	SN8864-1		TIE ROD NUT
12	SN8631-1		CAPSCREW
	SN8671-1		CAPSCREW NUT
	SN4430R		4" X 10" CROSS REPHASING CYLINDER

NOTE: WHEN ORDERING HYDRAULIC CYLINDER COMPONENTS, NOTE THE PART NUMBER AND THE CYLINDER PSI. (LOCATED ON THE CYLINDER DECAL) AS THEY CONTAIN DIFFERENT COMPONENTS.

I0001204

4" X 10" CROSS REPHASING CYLINDER
(VERSION 2)



- 5339 1" x 4 1/16" PIN
- 3164 5/16" x 2" ROLL PIN
(USED AT BOTH ENDS)

**3070 FALLOW KING
SERVICE PARTS**

53

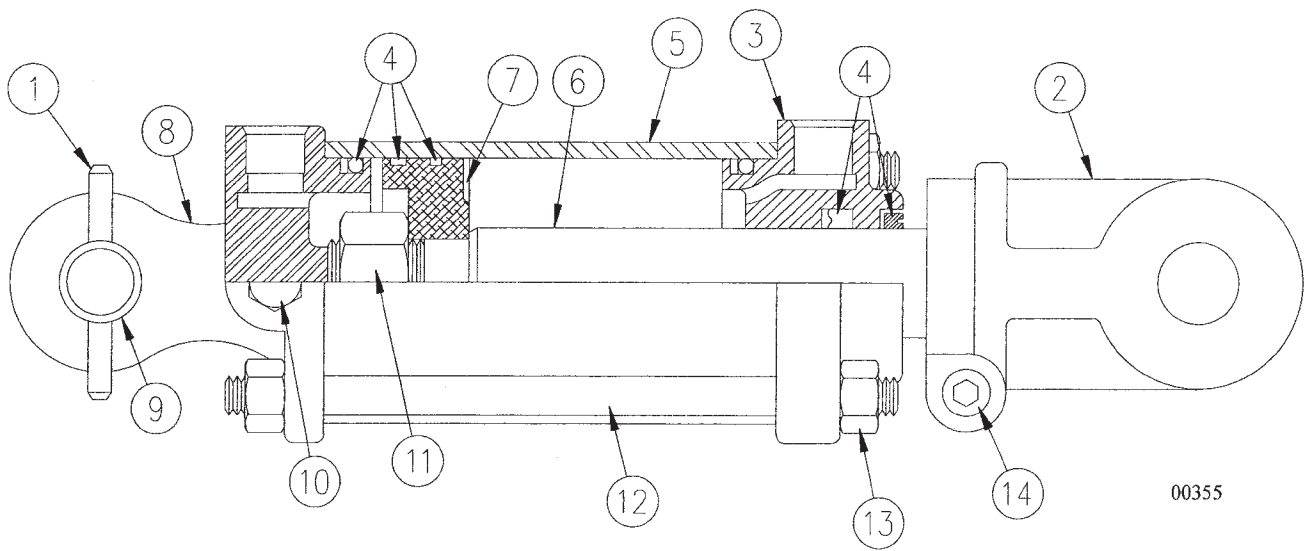
**4" X 10" CROSS REPHASING CYLINDER
(VERSION 2)**

ITEM	NUMBER	QTY	DESCRIPTION
1	SN8670-10		BASE, 4" REPHASING
2	SN8610-1		CLEVIS, 1 1/4" THREADS, 1" PIN W/BUSHING
3	SN8739-10		HEAD, 4", 1 3/8" ROD
4	SN8781-1		SEAL KIT, 4", 1 3/8" ROD
5	SN8826-1		TUBE, 4" X 10"
6	SN8925-1		1 3/8" ROD
7	SN8653-1		PISTON, 4" W/1" HOLE
8	SN4458		PLUG, 3/4"-16 O.R.
9	SN8683-1		PISTON NUT, 1"
10	SN8654-1		TIE ROD BOLT
11	SN8864-1		TIE ROD NUT
12	SN8631-1		CAPSCREW
	SN8671-1		CAPSCREW NUT
	SN10814		4" X 10" CROSS REPHASING CYLINDER 3000 PSI.

NOTE: WHEN ORDERING HYDRAULIC CYLINDER
COMPONENTS, NOTE THE PART NUMBER AND
THE CYLINDER PSI. (LOCATED ON THE
CYLINDER DECAL) AS THEY CONTAIN
DIFFERENT COMPONENTS.

I0001204

4" X 24" CROSS FOLD CYLINDER (VERSION 1)



00355

**3070 FALLOW KING
SERVICE PARTS**

55

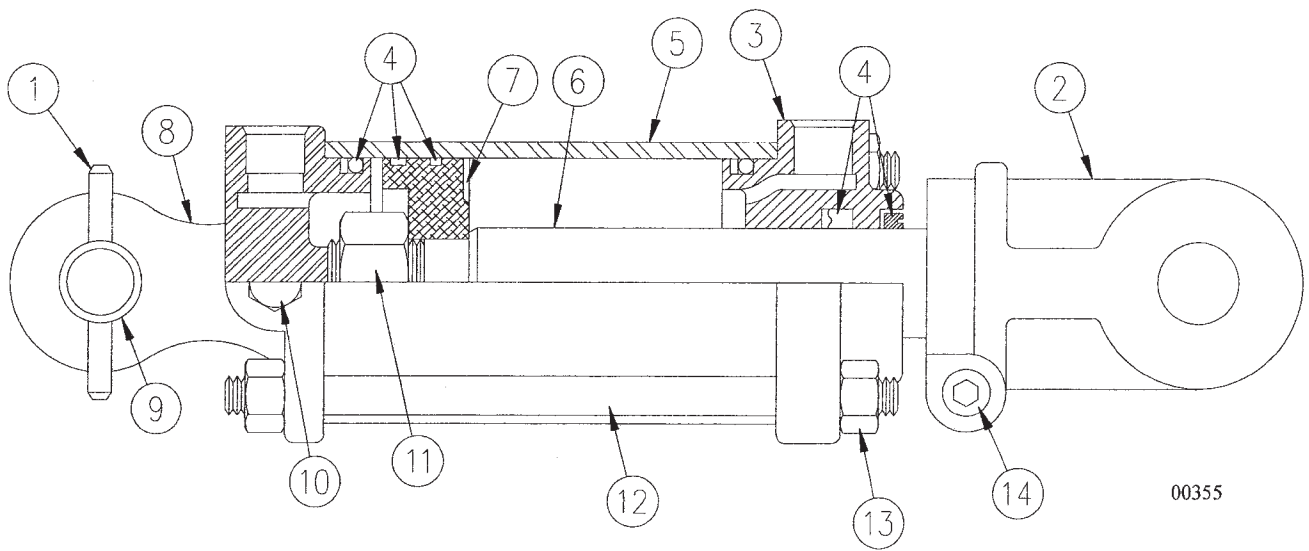
4" X 24" CROSS FOLD CYLINDER (VERSION 1)

ITEM	NUMBER	QTY	DESCRIPTION
1	SN3164		5/16" X 2" ROLL PIN
2	SN8615-1		CLEVIS, 1 1/4" THREADS
3	SN8737-10		HEAD, 4", 1 1/2" ROD
4	SN8784-1		SEAL KIT, 4", 1 1/2" ROD
5	SN8835-1		TUBE, 4" X 24"
6	SN8924-1		1 1/2" ROD
7	SN8713-1		PISTON, 4" W/1" HOLE
8	SN8703-10		BASE, 4"
9	SN5339		1" X 4 1/16" PIN
10	SN4458		PLUG, 3/4"-16 O.R.
11	SN8683-1		PISTON NUT, 1"
12	SN8855-1		TIE ROD BOLT
13	SN8864-1		TIE ROD NUT
14	SN8631-1		CAPSCREW
	SN8671-1		CAPSCREW NUT
	SN4405R		4" X 24" CROSS FOLD CYLINDER

NOTE: WHEN ORDERING HYDRAULIC CYLINDER COMPONENTS, NOTE THE PART NUMBER AND THE CYLINDER PSI. (LOCATED ON THE CYLINDER DECAL) AS THEY CONTAIN DIFFERENT COMPONENTS.

I0000355

4" X 24" CROSS FOLD CYLINDER (VERSION 2)



00355

**3070 FALLOW KING
SERVICE PARTS**

57

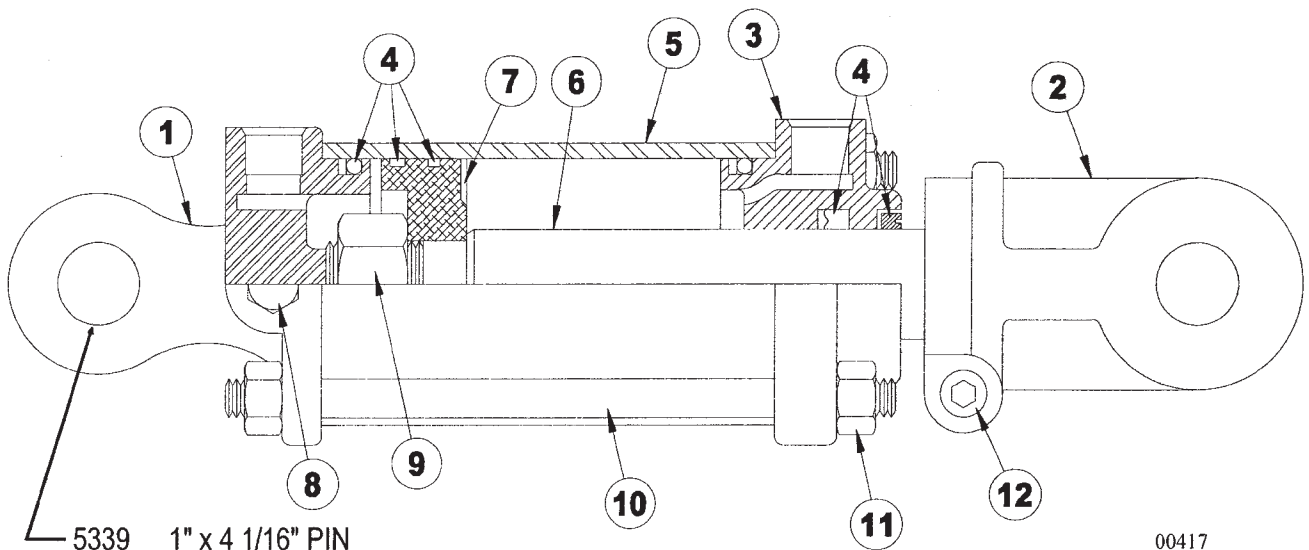
4" X 24" CROSS FOLD CYLINDER (VERSION 2)

ITEM	NUMBER	QTY	DESCRIPTION
1	SN3164		5/16" X 2" ROLL PIN
2	SN8616-1		CLEVIS, 1 1/4" THREADS
3	SN8273-1		HEAD, 4", 1 1/2" ROD
4	SN8612-1		SEAL KIT, 4", 1 1/2" ROD
5	SN8835-1		TUBE, 4" X 24"
6	SN8926-1		1 1/2" ROD
7	SN8682-1		PISTON, 4" W/1" HOLE
8	SN8670-10		BASE, 4"
9	SN5339		1" X 4 1/16" PIN
10	SN4458		PLUG, 3/4"-16 O.R.
11	SN8683-1		PISTON NUT, 1"
12	SN8605-1		TIE ROD BOLT
13	SN8864-1		TIE ROD NUT
14	SN8631-1		CAPSCREW
	SN8671-1		CAPSCREW NUT
	SN10813		4" X 24" CROSS FOLD CYLINDER 3000 PSI.

NOTE: WHEN ORDERING HYDRAULIC CYLINDER COMPONENTS, NOTE THE PART NUMBER AND THE CYLINDER PSI. (LOCATED ON THE CYLINDER DECAL) AS THEY CONTAIN DIFFERENT COMPONENTS.

I0000355

4" X 30" CROSS CYLINDER (VERSION 1)



- 5339 1" x 4 1/16" PIN
- 3164 5/16" x 2" ROLL PIN

00417

3070 FALLOW KING
SERVICE PARTS

59

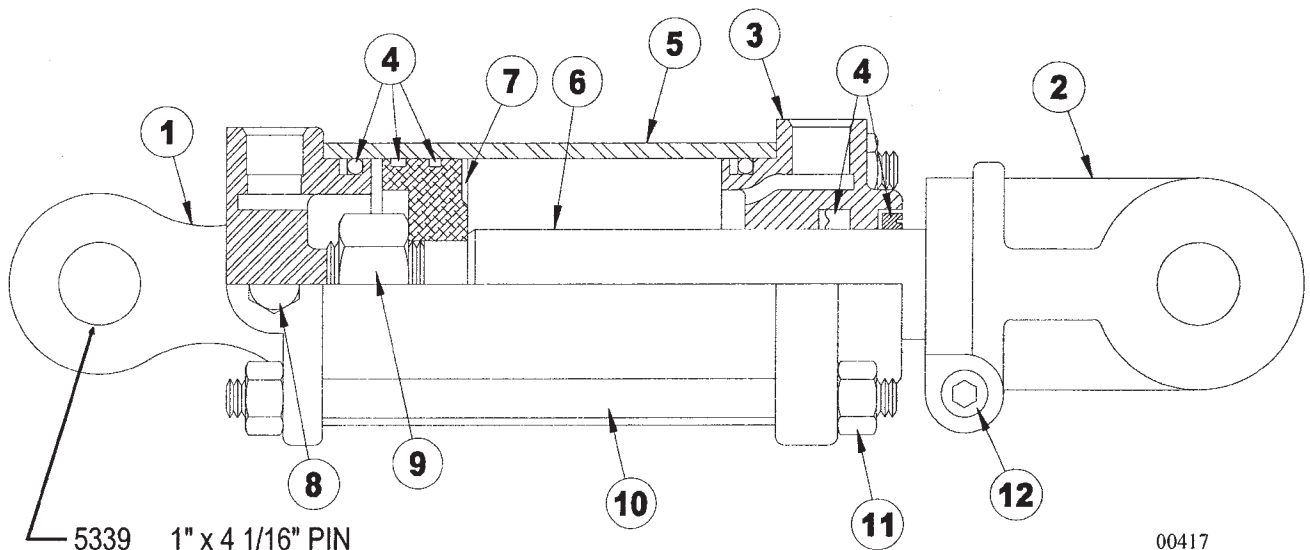
4" X 30" CROSS CYLINDER (VERSION 1)

ITEM	NUMBER	QTY	DESCRIPTION
1	SN8703-10		BASE, 4"
2	SN8615-1		CLEVIS, 1 1/4" THREADS
3	SN8737-10		HEAD, 4", 1 1/2" ROD
4	SN8784-1		SEAL KIT, 4", 1 1/2" ROD
5	SN8837-1		TUBE, 4" X 30"
6	SN8934-1		1 1/2" ROD
7	SN8713-1		PISTON, 4" W/1" HOLE
8	SN4458		PLUG, 3/4"-16 O.R.
9	SN8683-1		PISTON NUT, 1"
10	SN8858-1		TIE ROD BOLT
11	SN8864-1		TIE ROD NUT
12	SN8631-1		CAPSCREW
	SN8671-1		CAPSCREW NUT
	SN4403R		4" X 30" CROSS CYLINDER

NOTE: WHEN ORDERING HYDRAULIC CYLINDER COMPONENTS, NOTE THE PART NUMBER AND THE CYLINDER PSI. (LOCATED ON THE CYLINDER DECAL) AS THEY CONTAIN DIFFERENT COMPONENTS.

I0000417

4" X 30" CROSS CYLINDER (VERSION 2)



- 5339 1" x 4 1/16" PIN
- 3164 5/16" x 2" ROLL PIN

00417

3070 FALLOW KING
SERVICE PARTS

61

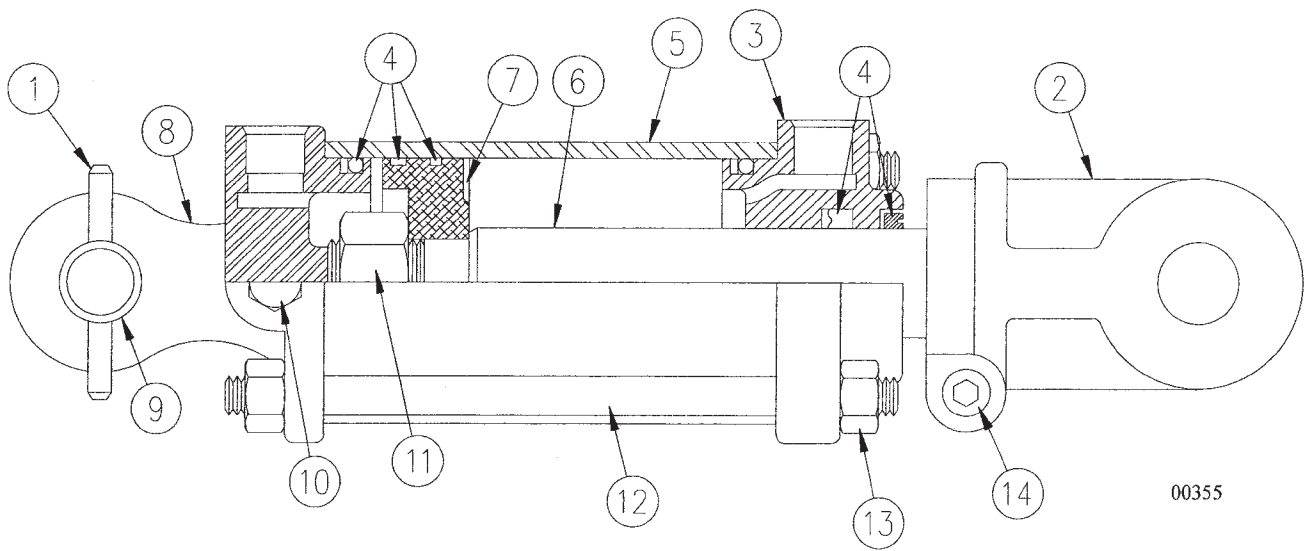
4" X 30" CROSS CYLINDER (VERSION 2)

ITEM	NUMBER	QTY	DESCRIPTION
1	SN8670-10		BASE, 4"
2	SN8616-1		CLEVIS, 1 1/4" THREADS
3	SN8273-1		HEAD, 4", 1 1/2" ROD
4	SN8612-1		SEAL KIT, 4", 1 1/2" ROD
5	SN8837-1		TUBE, 4" X 30"
6	SN8923-1		1 1/2" ROD
7	SN8682-1		PISTON, 4" W/1" HOLE
8	SN4458		PLUG, 3/4"-16 O.R.
9	SN8683-1		PISTON NUT, 1"
10	SN8602-1		TIE ROD BOLT
11	SN8864-1		TIE ROD NUT
12	SN8631-1		CAPSCREW
	SN8671-1		CAPSCREW NUT
	SN10812		4" X 30" CROSS CYLINDER 3000 PSI.

NOTE: WHEN ORDERING HYDRAULIC CYLINDER COMPONENTS, NOTE THE PART NUMBER AND THE CYLINDER PSI, LOCATED ON THE CYLINDER DECAL, AS THEY CONTAIN DIFFERENT COMPONENTS.

I0000417

5" X 30" CROSS CYLINDER (VERSION 1)



00355

3070 FALLOW KING
SERVICE PARTS

63

5" X 30" CROSS CYLINDER (VERSION 1)

ITEM	NUMBER	QTY	DESCRIPTION
1	SN3164		5/16" X 2" ROLL PIN
2	SN8620-1		CLEVIS, 1 1/2" THREADS
3	SN8749-10		HEAD, 5"
4	SN8794-1		SEAL KIT, 5", 2" ROD
5	SN8839-1		TUBE, 5" X 30"
6	SN8945-1		2" ROD
7	SN8715-1		PISTON, 5"
8	SN8705-10		BASE, 5"
9	SN5342		1 1/4" X 4 13/16" PIN
10	SN4458		PLUG, 3/4"-16 O.R.
11	SN8685-1		PISTON NUT, 1 1/4"
12	SN8859-1		TIE ROD BOLT
13	SN8865-1		TIE ROD NUT
14	SN8631-1		CAPSCREW
	SN8671-1		CAPSCREW NUT
	SN4414R		5" X 30" CROSS CYLINDER

NOTE: WHEN ORDERING HYDRAULIC CYLINDER COMPONENTS, NOTE THE PART NUMBER AND THE CYLINDER PSI. (LOCATED ON THE CYLINDER DECAL) AS THEY CONTAIN DIFFERENT COMPONENTS.

I0000355

3070 FALLOW KING
SERVICE PARTS

65

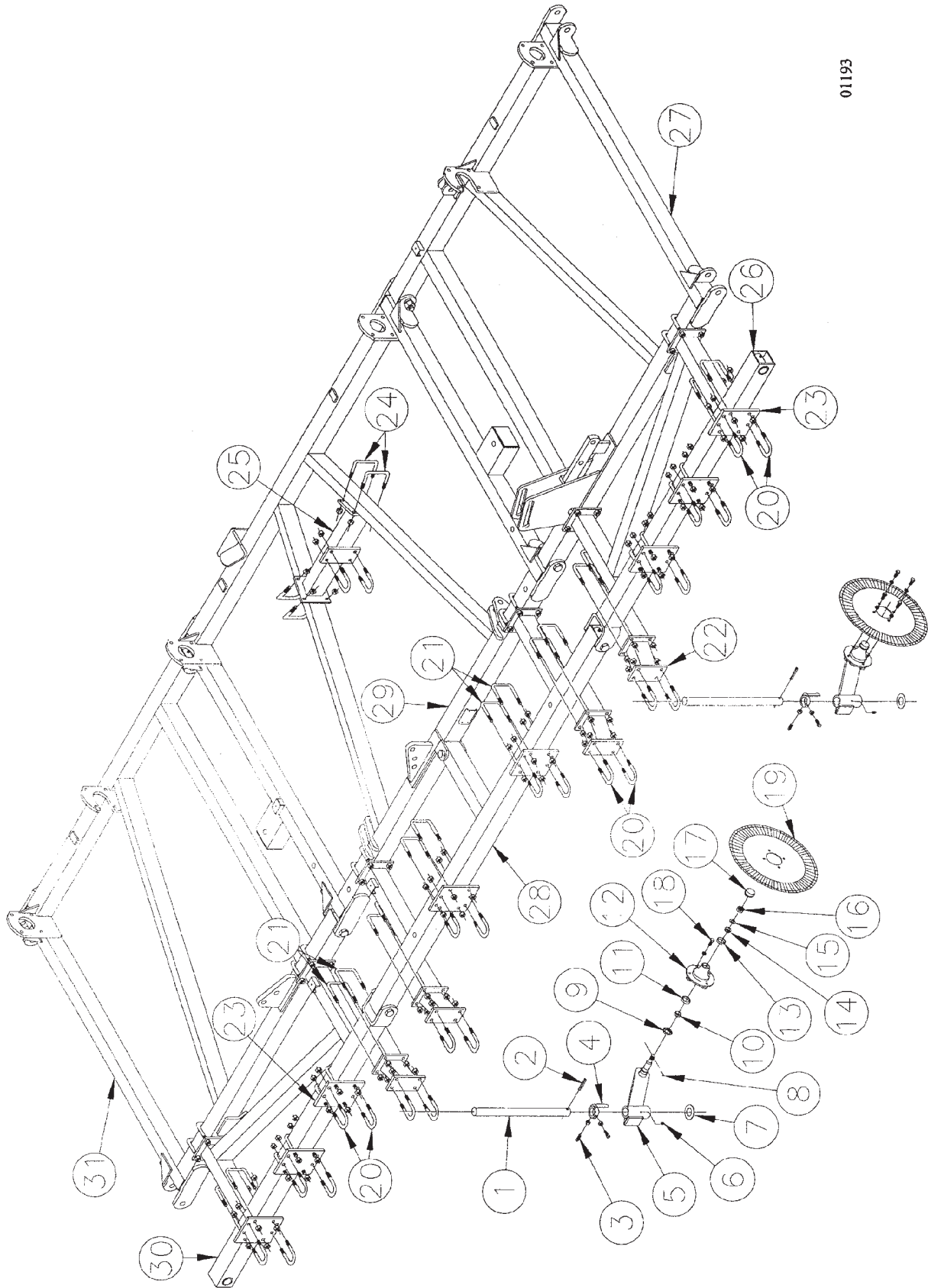
5" X 30" CROSS CYLINDER (VERSION 2)

ITEM	NUMBER	QTY	DESCRIPTION
1	SN3164		5/16" X 2" ROLL PIN
2	SN8620-1		CLEVIS, 1 1/2" THREADS
3	SN12038		HEAD, 5"
4	SN12039		SEAL KIT, 5", 2" ROD
5	SN8839-1		TUBE, 5" X 30"
6	SN8945-1		2" ROD
7	SN12036		PISTON, 5"
8	SN12037		BASE, 5"
9	SN5342		1 1/4" X 4 13/16" PIN
10	SN4458		PLUG, 3/4"-16 O.R.
11	SN8685-1		PISTON NUT, 1 1/4"
12	SN8859-1		TIE ROD BOLT
13	SN8865-1		TIE ROD NUT
14	SN8631-1		CAPSCREW
	SN8671-1		CAPSCREW NUT
	SN12035		5" X 30" CROSS CYLINDER 3000 PSI.

NOTE: WHEN ORDERING HYDRAULIC CYLINDER COMPONENTS, NOTE THE PART NUMBER AND THE CYLINDER PSI. (LOCATED ON THE CYLINDER DECAL) AS THEY CONTAIN DIFFERENT COMPONENTS.

I0000355

CENTER FRAME COULTER ASSEMBLY



01193

**3070 FALLOW KING
SERVICE PARTS**

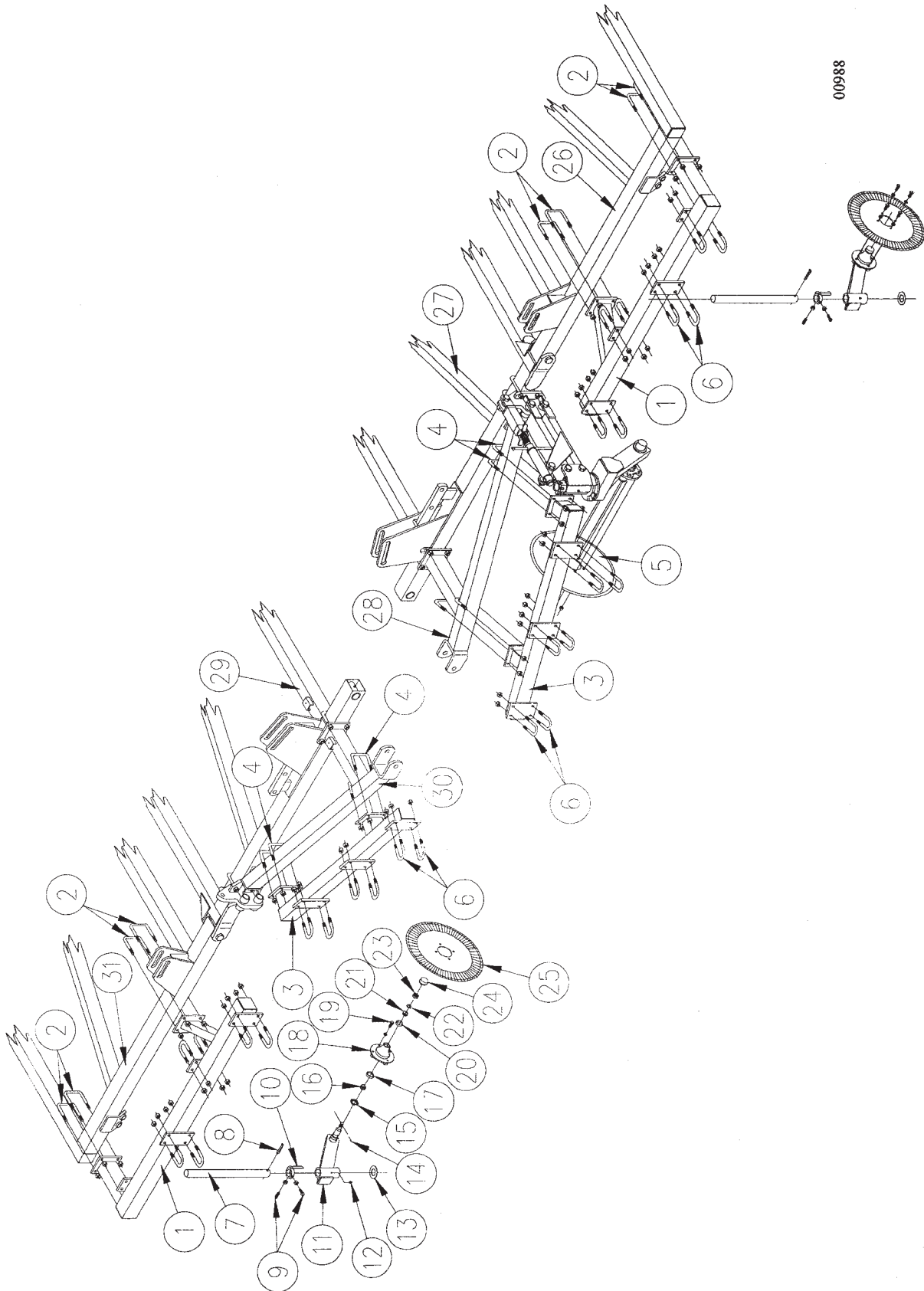
67

CENTER FRAME COULTER ASSEMBLY

ITEM	NUMBER	QTY	DESCRIPTION
1	SN5970		COULTER SHANK, 24"
2	SN5814		1/2" X 3" ROLL PIN
3	SN2078		1/2" X 1" SET SCREW
	SN159		NUT
4	SN5968		LOCKING COLLAR WITH STOP
5	SN5969		COULTER AXLE
6	SN2098-1		GREASE ZERK, 1/8" NPTF, 5/8" L.
7	SN2037		FLAT WASHER, 1 13/16" I.D. X 2 13/16" O.D.
8	SN3725		1/8" X 1 3/4" COTTER PIN
9	SN120		GREASE SEAL, DOUBLE LIP
10	SN1606		INNER BEARING (LM67048)
11	SN1605		INNER RACE
12	SN124		FOUR BOLT HUB
13	SN126		OUTER RACE
14	SN127		OUTER BEARING
15	SN779		WASHER, 25/32" I.D. X 1 1/2" O.D.
16	SN1608		3/4" FULL HEX NUT
17	SNFK340069		HUB CAP
18	SN125-1		1/2" X 1" HEX NUT
	SN113		1/2" LOCK WASHER
19	SN1025		20" COULTER BLADE
20	SN5972		5/8" X 3 1/2" X 2 7/16" W. U-BOLT
	SN669-1		5/8" LOCK NUT
21	SN3052		5/8" X 5 5/8" X 4 3/4" W. U-BOLT
	SN669-1		5/8" LOCK NUT
22	SN5965		COULTER MOUNT EXTENSION
23	SN6520		8 HOLE CLAMP PLATE
24	SNROL-108		5/8" X 3 1/2" X 4 11/16" W. U-BOLT
	SN669-1		5/8" LOCK NUT
25	SN6524		COULTER MOUNT TUBE
26	SN5169		LEFT EXTENSION
27	SN5304		LEFT CENTER FRAME
28	SN5116		CENTER FRAME EXTENSION
29	SN5111		CENTER FRAME
30	SN5168		RIGHT EXTENSION
31	SN5112		RIGHT CENTER FRAME

I0001193

WING FRAME COULTER ASSEMBLY



00988

3070 FALLOW KING
SERVICE PARTS

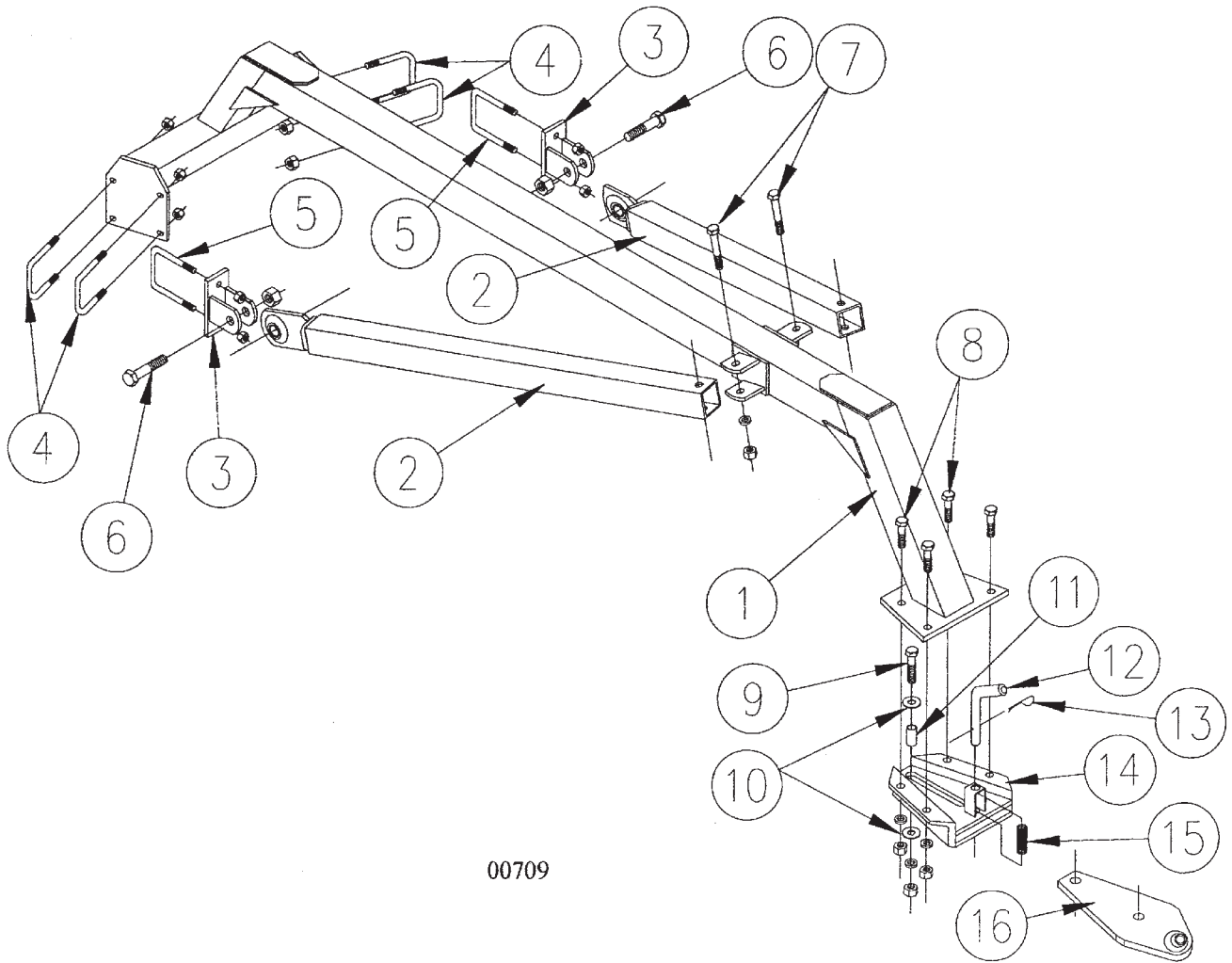
69

WING FRAME COULTER ASSEMBLY

ITEM	NUMBER	QTY	DESCRIPTION
1	SN5880		COULTER WING FRAME EXTENSION
2	SN3052		5/8" X 5 5/8" X 4 3/4" W. U-BOLT
	SN669-1		5/8" LOCK NUT
3	SN6523		COULTER WING FRAME EXTENSION
4	SN3306		5/8" X 4 1/2" X 4 5/8" W. U-BOLT
	SN669-1		5/8" LOCK NUT
5	SNFK320033		22" COULTER BLADE, 5 BOLT
6	SN5972		5/8" X 3 1/2" X 2 7/16" W. U-BOLT
	SN669-1		5/8" LOCK NUT
7	SN5970		COULTER SHANK, 24"
8	SN5814		1/2" X 3" ROLL PIN
9	SN2078		1/2" X 1" SET SCREW
	SN159		1/2" JAM NUT
10	SN5968		LOCKING COLLAR WITH STOP
11	SN5969		COULTER AXLE
12	SN2098-1		GREASE ZERK, 1/8" NPTF, 5/8" L.
13	SN2037		FLAT WASHER, 1 13/16" I.D. X 2 13/16" O.D.
14	SN3725		1/8" X 1 3/4" COTTER PIN
15	SN120		GREASE SEAL, DOUBLE LIP
16	SN1606		INNER BEARING (LM67048)
17	SN1605		INNER RACE
18	SN124		FOUR BOLT HUB
19	SN125-1		1/2" X 1" HEX NUT
	SN113		1/2" LOCK WASHER
20	SN126		OUTER RACE
21	SN127		OUTER BEARING
22	SN779		WASHER, 25/32" I.D. X 1 1/2" O.D.
23	SN1608		3/4" FULL HEX NUT
24	SNFK340069		HUB CAP
25	SN1025		20" COULTER BLADE
26	SN5115		WING FRAME, LEFT
27	SN5304		WING FRAME, LEFT INSERT
28	SN5118		LEFT WING BRACE
29	SN5305		WING FRAME, RIGHT INSERT
30	SN5117		RIGHT WING BRACE
31	SN5114		WING FRAME, RIGHT

I0000988

REARTOW HITCH ASSEMBLY WITH
HITCH SLIDE & BALL JOINT (OPTIONAL)



00709

**3070 FALLOW KING
SERVICE PARTS**

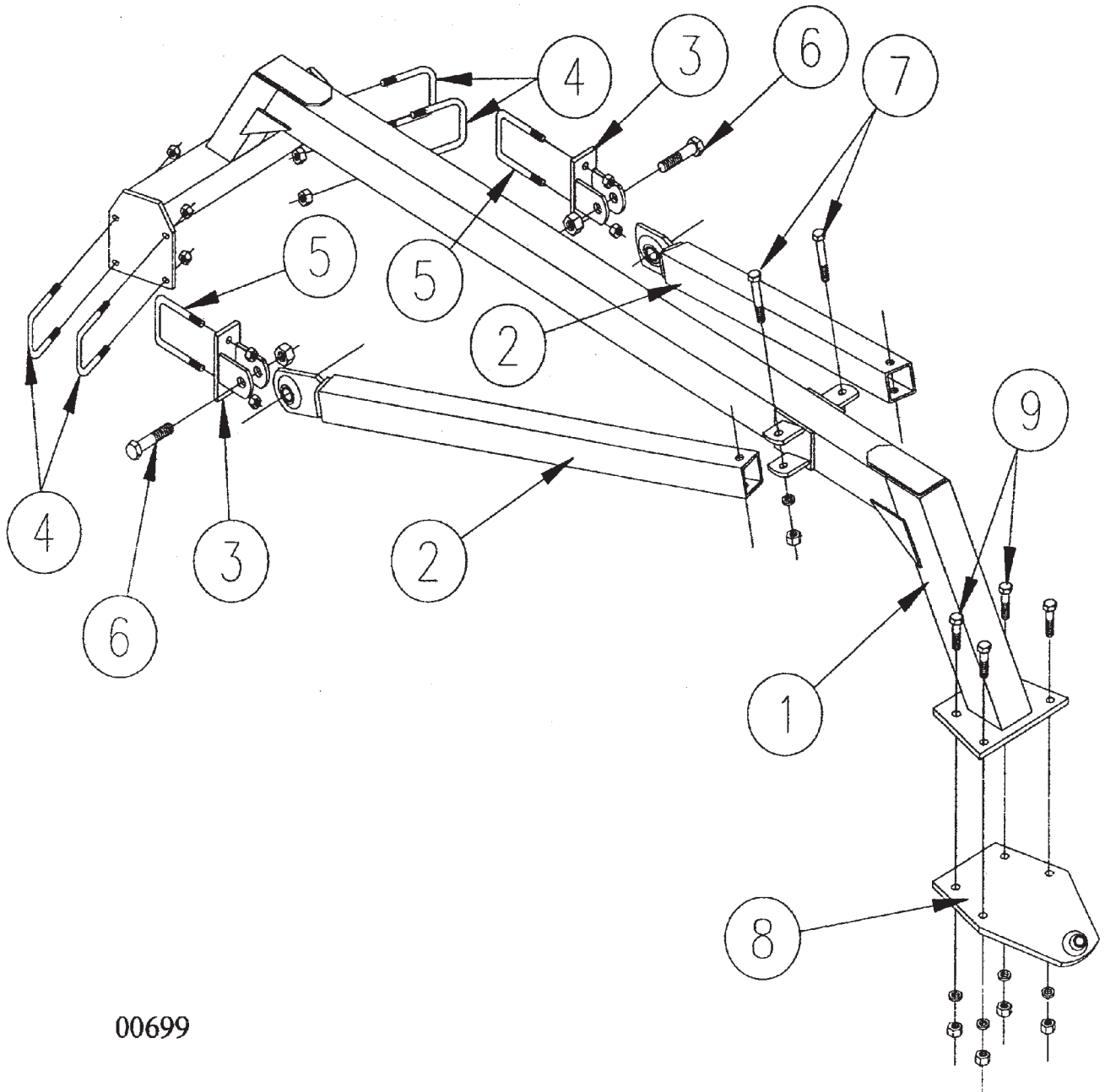
71

**REAR TOW HITCH ASSEMBLY WITH
HITCH SLIDE & BALL JOINT (OPTIONAL)**

ITEM	NUMBER	QTY	DESCRIPTION
1	SN6054		REAR TOW HITCH
2	SN6055		REAR TOW HITCH ARM
3	SN6056		ARM MOUNT
4	SNROL-108		5/8" X 3 1/2" X 4 11/16" W. U-BOLT
	SN669-1		5/8" LOCK NUT
5	SN3052		5/8" X 5 5/8" X 4 3/4" W. U-BOLT
	SN669-1		5/8" LOCK NUT
6	SN1753		1" X 4" HEX BOLT
	SN3938		1" LOCK NUT
7	SN1675		3/4" X 4 1/2" HEX BOLT
	SN1040		3/4" LOCK WASHER
	SN106		3/4" HEX NUT
8	SN1122		3/4" X 2 1/2" HEX BOLT
	SN1040		3/4" LOCK WASHER
	SN106		3/4" HEX NUT
9	SN105		3/4" X 3 1/2" HEX NUT
	SN1040		3/4" LOCK WASHER
	SN106		3/4" HEX NUT
10	SN893		3/4" FLAT WASHER
11	SN3364		BUSHING, 13/16" I.D. X 2" L.
12	SN3365		HITCH PIN
13	SN1609		3/16" X 1 1/2" COTTER PIN
14	SN3363		HITCH SLIDE
15	SN3366		HITCH SPRING
16	SN4740		HITCH MOUNT WITH BALL JOINT
	SN4739		HITCH ASSEMBLY (ITEMS 9 THRU 16)
	SN6057		REAR TOW HITCH ASSEMBLY W/4739

I0000709

REARTOW HITCH ASSEMBLY WITH HITCH SLIDE
& BALL JOINT (OPTIONAL)



00699

3070 FALLOW KING
SERVICE PARTS

73

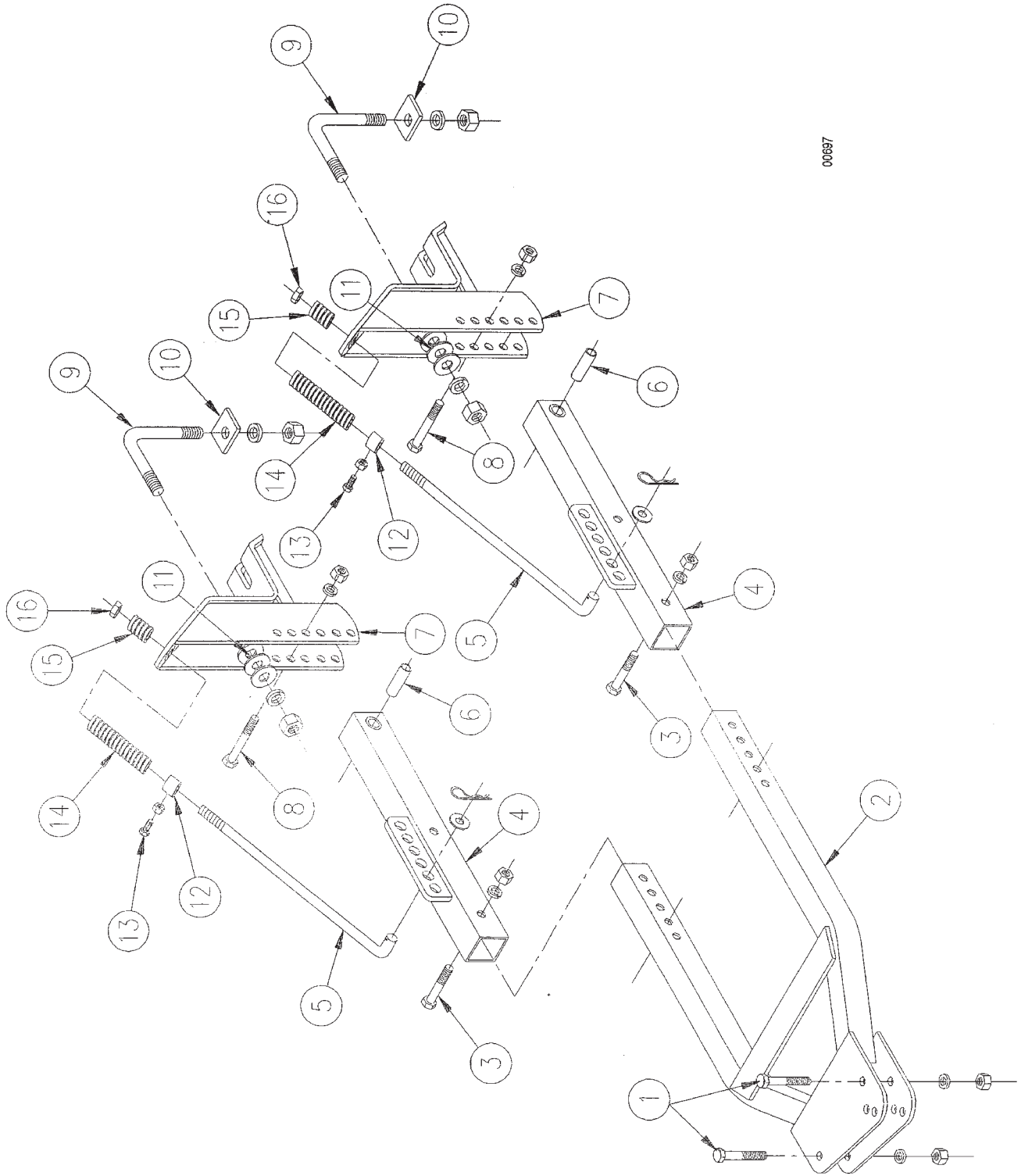
REAR TOW HITCH ASSEMBLY WITH HITCH SLIDE
& BALL JOINT (OPTIONAL)

ITEM	NUMBER	QTY	DESCRIPTION
1	SN6054		REAR TOW HITCH
2	SN6055		REAR TOW HITCH ARM
3	SN6056		ARM MOUNT
4	SNROL-108		5/8" X 3 1/2" X 4 11/16" W. U-BOLT
	SN669-1		5/8" LOCK NUT
5	SN3052		5/8" X 5 5/8" X 4 3/4" W. U-BOLT
	SN669-1		5/8" LOCK NUT
6	SN1753		1" X 4" HEX BOLT
	SN3938		1" LOCK NUT
7	SN1675		3/4" X 4 1/2" HEX BOLT
	SN1040		3/4" LOCK WASHER
	SN106		3/4" HEX NUT
8	SN4700		REAR TOW HITCH ADAPTER
9	SN1122		3/4" X 2 1/2" HEX BOLT
	SN1040		3/4" LOCK WASHER
	SN106		3/4" HEX NUT
	SN6058		REAR TOW HITCH ASSEMBLY W/4700B

I0000699

3070 FALLOW KING
ROLLING TREADER

REGULAR MOUNTING BRACKET ASSEMBLY



00697

**3070 FALLOW KING
ROLLING TREADER**

75

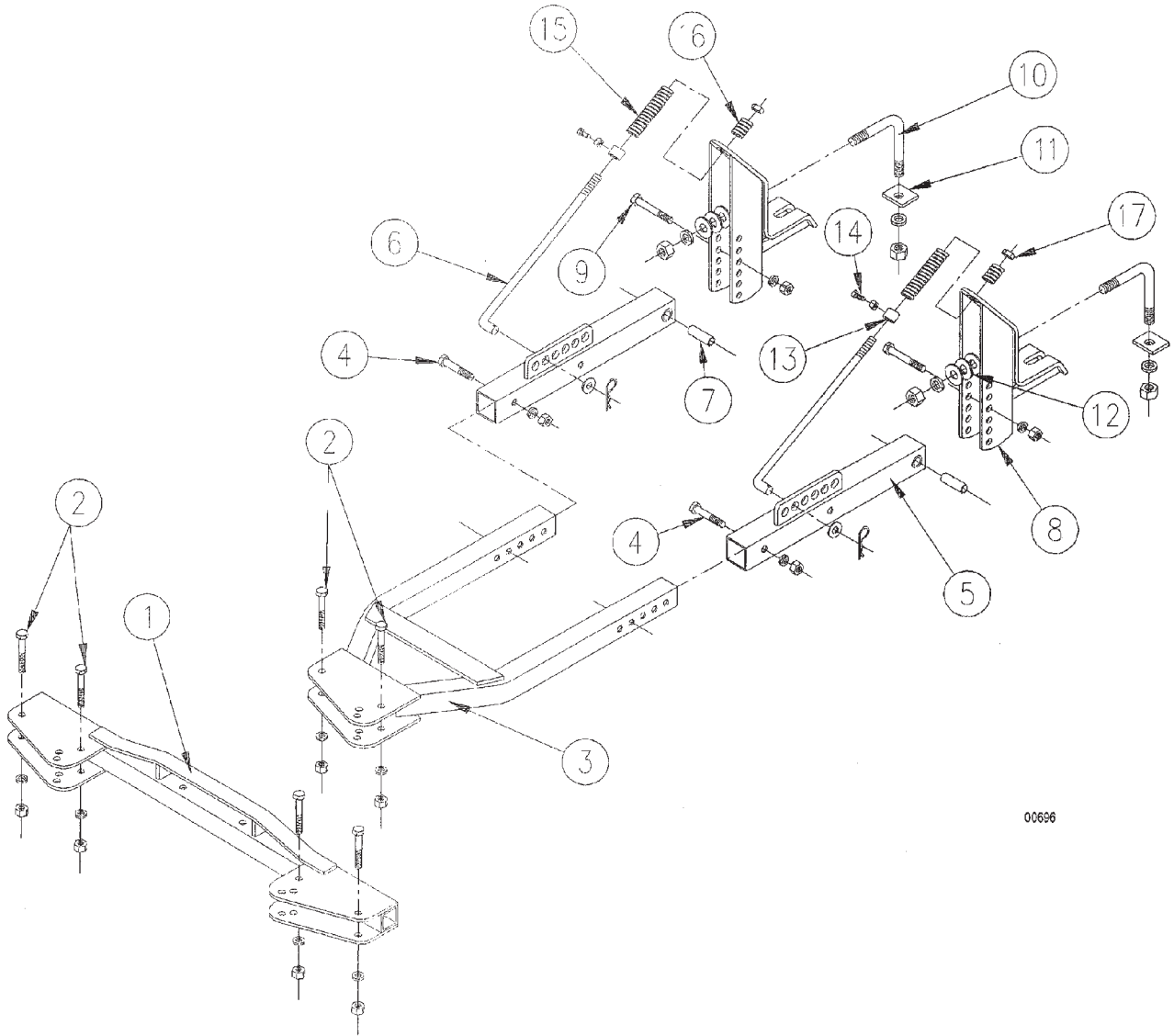
REGULAR MOUNTING BRACKET ASSEMBLY

ITEM	NUMBER	QTY	DESCRIPTION
1	SN1675		3/4" X 4 1/2" HEX BOLT
	SN1040		3/4" LOCK WASHER
	SN106		3/4" HEX NUT
2	SN4795		MAIN HARROW FRAME
3	SN1599		3/4" X 4" HEX BOLT
	SN1040		3/4" LOCK WASHER
	SN106		3/4" HEX NUT
4	SN4789		FRAME PIVOT TUBE
5	SN7000		HARROW ADJUSTING ROD, 27 1/2" L.
	SNFK501164		HARROW ADJUSTING ROD, 23 1/2" L.
	SNFK150173		1" FLAT WASHER
	SN71L-2901		3/4" HAIRPIN COTTER
6	SNFK501168		BUSHING
7	SN6999		MOUNTING BRACKET, 6 HOLE
	SN4884R		MOUNTING BRACKET, 5 HOLE
8	SN821		3/4" X 5" HEX BOLT
	SN1040		3/4" LOCK WASHER
	SN106		3/4" HEX NUT
9	SNFK150258		1" X 6 1/4" X 7" L-BOLT
	SN1283		1" LOCK WASHER
	SN110		1" HEX NUT
10	SNFK501229		MOUNTING WEDGE
11	SN245		1" FLAT WASHER
12	SNFK351023		ADJUSTING ROD LOCK COLLAR
13	SN2078		1/2" X 1" SET SCREW
	SN159		1/2" JAM NUT
14	SNFK361003		LOWER ADJUSTING ROD SPRING
15	SNFK361002		UPPER ADJUSTING ROD SPRING
16	SN3938		1" HEX NYLON LOCK NUT

I0000697

3070 FALLOW KING
ROLLING TREADER

REGULAR MOUNTING BRACKET ASSEMBLY
WITH DOUBLE MOUNTING HEAD



00696

**3070 FALLOW KING
ROLLING TREADER**

77

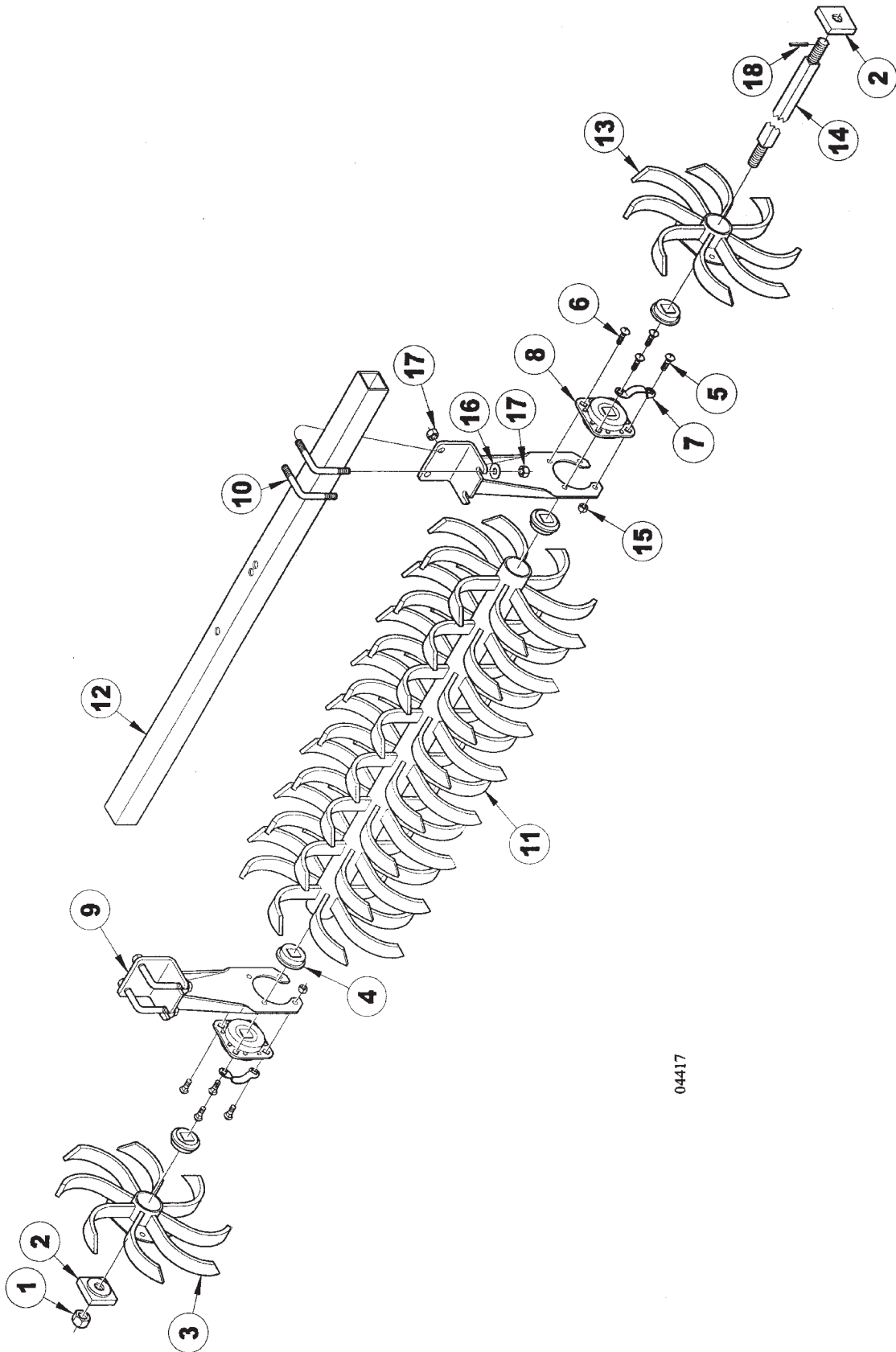
**REGULAR MOUNTING BRACKET ASSEMBLY
WITH DOUBLE MOUNTING HEAD**

ITEM	NUMBER	QTY	DESCRIPTION
1	SN4960		DOUBLE MOUNTING HEAD
2	SN1675		3/4" X 4 1/2" HEX BOLT
	SN1040		3/4" LOCK WASHER
	SN106		3/4" HEX NUT
3	SN4795		MAIN HARROW FRAME
4	SN1599		3/4" X 4" HEX BOLT
	SN1040		3/4" LOCK WASHER
	SN106		3/4" HEX NUT
5	SN4789		FRAME PIVOT TUBE
6	SN7000		HARROW ADJUSTING ROD, 27 1/2" L.
	SNFK501164		HARROW ADJUSTING ROD, 23 1/2" L.
	SNFK150173		1" FLAT WASHER
	SN71L-2901		3/4" HAIRPIN COTTER
7	SNFK501168		BUSHING
8	SN6999		MOUNTING BRACKET, 6 HOLE
	SN4884R		MOUNTING BRACKET, 5 HOLE
9	SN821		3/4" X 5" HEX BOLT
	SN1040		3/4" LOCK WASHER
	SN106		3/4" HEX NUT
10	SNFK150258		1" X 6 1/4" X 7" L-BOLT
	SN1283		1" LOCK WASHER
	SN110		1" HEX NUT
11	SNFK501229		MOUNTING WEDGE
12	SN245		1" FLAT WASHER
13	SNFK351023		ADJUSTING ROD LOCK COLLAR
14	SN2078		1/2" X 1" SET SCREW
	SN159		1/2" JAM NUT
15	SNFK361003		LOWER ADJUSTING ROD SPRING
16	SNFK361002		UPPER ADJUSTING ROD SPRING
17	SN3938		1" HEX NYLON LOCK NUT

I0000696

3070 FALLOW KING
ROLLING TREADER

ROLLING TREADER GANG ASSEMBLY



04417

ROLLING TREADER GANG ASSEMBLY

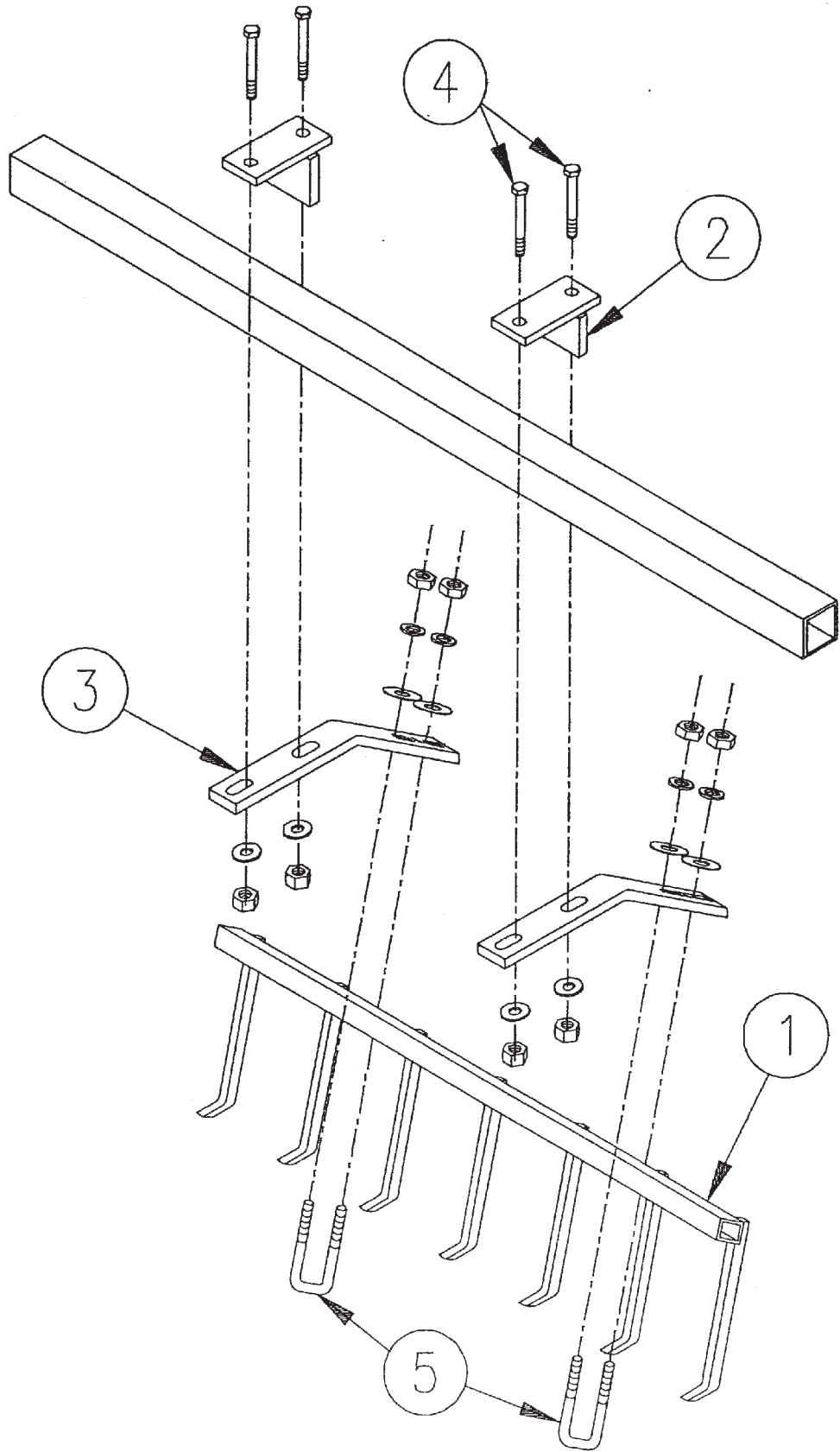
ITEM	NUMBER	QTY	DESCRIPTION
1	SNHCL		1" HEX CENTER LOCK NUT
2	SN10F-1639		GANG NUT
3	SN4820		8 TOOTH WHEEL, RIGHT
	SN4821		8 TOOTH WHEEL, LEFT (SHOWN)
4	SN4876		SPACER CASTING
5	SN1187		1/2" X 1 1/4" CARRIAGE BOLT
6	SNFK150185		1/2" X 1" CARRIAGE BOLT
7	SNH10-003		BEARING LUBRICATION FITTING GUARD
8	SNYYB3471		BEARING & FLANGE ASSEMBLY W/ZERK
9	SN4871		BEARING STANDARD
10	SNFK150257		5/8" X 3 3/4" X 3 3/4" L-BOLT
11	SN5090		6 WHEEL GANG, 8 TOOTH RIGHT
	SN5091		6 WHEEL GANG, 8 TOOTH LEFT
	SN4816		13 WHEEL GANG, 8 TOOTH RIGHT
	SN4815		13 WHEEL GANG, 8 TOOTH LEFT
12	SN5092		44" LONG HANGER BAR
	SN4879		89" LONG HANGER BAR
13	SN5155		8 TOOTH RIGHT LEVELING WHEEL
	SN5156		8 TOOTH LEFT LEVELING WHEEL (SHOWN)
14	SN9276		47 3/8" GANG SHAFT
	SN9283		89 3/8" GANG SHAFT
15	SN3735		1/2" CENTER LOCK NUT
16	SNFK150283		5/8" FLAT WASHER
17	SN669-1		5/8" LOCK NUT
18	SN3164		5/16" X 2" ROLL PIN

NOTE: ITEM (#14) SHAFT, IS A DIRECT REPLACEMENT FOR THE OLD STYLE SHAFT WHICH WAS THREADED ON ONE END. IF REPLACING THE OLD STYLE SHAFT WITH THE CURRENT SHAFT WHICH IS THREADED ON BOTH ENDS, AN ADDITIONAL GANG NUT (#2) AND ROLL PIN (#18) ARE REQUIRED.

I0004417

3070 FALLOW KING
ROLLING TREADER

STRIPPER ASSEMBLY



**3070 FALLOW KING
ROLLING TREADER**

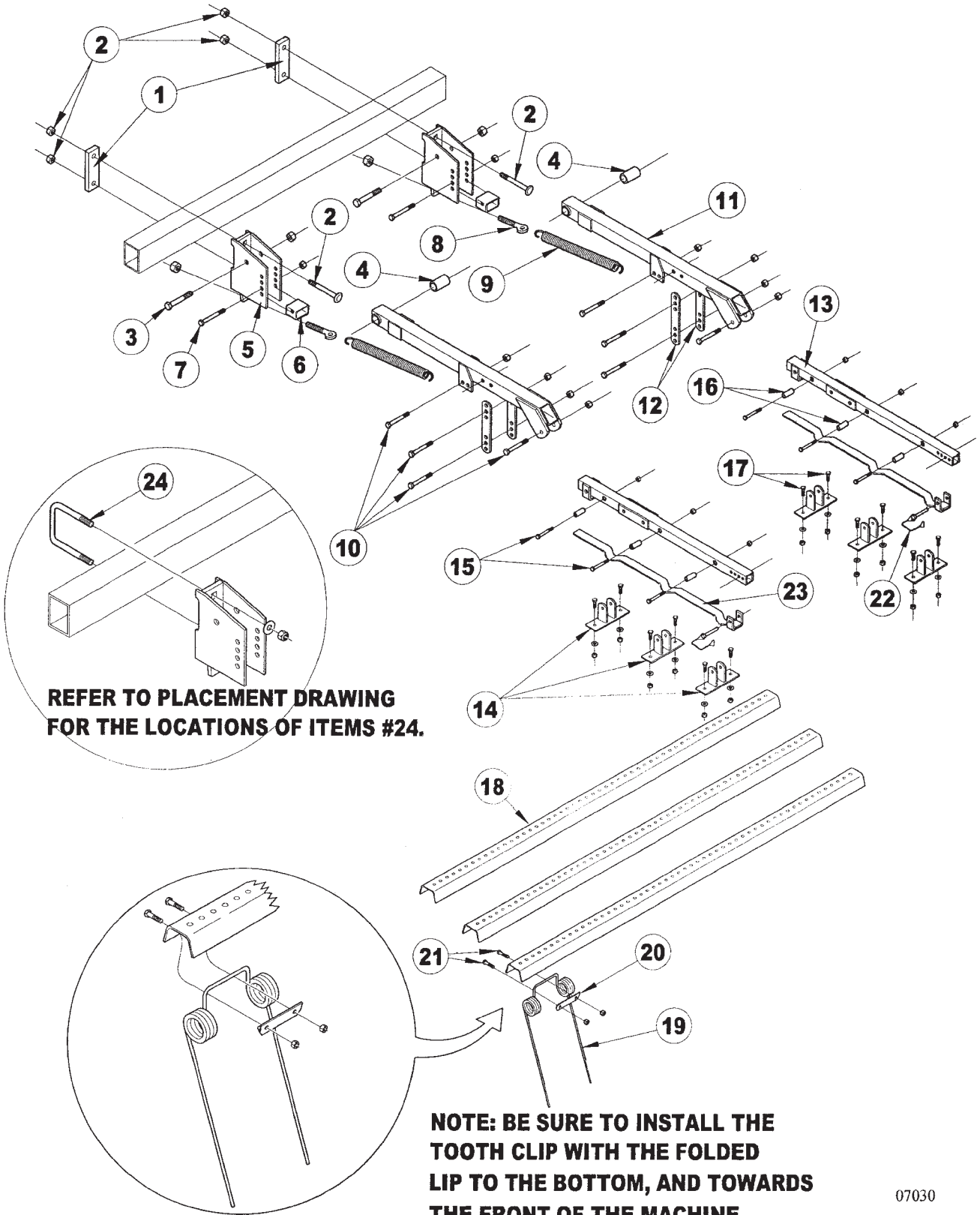
81

STRIPPER ASSEMBLY

ITEM	NUMBER	QTY	DESCRIPTION
1	SN5671		6 PRONG STRIPPER
2	SN5668		CLAMP PLATE
3	SN5669		MOUNT BAR
4	SN2557		5/8" X 4 1/2" HEX BOLT
	SN2089		5/8" FLAT WASHER
	SN669-1		5/8" LOCK NUT
5	SNR0G-014		STRIPPER BEAM U-BOLT
	SN486		1/2" FLAT WASHER
	SN113		1/2" LOCK WASHER
	SN114		1/2" HEX NUT

I0000562

DOUBLE ARM COIL TINE HARROW ASSEMBLY



3070 FALLOW KING
3 ROW COIL TINE

83

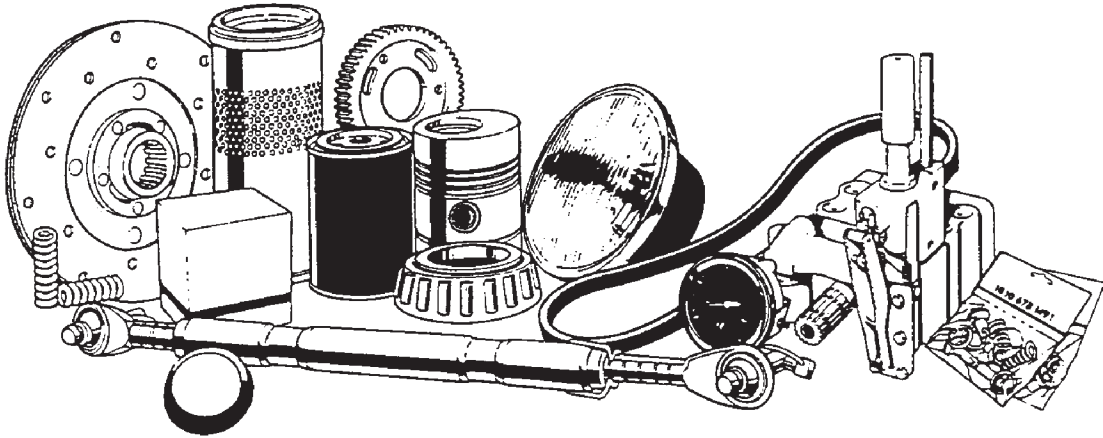
DOUBLE ARM COIL TINE HARROW ASSEMBLY

ITEM	NUMBER	QTY	DESCRIPTION
1	SN3647		CLAMP PLATE, 2 HOLE
2	SN3726		5/8" X 6 1/2" CARRIAGE BOLT
	SN669-1		5/8" LOCK NUT
3	SN3065		5/8" X 4" HEX BOLT
	SN669-1		5/8" LOCK NUT
4	SN3635		PIVOT BUSHING, 2 1/2" LONG
5	SN5719		HARROW MOUNT
6	SN3629		ARM STOP
7	SN3371		1/2" X 4" HEX BOLT
	SN2096		1/2" LOCK NUT
8	SN5731		EYE BOLT, 3/4" X 4 1/2"
	SNHEN3410		3/4" LOCK NUT
9	SN5732		SPRING, 1.40" O.D. X .82" I.D., 16 1/4"L
10	SN1507		1/2" X 3 1/2" HEX BOLT
	SN2096		1/2" LOCK NUT
11	SN5890		TINE CARRIER ARM, DOUBLE, LONG
12	SN5727		ANGLE LINK
13	SN5729		HARROW SUBFRAME (11" ROW SPACING SHOWN)
	SN7908		HARROW SUBFRAME, 3 ROW (15" ROW SPACING)
14	SN5723		TINE BAR PIVOT
15	SN4738		3/8" X 2 3/4" HEX BOLT
	SN3566		3/8" CENTER LOCK NUT
16	SN5730		PIVOT BUSHING
17	SN178		3/8" X 1" HEX BOLT
	SN317		3/8" FLAT WASHER
	SN3566		3/8" CENTER LOCK NUT
18	SN3610		67 1/2" TINE CHANNEL
	SN3611		82 1/2" TINE CHANNEL
19	SN5715		16" HARROW TOOTH
20	SN3621		TOOTH CLIP
21	SN175		3/8" X 1 1/2" HEX BOLT
	SN3567		3/8" NYLON LOCK NUT
22	SN3557		3/8" X 2 1/2" QUICK PIN
23	SN5724		TINE ANGLE ADJUSTMENT STOP (11" ROW SPACING SHOWN)
	SN7907		TINE ANGLE ADJUSTMENT STOP (15" ROW SPACING)
24	SN3052		U-BOLT, 5/8"-11 X 5 5/8" X 4 3/4" W, GR 5, Y/D
	SN2089		FLAT WASHER, 5/8", Y/D
	SN669-1		LOCK NUT, 5/8" HEX NYLON INSERT, GR 5, Y/D

I0007030

RECOMMENDED DEALER STOCK

RECOMMENDED DEALER'S STOCK



**3070 FALLOW KING
RECOMMENDED DEALER LIST**

85

RECOMMENDED DEALER STOCK

ITEM	NUMBER	QTY	DESCRIPTION
-	SN3303	1	1 1/32" I.D. X 1 3/4" O.D. WASHER
-	SN3302	1	1" SLOTTED FULL NUT
-	SN5715	8	16" HARROW TOOTH
-	SN1025	2	20" COULTER BLADE
-	SNFK320033	2	22" COULTER BLADE, 5 BOLT
-	SN5543	5	26" HFB STRAIGHT WING SWEEP
-	SN7012	5	32" HFB STRAIGHT WING SWEEP
-	SN5156	2	8 TOOTH LEFT LEVELING WHEEL
-	SN5155	2	8 TOOTH RIGHT LEVELING WHEEL
-	SN4821	2	8 TOOTH WHEEL, LEFT
-	SN4820	2	8 TOOTH WHEEL, RIGHT
-	SNFK502466	1	ANCHOER BUSHING
-	SNYYB3471	2	BEARING & FLANGE ASSEMBLY W/ZERK
-	SN1610	1	DUST CAP
-	SN5731	2	EYE BOLT, 3/4" X 4 1/2"
-	SN2799	1	FIVE BOLT HUB ASSEMBLY (ITEMS 22 - 32)
-	SN124	1	FOUR BOLT HUB
-	SN120	2	GREASE SEAL, DOUBLE LIP
-	SN3365	1	HITCH PIN
-	SN3366	1	HITCH SPRING
-	SN1602	2	INNER BEARING (LM48548)
-	SN1935	2	INNER BEARING (LM501349)
-	SN1603	2	INNER RACE (LM48510)
-	SN1936	2	INNER RACE (LM501310)
-	SN127	2	OUTER BEARING
-	SN1606	2	OUTER BEARING (LM67048)
-	SN126	2	OUTER RACE
-	SN1605	2	OUTER RACE (LM67010)
-	SN8775-1	2	SEAL KIT, 3 1/2", 1 1/4" ROD
-	SN8767-1	2	SEAL KIT, 3 1/4", 1 1/4" ROD
-	SN8776-1	2	SEAL KIT, 3 3/4", 1 3/8" ROD
-	SN8762-1	2	SEAL KIT, 3", 1 1/4" ROD
-	SN8939-1	2	SEAL KIT, 3", 1 1/4" ROD
-	SN8612-1	2	SEAL KIT, 4", 1 1/2" ROD
-	SN8784-1	2	SEAL KIT, 4", 1 1/2" ROD
-	SN8781-1	2	SEAL KIT, 4", 1 3/8" ROD
-	SN12039	2	SEAL KIT, 5", 2" ROD
-	SN8794-1	2	SEAL KIT, 5", 2" ROD
-	SN5540	2	SHANK, 1 1/2" X 2" X 30"
-	SN3300	1	SIX BOLT HUB ASSEMBLY WITH 3301 SEAL
-	SN7001	1	SMV EMBLEM
-	SN5732	2	SPRING, 1.40" O.D. X .82" I.D., 16 1/4"L
-	SN3621	8	TOOTH CLIP
-	SN3301	2	TRIPLE LIP SEAL
-	SN1799	2	TRIPLE LIP SEAL (C/R 17618)
-	SN4843	2	U-BOLT, 1/2"-13 X 5 1/4" X 2 1/2" W,
-	SN3052	2	U-BOLT, 5/8"-11 X 5 5/8" X 4 3/4" W,

NOTE: THIS PARTS STOCK LIST
INDICATES THOSE ITEMS RECOMMENDED
TO SERVICE ONE UNIT.

RDL

CULTIVATORS/PACKERS

PARTS CATALOG

SUNFLOWER[®]
5055 44' - 62' FIELD CULTIVATOR
ATTACHMENTS

RECOMMENDED DEALER LIST	
RECOMMENDED DEALER STOCK	19
SPIKE & REEL PARTS SECTION	
REAR JACK ASSEMBLY	15
3-ROW SPIKE DRAG & REEL	11
3-ROW COIL TINE PARTS SECTION	
DOUBLE ARM COIL TINE HARROW ASSEMBLY	17
4-ROW SPIKE DRAG PARTS SECTION	
4-ROW SPIKE DRAG ASSEMBLY	7
5-ROW SPIKE DRAG PARTS SECTION	
5-ROW SPIKE DRAG ASSEMBLY	9

5055 FIELD CULTIVATOR ATTACHMENTS

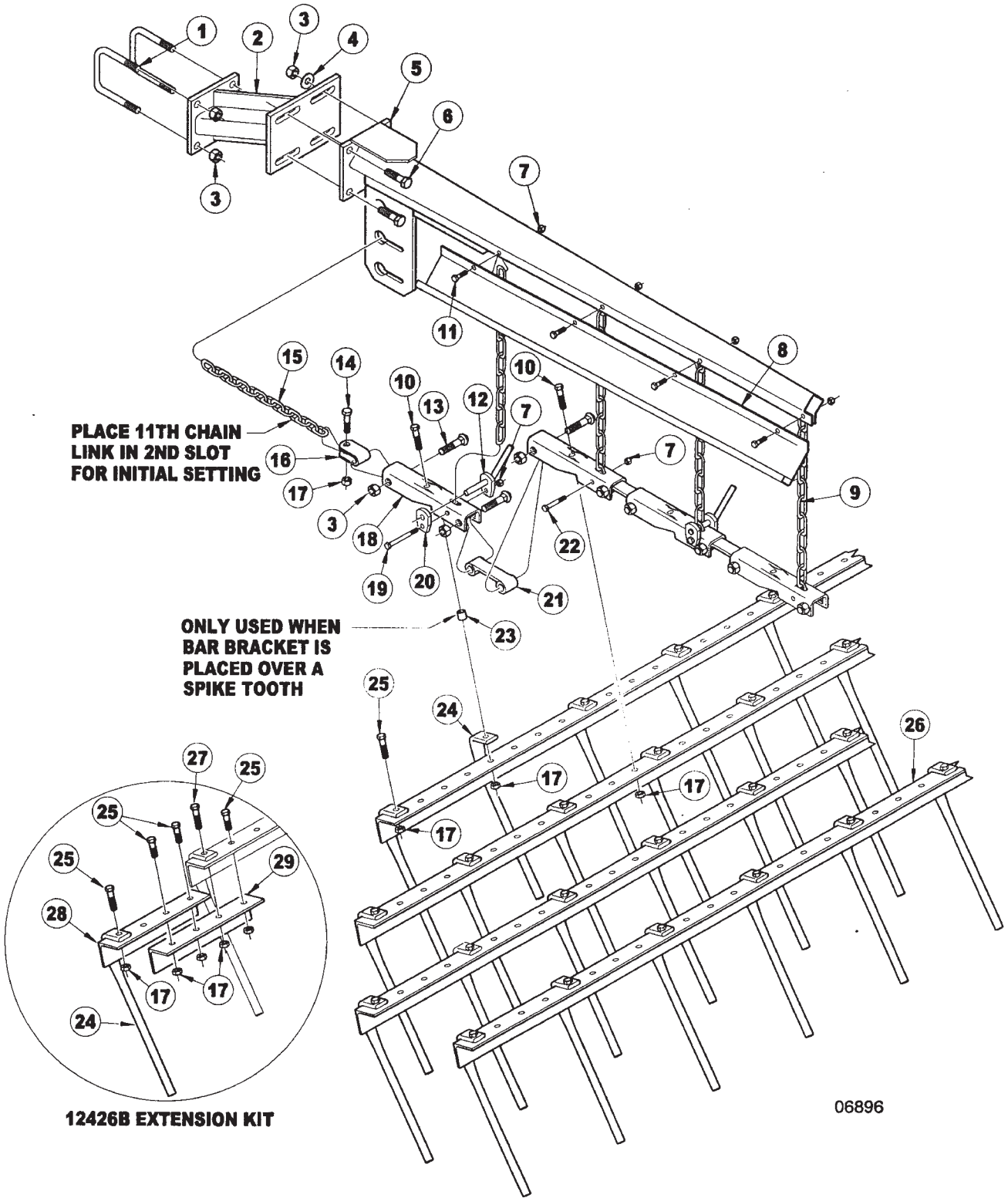
Part No.	Page	Grid	Part No.	Page	Grid	Part No.	Page	Grid	Part No.	Page	Grid
SNHEN3410	17	1-B 7	SN3609	17	1-B 7	SN5732	17	1-B 7			
SN10057	11	1-B 7	SN3610	17	1-B 7	SN5732	19	1-B 7			
SN10059B	11	1-B 7	SN3611	17	1-B 7	SN5810	7	1-B 6			
SN10061	11	1-B 7	SN3612	17	1-B 7	SN5810	13	1-B 7			
SN10147	7	1-B 6	SN3613	11	1-B 7	SN5811	9	1-B 6			
SN10148B	7	1-B 6	SN3619	11	1-B 7	SN5811	11	1-B 7			
SN10149B	7	1-B 6	SN3619	19	1-B 7	SN5890	17	1-B 7			
SN10153	7	1-B 6	SN3621	17	1-B 7	SN5954	11	1-B 7			
SN10154	7	1-B 6	SN3621	19	1-B 7	SN5955	9	1-B 6			
SN10155	7	1-B 6	SN3622	11	1-B 7	SN5955	11	1-B 7			
SN10156	7	1-B 6	SN3623	11	1-B 7	SN669-1	7	1-B 6			
SN10158	7	1-B 6	SN3625	11	1-B 7	SN669-1	9	1-B 6			
SN10160	7	1-B 6	SN3626	11	1-B 7	SN669-1	11	1-B 7			
SN10161	7	1-B 6	SN3628	11	1-B 7	SN669-1	15	1-B 7			
SN10161	19	1-B 7	SN3628	19	1-B 7	SN669-1	17	1-B 7			
SN10162	7	1-B 6	SN3629	17	1-B 7	SN670	7	1-B 6			
SN10162	19	1-B 7	SN3635	17	1-B 7	SN670	11	1-B 7			
SN10163	7	1-B 6	SN3635	19	1-B 7	SN7013	7	1-B 6			
SN1040	11	1-B 7	SN3644	11	1-B 7	SN7013	9	1-B 6			
SN106	11	1-B 7	SN3645	11	1-B 7	SN7013	11	1-B 7			
SN112	7	1-B 6	SN3647	17	1-B 7	SN7013	19	1-B 7			
SN112	9	1-B 6	SN3652	13	1-B 7	SN7013	19	1-B 7			
SN112	11	1-B 7	SN3859	17	1-B 7	SN7016	9	1-B 6			
SN12131	7	1-B 6	SN3894	9	1-B 6	SN7016	11	1-B 7			
SN12131	9	1-B 6	SN3894	11	1-B 7	SN7017	9	1-B 6			
SN12424	7	1-B 6	SN3894	19	1-B 7	SN7017	11	1-B 7			
SN12425	7	1-B 6	SN3895	11	1-B 7	SN7270	13	1-B 7			
SN1507	11	1-B 7	SN3895	19	1-B 7	SN7273	13	1-B 7			
SN1507	17	1-B 7	SN3895B	9	1-B 6	SN7605	9	1-B 6			
SN156	11	1-B 7	SN3917	17	1-B 7	SN7907	17	1-B 7			
SN1599	11	1-B 7	SN3964	13	1-B 7	SN7908	17	1-B 7			
SN1609	11	1-B 7	SN3967	9	1-B 6	SN7918	9	1-B 6			
SN175	13	1-B 7	SN3968	9	1-B 6	SN9777	15	1-B 7			
SN175	17	1-B 7	SN3969	9	1-B 6	SN9917	11	1-B 7			
SN178	17	1-B 7	SN3969	11	1-B 7						
SN1823	7	1-B 6	SN3971	9	1-B 6						
SN1823	9	1-B 6	SN3971	11	1-B 7						
SN1823	11	1-B 7	SN3972	9	1-B 6						
SN194	7	1-B 6	SN3972	11	1-B 7						
SN194	11	1-B 7	SN3976	7	1-B 6						
SN2045	7	1-B 6	SN3976	9	1-B 6						
SN2045	9	1-B 6	SN3976	11	1-B 7						
SN2045	11	1-B 7	SN3976	19	1-B 7						
SN2094	15	1-B 7	SN3977	9	1-B 6						
SN2096	7	1-B 6	SN3977	11	1-B 7						
SN2098-6	11	1-B 7	SN3979	9	1-B 6						
SN2557	13	1-B 7	SN3979	11	1-B 7						
SN2755	11	1-B 7	SN3982	7	1-B 6						
SN2867	15	1-B 7	SN3982	9	1-B 6						
SN3065	17	1-B 7	SN3982	13	1-B 7						
SN317	17	1-B 7	SN3983	7	1-B 6						
SN3215	11	1-B 7	SN3983	9	1-B 6						
SN3215	19	1-B 7	SN3984	7	1-B 6						
SN3306	7	1-B 6	SN3984	9	1-B 6						
SN3306	9	1-B 6	SN3985	7	1-B 6						
SN3306	13	1-B 7	SN3985	9	1-B 6						
SN3306	15	1-B 7	SN3985	11	1-B 7						
SN3306	19	1-B 7	SN4738	7	1-B 6						
SN3335	11	1-B 7	SN4738	9	1-B 6						
SN3352	15	1-B 7	SN4738	11	1-B 7						
SN3353	15	1-B 7	SN4738	17	1-B 7						
SN3354	15	1-B 7	SN4870	11	1-B 7						
SN3355	15	1-B 7	SN4888	13	1-B 7						
SN3371	15	1-B 7	SN5059	7	1-B 6						
SN3371	17	1-B 7	SN5059B	9	1-B 6						
SN3557	17	1-B 7	SN5106	7	1-B 6						
SN3565	7	1-B 6	SN5106B	9	1-B 6						
SN3565	9	1-B 6	SN5715	17	1-B 7						
SN3566	17	1-B 7	SN5715	19	1-B 7						
SN3567	7	1-B 6	SN5719	17	1-B 7						
SN3567	9	1-B 6	SN5723	17	1-B 7						
SN3567	11	1-B 7	SN5727	17	1-B 7						
SN3567	17	1-B 7	SN5730	17	1-B 7						
SN3569	17	1-B 7	SN5731	17	1-B 7						
SN3606	11	1-B 7	SN5731	19	1-B 7						

5055 FIELD CULTIVATOR ATTACHMENTS

Part No.	Page	Grid	Part No.	Page	Grid	Part No.	Page	Grid	Part No.	Page	Grid
----------	------	------	----------	------	------	----------	------	------	----------	------	------

5055 44' - 62' FIELD CULTIVATOR ATTACHMENTS
4-ROW SPIKE DRAG PARTS SECTION

4-ROW SPIKE DRAG ASSEMBLY



5055 44' - 62' FIELD CULTIVATOR ATTACHMENTS
4-ROW SPIKE DRAG PARTS SECTION

7

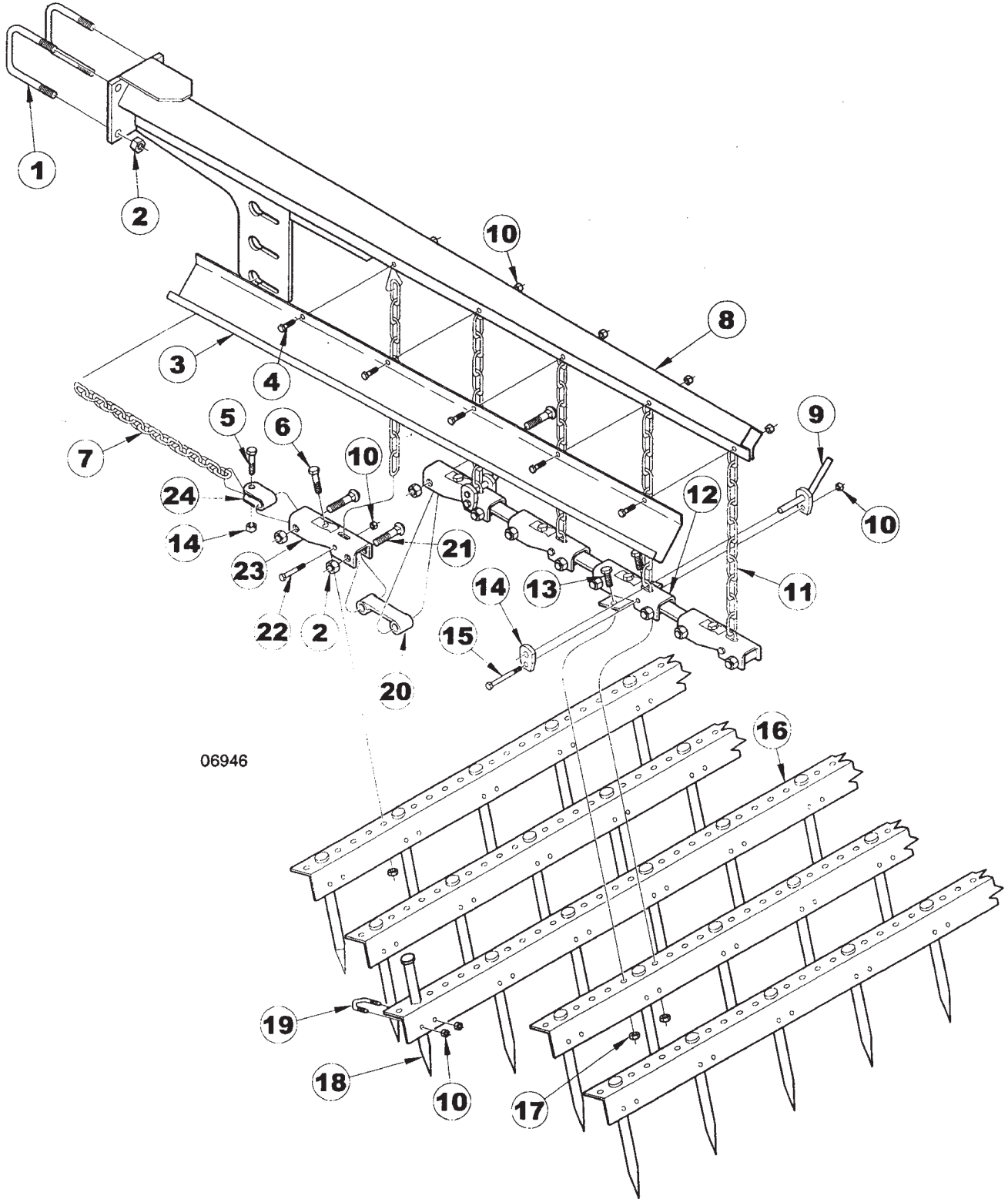
4-ROW SPIKE DRAG ASSEMBLY

ITEM	NUMBER	QTY	DESCRIPTION
1	SN3306		U-BOLT, 5/8"-11 X 4 1/2" X 4 5/8" W,5, Y/D GR
2	SN10158		EXTENSION, 4 5/8" RISE
3	SN669-1		LOCK NUT, 5/8" HEX NYLON
4	SN5810		WASHER, 1 5/16" OD X 11/16" ID.149" THICK, HARDENED, Y/D
5	SN10160		ARM, SPIKE TOOTH 4 ROW
6	SN670		HEX BOLT, 5/8"-11 X 2", GR 5, Y/D
7	SN3567		LOCK NUT, 3/8"-16 HEX NYLON INSERT, GR 2, Y/D
8	SN12131		CATCH TRAY, 48"
9	SN3982		CHAIN, 7/0 SIDE 10 LINKS
10	SN112		HEX BOLT, 1/2"-13 X 2 1/2", GR 5, Y/D
11	SN3984		HEX BOLT, 3/8"-16 X 1 1/4",GR 5, Y/D
12	SN5106		CATCH TRAY HOOK
13	SN3985		CARRIAGE BOLT, 5/8"-11 X 3" GR 5, Y/D SPECIAL
14	SN2045		HEX BOLT, 1/2"-13 X 1 3/4", GR5, Y/D
15	SN3983		CHAIN, 5/16" PROOF, 25 LINKS
16	SN7013		U-CLIP
17	SN2096		LOCK NUT, 1/2"-13 HEX NYLON INSERT
18	SN10163		BAR BRACKET
19	SN3565		HEX BOLT, 3/8"-16 X 3 1/2", GR 5, Y/D
20	SN5059		PLATE, CATCH TRAY HOOK
21	SN3976		LINK, OFFSET
22	SN4738		HEX BOLT, 3/8"-16 X 2 3/4", GR 5, Y/D
23	SN10162		BUSHING,.750" OD X.500" ID, 11/16"L
24	SN10161		TOOTH, SPIKE 3/4" ROUND
25	SN1823		HEX BOLT, 1/2"-13 X 1 1/4", GR 5, Y/D
26	SN10153		TOOTH, SPIKE BAR 7 1/4' (8 TOOTH)
	SN10147		TOOTH, SPIKE BAR 8 1/4' (9 TOOTH)
	SN10154		TOOTH, SPIKE BAR 9 1/4' (10 TOOTH)
	SN10155		TOOTH, SPIKE BAR 10 1/4' (11 TOOTH)
	SN10148B		TOOTH, SPIKE BAR 11 1/4' (12 TOOTH)
	SN10156		TOOTH, SPIKE BAR 12 1/4' (13 TOOTH)
	SN10149B		TOOTH, SPIKE BAR 14 1/4' (15 TOOTH)
27	SN194		HEX BOLT, 1/2"-13 X 1 1/2",GR 5, Y/D
28	SN12425		BAR, SPIKE TOOTH EXTENSION,11 7/8" L
29	SN12424		CONNECTOR, SPIKE BAR EXTENSION

I0006896

5055 44' - 62' FIELD CULTIVATOR ATTACHMENTS
5-ROW SPIKE DRAG PARTS SECTION

5-ROW SPIKE DRAG ASSEMBLY



5055 44' - 62' FIELD CULTIVATOR ATTACHMENTS
5-ROW SPIKE DRAG PARTS SECTION

9

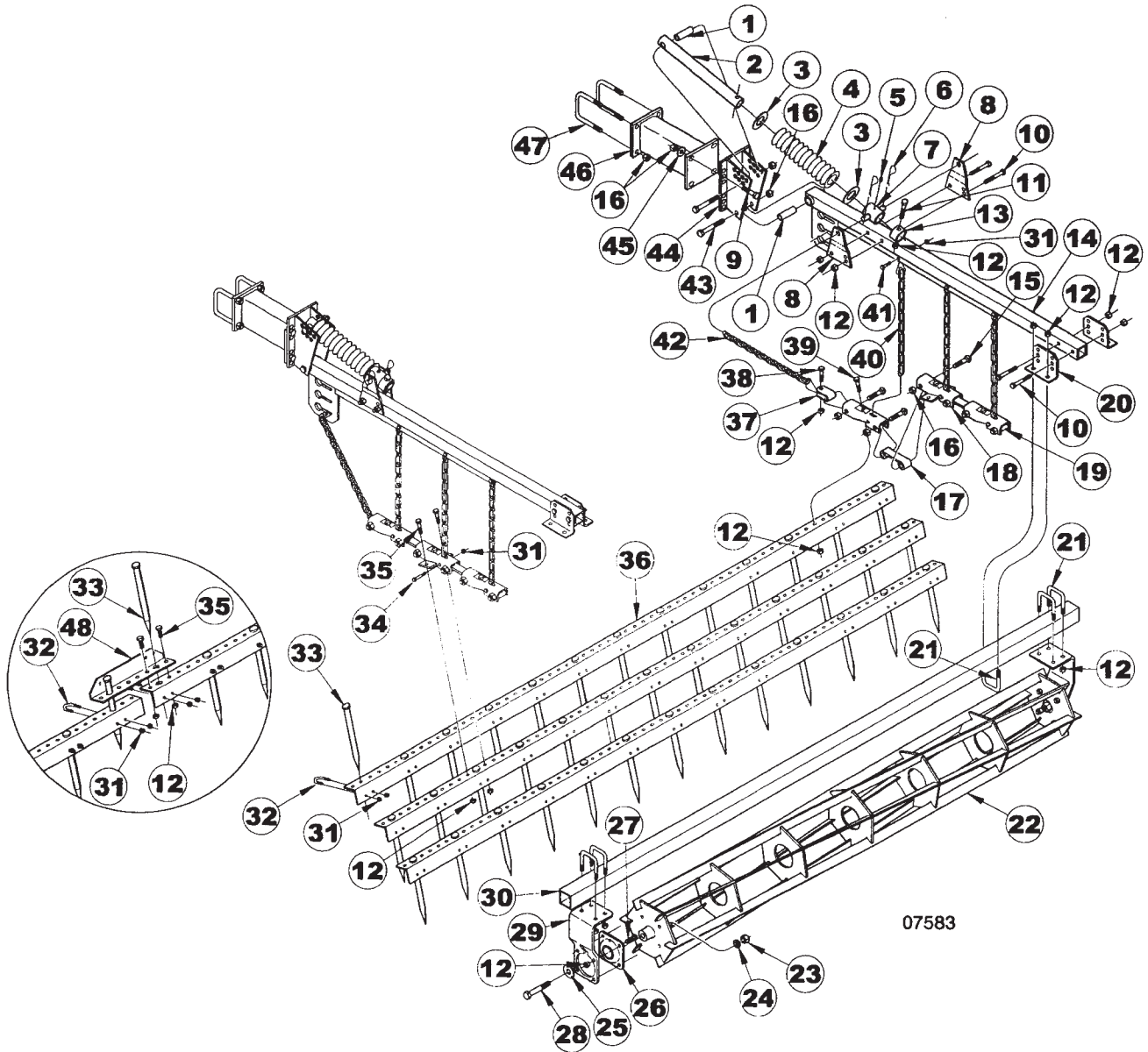
5-ROW SPIKE DRAG ASSEMBLY

ITEM	NUMBER QTY	DESCRIPTION
1	SN3306	U-BOLT, 5/8"-11 X 4 1/2" X 4 5/8" W, GR 5, Y/D
2	SN669-1	LOCK NUT, 5/8" HEX NYLON
3	SN12131	CATCH TRAY, 48"
4	SN3984	HEX BOLT, 3/8"-16 X 1 1/4", GR 5, Y/D
5	SN2045	HEX BOLT, 1/2"-13 X 1 3/4", GR5, Y/D
6	SN112	HEX BOLT, 1/2"-13 X 2 1/2", GR 5, Y/D
7	SN3983	CHAIN, 5/16" PROOF, 25 LINKS
8	SN7918	SPIKE TOOTH ARM, 5 ROW EXTEND-ED
9	SN5106B	CATCH TRAY HOOK
10	SN3567	LOCK NUT, 3/8"-16 HEX NYLON INSERT, GR 2, Y/D
11	SN3982	CHAIN, 7/0 SIDE 10 LINKS
12	SN3979	DOUBLE BAR BRACKET
13	SN1823	HEX BOLT, 1/2"-13 X 1 1/4", GR 5, Y/D
14	SN5059B	PLATE, CATCH TRAY HOOK
15	SN3565	HEX BOLT, 3/8"-16 X 3 1/2", GR 5, Y/D
16	SN7605	SPIKE TOOTH BAR, 4 1/4' (6 TOOTH)
	SN3967	SPIKE TOOTH BAR, 5' (7 TOOTH)
	SN7016	SPIKE TOOTH BAR, 5 1/2' (8 TOOTH)
	SN3968	SPIKE TOOTH BAR, 6 1/2' (9 TOOTH)
	SN7017	SPIKE TOOTH BAR, 7 1/4' (10 TOOTH)
	SN3969	SPIKE TOOTH BAR, 8' (11 TOOTH)
	SN5955	SPIKE TOOTH BAR, 10 1/4' (14 TOOTH)
	SN3971	SPIKE TOOTH BAR, 11'(15 TOOTH)
	SN5811	SPIKE TOOTH BAR, 11 3/4' (16 TOOTH)
	SN3972	SPIKE TOOTH BAR, 12 1/2' (17 TOOTH)
17	SN2096	LOCK NUT, 1/2"-13 HEX NYLON INSERT
18	SN3895B	SPIKE TOOTH, 3/4" X 11"
19	SN3894	TRI-BEND BOLT, 3/8"-16 X
20	SN3976	LINK, OFFSET
21	SN3985	CARRIAGE BOLT, 5/8"-11 X 3" GR 5, Y/D SPECIAL
22	SN4738	HEX BOLT, 3/8"-16 X 2 3/4", GR 5, Y/D
23	SN3977	BAR BRACKET
24	SN7013	U-CLIP

I0006946

5055 44' - 62' FIELD CULTIVATOR ATTACHMENTS
SPIKE & REEL PARTS SECTION

3-ROW SPIKE DRAG & REEL



07583

5055 44' - 62' FIELD CULTIVATOR ATTACHMENTS
SPIKE & REEL PARTS SECTION

11

3-ROW SPIKE DRAG & REEL

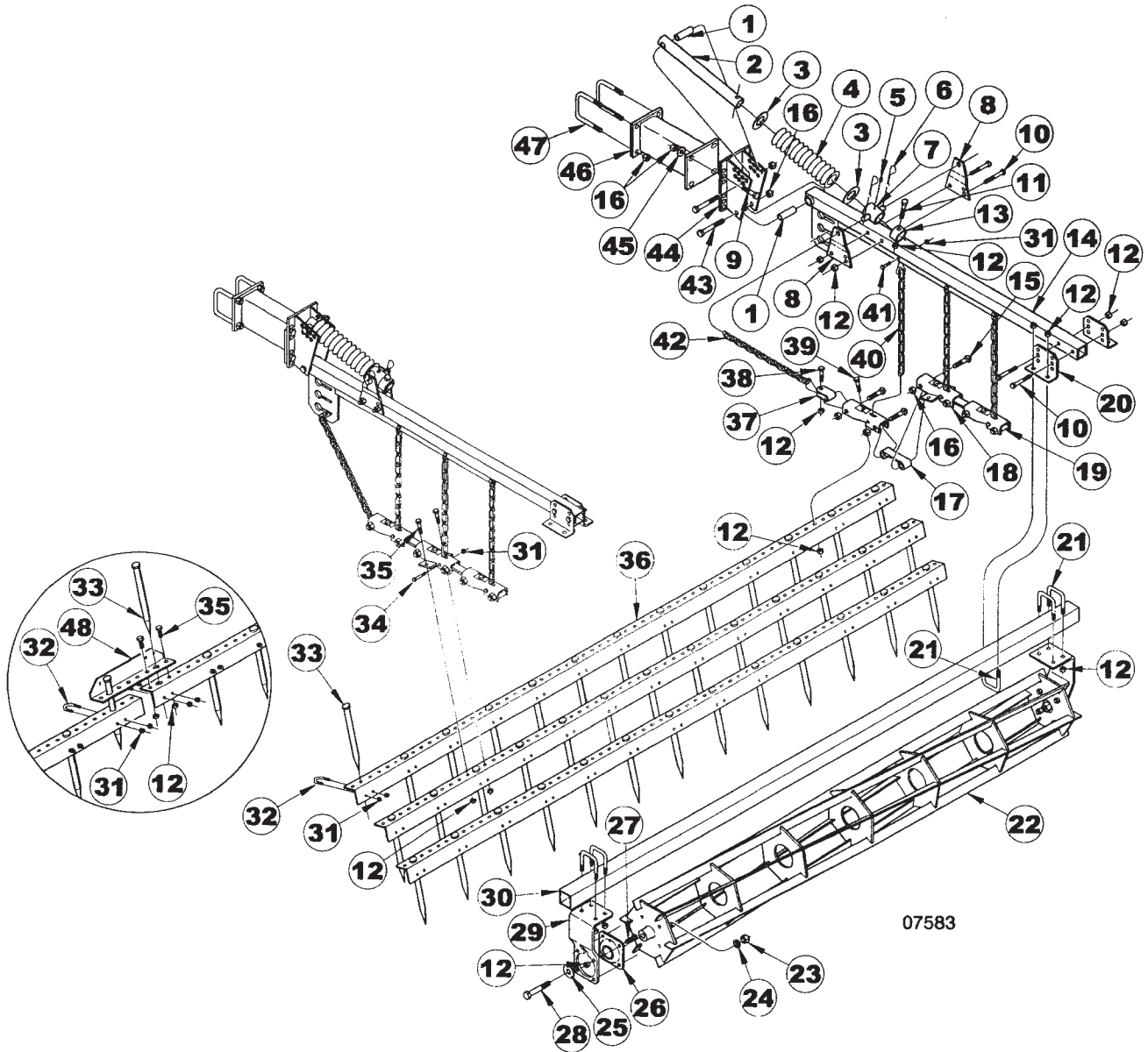
ITEM	NUMBER	QTY	DESCRIPTION
1	SN3628		REEL CARRIER ARM PIVOT BUSHING
2	SN3625		SPRING TUBE
3	SN2755		FLAT WASHER, 1 9/16"ID X
4	SN3335		SPRING
5	SN2098-6		GREASE ZERK, 1/4"-28, 17/32" L
6	SN1609		COTTER PIN, 3/16" X 1 1/2"
7	SN3623		SPRING PIVOT
8	SN3606		SPRING MOUNT
9	SN670		HEX BOLT, 5/8"-11 X 2", GR 5, Y/D
10	SN1507		HEX BOLT, 1/2"-13 X 3 1/2", GR 5, Z/P
11	SN156		HEX BOLT, 1/2"-13 X 3", GR 5 Z/P
12	SN2096		LOCK NUT, 1/2"-13 HEX NYLON INSERT
13	SN3626		SPRING STOP
14	SN4870		SPIKE & REEL ARM
15	SN3985		BOLT,CGE, 5/8-11 X 3 GR5, Z/P SPECIAL
16	SN669-1		LOCK NUT, 5/8" HEX NYLON
17	SN3976		LINK, OFFSET
18	SN3979		DOUBLE BAR BRACKET
19	SN3977		BAR BRACKET
20	SN3622		REEL GANG BAR MOUNT
21	SN3619		U-BOLT, 1/2-13 X 3 5/8 X 3 W, GR 5, Z/P
22	SN10057		REEL, 41 1/4"
	SN10059B		REEL, 56 1/4"
	SN10061		REEL, 71 1/4"
23	SN106		HEX NUT, 3/4"-10 FULL, GR 5, Z/P
24	SN1040		LOCK WASHER, 3/4" SPLIT TYPE MED, Z/P
25	SN3613		FLAT WASHER,7/8ID X 2 1/8OD X 1/4THK,Z/P
26	SN3215		FLANGETTE BEARING, 1 3/4" BORE
27	SN194		HEX BOLT, 1/2"-13 X 1 1/2",GR 5, Y/D,USA
28	SN1599		HEX BOLT, 3/4"-10 X 4", GR 5, Z/P
29	SN9917		BEARING STANDARD
30	SN3644		GANG BAR, 75"
	SN3645		GANG BAR, 90"
31	SN3567		LOCK NUT, 3/8"-16 HEX NYLON INSERT, GR 2, Z/P
32	SN3894		TRI-BEND BOLT, 3/8"-16 X 1 1/2", Z/P
33	SN3895		SPIKE TOOTH, 3/4" X 11"
34	SN4738		HEX BOLT, 3/8"-16 X 2 3/4", GR 5, Z/P
35	SN1823		HEX BOLT, 1/2"-13 X 1 1/4", GR 5, Z/P
36	SN7016		SPIKE TOOTH BAR, 5 1/2' (8TOOTH)
	SN7017		SPIKE TOOTH BAR, 7 1/4' (10 TOOTH)
	SN3969		SPIKE TOOTH BAR, 8' (11 TOOTH)
	SN5954		SPIKE TOOTH BAR, 8 3/4' (12 TOOTH)
	SN5955		SPIKE TOOTH BAR, 10 1/4' (14 TOOTH)
	SN3971		SPIKE TOOTH BAR, 11' (15 TOOTH)
	SN5811		SPIKE TOOTH BAR, 11 3/4' (16 TOOTH)
	SN3972		SPIKE TOOTH BAR, 12 1/2' (17 TOOTH)
37	SN7013		U-CLIP
38	SN2045		HEX BOLT, 1/2"-13 X 1 3/4", GR5, Z/P
39	SN112		HEX BOLT, 1/2"-13 X 2 1/2", GR 5, Z/P

CONTINUED

I0007583

5055 44' - 62' FIELD CULTIVATOR ATTACHMENTS
SPIKE & REEL PARTS SECTION

3-ROW SPIKE DRAG & REEL



5055 44' - 62' FIELD CULTIVATOR ATTACHMENTS
SPIKE & REEL PARTS SECTION

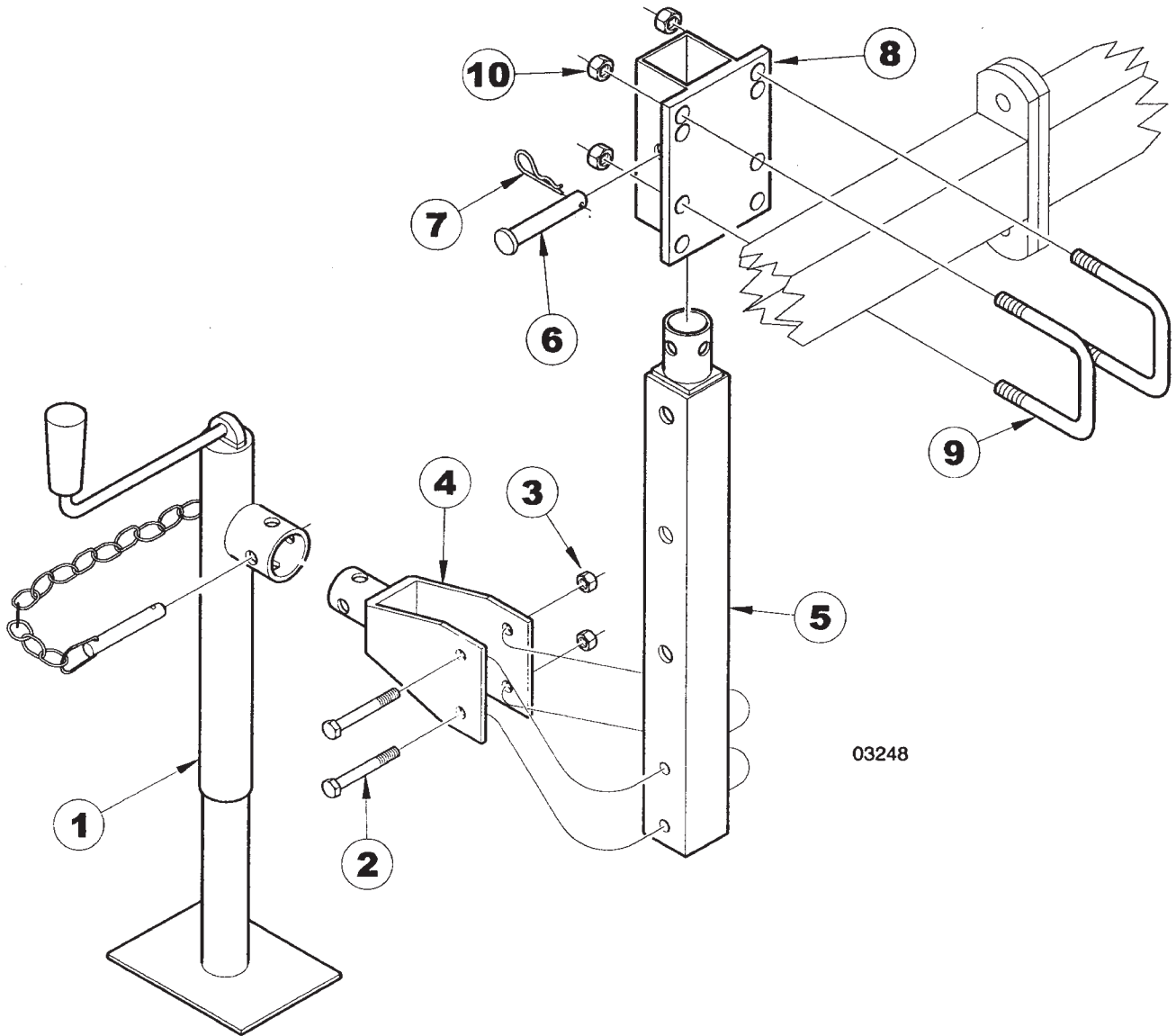
13

3-ROW SPIKE DRAG & REEL

ITEM	NUMBER	QTY	DESCRIPTION
40	SN3982		CHAIN, 7/0 SIDE 10 LINKS
41	SN175		HEX BOLT, 3/8"-16 X 1 1/2", GR 5,Y/D
42	SN4888		CHAIN, 5/16" PROOF, 15 LINKS
43	SN2557		HEX BOLT, 5/8"-11 X 4 1/2", GR 5, Z/P
44	SN3652		REEL & TINE MOUNT
45	SN5810		WASHER, 1 5/16 OD X 11/16 ID .149 THK, HARDENED, Z/P
46	SN7270		HARROW ARM EXTENSION, 12"
	SN7273		HARROW ARM EXTENSION, 12" L
47	SN3306		U-BOLT, 5/8-11 X 4 1/2 X 4 5/8 W, GR 5, Z/P
48	SN3964		SPIKE TOOTH EXTENSION, 18" (2 TOOTH)

I0007583

REAR JACK ASSEMBLY



03248

**5055 44' - 62' FIELD CULTIVATOR ATTACHMENTS
SPIKE & REEL PARTS SECTION**

15

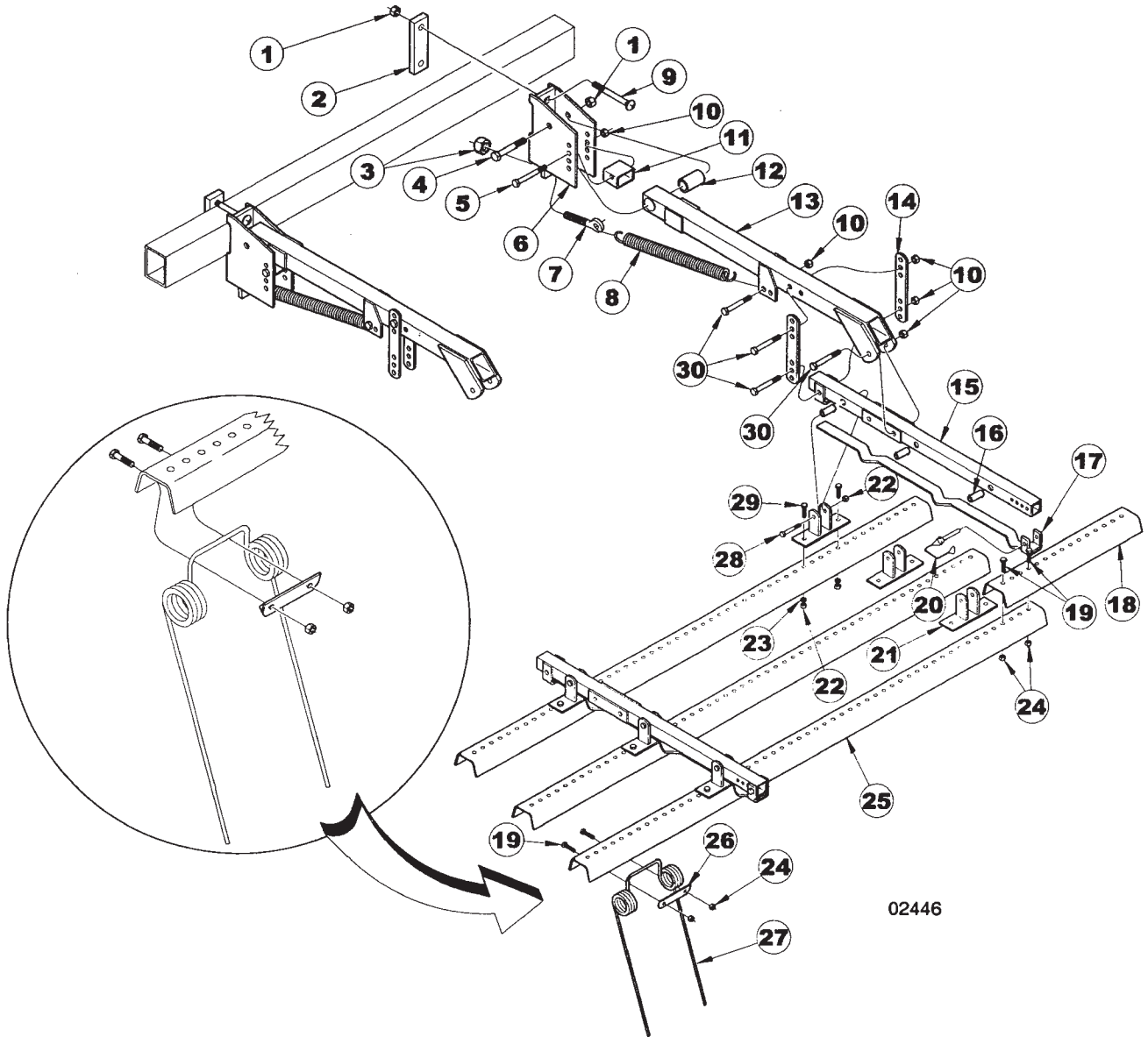
REAR JACK ASSEMBLY

ITEM	NUMBER	QTY	DESCRIPTION
1	SN9777		LONG TONGUE JACK, SQ W/TUBE MOUNT
2	SN3371		HEX BOLT, 1/2"-13 X 4", GR 5, Z/P
3	SN2096		LOCK NUT, 1/2"-13 HEX NYLON INSERT
4	SN3355		JACK BRACKET
5	SN3354		JACK TUBE
6	SN2094		PIN, 3/4" X 4 1/2" (4"), Z/P
7	SN2867		PIN CLIP, 1/2"-5/8" SHAFT,.120" DIA, 2" L
8	SN3353		JACK ADAPTER PLATE
9	SN3306		U-BOLT, 5/8"-11 X 4 1/2" X 4 5/8" W, GR 5, Z/P
10	SN669-1		LOCK NUT, 5/8" HEX NYLON INSERT, GR 5, Z/P
	SN3352		REAR JACK MOUNT ASSEMBLY, LESS U-BOLTS & JACK (ITEMS 2-8)

I0003248

5055 44' - 62' FIELD CULTIVATOR ATTACHMENTS
3-ROW COIL TINE PARTS SECTION

DOUBLE ARM COIL TINE HARROW ASSEMBLY



02446

5055 44' - 62' FIELD CULTIVATOR ATTACHMENTS

17

3-ROW COIL TINE PARTS SECTION

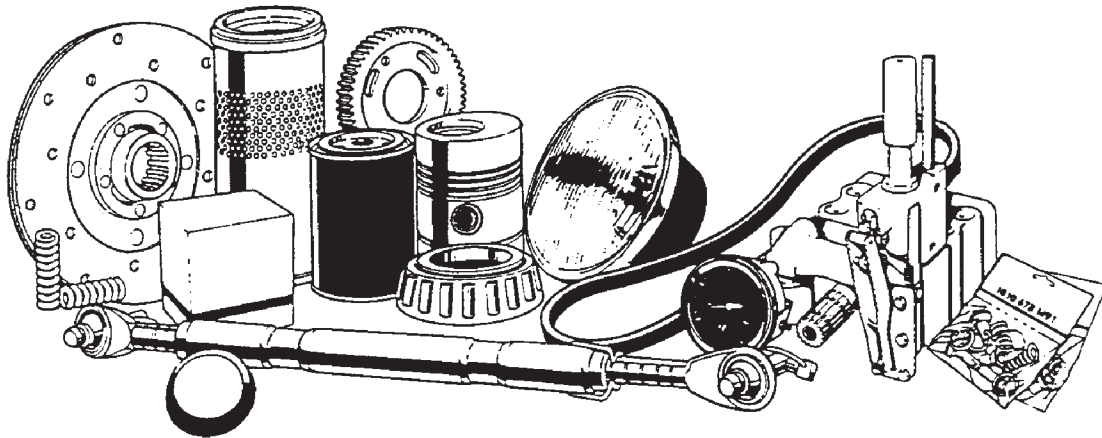
DOUBLE ARM COIL TINE HARROW ASSEMBLY

ITEM	NUMBER	QTY	DESCRIPTION
1	SN669-1		LOCK NUT, 5/8" HEX NYLON
2	SN3647		CLAMP PLATE, 2 HOLE
3	SNHEN3410		LOCK NUT, 3/4" HEX NYLON INSERT, Y/D
4	SN3065		HEX BOLT, 5/8"-11 X 4", GR 5, Y/D
5	SN3371		HEX BOLT, 1/2"-13 X 4", GR 5, Y/D
6	SN5719		HARROW MOUNT, 4" FRAME, 2 1/2" W
7	SN5731		EYE BOLT, 3/4"-10 X 4 1/2" Y/D
8	SN5732		SPRING, 1.40" OD X.82" ID X 16 1/4" L
9	SN3569		CARRIAGE BOLT, 5/8"-11 X
10	SN2096		LOCK NUT, 1/2"-13 HEX NYLON INSERT
11	SN3629		ARM STOP
12	SN3635		PIVOT BUSHING 2 1/2" L
13	SN5890		TINE CARRIER ARM, DOUBLE, LONG
14	SN5727		ANGLE LINK
15	SN7908		HARROW SUBFRAME, 3 ROW (15" ROW SP)
16	SN5730		PIVOT BUSHING
17	SN7907		TINE ANGLE ADJUSTMENT STOP (15" ROW SP)
18	SN3859		HARROW CONNECTOR
19	SN175		HEX BOLT, 3/8"-16 X 1 1/2", GR 5, Y/D
20	SN3557		QUICK PIN, 3/8" DIA X 2 1/2"
21	SN5723		TINE BAR PIVOT
22	SN3566		LOCK NUT, 3/8"-16 HEX CENTER, GR 2, Y/D
23	SN317		FLAT WASHER, 3/8", Y/D
24	SN3567		LOCK NUT, 3/8"-16 HEX NYLON INSERT, GR 2, Y/D
25	SN3917		TINE CHANNEL, 37 1/2"
	SN3609		TINE CHANNEL, 52 1/2"
	SN3610		TINE CHANNEL, 67 1/2"
	SN3611		TINE CHANNEL, 82 1/2"
	SN3612		TINE CHANNEL, 97 1/2"
26	SN3621		TOOTH CLIP, Y/D
27	SN5715		HARROW TOOTH, 3/8" DIA X 16" L
28	SN4738		HEX BOLT, 3/8"-16 X 2 3/4", GR 5, Y/D
29	SN178		HEX BOLT, 3/8"-16 X 1", GR 5, Y/D
30	SN1507		HEX BOLT, 1/2"-13 X 3 1/2", GR 5, Y/D

I0002446

RECOMMENDED DEALER STOCK

RECOMMENDED DEALER'S STOCK



5055 44' - 62' FIELD CULTIVATOR ATTACHMENTS
RECOMMENDED DEALER LIST

19

RECOMMENDED DEALER STOCK

ITEM	NUMBER	QTY	DESCRIPTION
-	SN10162	2	BUSHING,.750" OD X.500" ID, 11/16"L
-	SN5731	2	EYE BOLT, 3/4"-10 X 4 1/2" Y/D
-	SN3215	2	FLANGETTE BEARING, 1 3/4" BORE
-	SN5715	10	HARROW TOOTH, 3/8" DIA X 16" L
-	SN3976	2	LINK, OFFSET
-	SN3635	2	PIVOT BUSHING 2 1/2" L
-	SN3628	2	REEL CARRIER ARM PIVOT BUSHING
-	SN3895	10	SPIKE TOOTH, 3/4" X 11"
-	SN5732	2	SPRING, 1.40" OD X.82" ID X 16 1/4" L
-	SN3621	10	TOOTH CLIP, Y/D
-	SN10161	10	TOOTH, SPIKE 3/4" ROUND
-	SN3894	10	TRI-BEND BOLT, 3/8"-16 X
-	SN3619	2	U-BOLT, 1/2"-13 X 3 5/8" X 3" W, GR 5,
-	SN3306	2	U-BOLT, 5/8"-11 X 4 1/2" X 4 5/8"
-	SN7013	2	U-CLIP

NOTE: THIS PARTS STOCK LIST
INDICATES THOSE ITEMS RECOMMENDED
TO SERVICE ONE UNIT.

RDL

CULTIVATORS/PACKERS

PARTS CATALOG

SUNFLOWER[®]
5055 FIELD CULTIVATOR

RECOMMENDED DEALER LIST

RECOMMENDED DEALER STOCK 67

SERVICE PARTS

ADJUSTABLE TONGUE ASSEMBLY 11
 CENTER FRAME 7
 CENTER LIFT ARM ASSEMBLY 25
 CENTER LIFT ASSEMBLY 17
 DECAL PLACEMENT 63
 INNER WING FRAME 13
 LEVELER ASSEMBLY 29
 LIFT HYDRAULICS (CENTER & RIGHT WING) 39
 LIFT HYDRAULICS (LEFT WING) 41
 LIGHT KIT ASSEMBLY 57
 OPTIONAL REAR TOW HITCH ASSEMBLY W/HITCH SLIDE & BALL JOINT 59
 OPTIONAL REAR TOW HITCH HYDRAULICS 61
 OUTER WING FRAME 15
 REAR TONGUE ASSEMBLY 9
 S-TINE SHANK ASSEMBLY (2-PIECE) 37
 SAFETY SIGN PLACEMENT 65
 SPRING SHANK ASSEMBLY 35
 STROKE CONTROL ASSEMBLY 31
 SWIVEL TYPE GAUGE WHEEL 33
 WING LIFT ARM (INNER & OUTER WING) 27
 WING LIFT ASSEMBLY 19
 3 1/2" X 10" REPHASING CYLINDER (10816R) 47
 3 3/4" X 10" REPHASING CYLINDER (10815R) 49
 4" X 10" REPHASING CYLINDER (10814R) 51
 4" X 30" HYDRAULIC CYLINDER (10812R) 53
 4" X 36" HYDRAULIC CYLINDER (10811R) 55
 44', 48', & 50' FOLD HYDRAULICS 43
 54', 58', & 62' FOLD HYDRAULICS 45
 6 BOLT HUB & WHEEL ASSEMBLY 21
 8 BOLT HUB & WHEEL ASSEMBLY 23

5055 FIELD CULTIVATOR

3
INDEX

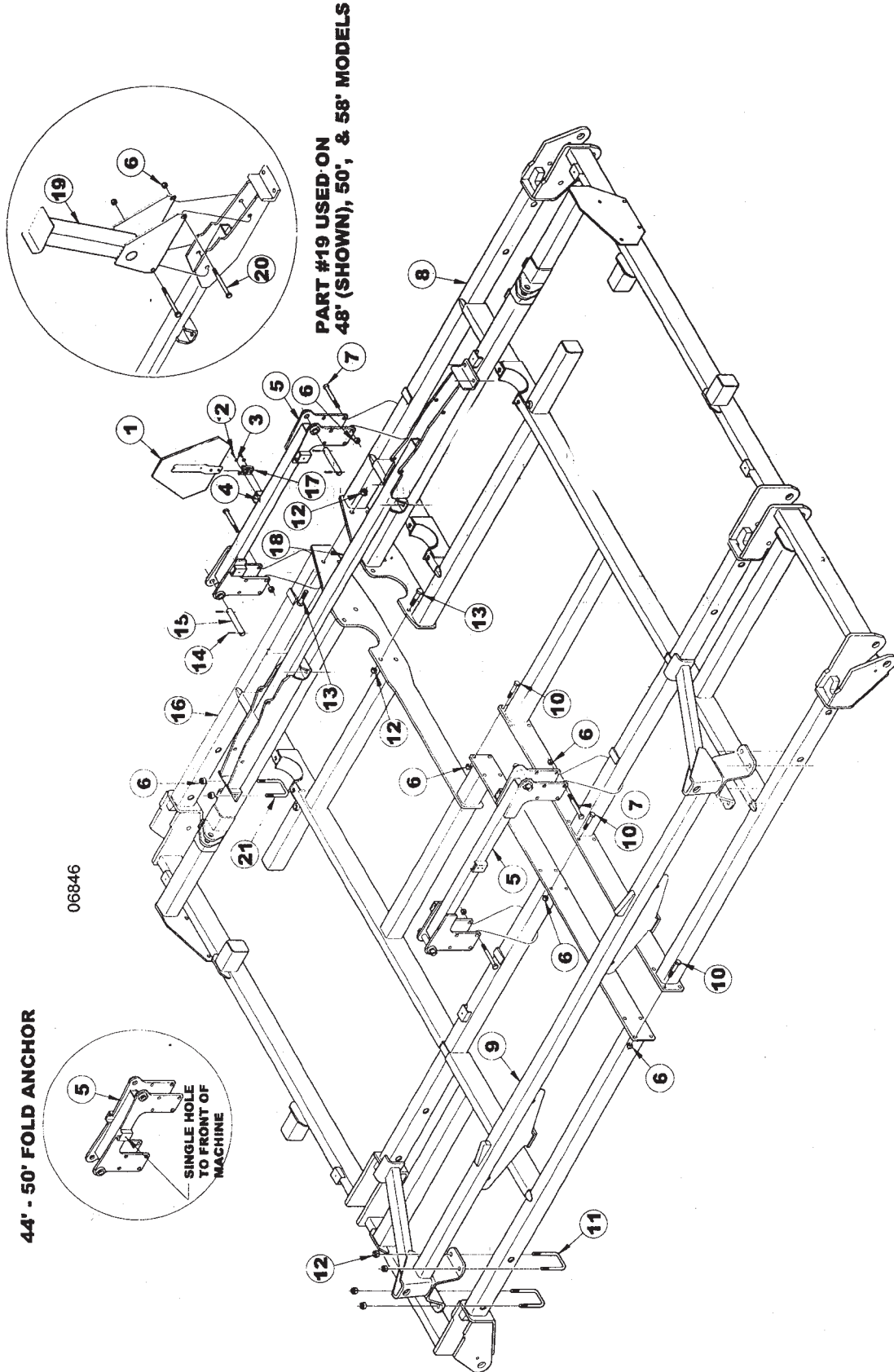
Part No.	Page	Grid	Part No.	Page	Grid	Part No.	Page	Grid	Part No.	Page	Grid
SNBT10116	59	1-B 11	SN10703	7	1-B 6	SN12254R	59	1-B 11	SN2073	45	1-B 10
SNBT10116	67	1-B 12	SN10703	59	1-B 11	SN12256	35	1-B 9	SN2079	27	1-B 8
SNDR10524	11	1-B 7	SN10703	67	1-B 12	SN12257	37	1-B 9	SN2079	29	1-B 8
SNFK150013	13	1-B 7	SN10734	7	1-B 6	SN12257	67	1-B 12	SN2085	25	1-B 8
SNFK150013	27	1-B 8	SN10735	7	1-B 6	SN12268	17	1-B 7	SN2089	9	1-B 6
SNFK150052	11	1-B 7	SN10736R	9	1-B 6	SN12375	37	1-B 9	SN2089	33	1-B 9
SNFK150052	29	1-B 8	SN10737R	7	1-B 6	SN1243	31	1-B 9	SN2090	7	1-B 6
SNFK150144	11	1-B 7	SN10738	61	1-B 12	SN12602R	59	1-B 11	SN2096	13	1-B 7
SNFK150157	11	1-B 7	SN10739	61	1-B 12	SN12603	59	1-B 11	SN2097	7	1-B 6
SNFK150173	13	1-B 7	SN10740	61	1-B 12	SN1282	33	1-B 9	SN2098-1	33	1-B 9
SNFK310062	23	1-B 8	SN10741	61	1-B 12	SN1283	33	1-B 9	SN2098-5	17	1-B 7
SNFK310062	67	1-B 12	SN10742	61	1-B 12	SN140	23	1-B 8	SN2098-6	21	1-B 8
SNFK310064	23	1-B 8	SN10750	29	1-B 8	SN140	31	1-B 9	SN2390	33	1-B 9
SNFK310064	67	1-B 12	SN10795R	57	1-B 11	SN155	25	1-B 8	SN2391	33	1-B 9
SNFK340162	23	1-B 8	SN10798R	13	1-B 7	SN155	27	1-B 8	SN2392	33	1-B 9
SNFK340162	67	1-B 12	SN10799R	13	1-B 7	SN155	33	1-B 9	SN2425	39	1-B 9
SNFK340163	23	1-B 8	SN108	33	1-B 9	SN156	35	1-B 9	SN2425	43	1-B 10
SNFK340165	23	1-B 8	SN10800R	15	1-B 7	SN1602	33	1-B 9	SN2425	45	1-B 10
SNFK340165	67	1-B 12	SN10801R	15	1-B 7	SN1602	67	1-B 12	SN2425	61	1-B 12
SNFK350402	11	1-B 7	SN10805R	17	1-B 7	SN1603	33	1-B 9	SN2429	39	1-B 9
SNFK800384	23	1-B 8	SN10811	43	1-B 10	SN1603	67	1-B 12	SN2429	43	1-B 10
SNHEN3410	7	1-B 6	SN10811	45	1-B 10	SN1604	33	1-B 9	SN2429	45	1-B 10
SNHEN3410	9	1-B 6	SN10812	43	1-B 10	SN1605	21	1-B 8	SN245	17	1-B 7
SNHEN3410	17	1-B 7	SN10812	45	1-B 10	SN1605	23	1-B 8	SN245	19	1-B 7
SN10007	57	1-B 11	SN10814	39	1-B 9	SN1605	33	1-B 9	SN2487	39	1-B 9
SN10007	67	1-B 12	SN10814	41	1-B 10	SN1605	67	1-B 12	SN2487	41	1-B 10
SN10012	57	1-B 11	SN10815	39	1-B 9	SN1606	21	1-B 8	SN2566	7	1-B 6
SN10034	33	1-B 9	SN10815	41	1-B 10	SN1606	23	1-B 8	SN2566	59	1-B 11
SN10394	57	1-B 11	SN10816	39	1-B 9	SN1606	33	1-B 9	SN2568	7	1-B 6
SN10394	67	1-B 12	SN10816	41	1-B 10	SN1606	67	1-B 12	SN2568	57	1-B 11
SN1040	59	1-B 11	SN10820	35	1-B 9	SN1609	11	1-B 7	SN2568	59	1-B 11
SN10460	57	1-B 11	SN10821R	13	1-B 7	SN1609	23	1-B 8	SN2569	23	1-B 8
SN10460	67	1-B 12	SN10822R	13	1-B 7	SN1609	33	1-B 9	SN2585	21	1-B 8
SN10461	57	1-B 11	SN10823R	15	1-B 7	SN1609	59	1-B 11	SN2585	33	1-B 9
SN10461	67	1-B 12	SN10824R	15	1-B 7	SN1610	21	1-B 8	SN2587	57	1-B 11
SN10486	57	1-B 11	SN10825	15	1-B 7	SN1610	23	1-B 8	SN2756	33	1-B 9
SN10486	67	1-B 12	SN10826	15	1-B 7	SN1610	33	1-B 9	SN2799	33	1-B 9
SN105	59	1-B 11	SN10827R	13	1-B 7	SN1610	67	1-B 12	SN2799	67	1-B 12
SN10541	25	1-B 8	SN10828R	13	1-B 7	SN1611	33	1-B 9	SN2801	33	1-B 9
SN10573	7	1-B 6	SN10829R	15	1-B 7	SN1611	67	1-B 12	SN2991	17	1-B 7
SN10579	35	1-B 9	SN10830R	15	1-B 7	SN1611-1	33	1-B 9	SN2991	19	1-B 7
SN10582	7	1-B 6	SN10831R	15	1-B 7	SN1611-1	67	1-B 12	SN2992	17	1-B 7
SN10588	11	1-B 7	SN10832R	15	1-B 7	SN1672	59	1-B 11	SN2992	19	1-B 7
SN10589R	9	1-B 6	SN10833R	7	1-B 6	SN1676	17	1-B 7	SN302	21	1-B 8
SN10595	11	1-B 7	SN10834R	7	1-B 6	SN1723	15	1-B 7	SN302	23	1-B 8
SN10597	29	1-B 8	SN10835R	7	1-B 6	SN175	39	1-B 9	SN302	33	1-B 9
SN10599	19	1-B 7	SN10842	7	1-B 6	SN175	41	1-B 10	SN302	35	1-B 9
SN106	59	1-B 11	SN10843R	27	1-B 8	SN176	39	1-B 9	SN302	37	1-B 9
SN10600R	17	1-B 7	SN10844	27	1-B 8	SN176	41	1-B 10	SN303	21	1-B 8
SN10601R	17	1-B 7	SN10845R	13	1-B 7	SN176	43	1-B 10	SN303	23	1-B 8
SN10603	35	1-B 9	SN10846R	13	1-B 7	SN176	45	1-B 10	SN303	33	1-B 9
SN10604	35	1-B 9	SN10847R	13	1-B 7	SN176	57	1-B 11	SN303	35	1-B 9
SN10605	29	1-B 8	SN10849R	7	1-B 6	SN176	61	1-B 12	SN303	37	1-B 9
SN10609R	33	1-B 9	SN10850R	15	1-B 7	SN177	39	1-B 9	SN3041	35	1-B 9
SN10615	17	1-B 7	SN10851R	15	1-B 7	SN177	41	1-B 10	SN3042	35	1-B 9
SN10615	19	1-B 7	SN10855	15	1-B 7	SN177	57	1-B 11	SN3043	35	1-B 9
SN10616R	19	1-B 7	SN10855	67	1-B 12	SN178	57	1-B 11	SN3044B	35	1-B 9
SN10629	27	1-B 8	SN109	15	1-B 7	SN1791	9	1-B 6	SN3044B	67	1-B 12
SN10631	31	1-B 9	SN110	33	1-B 9	SN1799	33	1-B 9	SN3046	35	1-B 9
SN10633R	31	1-B 9	SN12098	25	1-B 8	SN1817	31	1-B 9	SN3046	37	1-B 9
SN10635	19	1-B 7	SN12099R	39	1-B 9	SN1849	29	1-B 8	SN3046	67	1-B 12
SN10636	7	1-B 6	SN12099R	41	1-B 10	SN1935	21	1-B 8	SN305	35	1-B 9
SN10636	67	1-B 12	SN12125R	15	1-B 7	SN1935	23	1-B 8	SN305	37	1-B 9
SN10639R	13	1-B 7	SN12126	15	1-B 7	SN1935	67	1-B 12	SN3050	35	1-B 9
SN10641	11	1-B 7	SN12127R	7	1-B 6	SN1936	21	1-B 8	SN3050	37	1-B 9
SN10650R	57	1-B 11	SN12128R	43	1-B 10	SN1936	67	1-B 12	SN3058	21	1-B 8
SN10651R	57	1-B 11	SN12136	25	1-B 8	SN1937	21	1-B 8	SN3061	17	1-B 7
SN10652R	57	1-B 11	SN12137R	17	1-B 7	SN194	13	1-B 7	SN3061	19	1-B 7
SN10664	27	1-B 8	SN12138R	25	1-B 8	SN194	61	1-B 12	SN3061	67	1-B 12
SN10674R	17	1-B 7	SN12184R	15	1-B 7	SN1944	21	1-B 8	SN3062	17	1-B 7
SN10675R	17	1-B 7	SN12185R	13	1-B 7	SN1978	33	1-B 9	SN3062	19	1-B 7
SN10676R	19	1-B 7	SN12186	31	1-B 9	SN198	59	1-B 11	SN3062	67	1-B 12
SN10679	13	1-B 7	SN1220	7	1-B 6	SN198	67	1-B 12	SN3063	17	1-B 7
SN10682R	7	1-B 6	SN12231	35	1-B 9	SN2036	33	1-B 9	SN3063	19	1-B 7
SN10683R	17	1-B 7	SN12231	67	1-B 12	SN2073	43	1-B 10	SN3063	67	1-B 12

INDEX

Part No.	Page	Grid	Part No.	Page	Grid	Part No.	Page	Grid	Part No.	Page	Grid
SN3065	17	1-B 7	SN3938	25	1-B 8	SN4476	43	1-B 10	SN6930	31	1-B 9
SN3065	35	1-B 9	SN3938	27	1-B 8	SN4476	45	1-B 10	SN6934	43	1-B 10
SN3066	17	1-B 7	SN3938	43	1-B 10	SN4480002	61	1-B 12	SN7001	7	1-B 6
SN3066	19	1-B 7	SN3938	45	1-B 10	SN4482	43	1-B 10	SN7001	59	1-B 11
SN3066	21	1-B 8	SN3949	35	1-B 9	SN4482	45	1-B 10	SN7001	67	1-B 12
SN3066	23	1-B 8	SN3984	17	1-B 7	SN4732	31	1-B 9	SN71L-2901	13	1-B 7
SN3117	21	1-B 8	SN3984	39	1-B 9	SN4739	59	1-B 11	SN7453	37	1-B 9
SN3117	23	1-B 8	SN3984	41	1-B 10	SN474	39	1-B 9	SN7453	67	1-B 12
SN3117	67	1-B 12	SN3984	43	1-B 10	SN474	41	1-B 10	SN7528B	37	1-B 9
SN3118	21	1-B 8	SN3984	45	1-B 10	SN474	43	1-B 10	SN7530	37	1-B 9
SN3118	23	1-B 8	SN3984	61	1-B 12	SN474	45	1-B 10	SN7569	17	1-B 7
SN3118	67	1-B 12	SN4014002	43	1-B 10	SN4740	59	1-B 11	SN7744	13	1-B 7
SN3164	7	1-B 6	SN4024002	45	1-B 10	SN4781	11	1-B 7	SN7785R	17	1-B 7
SN3164	13	1-B 7	SN4028002	45	1-B 10	SN486	13	1-B 7	SN779	31	1-B 9
SN3164	15	1-B 7	SN4048002	43	1-B 10	SN486	31	1-B 9	SN7849	33	1-B 9
SN3164	39	1-B 9	SN4054002	43	1-B 10	SN4944	31	1-B 9	SN7851	33	1-B 9
SN3164	41	1-B 10	SN4060002	45	1-B 10	SN4989	11	1-B 7	SN7853	33	1-B 9
SN3164	43	1-B 10	SN4062002	41	1-B 10	SN505	43	1-B 10	SN7854	33	1-B 9
SN3164	45	1-B 10	SN4070002	43	1-B 10	SN506	7	1-B 6	SN7856	33	1-B 9
SN3253	39	1-B 9	SN4087002	45	1-B 10	SN506	43	1-B 10	SN7858	11	1-B 7
SN3253	43	1-B 10	SN4102002	43	1-B 10	SN506	57	1-B 11	SN7910	43	1-B 10
SN3253	45	1-B 10	SN4106002	45	1-B 10	SN506	59	1-B 11	SN7910	45	1-B 10
SN3253	61	1-B 12	SN4126002	43	1-B 10	SN5137	31	1-B 9	SN8273-1	53	1-B 11
SN329	37	1-B 9	SN4126002	45	1-B 10	SN5251	13	1-B 7	SN8273-1	55	1-B 11
SN3299	21	1-B 8	SN4130002	45	1-B 10	SN5251	15	1-B 7	SN8602-1	53	1-B 11
SN3300	21	1-B 8	SN4150002	45	1-B 10	SN5252	7	1-B 6	SN8610-1	47	1-B 10
SN3300	67	1-B 12	SN4153002	43	1-B 10	SN5252	43	1-B 10	SN8610-1	49	1-B 10
SN3301	21	1-B 8	SN4177002	43	1-B 10	SN5252	45	1-B 10	SN8610-1	51	1-B 11
SN3301	23	1-B 8	SN4181002	39	1-B 9	SN5302	39	1-B 9	SN8612-1	53	1-B 11
SN3301	67	1-B 12	SN4181002	41	1-B 10	SN5302	41	1-B 10	SN8612-1	55	1-B 11
SN3302	21	1-B 8	SN4191002	39	1-B 9	SN5302	43	1-B 10	SN8612-1	67	1-B 12
SN3302	23	1-B 8	SN4191002	41	1-B 10	SN5302	45	1-B 10	SN8616-1	53	1-B 11
SN3302	33	1-B 9	SN4205002	39	1-B 9	SN5302	61	1-B 12	SN8616-1	55	1-B 11
SN3302	67	1-B 12	SN4205002	41	1-B 10	SN5339	39	1-B 9	SN8631-1	47	1-B 10
SN3303	21	1-B 8	SN4215002	39	1-B 9	SN5339	41	1-B 10	SN8631-1	49	1-B 10
SN3303	23	1-B 8	SN4215002	41	1-B 10	SN5339	43	1-B 10	SN8631-1	51	1-B 11
SN3303	33	1-B 9	SN4234002	43	1-B 10	SN5339	45	1-B 10	SN8631-1	53	1-B 11
SN3303	67	1-B 12	SN4239002	39	1-B 9	SN5552	23	1-B 8	SN8631-1	55	1-B 11
SN3309	33	1-B 9	SN4239002	41	1-B 10	SN5555	23	1-B 8	SN8636-1	31	1-B 9
SN3363	59	1-B 11	SN4240002	45	1-B 10	SN5578	23	1-B 8	SN8653-1	51	1-B 11
SN3364	59	1-B 11	SN4290002	39	1-B 9	SN5579	23	1-B 8	SN8654-1	49	1-B 10
SN3365	59	1-B 11	SN4290002	41	1-B 10	SN5603	23	1-B 8	SN8654-1	51	1-B 11
SN3365	67	1-B 12	SN4303002	39	1-B 9	SN5612	13	1-B 7	SN8655-1	49	1-B 10
SN3366	59	1-B 11	SN4314002	39	1-B 9	SN5612	67	1-B 12	SN8656-10	49	1-B 10
SN3366	67	1-B 12	SN4314002	41	1-B 10	SN5621	23	1-B 8	SN8657-10	47	1-B 10
SN3367	59	1-B 11	SN4327002	39	1-B 9	SN5711	35	1-B 9	SN8658-1	47	1-B 10
SN3567	17	1-B 7	SN4350002	39	1-B 9	SN5810	35	1-B 9	SN8659-1	47	1-B 10
SN3567	39	1-B 9	SN4350002	41	1-B 10	SN5810	59	1-B 11	SN8660-1	47	1-B 10
SN3567	41	1-B 10	SN4367002	39	1-B 9	SN5815	43	1-B 10	SN8670-10	51	1-B 11
SN3577	21	1-B 8	SN4367002	41	1-B 10	SN5831	33	1-B 9	SN8670-10	53	1-B 11
SN3577	23	1-B 8	SN4374002	39	1-B 9	SN5941	13	1-B 7	SN8670-10	55	1-B 11
SN3580	21	1-B 8	SN4374002	41	1-B 10	SN5941	15	1-B 7	SN8671-1	47	1-B 10
SN3619	31	1-B 9	SN4398002	39	1-B 9	SN5941	67	1-B 12	SN8671-1	49	1-B 10
SN3619	67	1-B 12	SN4398002	41	1-B 10	SN6298	33	1-B 9	SN8671-1	51	1-B 11
SN3683	23	1-B 8	SN4403002	39	1-B 9	SN6378	31	1-B 9	SN8671-1	53	1-B 11
SN3683	67	1-B 12	SN4403002	41	1-B 10	SN6378	43	1-B 10	SN8671-1	55	1-B 11
SN3684	23	1-B 8	SN4454	39	1-B 9	SN6380	45	1-B 10	SN8682-1	53	1-B 11
SN3684	67	1-B 12	SN4454	41	1-B 10	SN6529	43	1-B 10	SN8682-1	55	1-B 11
SN3685	23	1-B 8	SN4454	43	1-B 10	SN6529	45	1-B 10	SN8683-1	47	1-B 10
SN3686	23	1-B 8	SN4454	45	1-B 10	SN6575	11	1-B 7	SN8683-1	49	1-B 10
SN3686	67	1-B 12	SN4455	43	1-B 10	SN6642	35	1-B 9	SN8683-1	51	1-B 11
SN3687	23	1-B 8	SN4455	45	1-B 10	SN669-1	7	1-B 6	SN8683-1	53	1-B 11
SN3688Y	23	1-B 8	SN4458	47	1-B 10	SN669-1	9	1-B 6	SN8683-1	55	1-B 11
SN3735	59	1-B 11	SN4458	49	1-B 10	SN669-1	13	1-B 7	SN8684-1	55	1-B 11
SN3750	9	1-B 6	SN4458	51	1-B 11	SN669-1	15	1-B 7	SN8736-10	49	1-B 10
SN3757	35	1-B 9	SN4458	53	1-B 11	SN669-1	17	1-B 7	SN8739-10	51	1-B 11
SN3765	9	1-B 6	SN4458	55	1-B 11	SN669-1	19	1-B 7	SN8775-1	47	1-B 10
SN3790	35	1-B 9	SN4463	43	1-B 10	SN669-1	33	1-B 9	SN8775-1	67	1-B 12
SN3881	7	1-B 6	SN4463	45	1-B 10	SN669-1	35	1-B 9	SN8776-1	49	1-B 10
SN3881	43	1-B 10	SN4465	45	1-B 10	SN669-1	37	1-B 9	SN8776-1	67	1-B 12
SN3881	57	1-B 11	SN4473	43	1-B 10	SN669-1	59	1-B 11	SN8781-1	51	1-B 11
SN3881	59	1-B 11	SN4473	45	1-B 10	SN670	7	1-B 6	SN8781-1	67	1-B 12
SN3938	11	1-B 7	SN4474	43	1-B 10	SN670	15	1-B 7	SN8826-1	51	1-B 11
SN3938	13	1-B 7	SN4475	43	1-B 10	SN670	19	1-B 7	SN8828-1	49	1-B 10
SN3938	15	1-B 7	SN4475	45	1-B 10	SN6806	37	1-B 9	SN8837-1	53	1-B 11

5055 FIELD CULTIVATOR
SERVICE PARTS

CENTER FRAME



**5055 FIELD CULTIVATOR
SERVICE PARTS**

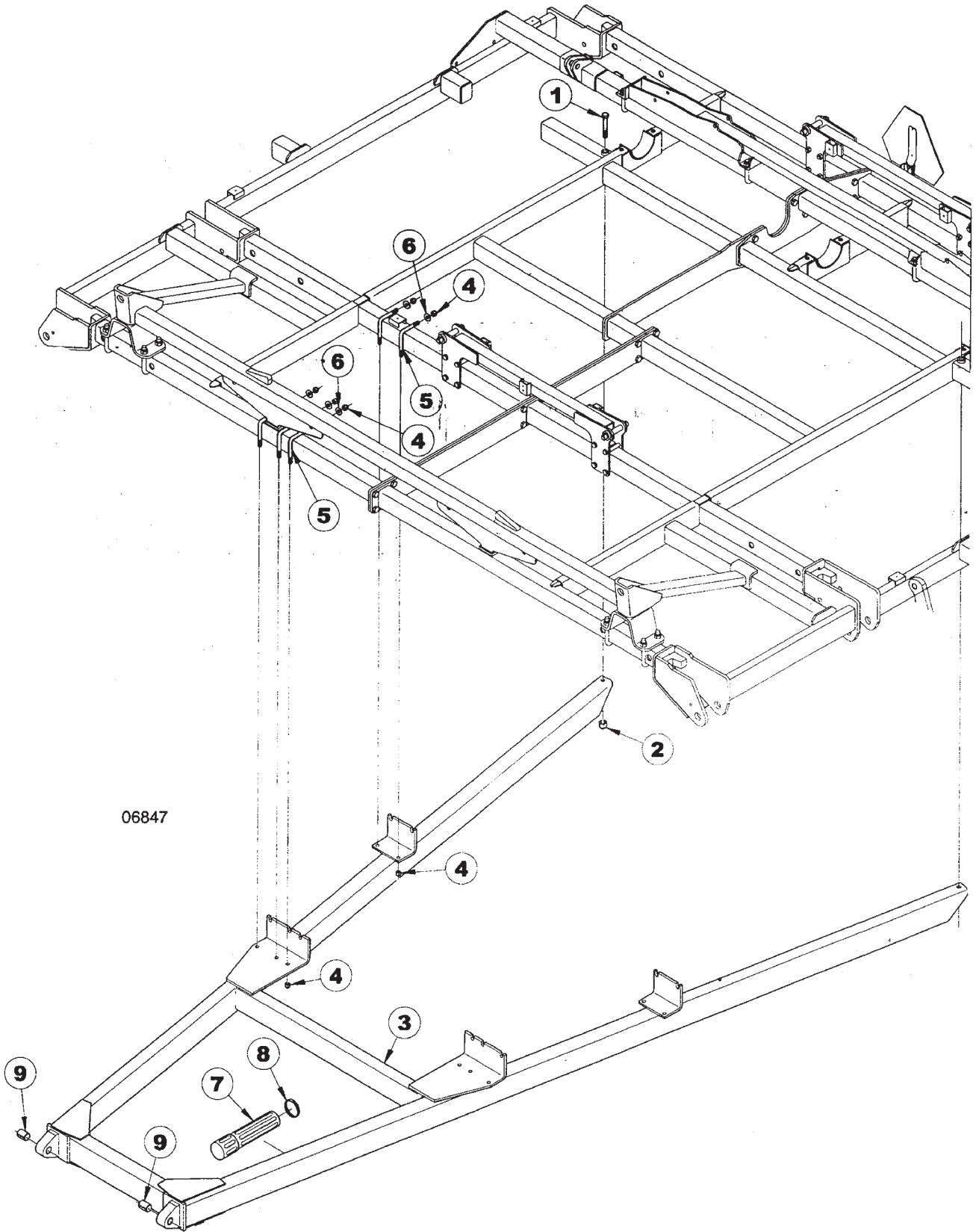
7

CENTER FRAME

ITEM	NUMBER	QTY	DESCRIPTION
1	SN7001		SMV EMBLEM
2	SN2568		HEX BOLT, 1/4"-20 X 3/4", GR 5 Y/D
3	SN506		FLAT WASHER, 1/4", Y/D
4	SN3881		LOCK NUT, 1/4"-20 HEX NYLON INSERT, GR 2, Y/D
5	SN10682R		ANCHOR, FOLD (54'-62') SHOWN
	SN10737R		ANCHOR, FOLD (44'-50')
6	SN669-1		LOCK NUT, 5/8" HEX NYLON
7	SN2090		HEX BOLT, 5/8"-11 X 5", GR 5 Y/D
8	SN10582		FRAME, CENTER LEFT (54'-62') SHOWN
	SN10735		FRAME, CENTER LEFT (44'-50')
9	SN10833R		TRUSS, 14' CENTER, FRONT (54'-62') SHOWN
	SN10835R		TRUSS, 12' CENTER, FRONT (44'-50')
10	SN670		HEX BOLT, 5/8"-11 X 2", GR 5, Y/D
11	SN10636		U-BOLT, 3/4"-10 X 5 7/8" X 3 13/16"W Y/D
12	SNHEN3410		LOCK NUT, 3/4" HEX NYLON INSERT, Y/D, Y/D
13	SN1220		HEX BOLT, 3/4"-10 X 2", GR 5 Y/D
14	SN3164		ROLL PIN, 5/16" X 2" SPIRAL MEDIUM DUTY, Y/D
15	SN5252		PIN, 1" X 6 9/16" (5 1/4") Y/D
16	SN10573		FRAME, CENTER RIGHT (54'-62') SHOWN
	SN10734		FRAME, CENTER RIGHT (44'-50')
17	SN2566		S.M.V. SOCKET
18	SN10842		TRUSS, 12' CENTER, REAR (44'-50')
	SN10834R		TRUSS, 14' CENTER, REAR (54'-62') SHOWN
19	SN12127R		STABILIZER, FOLD (48' & 50')
	SN10849R		STABILIZER, FOLD (58')
20	SN2097		HEX BOLT, 5/8"-11 X 5 1/2", GR 5, Y/D
21	SN10703		U-BOLT, 5/8"-11 X 4 3/4" X 4 3/16" W, GR 5, Y/D

I0006846

REARTONGUE ASSEMBLY



06847

**5055 FIELD CULTIVATOR
SERVICE PARTS**

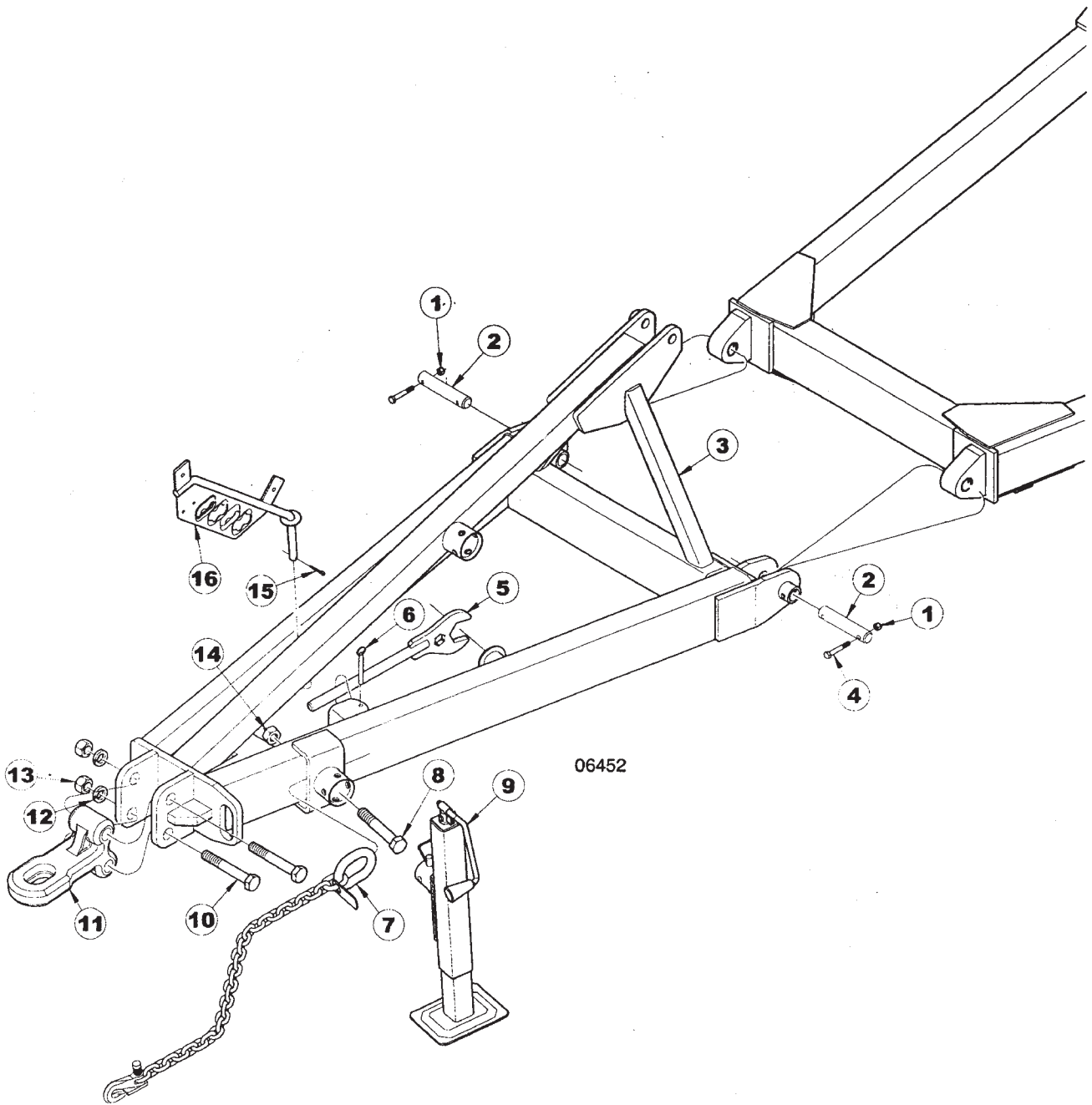
9

REARTONGUE ASSEMBLY

ITEM	NUMBER	QTY	DESCRIPTION
1	SN1791		HEX BOLT, 3/4"-10 X 6 1/2", GR 5, Y/D
2	SNHEN3410		LOCK NUT, 3/4" HEX NYLON INSERT, Y/D, Y/D
3	SN10736R		TONGUE, REAR (44'-50')
	SN10589R		TONGUE, REAR (54'-62')
4	SN669-1		LOCK NUT, 5/8" HEX NYLON
5	SN9017		L-BOLT, 5/8"-11 X 4 1/2" X 5 1/2", Y/D
6	SN2089		FLAT WASHER, 5/8", Y/D
7	SN3750		OPERATOR'S MANUAL TUBE
8	SN3765		HOSE CLAMP, 3 1/2"

I0006847

ADJUSTABLE TONGUE ASSEMBLY



5055 FIELD CULTIVATOR
SERVICE PARTS

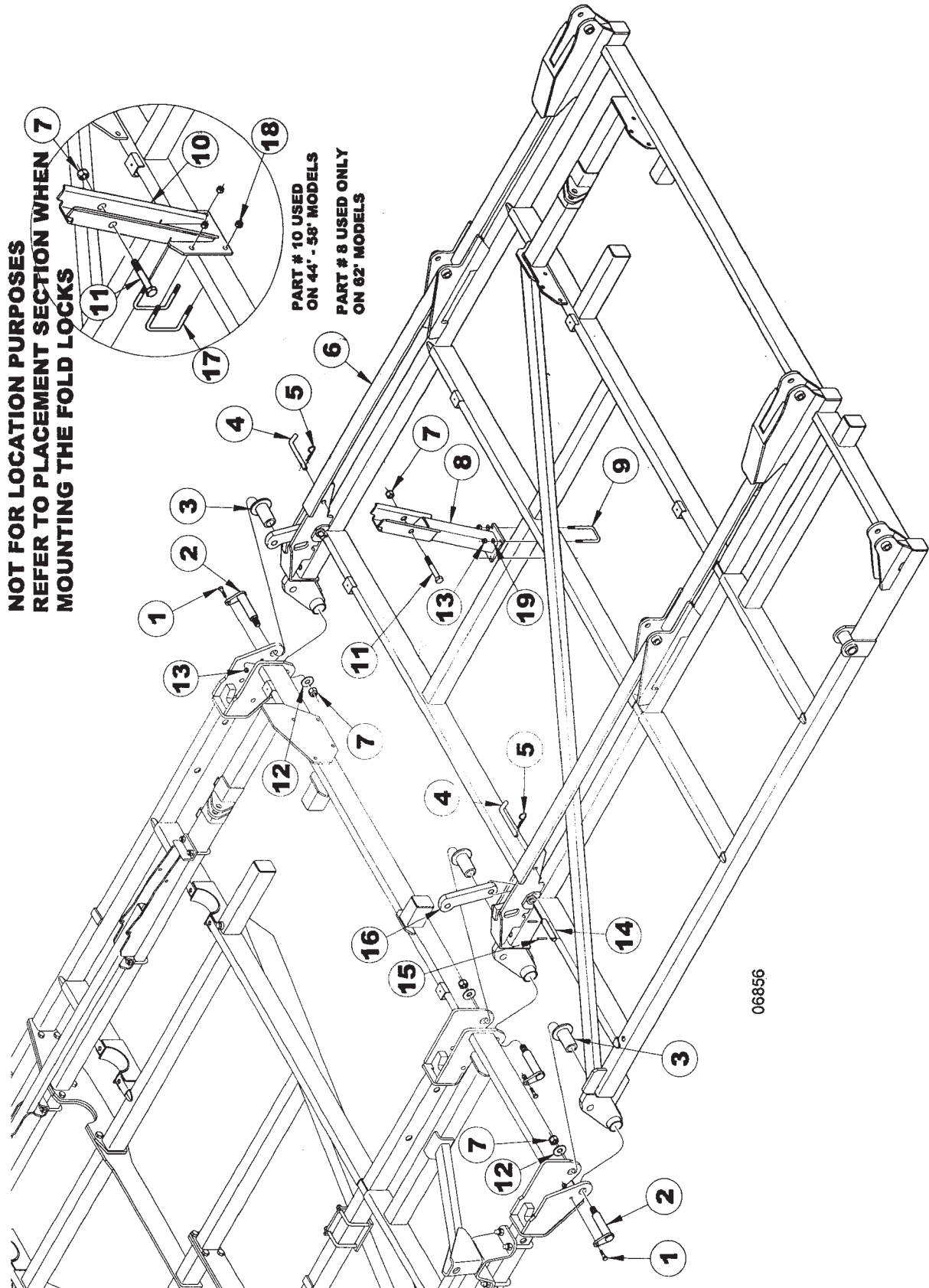
11

ADJUSTABLE TONGUE ASSEMBLY

ITEM	NUMBER	QTY	DESCRIPTION
1	SNDR10524		LOCK NUT, 7/16"-14 HEX NYLON INSERT, Y/D
2	SN4989		PIN, 1 1/4" X 6 3/8" (4 7/16") Y/D
3	SN10588		TONGUE, FRONT
4	SN10641		HEX BOLT, 7/16"-14 X 2 1/2" GR 5, Y/D
5	SN10595		WRENCH, COMBINATION, Y/D
6	SN6575		BALL LOCK PIN, 3/8" X 3 1/2" (3 1/8") Z/P
7	SN7858		CHAIN, 3/8" X 59" (20,200 LB) ASSEMBLY
8	SNFK150052		HEX BOLT, 1"-8 X 6" GR 5, Y/D
9	SN9777		LONG TONGUE JACK, SQ W/TUBE MOUNT
10	SNFK350402		HEX BOLT, 1 1/4"-7 X 7" GR 5 (SPECIAL)
11	SN4781		CAST SINGLE LIP HITCH, 2" HOLE
12	SNFK150157		LOCK WASHER, 1 1/4", Y/D
13	SNFK150144		HEX NUT, 1 1/4"-7, GR 2, Y/D
14	SN3938		LOCK NUT, 1"-8 HEX NYLON
15	SN1609		COTTER PIN, 3/16" X 1 1/2"
16	SN9985		ROD, HOSE HOLDER

I0006452

INNER WING FRAME



**5055 FIELD CULTIVATOR
SERVICE PARTS**

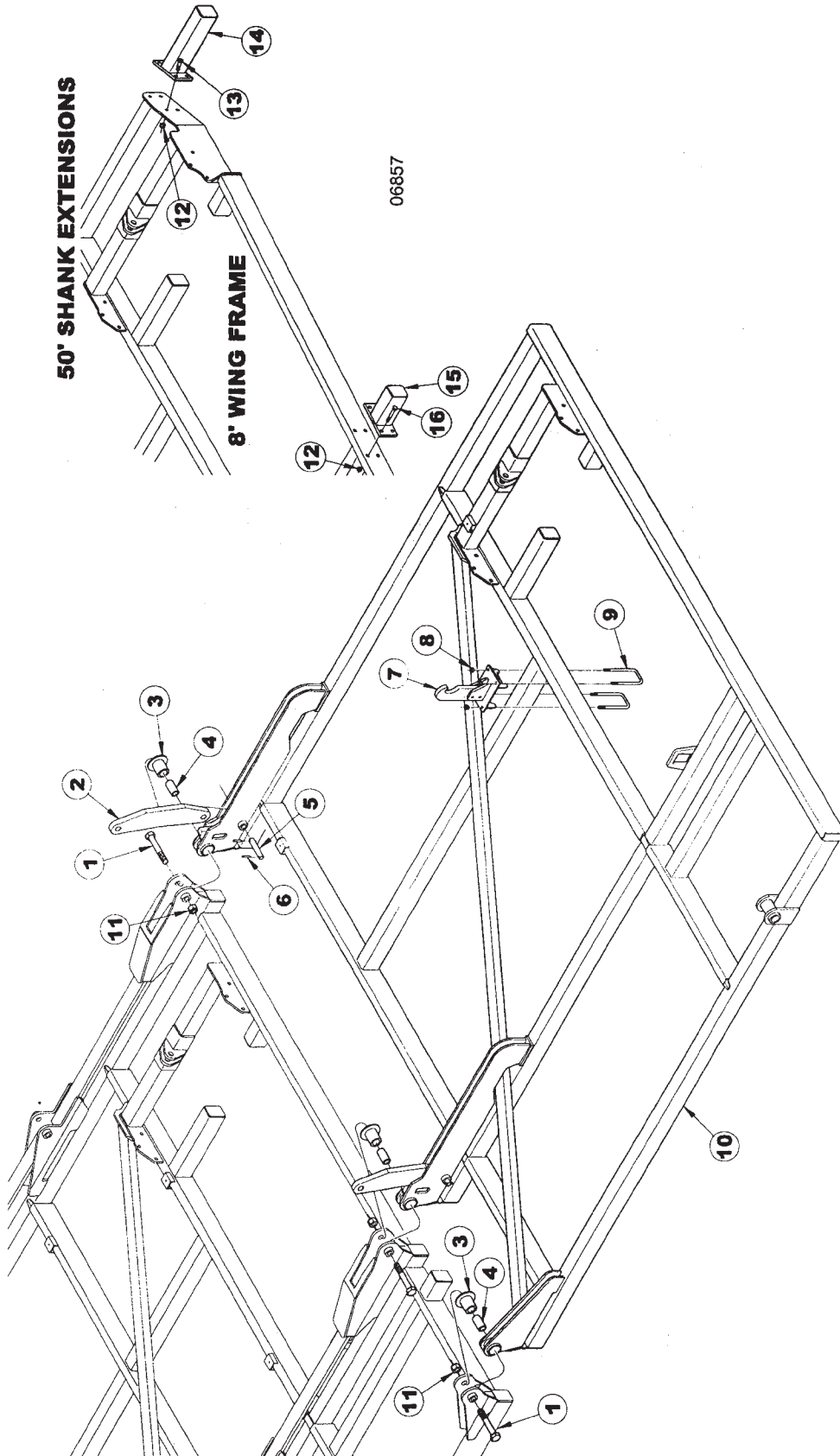
13

INNER WING FRAME

ITEM	NUMBER QTY	DESCRIPTION
1	SN194	HEX BOLT, 1/2"-13 X 1 1/2", GR 5, Y/D, USA
2	SN10679	HINGE BOLT, 1 1/2" SHAFT 1"-8 X 8" (5 11/16"), Y/D
3	SN9251	BUSHING, UHMW HINGE, 4 3/8" L
4	SN7744	PIN, 3/4" SPCL, Y/D
5	SN71L-2901	PIN CLIP, 3/4"-7/8" SHAFT, .148" DIA, 3 1/8" L
6	SN10821R	FRAME, 8' WING, RIGHT INNER (44')
	SN10822R	FRAME, 8' WING, LEFT INNER (44')
	SN10827R	FRAME, 10' WING, RIGHT INNER (48'-54')
	SN10828R	FRAME, 10' WING, LEFT INNER (48'-54')
	SN10798R	FRAME, 12' WING, RIGHT INNER (58'-62')
	SN10799R	FRAME, 12' WING, LEFT INNER (58'-62')
7	SN3938	LOCK NUT, 1"-8 HEX NYLON
8	SN10845R	LOCK, FOLD (62')
9	SN5941	U-BOLT, 1/2"-13 X 5 1/2" X 3 9/16" W, GR 5, Y/D
10	SN12185R	LOCK, FOLD (44')
	SN10847R	LOCK, FOLD (54')
	SN10846R	LOCK, FOLD (48', 50', & 58')
11	SNFK150013	HEX BOLT, 1"-8 X 5" GR 5, Y/D
12	SNFK150173	FLAT WASHER, 1" SAE, Y/D
13	SN2096	LOCK NUT, 1/2"-13 HEX NYLON INSERT
14	SN5251	PIN, 1" X 5 13/16" (4 1/2"), Y/D
15	SN3164	ROLL PIN, 5/16" X 2" SPIRAL MEDIUM DUTY, Y/D
16	SN10639R	LINK, FOLD
17	SN5612	U-BOLT, 5/8"-11 X 3 1/2" X 5 11/16" W, GR 5, Y/D
18	SN669-1	LOCK NUT, 5/8" HEX NYLON
19	SN486	FLAT WASHER, 1/2", Y/D

I0006856

OUTER WING FRAME



**5055 FIELD CULTIVATOR
SERVICE PARTS**

15

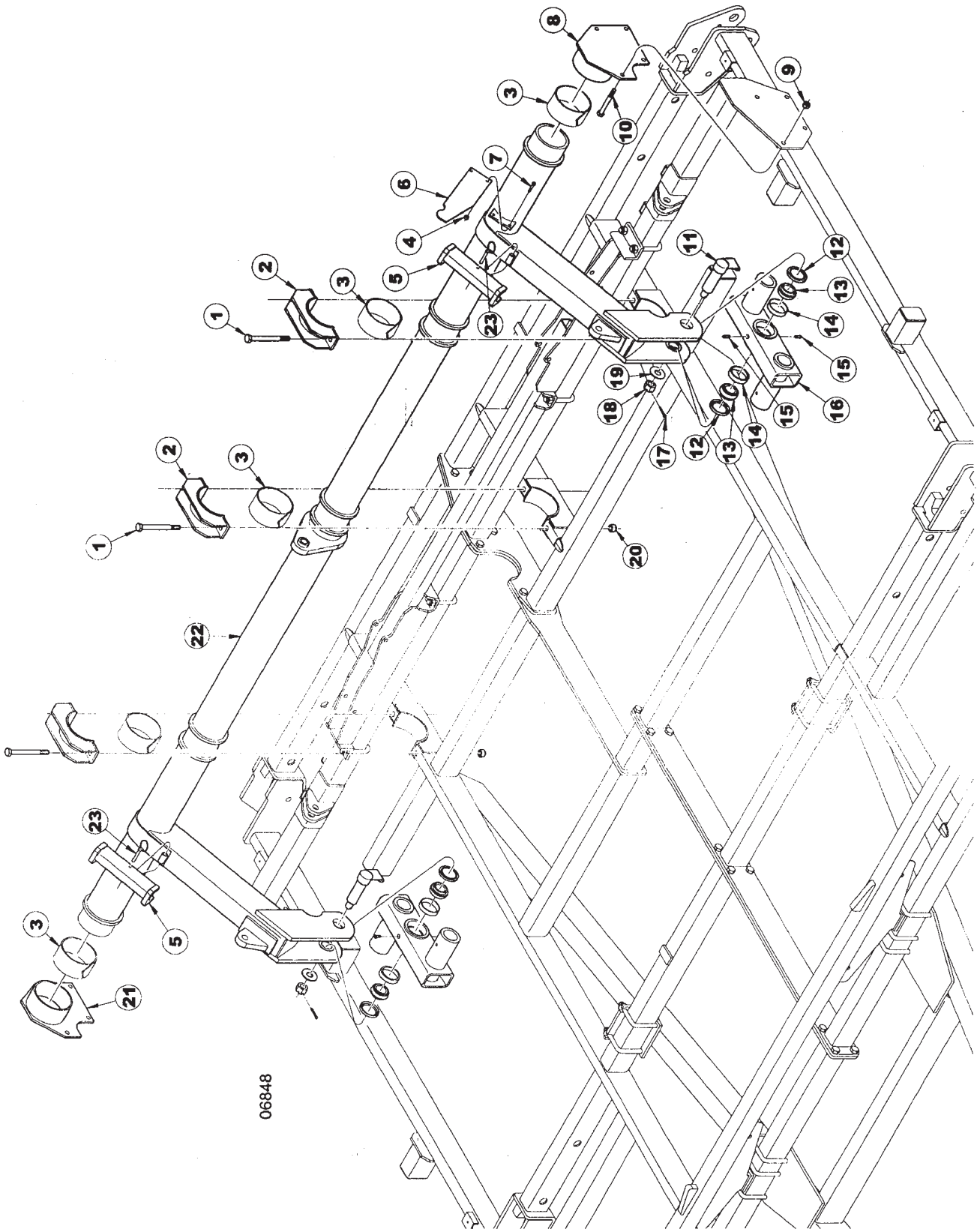
OUTER WING FRAME

ITEM	NUMBER	QTY	DESCRIPTION
1	SN109		HEX BOLT, 1"-8 X 7", GR 5, Y/D
2	SN12184R		LINK, FOLD (44')
	SN10831R		LINK, FOLD (54' & 62')
	SN10832R		LINK, FOLD (48' & 58')
3	SN10825		BUSHING, UHMW HINGE, 2 7/8" L
4	SN10826		BUSHING, LOOSE (2 15/16" L), Y/D
5	SN5251		PIN, 1" X 5 13/16" (4 1/2"), Y/D
6	SN3164		ROLL PIN, 5/16" X 2" SPIRAL MEDIUM DUTY, Y/D
7	SN10851R		LOCK, FOLD (44'-58')
	SN10850R		LOCK, FOLD (62')
8	SN2096		LOCK NUT, 1/2"-13 HEX NYLON INSERT
9	SN5941		U-BOLT, 1/2"-13 X 5 1/2" X 3 9/16" W, GR 5, Y/D (44'-58')
	SN10855		U-BOLT, 1/2" X 6 3/4" X 3 9/16" W, Y/D (62')
10	SN10823R		FRAME, 8' WING, RIGHT OUTER (44'-48')
	SN10824R		FRAME, 8' WING, LEFT OUTER (44'-48')
	SN10829R		FRAME, 10' WING, RIGHT OUTER (54'-58')
	SN10830R		FRAME, 10' WING, LEFT OUTER (54'-58')
	SN10800R		FRAME, 12' WING, RIGHT OUTER (62')
	SN10801R		FRAME, 12' WING, LEFT OUTER (62')
11	SN3938		LOCK NUT, 1"-8 HEX NYLON INSERT, GR2, Y/D
12	SN669-1		LOCK NUT, 5/8" HEX NYLON INSERT
13	SN670		HEX BOLT, 5/8"-11 X 2", GR 5, Y/D
14	SN12126		EXTENSION, REAR BOLT ON
15	SN12125R		EXTENSION, FRONT BOLT ON
16	SN1723		HEX BOLT, 5/8"-11 X 3 1/2", GR 5, Y/D

I0006857

5055 FIELD CULTIVATOR
SERVICE PARTS

CENTER LIFT ASSEMBLY



06848

**5055 FIELD CULTIVATOR
SERVICE PARTS**

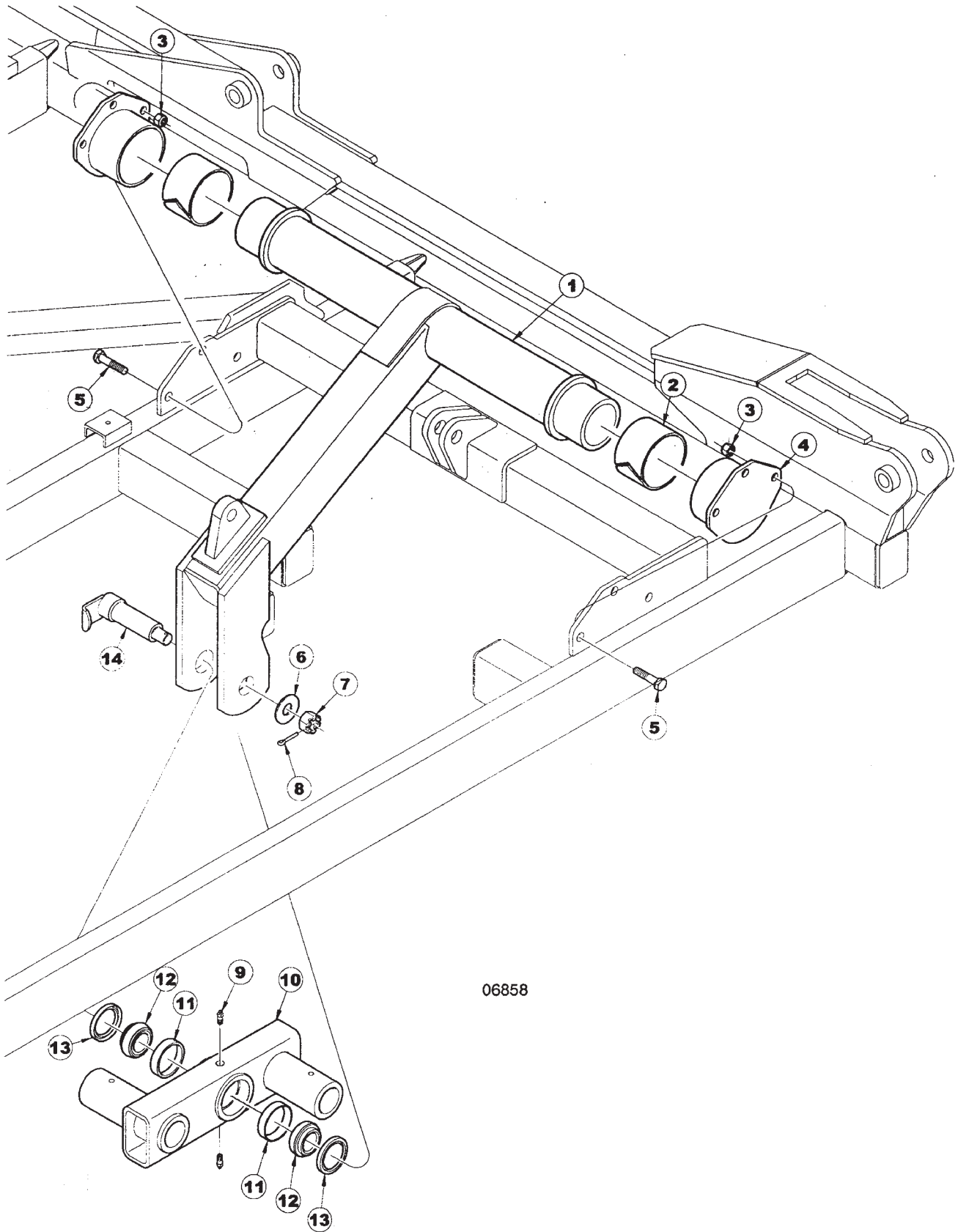
17

CENTER LIFT ASSEMBLY

ITEM	NUMBER	QTY	DESCRIPTION
1	SN1676		HEX BOLT, 3/4"-10 X 7", GR 5 Y/D
2	SN10683R		BEARING, CAP
3	SN7569		BEARING, LIFT (SPLIT) 3" WIDE
4	SN3567		LOCK NUT, 3/8"-16 HEX NYLON INSERT, GR 2, Y/D
5	SN7785R		TRANSPORT LOCK
6	SN12137R		STRIKER, VALVE
7	SN3984		HEX BOLT, 3/8"-16 X 1 1/4",GR 5, Y/D
8	SN10674R		BEARING, CAP
9	SN669-1		LOCK NUT, 5/8" HEX NYLON
10	SN3065		HEX BOLT, 5/8"-11 X 4", GR 5, Y/D
11	SN2991		SPINDLE, TANDEM AXLE
12	SN3063		WALKING BEAM SEAL (NAT.204035 C/R 22870)
13	SN3061		WALKING BEAM BEARING (342A)
14	SN3062		WALKING BEAM RACE (332)
15	SN2098-5		GREASE ZERK, 1/8" NPTF, 1 1/4" L
16	SN10805R		TANDEM PIVOT, 2 3/4" SPINDLE
	SN10615		TANDEM PIVOT, 2 1/4" SPINDLE
17	SN3066		COTTER PIN, 7/32" X 1 1/2"
18	SN2992		HEX NUT,1"-14 FULL SLOTTED GR 2, Y/D
19	SN245		FLAT WASHER, 1" WIDE RIM, Y/D
20	SNHEN3410		LOCK NUT, 3/4" HEX NYLON INSERT, Y/D, Y/D
21	SN10675R		BEARING, CAP
22	SN10600R		LIFT, MAIN 14' CENTER (54'-62')
	SN10601R		LIFT, MAIN 12' CENTER (44'-50')
23	SN12268		PIN, WIRE LOCK 3/8" X 2 1/2", Y/D

I0006848

WING LIFT ASSEMBLY



06858

5055 FIELD CULTIVATOR
SERVICE PARTS

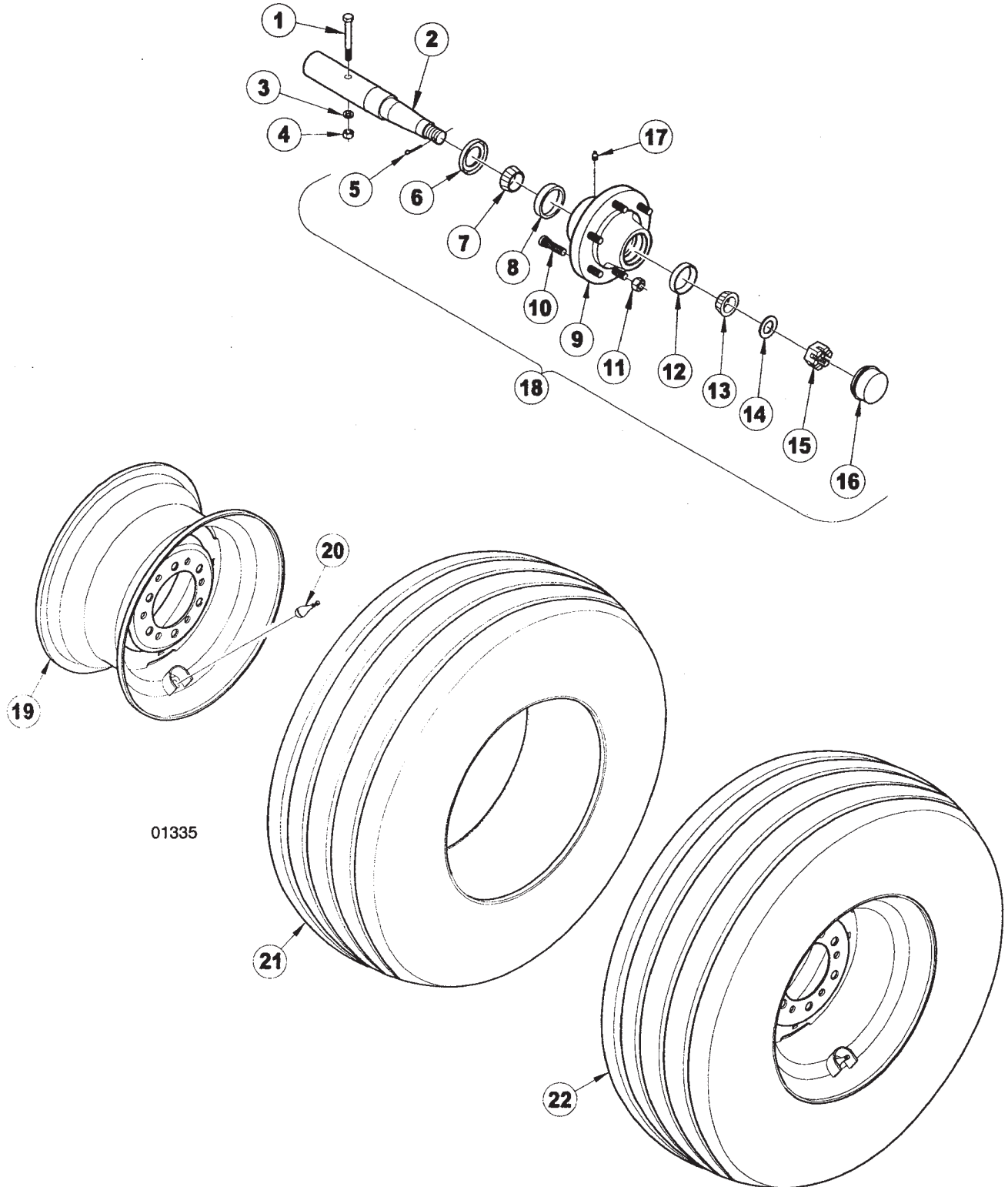
19

WING LIFT ASSEMBLY

ITEM	NUMBER	QTY	DESCRIPTION
1	SN10599		LIFT, WING
2	SN10635		BEARING, LIFT (SPLIT) 3" WIDE
3	SN669-1		LOCK NUT, 5/8" HEX NYLON INSERT, GR 5, Y/D
4	SN10676R		BEARING, CAP
5	SN670		HEX BOLT, 5/8"-11 X 2", GR 5, Y/D
6	SN245		FLAT WASHER, 1" WIDE RIM, Y/D
7	SN2992		HEX NUT, 1"-14 FULL SLOTTED GR 2, Y/D
8	SN3066		COTTER PIN, 7/32" X 1 1/2"
9	SN2098-5		GREASE ZERK, 1/8" NPTF, 1 1/4" L
10	SN10615		TANDEM PIVOT, 2 1/4" SPINDLE
	SN10616R		TANDEM PIVOT, 2" SPINDLE
11	SN3062		WALKING BEAM RACE (332)
12	SN3061		WALKING BEAM BEARING (342A)
13	SN3063		WALKING BEAM SEAL (NAT.204035 C/R 22870)
14	SN2991		SPINDLE, TANDEM AXLE

I0006858

6 BOLT HUB & WHEEL ASSEMBLY



01335

**5055 FIELD CULTIVATOR
SERVICE PARTS**

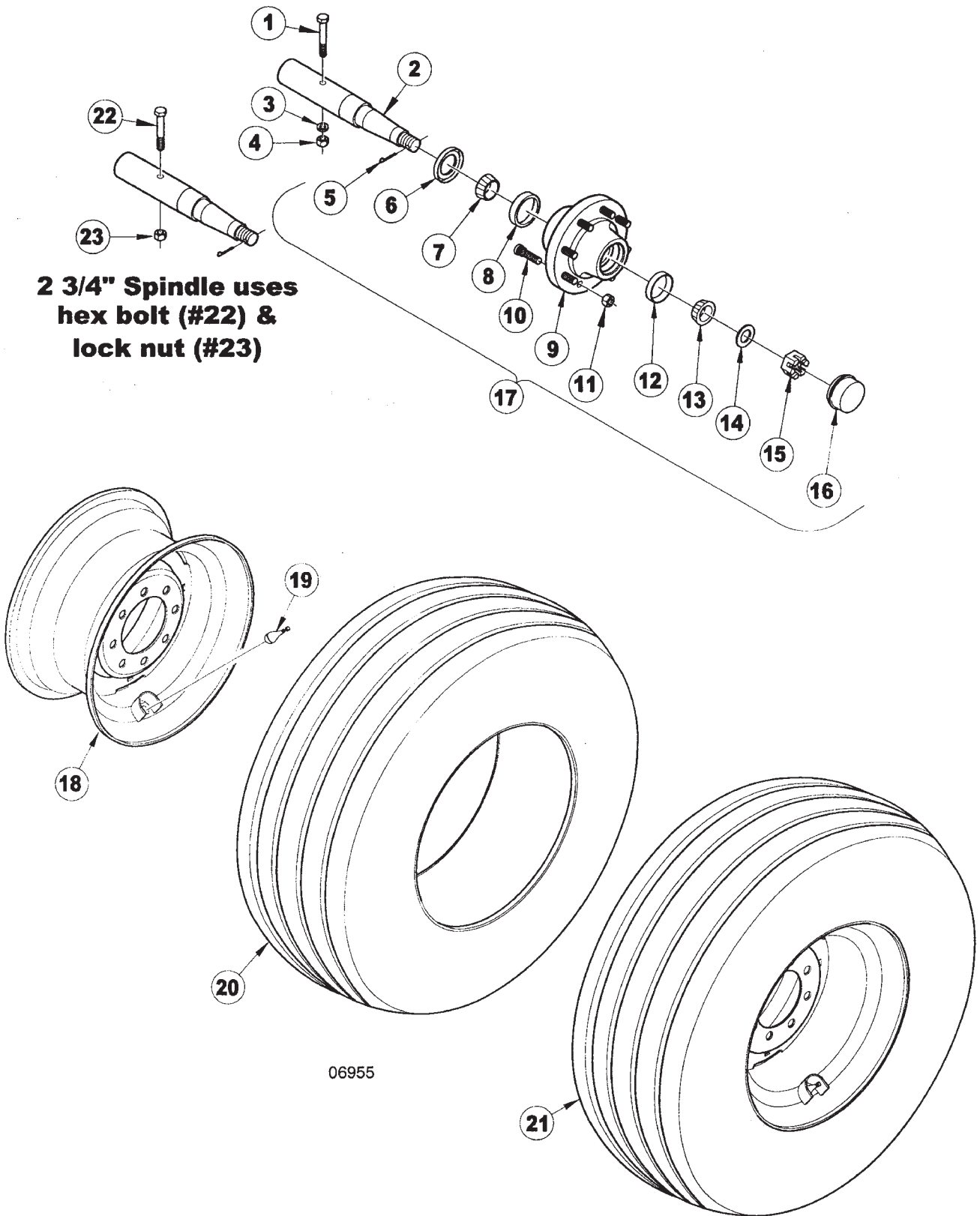
21

6 BOLT HUB & WHEEL ASSEMBLY

ITEM	NUMBER	QTY	DESCRIPTION
1	SN2585		HEX BOLT, 7/16"-14 X 3 1/2", GR 5, Y/D
2	SN3299		SPINDLE, 2" X 13 3/16"
3	SN302		LOCKWASHER, 7/16" SPLIT TYPE MED, Y/D
4	SN303		HEX NUT, 7/16"-14 FULL, GR 2, Y/D
5	SN3066		COTTER PIN, 7/32" X 1 1/2"
6	SN3301		TRIPLE LIP SEAL
7	SN1935		BEARING (LM501349)
8	SN1936		RACE (LM501310)
9	SN1937		SIX BOLT HUB, STUDDED W/CUPS AND LUG NUTS, PAINTED
10	SN3118		LUG BOLT, 9/16"-18 X 1 7/8" PRESS IN, PL
11	SN3117		LUG NUT, 9/16"-18, GR 5, 90 DEG TAPER, Y/D
12	SN1605		RACE (LM67010)
13	SN1606		BEARING (LM67048)
14	SN3303		WASHER, 1 1/32" ID X 1 3/4" ODX 1/8" THICK, PLAIN
15	SN3302		HEX NUT, 1"-14 FULL SLOTTED GR 2, PLAIN
16	SN1610		DUST CAP, 2.448" OD, Y/D
17	SN2098-6		GREASE ZERK, 1/4"-28, 17/32" L, STRAIGHT W/TAPER THREADS
18	SN3300		SIX BOLT HUB ASSEMBLY W/3301 SEAL
19	SN1944		WHEEL, 15 X 10, 6 BOLT
20	SN3577		VALVE STEM
21	SN3580		TIRE, 11L X 15, 8 PLY TUBELESS
22	SN3058		TIRE, 11L 8 PLY TUBELESS W/15 X 10 WHEEL ASSY 6 BOLT

I0001335

8 BOLT HUB & WHEEL ASSEMBLY



**2 3/4" Spindle uses
hex bolt (#22) &
lock nut (#23)**

06955

**5055 FIELD CULTIVATOR
SERVICE PARTS**

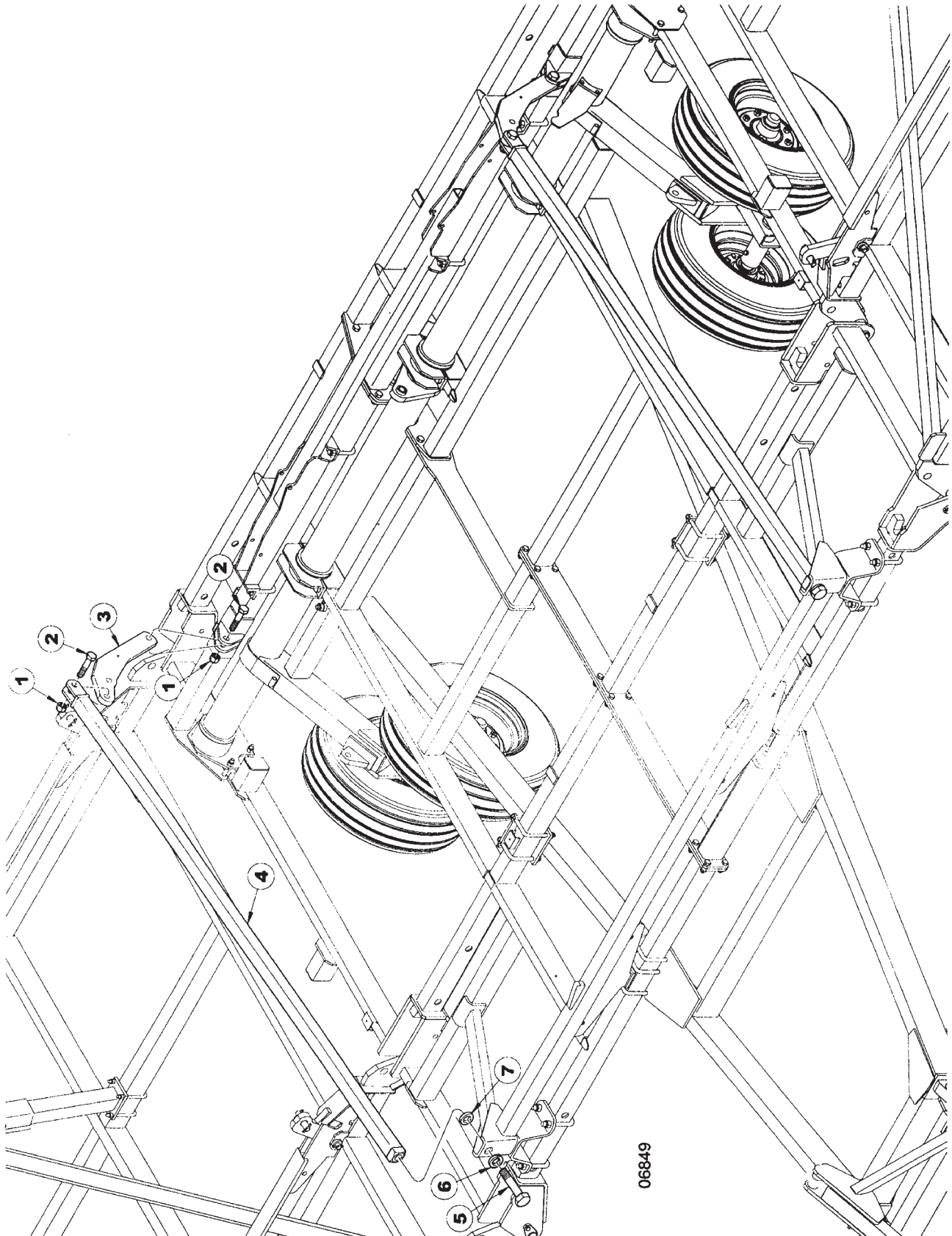
23

8 BOLT HUB & WHEEL ASSEMBLY

ITEM	NUMBER QTY	DESCRIPTION
1	SN2569	HEX BOLT, 7/16"-14 X 4", GR 5 Y/D (2 1/4" SPINDLE)
2	SN3687	SPINDLE, 2 1/4" X 14"
	SN5621	SPINDLE, 2 3/4" X 15 5/16"L
3	SN302	LOCKWASHER, 7/16" SPLIT TYPE MED, Y/D
4	SN303	HEX NUT, 7/16"-14 FULL, GR 2, Y/D
5	SN3066	COTTER PIN, 7/32" X 1 1/2" (2 1/4" SPINDLE)
	SN1609	COTTER PIN, 3/16" X 1 1/2" (2 3/4" SPINDLE)
6	SN3301	TRIPLE LIP SEAL (2 1/4" SPINDLE)
	SNFK310064	SEAL, 8-BOLT (2 3/4" SPINDLE)
7	SN3683	BEARING(LM603049) (2 1/4" SPINDLE)
	SN1935	BEARING (LM501349) (2 3/4" SPINDLE)
8	SN3684	RACE (LM603011)
9	SN3685	EIGHT BOLT HUB, STUDDERED (2 1/4" SPINDLE)
	SNFK340163	EIGHT BOLT HUB, STUDDERED (2 3/4" SPINDLE)
10	SN3118	LUG BOLT, 9/16"-18 X 1 7/8" PRESS IN, PL
11	SN3117	LUG NUT, 9/16"-18, GR 5, 90 DEG TAPER, Y/D
12	SN1605	RACE (LM67010)
13	SN1606	BEARING (LM67048) (2 1/4" SPINDLE)
	SNFK310062	BEARING (JLM506849) (2 3/4" SPINDLE)
14	SN3303	WASHER, 1 1/32" ID X 1 3/4" ODX 1/8" THICK, PLAIN (2 1/4" SPINDLE)
	SNFK340165	WASHER, 1 1/16" ID X 2 1/8" OD X 1/4" THICK, PLAIN (2 3/4" SPINDLE)
15	SN3302	HEX NUT, 1"-14 FULL SLOTTED GR 2, PLAIN
16	SN1610	DUST CAP, 2.448" OD, Y/D(2 1/4" SPINDLE)
	SNFK340162	DUST CAP, 3.125" OD, Y/D(2 3/4" SPINDLE)
17	SN3686	8 BOLT HUB ASSEMBLY (2 1/4" SPINDLE)
	SNFK800384	EIGHT BOLT HUB ASSY. (2 3/4" SPINDLE)
18	SN3688Y	WHEEL, 15 X 10, 8 BOLT
	SN5603	WHEEL, 15 X 10, 8 BOLT, 3/8" OFFSET
19	SN3577	VALVE STEM
20	SN9266	TIRE, 11L X 15, (GY-FI-F)
	SN5578	TIRE, 12.5L X 15, (GY-FI-F)
21	SN5552	TIRE, 11L (GY-FI-F) W/15X10 WH ASSY 8 BT
	SN5579	TIRE, 12.5L (GY-FI-F) W/15X10 WH ASSY 8 BT
	SN5555	TIRE, 12.5L (GY-FI-F) W/15X10 WHASSY 8 BT
22	SN140	HEX BOLT, 1/2"-13 X 4 1/2", GR 5, Y/D (2 3/4" SPINDLE)
23	SN2096	LOCK NUT, 1/2"-13 HEX NYLON INSERT (2 3/4" SPINDLE)

I0006955

CENTER LIFT ARM ASSEMBLY



06849

**5055 FIELD CULTIVATOR
SERVICE PARTS**

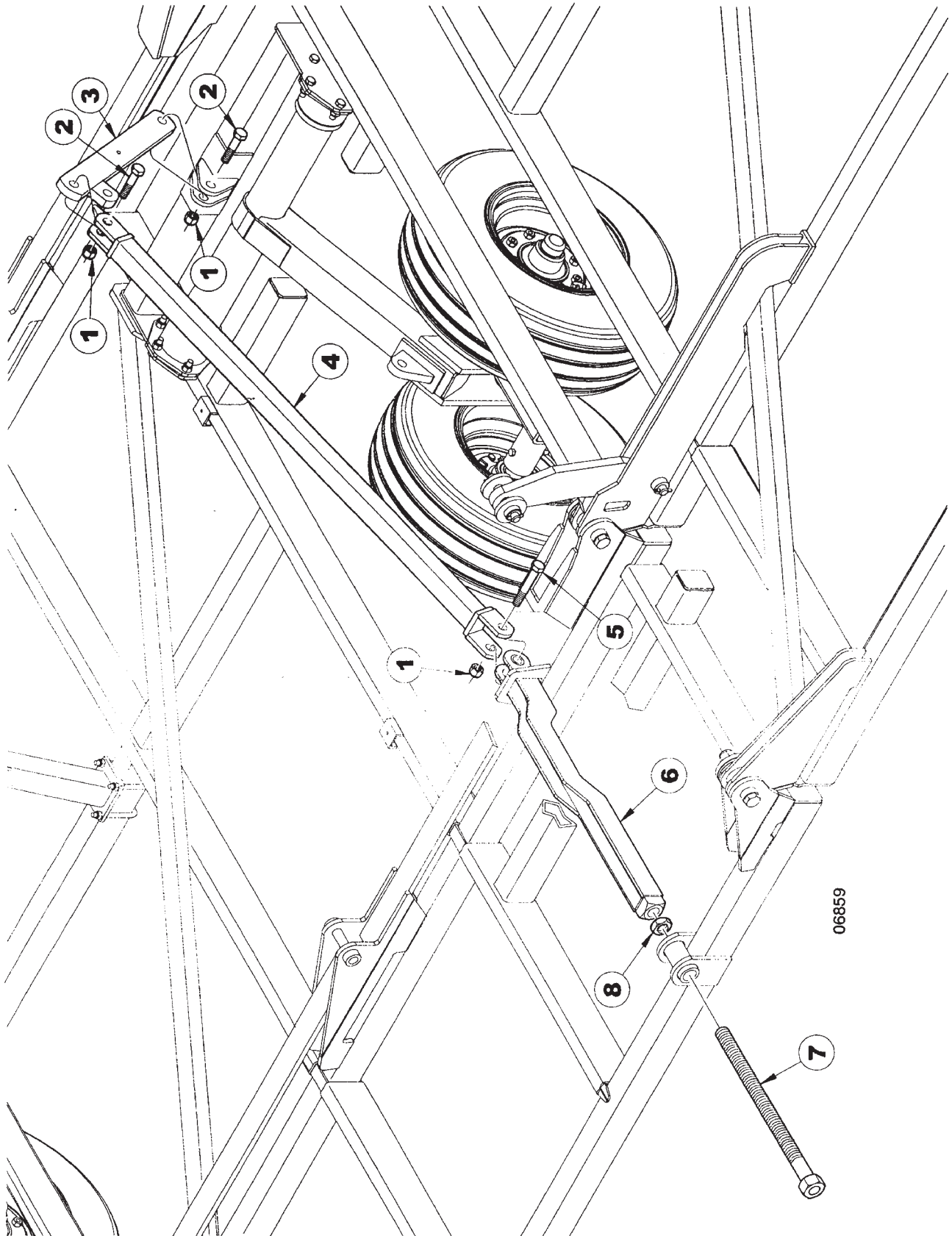
25

CENTER LIFT ARM ASSEMBLY

ITEM	NUMBER	QTY	DESCRIPTION
1	SN3938		LOCK NUT, 1"-8 HEX NYLON
2	SN155		HEX BOLT, 1"-8 X 3 1/2", GR 5 Y/D
3	SN12138R		LINK, LIFT
4	SN12136		LINK, DEPTH CONTROL
5	SN10541		HEX BOLT, 1 1/2"-6 X 3 1/2", GR 5, Y/D
6	SN2085		LOCK WASHER, 1 1/2" SPLIT TYPE MED, Y/D
7	SN12098		SPACER TUBE, 1/2" L, Y/D (USED WITH 12.5L TIRES ONLY)

I0006849

WING LIFT ARM (INNER & OUTER WING)



06859

5055 FIELD CULTIVATOR
SERVICE PARTS

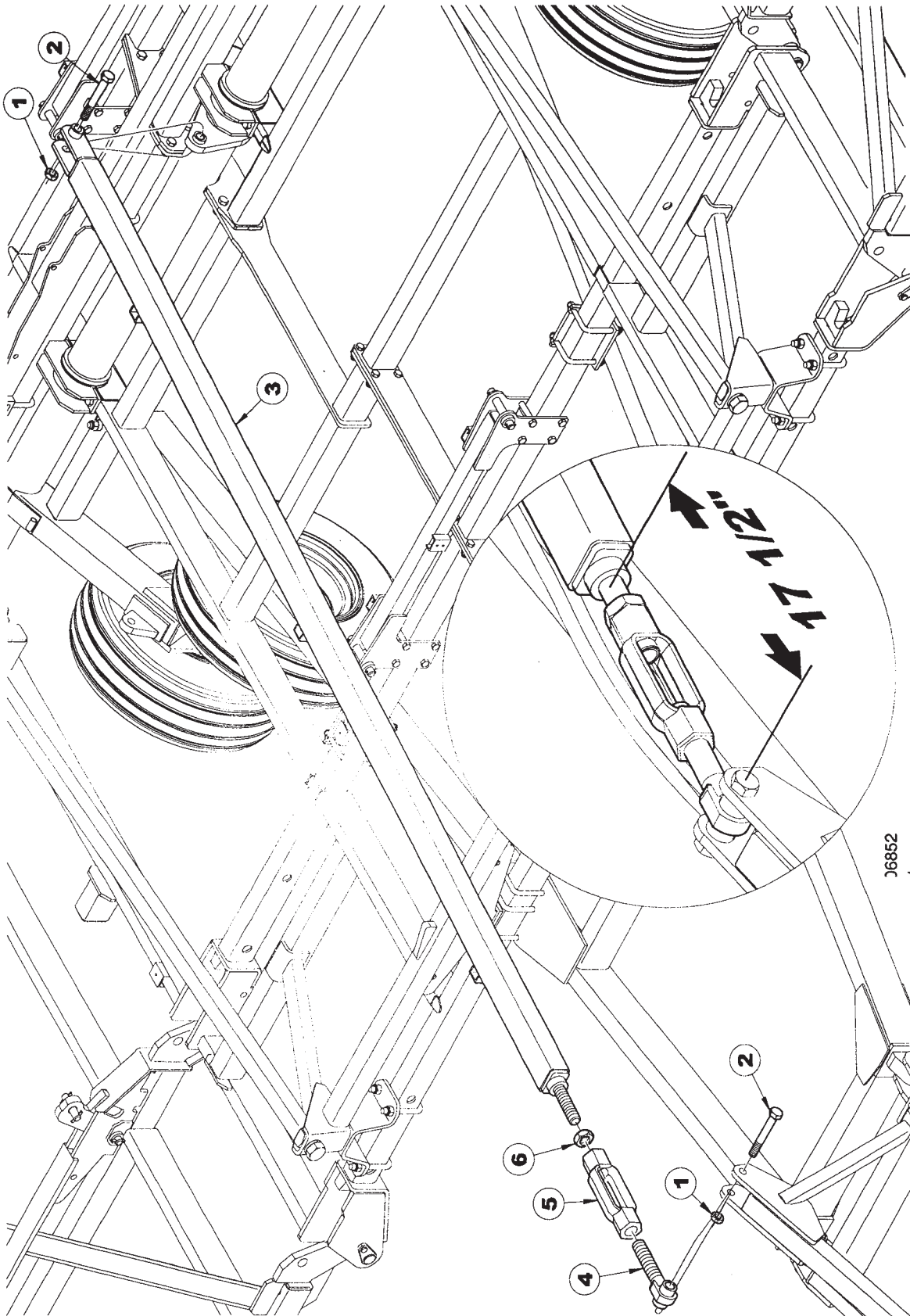
27

WING LIFT ARM (INNER & OUTER WING)

ITEM	NUMBER	QTY	DESCRIPTION
1	SN3938		LOCK NUT, 1"-8 HEX NYLON
2	SN155		HEX BOLT, 1"-8 X 3 1/2", GR 5 Y/D
3	SN10629		LINK, LIFT
4	SN10843R		LINK, LIFT
5	SNFK150013		HEX BOLT, 1"-8 X 5" GR 5, Y/D
6	SN10844		ARM, LIFT
7	SN10664		BOLT, ADJUSTING, Y/D
8	SN2079		JAM NUT, 1 1/2"-6 HEX, GR 2, Y/D

I0006859

LEVELER ASSEMBLY



**5055 FIELD CULTIVATOR
SERVICE PARTS**

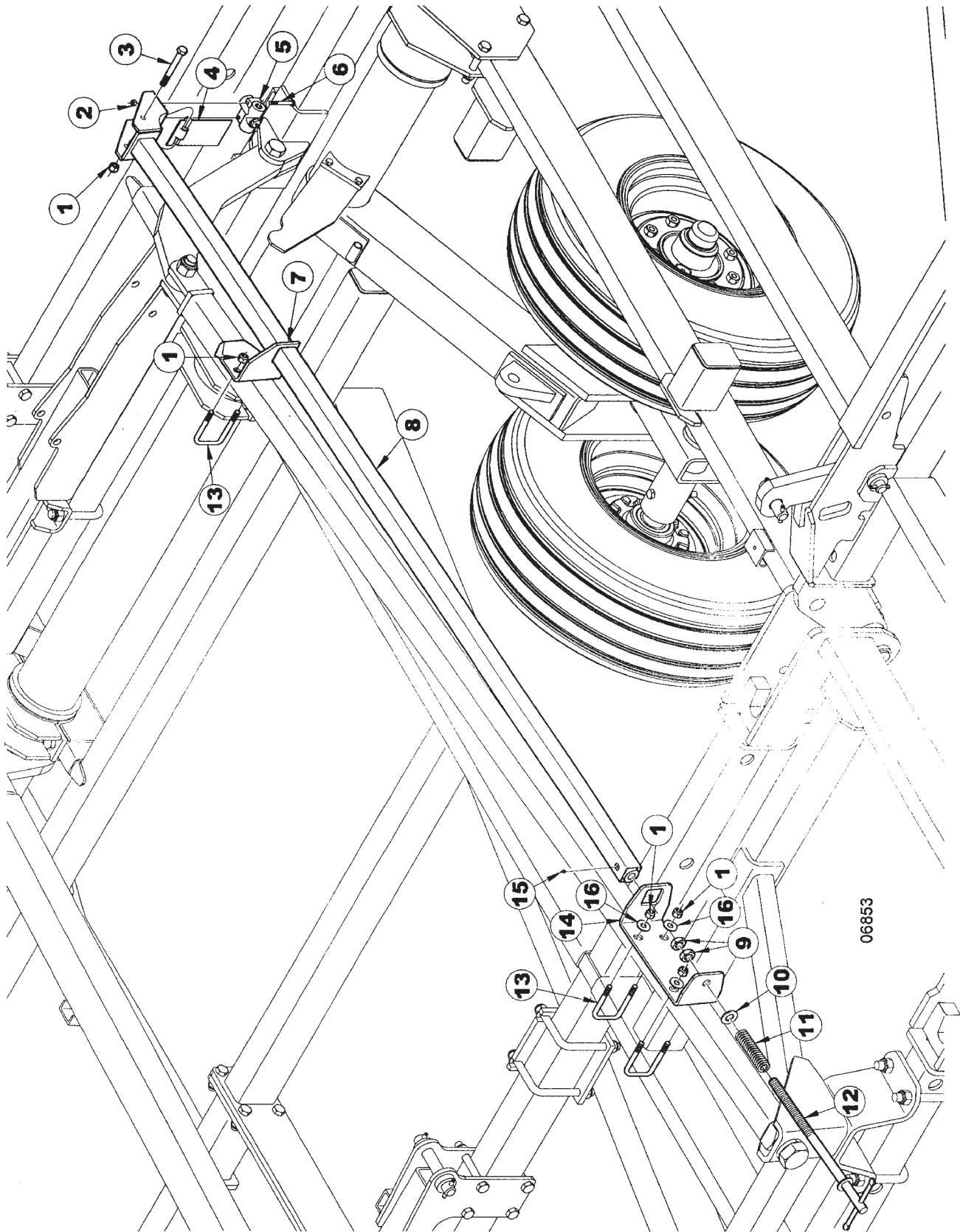
29

LEVELER ASSEMBLY

ITEM	NUMBER	QTY	DESCRIPTION
1	SN1849		JAM NUT, 1"-8 HEX, GR 2, Y/D
2	SNFK150052		HEX BOLT, 1"-8 X 6" GR 5, Y/D
3	SN10597		TUBE, SELF LEVELER (54'-62')
	SN10750		TUBE, SELF LEVELER (44'-50')
4	SN10605		TURNBUCKLE END, LH, Y/D
5	SN9597		1 1/2" X 6" TURNBUCKLE BODY W/RH&LH THREADS
6	SN2079		JAM NUT, 1 1/2"-6 HEX, GR 2, Y/D

I0006852

STROKE CONTROL ASSEMBLY



5055 FIELD CULTIVATOR
SERVICE PARTS

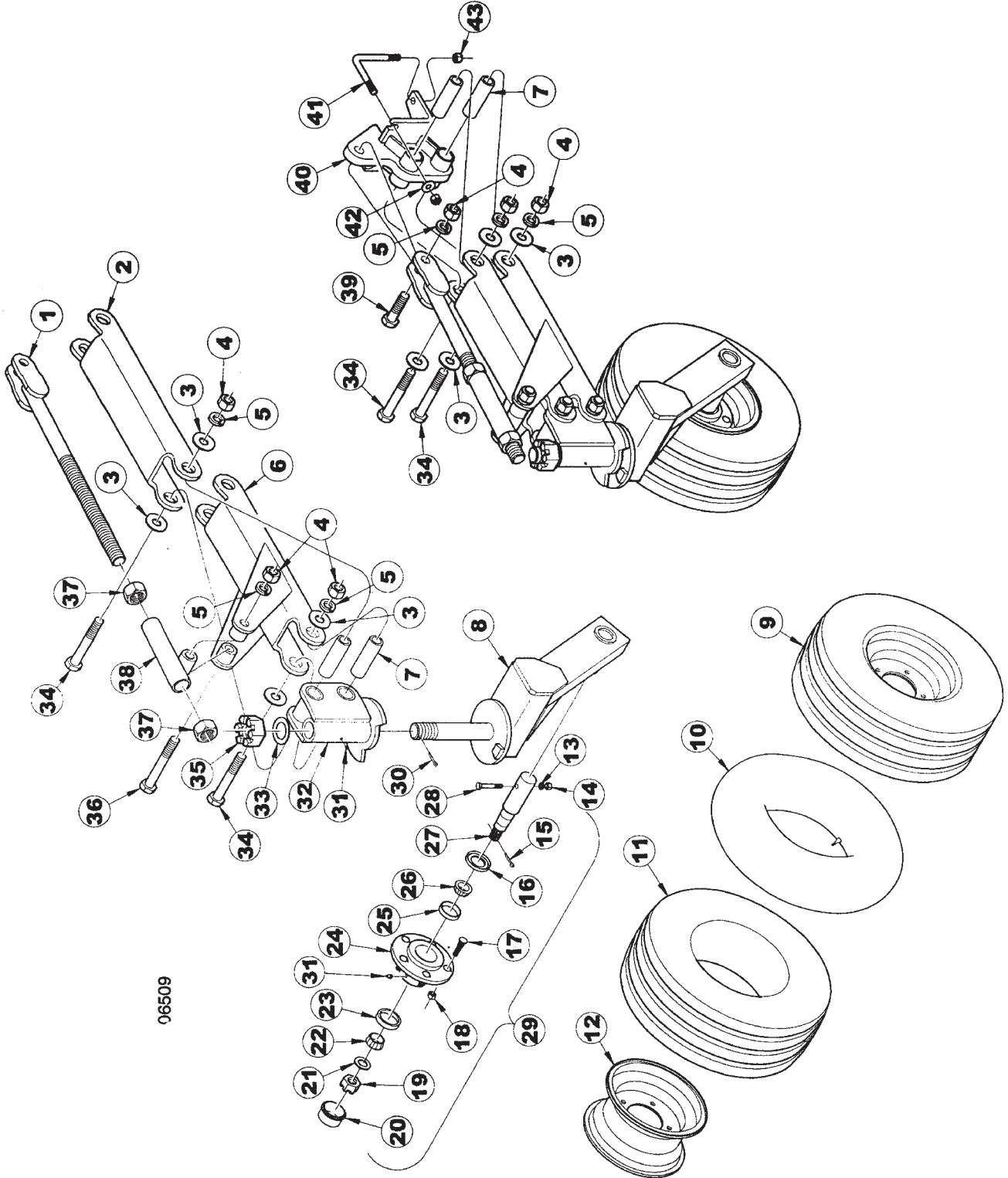
31

STROKE CONTROL ASSEMBLY

ITEM	NUMBER	QTY	DESCRIPTION
1	SN2096		LOCK NUT, 1/2"-13 HEX NYLON INSERT
2	SN6378		LOCK NUT, 5/16" HEX NYLON
3	SN140		HEX BOLT, 1/2"-13 X 4 1/2", GR 5, Y/D
4	SN6930		STOP TAB
5	SN4732		DEPTH CONTROL VALVE
6	SN1817		HEX BOLT, 5/16"-18 X 2 1/2", GR 5, Y/D
7	SN10633R		BRACKET, MOUNTING
8	SN10631		STOP, ADJUSTABLE STROKE CONTROL
9	SN1243		JAM NUT, 3/4"-10 HEX, GR 2, Y/D
10	SN779		WASHER, 25/32" ID X 1 1/2" OD, 10 GA, PL
11	SN4944		SPRING, 1.10" OD, .135 DIA, 3 1/2" L.
12	SN5137		THREADED REMOTE ADJUSTMENT, Y/D
13	SN3619		U-BOLT, 1/2"-13 X 3 5/8" X 3" W, GR 5, Y/D
14	SN12186		BRACKET, MOUNTING
15	SN2098-6		GREASE ZERK, 1/4"-28, 17/32" L, STRAIGHT W/TAPER THREADS
16	SN486		FLAT WASHER, 1/2", Y/D
17	SN8636-1		CARTRIDGE ASSY, CROSS

I0006853

SWIVEL TYPE GAUGE WHEEL



065509

**5055 FIELD CULTIVATOR
SERVICE PARTS**

33

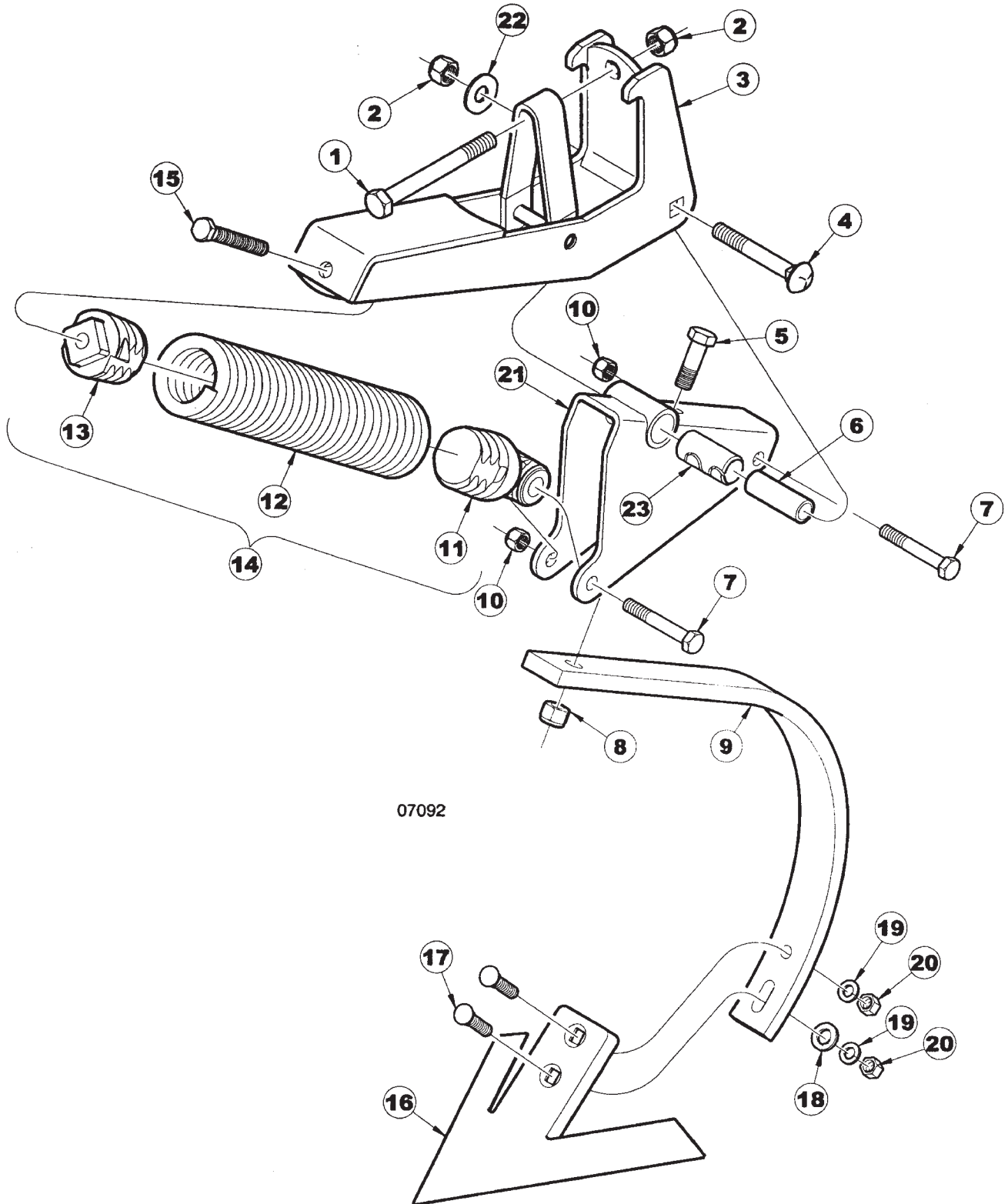
SWIVEL TYPE GAUGE WHEEL

ITEM	NUMBER	QTY	DESCRIPTION
1	SN7849		CONNECTING LINK SCREW
2	SN7853		UPPER LINK
3	SN10034		WASHER, 2.125" OD X 1.062" ID, .250", Y/D
4	SN110		HEX NUT, 1"-8 FULL, GR 5, Y/D
5	SN1283		LOCK WASHER, 1" SPLIT TYPE MED, Y/D
6	SN7854		LOWER LINK
7	SN7851		BUSHING, 1 1/2" OD X 1.030" ID, 4 13/16" L
8	SN5831		AXLE, HEAVY DUTY GAUGE WHEEL W/STOP
9	SN2801		TIRE, 20.5 X 8 X 10 WH ASSY
10	SN2392		TUBE, 20.5 X 8 X 10
11	SN2391		TIRE, 20.5 X 8 X 10
12	SN2390		WHEEL, 6 X 10
13	SN302		LOCKWASHER, 7/16" SPLIT TYPE MED, Y/D
14	SN303		HEX NUT, 7/16"-14 FULL, GR 2, Y/D
15	SN1609		COTTER PIN, 3/16" X 1 1/2"
16	SN1799		SEAL, TRIPLE LIP, WHEEL (CR 17618)
17	SN1611-1		SHOULDER BOLT, 1/2"-20 X 2 3/32" PRESS IN, 5/8" SHOULDER
18	SN1611		LUG NUT, 1/2"-20, GR 5, 90 DEG TAPER, Y/D
19	SN3302		HEX NUT, 1"-14 FULL SLOTTED GR 2, PLAIN
20	SN1610		DUST CAP, 2.448" OD, Y/D
21	SN3303		WASHER, 1 1/32" ID X 1 3/4" ODX 1/8" THICK, PLAIN
22	SN1606		BEARING (LM67048)
23	SN1605		RACE (LM67010)
24	SN1604		FIVE BOLT HUB, STUDDED W/CUPS AND LUG NUTS, PAINTED
25	SN1603		RACE (LM48510)
26	SN1602		BEARING (LM48548)
27	SN3309		SPINDLE, 1 3/4" X 8 1/2" H.D. GAUGE WHEEL
28	SN2585		HEX BOLT, 7/16"-14 X 3 1/2", GR 5, Y/D
29	SN2799		FIVE BOLT HUB ASSEMBLY (1"-14 UNF THREAD SPINDLE)
30	SN108		COTTER PIN, 5/16" X 2 1/2", Y/D
31	SN2098-1		GREASE ZERK, 1/8" NPTF, 5/8" L
32	SN9628		PIVOT PLATE
33	SN2756		FLAT WASHER, 1 13/16" ID X 2 13/16" OD, 10 GA, Y/D
34	SN1282		HEX BOLT, 1"-8 X 6 1/2", GR 5, Y/D
35	SN2036		HEX NUT, 1 3/4"-5 SLOTTED
36	SN109		HEX BOLT, 1"-8 X 7", GR 5, Y/D
37	SN1978		HEX NUT, 1 1/2"-6 FULL, GR 2, Y/D
38	SN6298		CONNECTING LINK MOUNT
39	SN155		HEX BOLT, 1"-8 X 3 1/2", GR 5 Y/D
40	SN10609R		HEAD, MOUNTING
41	SN9017		L-BOLT, 5/8"-11 X 4 1/2" X 5 1/2", Y/D
42	SN2089		FLAT WASHER, 5/8", Y/D
43	SN669-1		LOCK NUT, 5/8" HEX NYLON
	SN7856		CONNECTING LINK ASSEMBLY (ITEMS 1, 37, & 38)

I0006509

5055 FIELD CULTIVATOR
SERVICE PARTS

SPRING SHANK ASSEMBLY



07092

**5055 FIELD CULTIVATOR
SERVICE PARTS**

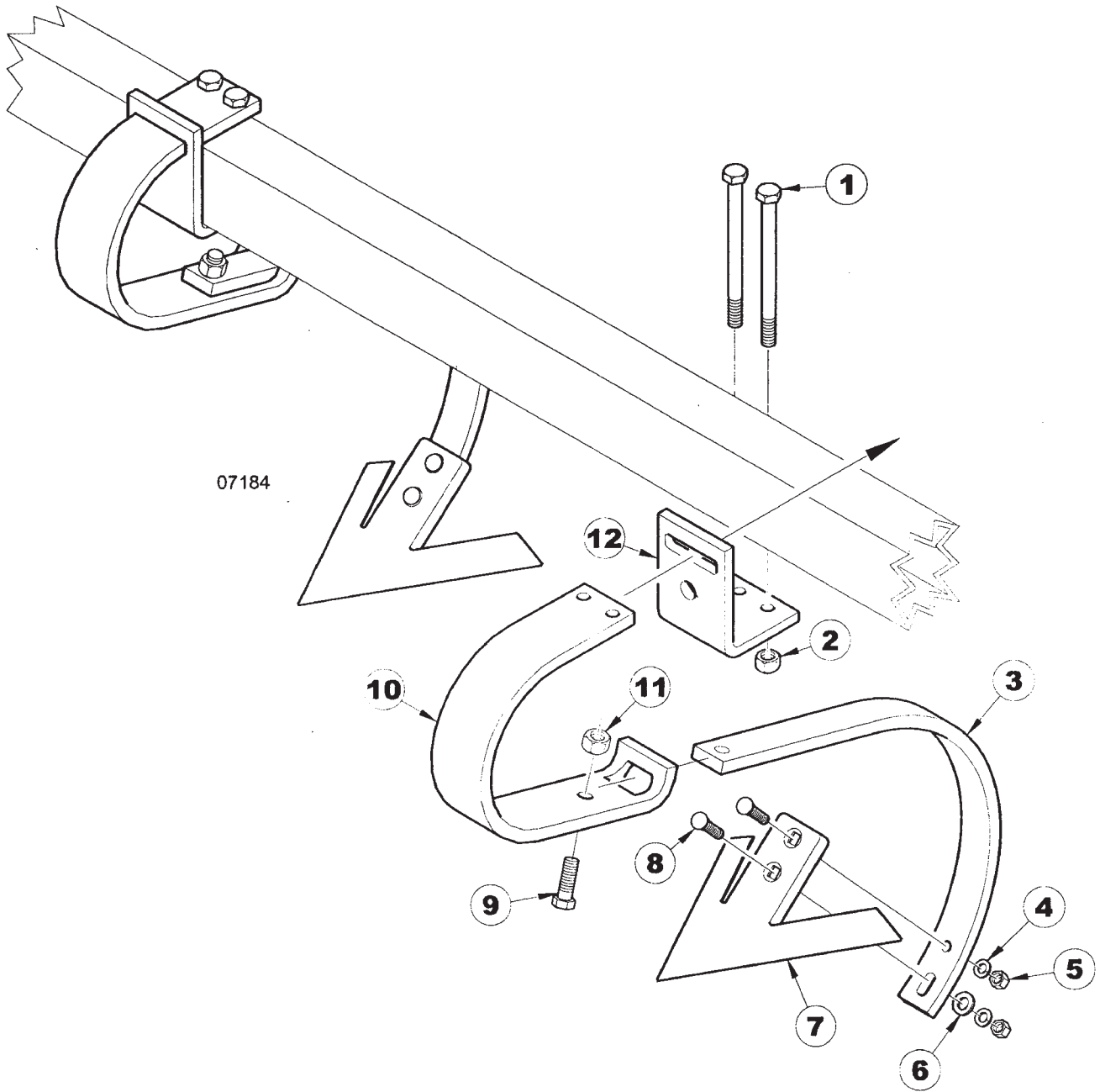
35

SPRING SHANK ASSEMBLY

ITEM	NUMBER	QTY	DESCRIPTION
1	SN2097		HEX BOLT, 5/8"-11 X 5 1/2", GR 5, Y/D
2	SN669-1		LOCK NUT, 5/8" HEX NYLON
3	SN10603		MOUNT, UPPER SHANK
4	SN3949		CARRIAGE BOLT, 5/8" X 4 1/4", Y/D, SPECIAL
	SN3065		HEX BOLT, 5/8"-11 X 4", GR 5, Y/D (SINGLE SHANK ON CENTER FRAME AND LEFT WING)
5	SN3790		HEX BOLT, 9/16"-12 X 1 3/4", GR 8, PL
6	SN5711		BUSHING, CLAMP
7	SN156		HEX BOLT, 1/2"-13 X 3", GR 5 Y/D
8	SN3757		LOCK NUT, 9/16"-12 HEX NYLON INSERT, GR 8, PLATED
9	SN12231		SHANK, 5/8" X 1 3/4" FLAT
	SN10579		DA (REF 12231) SHANK, 5/8" X 1 3/4"
10	SN2096		LOCK NUT, 1/2"-13 HEX NYLON INSERT
11	SN3042		SPRING BASE, 5000
12	SN3043		SPRING, 5000
13	SN3041		THREADED SPRING PLUG, 5000
14	SN3044B		SPRING ASSEMBLY, 5000 (ITEMS 11-13)
15	SN10820		HEX BOLT, 1/2"-13 X 4" ALL THD GR 5,Y/D
16	SN3046		SWEEP, 9" PLAIN (47 DEG)
17	SN3050		PLOW BOLT, 7/16"-14 X 1 1/2", GR 5, Y/D
18	SN305		FLAT WASHER, 7/16", Y/D
19	SN302		LOCKWASHER, 7/16" SPLIT TYPE MED,Y/D
20	SN303		HEX NUT, 7/16"-14 FULL, GR 2, Y/D
21	SN10604		SHANK HOLDER
22	SN5810		WASHER, 1 5/16" OD X 11/16" ID.149" THICK, HARDENED, Y/D
23	SN6642		BUSHING, 1 1/8" OD X.887" ID 2 3/8" L (HARD) SPRING
	SN12256		SPRING SHANK ASSEMBLY (ITEMS 1-10, 14, 15, 21, 22 & 23)

I0007092

S-TINE SHANK ASSEMBLY (2-PIECE)



**5055 FIELD CULTIVATOR
SERVICE PARTS**

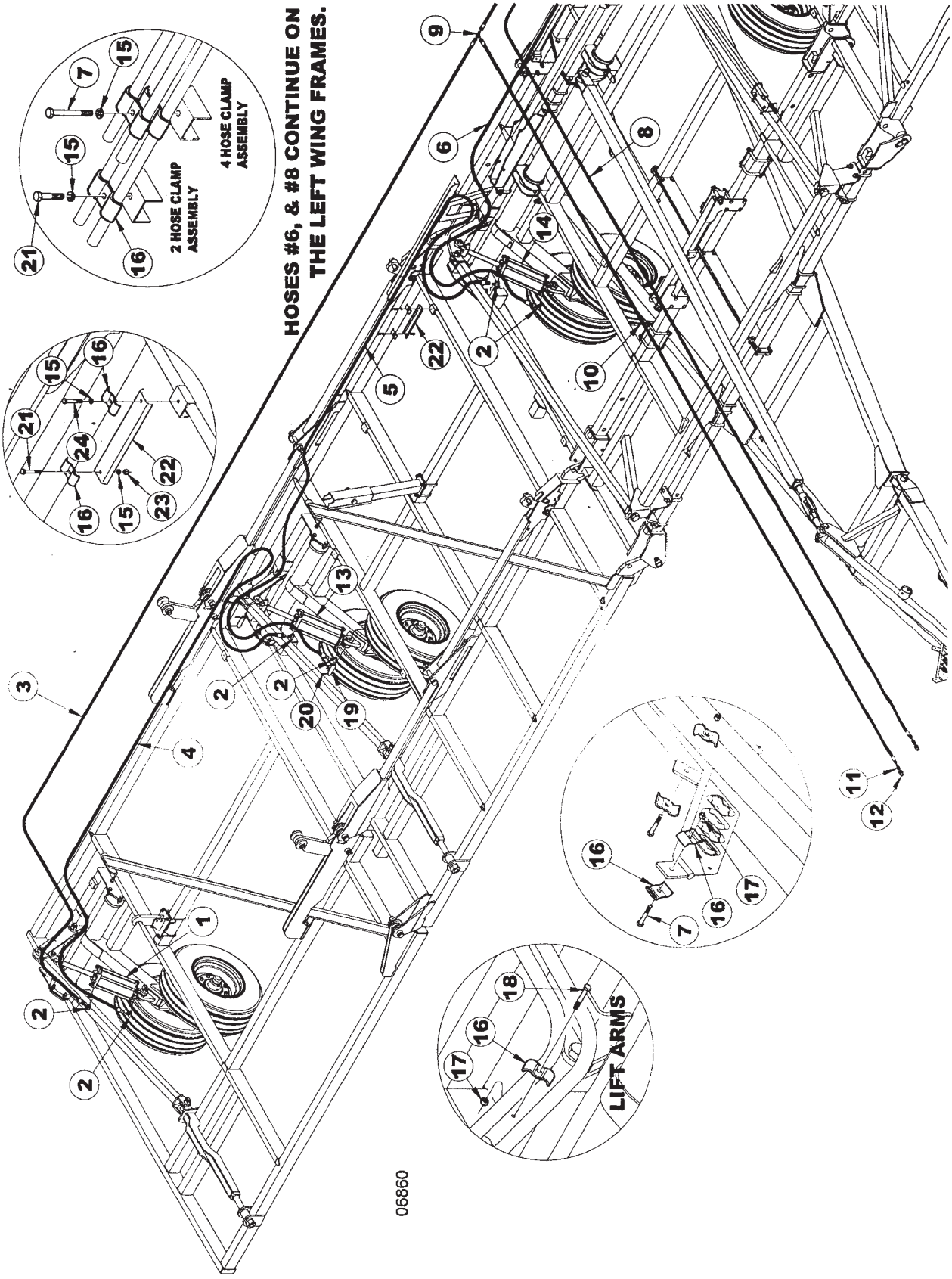
37

S-TINE SHANK ASSEMBLY (2-PIECE)

ITEM	NUMBER	QTY	DESCRIPTION
1	SN329		HEX BOLT, 1/2"-13 X 6"
2	SN2096		LOCK NUT, 1/2"-13 HEX NYLON INSERT
3	SN12257		SHANK, 5/8" X 1 3/4" X 24", FLAT
	SN6806		DA (REF 12257B) SHANK, 5/8" X 1 3/4" X 24", ON EDGE
4	SN302		LOCKWASHER, 7/16" SPLIT TYPE MED, Y/D
5	SN303		HEX NUT, 7/16"-14 FULL, GR 2, Y/D
6	SN305		FLAT WASHER, 7/16", Y/D
7	SN3046		SWEEP, 9" PLAIN (47 DEG)
8	SN3050		PLOW BOLT, 7/16"-14 X 1 1/2", GR 5, Y/D
9	SN7530		HEX BOLT, 5/8"-11 X 2 1/4" GR 5, Y/D
10	SN7453		SPRING CLAMP, S-TINE
11	SN669-1		LOCK NUT, 5/8" HEX NYLON
12	SN7528B		S-TINE CLAMP
	SN12375		SHANK ASSY, S-TINE 2 PIECE

I0007184

LIFT HYDRAULICS (CENTER & RIGHT WING)



HOSES #6, & #8 CONTINUE ON
THE LEFT WING FRAMES.

06860

**5055 FIELD CULTIVATOR
SERVICE PARTS**

39

LIFT HYDRAULICS (CENTER & RIGHT WING)

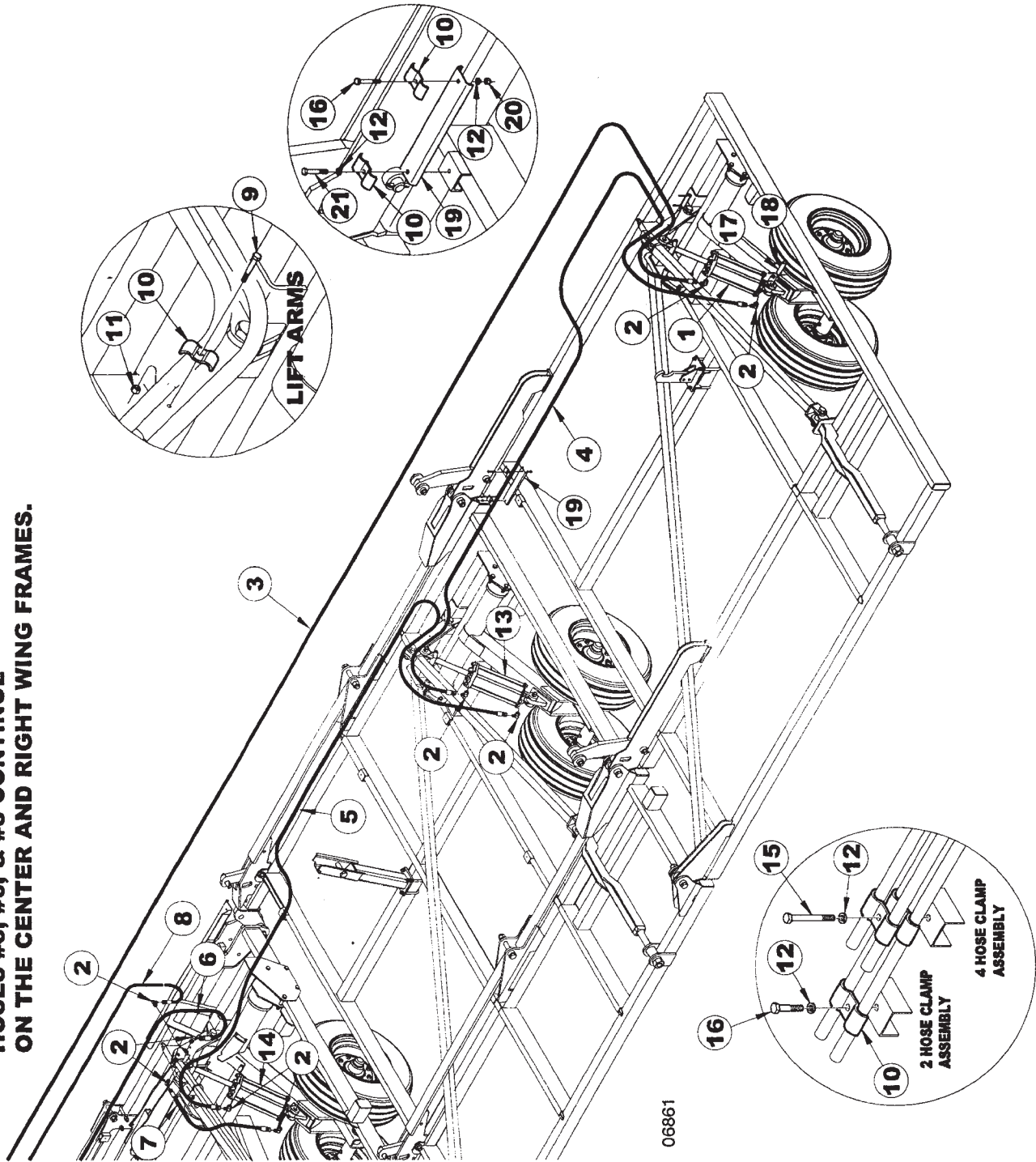
ITEM	NUMBER	QTY	DESCRIPTION
1	SN10816		CYLINDER, 3 1/2" X 10" REPH (22 1/4"CPC) ORB CROSS, 3000 PSI
2	SN4454		90 DEG STR THREAD ELBOW, 3/4"-16
3	SN4290002		HOSE, 3/8" X 290" L, FEMALE ENDS (44')
	SN4314002		HOSE, 3/8" X 314" L, FEMALE ENDS (48' & 50')
	SN4350002		HOSE, 3/8" X 350" L, FEMALE ENDS (54')
	SN4374002		HOSE, 3/8" X 374" L, FEMALE ENDS (58')
	SN4398002		HOSE, 3/8" X 398" L, FEMALE ENDS (62')
4	SN4191002		HOSE, 3/8" X 191" L, FEMALE ENDS (44' & 50')
	SN4215002		HOSE, 3/8" X 215" L, FEMALE ENDS (54', & 58')
	SN4239002		HOSE, 3/8" X 239" L, FEMALE ENDS (62')
5	SN4191002		HOSE, 3/8" X 191" L, FEMALE ENDS (44')
	SN4215002		HOSE, 3/8" X 215" L, FEMALE ENDS (48' - 54')
	SN4239002		HOSE, 3/8" X 239" L, FEMALE ENDS (58' & 62')
6	SN4181002		HOSE, 3/8" X 181" L, FEMALE ENDS (44' - 50')
	SN4205002		HOSE, 3/8" X 205" L, FEMALE ENDS (54'-62')
7	SN474		HEX BOLT, 3/8"-16 X 2", GR 5 Y/D
8	SN4367002		HOSE, 3/8" X 367" L, FEMALE ENDS (44' - 50')
	SN4403002		HOSE, 3/8" X 403" L, FEMALE ENDS (54' - 62')
9	SN2429		UNION TEE, 3/4"-16 MF
10	SN4303002		HOSE, 3/8" X 303" L, FEMALE ENDS (44' & 48')
	SN4327002		HOSE, 3/8" X 327" L, FEMALE ENDS (54'-62')
11	SN2425		MALE CONNECTOR, 3/4"-16 MF X 1/2"-14 MPT
12	SN3253		HYDRAULIC COUPLER, MALE HALF
13	SN10815		CYLINDER, 3 3/4" X 10" REPH (22 1/4"CPC) ORB CROSS, 3000 PSI
14	SN10814		CYLINDER, 4" X 10" REPH (22 1/4" CPC) ORB CROSS, 3000 PSI
15	SN176		LOCK WASHER, 3/8" SPLIT TYPE MED, Y/D
16	SN5302		PIPE CLAMP, 3/8" BOLT HOLE, Y/D
17	SN3567		LOCK NUT, 3/8"-16 HEX NYLON INSERT, GR 2, Y/D
18	SN2487		HEX BOLT, 3/8"-16 X 2 1/2", GR 5, Y/D
19	SN5339		PIN, 1" X 4 1/16" (3"), Y/D
20	SN3164		ROLL PIN, 5/16" X 2" SPIRAL MED DUTY, Y/D
21	SN3984		HEX BOLT, 3/8"-16 X 1 1/4", GR 5, Y/D
22	SN12099R		EXTENSION, HOSE MOUNT
23	SN177		HEX NUT, 3/8"-16 FULL, GR 2, Y/D
24	SN175		HEX BOLT, 3/8"-16 X 1 1/2", GR 5, Y/D

WARNING
THESE PARTS ARE IMPORTANT TO THE SAFETY OF THIS EQUIPMENT AND THOSE WHO OPERATE IT. USE ONLY EXACT REPLACEMENT PARTS TO PREVENT HYDRAULIC FAILURE. BEFORE REPLACING THESE PARTS, REVIEW AND FOLLOW THE INSTRUCTIONS IN THE SAFETY AND OPERATING SECTIONS OF THIS MANUAL.

I0006860

LIFT HYDRAULICS (LEFT WING)

HOSES #3, #6, & #8 CONTINUE
ON THE CENTER AND RIGHT WING FRAMES.



06861

**5055 FIELD CULTIVATOR
SERVICE PARTS**

41

LIFT HYDRAULICS (LEFT WING)

ITEM	NUMBER	QTY	DESCRIPTION
1	SN10816		CYLINDER, 3 1/2" X 10" REPH (22 1/4"CPC) ORB CROSS, 3000 PSI
2	SN4454		90 DEG STR THREAD ELBOW, 3/4"-16
3	SN4290002		HOSE, 3/8" X 290" L, FEMALE ENDS (44')
	SN4314002		HOSE, 3/8" X 314" L, FEMALE ENDS (48' & 50')
	SN4350002		HOSE, 3/8" X 350" L, FEMALE ENDS(54')
	SN4374002		HOSE, 3/8" X 374" L, FEMALE ENDS (58')
	SN4398002		HOSE, 3/8" X 398" L, FEMALE ENDS (62')
4	SN4191002		HOSE, 3/8" X 191" L, FEMALE ENDS (44' - 50')
	SN4215002		HOSE, 3/8" X 215" L, FEMALE ENDS (54' & 58')
	SN4239002		HOSE, 3/8" X 239" L, FEMALE ENDS (62')
5	SN4191002		HOSE, 3/8" X 191" L, FEMALE ENDS (44')
	SN4215002		HOSE, 3/8" X 215" L, FEMALE ENDS (48' - 54')
	SN4239002		HOSE, 3/8" X 239" L, FEMALE ENDS (58' & 62')
6	SN4181002		HOSE, 3/8" X 181" L, FEMALE ENDS (44' - 50')
	SN4205002		HOSE, 3/8" X 205" L, FEMALE ENDS (54'-62')
7	SN4062002		HOSE, 3/8" X 62" L, FEMALE ENDS
8	SN4367002		HOSE, 3/8" X 367" L, FEMALE ENDS (44' - 50')
	SN4403002		HOSE, 3/8" X 403" L, FEMALE ENDS (54'-62')
9	SN2487		HEX BOLT, 3/8"-16 X 2 1/2", GR 5, Y/D
10	SN5302		PIPE CLAMP, 3/8" BOLT HOLE, Y/D
11	SN3567		LOCK NUT, 3/8"-16 HEX NYLON INSERT, GR 2, Y/D
12	SN176		LOCK WASHER,3/8" SPLIT TYPE MED,Y/D
13	SN10815		CYLINDER, 3 3/4" X 10" REPH (22 1/4"CPC) ORB CROSS, 3000 PSI
14	SN10814		CYLINDER, 4" X 10" REPH (22 1/4" CPC) ORB CROSS, 3000 PSI
15	SN474		HEX BOLT, 3/8"-16 X 2", GR 5 Y/D
16	SN3984		HEX BOLT, 3/8"-16 X 1 1/4",GR 5, Y/D
17	SN5339		PIN, 1" X 4 1/16" (3"), Y/D
18	SN3164		ROLL PIN, 5/16" X 2" SPIRAL MEDIUM DUTY, Y/D
19	SN12099R		EXTENSION, HOSE MOUNT
20	SN177		HEX NUT, 3/8"-16 FULL, GR 2, Y/D
21	SN175		HEX BOLT, 3/8"-16 X 1 1/2",GR 5, Y/D

WARNING
THESE PARTS ARE IMPORTANT TO THE SAFETY
OF THIS EQUIPMENT AND THOSE WHO OPERATE
IT. USE ONLY EXACT REPLACEMENT PARTS TO
PREVENT HYDRAULIC FAILURE. BEFORE
REPLACING THESE PARTS, REVIEW AND
FOLLOW THE INSTRUCTIONS IN THE SAFETY
AND OPERATING SECTIONS OF THIS MANUAL.

I0006861

**5055 FIELD CULTIVATOR
SERVICE PARTS**

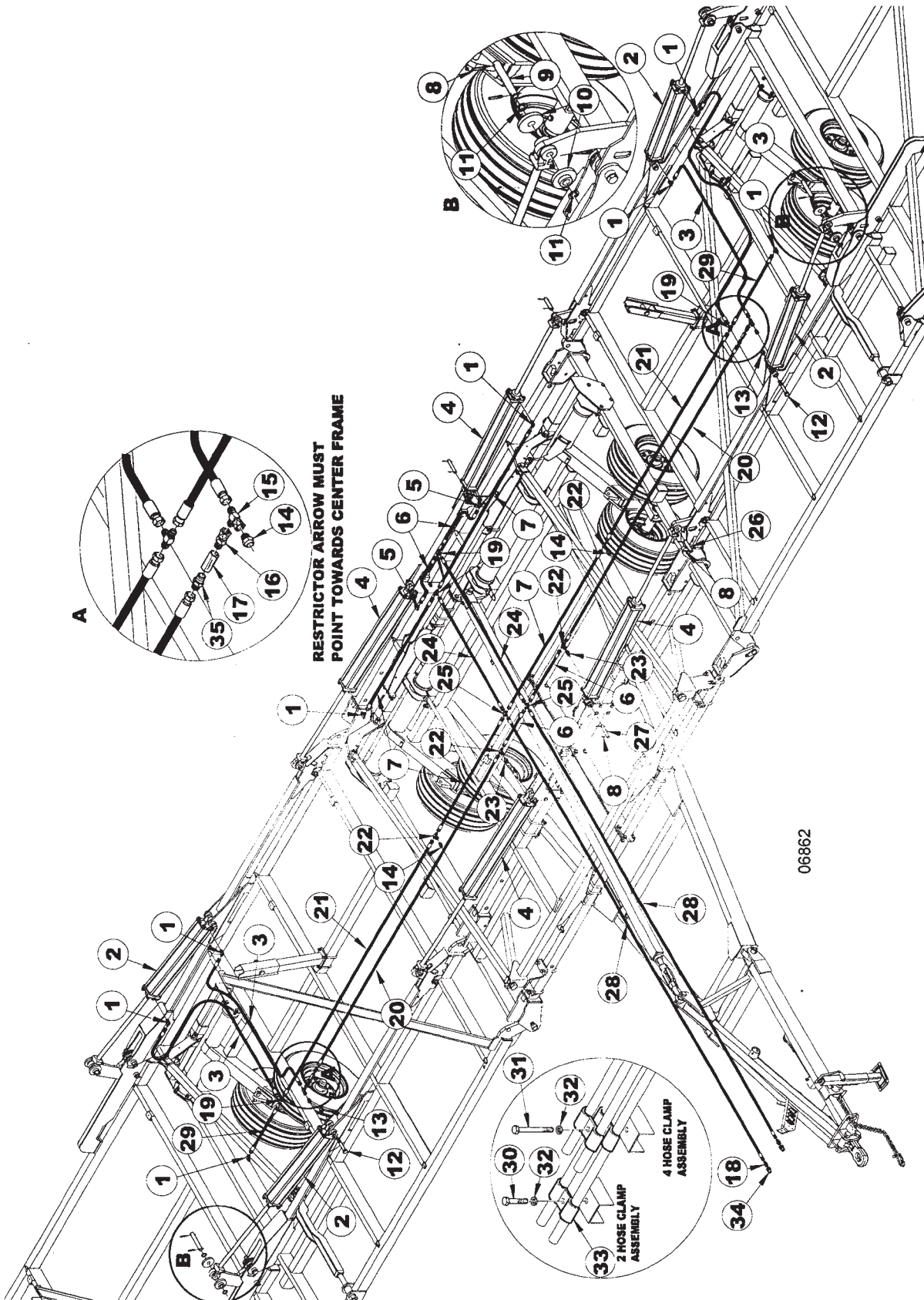
43

44', 48', & 50' FOLD HYDRAULICS

ITEM	NUMBER	QTY	DESCRIPTION
1	SN4455		90 DEG STR THD ELBOW, 3/4"-16 MF X 3/4"-16 MOR W/1/16" REST
2	SN4475		MALE PIPE TO FEMALE TUBE, 1/2-14 MPTX 3/4"-16 FF
3	SN4476		IN LINE RESTRICTOR, 1/2"-14 FPT, W/1/16" REST
4	SN2425		MALE CONNECTOR, 3/4"-16 MF X 1/2-14 MPT
5	SN10811		CYLINDER, 4" X 36" (46 5/8" CPC) ORBCROSS, 3000 PSI
6	SN4454		90 DEG STR THREAD ELBOW, 3/4"-16
7	SN2429		UNION TEE, 3/4"-16 MF
8	SN4014002		HOSE, 3/8" X 14" L, FEMALE ENDS
9	SN4048002		HOSE, 3/8" X 48" L, FEMALE ENDS
10	SN4070002		HOSE, 3/8" X 70" L, FEMALE ENDS
11	SN4482		UNION CROSS, 3/4"-16 MF
12	SN4473		SWIVEL NUT BRANCH TEE, 3/4"-16 MF X 3/4"-16 FF
13	SN4474		STR THD RUN TEE, 3/4-16 MF X 3/4-16 MOR
14	SN4463		STR THD CONNECTOR 3/4-16MF X 3/4-16 MOR
15	SN6934		VALVE, COUNTERBALANCE
16	SN4102002		HOSE, 3/8" X 102" L, FEMALE ENDS (44')
	SN4126002		HOSE, 3/8X126 L, FEMALE ENDS (48' & 50')
17	SN4153002		HOSE, 3/8X153 L, FEMALE ENDS (44')
	SN4177002		HOSE, 3/8X177 L, FEMALE ENDS (48' & 50')
18	SN4234002		HOSE, 3/8" X 234" L, FEMALE ENDS
19	SN7910		MALE CONNECTOR, 3/4"-16 MF X 1/2-14 MPT W/1/8" REST
20	SN3253		HYDRAULIC COUPLER, MALE HALF
21	SN10812		CYLINDER, 4" X 30" (40 1/4" CPC) ORBCROSS, 3000 PSI
22	SN3984		HEX BOLT, 3/8"-16 X 1 1/4",GR 5, Y/D
23	SN474		HEX BOLT, 3/8"-16 X 2", GR 5 Y/D
24	SN176		LOCK WASHER,3/8" SPLIT TYPE MED,Y/D
25	SN5302		PIPE CLAMP, 3/8" BOLT HOLE, Y/D
26	SN109		HEX BOLT, 1"-8 X 7", GR 5, Y/D
27	SN3938		LOCK NUT, 1"-8 HEX NYLON
28	SN3164		ROLL PIN, 5/16" X 2" SPIRAL MEDIUM DUTY, Y/D
29	SN5252		PIN, 1" X 6 9/16" (5 1/4") Y/D
30	SN2073		MACHINE BUSHING, 1 1/2" OD X 1" ID, 14 GA, Z/P
31	SN6529		ROLLER, FOLD LINK
32	SN5339		PIN, 1" X 4 1/16" (3"), Y/D
33	SN5815		HEX BOLT, 5/16"-18 X 2 1/4", GR 5,
34	SN6378		LOCK NUT, 5/16" HEX NYLON
35	SN505		HEX BOLT, 1/4"-20 X 1", GR 2, Y/D
36	SN506		FLAT WASHER, 1/4", Y/D
37	SN3881		LOCK NUT, 1/4"-20 HEX NYLON INSERT, GR 2, Y/D
38	SN12128R		BRACKET, VALVE MOUNTING
39	SN4054002		HOSE, 3/8" X 54" L, FEMALE ENDS WARNING THESE PARTS ARE IMPORTANT TO THE SAFETY OF THIS EQUIPMENT AND THOSE WHO OPERATE IT. USE ONLY EXACT REPLACEMENT PARTS TO PREVENT HYDRAULIC FAILURE. BEFORE REPLACING THESE PARTS, REVIEW AND FOLLOW THE INSTRUCTIONS IN THE SAFETY AND OPERATING SECTIONS OF THIS MANUAL.

5055 FIELD CULTIVATOR SERVICE PARTS

54', 58', & 62' FOLD HYDRAULICS



**5055 FIELD CULTIVATOR
SERVICE PARTS**

45

54', 58', & 62' FOLD HYDRAULICS

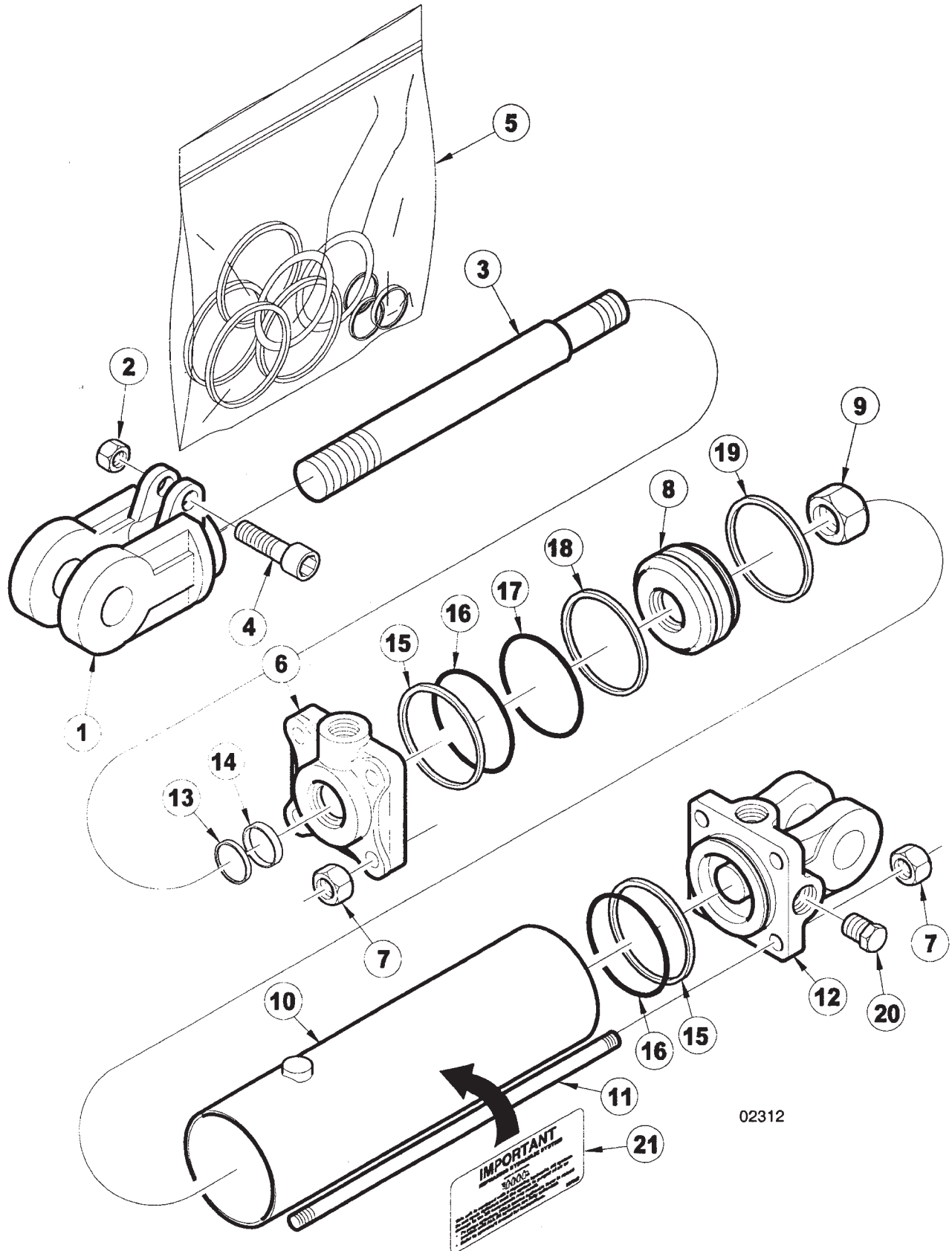
ITEM	NUMBER	QTY	DESCRIPTION
1	SN4455		90 DEG STR THD ELBOW, 3/4"-16 MF X 3/4"-16 MOR W/1/16" REST
2	SN10812		CYLINDER, 4" X 30" (40 1/4" CPC) ORBCROSS, 3000 PSI
3	SN4106002		HOSE, 3/8" X 106" L, FEMALE ENDS
4	SN10811		CYLINDER, 4" X 36" (46 5/8" CPC) ORBCROSS, 3000 PSI
5	SN4454		90 DEG STR THREAD ELBOW, 3/4"-16
6	SN4024002		HOSE, 3/8" X 24" L, FEMALE ENDS(54'-62')
7	SN4060002		HOSE, 3/8" X 60" L, FEMALE ENDS(54'-62')
8	SN3164		ROLL PIN, 5/16" X 2" SPIRAL MEDIUM DUTY Y/D
9	SN5252		PIN, 1" X 6 9/16" (5 1/4") Y/D
10	SN6529		ROLLER, FOLD LINK
11	SN2073		MACHINE BUSHING, 1 1/2" OD X 1" ID,
12	SN109		HEX BOLT, 1"-8 X 7", GR 5, Y/D
13	SN3938		LOCK NUT, 1"-8 HEX NYLON INSERT
14	SN4465		STRAIGHT THD CONNECTOR 3/4"-16 MF X 3/4"-16 MOR W/1/16" REST
15	SN6380		SWIVEL NUT RUN TEE, 3/4"-16 MF X 3/4"-16 FF
16	SN4475		MALE PIPE TO FEMALE TUBE, 1/2-14 MPTX 3/4"-16 FF
17	SN4476		IN LINE RESTRICTOR, 1/2"-14 FPT, W/ 1/16" REST
18	SN7910		MALE CONNECTOR, 3/4"-16 MF X 1/2-14MPT W/1/8" REST
19	SN2429		UNION TEE, 3/4"-16 MF
20	SN4126002		HOSE, 3/8" X 126" L, FEMALE ENDS (54')
	SN4150002		HOSE, 3/8" X 150" L, FEMALE ENDS (58'-62')
21	SN4106002		HOSE, 3/8" X 106" L, FEMALE ENDS (54')
	SN4130002		HOSE, 3/8" X 130" L, FEMALE ENDS (58'-62')
22	SN4473		SWIVEL NUT BRANCH TEE, 3/4"-16 MF X 3/4"-16 FF
23	SN4463		STRAIGHT THD.CONNECTOR, 3/4"-16
24	SN4087002		HOSE, 3/8" X 87" L, FEMALE ENDS (54'-62')
25	SN4482		UNION CROSS, 3/4"-16 MF
26	SN5339		PIN, 1" X 4 1/16" (3"), Y/D
27	SN5252		PIN, 1" X 6 9/16" (5 1/4") Y/D
28	SN4240002		HOSE, 3/8" X 240" L, FEMALE ENDS (54'-62')
29	SN4028002		HOSE, 3/8" X 28" L, FEMALE ENDS (54'-62')
30	SN3984		HEX BOLT, 3/8"-16 X 1 1/4",GR 5, Y/D
31	SN474		HEX BOLT, 3/8"-16 X 2", GR 5 Y/D
32	SN176		LOCK WASHER,3/8" SPLIT TYPE MED,Y/D
33	SN5302		PIPE CLAMP, 3/8" BOLT HOLE, Y/D
34	SN3253		HYDRAULIC COUPLER, MALE HALF
35	SN2425		MALE CONNECTOR, 3/4"-16 MF X 1/2-14 MPT

WARNING
THESE PARTS ARE IMPORTANT TO THE SAFETY
OF THIS EQUIPMENT AND THOSE WHO OPERATE
IT. USE ONLY EXACT REPLACEMENT PARTS TO
PREVENT HYDRAULIC FAILURE. BEFORE
REPLACING THESE PARTS, REVIEW AND
FOLLOW THE INSTRUCTIONS IN THE SAFETY
AND OPERATING SECTIONS OF THIS MANUAL.

I0006862

5055 FIELD CULTIVATOR
SERVICE PARTS

3 1/2" X 10" REPHASING CYLINDER (10816R)



02312

**5055 FIELD CULTIVATOR
SERVICE PARTS**

47

3 1/2" X 10" REPHASING CYLINDER (10816R)

ITEM	NUMBER	QTY	DESCRIPTION
1	SN8610-1		CLEVIS, 1 1/4" THREADS, 1" PIN W/BUSHING, CROSS
2	SN8671-1		CAPSCREW NUT, 5/16" THREADS CROSS
3	SN8658-1		ROD, 1 1/4" DIA, 10" REPHASING,CROSS
4	SN8631-1		CAPSCREW, CROSS
5	SN8775-1		SEAL KIT, 3 1/2", 1 1/4" ROD, REPHASING CROSS
6	SN8657-10		HEAD, 3 1/2", 1 1/4" ROD REPHASING, CROSS (ORB)
7	SN8863-1		TIE ROD NUT, 9/16" THREADS CROSSING CROSS
8	SN8660-1		PISTON, 3 1/2" W/1" HOLE REPHASING, CROSS
9	SN8683-1		PISTON NUT, 1" CROSS
10	SN8659-1		TUBE, 3 1/2" X 10" REPHASING, CROSS
11	SN8928-1		TIE ROD BOLT, 3 1/2" X 10" REPHASING, CROSS
12	SN8927-10		BASE, 3 1/2" (ORB 1" PIN) REPHASING, CROSS
13			* WIPER
14			* U-CUP
15			* BACKUP
16			* O-RING
17			* O-RING
18			* TEFLON RING
19			* WEAR RING
20	SN4458		PLUG, 3/4"-16 MOR
21	SN997052		SYSTEMS MUST BE BLED OF AIR

* AVAILABLE IN THE SEAL KIT ONLY.

I0002312

**5055 FIELD CULTIVATOR
SERVICE PARTS**

49

3 3/4" X 10" REPHASING CYLINDER (10815R)

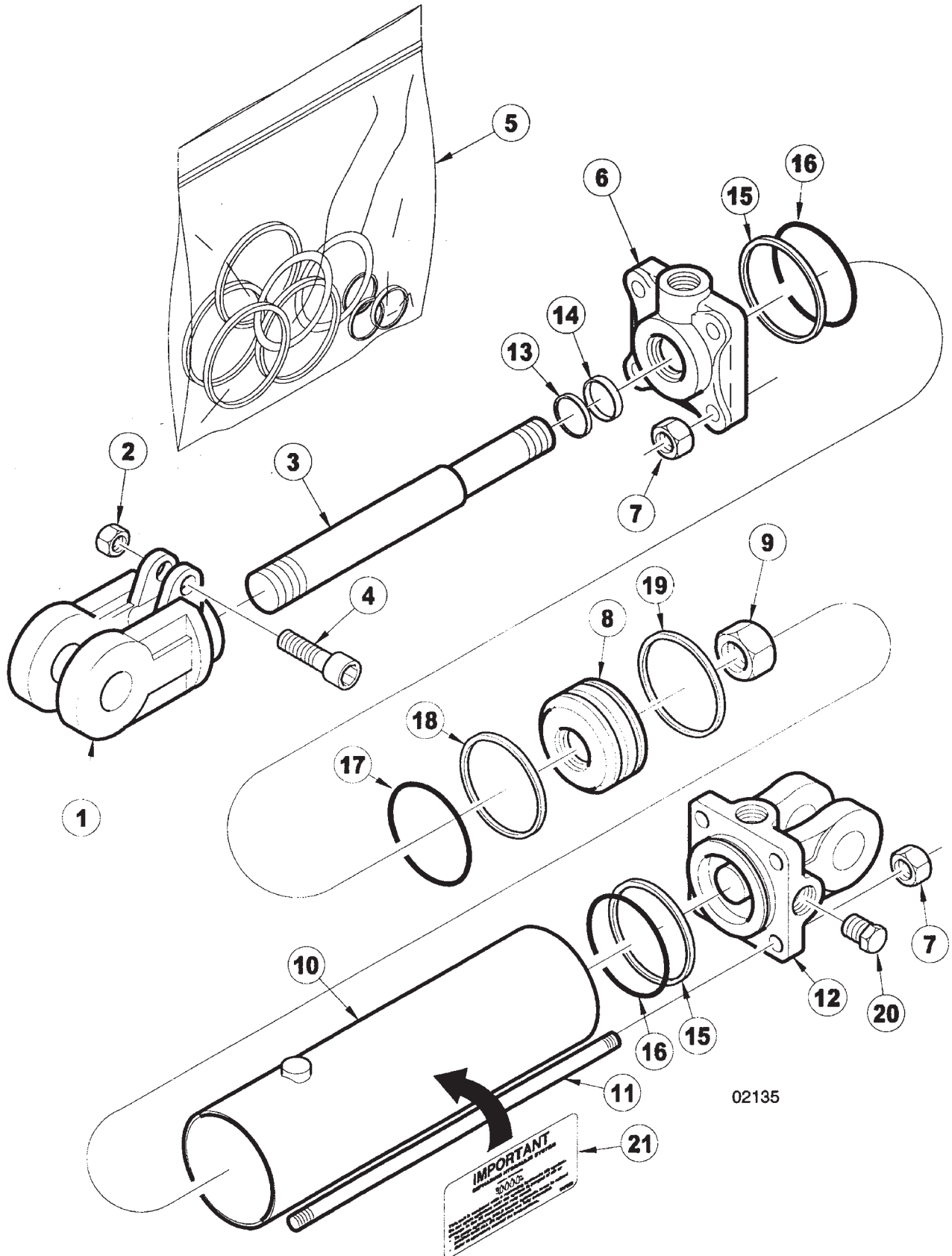
ITEM	NUMBER	QTY	DESCRIPTION
1	SN8610-1		CLEVIS, 1 1/4" THREADS, 1" PIN W/BUSHING, CROSS
2	SN8671-1		CAPSCREW NUT, 5/16" THREADS CROSS
3	SN8925-1		ROD, 1 3/8" DIA, 10" REPHASING CROSS
4	SN8631-1		CAPSCREW, CROSS
5	SN8776-1		SEAL KIT, 3 3/4", 1 3/8" ROD, REPHASING CROSS
6	SN8736-10		HEAD, 3 3/4", 1 3/8" ROD
7	SN8864-1		TIE ROD NUT, 5/8" THREADS
8	SN8655-1		PISTON, 3 3/4" W/1" HOLE REPHASING, CROSS
9	SN8683-1		PISTON NUT, 1" CROSS
10	SN8828-1		TUBE, 3 3/4" X 10" REPHASING CROSS E
11	SN8654-1		TIE ROD BOLT, 4" X 10" REPHASING, CROSS
12	SN8656-10		BASE, 3 3/4" (ORB), 1" PIN REPHASING, CROSS
13			* WIPER
14			* U-CUP
15			* BACKUP
16			* O-RING
17			* O-RING
18			* TEFLON RING
19			* WEAR RING
20	SN4458		PLUG, 3/4"-16 MOR
21	SN997052		SYSTEMS MUST BE BLED OF AIR

* AVAILABLE IN THE SEAL KIT ONLY.

I0002135

5055 FIELD CULTIVATOR
SERVICE PARTS

4" X 10" REPHASING CYLINDER (10814R)



5055 FIELD CULTIVATOR
SERVICE PARTS

51

4" X 10" REPHASING CYLINDER (10814R)

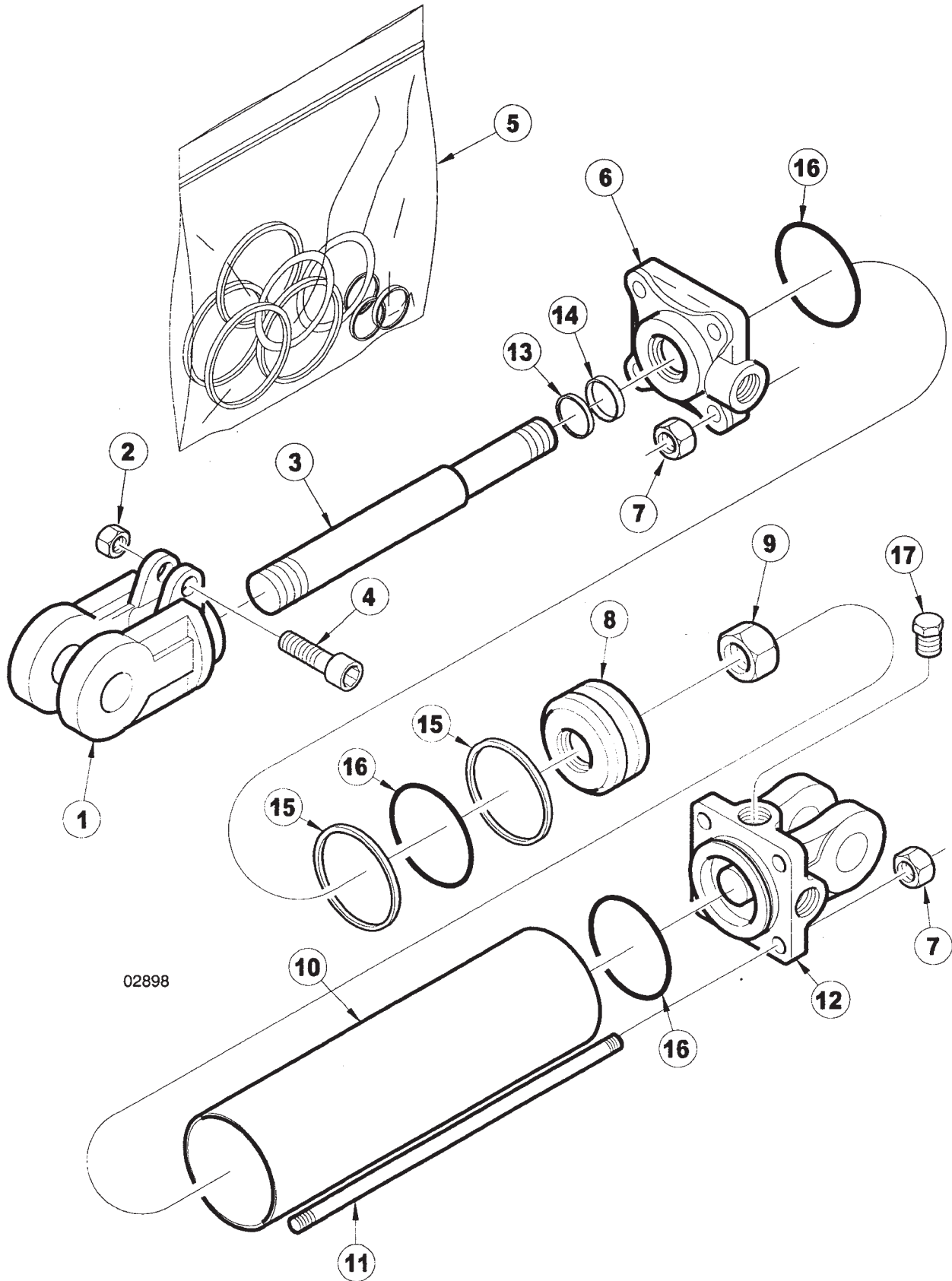
ITEM	NUMBER	QTY	DESCRIPTION
1	SN8610-1		CLEVIS, 1 1/4" THREADS, 1" PIN W/BUSHING, CROSS
2	SN8671-1		CAPSCREW NUT, 5/16" THREADS CROSS
3	SN8925-1		ROD, 1 3/8" DIA, 10" REPHASING CROSS
4	SN8631-1		CAPSCREW, CROSS
5	SN8781-1		SEAL KIT, 4", 1 3/8" ROD
6	SN8739-10		HEAD, 4" 1 3/8" ROD, REPHASING CROSS
7	SN8864-1		TIE ROD NUT, 5/8" THREADS
8	SN8653-1		PISTON, 4" W/1" HOLE, REPHASING CROSS
9	SN8683-1		PISTON NUT, 1" CROSS
10	SN8826-1		TUBE, 4" X 10" REPHASING CROSS
11	SN8654-1		TIE ROD BOLT, 4" X 10" REPHASING, CROSS
12	SN8670-10		BASE, 4" (ORB) CROSS
13			* WIPER
14			* U-CUP
15			* BACKUP
16			* O-RING
17			* O-RING
18			* TEFLON RING
19			* WEAR WING
20	SN4458		PLUG, 3/4"-16 MOR
21	SN997052		SYSTEMS MUST BE BLED OF AIR

* AVAILABLE IN THE SEAL KIT ONLY.

I0002135

5055 FIELD CULTIVATOR
SERVICE PARTS

4" X 30" HYDRAULIC CYLINDER (10812R)



5055 FIELD CULTIVATOR
SERVICE PARTS

53

4" X 30" HYDRAULIC CYLINDER (10812R)

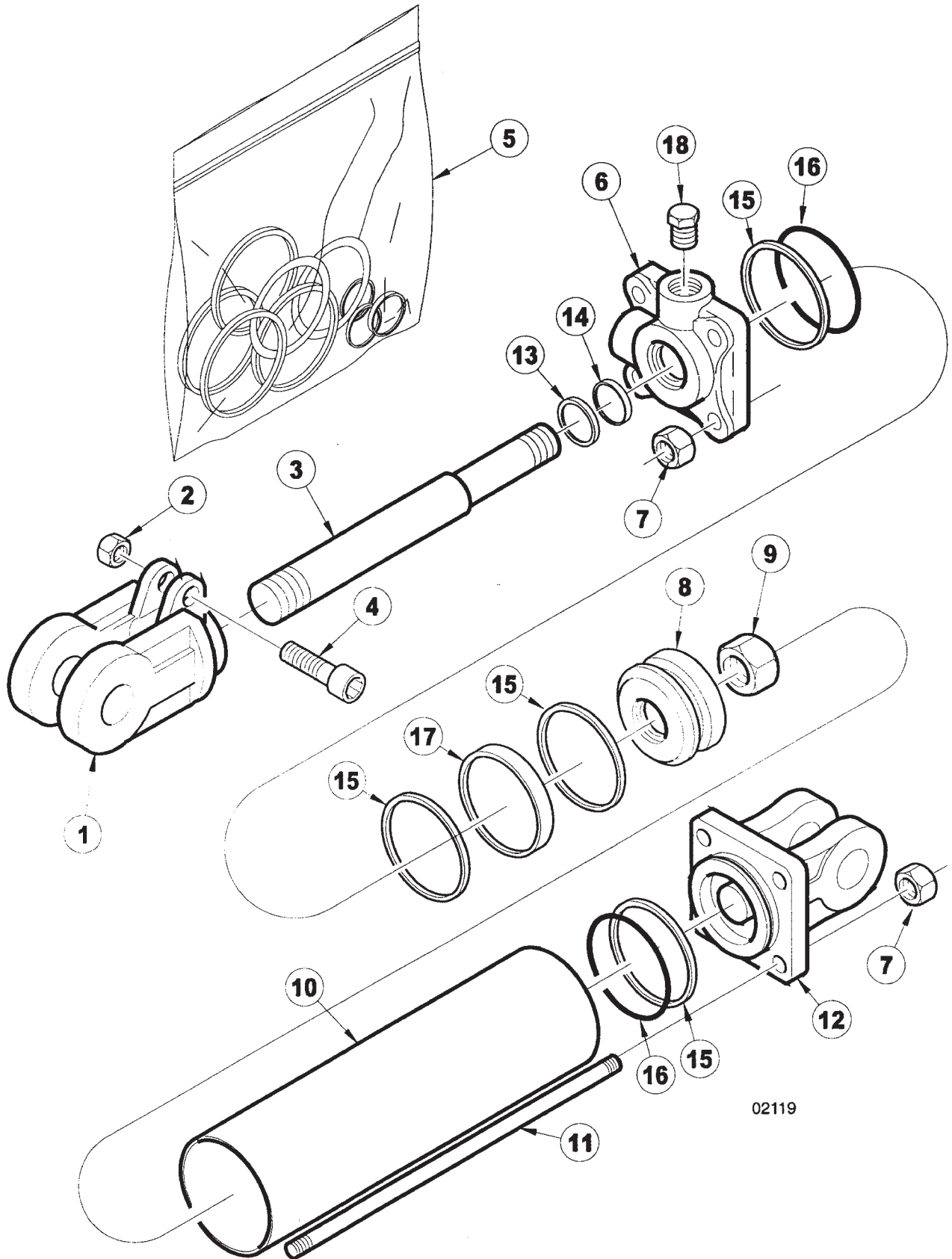
ITEM	NUMBER	QTY	DESCRIPTION
1	SN8616-1		CLEVIS, 1 1/2" THREADS, 1" PIN CROSS GS, 4" X 8", CROSS
2	SN8671-1		CAPSCREW NUT, 5/16" THREADS CROSS
3	SN8923-1		ROD, 1 1/2" DIA, 30", CROSS
4	SN8631-1		CAPSCREW, CROSS
5	SN8612-1		SEAL KIT, 4", 1 1/2" ROD, CROSS
6	SN8273-1		HEAD, 4", 1 1/2" ROD, CROSS
7	SN8864-1		TIE ROD NUT, 5/8" THREADS
8	SN8682-1		PISTON, 4" W/1" HOLE, CROSS
9	SN8683-1		PISTON NUT, 1" CROSS
10	SN8837-1		TUBE, 4" X 30" CROSS
11	SN8602-1		TIE ROD BOLT, 4" X 30", CROSS
12	SN8670-10		BASE, 4" (ORB) CROSS
13			* WIPER
14			* U-CUP
15			* BACKUP
16			* O-RING
17	SN4458		PLUG, 3/4"-16 MOR

* AVAILABLE IN THE SEAL KIT ONLY.

I0002898

5055 FIELD CULTIVATOR
SERVICE PARTS

4" X 36" HYDRAULIC CYLINDER (10811R)



02119

5055 FIELD CULTIVATOR
SERVICE PARTS

55

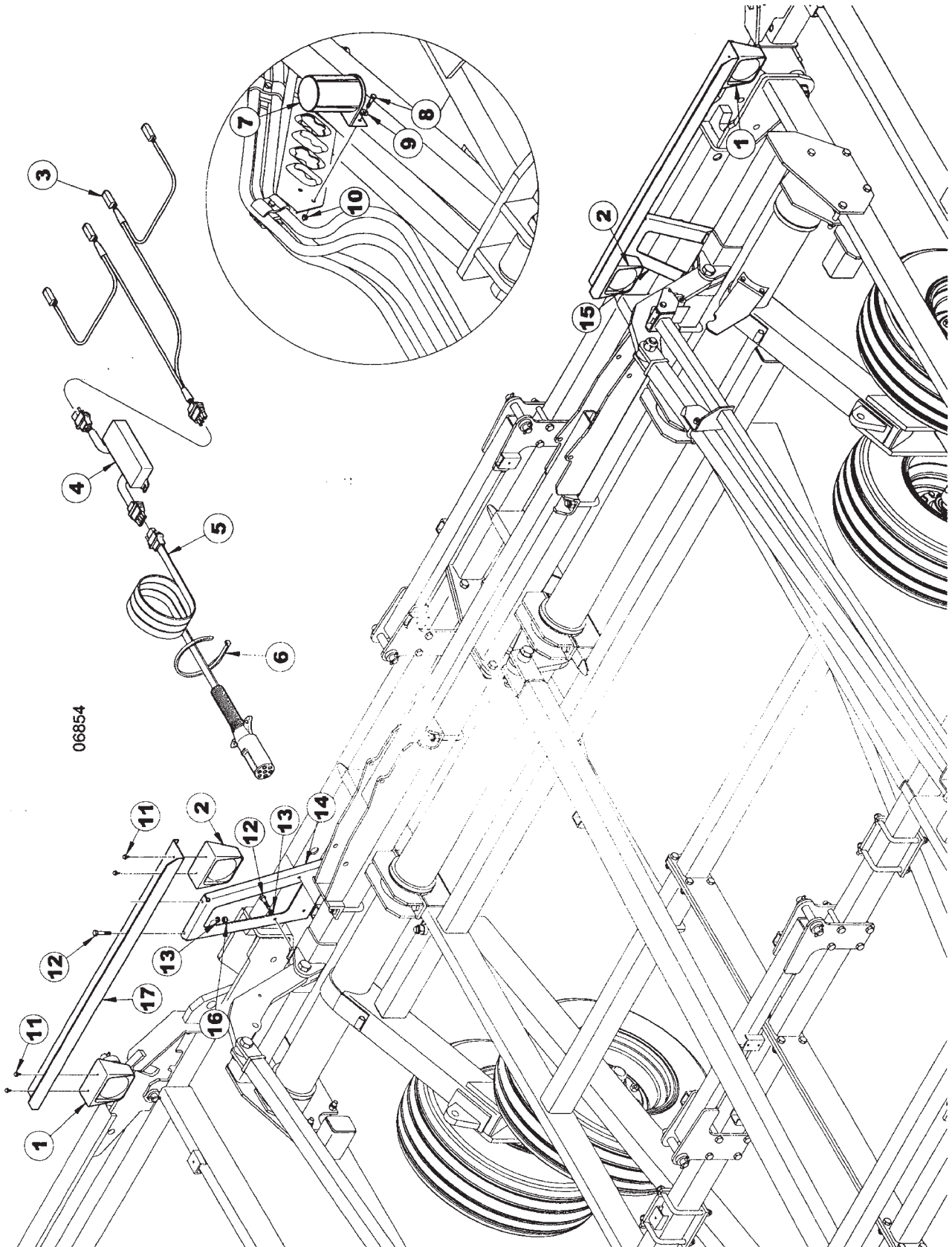
4" X 36" HYDRAULIC CYLINDER (10811R)

ITEM	NUMBER	QTY	DESCRIPTION
1	SN8616-1		CLEVIS, 1 1/2" THREADS, 1" PIN CROSS GS, 4" X 8", CROSS
2	SN8671-1		CAPSCREW NUT, 5/16" THREADS CROSS
4	SN8631-1		CAPSCREW, CROSS
5	SN8612-1		SEAL KIT, 4", 1 1/2" ROD, CROSS
6	SN8273-1		HEAD, 4", 1 1/2" ROD, CROSS
7	SN8864-1		TIE ROD NUT, 5/8" THREADS
8	SN8682-1		PISTON, 4" W/1" HOLE, CROSS
9	SN8683-1		PISTON NUT, 1" CROSS
10	SN8838-1		TUBE, 4" X 36" CROSS
11	SN8684-1		TIE ROD BOLT, 4" X 36", CROSS
12	SN8670-10		BASE, 4" (ORB) CROSS
13			* WIPER
14			* U-CUP
15			* BACKUP
16			* O-RING
17			* O-RING
18	SN4458		PLUG, 3/4"-16 MOR

* AVAILABLE IN THE SEAL KIT ONLY.

I0002119

LIGHT KIT ASSEMBLY



5055 FIELD CULTIVATOR
SERVICE PARTS

57

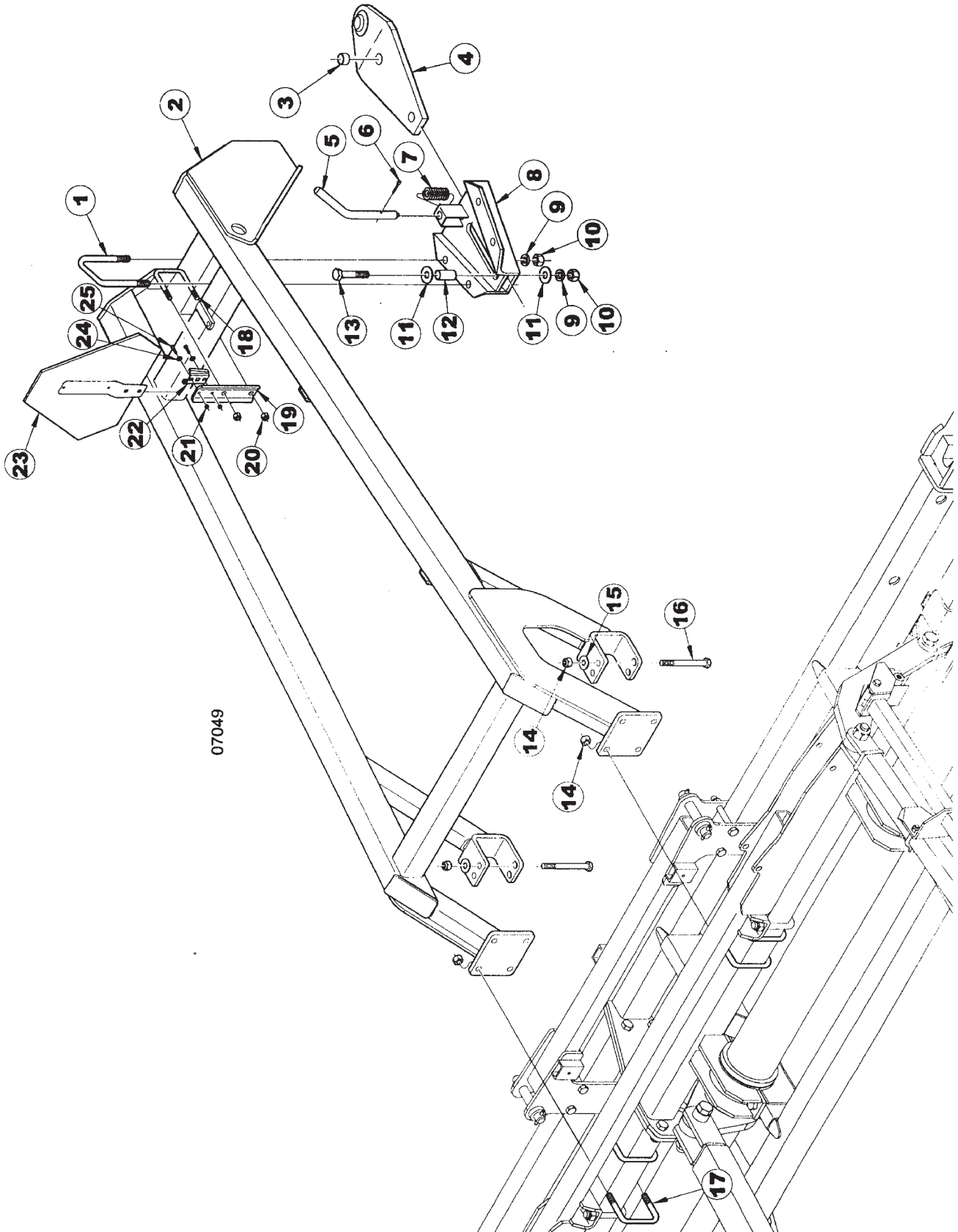
LIGHT KIT ASSEMBLY

ITEM	NUMBER	QTY	DESCRIPTION
1	SN10007		LAMP, SINGLE AMBER FRT/REAR
2	SN10486		SINGLE AG LAMP, RED/BLACK W/BRAKE
3	SN10461		HARNESS, AG 8' 6" WISHBONE
4	SN10460		ASSY, AG MODULE
5	SN10394		HARNESS, AG 30' EXTENSION
6	SN2587		PLASTIC HOSE STRAP, 21 1/2" L
7	SN10012		HOLDER, 7-PIN CONNECTOR
8	SN2568		HEX BOLT, 1/4"-20 X 3/4", GR 5 Y/D
9	SN506		FLAT WASHER, 1/4", Y/D
10	SN3881		LOCK NUT, 1/4"-20 HEX NYLON INSERT, GR 2, Y/D
11	SN9965		SCREW, HEX HEAD, 1/4"-14 X 3/4" TYPE AB, Y/D
12	SN178		HEX BOLT, 3/8"-16 X 1", GR 5, Y/D
13	SN176		LOCK WASHER, 3/8" SPLIT TYPE MED, Y/D
14	SN10651R		BRACKET, LIGHT
15	SN10652R		BRACKET, LIGHT
16	SN177		HEX NUT, 3/8"-16 FULL, GR 2, Y/D
17	SN10650R		BAR, LIGHT (RIGHT)
	SN10795R		BAR, LIGHT (LEFT)

I0006854

5055 FIELD CULTIVATOR
SERVICE PARTS

OPTIONAL REARTOW HITCH ASSEMBLY
W/HITCH SLIDE & BALL JOINT



**5055 FIELD CULTIVATOR
SERVICE PARTS**

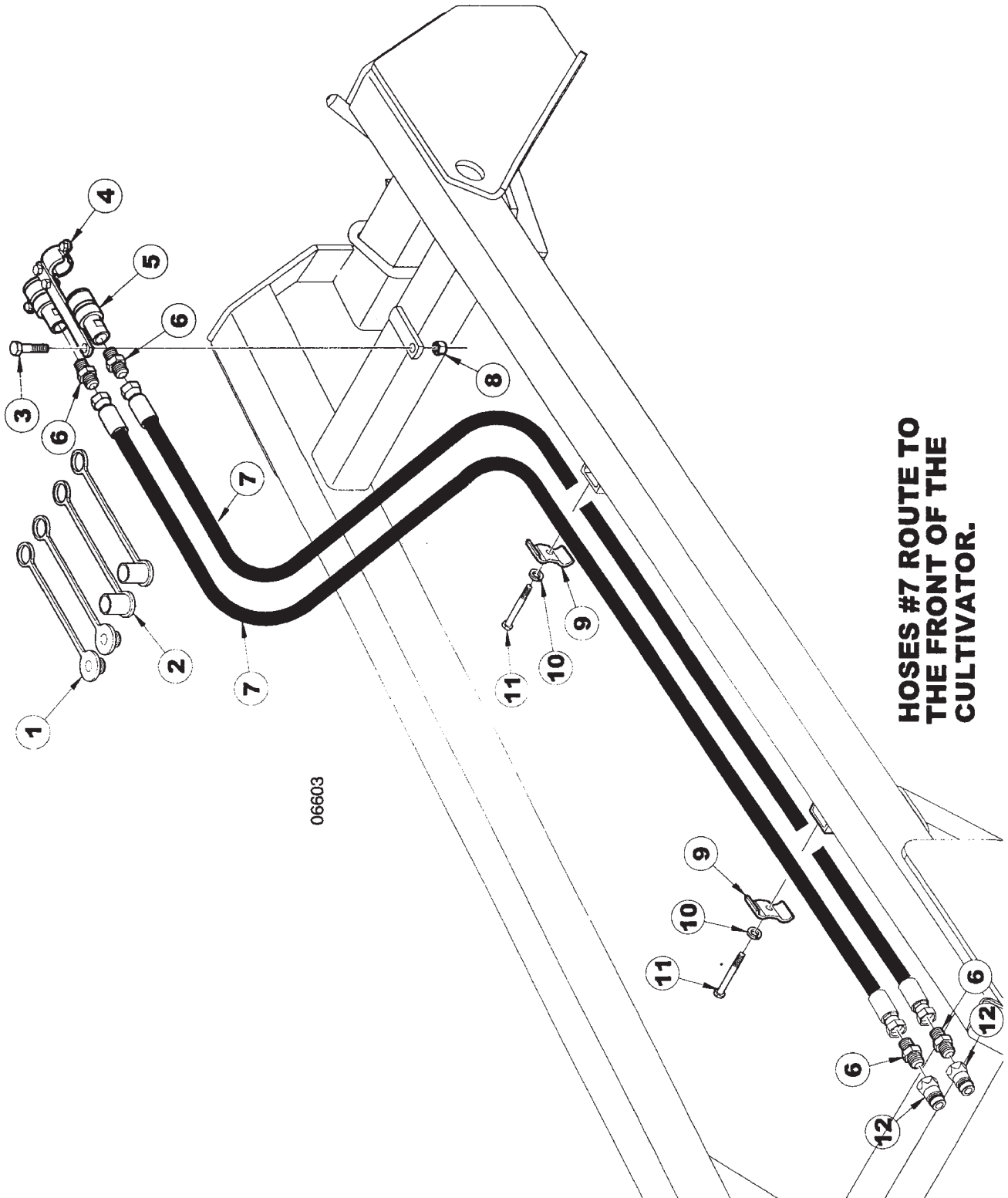
59

**OPTIONAL REAR TOW HITCH ASSEMBLY
W/HITCH SLIDE & BALL JOINT**

ITEM	NUMBER	QTY	DESCRIPTION
1	SN198		U-BOLT, 3/4"-10 X 5 1/2" X 5" W, GR 5, Y/D
2	SN12602R		HITCH, REAR TOW
3	SN3367		WEAR BUSHING, 1"ID X 1 1/4"OD 3/4" L
4	SN4740		HITCH MOUNT W/BALL JOINT
5	SN3365		PIN, 7/8" SPCL, Y/D
6	SN1609		COTTER PIN, 3/16" X 1 1/2"
7	SN3366		HITCH SPRING
8	SN3363		HITCH SLIDE
9	SN1040		LOCK WASHER, 3/4" SPLIT TYPE MED, Y/D
10	SN106		HEX NUT, 3/4"-10 FULL, GR 5, Y/D
11	SN893		FLAT WASHER, 3/4" Y/D
12	SN3364		BUSHING, 13/16"ID X 2" L
13	SN105		HEX BOLT, 3/4"-10 X 3 1/2", GR 5, Y/D
14	SN669-1		LOCK NUT, 5/8" HEX NYLON
15	SN5810		WASHER, 1 5/16" OD X 11/16" ID .149" THICK, HARDENED, Y/D
16	SN1672		HEX BOLT, 5/8"-11 X 6", GR 5, Y/D
17	SN10703		U-BOLT, 5/8"-11 X 4 3/4" X 4 3/16" W, GR 5, Y/D
18	SNBT10116		U-BOLT, 1/2"-13 X 3 3/4" X 3 5/8" W
19	SN12254R		BRACKET, SMV
20	SN3735		LOCK NUT, 1/2"-13 UNC HEX CENTER, GR 2, Y/D
21	SN3881		LOCK NUT, 1/4"-20 HEX NYLON INSERT,
22	SN2566		S.M.V. SOCKET
23	SN7001		SMV EMBLEM
24	SN506		FLAT WASHER, 1/4", Y/D
25	SN2568		HEX BOLT, 1/4"-20 X 3/4", GR 5 Y/D
	SN4739		HITCH ASSEMBLY (ITEMS 3-13)
	SN12603		HITCH, REAR TOW ASSY W/4739 HITCH SLIDE & BALL JOINT (ITEMS 1-20)

I0007049

OPTIONAL REAR TOW HITCH HYDRAULICS



HOSES #7 ROUTE TO THE FRONT OF THE CULTIVATOR.

06603

5055 FIELD CULTIVATOR
SERVICE PARTS

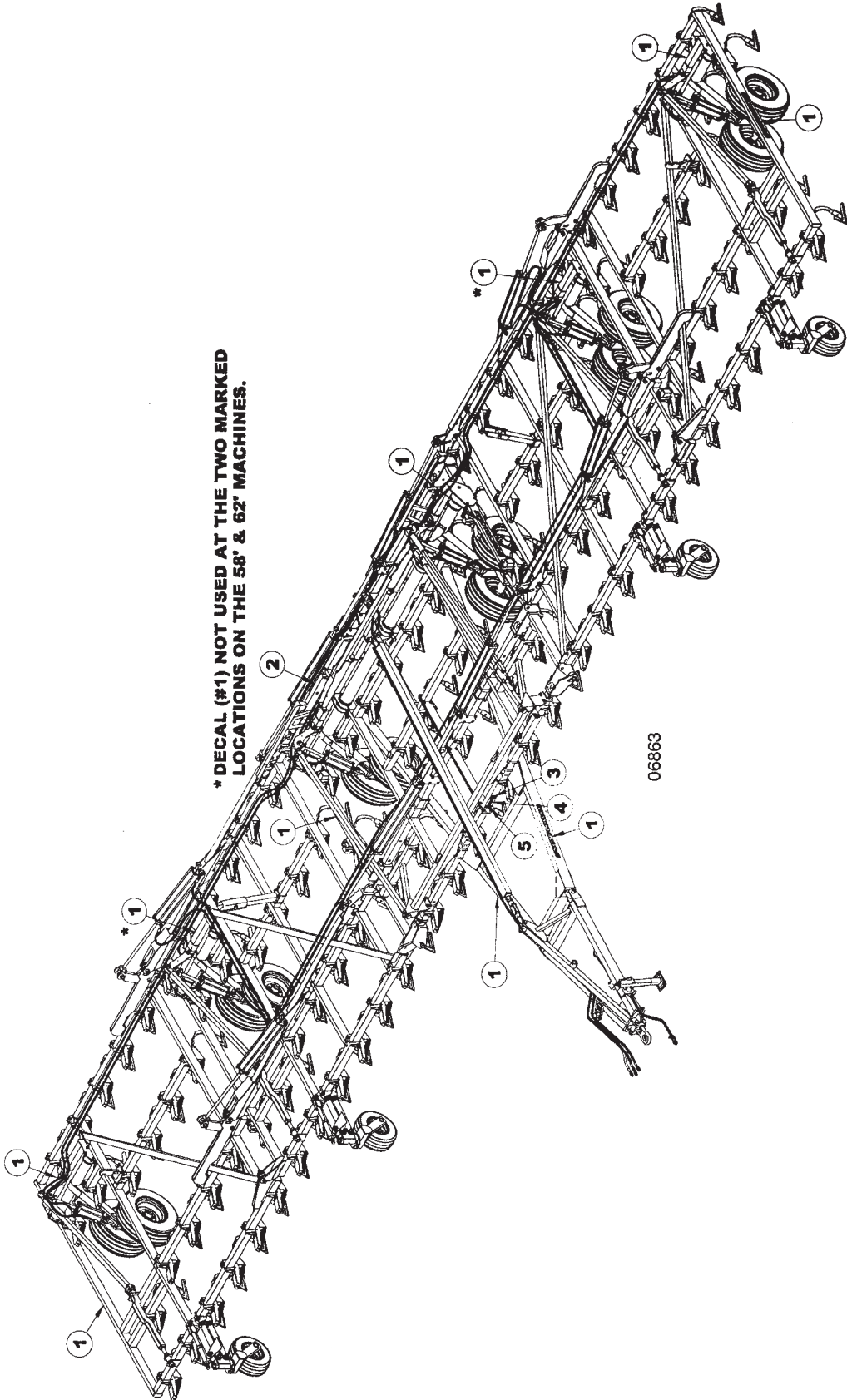
61

OPTIONAL REARTOW HITCH HYDRAULICS

ITEM	NUMBER	QTY	DESCRIPTION
1	SN10742		HYDRAULIC DUST CAP
2	SN10741		HYDRAULIC DUST PLUG
3	SN194		HEX BOLT, 1/2"-13 X 1 1/2",GR 5, Y/D,USA
4	SN10740		HYDRAULIC CLAMP
5	SN10739		HYDRAULIC COUPLER, FEMALE THREAD
6	SN2425		MALE CONNECTOR, 3/4"-16 MF X 1/2-14 MPT
7	SN4480002		HOSE, 3/8" X 480" L, FEMALE ENDS
8	SN2096		LOCK NUT, 1/2"-13 HEX NYLON INSERT
9	SN5302		PIPE CLAMP, 3/8" BOLT HOLE, Y/D
10	SN176		LOCK WASHER,3/8" SPLIT TYPE MED,Y/D
11	SN3984		HEX BOLT, 3/8"-16 X 1 1/4",GR 5, Y/D
12	SN3253		HYDRAULIC COUPLER, MALE HALF
	SN10738		HYDRAULIC COUPLER BREAKAWAY KIT (ITEMS 1, 2, 4, 5, & 12)

I0006603

DECAL PLACEMENT



* DECAL (#1) NOT USED AT THE TWO MARKED
LOCATIONS ON THE 58' & 62' MACHINES.

06863

**5055 FIELD CULTIVATOR
SERVICE PARTS**

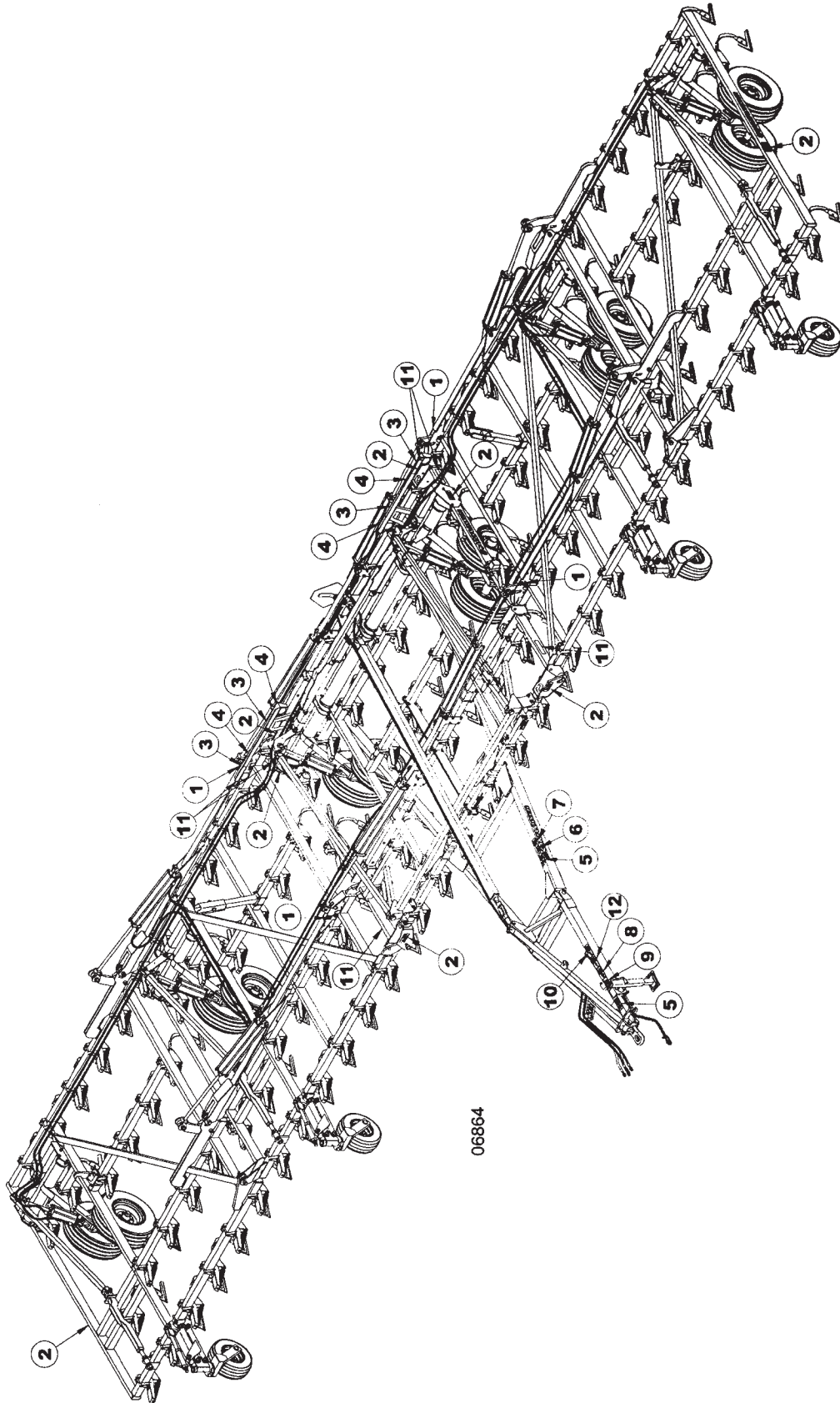
63

DECAL PLACEMENT

ITEM	NUMBER	QTY	DESCRIPTION
1	SN997002		SUNFLOWER DECAL
2	SN997765		DECAL, 5055
3	SN997263		DECAL, TILLAGE PROMOTES A SAFER ENVIRONMENT FOR TOMORROW
4			SERIAL NUMBER PLATE
5	SN997246		FEMA DECAL

I0006863

SAFETY SIGN PLACEMENT



**5055 FIELD CULTIVATOR
SERVICE PARTS**

65

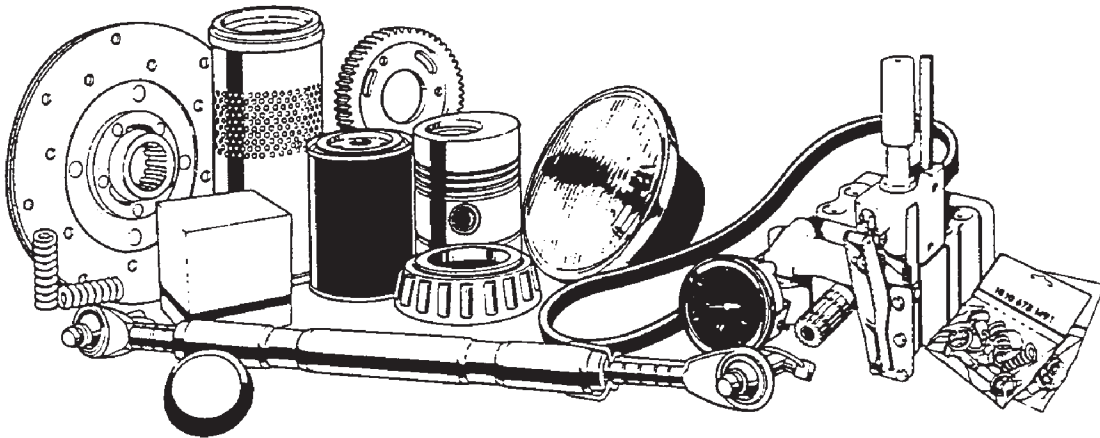
SAFETY SIGN PLACEMENT

ITEM	NUMBER	QTY	DESCRIPTION
1	SN997313		CAUTION - INSTALL LOCK PINS BEFORE TRANSPORTING
2	SN997042		STAY CLEAR OF FOLDING WINGS
3	SN997661		TAPE, RED REFLECTIVE 2" X 9" L
4	SN997662		TAPE, ORANGE REFLECTIVE 2" X 9" L
5	SN997792		DECAL-WARNING, READ OPERATOR'S MANUAL
6	SN997052		SYSTEMS MUST BE BLED OF AIR
7	SN997314		IMPORTANT - TO INSURE EVEN WORKING DEPTH
8	SN997048		FASTEN SAFETY CHAIN
9	SN997311		HIGH PRESSURE FLUID HAZARD
10	SN997045		WINGS CAN CONTACT ELECTRIC
11	SN997663		TAPE, YELLOW REFLECTIVE 2" X 9" L
12	SN997074		UNHITCHING HAZARD

I0006864

RECOMMENDED DEALER STOCK

RECOMMENDED DEALER'S STOCK



**5055 FIELD CULTIVATOR
RECOMMENDED DEALER LIST**

RECOMMENDED DEALER STOCK

ITEM	NUMBER	QTY	DESCRIPTION
-	SN3686	1	8 BOLT HUB ASSEMBLY (2 1/4" SPINDLE)
-	SN10460	1	ASSY, AG MODULE
-	SNFK310062	2	BEARING (JLM506849) (2 3/4" SPINDLE)
-	SN1602	2	BEARING (LM48548)
-	SN1935	2	BEARING (LM501349)
-	SN1606	2	BEARING (LM67048)
-	SN3683	2	BEARING(LM603049) (2 1/4" SPINDLE)
-	SN1610	1	DUST CAP, 2.448" OD, Y/D
-	SNFK340162	1	DUST CAP, 3.125" OD, Y/D(2 3/4" SPINDLE)
-	SN2799	1	FIVE BOLT HUB ASSEMBLY (1"-14 UNF
-	SN10394	1	HARNESS, AG 30' EXTENSION
-	SN10461	1	HARNESS, AG 8' 6" WISHBONE
-	SN3302	1	HEX NUT, 1"-14 FULL SLOTTED GR 2, PLAIN
-	SN3366	1	HITCH SPRING
-	SN10007	1	LAMP, SINGLE AMBER FRT/REAR
-	SN9017	2	L-BOLT,5/8"-11 X 4 1/2" X 5 1/2",Y/D
-	SN3118	8	LUG BOLT, 9/16"-18 X 1 7/8" PRESS IN,
-	SN1611	5	LUG NUT, 1/2"-20, GR 5, 90 DEG TAPER,
-	SN3117	8	LUG NUT, 9/16"-18, GR 5, 90 DEG TAPER,
-	SN3365	1	PIN, 7/8" SPCL, Y/D
-	SN1603	2	RACE (LM48510)
-	SN1936	2	RACE (LM501310)
-	SN3684	2	RACE (LM603011)
-	SN1605	2	RACE (LM67010)
-	SN8775-1	2	SEAL KIT, 3 1/2", 1 1/4" ROD,
-	SN8776-1	2	SEAL KIT, 3 3/4", 1 3/8" ROD, REPHASING
-	SN8612-1	2	SEAL KIT, 4", 1 1/2" ROD, CROSS
-	SN8781-1	2	SEAL KIT, 4", 1 3/8" ROD
-	SNFK310064	2	SEAL, 8-BOLT (2 3/4" SPINDLE)
-	SN12231	2	SHANK, 5/8" X 1 3/4" FLAT
-	SN12257	2	SHANK, 5/8" X 1 3/4" X 24", FLAT
-	SN1611-1	5	SHOULDER BOLT, 1/2"-20X2 3/32" PRESS IN,
-	SN10486	1	SINGLE AG LAMP, RED/BLACK W/BRAKE
-	SN3300	1	SIX BOLT HUB ASSEMBLY W/3301 SEAL
-	SN7001	1	SMV EMBLEM
-	SN3044B	1	SPRING ASSEMBLY, 5000 (ITEMS 11-13)
-	SN7453	1	SPRING CLAMP, S-TINE
-	SN3046	10	SWEEP, 9" PLAIN (47 DEG)
-	SN3301	1	TRIPLE LIP SEAL
-	SN10855	2	U-BOLT, 1/2" X 6 3/4" X 3 9/16" W, Y/D
-	SNBT10116	2	U-BOLT, 1/2"-13 X 3 3/4" X 3 5/8" W
-	SN3619	2	U-BOLT, 1/2"-13 X 3 5/8" X 3" W, GR 5,
-	SN5941	2	U-BOLT, 1/2"-13 X 5 1/2" X 3 9/16" W,
-	SN198	2	U-BOLT, 3/4"-10 X 5 1/2" X 5" W, GR 5,
-	SN10636	2	U-BOLT, 3/4"-10 X 5 7/8" X 3 13/16"W Y/D
-	SN5612	2	U-BOLT, 5/8"-11 X 3 1/2" X 5 11/16" W,
-	SN10703	2	U-BOLT, 5/8"-11 X 4 3/4" X 4 3/16" W,
-	SN3061	2	WALKING BEAM BEARING (342A)
-	SN3062	2	WALKING BEAM RACE (332)
-	SN3063	2	WALKING BEAM SEAL (NAT.204035 C/R 22870)
-	SNFK340165	1	WASHER, 1 1/16" ID X 2 1/8" OD X 1/4"
-	SN3303	1	WASHER, 1 1/32" ID X 1 3/4" ODX 1/8"

GRAIN DRILLS



PARTS CATALOG

SUNFLOWER®
9412 THREE POINT GRAIN DRILL

9412 THREE-POINTD MOUNTED DRILL

RECOMMENDED DEALER LIST

RECOMMENDED DEALER STOCK 95

SERVICE PARTS

ALL PURPOSE HEADS UP OPENER ASSEMBLY (YEAR 2001 & LATER DRILLS) 41
 ALL PURPOSE HEADS UP OPENER PRESS WHEEL ASSY (YEAR 2001 & LATER DRILLS) 45
 ALL PURPOSE OPENER ASSEMBLY (YEAR 2000 35
 ALL PURPOSE PRESS WHEEL ASSEMBLY (YEAR 2000 & EARLIER DRILLS) 39
 DECAL PLACEMENT 91
 DRILL SHAFT ASSEMBLY WHEN USING GRASS SEEDER 89
 EIGHT BOLT HUB ASSEMBLY (12' DRILLS) 61
 GRASS SEEDER AGITATOR ASSEMBLY 87
 GRASS SEEDER HOPPER ASSEMBLY (OPTIONAL) 83
 GRASS SEEDER SHAFT ASSEMBLY 85
 INNER HYDRAULIC ROW MARKER ASSEMBLY 73
 OPENER SHIELD ASSEMBLY 49
 OUTER HYDRAULIC ROW MARKERS ASSEMBLY 71
 PRESS WHEEL & TIRE ASSEMBLY 47
 ROW MARKER HYDRAULICS 77
 SAFETY SIGN PLACEMENT 93
 SHAFT ASSEMBLY 19
 SIX BOLT HUB ASSEMBLY 59
 TRANSPORT PULL HITCH HYDRAULICS (OLD 10' VERSION 1 & CURRENT 15' & 20') 63
 TRANSPORT PULL HITCH HYDRAULICS (10' & 12' VERSION 2 - 09/2001 & AFTER) 65
 TURNBUCKLE ASSEMBLY 33
 WEIGHT BRACKET ASSEMBLY (OPTIONAL) 51
 10' & 12' TRANSPORT PULL HITCH ASSEMBLY (VERSION 2 - 09/2001 & LATER) 55
 10' HOPPER ASSEMBLY 9
 10' THREE-POINT HITCH ASSEMBLY 21
 10' TRANSPORT PULL HITCH ASSEMBLY (VERSION 1 - PRIOR TO 09/2001) 53
 10', 12' & 15' UPPER GAUGE WHEEL ASSEMBLY (LEFT) 27
 10', 12' & 15' UPPER GAUGE WHEEL ASSEMBLY (RIGHT) 25
 10', 12', 15' & 20' LOWER GAUGE WHEEL ASSEMBLY 31
 10', 15' & 20' FRAME ASSEMBLY 13
 12 1/2' FRAME ASSEMBLY 17
 12 1/2' HOPPER ASSEMBLY 11
 12', 15' & 20' THREE-POINT HITCH ASSEMBLY 23
 15' & 20' TRANSPORT PULL HITCH ASSEMBLY 57
 2 1/2" X 8" CYLINDER DR55002 (VERSION 1, PRIOR TO 6/23/03) 79
 2 1/2" X 8" CYLINDER 12051R (VERSION 2, 6/23/03 & LATER) 81
 20' UPPER GAUGE WHEEL ASSEMBLY 29
 4" X 10" LIFT CYLINDER 12026R (VERSION 2, 10/22/03 & LATER) 69
 4" X 10" LIFT CYLINDER 6635R (VERSION 1, PRIOR TO 10/22/03) 67
 7 1/2' HOPPER ASSEMBLY 7

9412 THREE-POINTED MOUNTED DRILL

III
INDEX

Part No.	Page	Grid	Part No.	Page	Grid	Part No.	Page	Grid	Part No.	Page	Grid
SNA0007	9	1-B 6	SNDR12011	35	1-B 9	SNFK330122	63	1-B 12	SN11193	41	1-B 10
SNA0007	11	1-B 7	SNDR12011	41	1-B 10	SNHCL	73	1-B 13	SN12025	69	1-B 12
SNA0007	83	1-B 14	SNDR12011	95	1-B 15	SNHEN3410	33	1-B 9	SN12026	63	1-B 12
SNA0007	95	1-B 15	SNDR12016	7	1-B 6	SNHEN3410	39	1-B 9	SN12026	65	1-B 12
SNA0012	19	1-B 7	SNDR12016	9	1-B 6	SNHEN3410	41	1-B 10	SN12026	69	1-B 12
SNA0012	89	1-B 14	SNDR12016	11	1-B 7	SNHEN3410	53	1-B 11	SN12051	75	1-B 13
SNA0012	97	1-B 15	SNDR12016	97	1-B 15	SNHEN3410	55	1-B 11	SN12051	81	1-B 14
SNA0119	85	1-B 14	SNDR12017	19	1-B 7	SNHEN3410	57	1-B 11	SN1220	37	1-B 9
SNBP10030	83	1-B 14	SNDR12017	89	1-B 14	SNQH10041	53	1-B 11	SN1220	43	1-B 10
SNBP10031	83	1-B 14	SNDR12017	95	1-B 15	SN10023R	55	1-B 11	SN12348	43	1-B 10
SNBP10041	85	1-B 14	SNDR12031	21	1-B 8	SN10126	43	1-B 10	SN12360	31	1-B 9
SNBP10065	83	1-B 14	SNDR12034	83	1-B 14	SN10126	95	1-B 15	SN12360	95	1-B 15
SNBP10074	83	1-B 14	SNDR12035	75	1-B 13	SN10127	43	1-B 10	SN12361	31	1-B 9
SNBP10076	83	1-B 14	SNDR12046	7	1-B 6	SN10127	95	1-B 15	SN1243	19	1-B 7
SNBP10296	83	1-B 14	SNDR12046	9	1-B 6	SN1021	39	1-B 9	SN1243	71	1-B 13
SNBT10154	21	1-B 8	SNDR12046	11	1-B 7	SN1021	41	1-B 10	SN1243	73	1-B 13
SNBT10157	21	1-B 8	SNDR20004	35	1-B 9	SN1021	53	1-B 11	SN1243	89	1-B 14
SNBT10258	13	1-B 7	SNDR20004	41	1-B 10	SN1021	55	1-B 11	SN1244	75	1-B 13
SNBT10258	17	1-B 7	SNDR20004	97	1-B 15	SN1021	57	1-B 11	SN1282	53	1-B 11
SNBT10275	19	1-B 7	SNDR20005	85	1-B 14	SN10292	25	1-B 8	SN1282	55	1-B 11
SNBT10275	89	1-B 14	SNDR30005	37	1-B 9	SN10292	29	1-B 8	SN1282	57	1-B 11
SNBT10286	51	1-B 11	SNDR30005	95	1-B 15	SN10293	27	1-B 8	SN1283	23	1-B 8
SNBT10321	13	1-B 7	SNDR30009	19	1-B 7	SN10293	29	1-B 8	SN1283	25	1-B 8
SNBT10321	17	1-B 7	SNDR30009	85	1-B 14	SN10296	33	1-B 9	SN1283	27	1-B 8
SNBT10323	13	1-B 7	SNDR30009	87	1-B 14	SN10325	31	1-B 9	SN1283	29	1-B 8
SNBT10323	17	1-B 7	SNDR30009	89	1-B 14	SN10326	7	1-B 6	SN1283	53	1-B 11
SNBT10376	21	1-B 8	SNDR30009	95	1-B 15	SN10326	9	1-B 6	SN1283	55	1-B 11
SNBT10377	21	1-B 8	SNDR30022	27	1-B 8	SN10326	11	1-B 7	SN1283	57	1-B 11
SNB1120	35	1-B 9	SNDR30022	31	1-B 9	SN10326	19	1-B 7	SN1298	25	1-B 8
SNB1120	95	1-B 15	SNDR40506	19	1-B 7	SN10326	89	1-B 14	SN1298	29	1-B 8
SNB1127	35	1-B 9	SNDR40506	97	1-B 15	SN10333	39	1-B 9	SN1345	33	1-B 9
SNB1127	43	1-B 10	SNDR4100	29	1-B 8	SN10333	41	1-B 10	SN140	13	1-B 7
SNB1127	95	1-B 15	SNDR41007	25	1-B 8	SN10336	59	1-B 11	SN1484	73	1-B 13
SNB1141	77	1-B 13	SNDR41007	29	1-B 8	SN10355	31	1-B 9	SN1507	13	1-B 7
SNB1142	85	1-B 14	SNDR41007	31	1-B 9	SN10356	31	1-B 9	SN1507	17	1-B 7
SNB1540	19	1-B 7	SNDR41008	25	1-B 8	SN10357	31	1-B 9	SN1507	71	1-B 13
SNB1540	89	1-B 14	SNDR41008	31	1-B 9	SN10358	31	1-B 9	SN155	13	1-B 7
SNB1598	19	1-B 7	SNDR41506	19	1-B 7	SN10359	31	1-B 9	SN1550	19	1-B 7
SNB1598	89	1-B 14	SNDR41506	89	1-B 14	SN1040	15	1-B 7	SN1550	89	1-B 14
SNB1599	19	1-B 7	SNDR41509	19	1-B 7	SN1040	21	1-B 8	SN156	13	1-B 7
SNB1599	89	1-B 14	SNDR41509	85	1-B 14	SN1040	23	1-B 8	SN156	17	1-B 7
SNB1610	85	1-B 14	SNDR41509	87	1-B 14	SN1040	51	1-B 11	SN156	25	1-B 8
SNB2528	21	1-B 8	SNDR41509	89	1-B 14	SN1040	75	1-B 13	SN156	29	1-B 8
SNB2606	21	1-B 8	SNDR41515	31	1-B 9	SN10463	43	1-B 10	SN159	71	1-B 13
SNB2606	23	1-B 8	SNDR41516	31	1-B 9	SN10479	43	1-B 10	SN159	85	1-B 14
SNB2620	19	1-B 7	SNDR41517	31	1-B 9	SN10542	43	1-B 10	SN1599	55	1-B 11
SNB2620	85	1-B 14	SNDR55002	75	1-B 13	SN10569	33	1-B 9	SN1599	57	1-B 11
SNB2620	89	1-B 14	SNDR55002	79	1-B 13	SN106	13	1-B 7	SN1605	59	1-B 11
SNB2632	71	1-B 13	SNDR56006	77	1-B 13	SN106	21	1-B 8	SN1605	61	1-B 12
SNB2639	89	1-B 14	SNDR80011	37	1-B 9	SN106	23	1-B 8	SN1605	95	1-B 15
SNB4103	33	1-B 9	SNDR80011	43	1-B 10	SN106	51	1-B 11	SN1606	59	1-B 11
SNB5000	37	1-B 9	SNDR80018	15	1-B 7	SN106	75	1-B 13	SN1606	61	1-B 12
SNCS516114	53	1-B 11	SNDR80018	17	1-B 7	SN10836	63	1-B 12	SN1606	95	1-B 15
SNCS516114	55	1-B 11	SNDR80018	29	1-B 8	SN10836	65	1-B 12	SN1609	53	1-B 11
SNCS516114	57	1-B 11	SNDR80018	73	1-B 13	SN109	53	1-B 11	SN1609	55	1-B 11
SNDR10025	7	1-B 6	SNDR80019	15	1-B 7	SN110	23	1-B 8	SN1609	57	1-B 11
SNDR10025	9	1-B 6	SNDR80019	51	1-B 11	SN110	25	1-B 8	SN1609	71	1-B 13
SNDR10025	11	1-B 7	SNDR80019	73	1-B 13	SN110	27	1-B 8	SN1610	59	1-B 11
SNDR10025	85	1-B 14	SNDR80019	97	1-B 15	SN110	29	1-B 8	SN1610	61	1-B 12
SNDR10026	19	1-B 7	SNDR80029	25	1-B 8	SN110	53	1-B 11	SN1610	95	1-B 15
SNDR10026	85	1-B 14	SNDR80029	29	1-B 8	SN110	55	1-B 11	SN1611	27	1-B 8
SNDR10026	89	1-B 14	SNDR80029	31	1-B 9	SN110	57	1-B 11	SN1611	31	1-B 9
SNDR10506	19	1-B 7	SNDR80029	97	1-B 15	SN112	31	1-B 9	SN1672	57	1-B 11
SNDR10506	85	1-B 14	SNDR80030	89	1-B 14	SN113	29	1-B 8	SN1675	21	1-B 8
SNDR10506	89	1-B 14	SNDR80044	21	1-B 8	SN113	31	1-B 9	SN1675	23	1-B 8
SNDR10508	35	1-B 9	SNDR80044	97	1-B 15	SN113	71	1-B 13	SN1676	75	1-B 13
SNDR10524	13	1-B 7	SNDR81041	75	1-B 13	SN114	29	1-B 8	SN1723	53	1-B 11
SNDR10524	17	1-B 7	SNDR81044	35	1-B 9	SN114	31	1-B 9	SN1723	55	1-B 11
SNDR11502	15	1-B 7	SNDR81044	43	1-B 10	SN114	71	1-B 13	SN1723	57	1-B 11
SNDR11502	17	1-B 7	SNFK150172	33	1-B 9	SN1189	53	1-B 11	SN175	37	1-B 9
SNDR11507	13	1-B 7	SNFK150173	23	1-B 8	SN1189	55	1-B 11	SN175	47	1-B 10
SNDR11507	17	1-B 7	SNFK150189	85	1-B 14	SN1189	57	1-B 11	SN175	77	1-B 13
SNDR11507	97	1-B 15	SNFK150221	83	1-B 14	SN1193	13	1-B 7	SN175	83	1-B 14
SNDR12003	85	1-B 14	SNFK150283	35	1-B 9	SN1193	17	1-B 7	SN176	53	1-B 11
SNDR12006	85	1-B 14	SNFK150283	41	1-B 10	SN1193	35	1-B 9	SN176	55	1-B 11

**IV
INDEX**

9412 THREE-POINTED MOUNTED DRILL

Part No.	Page	Grid	Part No.	Page	Grid	Part No.	Page	Grid	Part No.	Page	Grid
SN176	57	1-B 11	SN3118	59	1-B 11	SN3683	61	1-B 12	SN4458	69	1-B 12
SN176	63	1-B 12	SN3118	61	1-B 12	SN3683	95	1-B 15	SN4458	79	1-B 13
SN176	77	1-B 13	SN3118	95	1-B 15	SN3684	61	1-B 12	SN4458	81	1-B 14
SN177	19	1-B 7	SN3153	15	1-B 7	SN3684	95	1-B 15	SN4460	63	1-B 12
SN177	75	1-B 13	SN3164	53	1-B 11	SN3685	61	1-B 12	SN4460	65	1-B 12
SN177	85	1-B 14	SN3164	55	1-B 11	SN3686	61	1-B 12	SN4464	63	1-B 12
SN177	89	1-B 14	SN3164	57	1-B 11	SN3686	95	1-B 15	SN4464	65	1-B 12
SN178	15	1-B 7	SN3164	63	1-B 12	SN3687	61	1-B 12	SN4475	63	1-B 12
SN178	49	1-B 10	SN3164	65	1-B 12	SN3688Y	61	1-B 12	SN4592	73	1-B 13
SN178	83	1-B 14	SN3164	75	1-B 13	SN3722	35	1-B 9	SN4732	63	1-B 12
SN1817	63	1-B 12	SN317	7	1-B 6	SN3722	85	1-B 14	SN4732	65	1-B 12
SN1817	65	1-B 12	SN317	9	1-B 6	SN3722	87	1-B 14	SN4738	13	1-B 7
SN1823	17	1-B 7	SN317	11	1-B 7	SN3723	53	1-B 11	SN4738	17	1-B 7
SN1823	31	1-B 9	SN317	13	1-B 7	SN3723	55	1-B 11	SN474	7	1-B 6
SN1849	73	1-B 13	SN317	17	1-B 7	SN3723	57	1-B 11	SN474	77	1-B 13
SN1860	21	1-B 8	SN317	19	1-B 7	SN3723	63	1-B 12	SN4843	15	1-B 7
SN1860	23	1-B 8	SN317	43	1-B 10	SN3723	65	1-B 12	SN4843	17	1-B 7
SN1918	15	1-B 7	SN317	77	1-B 13	SN3724	53	1-B 11	SN486	13	1-B 7
SN1935	59	1-B 11	SN317	83	1-B 14	SN3724	55	1-B 11	SN486	17	1-B 7
SN1935	95	1-B 15	SN317	85	1-B 14	SN3724	57	1-B 11	SN486	29	1-B 8
SN1936	59	1-B 11	SN317	89	1-B 14	SN3724	63	1-B 12	SN486	53	1-B 11
SN1936	95	1-B 15	SN3253	63	1-B 12	SN3724	65	1-B 12	SN486	55	1-B 11
SN1937	59	1-B 11	SN3253	65	1-B 12	SN3750	13	1-B 7	SN486	57	1-B 11
SN1944	59	1-B 11	SN3253	77	1-B 13	SN3750	17	1-B 7	SN486	71	1-B 13
SN2045	25	1-B 8	SN3298	59	1-B 11	SN3765	13	1-B 7	SN4914	53	1-B 11
SN2045	29	1-B 8	SN3300	59	1-B 11	SN3765	17	1-B 7	SN4914	55	1-B 11
SN2045	31	1-B 9	SN3300	97	1-B 15	SN3806	39	1-B 9	SN4914	57	1-B 11
SN2045	53	1-B 11	SN3301	59	1-B 11	SN3806	43	1-B 10	SN4915	53	1-B 11
SN2045	55	1-B 11	SN3301	61	1-B 12	SN3881	7	1-B 6	SN4915	55	1-B 11
SN2045	57	1-B 11	SN3301	97	1-B 15	SN3881	9	1-B 6	SN4915	57	1-B 11
SN2045	71	1-B 13	SN3302	59	1-B 11	SN3881	11	1-B 7	SN4942	53	1-B 11
SN2089	25	1-B 8	SN3302	61	1-B 12	SN3881	19	1-B 7	SN4942	55	1-B 11
SN2089	27	1-B 8	SN3302	95	1-B 15	SN3881	39	1-B 9	SN4942	57	1-B 11
SN2089	29	1-B 8	SN3303	59	1-B 11	SN3881	41	1-B 10	SN4943	53	1-B 11
SN2089	75	1-B 13	SN3303	61	1-B 12	SN3881	47	1-B 10	SN4943	55	1-B 11
SN2096	13	1-B 7	SN3303	71	1-B 13	SN3881	85	1-B 14	SN4943	57	1-B 11
SN2098-1	39	1-B 9	SN3303	95	1-B 15	SN3881	87	1-B 14	SN4944	53	1-B 11
SN2098-4	53	1-B 11	SN3371	15	1-B 7	SN3881	89	1-B 14	SN4944	55	1-B 11
SN2098-6	59	1-B 11	SN3371	17	1-B 7	SN3938	13	1-B 7	SN4944	57	1-B 11
SN2148	23	1-B 8	SN3411	33	1-B 9	SN3938	53	1-B 11	SN4945	53	1-B 11
SN2425	77	1-B 13	SN3485	73	1-B 13	SN3938	55	1-B 11	SN4945	55	1-B 11
SN2426	63	1-B 12	SN3557	13	1-B 7	SN3938	57	1-B 11	SN4945	57	1-B 11
SN2426	65	1-B 12	SN3557	17	1-B 7	SN396	21	1-B 8	SN4946	53	1-B 11
SN2486	87	1-B 14	SN3564	21	1-B 8	SN397	21	1-B 8	SN4946	55	1-B 11
SN2487	33	1-B 9	SN3565	7	1-B 6	SN3984	7	1-B 6	SN4946	57	1-B 11
SN2487	39	1-B 9	SN3565	9	1-B 6	SN3984	9	1-B 6	SN4948	53	1-B 11
SN2487	41	1-B 10	SN3565	11	1-B 7	SN3984	11	1-B 7	SN4948	55	1-B 11
SN2487	47	1-B 10	SN3566	7	1-B 6	SN3984	53	1-B 11	SN4948	57	1-B 11
SN2487	71	1-B 13	SN3566	9	1-B 6	SN3984	55	1-B 11	SN4986	53	1-B 11
SN2517	53	1-B 11	SN3566	11	1-B 7	SN3984	57	1-B 11	SN4989	23	1-B 8
SN2517	55	1-B 11	SN3566	15	1-B 7	SN3984	63	1-B 12	SN5012	53	1-B 11
SN2517	57	1-B 11	SN3566	17	1-B 7	SN3984	77	1-B 13	SN5012	55	1-B 11
SN2557	39	1-B 9	SN3566	37	1-B 9	SN3984	85	1-B 14	SN5012	57	1-B 11
SN2557	45	1-B 10	SN3567	7	1-B 6	SN4026005	63	1-B 12	SN506	7	1-B 6
SN2566	13	1-B 7	SN3567	9	1-B 6	SN4026005	65	1-B 12	SN506	9	1-B 6
SN2566	17	1-B 7	SN3567	11	1-B 7	SN4030005	63	1-B 12	SN506	11	1-B 7
SN2585	59	1-B 11	SN3567	13	1-B 7	SN4030005	65	1-B 12	SN506	85	1-B 14
SN2585	61	1-B 12	SN3567	17	1-B 7	SN4045005	63	1-B 12	SN5094	27	1-B 8
SN2587	77	1-B 13	SN3567	33	1-B 9	SN4045005	65	1-B 12	SN5151	27	1-B 8
SN2750	7	1-B 6	SN3567	37	1-B 9	SN4047005	63	1-B 12	SN5151	31	1-B 9
SN2750	9	1-B 6	SN3567	39	1-B 9	SN4047005	65	1-B 12	SN5152	59	1-B 11
SN2750	11	1-B 7	SN3567	41	1-B 10	SN4050011	77	1-B 13	SN5290	13	1-B 7
SN2867	13	1-B 7	SN3567	49	1-B 10	SN4098011	77	1-B 13	SN5290	17	1-B 7
SN2867	17	1-B 7	SN3567	71	1-B 13	SN4110011	77	1-B 13	SN5302	53	1-B 11
SN2867	55	1-B 11	SN3567	77	1-B 13	SN4120005	63	1-B 12	SN5302	55	1-B 11
SN2867	57	1-B 11	SN3567	83	1-B 14	SN4120005	65	1-B 12	SN5302	57	1-B 11
SN302	59	1-B 11	SN3577	27	1-B 8	SN4130011	77	1-B 13	SN5302	63	1-B 12
SN302	61	1-B 12	SN3577	31	1-B 9	SN4136011	77	1-B 13	SN5302	77	1-B 13
SN303	59	1-B 11	SN3577	59	1-B 11	SN4150005	63	1-B 12	SN5339	63	1-B 12
SN303	61	1-B 12	SN3577	61	1-B 12	SN4150005	65	1-B 12	SN5339	65	1-B 12
SN3066	59	1-B 11	SN3578	27	1-B 8	SN4153002	77	1-B 13	SN5339	75	1-B 13
SN3066	61	1-B 12	SN3578	31	1-B 9	SN4454	63	1-B 12	SN5342	53	1-B 11
SN3117	59	1-B 11	SN3579	59	1-B 11	SN4457	63	1-B 12	SN5342	55	1-B 11
SN3117	61	1-B 12	SN3581	59	1-B 11	SN4457	65	1-B 12	SN5342	57	1-B 11
SN3117	95	1-B 15	SN3587	59	1-B 11	SN4458	67	1-B 12	SN5578	61	1-B 12

9412 THREE-POINTED MOUNTED DRILL

V
INDEX

Part No.	Page	Grid	Part No.	Page	Grid	Part No.	Page	Grid	Part No.	Page	Grid
SN5731	71	1-B 13	SN6628	57	1-B 11	SN6959R	17	1-B 7	SN7218	95	1-B 15
SN5731	95	1-B 15	SN6629	53	1-B 11	SN6985	21	1-B 8	SN7219	13	1-B 7
SN5934	39	1-B 9	SN6629	55	1-B 11	SN6991	77	1-B 13	SN7219	17	1-B 7
SN5934	41	1-B 10	SN6629	57	1-B 11	SN6997	23	1-B 8	SN7221	49	1-B 10
SN5935	35	1-B 9	SN6630	53	1-B 11	SN7001	13	1-B 7	SN7222	49	1-B 10
SN5935	43	1-B 10	SN6630	55	1-B 11	SN7001	17	1-B 7	SN7223	49	1-B 10
SN6177	77	1-B 13	SN6630	57	1-B 11	SN7001	97	1-B 15	SN7224	49	1-B 10
SN6376	19	1-B 7	SN6631	53	1-B 11	SN7024	35	1-B 9	SN7226	49	1-B 10
SN6376	25	1-B 8	SN6631	55	1-B 11	SN7024	41	1-B 10	SN7227	49	1-B 10
SN6376	29	1-B 8	SN6631	57	1-B 11	SN7024	95	1-B 15	SN7228	49	1-B 10
SN6376	35	1-B 9	SN6635	63	1-B 12	SN7026	37	1-B 9	SN7261	37	1-B 9
SN6376	43	1-B 10	SN6635	65	1-B 12	SN7026	43	1-B 10	SN7266	43	1-B 10
SN6376	85	1-B 14	SN6635	67	1-B 12	SN7027	37	1-B 9	SN7271	35	1-B 9
SN6376	87	1-B 14	SN6673	13	1-B 7	SN7027	43	1-B 10	SN7272	35	1-B 9
SN6376	89	1-B 14	SN6673	17	1-B 7	SN7028	37	1-B 9	SN7375	39	1-B 9
SN6377	19	1-B 7	SN6675	13	1-B 7	SN7028	43	1-B 10	SN7375	45	1-B 10
SN6377	29	1-B 8	SN6675	17	1-B 7	SN7029	35	1-B 9	SN7384	39	1-B 9
SN6377	35	1-B 9	SN6682	49	1-B 10	SN7029	43	1-B 10	SN7384	43	1-B 10
SN6377	85	1-B 14	SN669-1	25	1-B 8	SN7030	43	1-B 10	SN7386	55	1-B 11
SN6377	87	1-B 14	SN669-1	27	1-B 8	SN7030B	37	1-B 9	SN7386	57	1-B 11
SN6377	89	1-B 14	SN669-1	29	1-B 8	SN7031	37	1-B 9	SN7387	55	1-B 11
SN6378	19	1-B 7	SN669-1	35	1-B 9	SN7032	35	1-B 9	SN7387	57	1-B 11
SN6378	25	1-B 8	SN669-1	39	1-B 9	SN7032	41	1-B 10	SN7388	55	1-B 11
SN6378	29	1-B 8	SN669-1	41	1-B 10	SN7033B	35	1-B 9	SN7388	57	1-B 11
SN6378	35	1-B 9	SN669-1	45	1-B 10	SN7033B	41	1-B 10	SN7389	55	1-B 11
SN6378	43	1-B 10	SN669-1	53	1-B 11	SN7034B	35	1-B 9	SN7389	57	1-B 11
SN6378	85	1-B 14	SN669-1	55	1-B 11	SN7034B	41	1-B 10	SN7390	55	1-B 11
SN6378	87	1-B 14	SN669-1	57	1-B 11	SN7038	37	1-B 9	SN7390	57	1-B 11
SN6378	89	1-B 14	SN6694	85	1-B 14	SN7040	39	1-B 9	SN7393	57	1-B 11
SN6381	7	1-B 6	SN6695	85	1-B 14	SN7040	41	1-B 10	SN7395	57	1-B 11
SN6381	9	1-B 6	SN6696	87	1-B 14	SN7041	39	1-B 9	SN7407	47	1-B 10
SN6381	11	1-B 7	SN6697	87	1-B 14	SN7041	41	1-B 10	SN7407	97	1-B 15
SN6436	7	1-B 6	SN6698	87	1-B 14	SN7042	39	1-B 9	SN7408	47	1-B 10
SN6436	9	1-B 6	SN6699	87	1-B 14	SN7042	41	1-B 10	SN7408	97	1-B 15
SN6436	11	1-B 7	SN670	25	1-B 8	SN7043	39	1-B 9	SN7409	47	1-B 10
SN6440	21	1-B 8	SN670	27	1-B 8	SN7043B	41	1-B 10	SN7409	97	1-B 15
SN6440	39	1-B 9	SN670	29	1-B 8	SN7044B	41	1-B 10	SN7410	47	1-B 10
SN6440	41	1-B 10	SN6700	87	1-B 14	SN7068	13	1-B 7	SN7410	97	1-B 15
SN6441	71	1-B 13	SN6701	87	1-B 14	SN7068	17	1-B 7	SN7411	47	1-B 10
SN6442	71	1-B 13	SN6702	87	1-B 14	SN7069	15	1-B 7	SN7411	97	1-B 15
SN6443	73	1-B 13	SN6703	87	1-B 14	SN7069	17	1-B 7	SN7412	47	1-B 10
SN6444	71	1-B 13	SN6704	89	1-B 14	SN7070	23	1-B 8	SN7413	47	1-B 10
SN6445	71	1-B 13	SN6707	89	1-B 14	SN7070	25	1-B 8	SN7415	47	1-B 10
SN6446	73	1-B 13	SN6709	87	1-B 14	SN7070	27	1-B 8	SN7416	47	1-B 10
SN6447	73	1-B 13	SN6710	85	1-B 14	SN7070	29	1-B 8	SN7459	87	1-B 14
SN6448	73	1-B 13	SN6711	85	1-B 14	SN7070	97	1-B 15	SN7517	33	1-B 9
SN6449	73	1-B 13	SN6711	89	1-B 14	SN7071	23	1-B 8	SN7518	33	1-B 9
SN6450	73	1-B 13	SN6713	85	1-B 14	SN7072	23	1-B 8	SN7519	33	1-B 9
SN6453	73	1-B 13	SN6714	87	1-B 14	SN7075	77	1-B 13	SN7638R	33	1-B 9
SN6454	73	1-B 13	SN6714	97	1-B 15	SN7077	77	1-B 13	SN7741	63	1-B 12
SN6456	73	1-B 13	SN6736	77	1-B 13	SN7083	39	1-B 9	SN7741	65	1-B 12
SN6465	21	1-B 8	SN6795	13	1-B 7	SN7083	41	1-B 10	SN776	71	1-B 13
SN6467	13	1-B 7	SN6795	17	1-B 7	SN7084	39	1-B 9	SN776	97	1-B 15
SN6467	17	1-B 7	SN6817	23	1-B 8	SN7084	41	1-B 10	SN777	71	1-B 13
SN6490	75	1-B 13	SN6818R	23	1-B 8	SN7085	39	1-B 9	SN777	95	1-B 15
SN6514	37	1-B 9	SN6830	51	1-B 11	SN7085	41	1-B 10	SN7773	71	1-B 13
SN6557	21	1-B 8	SN6831	51	1-B 11	SN71L-2701	13	1-B 7	SN7773	95	1-B 15
SN6569	85	1-B 14	SN6866	39	1-B 9	SN71L-2701	17	1-B 7	SN7775	71	1-B 13
SN6572	21	1-B 8	SN6866	45	1-B 10	SN71L-2901	51	1-B 11	SN7775	97	1-B 15
SN6581	19	1-B 7	SN6867	39	1-B 9	SN7176	37	1-B 9	SN7778	71	1-B 13
SN6581	89	1-B 14	SN6867	45	1-B 10	SN7176	95	1-B 15	SN7778	95	1-B 15
SN6609	75	1-B 13	SN6868	39	1-B 9	SN7179	15	1-B 7	SN7779	71	1-B 13
SN6610	75	1-B 13	SN6868	45	1-B 10	SN7179	17	1-B 7	SN7779	95	1-B 15
SN6611	75	1-B 13	SN6869	39	1-B 9	SN7201	35	1-B 9	SN7780	71	1-B 13
SN6617	73	1-B 13	SN6869	45	1-B 10	SN7201	43	1-B 10	SN7780	95	1-B 15
SN6618	35	1-B 9	SN6934	65	1-B 12	SN7202	35	1-B 9	SN7781	71	1-B 13
SN6618	41	1-B 10	SN6935	77	1-B 13	SN7203	35	1-B 9	SN7782	71	1-B 13
SN6619	35	1-B 9	SN6939	13	1-B 7	SN7203	43	1-B 10	SN7784	27	1-B 8
SN6619	41	1-B 10	SN6941	13	1-B 7	SN7204	37	1-B 9	SN7784	31	1-B 9
SN6625	53	1-B 11	SN6954	75	1-B 13	SN7204	43	1-B 10	SN7803	35	1-B 9
SN6625	55	1-B 11	SN6955	13	1-B 7	SN7205	35	1-B 9	SN7803	95	1-B 15
SN6625	57	1-B 11	SN6955	17	1-B 7	SN7205	43	1-B 10	SN7804	35	1-B 9
SN6626R	53	1-B 11	SN6958R	13	1-B 7	SN7218	39	1-B 9	SN7804	95	1-B 15
SN6628	53	1-B 11	SN6958R	17	1-B 7	SN7218	45	1-B 10	SN7825	71	1-B 13
SN6628	55	1-B 11	SN6959R	13	1-B 7	SN7218	47	1-B 10	SN7859	35	1-B 9

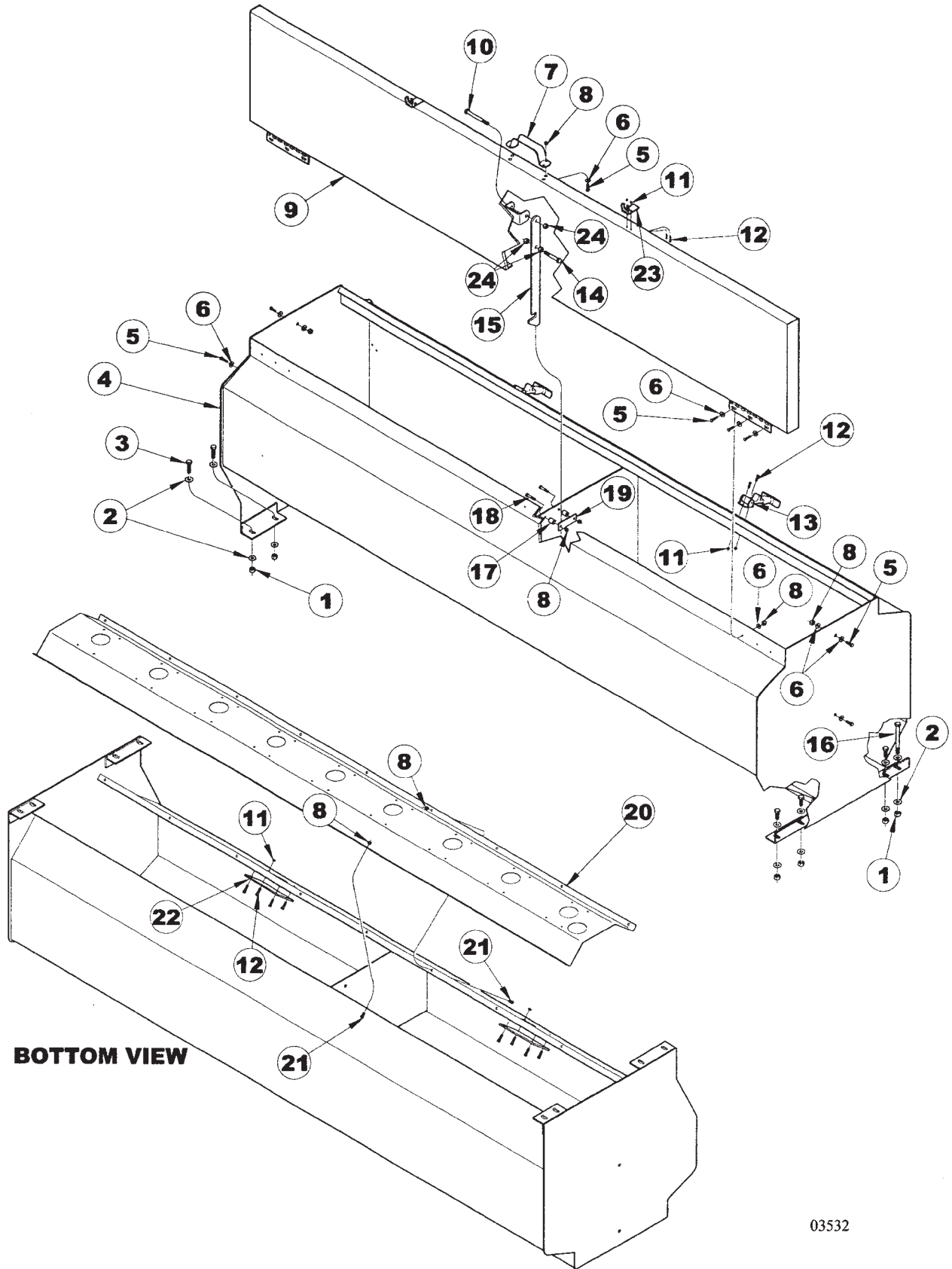
**VI
INDEX**

9412 THREE-POINTED MOUNTED DRILL

Part No.	Page	Grid	Part No.	Page	Grid	Part No.	Page	Grid	Part No.	Page	Grid
SN7859	43	1-B 10	SN9045	19	1-B 7	SN9176	29	1-B 8	SN997040	93	1-B 15
SN7896	23	1-B 8	SN9046	7	1-B 6	SN9176	95	1-B 15	SN997041	93	1-B 15
SN7896	95	1-B 15	SN9047	9	1-B 6	SN9177	31	1-B 9	SN997043	93	1-B 15
SN7899	23	1-B 8	SN9049	7	1-B 6	SN9177	95	1-B 15	SN997048	93	1-B 15
SN7900	23	1-B 8	SN9050	7	1-B 6	SN9178	31	1-B 9	SN997074	93	1-B 15
SN7952	85	1-B 14	SN9051	7	1-B 6	SN9179	7	1-B 6	SN997246	91	1-B 15
SN7953	85	1-B 14	SN9052	9	1-B 6	SN9179	9	1-B 6	SN997309	67	1-B 12
SN7954	85	1-B 14	SN9053	9	1-B 6	SN9179	11	1-B 7	SN997309	69	1-B 12
SN7955	85	1-B 14	SN9054	9	1-B 6	SN918	21	1-B 8	SN997311	93	1-B 15
SN7956	83	1-B 14	SN9076	7	1-B 6	SN9180	7	1-B 6	SN997318	93	1-B 15
SN7957	85	1-B 14	SN9076	9	1-B 6	SN9180	9	1-B 6	SN997319	93	1-B 15
SN7958	85	1-B 14	SN9076	11	1-B 7	SN9180	11	1-B 7	SN997320	93	1-B 15
SN8273-1	69	1-B 12	SN9076	19	1-B 7	SN9181	7	1-B 6	SN997321	93	1-B 15
SN840	37	1-B 9	SN9076	89	1-B 14	SN9181	9	1-B 6	SN997323	93	1-B 15
SN840	43	1-B 10	SN9077	25	1-B 8	SN9181	11	1-B 7	SN997324	93	1-B 15
SN8612-1	69	1-B 12	SN9077	29	1-B 8	SN9182	9	1-B 6	SN997325	93	1-B 15
SN8612-1	97	1-B 15	SN9077	97	1-B 15	SN9183R	11	1-B 7	SN997326	91	1-B 15
SN8617-1	67	1-B 12	SN9078	31	1-B 9	SN9184	77	1-B 13	SN997327	91	1-B 15
SN8617-1	69	1-B 12	SN9078	97	1-B 15	SN9185	7	1-B 6	SN997339	93	1-B 15
SN8629-1	79	1-B 13	SN9079	31	1-B 9	SN9186	9	1-B 6	SN997340	93	1-B 15
SN8629-1	81	1-B 14	SN9079	97	1-B 15	SN9188	19	1-B 7	SN997407	45	1-B 10
SN8631-1	67	1-B 12	SN9081	25	1-B 8	SN9188	89	1-B 14	SN997407	91	1-B 15
SN8631-1	69	1-B 12	SN9081	29	1-B 8	SN9189	19	1-B 7	SN997459	91	1-B 15
SN8631-1	79	1-B 13	SN9081	95	1-B 15	SN9190	19	1-B 7	SN997701	91	1-B 15
SN8631-1	81	1-B 14	SN9082	25	1-B 8	SN9190	89	1-B 14	SN997704	91	1-B 15
SN8654-1	69	1-B 12	SN9082	29	1-B 8	SN9191	19	1-B 7	SN997707	91	1-B 15
SN8670-10	69	1-B 12	SN9083	31	1-B 9	SN9191	89	1-B 14	SN997708	91	1-B 15
SN8671-1	67	1-B 12	SN9101	39	1-B 9	SN9192R	19	1-B 7			
SN8671-1	69	1-B 12	SN9101	41	1-B 10	SN9338R	11	1-B 7			
SN8671-1	79	1-B 13	SN9102	39	1-B 9	SN9339R	11	1-B 7			
SN8671-1	81	1-B 14	SN9102	41	1-B 10	SN9349R	11	1-B 7			
SN8680-10	81	1-B 14	SN9105	37	1-B 9	SN9419	17	1-B 7			
SN8681-1	79	1-B 13	SN9105	39	1-B 9	SN9433	19	1-B 7			
SN8681-1	81	1-B 14	SN9106	37	1-B 9	SN9593	17	1-B 7			
SN8682-1	69	1-B 12	SN9106	39	1-B 9	SN9652	31	1-B 9			
SN8683-1	67	1-B 12	SN9109	47	1-B 10	SN9680	35	1-B 9			
SN8683-1	69	1-B 12	SN9111	31	1-B 9	SN9680	41	1-B 10			
SN8689-1	79	1-B 13	SN9112	31	1-B 9	SN9682	35	1-B 9			
SN8690-10	79	1-B 13	SN9125	13	1-B 7	SN9682	39	1-B 9			
SN8703-10	67	1-B 12	SN9126	13	1-B 7	SN9682	43	1-B 10			
SN8713-1	67	1-B 12	SN9127	13	1-B 7	SN9683	13	1-B 7			
SN8714-1	81	1-B 14	SN9128	13	1-B 7	SN9683	17	1-B 7			
SN8721-10	79	1-B 13	SN9129	25	1-B 8	SN9683	31	1-B 9			
SN8731-10	81	1-B 14	SN9129	29	1-B 8	SN9683	35	1-B 9			
SN8737-10	67	1-B 12	SN9130	27	1-B 8	SN9683	39	1-B 9			
SN8756-1	81	1-B 14	SN9130	29	1-B 8	SN9683	41	1-B 10			
SN8756-1	97	1-B 15	SN9131	25	1-B 8	SN9708	39	1-B 9			
SN8784-1	67	1-B 12	SN9131	27	1-B 8	SN9708	43	1-B 10			
SN8784-1	97	1-B 15	SN9131	29	1-B 8	SN9708	97	1-B 15			
SN8800-1	79	1-B 13	SN9134	27	1-B 8	SN9753N	43	1-B 10			
SN8800-1	95	1-B 15	SN9136	27	1-B 8	SN9753N	95	1-B 15			
SN8809-1	79	1-B 13	SN9136	31	1-B 9	SN9775	11	1-B 7			
SN8809-1	81	1-B 14	SN9137	25	1-B 8	SN9780	43	1-B 10			
SN8832-1	67	1-B 12	SN9137	27	1-B 8	SN9785	19	1-B 7			
SN8832-1	69	1-B 12	SN9137	29	1-B 8	SN9786	19	1-B 7			
SN8849-1	67	1-B 12	SN9141	15	1-B 7	SN9787	17	1-B 7			
SN8864-1	67	1-B 12	SN9142	15	1-B 7	SN9788	17	1-B 7			
SN8864-1	69	1-B 12	SN9143	13	1-B 7	SN9879	43	1-B 10			
SN8864-1	79	1-B 13	SN9144	13	1-B 7	SN9880	43	1-B 10			
SN8864-1	81	1-B 14	SN9145	13	1-B 7	SN9881	31	1-B 9			
SN8870-1	79	1-B 13	SN9147	25	1-B 8	SN9882	31	1-B 9			
SN8870-1	81	1-B 14	SN9148	25	1-B 8	SN9883	31	1-B 9			
SN8879-1	79	1-B 13	SN9149	29	1-B 8	SN9884	31	1-B 9			
SN8879-1	81	1-B 14	SN9160	31	1-B 9	SN9886	31	1-B 9			
SN8886-1	67	1-B 12	SN9161	25	1-B 8	SN9887	31	1-B 9			
SN893	35	1-B 9	SN9161	29	1-B 8	SN9930R	83	1-B 14			
SN893	53	1-B 11	SN9163	33	1-B 9	SN9931R	83	1-B 14			
SN893	55	1-B 11	SN9164	33	1-B 9	SN9932R	87	1-B 14			
SN893	57	1-B 11	SN9165	31	1-B 9	SN9934	85	1-B 14			
SN9028	15	1-B 7	SN9166R	25	1-B 8	SN9937	41	1-B 10			
SN9029	25	1-B 8	SN9166R	29	1-B 8	SN9937	97	1-B 15			
SN9029	29	1-B 8	SN9170	29	1-B 8	SN9937	97	1-B 15			
SN9045	7	1-B 6	SN9171	29	1-B 8	SN9939	31	1-B 9			
SN9045	9	1-B 6	SN9176	19	1-B 7	SN9961	49	1-B 10			
SN9045	11	1-B 7	SN9176	25	1-B 8	SN997002	91	1-B 15			

9412 THREE-POINTED MOUNTED DRILL
SERVICE PARTS

7 1/2' HOPPER ASSEMBLY



**9412 THREE-POINTED MOUNTED DRILL
SERVICE PARTS**

7

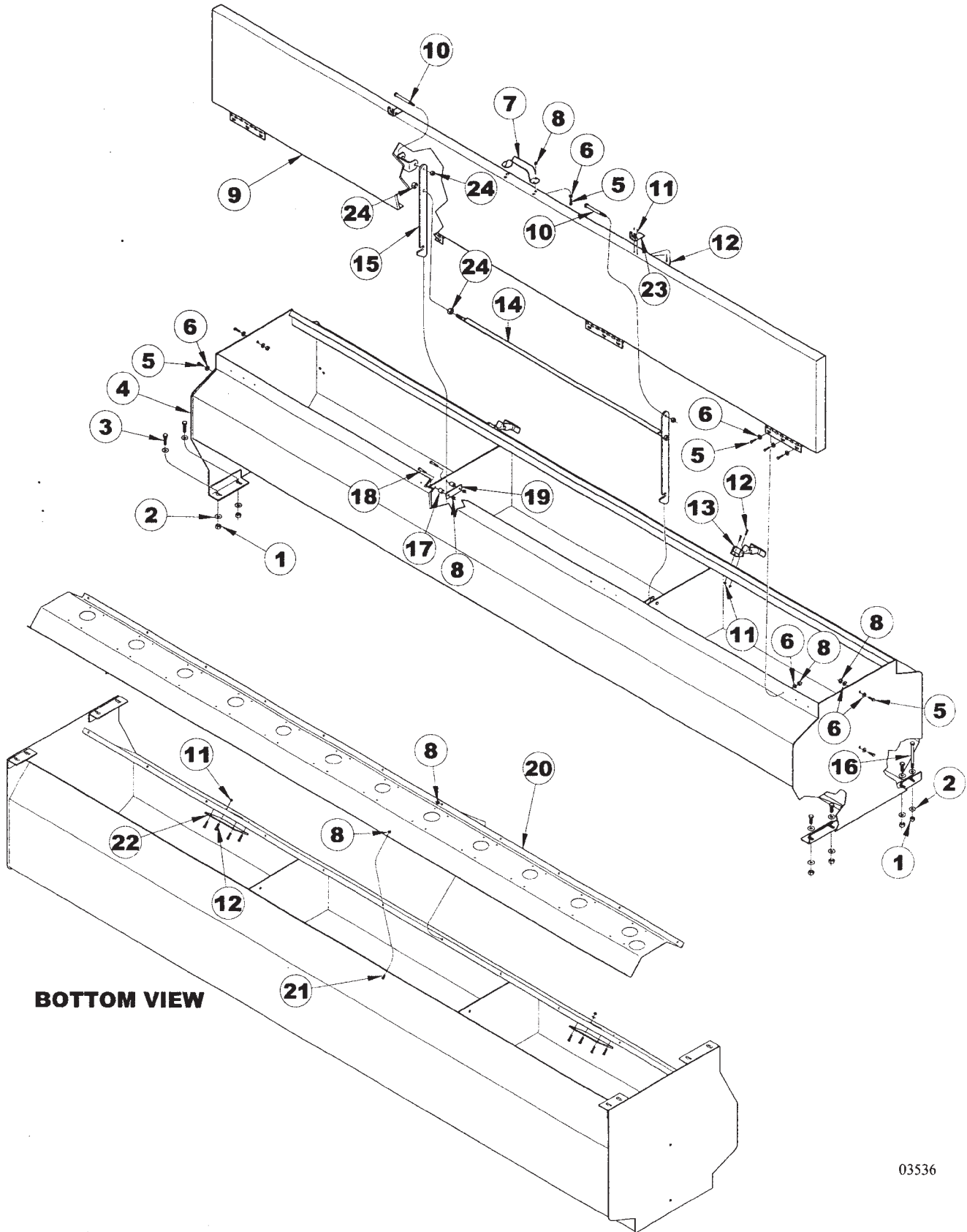
7 1/2' HOPPER ASSEMBLY

ITEM	NUMBER	QTY	DESCRIPTION
1	SN3567		LOCK NUT, 3/8"-16 HEX NYLON INSERT, GR 2, Y/D
2	SN317		FLAT WASHER, 3/8", Y/D
3	SN3984		HEX BOLT, 3/8"-16 X 1 1/4", GR 5, Y/D
4	SN9046		HOPPER BOX, 7 1/2', 2.4 BU
5	SNDR10025		HEX BOLT, 1/4"-20 X 5/8", GR 5, Y/D
6	SN506		FLAT WASHER, 1/4", Y/D
7	SN6436		HANDLE
8	SN3881		LOCK NUT, 1/4"-20 HEX NYLON INSERT, GR 2, Y/D
9	SN9185		HOPPER LID, 7 1/2'
10	SN3565		HEX BOLT, 3/8"-16 X 3 1/2", GR 5, Y/D
11	SN10326		NUT, 10-24 UNC HEX HEAD W/LOCKWASHER
12	SN9076		HEX BOLT, NO. 10-24 X 1/2", GR 2, Y/D
13	SNA0007		HOPPER LATCH ASSEMBLY
14	SN474		HEX BOLT, 3/8"-16 X 2", GR 5 Y/D
15	SN9180		LID LOCK
16	SN6381		HEX BOLT, 3/8"-16 X 4 1/2", GR 5, Y/D
17	SN9181		SPACER, LID LOCK, 5/8"L
18	SN2750		HEX BOLT, 1/4"-20 X 1 1/4", GR 2, Y/D
19	SN9179		LID LOCK PLATE
20	SN9049		HOPPER BOTTOM PLATE, 7 1/2', 7 1/2" SP
	SN9050		HOPPER BOTTOM PLATE, 7 1/2', 8" SP
	SN9051		HOPPER BOTTOM PLATE, 7 1/2', 10" SP
21	SN9045		HEX BOLT, 1/4"-20 X 1/2" GR 5, Y/D
22	SNDR12016		SIGHT GLASS
23	SNDR12046		LATCH BRACKET
24	SN3566		LOCK NUT, 3/8"-16 HEX CENTER, GR 2, Y/D

I0003532
PR: t05g30m02c0001

9412 THREE-POINTED MOUNTED DRILL
SERVICE PARTS

10' HOPPER ASSEMBLY



**9412 THREE-POINTED MOUNTED DRILL
SERVICE PARTS**

9

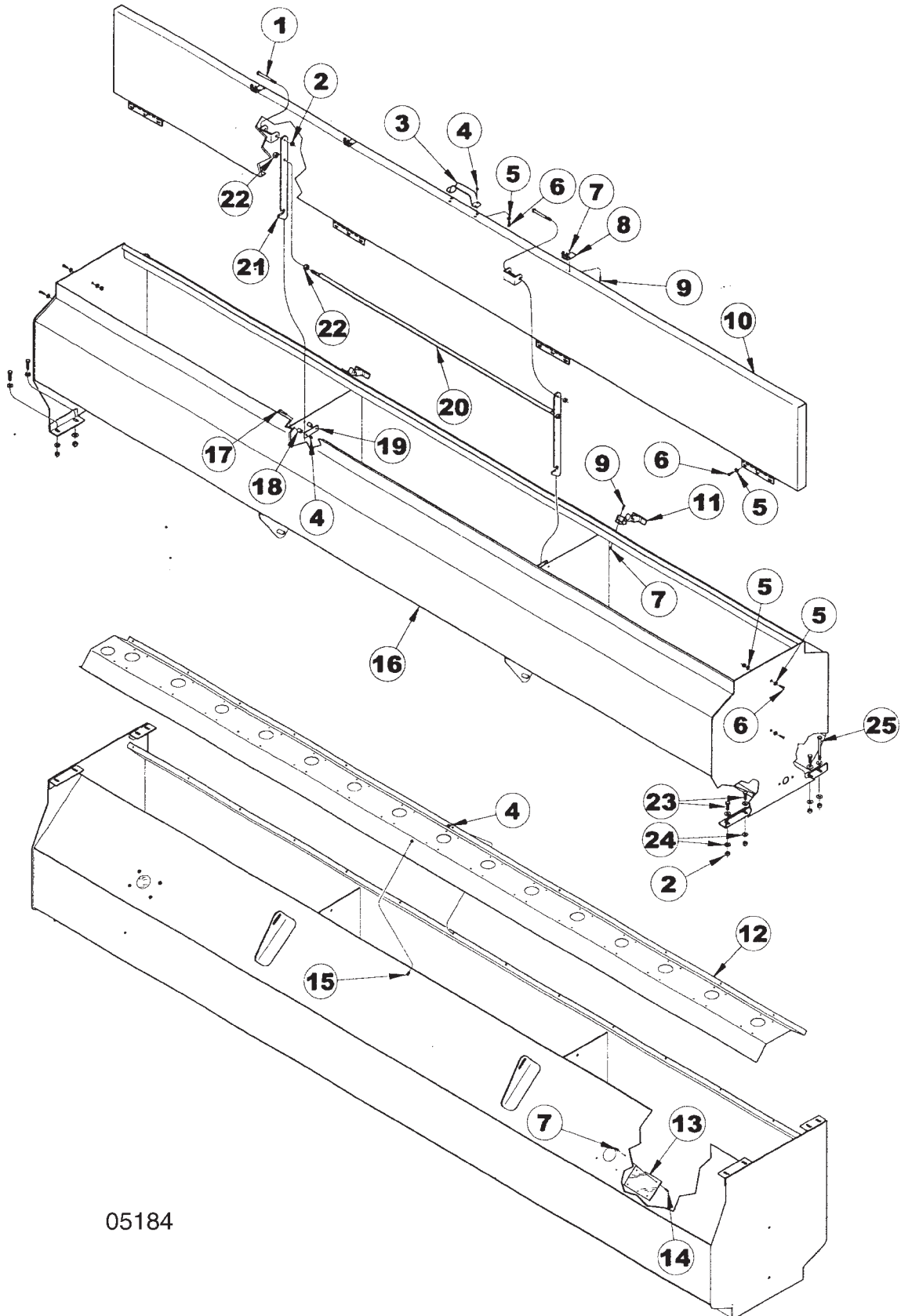
10' HOPPER ASSEMBLY

ITEM	NUMBER	QTY	DESCRIPTION
1	SN3567		LOCK NUT, 3/8"-16 HEX NYLON INSERT, GR 2, Y/D
2	SN317		FLAT WASHER, 3/8", Y/D
3	SN3984		HEX BOLT, 3/8"-16 X 1 1/4", GR 5, Y/D
4	SN9047		HOPPER BOX, 10', 2.4 BU
5	SNDR10025		HEX BOLT, 1/4"-20 X 5/8", GR 5, Y/D
6	SN506		FLAT WASHER, 1/4", Y/D
7	SN6436		HANDLE
8	SN3881		LOCK NUT, 1/4"-20 HEX NYLON INSERT, GR 2, Y/D
9	SN9186		HOPPER LID, 10'
10	SN3565		HEX BOLT, 3/8"-16 X 3 1/2", GR 5, Y/D
11	SN10326		NUT, 10-24 UNC HEX HEAD W/LOCKWASHER
12	SN9076		HEX BOLT, NO. 10-24 X 1/2", GR 2, Y/D
13	SNA0007		HOPPER LATCH ASSEMBLY
14	SN9182		LOCKING ROD, 10'
15	SN9180		LID LOCK
16	SN6381		HEX BOLT, 3/8"-16 X 4 1/2", GR 5, Y/D
17	SN9181		SPACER, LID LOCK, 5/8" LONG
18	SN2750		HEX BOLT, 1/4"-20 X 1 1/4", GR 2, Y/D
19	SN9179		LID LOCK PLATE
20	SN9052		HOPPER BOTTOM PLATE, 10', 7 1/2" SP
	SN9053		HOPPER BOTTOM PLATE, 10', 8" SP
	SN9054		HOPPER BOTTOM PLATE, 10', 10" SP
21	SN9045		HEX BOLT, 1/4"-20 X 1/2" GR 5, Y/D
22	SNDR12016		SIGHT GLASS
23	SNDR12046		LATCH BRACKET
24	SN3566		LOCK NUT, 3/8"-16 HEX CENTER, GR 2, Y/D

I0003536
PR: t05g30m02c0002

9412 THREE-POINTED MOUNTED DRILL
SERVICE PARTS

12 1/2' HOPPER ASSEMBLY



05184

**9412 THREE-POINTED MOUNTED DRILL
SERVICE PARTS**

11

12 1/2' HOPPER ASSEMBLY

ITEM	NUMBER	QTY	DESCRIPTION
1	SN3565		HEX BOLT, 3/8"-16 X 3 1/2", GR 5, Y/D
2	SN3567		LOCK NUT, 3/8"-16 HEX NYLON INSERT
3	SN6436		HANDLE
4	SN3881		LOCK NUT, 1/4"-20 HEX NYLON INSERT, GR 2, Y/D
5	SN506		FLAT WASHER, 1/4", Y/D
6	SNDR10025		HEX BOLT, 1/4"-20 X 5/8", GR 5, Y/D
7	SN10326		NUT, 10-24 UNC HEX HEAD W/LOCKWASHER
8	SNDR12046		LATCH BRACKET
9	SN9076		HEX BOLT, NO. 10-24 X 1/2", GR2, Y/D
10	SN9349R		HOPPER LID, 12 1/2'
11	SNA0007		HOPPER LATCH ASSEMBLY
12	SN9339R		HOPPER BOTTOM PLATE, 12 1/2', 7 1/2" SP
	SN9338R		HOPPER BOTTOM PLATE, 12 1/2', 10" SP
13	SNDR12016		SIGHT GLASS
14	SN9076		HEX BOLT, NO. 10-24 X 1/2", GR 2, Y/D
15	SN9045		HEX BOLT, 1/4"-20 X 1/2" GR 5, Y/D
16	SN9775		HOPPER BOX, 12 1/2', 3 BU
17	SN2750		HEX BOLT, 1/4"-20 X 1 1/4", GR 2, Y/D
18	SN9181		SPACER, LID LOCK, 5/8"L
19	SN9179		LID LOCK PLATE
20	SN9183R		LOCKING ROD, 12.5'
21	SN9180		LID LOCK
22	SN3566		LOCK NUT, 3/8"-16 HEX CENTER, GR 2, Y/D
23	SN3984		HEX BOLT, 3/8"-16 X 1 1/4", GR 5, Y/D
24	SN317		FLAT WASHER, 3/8", Y/D
25	SN6381		HEX BOLT, 3/8"-16 X 4 1/2", GR 5, Y/D

I0005184
PR: t05g30m02c0003

**9412 THREE-POINTED MOUNTED DRILL
SERVICE PARTS**

13

10', 15' & 20' FRAME ASSEMBLY

ITEM	NUMBER	QTY	DESCRIPTION
1	SN9143		TRUSS ARM
2	SN155		HEX BOLT, 1"-8 X 3 1/2", GR 5 Y/D
3	SN3938		LOCK NUT, 1"-8 HEX NYLON INSERT, GR 2, Y/D
4	SN9125		FRAME, GRAIN DRILL, 10' @ 8" SP
	SN9126		FRAME, GRAIN DRILL, 10' @ 7 1/2" & 10" SP
	SN9127		FRAME, GRAIN DRILL, 15' @ 8" SP
	SN9128		FRAME, GRAIN DRILL, 15' @ 7 1/2" & 10" SP
	SN9144		FRAME, GRAIN DRILL, 20' @ 8" SP
	SN9145		FRAME, GRAIN DRILL, 20' @ 7 1/2" & 10" SP
5	SN140		HEX BOLT, 1/2"-13 X 4 1/2", GR 5, Y/D
6	SN486		FLAT WASHER, 1/2", Y/D
7	SN6939		WALKBOARD, 120" (10' & 20')
	SN6941		WALKBOARD, 90" (15')
8	SN5290		FLAT WASHER, 1/2", 3/16" THICK, Y/D
9	SN106		HEX NUT, 3/4"-10 FULL, GR 5, Y/D
10	SN2096		LOCK NUT, 1/2"-13 HEX NYLON INSERT, GR 8, Y/D
11	SN156		HEX BOLT, 1/2"-13 X 3", GR 5 Y/D
12	SN3557		QUICK PIN, 3/8" DIA X 2 1/2"
13	SN7068		WALKBOARD STEP MOUNT
14	SN6955		WALKBOARD ARM, 27 1/4" L
15	SN4738		HEX BOLT, 3/8"-16 X 2 3/4", GR 5, Y/D
16	SN317		FLAT WASHER, 3/8", Y/D
17	SN6675		CHAIN, 13" W/S-HOOK
18	SN6795		PIN, 3/8" X 3 1/4" (3 1/64"), Z/P
19	SN71L-2701		PIN CLIP, 1/2"-5/8" SHAFT, .120" DIA, 1 5/8" L
20	SNDR11507		U-BOLT, 7/16"-14 X 4" X 2 1/2"W, GR 5, Y/D
21	SN6673		WALKBOARD BRACKET
22	SN7219		MOUNT, OPERATOR'S MANUAL TUBE
23	SN3750		OPERATOR'S MANUAL TUBE
24	SN1507		HEX BOLT, 1/2"-13 X 3 1/2", GR 5, Y/D
25	SN3765		HOSE CLAMP, 3 1/2"
26	SN3567		LOCK NUT, 3/8"-16 HEX NYLON INSERT, GR 2, Y/D
27	SNDR10524		LOCK NUT, 7/16"-14 HEX NYLON INSERT, Y/D
28	SN6958R		SPACER, 1.500" OD X 1.125" ID, 1 9/16" L
29	SN6959R		SPACER, 1.00" OD X .563" ID, 1 3/4" L
30	SN7001		SMV EMBLEM
31	SN1193		HEX BOLT, 3/8"-16 X 3/4", GR 5, Y/D
32	SN2566		S.M.V. SOCKET
33	SNBT10258		S.M.V BRACKET
34	SNBT10321		PARKING STAND
35	SNBT10323		MOUNTING BRACKET, PARKING STAND
36	SN2867		PIN CLIP, 1/2"-5/8" SHAFT, .120" DIA, 2" L
37	SN6467		PIN, 1/2" X 3" (2 49/64"), Y/D
38	SN9683		1/2-13 FLANGE TOPLOCK NUT GR G CAD/WAX

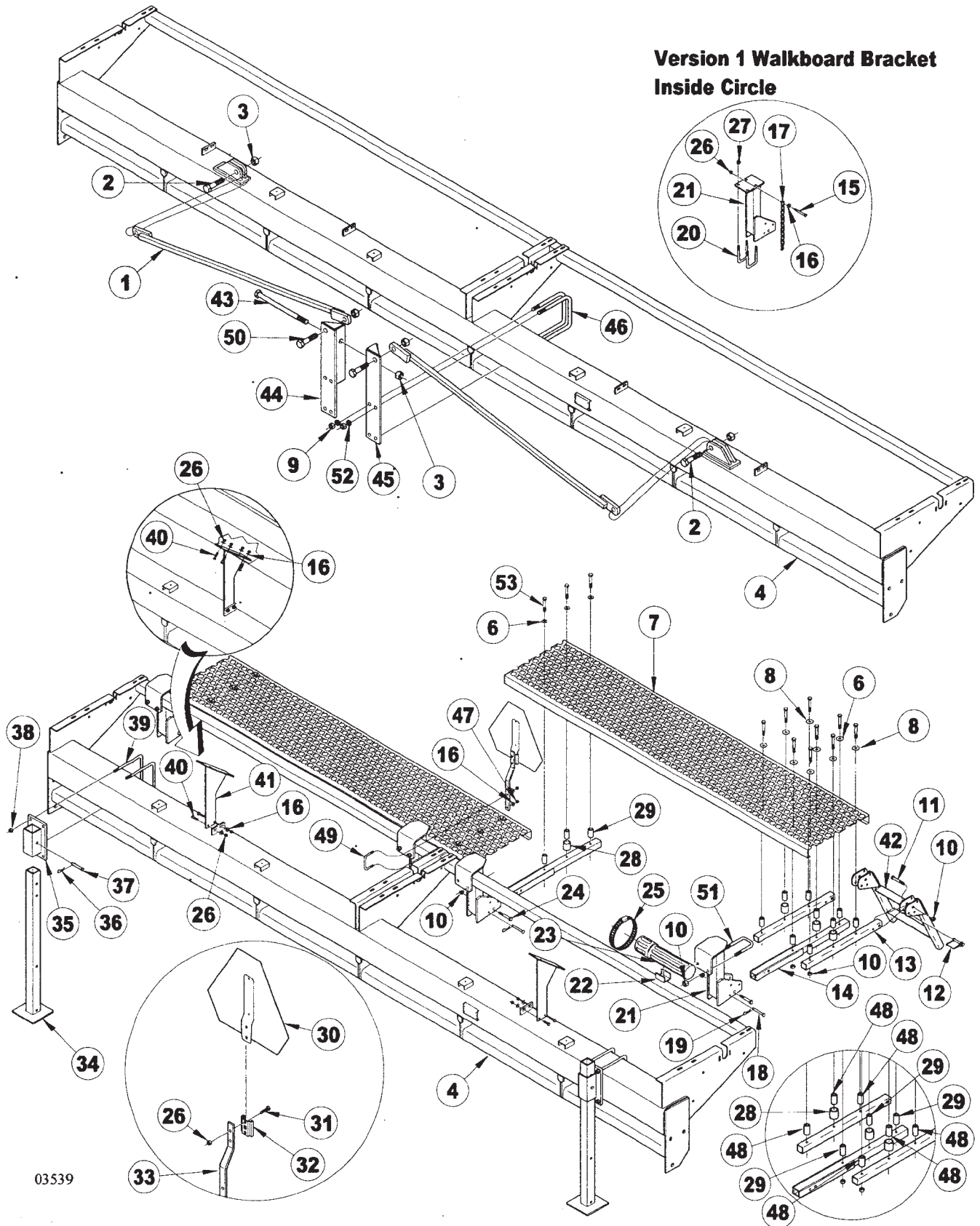
CONTINUED

I0003539
PR: t05g30m02c0004

9412 THREE-POINTED MOUNTED DRILL
SERVICE PARTS

10', 15' & 20' FRAME ASSEMBLY

Version 1 Walkboard Bracket
Inside Circle



9412 THREE-POINTED MOUNTED DRILL
SERVICE PARTS

15

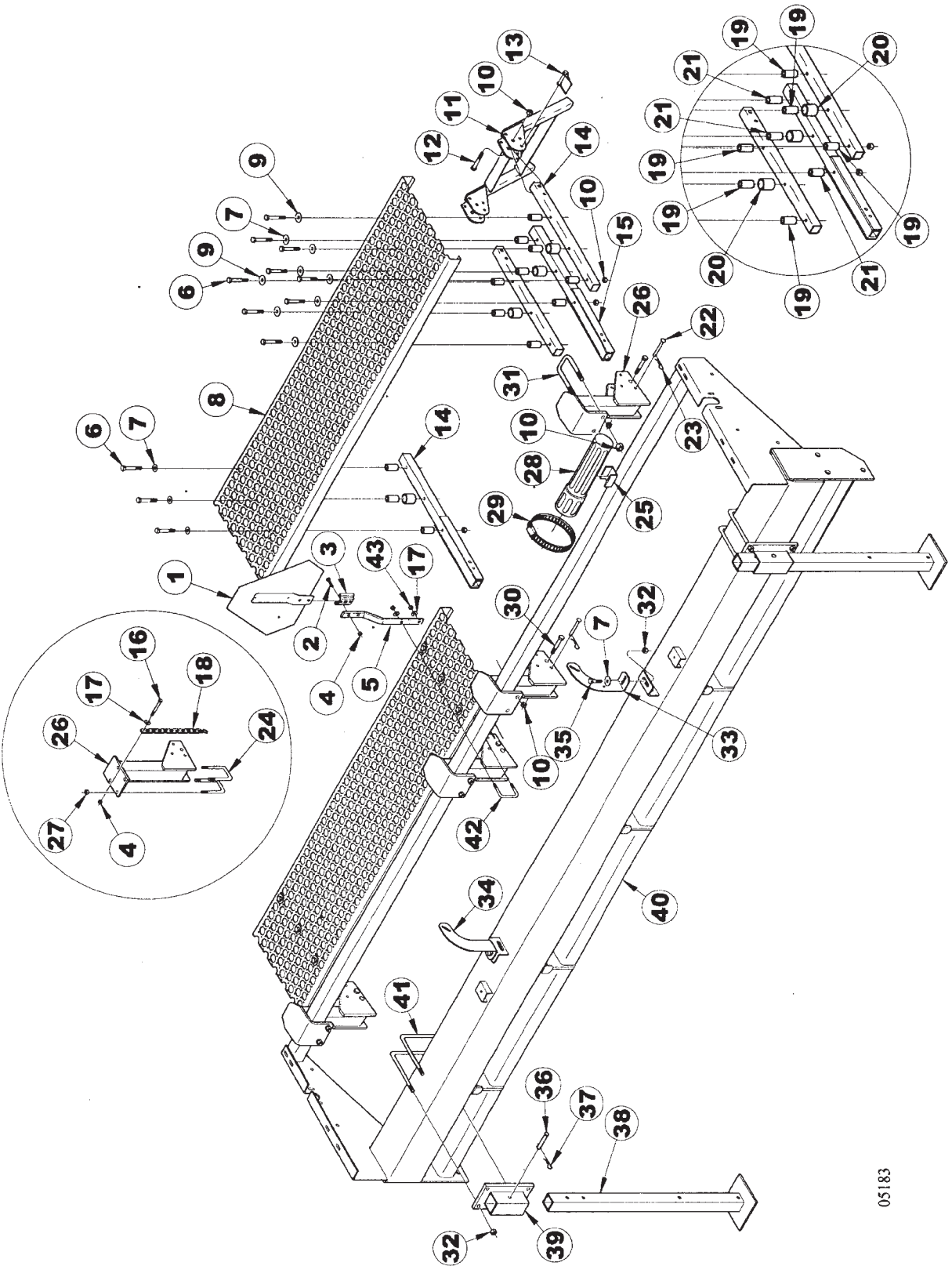
10', 15' & 20' FRAME ASSEMBLY

ITEM	NUMBER	QTY	DESCRIPTION
39	SNDR80018		U-BOLT, 1/2"-13 X 8 1/4" X 7 5/8" W, GR 5, Y/D
40	SN178		HEX BOLT, 3/8"-16 X 1", GR 5, Y/D
41	SN9028		HOPPER BRACE
42	SN7069		WALKBOARD STEP, 18"
43	SN3153		HEX BOLT, 1"-8 X 12", GR 5, Y/D
44	SN9141		UPRIGHT, TRUSS ARM, RT
45	SN9142		UPRIGHT, TRUSS ARM, LT
46	SNDR80019		U-BOLT, 3/4"-10 X 8 3/4" X 7 13/16" W, GR5, Y/D
47	SN3566		LOCK NUT, 3/8"-16 HEX CENTER, GR2, Y/D
48	SN7179		SPACER, 1.00" OD X .563" ID, 1 5/8"
49	SNDR11502		U-BOLT, 3/8"-16 X 2 5/8" X 3 1/2"
50	SN1918		HEX BOLT, 1"-8 X 2 1/2", GR5 Y/D
51	SN4843		U-BOLT, 1/2"-13 X 5 1/4" X 2 1/2" W, GR 5, Y/D
52	SN1040		LOCK WASHER, 3/4" SPLIT TYPE MED, Y/D
53	SN3371		HEX BOLT, 1/2"-13 X 4", GR 5, Y/D

I0003539
PR: t05g30m02c0004

12 1/2' FRAME ASSEMBLY

**Version 1 Walkboard Bracket
Inside Circle**



**9412 THREE-POINTED MOUNTED DRILL
SERVICE PARTS**

17

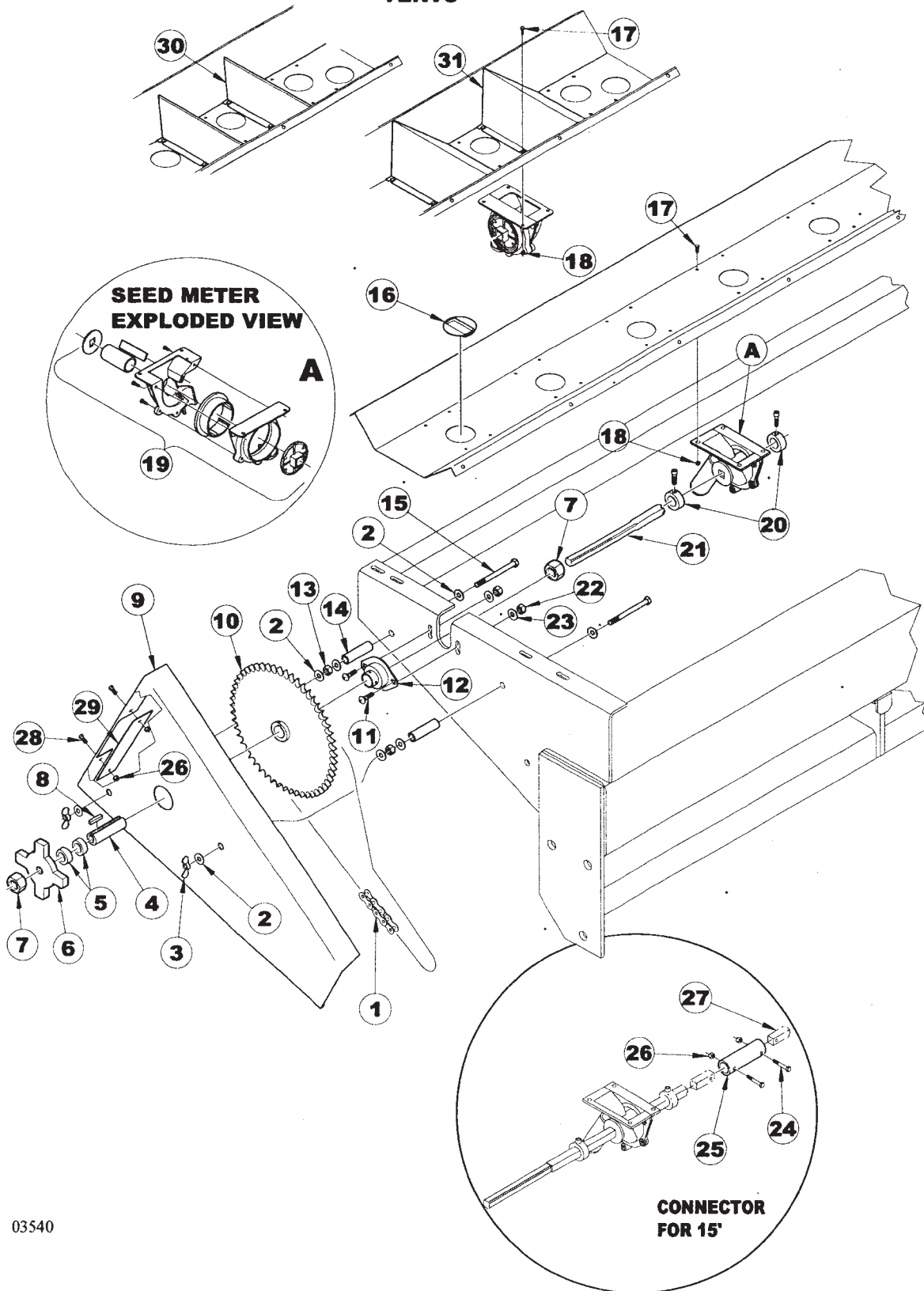
12 1/2' FRAME ASSEMBLY

ITEM	NUMBER	QTY	DESCRIPTION
1	SN7001		SMV EMBLEM
2	SN1193		HEX BOLT, 3/8"-16 X 3/4", GR 5, Y/D
3	SN2566		S.M.V. SOCKET
4	SN3567		LOCK NUT, 3/8"-16 HEX NYLON INSERT
5	SNBT10258		SMV BRACKET
6	SN3371		HEX BOLT, 1/2"-13 X 4", GR 5, Y/D
7	SN486		FLAT WASHER, 1/2", Y/D
8	SN9419		WALKBOARD, 71" L
9	SN5290		FLAT WASHER, 1/2", 3/16" THICK
10	SN2096		LOCK NUT, 1/2"-13 HEX NYLON INSERT
11	SN7069		WALKBOARD STEP, 18"
12	SN156		HEX BOLT, 1/2"-13 X 3", GR 5 Y/D
13	SN3557		QUICK PIN, 3/8" DIA X 2 1/2"
14	SN7068		WALKBOARD STEP MOUNT
15	SN6955		WALKBOARD ARM, 27 1/4" L
16	SN4738		HEX BOLT, 3/8"-16 X 2 3/4", GR 5, Y/D
17	SN317		FLAT WASHER, 3/8", Y/D
18	SN6675		CHAIN, 13" W/S-HOOK
19	SN7179		SPACER, 1.00" OD X .563" ID, 1 5/8"
20	SN6958R		SPACER, 1.500" OD X 1.125" ID, 1 9/16"
21	SN6959R		SPACER, 1.00" OD X .563" ID, 1 3/4"
22	SN6795		PIN, 3/8" X 3 1/4" (3 1/64"), Z/P
23	SN71L-2701		PIN CLIP, 1/2"-5/8" SHAFT, .120"
24	SNDR11507		U-BOLT, 7/16"-14 X 4" X 2 1/2"W, GR 5
25	SN7219		MOUNT, OPERATOR'S MANUAL TUBE
26	SN6673		WALKBOARD BRACKET
27	SNDR10524		LOCK NUT, 7/16"-14 HEX NYLON INSERT
28	SN3750		OPERATOR'S MANUAL TUBE
29	SN3765		HOSE CLAMP, 3 1/2"
30	SN1507		HEX BOLT, 1/2"-13 X 3 1/2", GR 5, Y/D
31	SN4843		U-BOLT, 1/2"-13 X 5 1/4" X 2 1/2" W, GR 5, Y/D
32	SN9683		1/2-13 FLANGE TOPLOCK NUT GR G CAD/WAX
33	SN9788		HOPPER BRACKET, LEFT
34	SN9787		HOPPER BRACKET, RIGHT
35	SN1823		HEX BOLT, 1/2"-13 X 1 1/4", GR 5, Y/D
36	SN6467		PIN, 1/2" X 3" (2 49/64"), Y/D
37	SN2867		PIN CLIP, 1/2"-5/8" SHAFT, .120"
38	SNBT10321		PARKING STAND
39	SNBT10323		MOUNTING BRACKET, PARKING STAND
40	SN9593		FRAME, GRAIN DRILL, 12 1/2'
41	SNDR80018		U-BOLT, 1/2"-13 X 8 1/4" X 7 5/8"
42	SNDR11502		U-BOLT, 3/8"-16 X 2 5/8" X 3 1/2"
43	SN3566		LOCK NUT, 3/8"-16 HEX CENTER, GR 2, Y/D

I0005183
PR: t05g30m02c0005

SHAFT ASSEMBLY

OPTIONAL HOPPER
TENTS



**9412 THREE-POINTED MOUNTED DRILL
SERVICE PARTS**

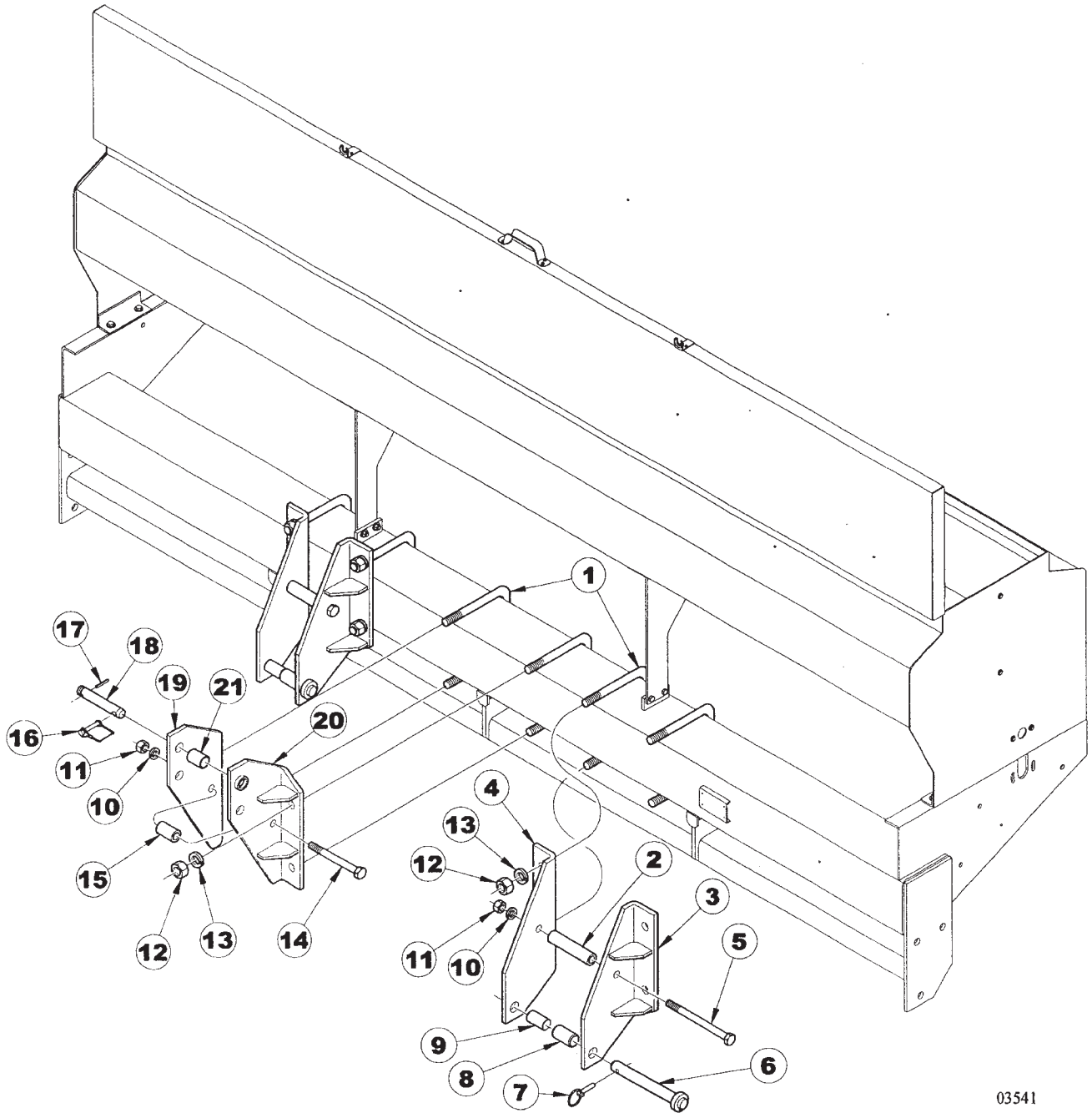
19

SHAFT ASSEMBLY

ITEM	NUMBER	QTY	DESCRIPTION
1	SN9176		CHAIN, 79 3/8" L NO. 50 WITH CONNECTOR
2	SN317		FLAT WASHER, 3/8", Y/D
3	SNDR10506		WING NUT, 3/8"-16, Y/D
4	SNDR41506		BUSHING, KEYED 1" OD X .630" SQ ID, 3 1/4" L, Y/D
5	SNBT10275		SPACER, 1.250" OD X .781" ID, .234" WALL, 15/32" L, Y/D
6	SNB1540		ADJUSTMENT KNOB, Y/D
7	SN1243		JAM NUT, 3/4"-10 HEX, GR 2, Y/D
8	SNDR41509		KEY, 1/4" X 1 1/4" SPROCKET
9	SN9190		CHAIN GUARD, RIGHT (SHOWN)
	SN9191		CHAIN GUARD, LEFT
10	SNDR40506		SPROCKET, 54 TOOTH, 1" BORE #50 CHAIN
11	SN6376		CARRIAGE BOLT, 5/16"-18 X 1" GR 5, Y/D
12	SNDR30009		BEARING, 1" LFST
13	SN177		HEX NUT, 3/8"-16 FULL, GR 2, Y/D
14	SNB2620		SPACER, .750" OD X .500" ID, .125" WALL, 2 5/8" L
15	SNDR10026		HEX BOLT, 3/8"-16 X 4" GR 5, Y/D
16	SNDR12017		PLUG, SEED METER
17	SN9076		HEX BOLT, NO. 10-24 X 1/2" GR2, Y/D
18	SN10326		NUT, 10-24 UNC HEX HEAD W/LOCKWASHER
19	SNA0012		SEED METER ASSEMBLY
20	SN6581		LOCKING COLLAR, 1 1/2" OD X .6325 SQ. W/CAP SCREW
21	SN9433		SHAFT, 154 3/4", 5/8" SQ (12' DRILL)
	SNB1598		SHAFT, 94", 5/8" SQ. (15' DRILL)
	SN9188		SHAFT, 124 3/4", 5/8" SQ (10' & 20' DRILLS)
22	SN6378		LOCK NUT, 5/16" HEX NYLON INSERT GR 5, Y/D
23	SN6377		FLAT WASHER, 5/16" Y/D
24	SN1550		HEX BOLT, 1/4"-20 X 2", GR 2 Y/D
25	SN9189		CONNECTOR, METER SHAFT, 5" L
26	SN3881		LOCK NUT, 1/4"-20 HEX NYLON INSERT, GR 2, Y/D
27	SNB1599		METER SHAFT, 88 1/4", 5/8" SQ(15' DRILL)
28	SN9045		HEX BOLT, 1/4"-20 X 1/2" GR 5, Y/D
29	SN9192R		COVER PLATE, CHAIN GUARD
30	SN9785		SEED BOX TENT, 7 1/2" SP
31	SN9786		SEED BOX TENT, 10" SP

I0003540
PR: t05g30m02c0006

10' THREE-POINT HITCH ASSEMBLY



**9412 THREE-POINTED MOUNTED DRILL
SERVICE PARTS**

21

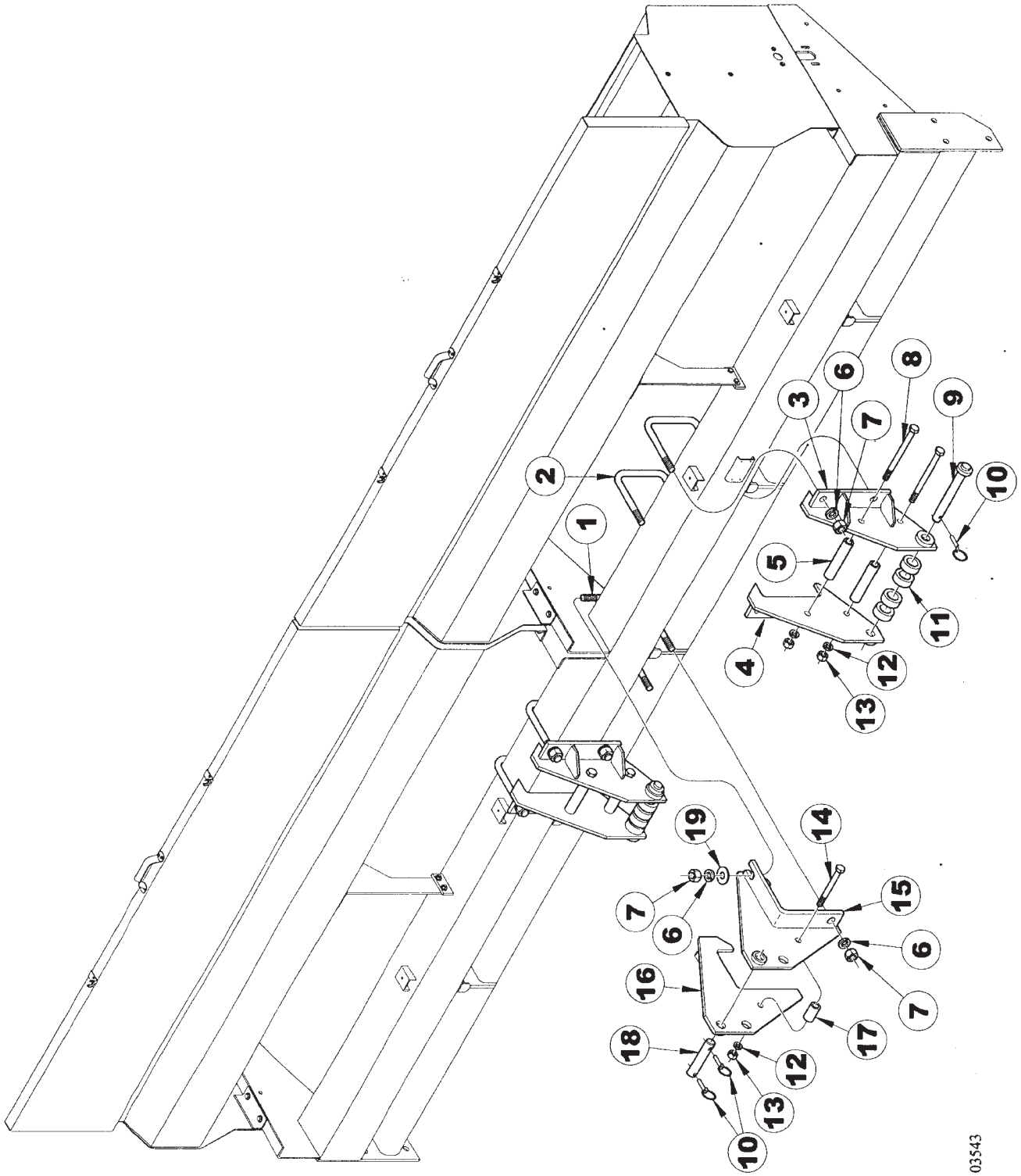
10' THREE-POINT HITCH ASSEMBLY

ITEM	NUMBER	QTY	DESCRIPTION
1	SNDR80044		U-BOLT, 7/8"-9 X 8 3/4" X 7 15/16" W, GR 5, Y/D
2	SNB2528		SPACER, 5 3/4"
3	SNBT10377		THREE POINT HITCH BRACKET, LOWER LEFT
4	SNBT10157		THREE POINT HITCH BRACKET, LOWER RIGHT
5	SN918		HEX BOLT, 3/4"-10 X 8", GR 5, Y/D
6	SN6985		PIN, 1 1/8" X 8 7/8" (7 1/4")
7	SN1860		PIN, 7/16" X 11/32" DIA, 2" L, KLIK
8	SN6572		BUSHING, 1.750" OD X 1.188" ID 2 3/4" L
9	SN6465		BUSHING, CATEGORY II TO III 1 7/16" OD X 1 1/8" I
10	SN1040		LOCK WASHER, 3/4" SPLIT TYPE MED, Y/D
11	SN106		HEX NUT, 3/4"-10 FULL, GR 5, Y/D
12	SN397		HEX NUT, 7/8"-9 FULL, GR 2, Y/D
13	SN396		LOCK WASHER, 7/8" SPLIT TYPE MED, Y/D
14	SN1675		HEX BOLT, 3/4"-10 X 4 1/2", GR5, Y/D
15	SNB2606		CENTER MAST SPACER
16	SN3564		WIRE LOCK PIN, 3/8" X 1 1/2"
17	SN6440		ROLL PIN, 1/4" X 1 3/4" MEDIUM DUTY, Y/D
18	SNDR12031		PIN, 1" X 6" (4 1/4"), Y/D W/ROLL PIN
19	SNBT10154		THREE POINT HITCH BRACKET, UPPER RIGHT
20	SNBT10376		THREE POINT HITCH BRACKET, UPPER LEFT
21	SN6557		BUSHING, CATEGORY II TO III, 1 1/4" OD X 1" ID, 1 3/4" LONG

I0003541
PR: t05g30m02c0007

9412 THREE-POINTED MOUNTED DRILL
SERVICE PARTS

12', 15' & 20' THREE-POINT HITCH
ASSEMBLY



**9412 THREE-POINTED MOUNTED DRILL
SERVICE PARTS**

23

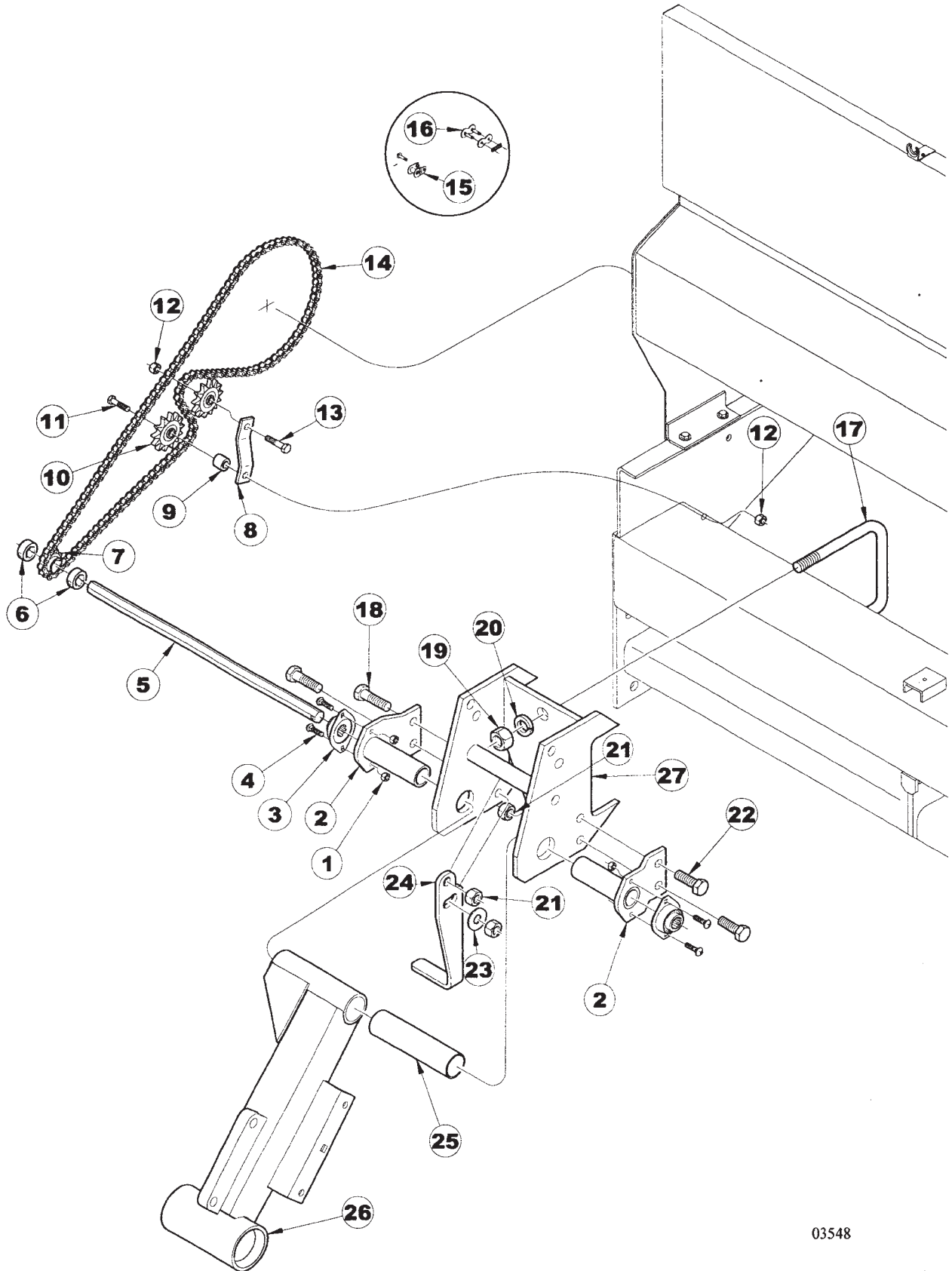
**12', 15' & 20' THREE-POINT HITCH
ASSEMBLY**

ITEM	NUMBER	QTY	DESCRIPTION
1	SN7896		L-BOLT, 1"-8 X 9" X 9", Y/D
2	SN7070		U-BOLT, 1"-8 X 9" X 8 1/16" W, GR 5, Y/D
3	SN7072		THREE POINT HITCH BRACKET, LOWER LEFT, 1" U-BOLT
4	SN7071		THREE POINT HITCH BRACKET, LOWER RIGHT, 1" U-BOLT
5	SN6997		SPACER, 6 1/4"
6	SN1283		LOCK WASHER, 1" SPLIT TYPE MED, Y/D
7	SN110		HEX NUT, 1"-8 FULL, GR 5, Y/D
8	SN2148		HEX BOLT, 3/4"-10 X 8 1/2", GR 5, Y/D
9	SN6817		PIN, 1 7/16" X 10 3/8" (8 3/4")
10	SN1860		PIN, 7/16" X 11/32" DIA, 2" L,KLIK
11	SN6818R		SPACER, 2.500" OD X 1.532" ID, 1" L
12	SN1040		LOCK WASHER, 3/4" SPLIT TYPE MED, Y/D
13	SN106		HEX NUT, 3/4"-10 FULL, GR 5, Y/D
14	SN1675		HEX BOLT, 3/4"-10 X 4 1/2", GR 5, Y/D
15	SN7900		THREE POINT HITCH BRACKET, UPPER LEFT, 1" L-BOLT
16	SN7899		THREE POINT HITCH BRACKET, UPPER RIGHT, 1" L-BOLT
17	SNB2606		CENTER MAST SPACER
18	SN4989		PIN, 1 1/4" X 6 3/8" (4 7/16") Y/D
19	SNFK150173		FLAT WASHER, 1" SAE

I0003543
PR: t05g30m02c0008

9412 THREE-POINTED MOUNTED DRILL
SERVICE PARTS

10', 12' & 15' UPPER GAUGE WHEEL
ASSEMBLY (RIGHT)



**9412 THREE-POINTED MOUNTED DRILL
SERVICE PARTS**

25

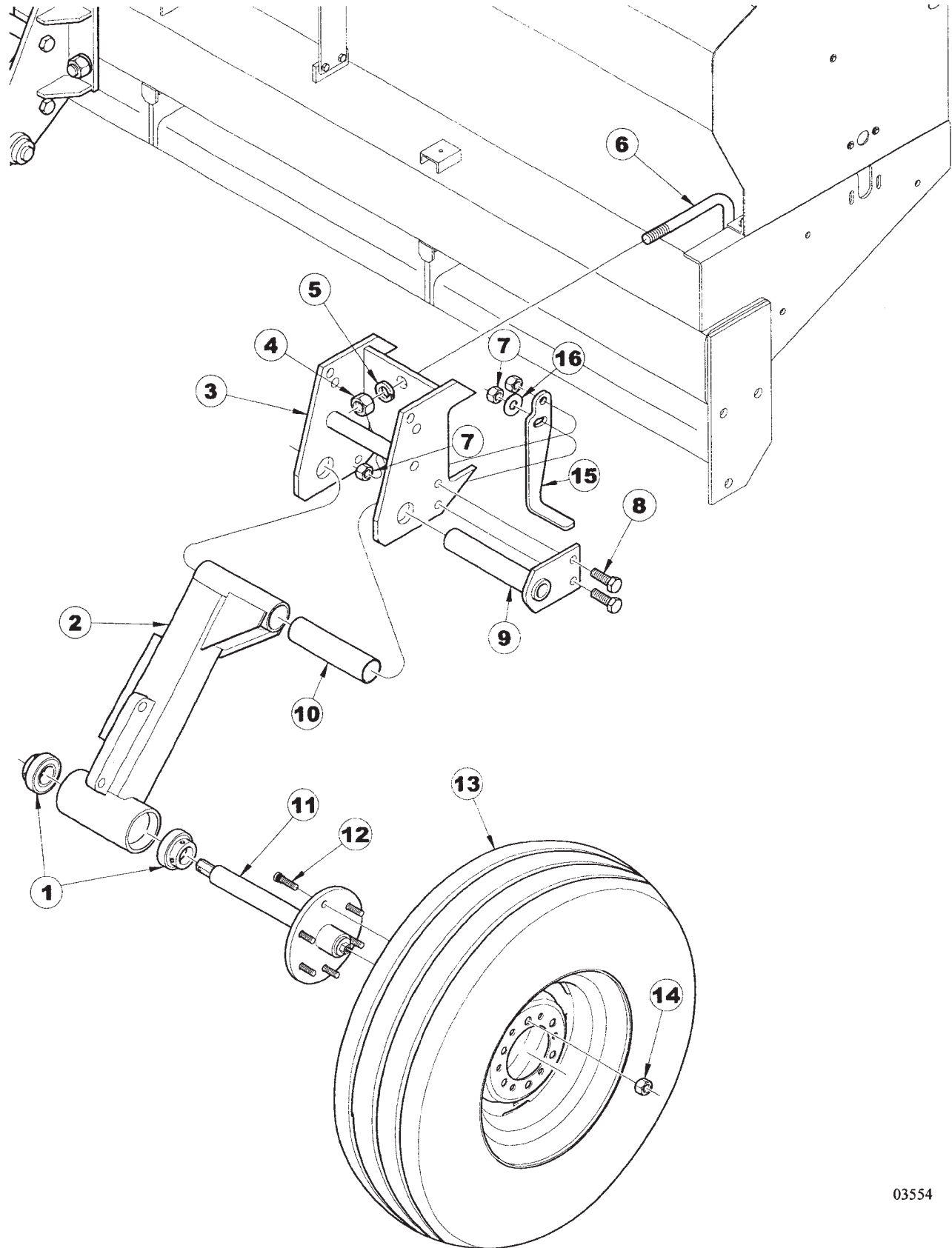
**10', 12' & 15' UPPER GAUGE WHEEL
ASSEMBLY (RIGHT)**

ITEM	NUMBER	QTY	DESCRIPTION
1	SN6378		LOCK NUT, 5/16" HEX NYLON INSERT GR 5, Y/D
2	SN9029		PIVOT BRACKET, GAUGE WHEEL
3	SN9081		BEARING, 7/8" HEX BORE
4	SN6376		CARRIAGE BOLT, 5/16"-18 X 1" GR 5, Y/D
5	SN9147		JACKSHAFT, 7/8" HEX, 19"L (10' DRILL)
	SN9148		JACKSHAFT, 7/8" HEX, 24" L (12' & 15' DRILL)
6	SN9082		SET COLLAR, 7/8" HEX BORE, Y/D
7	SN9077		SPROCKET, 10 TOOTH, 7/8" HEX BORE
8	SN9161		IDLER BRACKET, UPPER
9	SN9166R		SPACER, IDLER SPROCKET, UPPER, 7/8" L
10	SNDR80029		SPROCKET, IDLER
11	SN156		HEX BOLT, 1/2"-13 X 3", GR 5 Y/D
12	SN2096		LOCK NUT, 1/2"-13 HEX NYLON INSERT, GR 8, Y/D
13	SN2045		HEX BOLT, 1/2"-13 X 1 3/4", GR5, Y/D
14	SN9176		CHAIN, 79 3/8" L, #50 (WITH CONNECTOR)
15	SNDR41007		LINK, SINGLE OFFSET #50 CHAIN
16	SNDR41008		LINK, SINGLE CONNECTING #50 CHAIN
17	SN7070		U-BOLT, 1"-8 X 9" X 8 1/16" W, GR 5, Y/D
18	SN1298		HEX BOLT, 5/8"-11 X 2 1/2", GR 5, Y/D
19	SN110		HEX NUT, 1"-8 FULL, GR 5, Y/D
20	SN1283		LOCK WASHER, 1" SPLIT TYPE MED, Y/D
21	SN669-1		LOCK NUT, 5/8" HEX NYLON INSERT, GR 5, Y/D
22	SN670		HEX BOLT, 5/8"-11 X 2", GR 5, Y/D
23	SN2089		FLAT WASHER, 5/8", Y/D
24	SN10292		ARM, WHEEL STOP RIGHT
25	SN9137		BUSHING, 2" OD X 1 3/4" ID, 8"L, PLASTIC
26	SN9129		GAUGE WHEEL AXLE, RT
27	SN9131		MOUNT, GAUGE WHEEL

I0003548
PR: t05g30m02c0009

9412 THREE-POINTED MOUNTED DRILL
SERVICE PARTS

10', 12' & 15' UPPER GAUGE WHEEL
ASSEMBLY (LEFT)



**9412 THREE-POINTED MOUNTED DRILL
SERVICE PARTS**

27

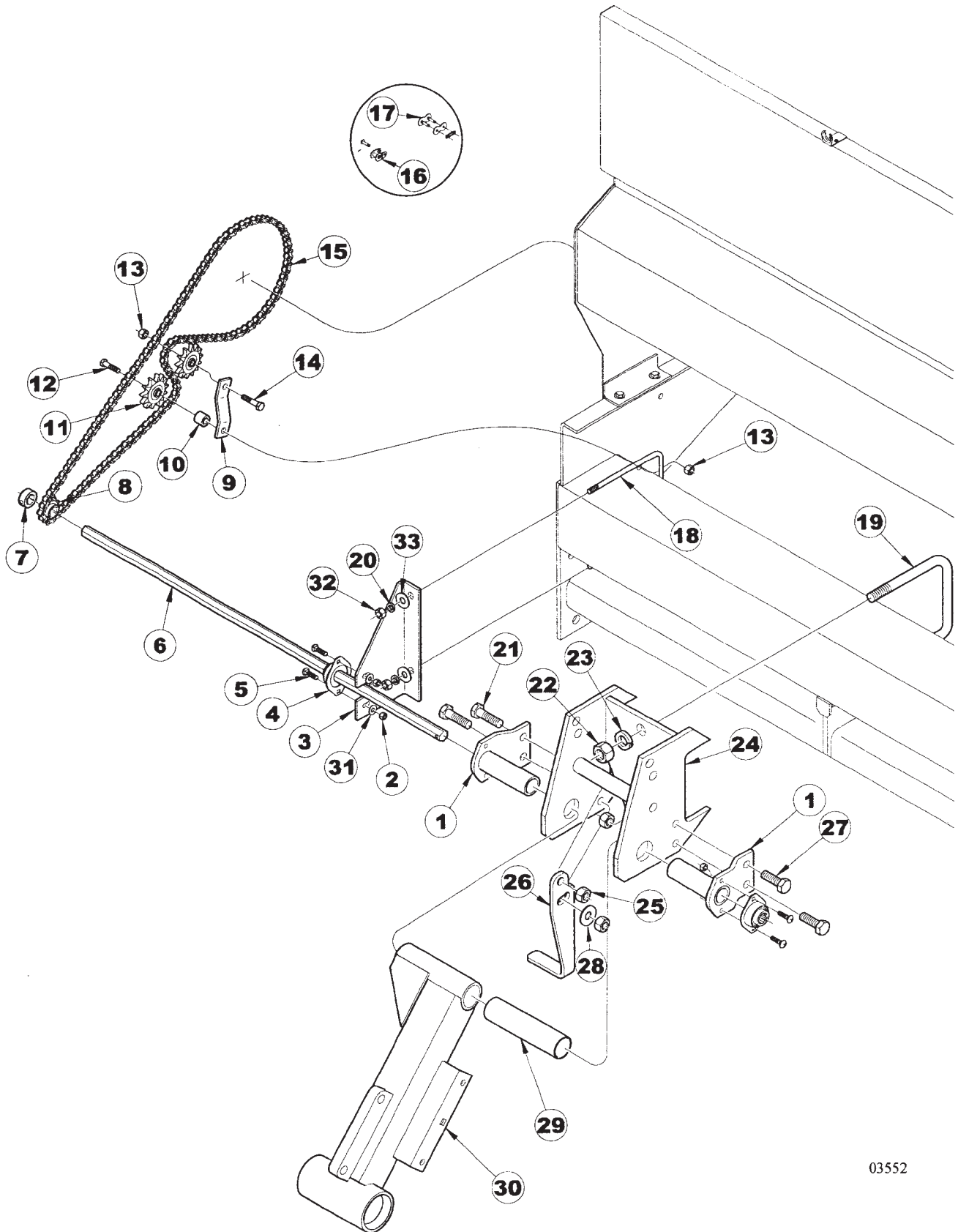
**10', 12' & 15' UPPER GAUGE WHEEL
ASSEMBLY (LEFT)**

ITEM	NUMBER	QTY	DESCRIPTION
1	SNDR30022		BEARING, 1 1/2" BORE W/LOCK COLLAR
2	SN9130		GAUGE WHEEL AXLE, LT
3	SN9131		MOUNT, GAUGE WHEEL
4	SN110		HEX NUT, 1"-8 FULL, GR 5, Y/D
5	SN1283		LOCK WASHER, 1" SPLIT TYPE MED, Y/D
6	SN7070		U-BOLT, 1"-8 X 9" X 8 1/16" W, GR 5, Y/D
7	SN669-1		LOCK NUT, 5/8" HEX NYLON INSERT, GR 5, Y/D
8	SN670		HEX BOLT, 5/8"-11 X 2", GR 5, Y/D
9	SN9134		PIN, GAUGE WHEEL, 10"L
10	SN9137		BUSHING, 2" OD X 1 3/4" ID, 8"L, PLASTIC
11	SN9136		SPINDLE, GAUGE WHEEL, 6 BOLT HUB
12	SN7784		SHOULDER BOLT, 1/2"-20 X 1 7/8" PRESS IN, 3/8" SHOULDER
13	SN5151		TIRE, 9.5L 8 PLY TUBELESS W/15 X 6 WHEEL ASSY 6 BOLT
	SN3578		TIRE, 9.5L X 15, 8 PLY, TUBELESS (FIRESTONE)
	SN5094		WHEEL, 15 X 6, 6-BOLT
	SN3577		VALVE STEM
14	SN1611		LUG NUT, 1/2"-20, GR 5, 90 DEG TAPER, Y/D
15	SN10293		ARM, WHEEL STOP LEFT
16	SN2089		FLAT WASHER, 5/8", Y/D

I0003554
PR: t05g30m02c0010

9412 THREE-POINTED MOUNTED DRILL
SERVICE PARTS

20' UPPER GAUGE WHEEL ASSEMBLY



**9412 THREE-POINTED MOUNTED DRILL
SERVICE PARTS**

29

20' UPPER GAUGE WHEEL ASSEMBLY

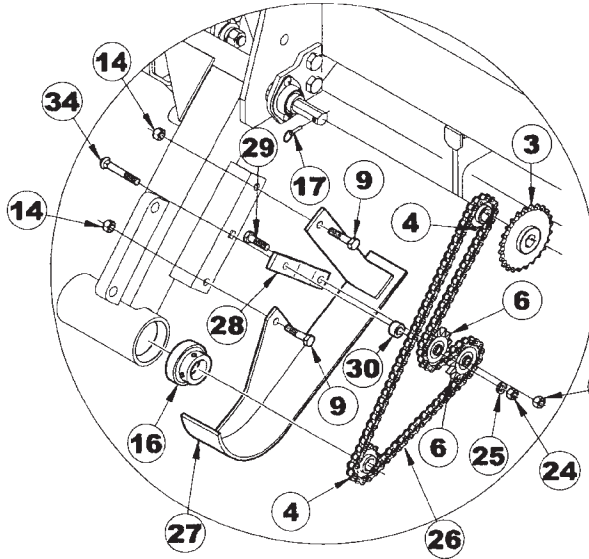
ITEM	NUMBER	QTY	DESCRIPTION
1	SN9029		PIVOT BRACKET, GAUGE WHEEL
2	SN6378		LOCK NUT, 5/16" HEX NYLON INSERT GR 5, Y/D
3	SN9170		BEARING BRACKET, RT (SHOWN)
	SN9171		BEARING BRACKET, LT
4	SN9081		BEARING, 7/8" HEX BORE
5	SN6376		CARRIAGE BOLT, 5/16"-18 X 1" GR 5, Y/D
6	SN9149		JACKSHAFT, 7/8" HEX, 42" L
7	SN9082		SET COLLAR, 7/8" HEX BORE, Y/D
8	SN9077		SPROCKET, 10 TOOTH, 7/8" HEX BORE
9	SN9161		IDLER BRACKET, UPPER
10	SN9166R		SPACER, IDLER SPROCKET, UPPER, 7/8" L
11	SNDR80029		SPROCKET, IDLER
12	SN156		HEX BOLT, 1/2"-13 X 3", GR 5 Y/D
13	SN2096		LOCK NUT, 1/2"-13 HEX NYLON INSERT, GR 8, Y/D
14	SN2045		HEX BOLT, 1/2"-13 X 1 3/4", GR5, Y/D
15	SN9176		CHAIN, 79 3/8" L NO. 50 WITH CONNECTOR
16	SNDR41007		LINK, SINGLE OFFSET #50 CHAIN
17	SNDR4100		LINK, SINGLE CONNECTING #50 CHAIN
18	SNDR80018		U-BOLT, 1/2"-13 X 8 1/4" X 7 5/8" W, GR 5, Y/D
19	SN7070		U-BOLT, 1"-8 X 9" X 8 1/16" W, GR 5, Y/D
20	SN113		LOCK WASHER, 1/2" SPLIT TYPE MED, Y/D
21	SN1298		HEX BOLT, 5/8"-11 X 2 1/2", GR 5, Y/D
22	SN110		HEX NUT, 1"-8 FULL, GR 5, Y/D
23	SN1283		LOCK WASHER, 1" SPLIT TYPE MED, Y/D
24	SN9131		MOUNT, GAUGE WHEEL
25	SN669-1		LOCK NUT, 5/8" HEX NYLON INSERT, GR 5, Y/D
26	SN10292		ARM, WHEEL STOP RIGHT
	SN10293		ARM, WHEEL STOP LEFT
27	SN670		HEX BOLT, 5/8"-11 X 2", GR 5, Y/D
28	SN2089		FLAT WASHER, 5/8", Y/D
29	SN9137		BUSHING, 2" OD X 1 3/4" ID, 8"L, PLASTIC
30	SN9129		GAUGE WHEEL AXLE, RT (SHOWN)
	SN9130		GAUGE WHEEL AXLE, LT
31	SN6377		FLAT WASHER, 5/16" Y/D
32	SN114		HEX NUT, 1/2"-13 FULL, GR2, Y/D
33	SN486		1/2" FLAT WASHER

I0003552
PR: t05g30m02c0011

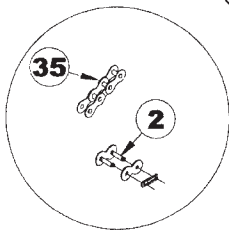
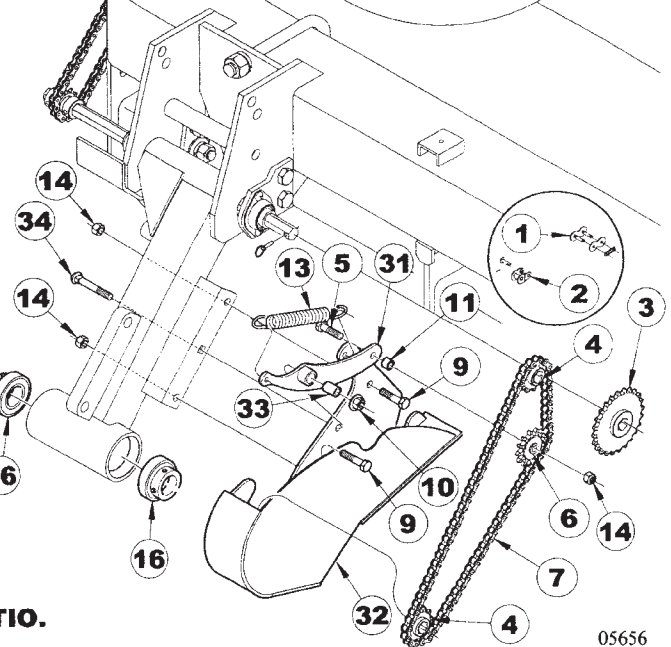
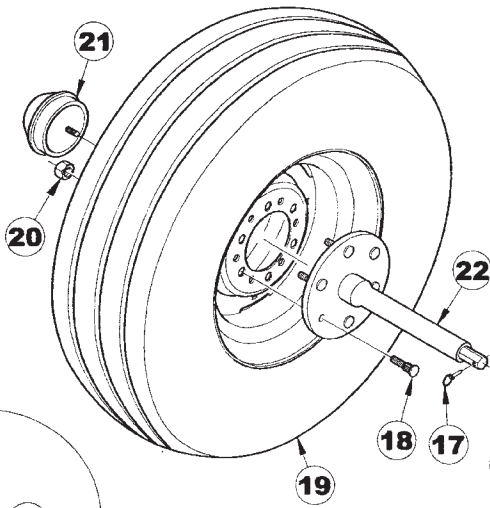
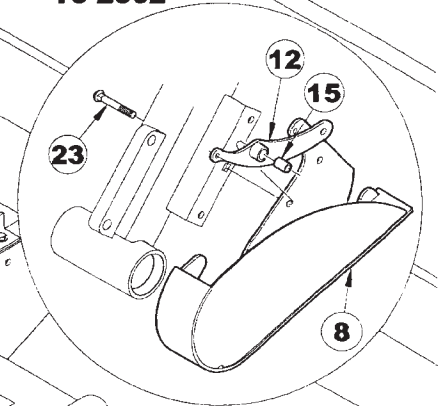
9412 THREE-POINTED MOUNTED DRILL
SERVICE PARTS

10', 12', 15' & 20' LOWER GAUGE WHEEL
ASSEMBLY

YEAR 2000
AND EARLIER DRILLS



YEAR 2000
TO 2002



ITEMS #2 & #35 ARE USED
WITH SPROCKET #3 WHEN
SEEDING AT A 2:1 OR 1:2 RATIO.

**9412 THREE-POINTED MOUNTED DRILL
SERVICE PARTS**

31

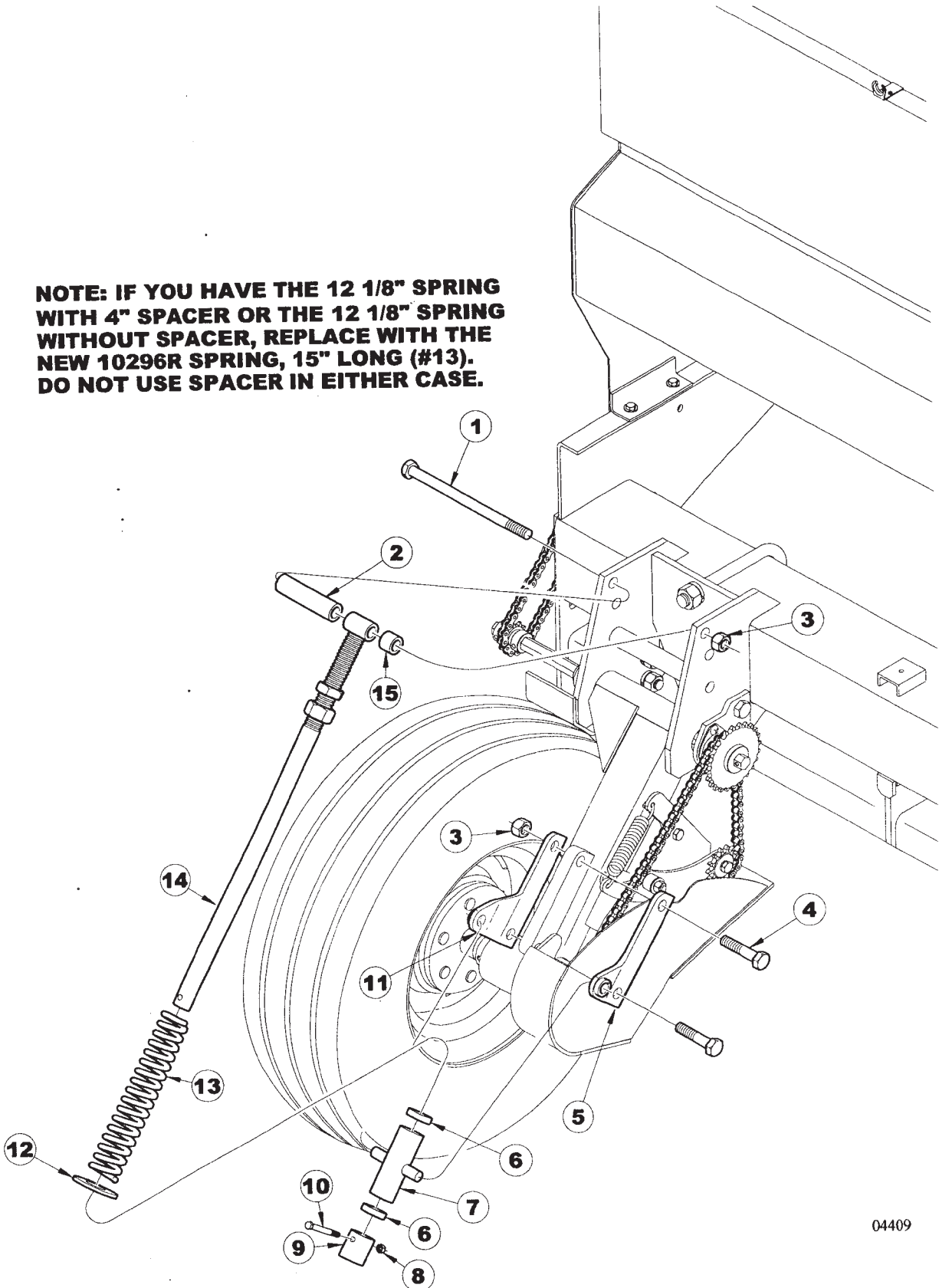
**10', 12', 15' & 20' LOWER GAUGE WHEEL
ASSEMBLY**

ITEM	NUMBER	QTY	DESCRIPTION
1	SNDR41008		LINK, SINGLE CONNECTING #50 CHAIN
2	SNDR41007		LINK, SINGLE OFFSET #50 CHAIN
3	SN9079		SPROCKET, 24 TOOTH, 7/8" HEX BORE
4	SN9078		SPROCKET, 12 TOOTH, 7/8" HEX BORE
5	SN112		HEX BOLT, 1/2"-13 X 2 1/2" GR 5, Y/D
6	SNDR80029		SPROCKET, IDLER
7	SN12360		CHAIN, 48 11/16" L NO. 50
8	SN9882		CHAIN GUARD, GW, LT
	SN9881		CHAIN GUARD, GW, RT
9	SN1823		HEX BOLT, 1/2"-13 X 1 1/4", GR 5, Y/D
10	SN9683		HFN 1/2"-13 GR5 Y/D
11	SN9886		BUSHING, 3/4" OD X 1/2" ID, 17/32" L
12	SN9884		IDLER BRACKET, LEFT
	SN9883		IDLER BRACKET, RIGHT
13	SN10325		SPRING, .105" WIRE DIA X 4 3/4" L EXTENSION Y/D
14	SN2096		LOCK NUT, 1/2"-13 HEX NYLON INSERT
15	SN9887		BUSHING, 3/4" OD X 1/2" ID, 1 1/16"L, Y/D
16	SNDR30022		BEARING, 1 1/2" BORE W/LOCK COLLAR
17	SN9083		KLIK PIN, 1/4" DIA X 2 1/8"
18	SN7784		SHOULDER BOLT, 1/2"-20 X 1 7/8" PRESS IN, 3/8" SHOULDER
19	SN5151		TIRE, 9.5L 8 PLY TUBELESS W/15 X 6 WHEEL ASSY 6 BOLT
	SN3578		TIRE, 9.5L X 15, 8 PLY, TUBELESS
	SN5094		WHEEL, 15 X 6, 6-BOLT
	SN3577		VALVE STEM
20	SN1611		LUG NUT, 1/2"-20, GR 5, 90 DEG TAPER, Y/D
21	SNDR41515		ACREMETER, 9.5L-15 X 10'
	SN9652		ACREMETER, 9.5L-15 X 12 1/2'
	SNDR41516		ACREMETER, 9.5L-15 X 15'
	SNDR41517		ACREMETER, 9.5L/11L-15 X 20'
22	SN9136		SPINDLE, GAUGE WHEEL, 6 BOLT HUB
23	SN9939		CARRIAGE BOLT, 1/2"-13 X 2 1/2", GR5, Y/D
24	SN114		HEX NUT, 1/2"-13 FULL, GR 2, Y/D
25	SN113		LOCK WASHER, 1/2" SPLIT TYPE MED, Y/D
26	SN9177		CHAIN, 55 5/8" L NO. 50
27	SN9111		CHAIN GUARD, GW, RT
	SN9112		CHAIN GUARD, GW, LT
28	SN9160		IDLER BRACKET, LOWER
29	SN2045		HEX BOLT, 1/2"-13 X 1 3/4", GR5, Y/D
30	SN9165		SPACER, IDLER SPROCKET, LOWER, 9/16"L
31	SN10357		IDLER WELDMENT, CHAIN LEFT
	SN10356		IDLER WELDMENT, CHAIN RIGHT
32	SN10359		GUARD, CHAIN LEFT
	SN10358		GUARD, CHAIN RIGHT
33	SN10355		BUSHING, IDLER .750" OD X .532" ID, 1 9/16" L
34	SN9178		CARRIAGE BOLT, 1/2"-13 X 3", GR 5, Y/D
35	SN12361		CHAIN, 2 7/16" L NO. 50

I0005656
PR: t05g30m02c0012

TURNBUCKLE ASSEMBLY

NOTE: IF YOU HAVE THE 12 1/8" SPRING WITH 4" SPACER OR THE 12 1/8" SPRING WITHOUT SPACER, REPLACE WITH THE NEW 10296R SPRING, 15" LONG (#13). DO NOT USE SPACER IN EITHER CASE.



9412 THREE-POINTED MOUNTED DRILL
SERVICE PARTS

33

TURNBUCKLE ASSEMBLY

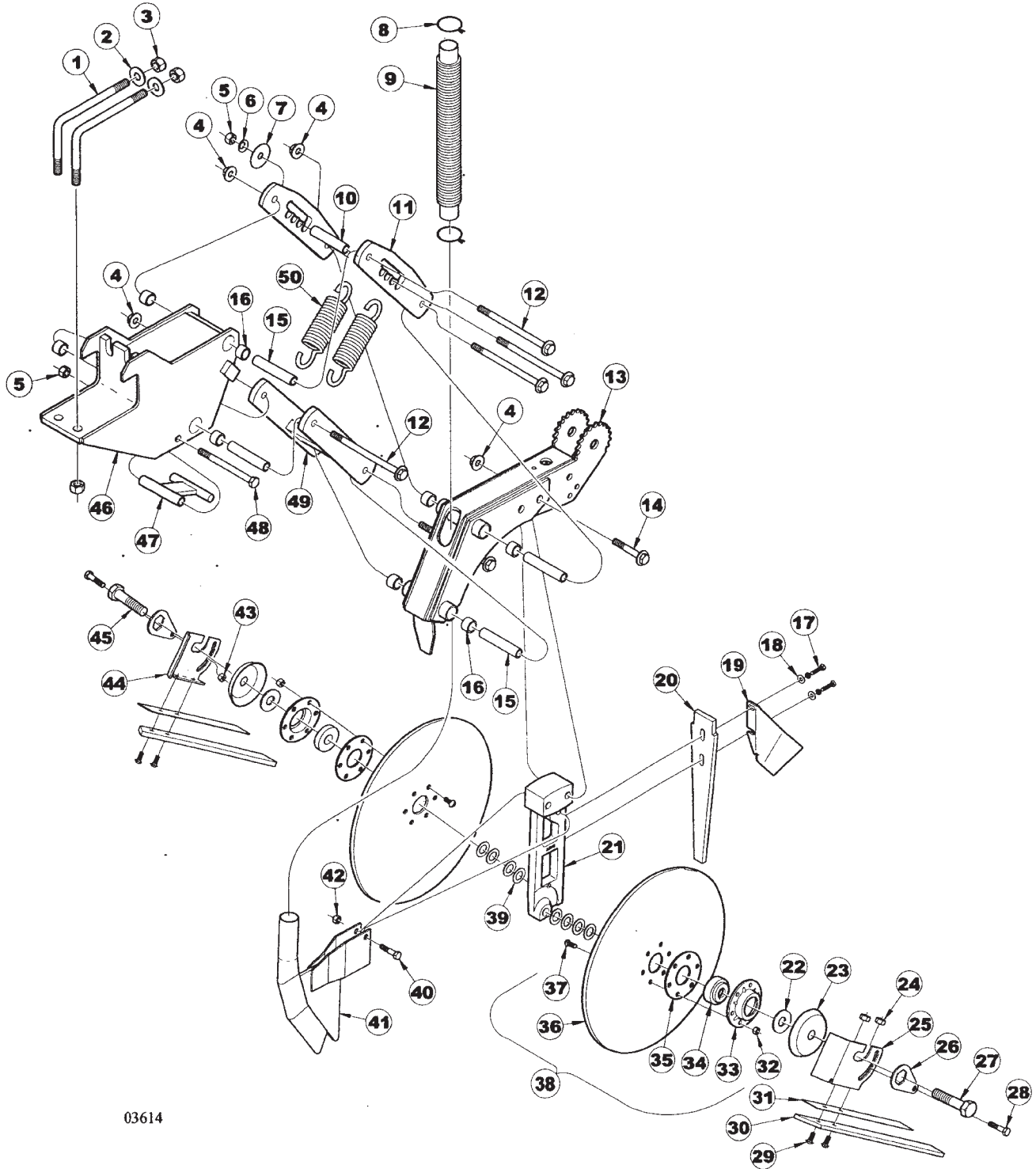
ITEM	NUMBER	QTY	DESCRIPTION
1	SN3411		HEX BOLT, 3/4"-10 X 11", GR 5, Y/D
2	SN9163		SPACER, GW MOUNT, 5 1/8" L
3	SNHEN3410		LOCK NUT, 3/4" HEX NYLON INSERT, GR 5, Y/D
4	SN1345		HEX BOLT, 3/4"-10 X 3", GR 5, Y/D
5	SN7519		BRACKET, GAUGE WHEEL LEFT
6	SN7638R		SPACER TUBE, 1/2"
7	SN7517		CROSS, GAUGE WHEEL
8	SN3567		LOCK NUT, 3/8"-16 HEX NYLON INSERT, GR 2, Y/D
9	SN10569		COLLAR, 1.750" OD X 1.274" ID, 2" L
10	SN2487		HEX BOLT, 3/8"-16 X 2 1/2", GR 5, Y/D
11	SN7518		BRACKET, GAUGE WHEEL RIGHT
12	SNFK150172		FLAT WASHER, 1 1/4" SAE, Y/D
13	SN10296		* SPRING, 2.1875" OD X 1.4375" ID X 15" L, COMPRESSION .375" DIA
14	SNB4103		TURNBUCKLE SCREW, Y/D
15	SN9164		SPACER, GW MOUNT, 1" L

*NOTE: IF YOU HAVE THE 12 1/8" SPRING
WITH 4" SPACER OR THE 12 1/8" SPRING
WITHOUT SPACER, REPLACE WITH THE NEW
10296R SPRING 15" LONG (#13). DO NOT USE
THE SPACER IN EITHER CASE.

I0004409
PR: t05g30m02c0013

9412 THREE-POINTED MOUNTED DRILL
SERVICE PARTS

ALL PURPOSE OPENER ASSEMBLY (YEAR 2000
& EARLIER DRILLS)



**9412 THREE-POINTED MOUNTED DRILL
SERVICE PARTS**

35

**ALL PURPOSE OPENER ASSEMBLY (YEAR 2000
& EARLIER DRILLS)**

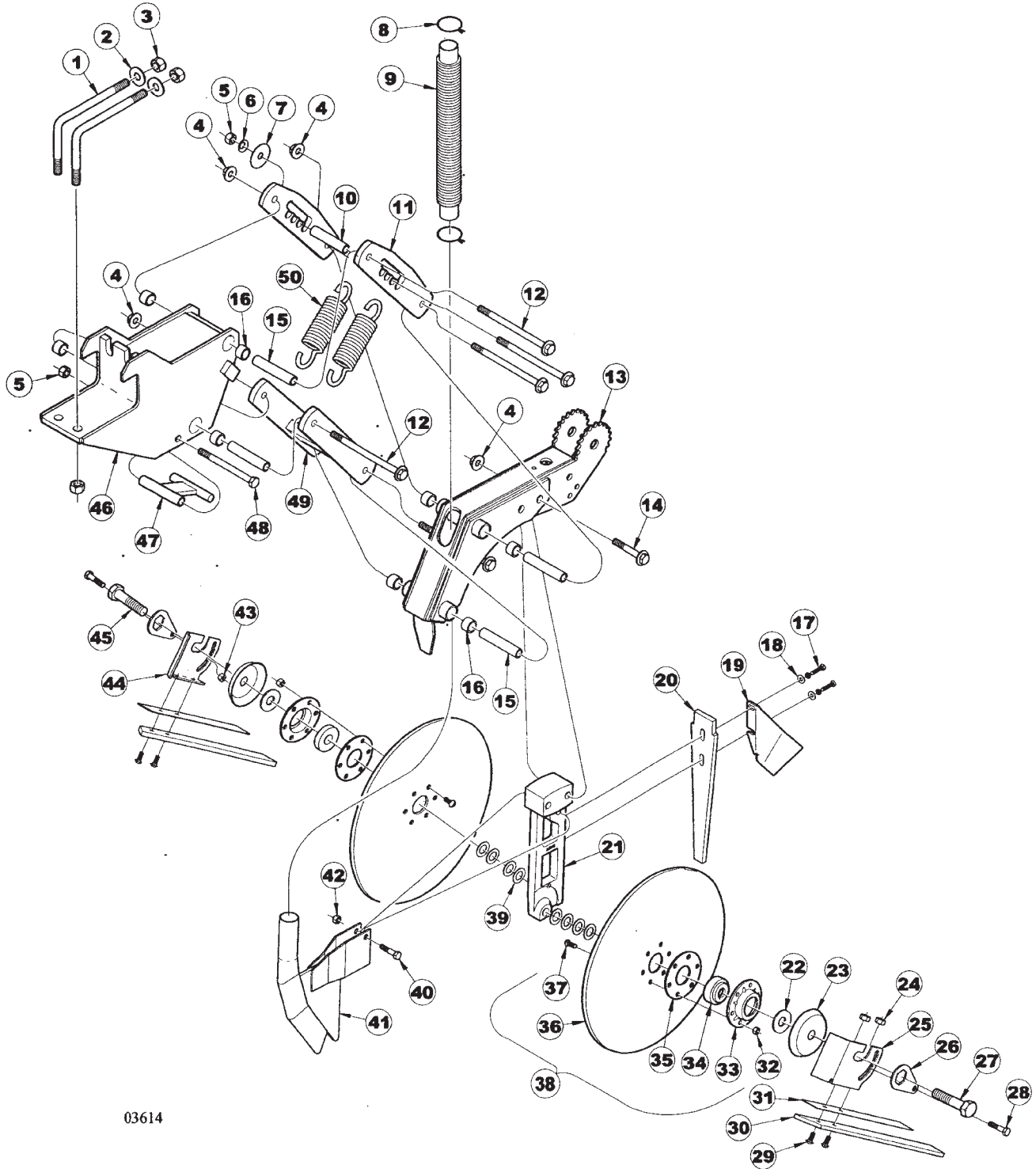
ITEM	NUMBER	QTY	DESCRIPTION
1	SN7024		L-BOLT, 5/8"-11 X 4 5/8" X 6 5/8", Y/D
2	SNFK150283		FLAT WASHER, 5/8" SAE, Y/D
3	SN669-1		LOCK NUT, 5/8" HEX NYLON INSERT, GR 5, Y/D
4	SN9683		1/2"-13 FLANGE TOPLOCK NUT GR G CAD/WAX
5	SN2096		LOCK NUT, 1/2"-13 HEX NYLON INSERT
6	SN6618		WASHER, .531" ID X .813" OD, .129" CROWN HEIGHT, CURVED
7	SN6619		WASHER, .531" ID X 2.000" OD X .058" THICK, Y/D
8	SNDR12011		CLAMP, SEED TUBE
9	SNDR20004		SEED TUBE, RUBBER
10	SN7033B		SPACER TUBE, 4 1/2" L, ALL PURPOSE
11	SN7032		PARALLEL LINKAGE, 11" TOP, ALL PURPOSE
12	SN9680		HHFS 1/2"-13 X 6 1/2" GR5 Y/D
13	SN7034B		OPENER FRAME, ALL PURPOSE
14	SN9682		HHFS 1/2"-13 X 3 3/4" GR5 Y/D
15	SN7029		CLAMP BUSHING, 4 21/32"
16	SN5935		BUSHING, 1" OD X 3/4" ID, 5/8" L (HARD) SPRING
17	SN3722		HEX BOLT, 5/16"-18 X 1", GR 5, Y/D
18	SN6377		FLAT WASHER, 5/16" Y/D
19	SN7803		SCRAPER, SHORT RIGID
	SN7804		SCRAPER, LONG RIGID
20	SN7202		TRASH DEFLECTOR
21	SN7272		OPENER BAR, ALL PURPOSE (LONG) (SHOWN)
	SN7271		OPENER BAR, ALL PURPOSE (SHORT)
22	SN893		FLAT WASHER, 3/4" Y/D
23	SNB1127		DUST CAP
24	SN6378		LOCK NUT, 5/16" HEX NYLON INSERT GR 5, Y/D
25	SN7205		MOUNTING BRACKET, SOIL CONTROL DEVICE LEFT
26	SN7203		LOCKING ARM
27	SNDR81044		HEX BOLT, 3/4"-10 LH X 2", GR 5, Y/D
28	SN1193		HEX BOLT, 3/8"-16 X 3/4", GR 5, Y/D
29	SN6376		CARRIAGE BOLT, 5/16"-18 X 1" GR 5, Y/D
30	SN7201		SOIL CONTROL STRIP
31	SN7859		SUPPORT, SOIL CONTROL STRIP
32	SNDR10508		LOCK NUT, 5/16"-18 HEX CENTER GR 2, Y/D
33	SNB1120		BEARING FLANGE, 6 HOLE, Y/D

CONTINUED

I0003614
PR: t05g30m02c0014

9412 THREE-POINTED MOUNTED DRILL
SERVICE PARTS

ALL PURPOSE OPENER ASSEMBLY (YEAR 2000
& EARLIER DRILLS)



9412 THREE-POINTED MOUNTED DRILL

37

SERVICE PARTS

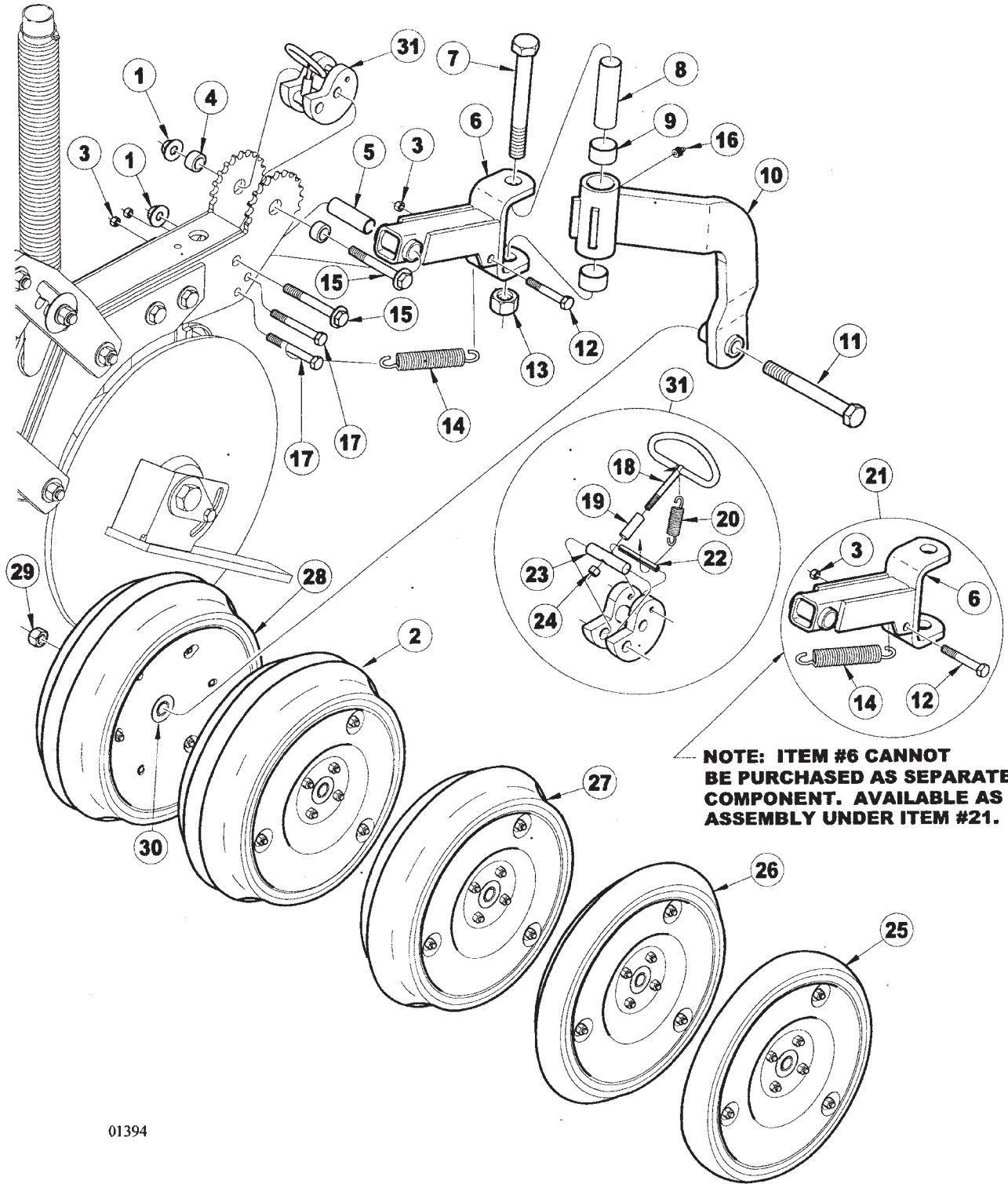
ALL PURPOSE OPENER ASSEMBLY (YEAR 2000
& EARLIER DRILLS)

ITEM	NUMBER	QTY	DESCRIPTION
34	SNDR30005		BEARING
35	SNB5000		BEARING PLATE, 6 HOLE, Y/D
36	SN7176		15" BLADE, 1 1/2" BORE 3.5 MM 6 BOLT
37	SN6514		CAP SCREW, 5/16"-18 X 3/4" BUTTON SOCKET HEAD, GR 8 BLACK
38	SN7261		OPENER BLADE & BRG ASSEMBLY, ALL PURPOSE
39	SNDR80011		WASHER, MACHINE
40	SN175		HEX BOLT, 3/8"-16 X 1 1/2", GR 5, Y/D
41	SN7038		SEED TUBE, ALL PURPOSE
42	SN3566		LOCK NUT, 3/8"-16 HEX CENTER, GR 2, Y/D
43	SN3567		LOCK NUT, 3/8"-16 HEX NYLON INSERT, GR 2, Y/D
44	SN7204		MOUNTING BRACKET, SOIL CONTROL DEVICE RIGHT
45	SN1220		HEX BOLT, 3/4"-10 X 2", GR 5 Y/D
46	SN7028		OPENER MOUNT, LONG, ALL PURPOSE (SHOWN)
	SN7027		OPENER MOUNT, SHORT, ALL PURPOSE
47	SN7030B		SPRING ANCHOR, ALL PURPOSE
48	SN840		HEX BOLT, 1/2"-13 X 5 1/2", GR 5, Y/D
49	SN7031		PARALLEL LINKAGE, 11" LOWER, ALL PURPOSE
50	SN7026		SPRING, 1.6875" OD X 1.1635" ID, 7 5/16" L, EXTENSION
	SN9105		ALL PURPOSE OPENER ASSEMBLY, SHORT RIGID (INCLUDES ALL ABOVE ITEMS AND THE ALL PURPOSE PRESS WHEEL FRAME ASSEMBLY, LESS THE PRESS WHEELS.)
	SN9106		ALL PURPOSE OPENER ASSEMBLY, LONG RIGID (INCLUDES ALL ABOVE ITEMS AND THE ALL PURPOSE PRESS WHEEL FRAME ASSEMBLY, LESS THE PRESS WHEELS.)

I0003614
PR: t05g30m02c0014

9412 THREE-POINTED MOUNTED DRILL
SERVICE PARTS

ALL PURPOSE PRESS WHEEL ASSEMBLY
(YEAR 2000 & EARLIER DRILLS)



**9412 THREE-POINTED MOUNTED DRILL
SERVICE PARTS**

39

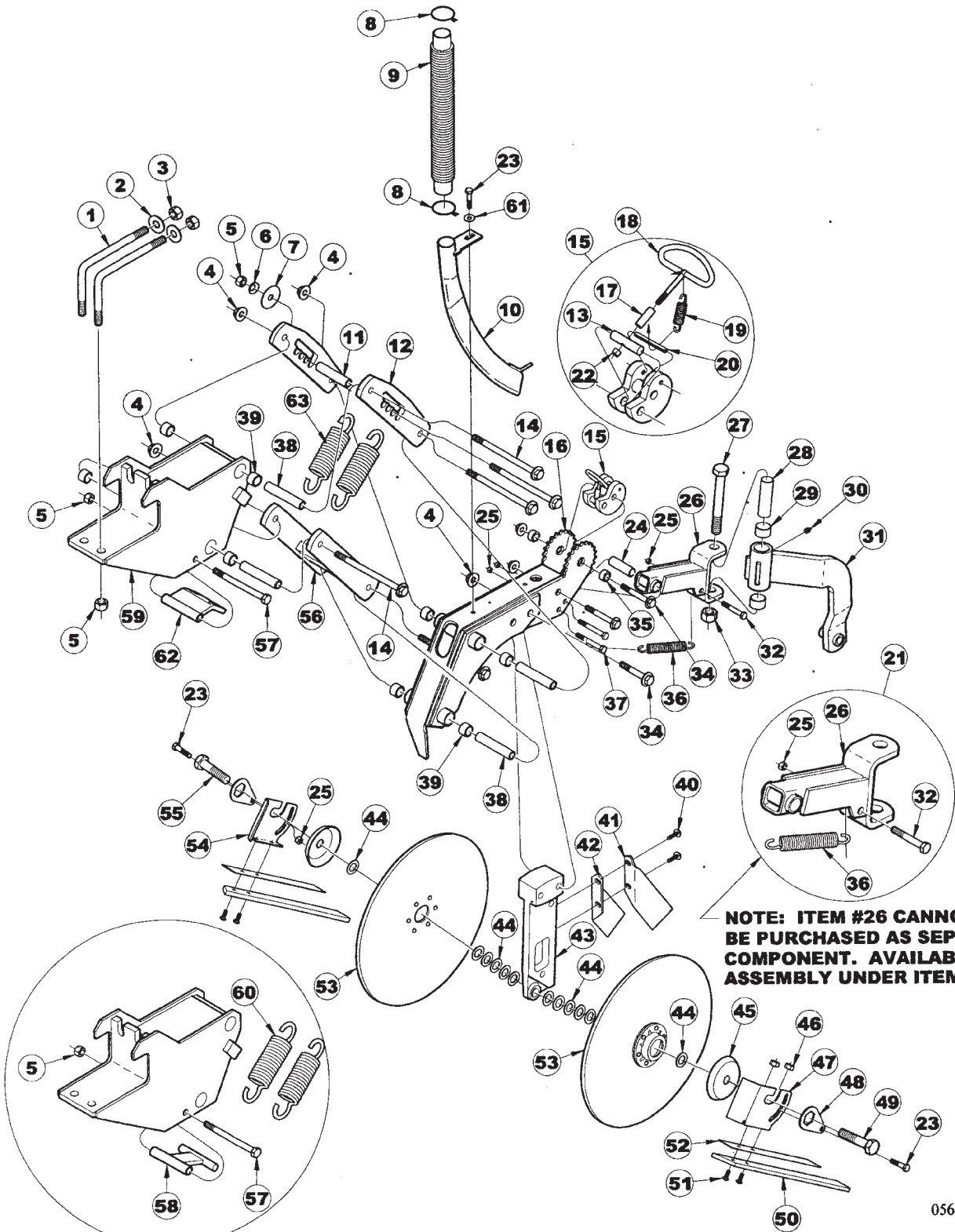
**ALL PURPOSE PRESS WHEEL ASSEMBLY
(YEAR 2000 & EARLIER DRILLS)**

ITEM	NUMBER	QTY	DESCRIPTION
1	SN9683		1/2-13 FLANGE TOPLOCK NUT GR G CAD/WAX
2	SN7375		PRESS WHEEL ASSEMBLY, 3" X 13", DOUBLE RIB STEEL RIM
3	SN3567		LOCK NUT, 3/8"-16 HEX NYLON INSERT, GR 2, Y/D
4	SN7384		BUSHING, DEPTH CONTROL, 1/2"
5	SN7042		CLAMP BUSHING, .750" OD X .532" ID, 109 W, 2 5/64" L
6	SN7041		PRESS WHEEL FRAME, SWIVEL
7	SN1021		HEX BOLT, 3/4"-10 X 5 1/2", GR 5, Y/D
8	SN7043		CLAMP BUSHING, 1" O.D. X .760" I.D., 3 5/8" L.
9	SN5934		BUSHING, 1 1/4" OD X 1" ID, 5/8" L (HARD) SPRING
10	SN9101		PRESS WHEEL FRAME, REAR, ALL PURPOSE
11	SN2557		HEX BOLT, 5/8"-11 X 4 1/2", GR 5, Y/D
12	SN2487		HEX BOLT, 3/8"-16 X 2 1/2", GR 5, Y/D
13	SNHEN3410		K NUT, 3/4" HEX NYLON INSERT, GR 5, Y/D
14	SN9708		SPRING, .162" WIRE DIA X 5" L EXTENSION
15	SN9682		HHFS 1/2"-13 X 3 3/4" GR5 Y/D
16	SN2098-1		GREASE ZERK, 1/8" NPTF, 5/8" L.
17	SN3806		HEX BOLT, 3/8"-16 X 3", GR 5, Y/D
18	SN7040		DEPTH LOCK
19	SN7085		DEPTH LOCK SPACER
20	SN7083		EXTENSION SPRING, .5" O.D. X .375" I.D., 1 1/2" L.
21	SN10333		PRESS WHEEL FRAME SWIVEL, W/SPRING, ALL PURPOSE
22	SN6440		ROLL PIN, 1/4" X 1 3/4" MEDIUM DUTY, Y/D
23	SN7084		DEPTH LOCK PIN, Y/D
24	SN3881		LOCK NUT, 1/4"-20 HEX NYLON INSERT, GR 2, Y/D
25	SN6867		2" X 13" SMOOTH CROWN STEEL RIM PRESS WHEEL ASSY.
26	SN6868		2" X 13" V-CROWN STEEL RIM PRESS WHEEL ASSY.
27	SN6866		3" X 13" CENTER RIB STEEL RIM PRESS WHEEL ASSY.
28	SN6869		4" X 12" DOUBLE RIB NYLON RIM PRESS WHEEL ASSY.
29	SN669-1		LOCK NUT, 5/8" HEX NYLON INSERT, GR 5 Y/D
30	SN7218		BEARING, 40 MM
31	SN9102		DEPTH CAM ASSEMBLY, ALL PURPOSE (ITEMS 18, 19, 20, 22, 23 & 24)
	SN9105		ALL PURPOSE OPENER ASSEMBLY, SHORT RIGID, LESS PRESS WHEEL
	SN9106		ALL PURPOSE OPENER ASSEMBLY, LONG RIGID, LESS PRESS WHEEL

I0001394
PR: t05g30m02c0015

9412 THREE-POINTED MOUNTED DRILL
SERVICE PARTS

ALL PURPOSE HEADS UP OPENER ASSEMBLY
(YEAR 2001 & LATER DRILLS)



NOTE: ITEM #26 CANNOT BE PURCHASED AS SEPARATE COMPONENT. AVAILABLE AS ASSEMBLY UNDER ITEM #21.

SERIAL # 09412L20020060 & EARLIER

**9412 THREE-POINTED MOUNTED DRILL
SERVICE PARTS**

41

**ALL PURPOSE HEADS UP OPENER ASSEMBLY
(YEAR 2001 & LATER DRILLS)**

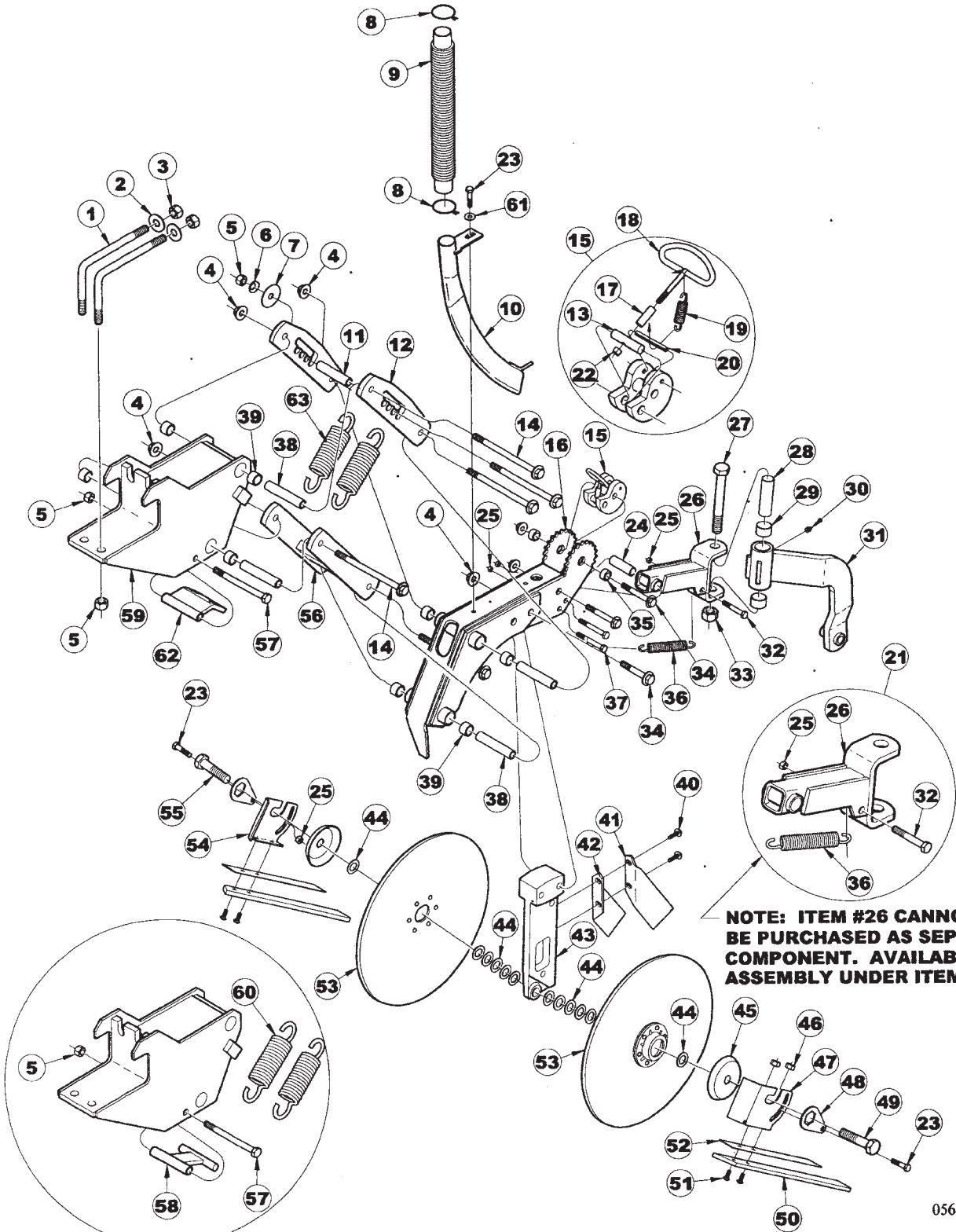
ITEM	NUMBER	QTY	DESCRIPTION
1	SN7024		L-BOLT, 5/8"-11 X 4 5/8" X 6 5/8", Y/D
2	SNFK150283		FLAT WASHER, 5/8" SAE, Y/D
3	SN669-1		LOCK NUT, 5/8" HEX NYLON INSERT, GR 5, Y/D
4	SN9683		1/2"-13 FLANGE TOPLOCK NUT GR G CAD/WAX
5	SN2096		LOCK NUT, 1/2"-13 HEX NYLON INSERT
6	SN6618		WASHER, .531" ID X .813" OD, .129" CROWN HEIGHT, CURVED SPRING
7	SN6619		WASHER, .531" ID X 2.000" OD X .058" THICK, Y/D
8	SNDR12011		CLAMP, SEED TUBE
9	SNDR20004		SEED TUBE, RUBBER
10	SN9937		SEED TUBE, ALL PURPOSE HEADS UP
11	SN7033B		SPACER TUBE, 4 1/2" L, ALL PURPOSE
12	SN7032		PARALLEL LINKAGE, 11" TOP, ALL PURPOSE
13	SN7084		DEPTH LOCK PIN, Y/D
14	SN9680		HHFS 1/2"-13 X 6 1/2" GR5 Y/D
15	SN9102		DEPTH CAM ASSY, ALL PURPOSE
16	SN7034B		OPENER FRAME, ALL PURPOSE
17	SN7085		SPACER, DEPTH LOCK, Y/D
18	SN7040		DEPTH LOCK, ALL PURPOSE, Y/D
19	SN7083		SPRING, .500" OD X .375" ID, 1 1/2" L EXTENSION
20	SN6440		ROLL PIN, 1/4" X 1 3/4" MEDIUM DUTY, Y/D
21	SN10333		PRESS WHEEL FRAME SWIVEL, W/SPRING, ALL PURPOSE
22	SN3881		LOCK NUT, 1/4"-20 HEX NYLON INSERT, GR 2, Y/D
23	SN1193		HEX BOLT, 3/8"-16 X 3/4", GR 5, Y/D
24	SN7042		CLAMP BUSHING, .750" OD X .532" ID, .109 W, 2 5/64" L
25	SN3567		LOCK NUT, 3/8"-16 HEX NYLON INSERT, GR 2, Y/D
26	SN7041		PRESS WHEEL FRAME, SWIVEL, ALL PURPOSE
27	SN1021		HEX BOLT, 3/4"-10 X 5 1/2", GR 5, Y/D
28	SN7043B		CLAMP BUSHING, 1" OD X .760" ID, .120" W, 3 5/8" L
29	SN5934		BUSHING, 1 1/4" OD X 1" ID, 5/8" L (HARD) SPRING
30	SN2098-1		GREASE ZERK, 1/8" NPTF, 5/8" L
31	SN9101		PRESS WHEEL FRAME, REAR, ALL PURPOSE (SERIAL # 09412F20020030 & EARLIER)
	SN7044B		PRESS WHEEL FRAME, REAR, ALL PURPOSE (SERIAL # 09412F20020031 & LATER)
32	SN2487		HEX BOLT, 3/8"-16 X 2 1/2", GR 5, Y/D
33	SNHEN3410		LOCK NUT, 3/4" HEX NYLON INSERT, GR 5, Y/D

CONTINUED

I0005654
PR: t05g30m02c0016

9412 THREE-POINTED MOUNTED DRILL
SERVICE PARTS

ALL PURPOSE HEADS UP OPENER ASSEMBLY
(YEAR 2001 & LATER DRILLS)



NOTE: ITEM #26 CANNOT BE PURCHASED AS SEPARATE COMPONENT. AVAILABLE AS ASSEMBLY UNDER ITEM #21.

SERIAL # 09412L20020060 & EARLIER

**9412 THREE-POINTED MOUNTED DRILL
SERVICE PARTS**

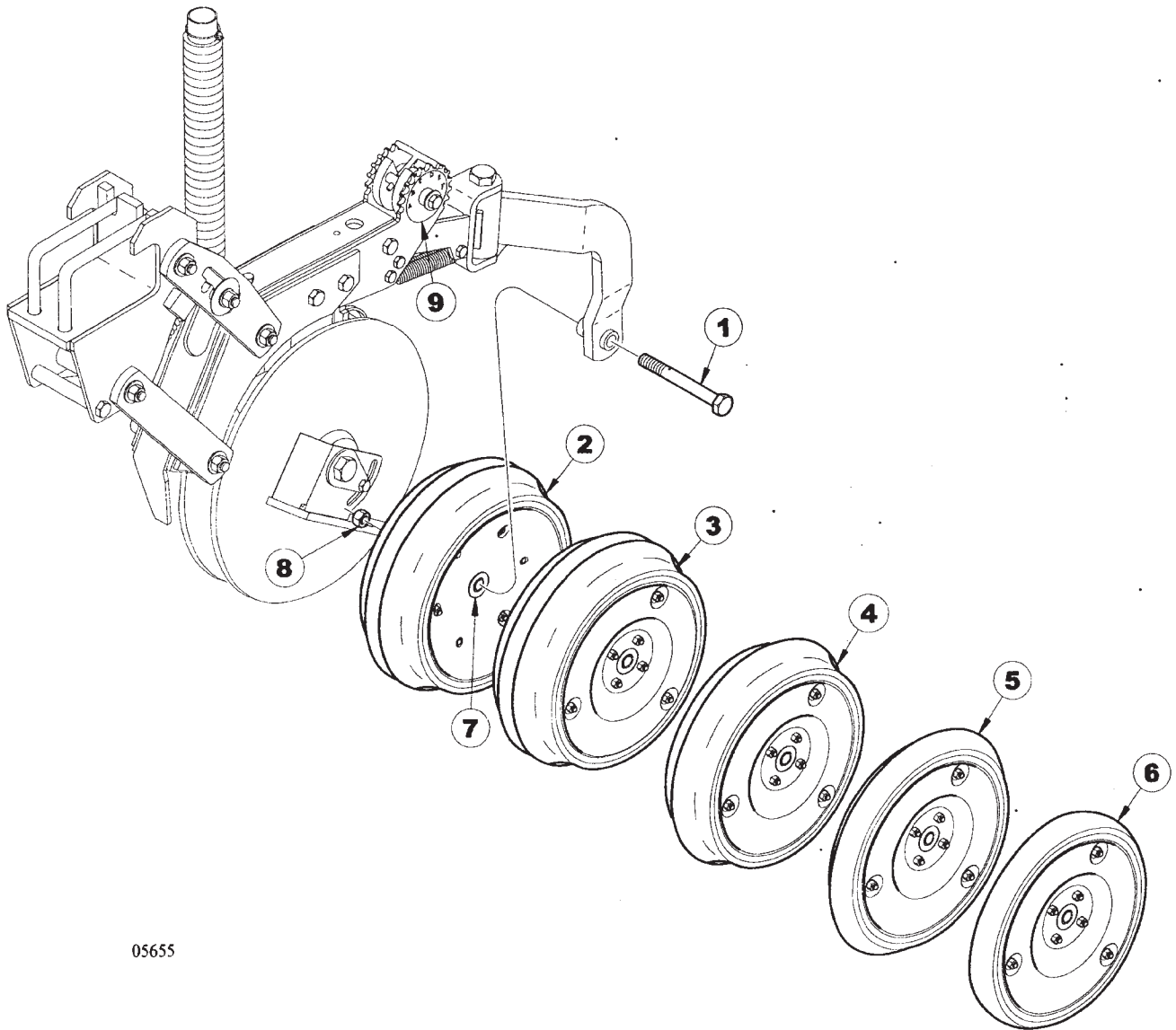
43

**ALL PURPOSE HEADS UP OPENER ASSEMBLY
(YEAR 2001 & LATER DRILLS)**

ITEM	NUMBER	QTY	DESCRIPTION
34	SN9682		HHFS 1/2"-13 X 3 3/4" GR5 Y/D
35	SN7384		BUSHING, DEPTH CONTROL, 1/2"
36	SN9708		SPRING, .162" WIRE DIA X 5" L EXTENS
37	SN3806		HEX BOLT, 3/8"-16 X 3", GR 5, Y/D
38	SN7029		CLAMP BUSHING, 4 21/32"
39	SN5935		BUSHING, 1" OD X 3/4" ID, 5/8" L (HARD) SPRING
40	SN10463		HEX FLANGE BOLT, 5/16"-18 X 3/4" GR5, Y/D
41	SN10127		SCRAPER, OPENER LEFT
42	SN10126		SCRAPER, OPENER RIGHT
43	SN9780		OPENER BAR, ALL PURPOSE HEADS UP
44	SNDR80011		WASHER, MACHINE
45	SNB1127		DUST CAP
46	SN6378		LOCK NUT, 5/16" HEX NYLON INSERT, GR 5 Y/D
47	SN7205		MOUNTING BRACKET, SOIL CONTROL DEVICE LEFT
48	SN7203		LOCKING ARM
49	SNDR81044		HEX BOLT, 3/4"-10 LH X 2", GR 5, Y/D
50	SN7201		SOIL CONTROL STRIP
51	SN6376		CARRIAGE BOLT, 5/16"-18 X1" GR 5, Y/D
52	SN7859		SUPPOT, SOIL CONTROL STRIP
53	SN9753N		OPENER BLADE & BRG ASSEMBLY, HEADS UP
54	SN7204		MOUNTING BRACKET, SOIL CONTROL DEVICE RIGHT
55	SN1220		HEX BOLT, 3/4"-10 X 2", GR 5 Y/D
56	SN10542		PARALLEL LINKAGE, 11" LOWER, ALL PURPOSE
57	SN840		HEX BOLT, 1/2"-13 X 5 1/2", GR 5, Y/D
58	SN7030		SPRING ANCHOR, ALL PURPOSE (SERIAL # 09412L20020060 & EARLIER)
59	SN7028		OPENER MOUNT, LONG, ALL PURPOSE
	SN7027		OPENER MOUNT, SHORT, ALL PURPOSE
60	SN7026		SPRING, 1.6875" OD X 1.1635" ID, 75/16" L, EXTENSION BLACK (SERIAL # 09412L20020060 & EARLIER)
61	SN317		FLAT WASHER, 3/8", Y/D
62	SN12348		SPRING ANCHOR, 56 DEG ALL PURPOSE, Y/D (SERIAL #09412L20020061 & LATER)
63	SN10479		SPRING, 2.125"OD X 1.513"ID, 8 3/8"L, EXTENSION BLACK (SERIAL #09412L20020061 & LATER)
	SN7266		SOIL CONTROL DEVICE ASSY (INCLUDES ITEMS 23, 25, 48, 49, 50, 52, 53, 54, 56)
	SN9879		ALL PURPOSE OPENER ASSEMBLY, HEADS UP, SHORT
	SN9880		ALL PURPOSE OPENER ASSEMBLY, HEADS UP, LONG

I0005654
PR: t05g30m02c0016

ALL PURPOSE HEADS UP OPENER PRESS WHEEL
ASSY (YEAR 2001 & LATER DRILLS)



05655

9412 THREE-POINTED MOUNTED DRILL

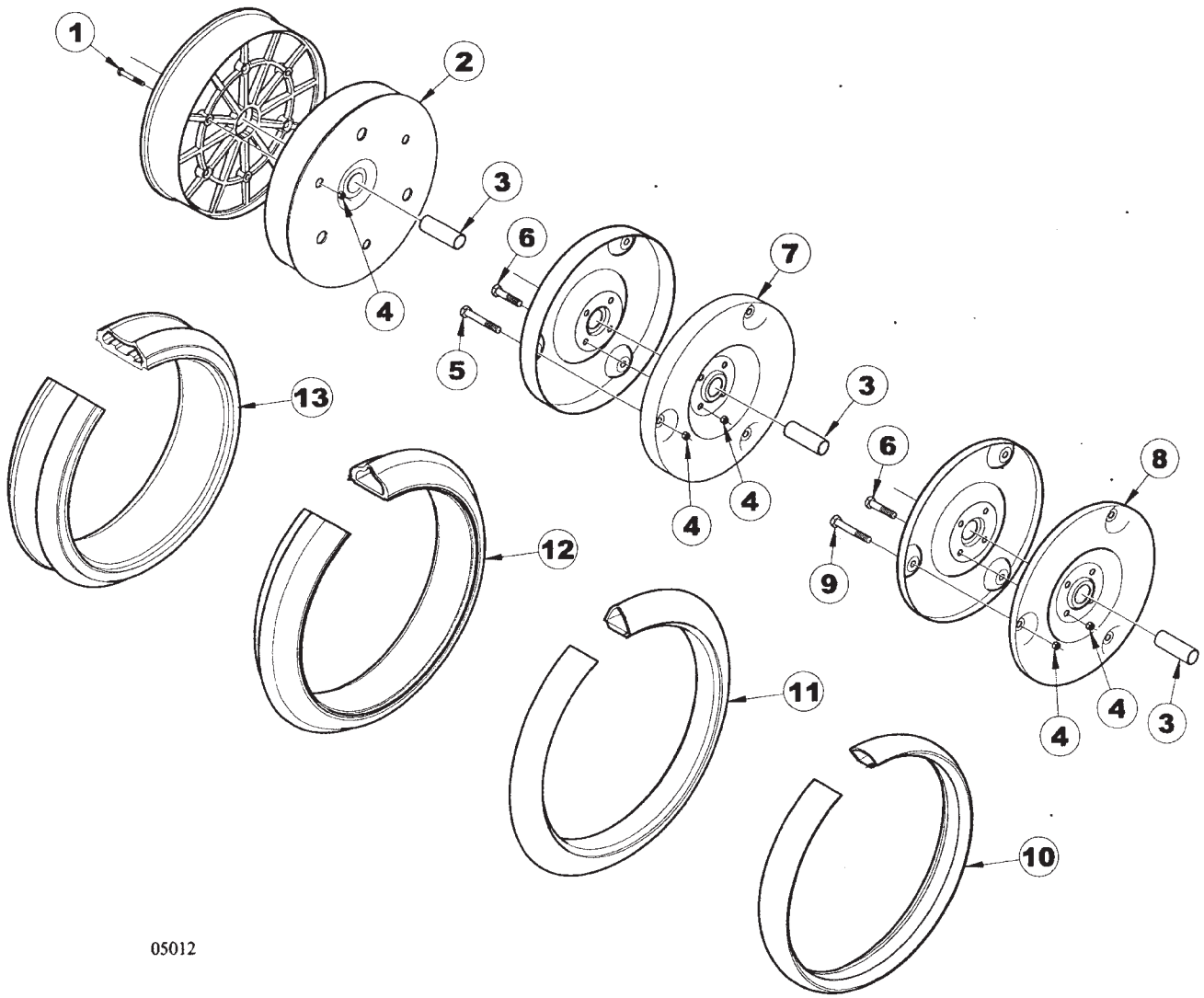
45

SERVICE PARTS**ALL PURPOSE HEADS UP OPENER PRESS WHEEL
ASSY (YEAR 2001 & LATER DRILLS)**

ITEM	NUMBER	QTY	DESCRIPTION
1	SN2557		HEX BOLT, 5/8"-11 X 4 1/2", GR 5, Y/D
2	SN6869		PRESS WHEEL ASSY, 4" X 12" DOUBLE RIB NYLON RIM
3	SN7375		PRESS WHEEL ASSY, 3" X 13" DOUBLE RIB STEEL RIM
4	SN6866		PRESS WHEEL ASSY, 3" X 13" CENTER RIB STEEL RIM
5	SN6868		PRESS WHEEL ASSY, 2" X 13" V-CROWN STEEL RIM
6	SN6867		PRESS WHEEL ASSY, 2" X 13" SMOOTH CROWN STEEL RIM
7	SN7218		BEARING, 40MM
8	SN669-1		LOCK NUT, 5/8" HEX NYLON INSERT, GR 5 Y/D
9	SN997407		DEPTH DECAL

I0005655
PR: t05g30m02c0017

PRESS WHEEL & TIRE ASSEMBLY



05012

9412 THREE-POINTED MOUNTED DRILL
SERVICE PARTS

47

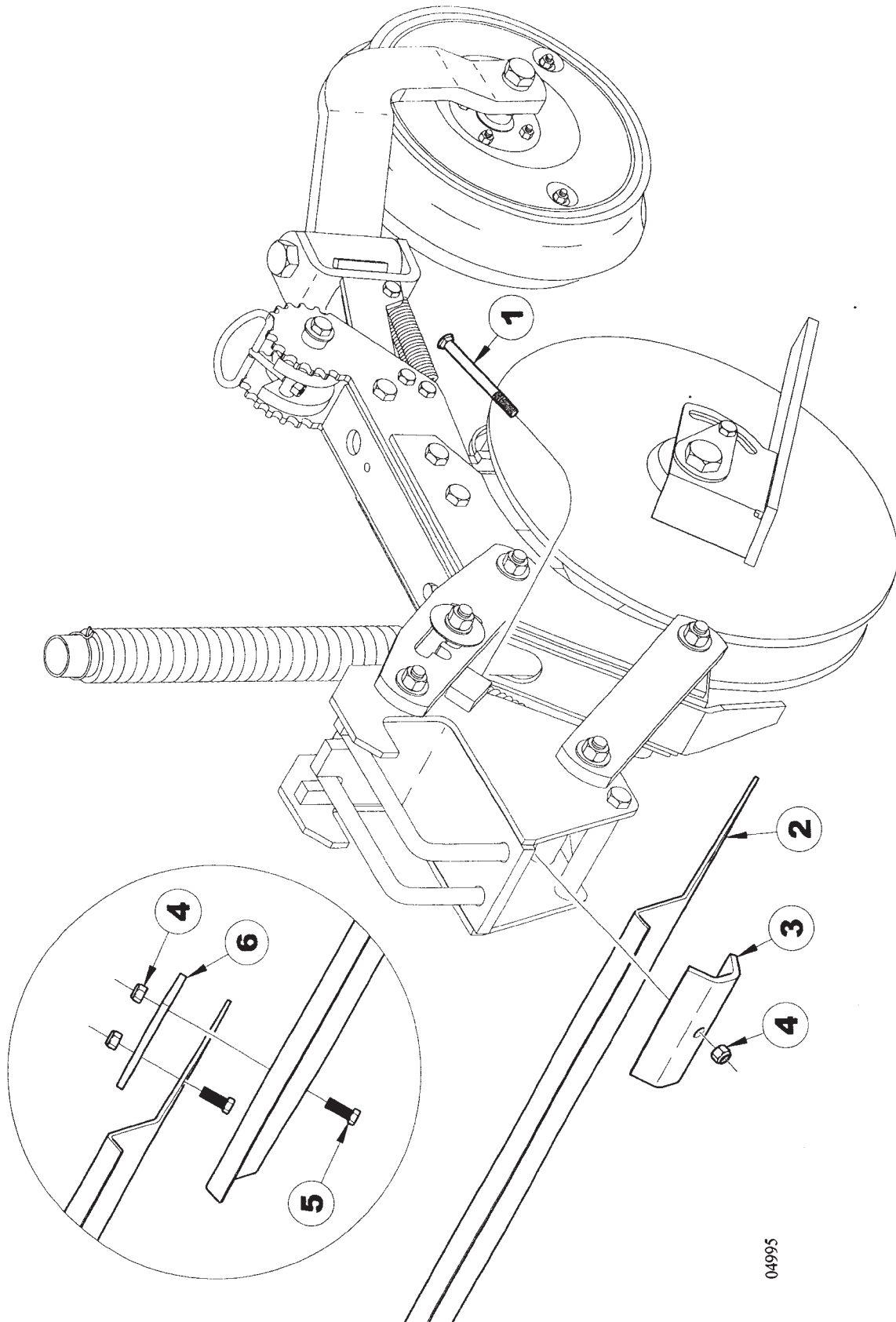
PRESS WHEEL & TIRE ASSEMBLY

ITEM	NUMBER	QTY	DESCRIPTION
1	SN7416		HEX BOLT, 1/4"-20 X 2", GR 5, Y/D
2	SN9109		RIM, 4" X 12" NYLON HALF F/40 MM BRG
3	SN7218		BEARING, 40MM
4	SN3881		LOCK NUT, 1/4"-20 HEX NYLON INSERT
5	SN2487		3/8"-16 X 2 1/2", GR 5
6	SN7415		HEX BOLT, 3/8"-16 X 1 3/8" GR 5, Y/D
7	SN7412		RIM, 3" X 13" 13 GA CLINCHER HALF
8	SN7413		RIM, 2" X 13" 13 GA CLINCHER HALF
9	SN175		HEX BOLT, 3/8"-16 X 1 1/2", GR 5
10	SN7411		TIRE, 2" X 13" SMOOTH CROWN CLINCH
11	SN7409		TIRE, 2" X 13" V-CROWN CLINCH
12	SN7410		TIRE, 3" X 13" CENTER RIB CLINCH
13	SN7407		TIRE, 3" X 13" DOUBLE RIB CLINCH
	SN7408		TIRE, 4" X 12" DOUBLE RIB

I0005012
PR: t05g30m02c0018

9412 THREE-POINTED MOUNTED DRILL
SERVICE PARTS

OPENER SHIELD ASSEMBLY



04995

**9412 THREE-POINTED MOUNTED DRILL
SERVICE PARTS**

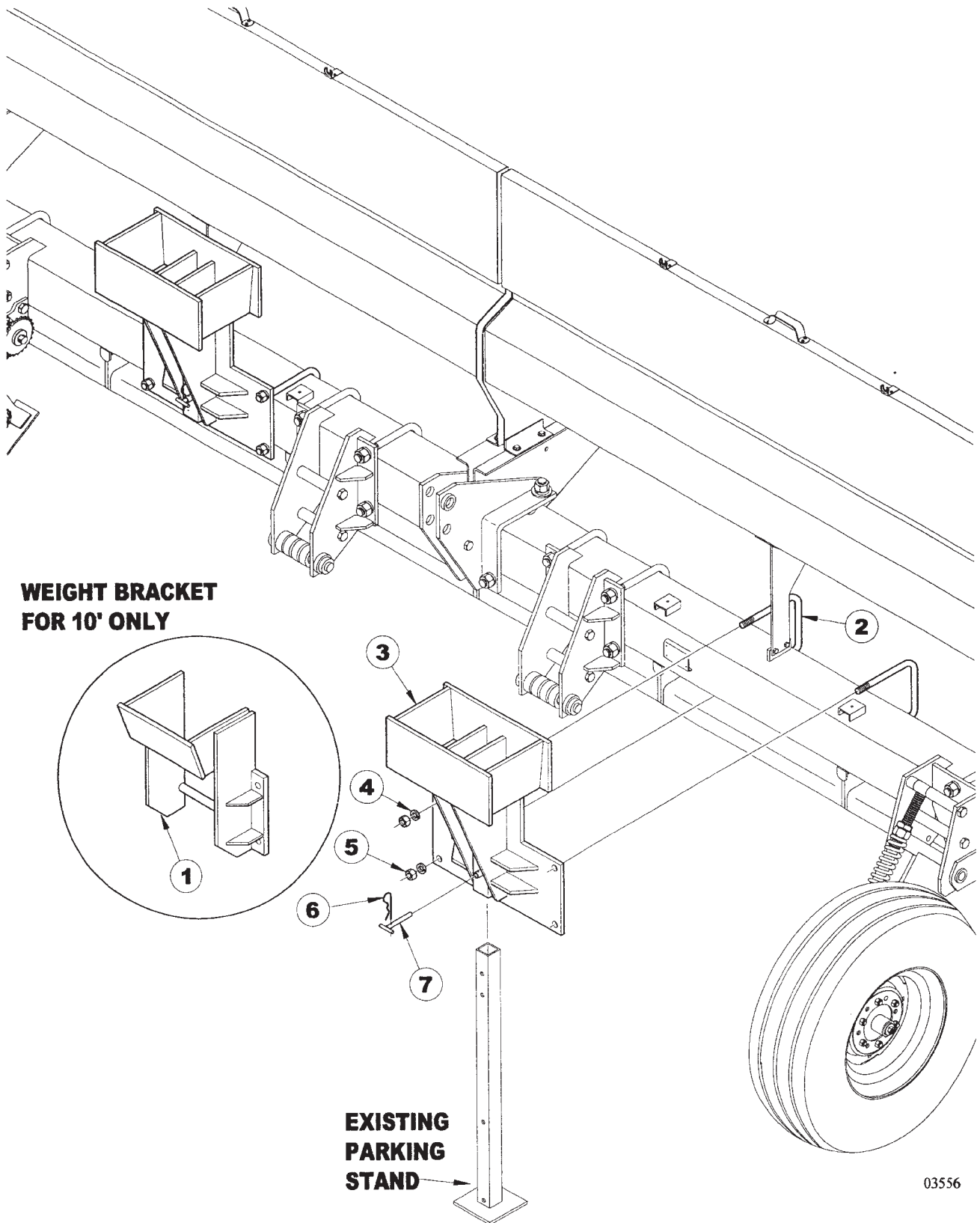
49

OPENER SHIELD ASSEMBLY

ITEM	NUMBER	QTY	DESCRIPTION
1	SN6682		CARRIAGE BOLT, 3/8"-16 X 4 1/4"
2	SN7224		OPENER SHIELD, 7.5' (15' DRILL)
	SN7223		OPENER SHIELD, 5' (20' DRILL)
3	SN7221		MOUNTING CLIP
4	SN3567		LOCK NUT, 3/8"-16 HEX NYLON INSERT
5	SN178		HEX BOLT, 3/8"-16 X 1", GR 5, Y/D
6	SN7222		TIE STRAP
	SN7226		OPENER SHIELD ASSY, 10' DRILL
	SN9961		OPENER SHIELD ASSY, 12' DRILL
	SN7227		OPENER SHIELD ASSY, 15' DRILL
	SN7228		OPENER SHIELD ASSY, 20' DRILL

I0004995
PR: t05g30m02c0019

WEIGHT BRACKET ASSEMBLY (OPTIONAL)



**9412 THREE-POINTED MOUNTED DRILL
SERVICE PARTS**

51

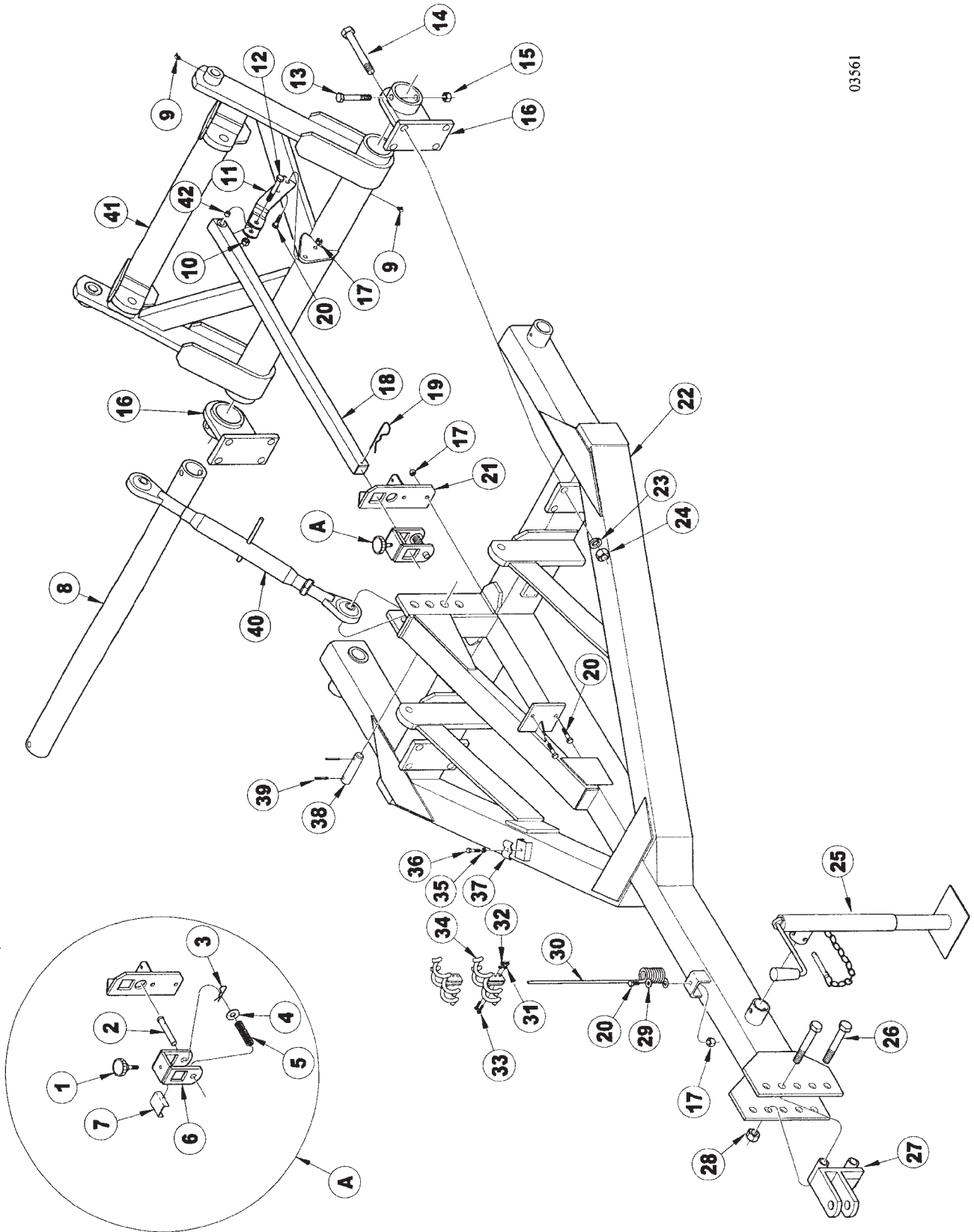
WEIGHT BRACKET ASSEMBLY (OPTIONAL)

ITEM	NUMBER	QTY	DESCRIPTION
1	SNBT10286		10' WEIGHT BRACKET
2	SNDR80019		3/4" X 8 3/4" X 7 13/16" W. U-BOLT
3	SN6830		12', 15' AND 20' WEIGHT BRACKET
4	SN1040		3/4" LOCK WASHER
5	SN106		3/4" HEX NUT
6	SN71L-2901		PIN CLIP, 3 1/8" L.
7	SN6831		1/2" X 4" PIN

I0003556
PR: t05g30m02c0020

9412 THREE-POINTED MOUNTED DRILL
SERVICE PARTS

10' TRANSPORT PULL HITCH ASSEMBLY
(VERSION 1 - PRIOR TO 09/2001)



03561

**9412 THREE-POINTED MOUNTED DRILL
SERVICE PARTS**

53

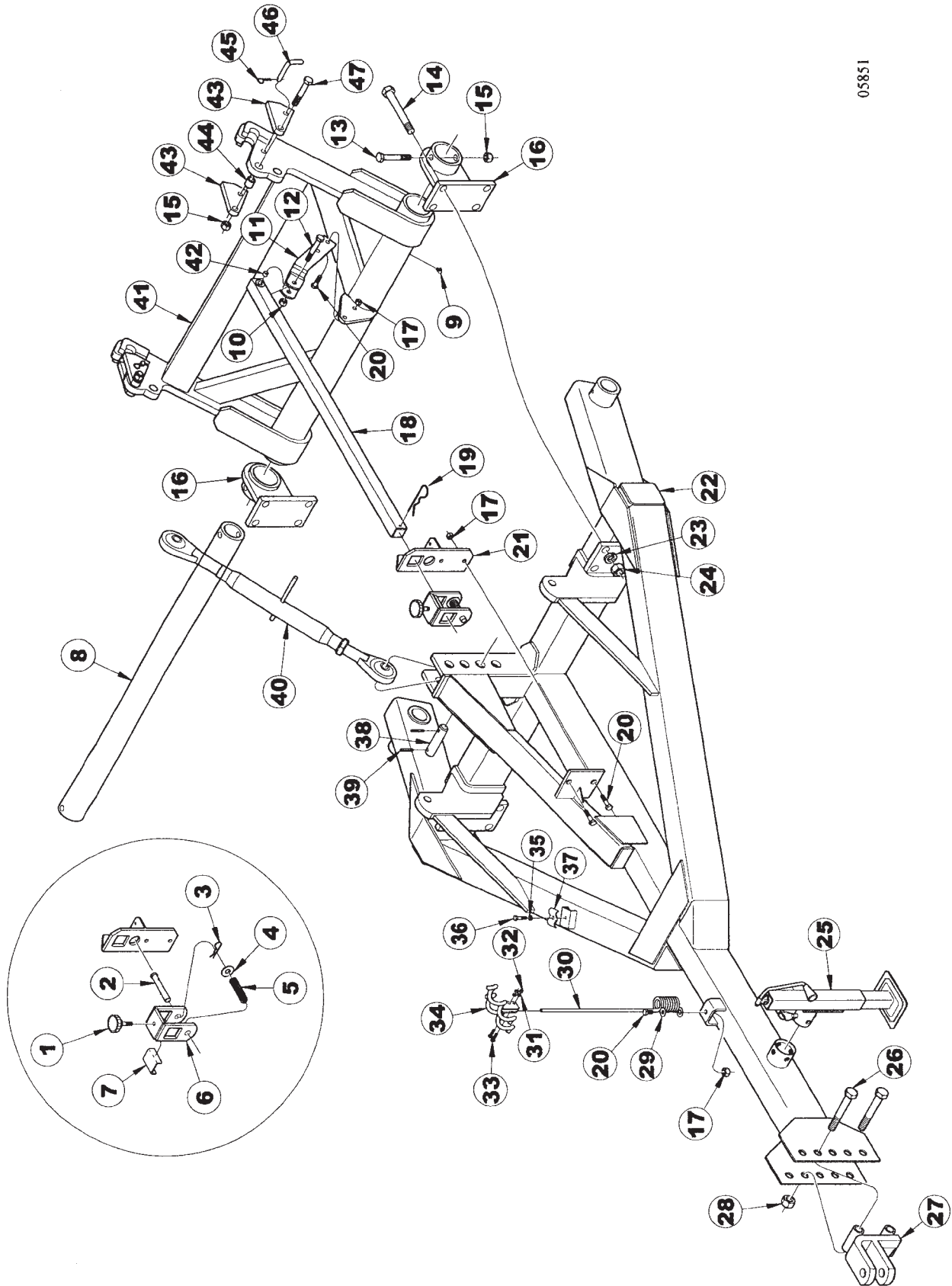
**10' TRANSPORT PULL HITCH ASSEMBLY
(VERSION 1 - PRIOR TO 09/2001)**

ITEM	NUMBER	QTY	DESCRIPTION
1	SN4945		ADJUSTING KNOB
2	SN4943		STROKE CONTROL SPRING PIN
3	SN1609		3/16" X 1 1/2" COTTER PIN
4	SN893		3/4" FLAT WASHER
5	SN4944		SPRING, 1.10" O.D., 3 1/2" LONG
6	SN4942		STROKE CONTROL ADJUSTABLE STOP
7	SN4946		STROKE CONTROL CLAMP PLATE
8	SN6628		PIVOT TUBE, 53 1/4"
9	SN2098-4		GREASE ZERK, 1/8" NPTF, 90 DEG.
10	SN669-1		5/8" LOCK NUT
11	SN6631		STROKE CONTROL ARM
12	SN1723		5/8" X 3 1/2" HEX BOLT
13	SN1021		3/4" X 5 1/2" HEX BOLT
14	SN109		1" X 7" HEX BOLT
15	SNHEN3410		3/4" LOCK NUT
16	SN6629		DRAWBAR MOUNT
17	SN2096		1/2" LOCK NUT
18	SN6630		STROKE CONTROL TUBE, 47" LONG
19	SN1189		1/4" X 2 1/2" COTTER PIN
20	SN2045		1/2" X 1 3/4" HEX BOLT
21	SN5012		STROKE CONTROL VALVE MOUNT
22	SN6626R		TRANSPORT PULL HITCH, 10'
23	SN1283		1" LOCK WASHER
24	SN110		1" HEX NUT
25	SN2517		SHORT TONGUE JACK, TUBE MOUNT
26	SN1282		1" X 6 1/2" HEX BOLT
27	SNQH10041		DOUBLE HITCH CLEVIS WITH 1 3/16" HOLE
28	SN3938		1" LOCK NUT
29	SN486		1/2" FLAT WASHER
30	SN4915		HOSE HOLDER ROD
31	SN3723		5/16" LOCK WASHER
32	SN3724		5/16" HEX NUT
33	SNCS516114		5/16" X 1 1/4" HEX BOLT
34	SN4914		HOSE HOLDER
35	SN176		3/8" LOCK WASHER
36	SN3984		3/8" X 1 1/4" HEX BOLT
37	SN5302		PIPE CLAMP, 3/8" BOLT HOLE
38	SN5342		1 1/4" X 4 13/16" PIN
39	SN3164		5/16" X 2" ROLL PIN
40	SN6625		TOP LINK, CATERGORY III (35" EXTENDED LENGTH)
41	SN4986		LOWER DRAWBAR
42	SN4948		BUSHING, 1" O.D. X .6875" I.D., 2 1/8" LONG

I0003561
PR: t05g30m02c0021

9412 THREE-POINTED MOUNTED DRILL
SERVICE PARTS

10' & 12' TRANSPORT PULL HITCH ASSEMBLY
(VERSION 2 - 09/2001 & LATER)



05851

**9412 THREE-POINTED MOUNTED DRILL
SERVICE PARTS**

55

**10' & 12' TRANSPORT PULL HITCH ASSEMBLY
(VERSION 2 - 09/2001 & LATER)**

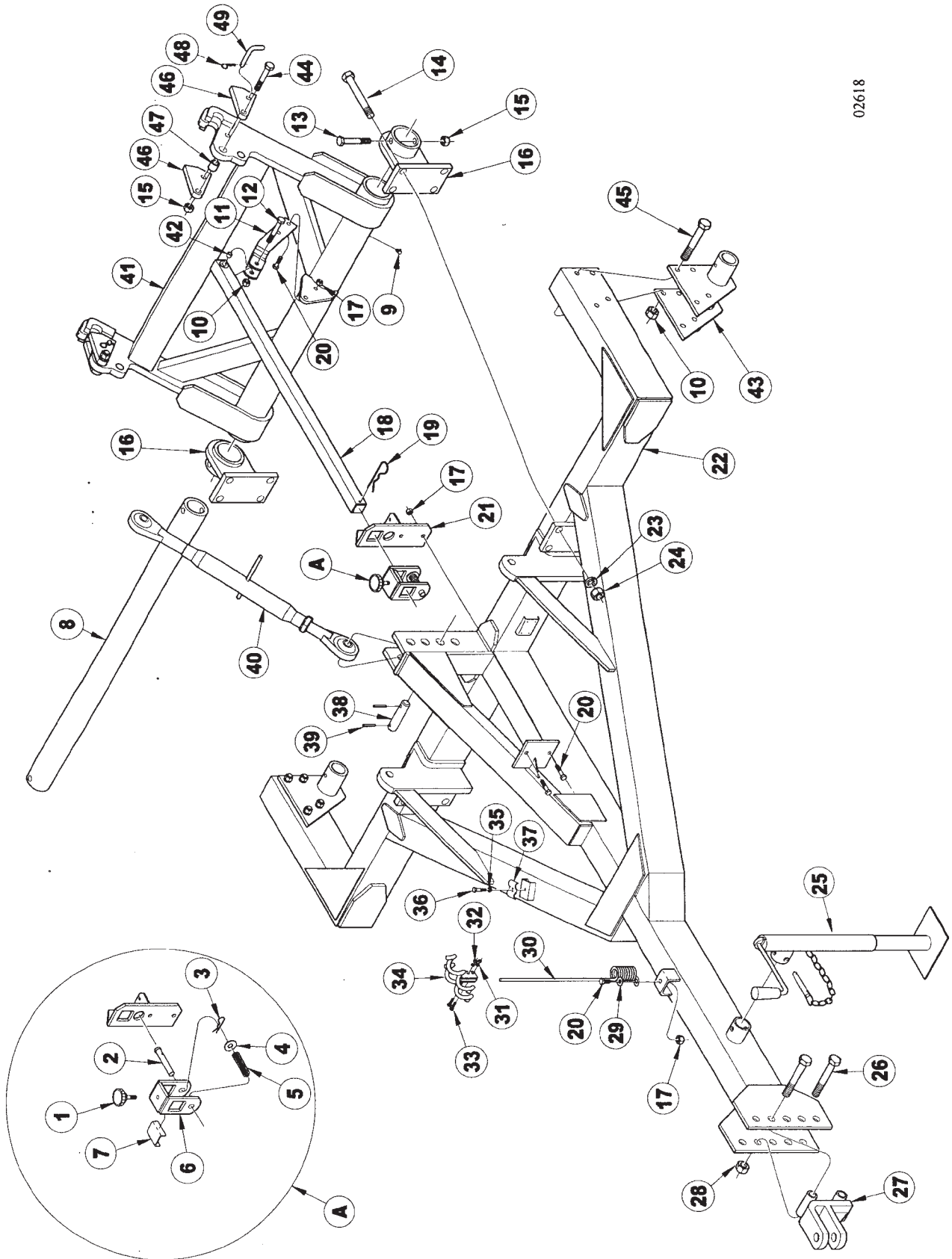
ITEM	NUMBER	QTY	DESCRIPTION
1	SN4945		ADJUSTING KNOB
2	SN4943		STROKE CONTROL SPRING PIN
3	SN1609		3/16" X 1 1/2" COTTER PIN
4	SN893		3/4" FLAT WASHER
5	SN4944		SPRING, 1.10" O.D., 3 1/2" LONG
6	SN4942		STROKE CONTROL ADJUSTABLE STOP
7	SN4946		STROKE CONTROL CLAMP PLATE
8	SN6628		PIVOT TUBE, 53 1/4"
9	SN2098-4		GREASE ZERK, 1/8" NPTF, 90 DEG.
10	SN669-1		5/8" LOCK NUT
11	SN6631		STROKE CONTROL ARM
12	SN1723		5/8" X 3 1/2" HEX BOLT
13	SN1021		3/4" X 5 1/2" HEX BOLT
14	SN109		1" X 7" HEX BOLT
15	SNHEN3410		3/4" LOCK NUT
16	SN6629		DRAWBAR MOUNT
17	SN2096		1/2" LOCK NUT
18	SN6630		STROKE CONTROL TUBE, 47" LONG
19	SN1189		1/4" X 2 1/2" COTTER PIN
20	SN2045		1/2" X 1 3/4" HEX BOLT
21	SN5012		STROKE CONTROL VALVE MOUNT
22	SN10023R		HITCH, TRANSPORT PULL 10' & 12'
23	SN1283		1" LOCK WASHER
24	SN110		1" HEX NUT
25	SN2517		SHORT TONGUE JACK, TUBE MOUNT
26	SN1282		1" X 6 1/2" HEX BOLT
27	SN7386		HITCH CLEVIS, DOUBLE W/1 3/16" HOLE
28	SN3938		1" LOCK NUT
29	SN486		1/2" FLAT WASHER
30	SN4915		HOSE HOLDER ROD
31	SN3723		5/16" LOCK WASHER
32	SN3724		5/16" HEX NUT
33	SNCS516114		5/16" X 1 1/4" HEX BOLT
34	SN4914		HOSE HOLDER
35	SN176		3/8" LOCK WASHER
36	SN3984		3/8" X 1 1/4" HEX BOLT
37	SN5302		PIPE CLAMP, 3/8" BOLT HOLE
38	SN5342		1 1/4" X 4 13/16" PIN
39	SN3164		5/16" X 2" ROLL PIN
40	SN6625		TOP LINK, CATERGORY III (35" EXTENDED LENGTH)
41	SN7390		LOWER DRAWBAR
42	SN4948		BUSHING, 1" O.D. X .6875" I.D., 2 1/8" LONG
43	SN7387		HITCH PIN LOCK
44	SN7388		CLAMP BUSHING, 1.125" OD X .782" ID, 1 3/32"L
45	SN2867		PIN CLIP, 1/2"- 5/8" SHAFT, .120" DIA, 2" L
46	SN7389		LOCK PIN, Y/D
47	SN1599		HEX BOLT, 3/4" - 10 X 4", GR 5, Y/D

I0005851
PR: t05g30m02c0022

9412 THREE-POINTED MOUNTED DRILL
SERVICE PARTS

15' & 20' TRANSPORT PULL HITCH ASSEMBLY
(OPTIONAL)

02618



**9412 THREE-POINTED MOUNTED DRILL
SERVICE PARTS**

57

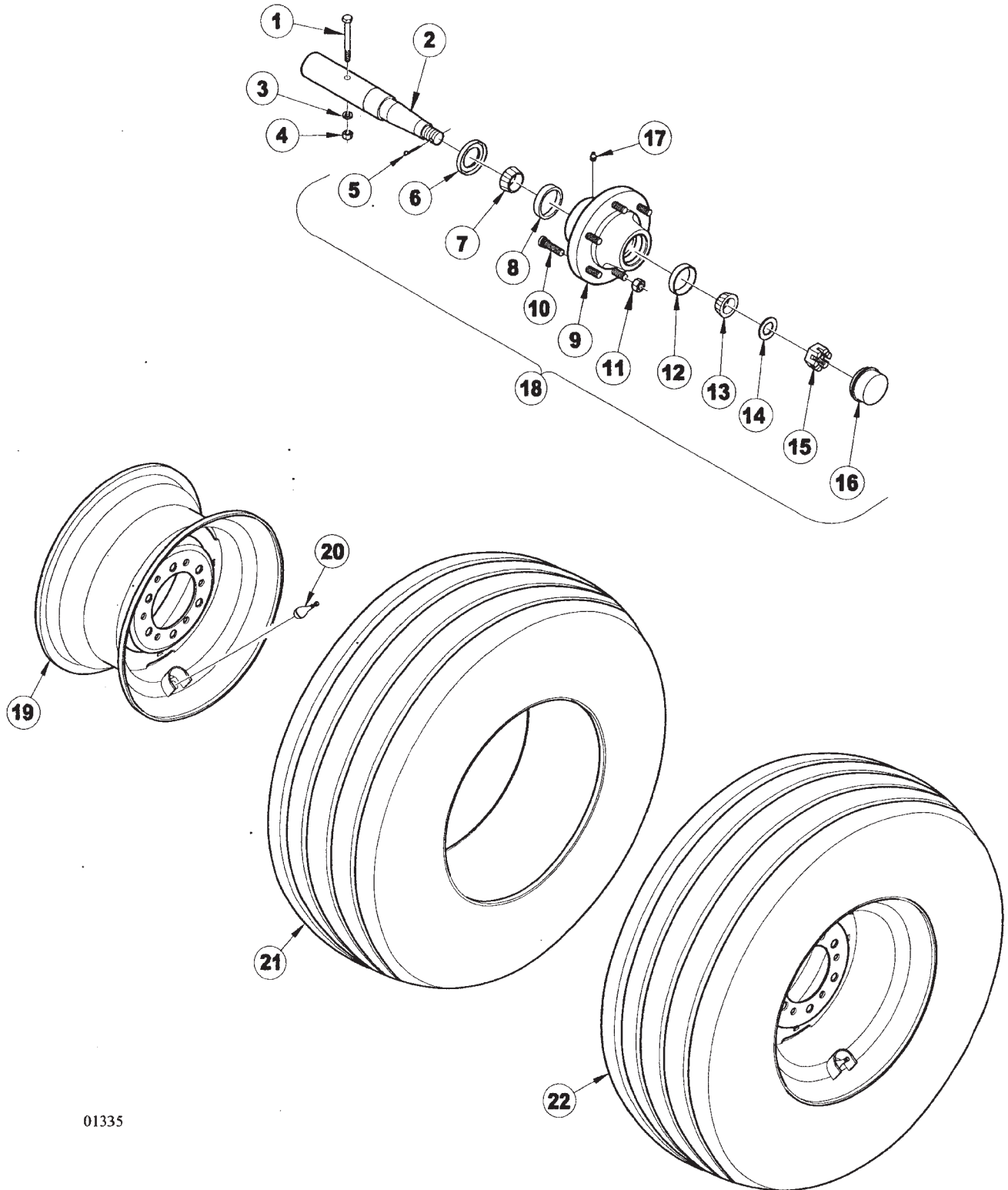
**15' & 20' TRANSPORT PULL HITCH ASSEMBLY
(OPTIONAL)**

ITEM	NUMBER	QTY	DESCRIPTION
1	SN4945		ADJUSTING KNOB
2	SN4943		STROKE CONTROL SPRING PIN
3	SN1609		3/16" X 1 1/2" COTTER PIN
4	SN893		3/4" FLAT WASHER
5	SN4944		SPRING, 1.10" O.D., 3 1/2" LONG
6	SN4942		STROKE CONTROL ADJUSTABLE STOP
7	SN4946		STROKE CONTROL CLAMP PLATE
8	SN6628		PIVOT TUBE, 53 1/4"
9	SN2098-4		GREASE ZERK, 1/8" NPTF, 90 DEG.
10	SN669-1		5/8" LOCK NUT
11	SN6631		STROKE CONTROL ARM
12	SN1723		5/8" X 3 1/2" HEX BOLT
13	SN1021		3/4" X 5 1/2" HEX BOLT
14	SN109		1" X 7" HEX BOLT
15	SNHEN3410		3/4" LOCK NUT
16	SN6629		DRAWBAR MOUNT
17	SN2096		1/2" LOCK NUT
18	SN6630		STROKE CONTROL TUBE, 47" LONG
19	SN1189		1/4" X 2 1/2" COTTER PIN
20	SN2045		1/2" X 1 3/4" HEX BOLT
21	SN5012		STROKE CONTROL VALVE MOUNT
22	SN7395		TRANSPORT PULL HITCH, 15' & 20'
23	SN1283		1" LOCK WASHER
24	SN110		1" HEX NUT
25	SN2517		SHORT TONGUE JACK, TUBE MOUNT
26	SN1282		1" X 6 1/2" HEX BOLT
27	SN7386		DOUBLE HITCH CLEVIS WITH 1 3/16" HOLE
28	SN3938		1" LOCK NUT
29	SN486		1/2" FLAT WASHER
30	SN4915		HOSE HOLDER ROD
31	SN3723		5/16" LOCK WASHER
32	SN3724		5/16" HEX NUT
33	SNCS516114		5/16" X 1 1/4" HEX BOLT
34	SN4914		HOSE HOLDER
35	SN176		3/8" LOCK WASHER
36	SN3984		3/8" X 1 1/4" HEX BOLT
37	SN5302		PIPE CLAMP, 3/8" BOLT HOLE
38	SN5342		1 1/4" X 4 13/16" PIN
39	SN3164		5/16" X 2" ROLL PIN
40	SN6625		TOP LINK, CATEGORY III (35" EXTENDED LENGTH)
41	SN7390		LOWER DRAWBAR
42	SN4948		BUSHING, 1" O.D. X .6875" I.D., 2 1/8" LONG
43	SN7393		SPINDLE TUBE, 2"
44	SN1599		HEX BOLT, 3/4"-10 X 4", GR5, Y/D
45	SN1672		HEX BOLT, 5/8"-11 X 6", GR5, Y/D
46	SN7387		HITCH PIN LOCK
47	SN7388		CLAMP BUSHING, 1.125" O.D. X .782" I.D., 1 1/16" L
48	SN2867		PIN CLIP, 1/2"-5/8" SHAFT, .120" DIA, 2" L
49	SN7389		LOCK PIN, Y/D

I0002618
PR: t05g30m02c0023

9412 THREE-POINTED MOUNTED DRILL
SERVICE PARTS

SIX BOLT HUB ASSEMBLY
(10', 15', & 20' DRILLS)



**9412 THREE-POINTED MOUNTED DRILL
SERVICE PARTS**

59

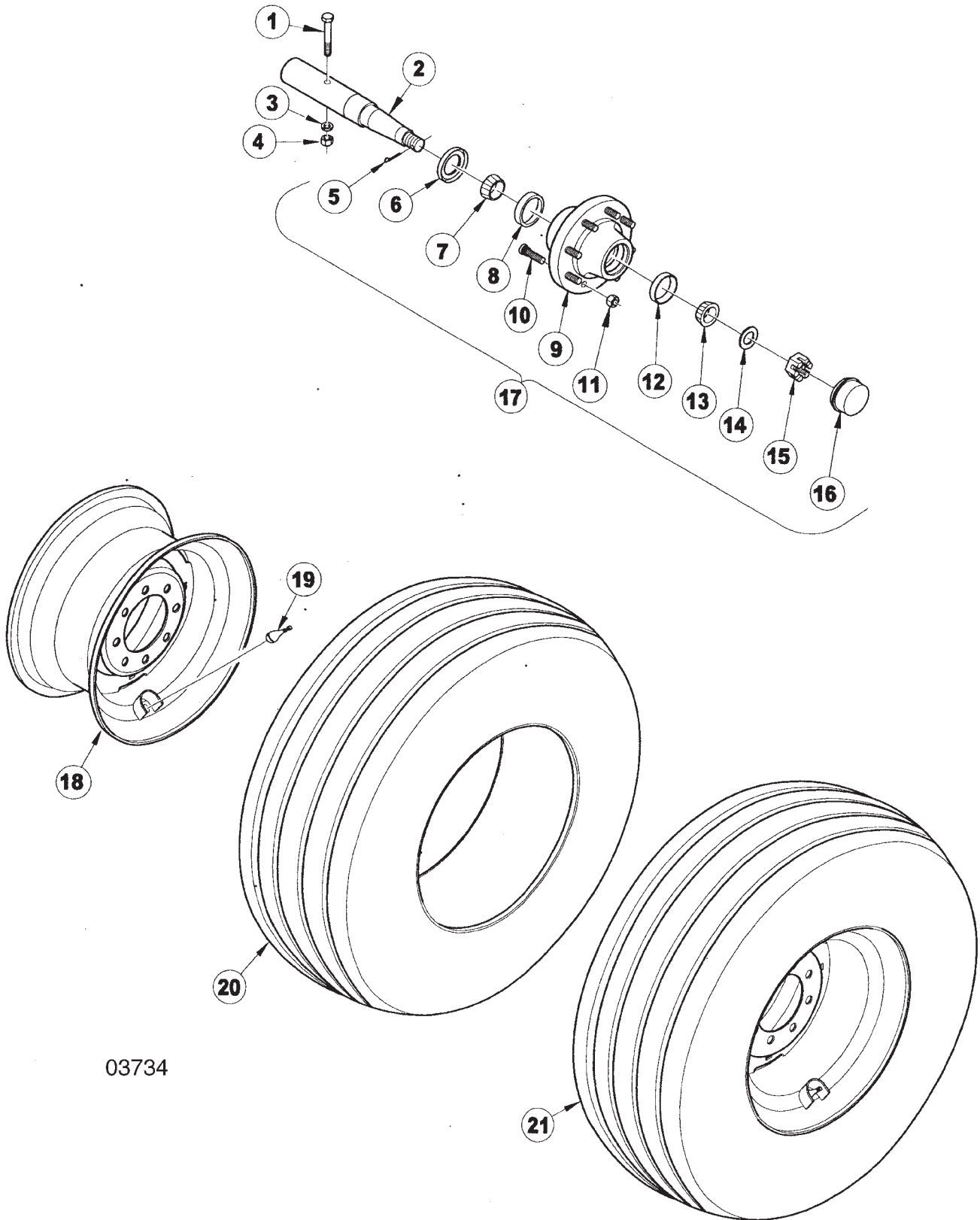
**SIX BOLT HUB ASSEMBLY
(10', 15', & 20' DRILLS)**

ITEM	NUMBER	QTY	DESCRIPTION
1	SN2585		7/16" X 3 1/2" HEX BOLT
2	SN3298		2" X 11" SPINDLE(15', 20') & (10' DRILLS PRIOR TO YEAR 2002)
	SN10336		SPINDLE, 2 1/4" X 11 3/16" L(10' DRILLS YEAR 2002 & LATER)
3	SN302		7/16" LOCK WASHER
4	SN303		7/16" HEX NUT
5	SN3066		7/32" X 1 1/2" COTTER PIN
6	SN3301		TRIPLE LIP SEAL
7	SN1935		INNER BEARING (LM501349)
8	SN1936		INNER RACE (LM501310)
9	SN1937		SIX BOLT HUB
10	SN3118		9/16" X 1 7/8" PRESS IN LUG BOLT
11	SN3117		9/16" LUG NUT
12	SN1605		OUTER RACE (LM67010)
13	SN1606		OUTER BEARING (LM67048)
14	SN3303		1 1/32" I.D. X 1 3/4" O.D. WASHER
15	SN3302		1" SLOTTED FULL NUT
16	SN1610		DUST CAP
17	SN2098-6		GREASE ZERK, 1/4"-28, 17/32" L
18	SN3300		SIX BOLT HUB ASSEMBLY WITH 3301 SEAL (ITEMS 3 THRU 13)
19	SN5094		WHEEL, 15 X 6, 6 BOLT, SINGLE WHEELS (10' DRILL)
	SN1944		WHEEL, 15 X 10, 6 BOLT, DUAL WHEELS (12', 15' & 20' DRILL)
20	SN3577		VALVE STEM
21	SN3579		TIRE, 9.5L X 15, 12 PLY TUBELESS, SINGLE WHEELS
	SN3581		TIRE, 11L X 15, 12 PLY TUBELESS, DUAL WHEELS
22	SN5152		TIRE, 9.5L, 12 PLY TUBELESS WITH 15 X 6 WHEEL ASSEMBLY, 6 BOLT, SINGLE WHEELS (10' DRILL)
	SN3587		TIRE, 11L 12 PLY TUBELESS WITH 15 X 10 WHEEL ASSEMBLY, 6 BOLT, DUAL WHEELS (12', 15' & 20' DRILL)

I0001335
PR: t05g30m02c0024

9412 THREE-POINTED MOUNTED DRILL
SERVICE PARTS

EIGHT BOLT HUB ASSEMBLY (12' DRILLS)



03734

**9412 THREE-POINTED MOUNTED DRILL
SERVICE PARTS**

61

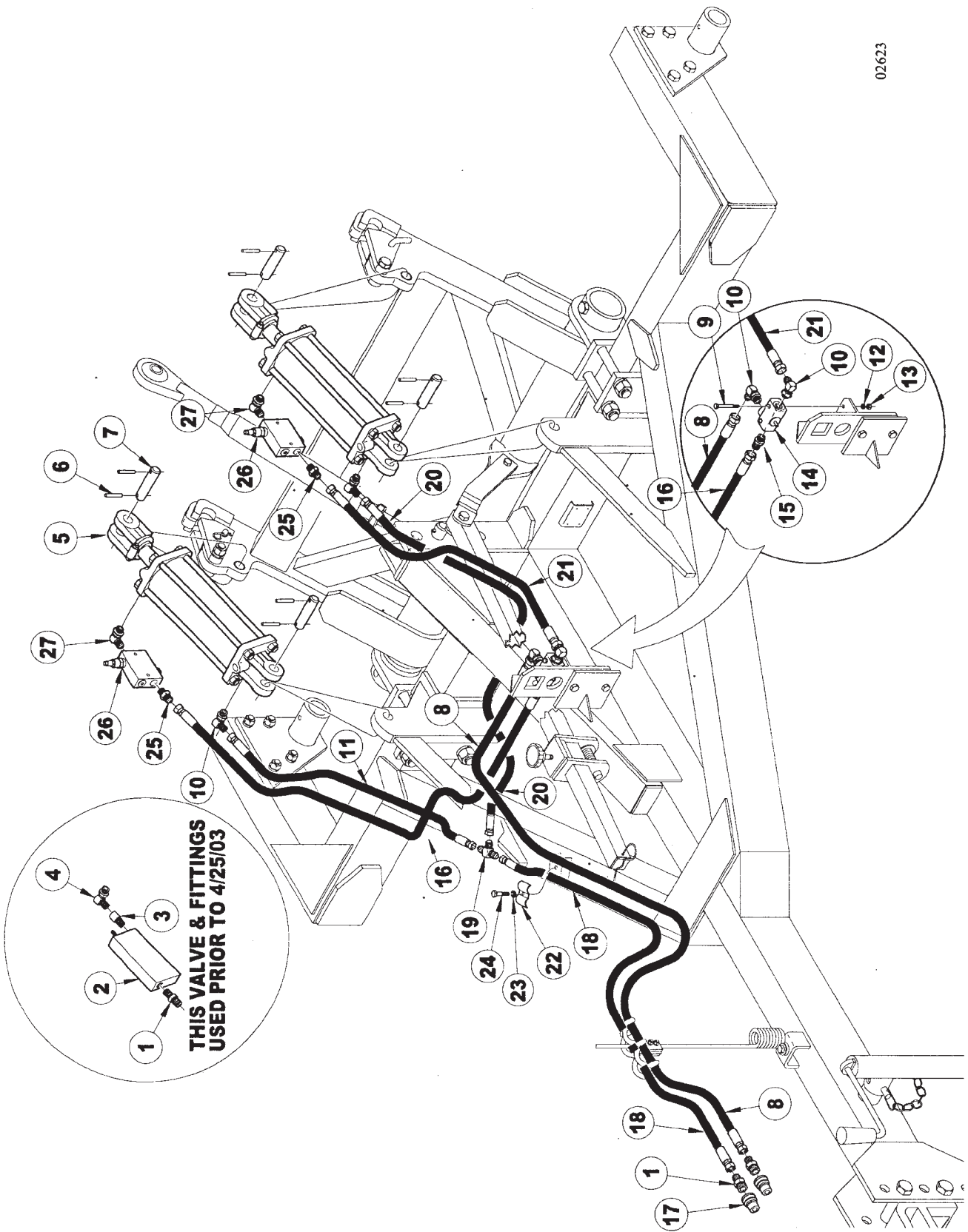
EIGHT BOLT HUB ASSEMBLY (12' DRILLS)

ITEM	NUMBER	QTY	DESCRIPTION
1	SN2585		HEX BOLT, 7/16"-14 X 3 1/2", GR 5, Y/D
2	SN3687		SPINDLE, 2 1/4" X 14"
3	SN302		LOCK WASHER, 7/16" SPLIT TYPE MED, Y/D
4	SN303		HEX NUT, 7/16"-14 FULL, GR 2, Y/D
5	SN3066		COTTER PIN, 7/32" X 1 1/2"
6	SN3301		TRIPLE LIP SEAL
7	SN3683		BEARING(LM603049)
8	SN3684		RACE (LM603011)
9	SN3685		EIGHT BOLT HUB, STUDDED W/CUPS ZERK AND LUG NUTS, PAINTED
10	SN3118		LUG BOLT, 9/16"-18 X 1 7/8" PRESS IN, PL
11	SN3117		LUG NUT, 9/16"-18, GR 5, 90 DEG TAPER, Y/D
12	SN1605		RACE (LM67010)
13	SN1606		BEARING (LM67048)
14	SN3303		WASHER, 1 1/32" ID X 1 3/4" ODX 1/8" THICK, PLAIN
15	SN3302		HEX NUT, 1"-14 FULL SLOTTED GR 2, PLAIN
16	SN1610		DUST CAP, 2.448" OD, Y/D
17	SN3686		8 BOLT HUB ASSEMBLY (ITEMS 5 THRU 16)
18	SN3688Y		WHEEL, 15 X 10, 8 BOLT
19	SN3577		VALVE STEM
20	SN5578		TIRE, 12.5L X 15, (GY-FI-F)

I0003734
PR: t05g30m02c0025

TRANSPORT PULL HITCH HYDRAULICS
(OLD 10' VERSION 1 & CURRENT 15' & 20')

02623



**9412 THREE-POINTED MOUNTED DRILL
SERVICE PARTS**

63

**TRANSPORT PULL HITCH HYDRAULICS
(OLD 10' VERSION 1 & CURRENT 15' & 20')**

ITEM	NUMBER	QTY	DESCRIPTION
1	SN2426		MALE CONNECTOR, 7/8"-14 M.F. X 1/2"-14 M.P.T.
2	SNFK330122		FCI VALVE (USED PRIOR TO 4/25/03)
3	SN4475		MALE PIPE TO FEMALE TUBE, 1/2"-14 M.P.T. X 3/4"-16 F.F.
4	SN4454		90 DEG. STRAIGHT THREAD ELBOW, 3/4"-16 M.F. X 3/4"-16 O.R.
5	SN6635		4" X 10" CYLINDER (22 1/4" CPC) ORB (*VERSION 1, PRIOR TO 10/22/03)
	SN12026		CYLINDER, 4" X 10" (22 1/4" CPC) ORBCROSS, 3000 PSI (*VERSION 2, 10/22/03 & LATER)
6	SN3164		5/16" X 2" ROLL PIN
7	SN5339		1" X 4 1/16" PIN
8	SN4150005		HOSE, 1/2" X 150" LONG, FEMALE ENDS
9	SN1817		5/16" X 2 1/2" HEX BOLT
10	SN4457		90 DEG. STRAIGHT THREAD ELBOW, 7/8"-14 M.F. X 3/4"-16 O.R.
11	SN4026005		HOSE, 1/2" X 26" LONG, FEMALE ENDS
12	SN3723		5/16" LOCK WASHER
13	SN3724		5/16" HEX NUT
14	SN4732		DEPTH CONTROL VALVE
15	SN4464		STRAIGHT THREAD CONNECTOR, 7/8"-14 M.F. X 3/4"-16 O.R.
16	SN4045005		HOSE, 1/2" X 45" LONG, FEMALE ENDS
17	SN3253		3/4" MALE COUPLER
18	SN4120005		HOSE, 1/2" X 120" LONG, FEMALE ENDS
19	SN4460		UNION TEE, 7/8"-14 M.F.
20	SN4047005		HOSE, 1/2" X 47" LONG, FEMALE ENDS
21	SN4030005		HOSE, 1/2" X 30" L, FEMALE ENDS
22	SN5302		PIPE CLAMP, 3/8" BOLT HOLE
23	SN176		LOCK WASHER, 3/8" SPLIT TYPE MED, Y/D
24	SN3984		HEX BOLT, 3/8" 16 X 1 1/4" GR5, Y/D
25	SN4464		STRAIGHT THD.CONNECTOR, 7/8"-14 MF X 3/4"-16 MOR
26	SN10836		VALVE, COUNTERBALANCE (4/25/03 & LATER)
27	SN7741		90 DEG STR THD ELBOW, 3/4"-16 MOR

NOTE: WHEN ORDERING HYDRAULIC CYLINDER COMPONENTS, NOTE THE PART NUMBER AND THE CYLINDER PSI. (LOCATED ON THE CYLINDER DECAL) AS THEY CONTAIN DIFFERENT COMPONENTS. OLDER CYLINDERS WERE 2500 PSI. AND THE NEW CYLINDERS ARE 3000 PSI. IDENTIFYING THE PART # OF THE CYLINDER IS EXTREMELY IMPORTANT WHEN ORDERING PARTS TO ENSURE PROPER OPERATION OF THE HYDRAULIC CYLINDER.

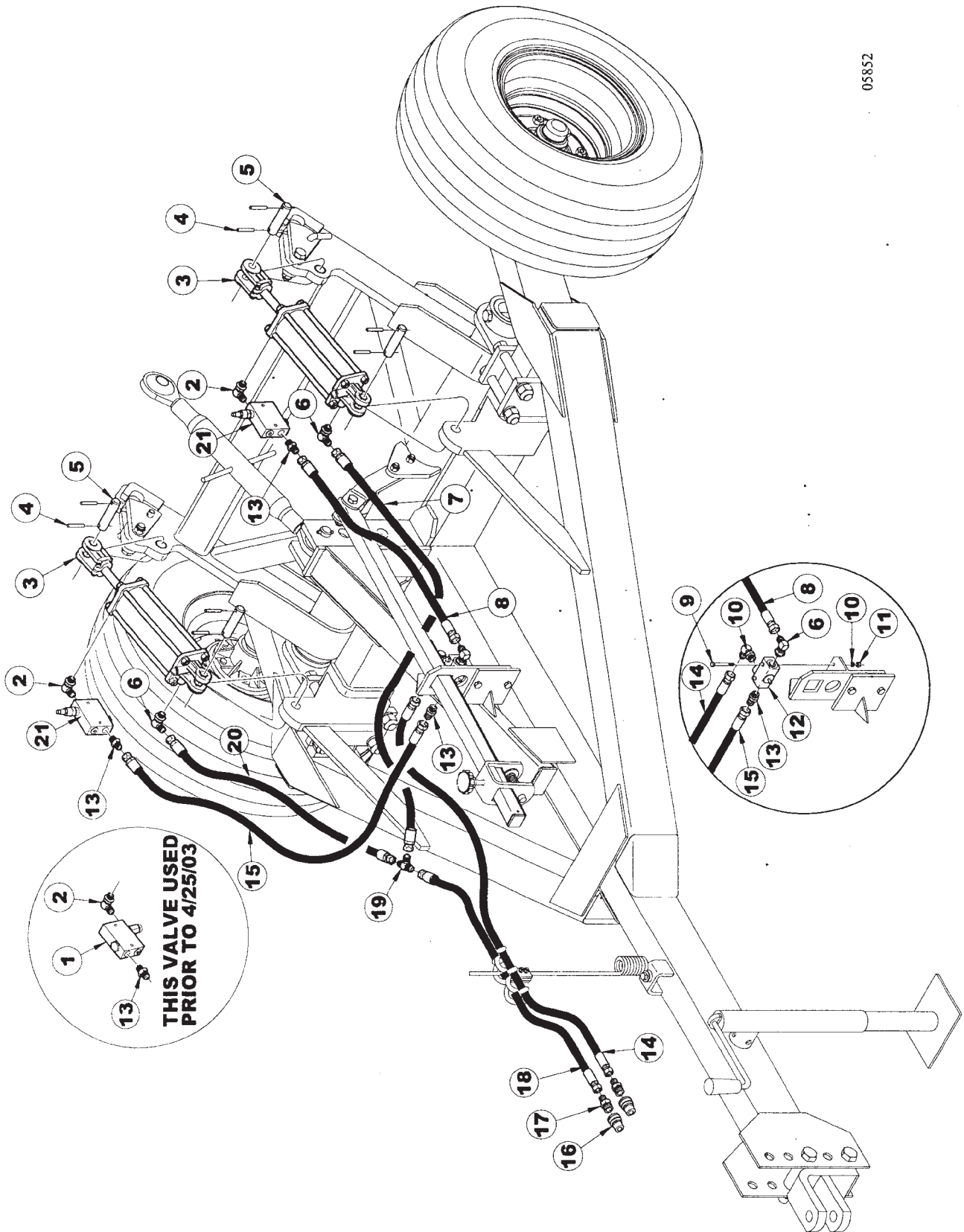
WARNING

THESE PARTS ARE IMPORTANT TO THE SAFETY OF THIS EQUIPMENT AND THOSE WHO OPERATE IT. USE ONLY EXACT REPLACEMENT PARTS TO PREVENT HYDRAULIC FAILURE. BEFORE REPLACING THESE PARTS, REVIEW AND FOLLOW THE INSTRUCTIONS IN THE SAFETY AND OPERATING SECTIONS OF THIS MANUAL.

I0002623
PR: t05g30m02c0026

TRANSPORT PULL HITCH HYDRAULICS
(10' & 12' VERSION 2 - 09/2001 & AFTER)

05852



**9412 THREE-POINTED MOUNTED DRILL
SERVICE PARTS**

65

**TRANSPORT PULL HITCH HYDRAULICS
(10' & 12' VERSION 2 - 09/2001 & AFTER)**

ITEM	NUMBER	QTY	DESCRIPTION
1	SN6934		VALVE, COUNTERBALANCE (USED PRIOR TO 4/25/03)
2	SN7741		90 DEG STR THD. ELBOW, 3/4"-16 MOR
3	SN6635		4" X 10" CYLINDER (22 1/4" CPC) ORB (*VERSION 1, PRIOR TO 10/22/03)
	SN12026		CYLINDER, 4" X 10" (22 1/4" CPC) ORB CROSS, 3000 PSI (*VERSION 2, 10/22/03 & LATER)
4	SN3164		5/16" X 2" ROLL PIN
5	SN5339		1" X 4 1/16" PIN
6	SN4457		90 DEG. STRAIGHT THREAD ELBOW, 7/8"-14 M.F. X 3/4"-16 O.R.
7	SN4047005		HOSE, 1/2" X 47" LONG, FEMALE ENDS
8	SN4030005		HOSE, 1/2" X 30" L, FEMALE ENDS
9	SN1817		5/16" X 2 1/2" HEX BOLT
10	SN3723		5/16" LOCK WASHER
11	SN3724		5/16" HEX NUT
12	SN4732		DEPTH CONTROL VALVE
13	SN4464		STRAIGHT THREAD CONNECTOR, 7/8"-14 M.F. X 3/4"-16 O.R.
14	SN4150005		HOSE, 1/2" X 150" LONG, FEMALE ENDS
15	SN4045005		HOSE, 1/2" X 45" LONG, FEMALE ENDS
16	SN3253		3/4" MALE COUPLER
17	SN2426		MALE CONNECTOR, 7/8"- 14 M.F. X 1/2"-14 M.P.T.
18	SN4120005		HOSE, 1/2" X 120" LONG, FEMALE ENDS
19	SN4460		UNION TEE, 7/8"-14 M.F.
20	SN4026005		HOSE, 1/2" X 26" LONG, FEMALE ENDS
21	SN10836		VALVE, COUNTERBALANCE (4/25/03 & LATER)

NOTE: WHEN ORDERING HYDRAULIC CYLINDER COMPONENTS, NOTE THE PART NUMBER AND THE CYLINDER PSI. (LOCATED ON THE CYLINDER DECAL) AS THEY CONTAIN DIFFERENT COMPONENTS. OLDER CYLINDERS WERE 2500 PSI. AND THE NEW CYLINDERS ARE 3000 PSI. IDENTIFYING THE PART # OF THE CYLINDER IS EXTREMELY IMPORTANT WHEN ORDERING PARTS TO ENSURE PROPER OPERATION OF THE HYDRAULIC CYLINDER.

WARNING
THESE PARTS ARE IMPORTANT TO THE SAFETY OF THIS EQUIPMENT AND THOSE WHO OPERATE IT. USE ONLY EXACT REPLACEMENT PARTS TO PREVENT HYDRAULIC FAILURE. BEFORE REPLACING THESE PARTS, REVIEW AND FOLLOW THE INSTRUCTIONS IN THE SAFETY AND OPERATING SECTIONS OF THIS MANUAL.

I0005852
PR: t05g30m02c0027

**9412 THREE-POINTED MOUNTED DRILL
SERVICE PARTS**

67

**4" X 10" LIFT CYLINDER 6635R
(VERSION 1, PRIOR TO 10/22/03)**

ITEM	NUMBER	QTY	DESCRIPTION
1	SN8617-1		CLEVIS, 1 1/2" THREADS, CROSS
2	SN8671-1		CAPSCREW NUT, 5/16" THREADS CROSS
3	SN8886-1		ROD, 1 1/2" DIA, 10" CROSS
4	SN8631-1		CAPSCREW, CROSS
5	SN8784-1		SEAL KIT, 4", 1 1/2" ROD, CROSS
6	SN8737-10		HEAD, 4", 1 1/2" ROD, CROSS (FOR USE W/U-CUP SEAL)
7	SN8864-1		TIE ROD NUT, 5/8" THREADS CROSS
8	SN8713-1		PISTON, 4" W/1" HOLE CROSS
9	SN8683-1		PISTON NUT, 1" CROSS
10	SN8832-1		TUBE, 4" X 10" CROSS
11	SN8849-1		TIE ROD BOLT, 4" X 10" CROSS
12	SN8703-10		BASE, 4" (ORB) CROSS
13			* WIPER
14			* U-CUP
15			* BACKUP
16			* O-RING
17			* O-RING
18	SN4458		PLUG, 3/4"-16 O.R.
19	SN997309		HYDRAULIC SYSTEM HAZARD - DECAL
	SN6635		CYLINDER, 4" X 10" (22 1/4" CPC) ORB CROSS (VERSION 1, PRIOR TO 10/22/03)

* AVAILABLE IN THE SEAL KIT ONLY!!
NOTE: WHEN ORDERING HYDRAULIC CYLINDER COMPONENTS, NOTE THE PART NUMBER AND THE CYLINDER PSI. (LOCATED ON THE CYLINDER DECAL) AS THEY CONTAIN DIFFERENT COMPONENTS. OLDER CYLINDERS WERE 2500 PSI. AND THE NEW CYLINDERS ARE 3000 PSI. IDENTIFYING THE PART NUMBER OF THE CYLINDER IS EXTREMELY IMPORTANT WHEN ORDERING PARTS TO ENSURE PROPER OPERATION OF THE HYDRAULIC CYLINDER.

I0003564
PR: t05g30m02c0028

**9412 THREE-POINTED MOUNTED DRILL
SERVICE PARTS**

69

**4" X 10" LIFT CYLINDER 12026R
(VERSION 2, 10/22/03 & LATER)**

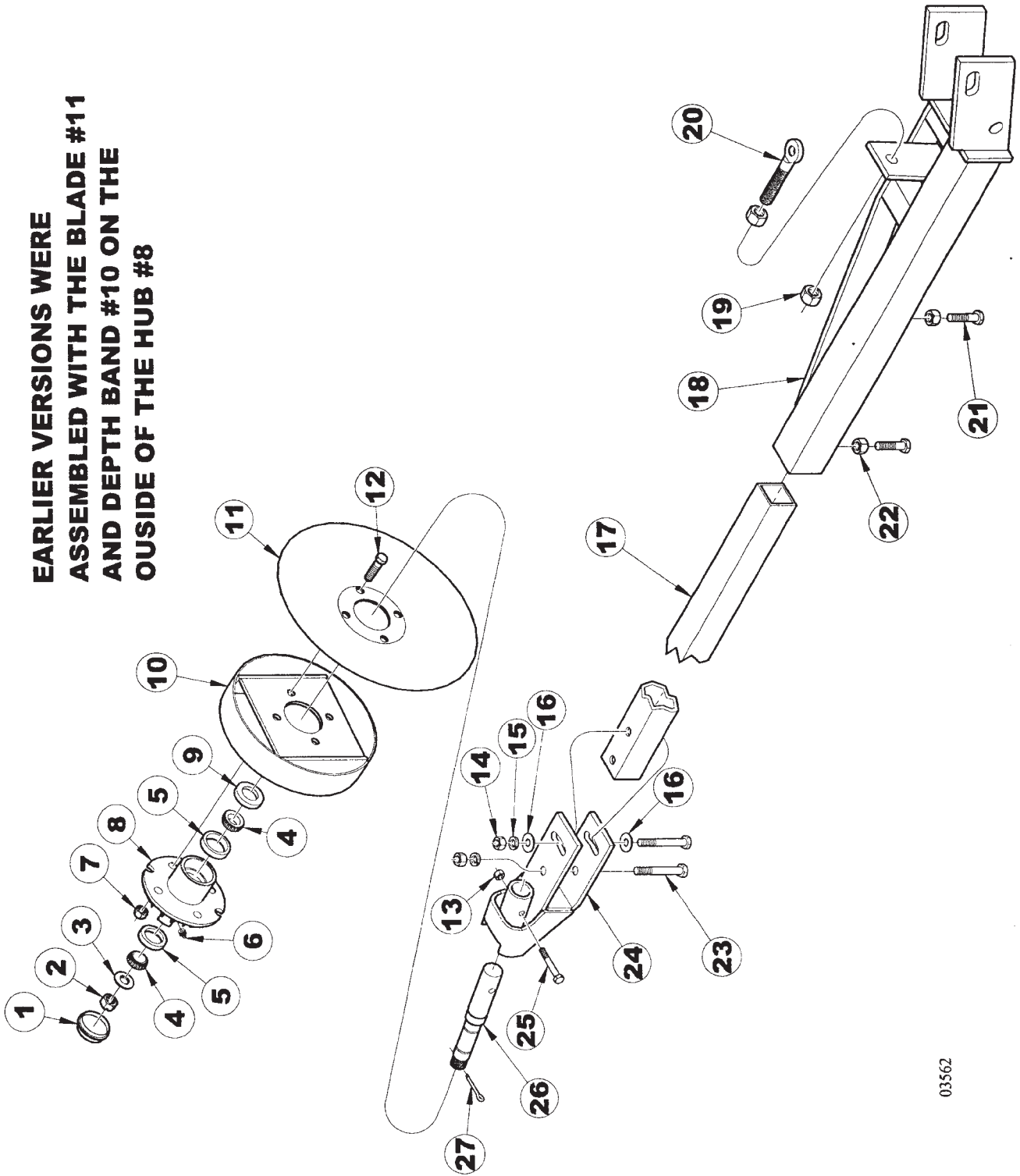
ITEM	NUMBER	QTY	DESCRIPTION
1	SN8617-1		CLEVIS, 1 1/2" THREADS, CROSS
2	SN8671-1		CAPSCREW NUT, 5/16" THREADS CROSS
3	SN12025		ROD, 1 1/2" DIA, 10" CROSS
4	SN8631-1		CAPSCREW, CROSS
5	SN8612-1		SEAL KIT, 4", 1 1/2" ROD, CROSS
6	SN8273-1		HEAD, 4", 1 1/2" ROD, CROSS
7	SN8864-1		TIE ROD NUT, 5/8" THREADS CROSS
8	SN8682-1		PISTON, 4" W/1" HOLE, CROSS
9	SN8683-1		PISTON NUT, 1" CROSS
10	SN8832-1		TUBE, 4" X 10" CROSS
11	SN8654-1		TIE ROD BOLT, 4" X 10" REPHASING, CROSS
12	SN8670-10		BASE, 4" (ORB) CROSS
13			* WIPER
14			* U-CUP
15			* BACKUP
16			* O-RING
17			* O-RING
18	SN4458		PLUG, 3/4"-16 O.R.
19	SN997309		HYDRAULIC SYSTEM HAZARD - DECAL
	SN12026		CYLINDER, 4" X 10" (22 1/4" CPC) ORB, 3000 PSI (VERSION 2, 10/22/03 & LATER)

* AVAILABLE IN THE SEAL KIT ONLY!!
NOTE: WHEN ORDERING HYDRAULIC CYLINDER COMPONENTS, NOTE THE PART NUMBER AND THE CYLINDER PSI. (LOCATED ON THE CYLINDER DECAL) AS THEY CONTAIN DIFFERENT COMPONENTS. OLDER CYLINDERS WERE 2500 PSI. AND THE NEW CYLINDERS ARE 3000 PSI. IDENTIFYING THE PART # OF THE CYLINDER IS EXTREMELY IMPORTANT WHEN ORDERING PARTS TO ENSURE PROPER OPERATION OF THE HYDRAULIC CYLINDER.

I0003564
PR: t05g30m02c0029

OUTER HYDRAULIC ROW MARKERS ASSEMBLY

**EARLIER VERSIONS WERE
ASSEMBLED WITH THE BLADE #11
AND DEPTH BAND #10 ON THE
OUTSIDE OF THE HUB #8**



9412 THREE-POINTED MOUNTED DRILL

71

SERVICE PARTS

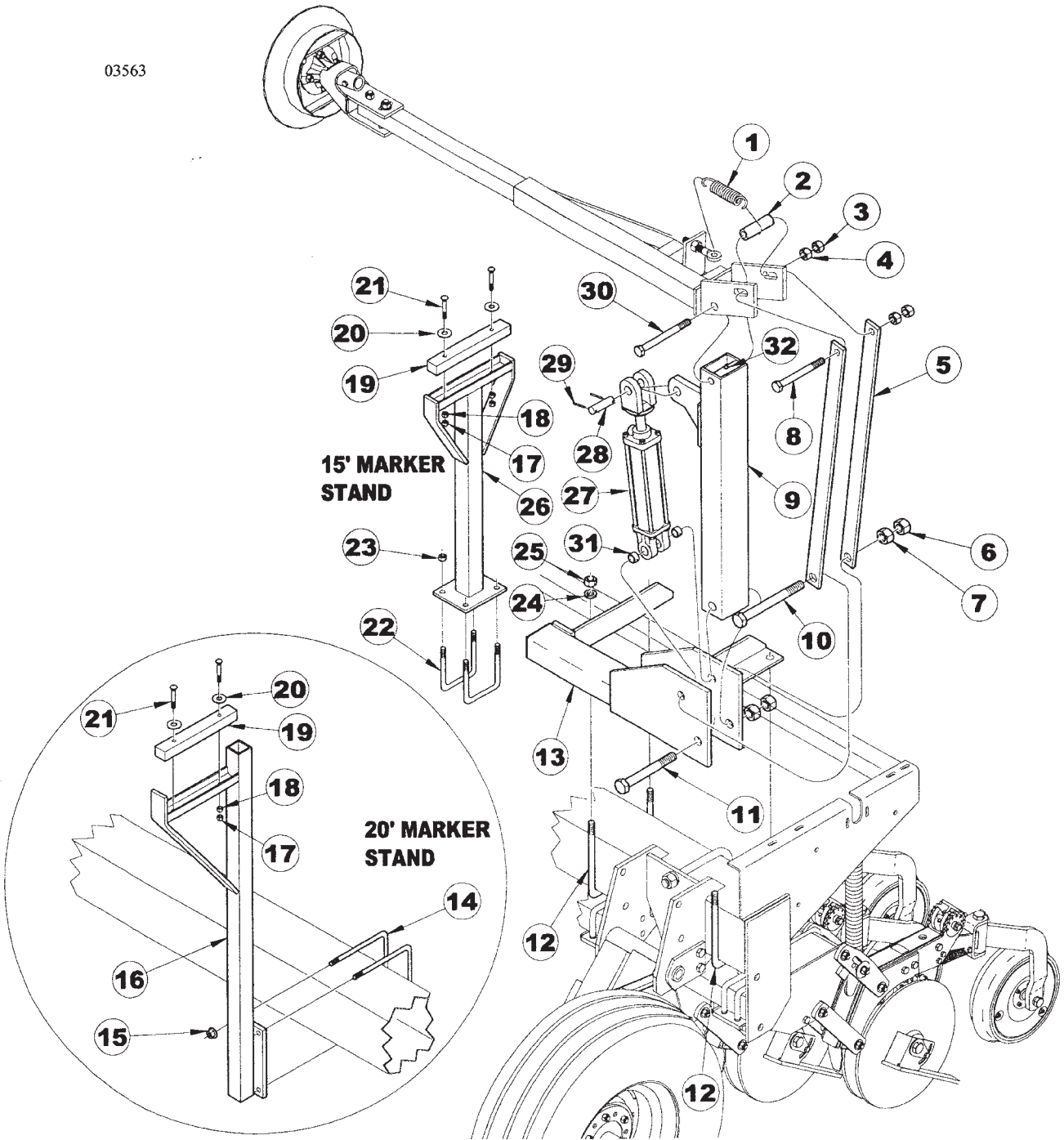
OUTER HYDRAULIC ROW MARKERS ASSEMBLY

ITEM	NUMBER	QTY	DESCRIPTION
1	SN7779		DUST CAP, 1.986" OD X .032" TH Y/D
2	SN7778		HEX NUT, 1"-14 SLOTTED .531" TH GR 2, PLAIN
3	SN3303		WASHER, 1 1/32" ID X 1 3/4" ODX 1/8" THICK, PLAIN
4	SN776		WHEEL BEARING (L44643)
5	SN777		BEARING RACE (L44610)
6	SN2098-6		GREASE ZERK, 1/4"-28, 17/32" L
7	SN2096		LOCK NUT, 1/2"-13 HEX NYLON INSERT, GR 8, Y/D
8	SN7780		FOUR BOLT HUB W/CUPS & ZERK
9	SN7775		SEAL, SINGLE LIP
10	SN7781		MARKER ARM DEPTH BAND
11	SN7773		14" BLADE, 4 BOLT, .138" THICK .78" CONCAVITY
12	SN2045		HEX BOLT, 1/2"-13 X 1 3/4", GR5, Y/D
13	SN3567		LOCK NUT, 3/8"-16 HEX NYLON INSERT, GR 2, Y/D
14	SN114		HEX NUT, 1/2"-13 FULL, GR 2, Y/D
15	SN113		LOCK WASHER, 1/2" SPLIT TYPE MED, Y/D
16	SN486		FLAT WASHER, 1/2", Y/D
17	SNB2632		EXTENSION ARM
18	SN6441		MARKER ARM, 20' RIGHT
	SN6442		MARKER ARM, 20' LEFT
	SN6444		MARKER ARM, 12' & 15' RIGHT
	SN6445		MARKER ARM, 12' & 15' LEFT (SHOWN)
19	SN1243		JAM NUT, 3/4"-10 HEX, GR 2, Y/D
20	SN5731		EYE BOLT, 3/4"-10 X 4 1/2"
21	SN2045		HEX BOLT, 1/2"-13 X 1 3/4", GR5 Y/D
22	SN159		JAM NUT, 1/2"-13, GR 2, Y/D
23	SN1507		HEX BOLT, 1/2"-13 X 3 1/2", GR 5, Y/D
24	SN7782		HUB BRACKET
25	SN2487		HEX BOLT, 3/8"-16 X 2 1/2", GR5, Y/D
26	SN7825		SPINDLE, 1 1/4" X 8 5/8"(1"-14 UNS THD)
27	SN1609		COTTER PIN, 3/16" X 1 1/2"

I0003562
PR: t05g30m02c0030

INNER HYDRAULIC ROW MARKER ASSEMBLY

03563



**9412 THREE-POINTED MOUNTED DRILL
SERVICE PARTS**

73

INNER HYDRAULIC ROW MARKER ASSEMBLY

ITEM	NUMBER	QTY	DESCRIPTION
1	SN6617		SPRING, .262" WIRE DIA X 7 3/8" L, BLACK
2	SN6456		SPACER, 15' & 20' MARKER, 3 15/16"
3	SN4592		LOCK NUT, 3/4"-10 HEX CENTER GR 2, Y/D
4	SN1243		JAM NUT, 3/4"-10 HEX, GR 2, Y/D
5	SN6453		MARKER LINKAGE ARM, 20'
	SN6454		MARKER LINKAGE ARM, 15' (SHOWN)
6	SNHCL		LOCK NUT, 1"-8 UNC HEX CENTER, GR 2, Y/D
7	SN1849		JAM NUT, 1"-8 HEX, GR 2, Y/D
8	SN1484		HEX BOLT, 3/4"-10 X 7 1/2", GR 5, Y/D
9	SN6446		MARKER ARM, 15' INNER (SHOWN)
	SN6443		MARKER ARM, 20' INNER
10	SN3485		HEX BOLT, 1"-8 X 8", GR 5, Y/D
11	SN109		HEX BOLT, 1"-8 X 7", GR 5, Y/D
12	SNDR80019		U-BOLT, 3/4"-10 X 8 3/4" X 7 13/16" W, GR 5, Y/D
13	SN6447		MARKER MOUNT, 20' RIGHT
	SN6448		MARKER MOUNT, 20' LEFT
	SN6449		MARKER MOUNT, 15' RIGHT
	SN6450		MARKER MOUNT, 15' LEFT (SHOWN)
14	SNDR80018		U-BOLT, 1/2"-13 X 8 1/4" X 7 5/8" W, GR 5, Y/D

NOTE: WHEN ORDERING HYDRAULIC CYLINDER COMPONENTS, NOTE THE PART NUMBER AND THE CYLINDER PSI. (LOCATED ON THE CYLINDER DECAL) AS THEY CONTAIN DIFFERENT COMPONENTS. OLDER CYLINDERS WERE 2500 PSI. AND THE NEW CYLINDERS ARE 3000 PSI. IDENTIFYING THE PART # OF THE CYLINDER IS EXTREMELY IMPORTANT WHEN ORDERING PARTS TO ENSURE PROPER OPERATION OF THE HYDRAULIC CYLINDER.

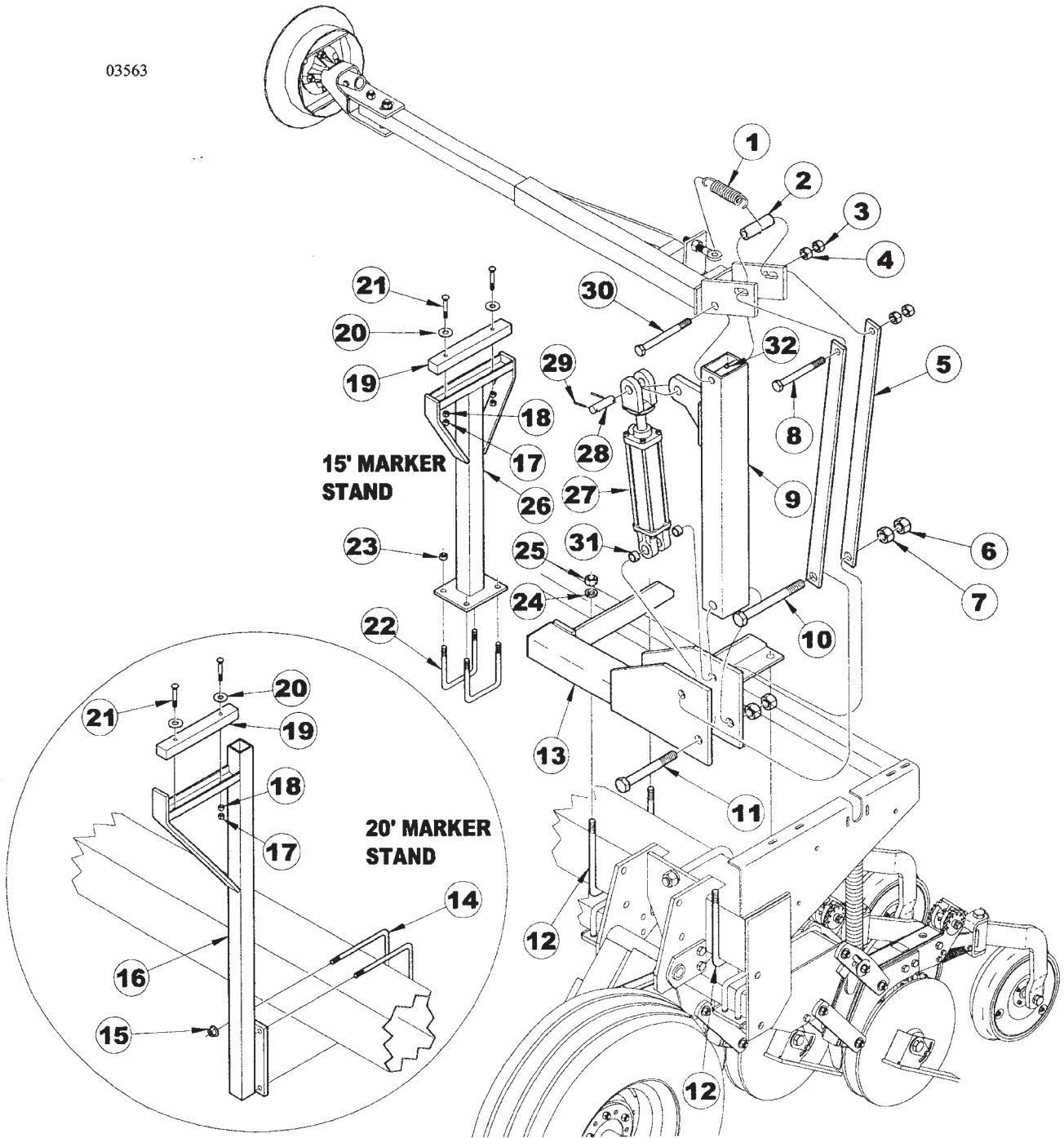
WARNING
THESE PARTS ARE IMPORTANT TO THE SAFETY OF THIS EQUIPMENT AND THOSE WHO OPERATE IT. USE ONLY EXACT REPLACEMENT PARTS TO PREVENT HYDRAULIC FAILURE. BEFORE REPLACING THESE PARTS, REVIEW AND FOLLOW THE INSTRUCTIONS IN THE SAFETY AND OPERATING SECTIONS OF THIS MANUAL.

CONTINUED

I0003563
PR: t05g30m02c0031

INNER HYDRAULIC ROW MARKER ASSEMBLY

03563



**9412 THREE-POINTED MOUNTED DRILL
SERVICE PARTS**

75

INNER HYDRAULIC ROW MARKER ASSEMBLY

ITEM	NUMBER	QTY	DESCRIPTION
15	SNDR81041		LOCK NUT, 1/2"-13 HEX FLANGE, GR 2, Y/D
16	SN6610		MARKER STAND, 20'
17	SN177		HEX NUT, 3/8"-16 FULL, GR 2, Y/D
18	SN1244		JAM NUT, 3/8"-16 HEX, GR 2, Y/D
19	SN6611		RUBBER PAD, MARKER STAND
20	SN2089		FLAT WASHER, 5/8", Y/D
21	SN6490		CARRIAGE BOLT, 3/8" X 2 1/2" GR 5, Y/D
22	SN6954		U-BOLT, 1/2"-13 X 4" X 4 9/16" W, GR 5, Y/D
23	SN2096		LOCK NUT, 1/2"-13 HEX NYLON INSERT, GR 8, Y/D
24	SN1040		LOCK WASHER, 3/4" SPLIT TYPE MED, Y/D
25	SN106		HEX NUT, 3/4"-10 FULL, GR 5, Y/D
26	SN6609		MARKER STAND, 15'
27	SNDR55002		CYLINDER, 2 1/2" X 8" ORB CROSS (*VERSION 1, PRIOR TO 6/23/03)
	SN12051		CYLINDER, 2 1/2" X 8" ORB CROSS, 3000 PSI (*VERSION 2, 6/23/03 & LATER)
28	SN5339		PIN, 1" X 4 1/16" (3"), Y/D
29	SN3164		ROLL PIN, 5/16" X 2" SPIRAL MEDIUM DUTY, Y/D
30	SN1676		HEX BOLT, 3/4"-10 X 7", GR 5 Y/D
31	SNDR12035		LOCKING COLLAR, 1 5/8" OD X 1" ID X 5/8" L W/SET SCREW
32	SN2098-6		GREASE ZERK, 1/4"-28, 17/32" L

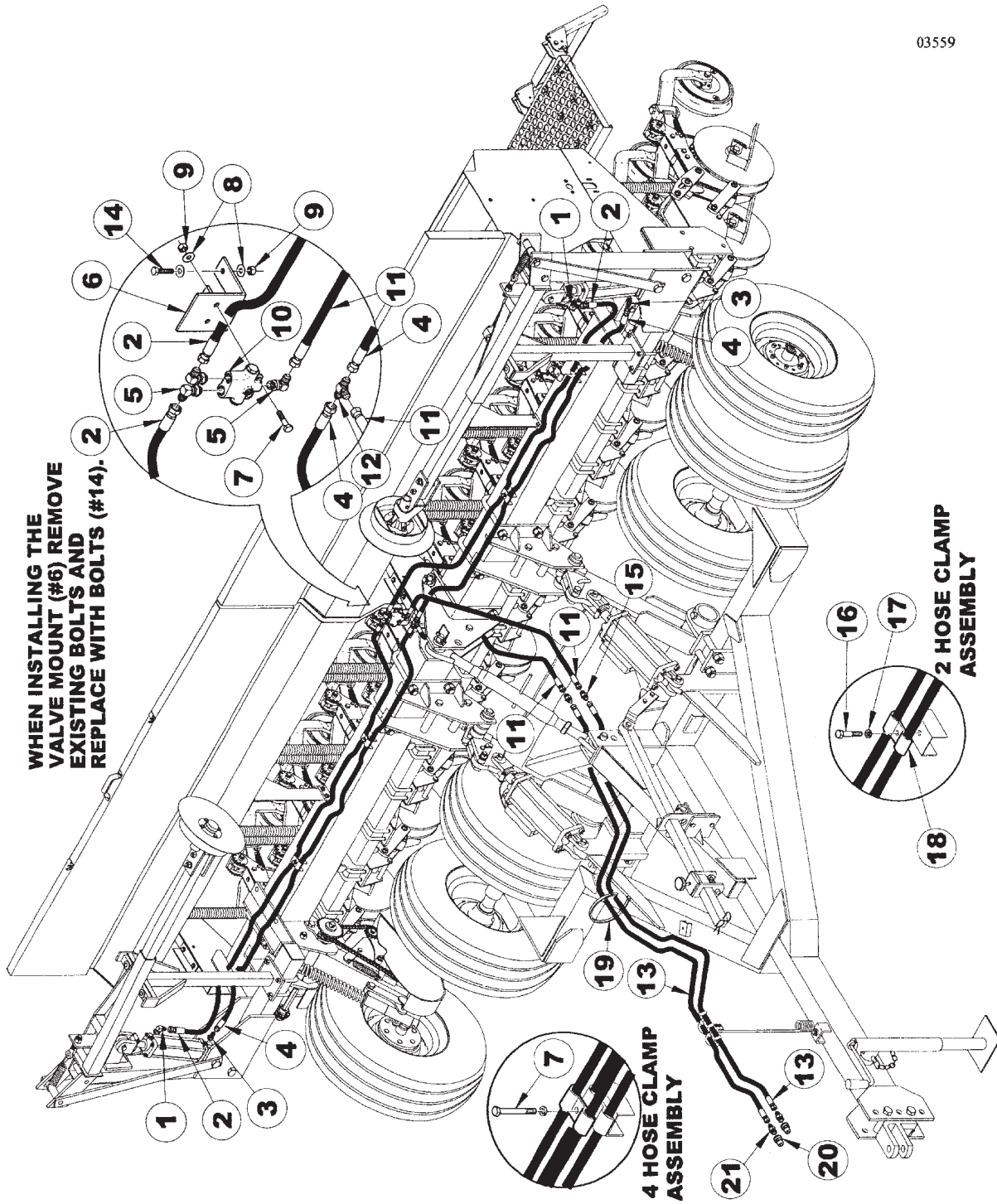
NOTE: WHEN ORDERING HYDRAULIC CYLINDER COMPONENTS, NOTE THE PART NUMBER AND THE CYLINDER PSI. (LOCATED ON THE CYLINDER DECAL) AS THEY CONTAIN DIFFERENT COMPONENTS. OLDER CYLINDERS WERE 2500 PSI. AND THE NEW CYLINDERS ARE 3000 PSI. IDENTIFYING THE PART # OF THE CYLINDER IS EXTREMELY IMPORTANT WHEN ORDERING PARTS TO ENSURE PROPER OPERATION OF THE HYDRAULIC CYLINDER.

WARNING
THESE PARTS ARE IMPORTANT TO THE SAFETY OF THIS EQUIPMENT AND THOSE WHO OPERATE IT. USE ONLY EXACT REPLACEMENT PARTS TO PREVENT HYDRAULIC FAILURE. BEFORE REPLACING THESE PARTS, REVIEW AND FOLLOW THE INSTRUCTIONS IN THE SAFETY AND OPERATING SECTIONS OF THIS MANUAL.

I0003563
PR: t05g30m02c0031

ROW MARKER HYDRAULICS

03559



**9412 THREE-POINTED MOUNTED DRILL
SERVICE PARTS**

77

ROW MARKER HYDRAULICS

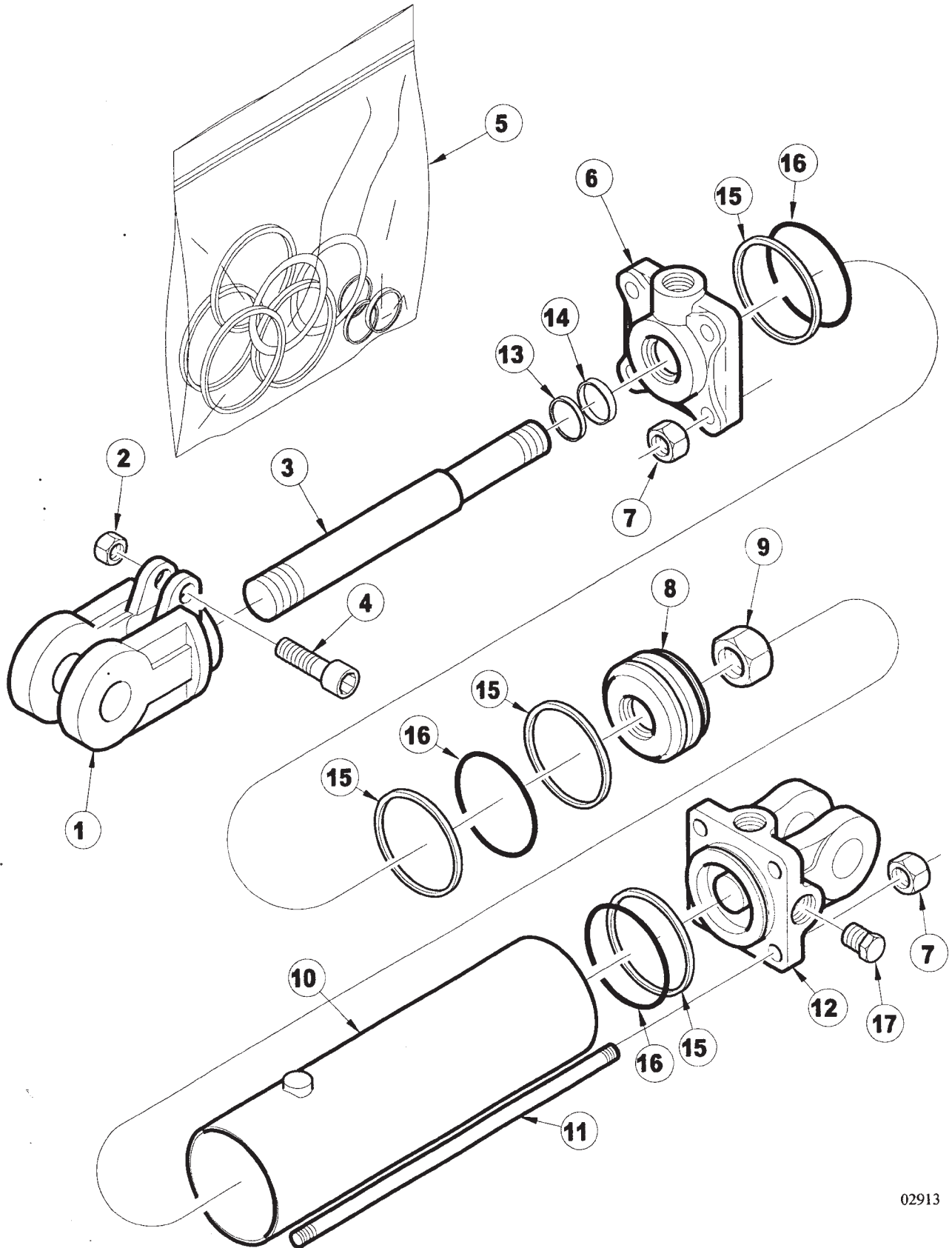
ITEM	NUMBER	QTY	DESCRIPTION
1	SN6991		90 DEG. STRAIGHT THREAD ELBOW, 9/16"-18 M.F. X 3/4"-16 O.R. WITH 1/32" REST
2	SN4110011		HOSE, 1/4" X 110" LONG, 9/16"-18 FEMALE ENDS, 15'
	SN4136011		HOSE, 1/4" X 136" LONG, 9/16"-18 FEMALE ENDS, 20'
3	SN6736		STRAIGHT THREAD CONNECTOR, 9/16"-18 M.F. X 3/4"-16 O.R.
4	SN4098011		HOSE, 1/4" X 98" LONG, 9/16"-18 FEMALE ENDS, 15'
	SN4130011		HOSE, 1/4" X 130" LONG, 9/16"-18 FEMALE ENDS, 20'
5	SN6935		90 DEG. STRAIGHT THREAD ELBOW, 9/16"-18 M.F. X 3/4"-16 O.R.
6	SNB1141		VALVE MOUNT (15')
	SN9184		VALVE MOUNT (20')
7	SN474		3/8" X 2" HEX BOLT
8	SN317		3/8" FLAT WASHER
9	SN3567		3/8" LOCK NUT
10	SNDR56006		VALVE, 3/4"-16 O.R. SEQUENCE
11	SN4050011		HOSE, 1/4" X 50" LONG, 9/16"-18 FEMALE ENDS
12	SN7077		UNION TEE, 9/16"-18 M.F.
13	SN4153002		HOSE, 3/8" X 153" LONG, FEMALE ENDS (USED WITH TRANSPORT PULL HITCH)
14	SN175		3/8" X 1 1/2" HEX BOLT
15	SN7075		UNION, 3/4"-16 M.F. X 9/16"-18 M.F. HEX (USED WITH TRANSPORT PULL HITCH)
16	SN3984		3/8" X 1 1/4" HEX BOLT
17	SN176		3/8" LOCK WASHER
18	SN5302		PIPE CLAMP, 3/8" BOLT HOLE
19	SN2587		PLASTIC HOSE STRAP, 21 1/2" L.
20	SN3253		HYDRAULIC COUPLER, MALE HALF
21	SN6177		MALE CONNECTOR, 9/16"-18 M.F. X 1/2"-14 M.P.T.
	SN2425		MALE CONNECTOR, 3/4"-16, M.F. X 1/2"-14 M.P.T. (USED WITH TRANSPORT PULL HITCH)

WARNING
THESE PARTS ARE IMPORTANT TO THE SAFETY
OF THIS EQUIPMENT AND THOSE WHO OPERATE
IT. USE ONLY EXACT REPLACEMENT PARTS TO
PREVENT HYDRAULIC FAILURE. BEFORE
REPLACING THESE PARTS, REVIEW AND
FOLLOW THE INSTRUCTIONS IN THE SAFETY
AND OPERATING SECTIONS OF THIS MANUAL.

I0003559
PR: t05g30m02c0032

9412 THREE-POINTED MOUNTED DRILL
SERVICE PARTS

2 1/2" X 8" CYLINDER DR55002
(VERSION 1, PRIOR TO 6/23/03)



**9412 THREE-POINTED MOUNTED DRILL
SERVICE PARTS**

79

**2 1/2" X 8" CYLINDER DR55002
(VERSION 1, PRIOR TO 6/23/03)**

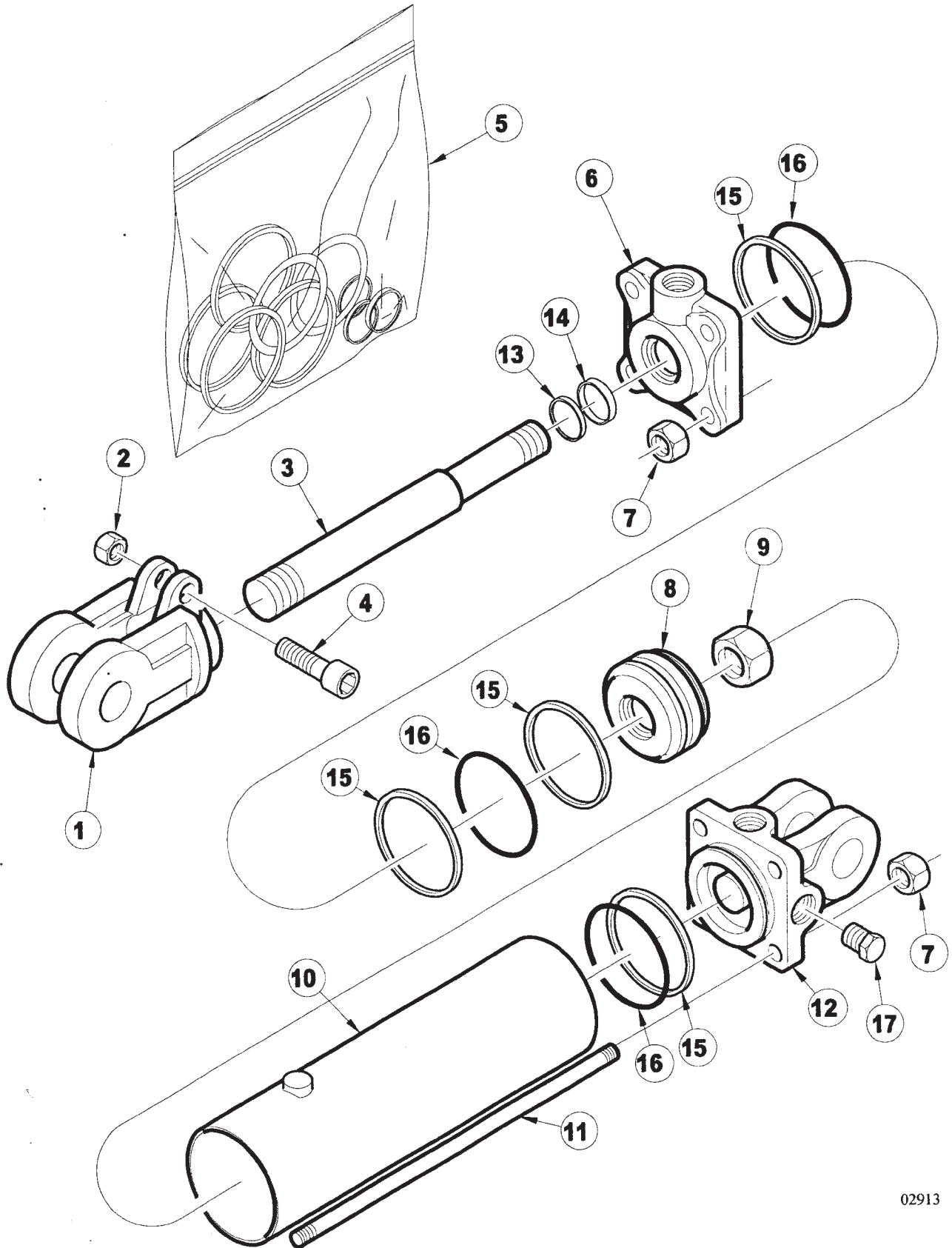
ITEM	NUMBER	QTY	DESCRIPTION
1	SN8629-1		CLEVIS , 1 1/16" THREADS
2	SN8671-1		CAPSCREW NUT
3	SN8879-1		1" ROD
4	SN8631-1		CAPSCREW
5	SN8800-1		SEAL KIT
6	SN8721-10		HEAD, 2 1/2", 1" ROD
7	SN8864-1		TIE ROD NUT
8	SN8689-1		PISTON
9	SN8681-1		PISTON NUT, 3/4"
10	SN8809-1		TUBE
11	SN8870-1		TIE ROD BOLT
12	SN8690-10		BASE, 2 1/2"
13			* WIPER
14			* U-CUP
15			* BACKUP
16			* O-RING
17	SN4458 SNDR55002		PLUG, 3/4"-16 O.R. 2 1/2" X 8" CROSS CYLINDER (VERSION 1, PRIOR TO 6/23/03)

* AVAILABLE IN THE SEAL KIT ONLY!
NOTE: WHEN ORDERING HYDRAULIC CYLINDER COMPONENTS, NOTE THE PART NUMBER AND THE CYLINDER PSI. (LOCATED ON THE CYLINDER DECAL) AS THEY CONTAIN DIFFERENT COMPONENTS. OLDER CYLINDERS WERE 2500 PSI. AND THE NEW CYLINDERS ARE 3000 PSI. IDENTIFYING THE PART # OF THE CYLINDER IS EXTREMELY IMPORTANT WHEN ORDERING PARTS TO ENSURE PROPER OPERATION OF THE HYDRAULIC CYLINDER.

I0002913
PR: t05g30m02c0033

9412 THREE-POINTED MOUNTED DRILL
SERVICE PARTS

2 1/2" X 8" CYLINDER 12051R
(VERSION 2, 6/23/03 & LATER)



**9412 THREE-POINTED MOUNTED DRILL
SERVICE PARTS**

81

**2 1/2" X 8" CYLINDER 12051R
(VERSION 2, 6/23/03 & LATER)**

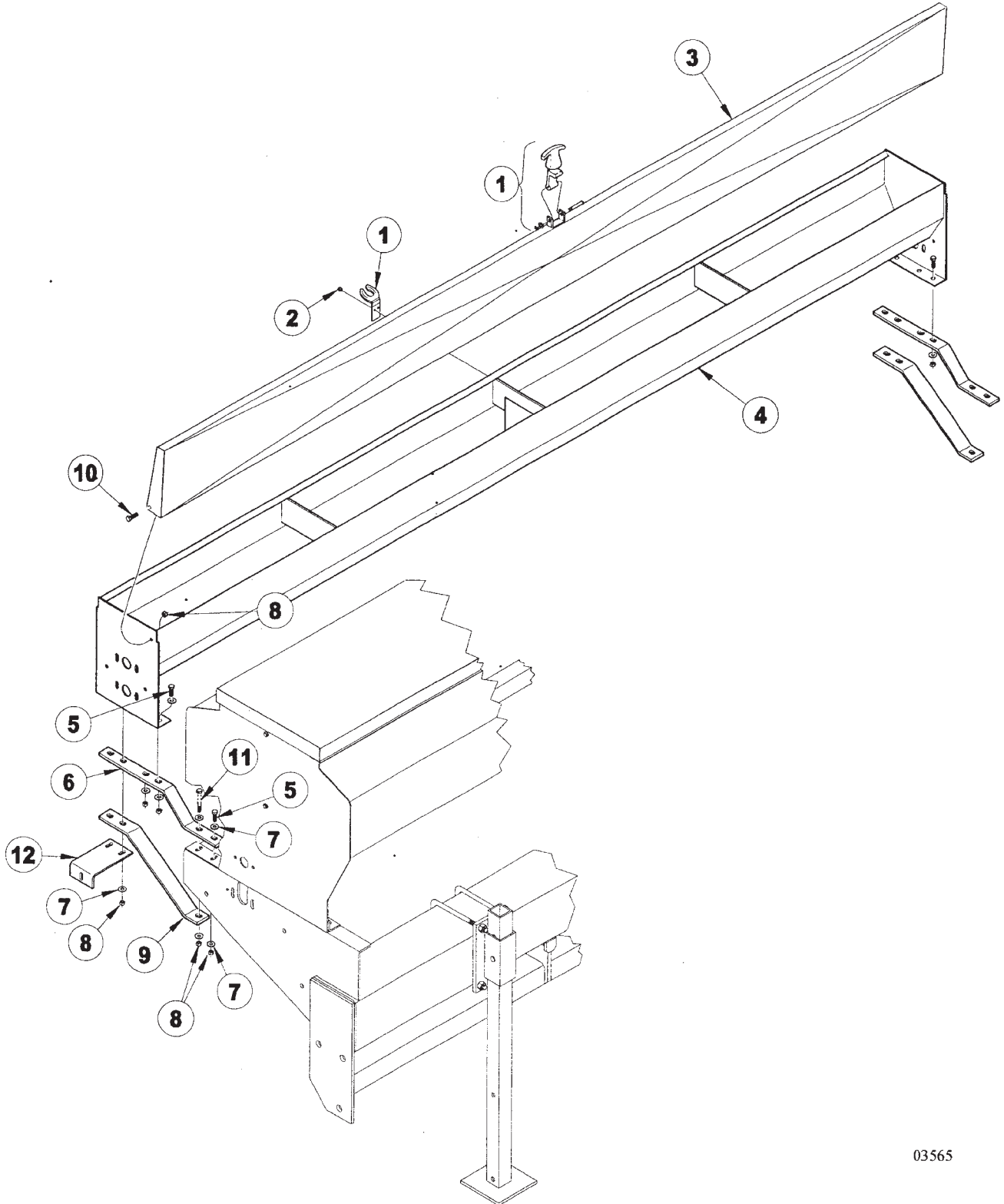
ITEM	NUMBER	QTY	DESCRIPTION
1	SN8629-1		CLEVIS , 1 1/16" THREADS
2	SN8671-1		CAPSCREW NUT
3	SN8879-1		1" ROD
4	SN8631-1		CAPSCREW
5	SN8756-1		SEAL KIT, 2 1/2", 1 1/16" ROD, CROSS
6	SN8731-10		HEAD, 2 1/2", 1 1/16" ROD, CROSS (ORB)
7	SN8864-1		TIE ROD NUT
8	SN8714-1		PISTON, 2 1/2" W/3/4" HOLE, CROSS
9	SN8681-1		PISTON NUT, 3/4"
10	SN8809-1		TUBE
11	SN8870-1		TIE ROD BOLT
12	SN8680-10		BASE, 2 1/2" (ORB), 1" PIN, CROSS
13			* WIPER
14			* U-CUP
15			* BACKUP
16			* O-RING
17	SN4458		PLUG, 3/4"-16 O.R.
	SN12051		CYLINDER, 2 1/2" X 8" (20 1/4" CPC)ORB CROSS, 3000 PSI (VERSION 1, PRIOR TO 6/23/03)

* AVAILABLE IN THE SEAL KIT ONLY!
NOTE: WHEN ORDERING HYDRAULIC CYLINDER COMPONENTS, NOTE THE PART NUMBER AND THE CYLINDER PSI. (LOCATED ON THE CYLINDER DECAL) AS THEY CONTAIN DIFFERENT COMPONENTS. OLDER CYLINDERS WERE 2500 PSI. AND THE NEW CYLINDERS ARE 3000 PSI. IDENTIFYING THE PART # OF THE CYLINDER IS EXTREMELY IMPORTANT WHEN ORDERING PARTS TO ENSURE PROPER OPERATION OF THE HYDRAULIC CYLINDER.

I0002913
PR: t05g30m02c0034

9412 THREE-POINTED MOUNTED DRILL
SERVICE PARTS

GRASS SEEDER HOPPER ASSEMBLY (OPTIONAL)

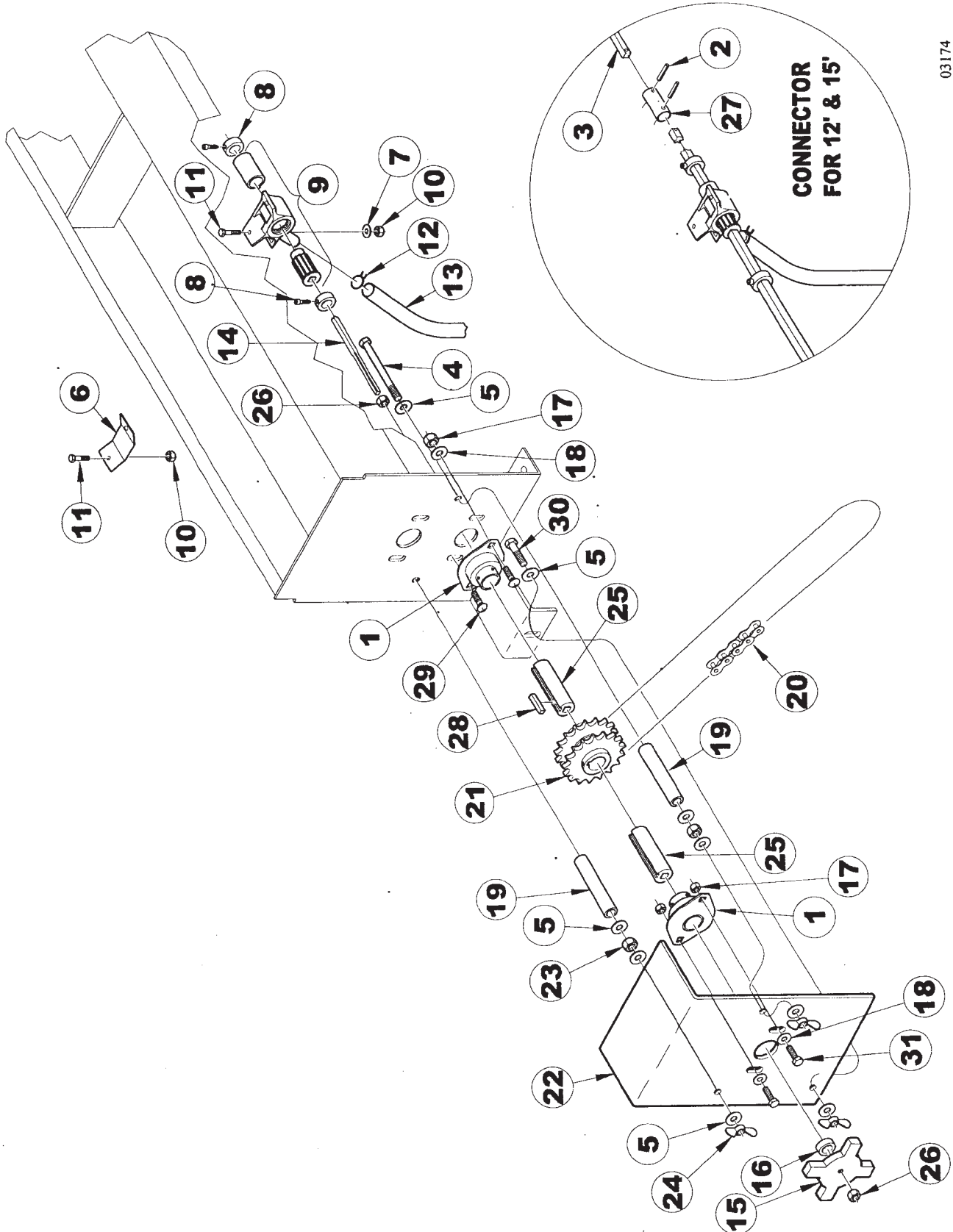


9412 THREE-POINTED MOUNTED DRILL**83****SERVICE PARTS****GRASS SEEDER HOPPER ASSEMBLY (OPTIONAL)**

ITEM	NUMBER	QTY	DESCRIPTION
1	SNA0007		HOPPER LATCH ASSEMBLY
2	SNDR12034		3/16" X 1/4" RIVET
3	SN9930R		HOPPER LID, 12' GRASS SEEDER
	SNBP10065		7 1/2' HOPPER LID, 15'
	SNBP10076		10' HOPPER LID, 10' & 20' (SHOWN)
4	SN9931R		HOPPER BOX, 12' GRASS SEEDER
	SNBP10296		7 1/2' HOPPER BOX, 15'
	SNBP10074		10' HOPPER BOX, 10' & 20' (SHOWN)
5	SN175		3/8" X 1 1/2" HEX BOLT
6	SNBP10030		UPPER BRACKET
7	SN317		3/8" FLAT WASHER
8	SN3567		3/8" LOCK NUT
9	SNBP10031		LOWER BRACKET
10	SN178		3/8" X 1" HEX BOLT
11	SNFK150221		3/8" X 5" HEX BOLT
12	SN7956		BRACKET, LOWER CHAIN GUARD

I0003565
PR: t05g30m02c0035

GRASS SEEDER SHAFT ASSEMBLY



**9412 THREE-POINTED MOUNTED DRILL
SERVICE PARTS**

85

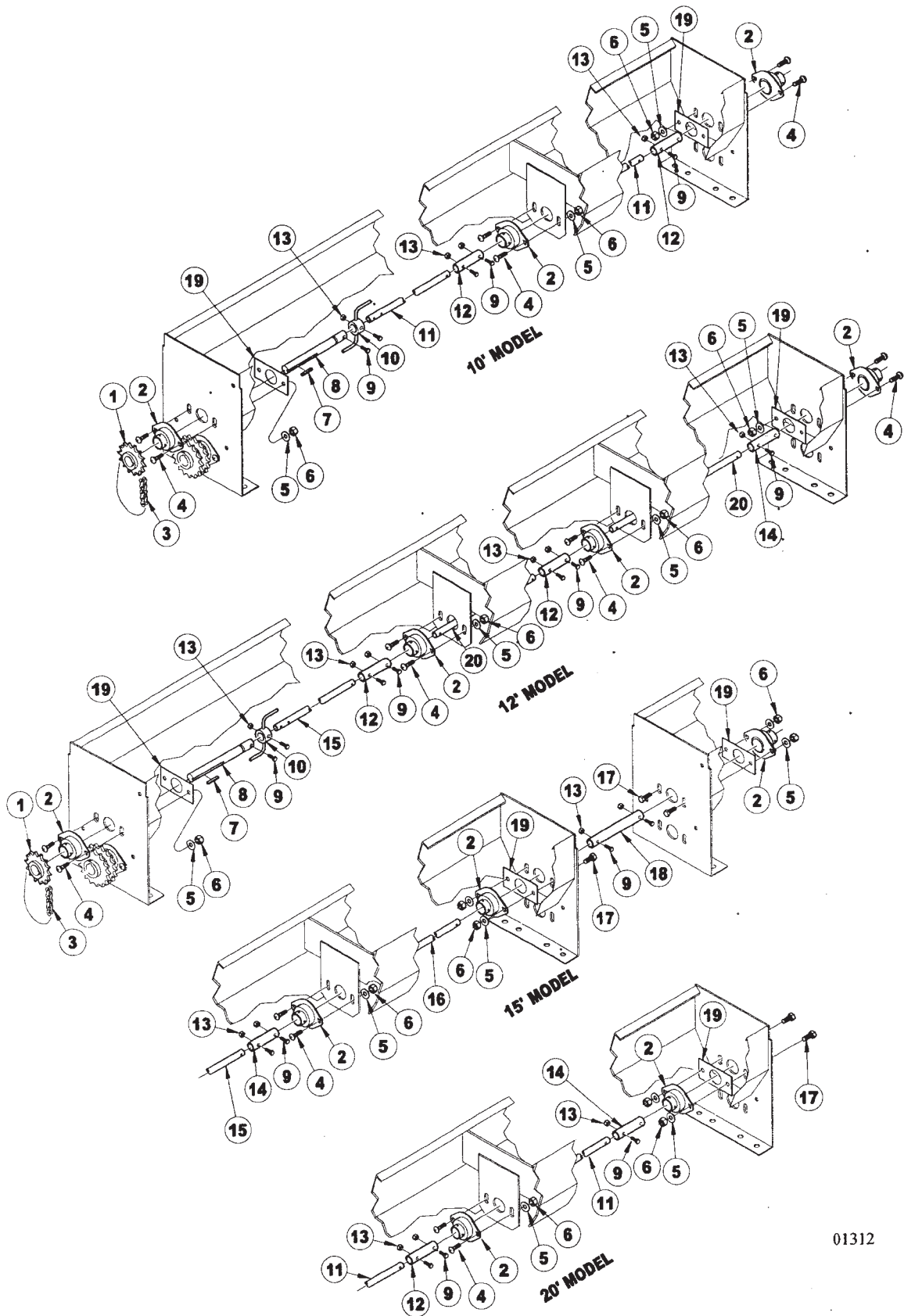
GRASS SEEDER SHAFT ASSEMBLY

ITEM	NUMBER	QTY	DESCRIPTION
1	SNDR30009		BEARING, 1" LFST
2	SNFK150189		1/8" X 1 1/4" ROLL PIN, 12' & 15' ONLY
3	SN9934		SHAFT, 60", 3/8" SQ. Y/D, 12' ONLY
	SN6694		88 1/4" SHAFT, 3/8" SQ., 15' ONLY
4	SNDR10026		3/8" X 4" HEX BOLT
	SN7952		HEX BOLT, 3/8" -16 X 5 1/2", GR 5, Y/D, 12' ONLY
5	SN317		3/8" FLAT WASHER
6	SNBP10041		SEED METER PLUG
7	SN506		1/4" FLAT WASHER
8	SNDR12006		LOCKING COLLAR
9	SNA0119		SEED METER ASSEMBLY, GRASS SEEDER
10	SN3881		1/4" LOCK NUT
11	SNDR10025		1/4" X 5/8" HEX BOLT
12	SNDR12003		GRASS SEED TUBE CLAMP
13	SNDR20005		SEED TUBE, .875" O.D. X .625" I.D., 48"L
14	SN6694		SHAFT, 88 1/4", 3/8" SQ, Y/D(15' DRILLS)
	SN7953		SHAFT, 96 1/2", 3/8" SQ, Y/D (12' & 15' DRILLS)
	SN7954		SHAFT, 126 1/2", 3/8" SQ, Y/D (10' & 20' DRILLS)
	SNB1610		124" SHAFT, 3/8" SQ., 10' & 20'
15	SNB1142		ADJUSTMENT KNOB
16	SN6713		SPACER, 1" O.D. X .563" I.D., 1" L.
17	SN6378		5/16" LOCK NUT
18	SN6377		5/16" FLAT WASHER
19	SNB2620		SPACER, .750" O.D. X .500" I.D., 2 5/8"L
	SN7955		SPACER, .750" O.D. X .437" I.D., 4" L., 12' ONLY
20	SN6711		48 1/8" #50 CHAIN WITH HALF LINK
21	SN6710		DOUBLE SPROCKET, 17 TOOTH, 1" BORE, #50 CHAIN
22	SN7957		CHAIN GUARD BEARING BRACKET, RIGHT GRASS SEEDER
	SN7958		CHAIN GUARD BEARING BRACKET, LEFT GRASS SEEDER
23	SN177		3/8" FULL NUT
24	SNDR10506		3/8" WING NUT
25	SN6569		KEYED BUSHING, 1" O.D. X 2 1/2" L.
26	SN159		1/2" JAM NUT
27	SN6695		METER SHAFT CONNECTOR (3/8"), 15' ONLY
28	SNDR41509		SPROCKET KEY
29	SN6376		5/16" X 1" CARRIAGE BOLT
30	SN3984		HEX BOLT, 3/8"-16 X 1 1/4", GR 5, Y/D
31	SN3722		5/16"-18 X 1" HEX BOLT, GR5, Y/D

I0003174
PR: t05g30m02c0036

9412 THREE-POINTED MOUNTED DRILL
SERVICE PARTS

GRASS SEEDER AGITATOR ASSEMBLY



9412 THREE-POINTED MOUNTED DRILL
SERVICE PARTS

87

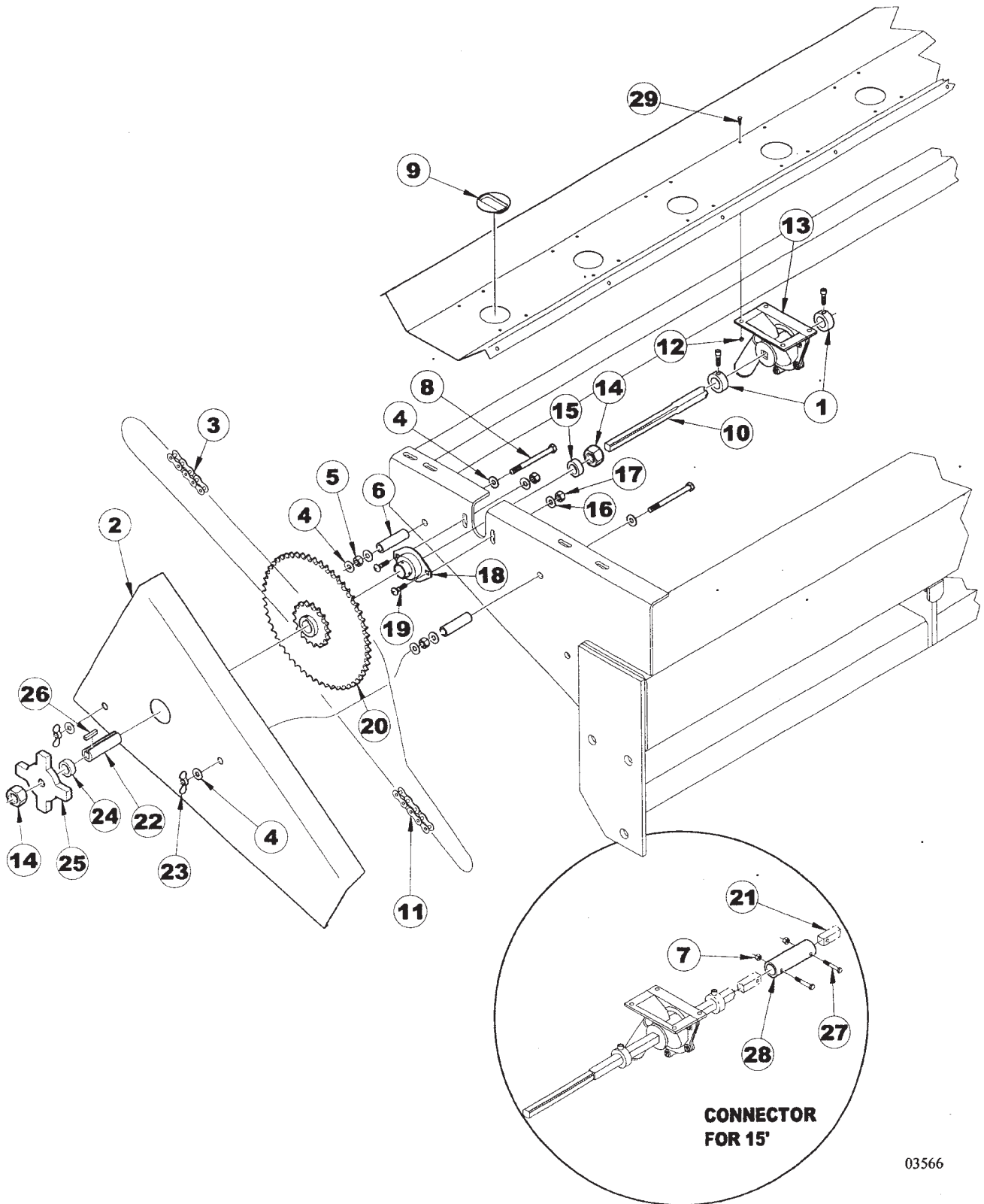
GRASS SEEDER AGITATOR ASSEMBLY

ITEM	NUMBER	QTY	DESCRIPTION
1	SN6714		SPROCKET, 14 TOOTH, 1" BORE, #50 CHAIN
2	SNDR30009		BEARING, 1" LFST
3	SN6709		16 7/8" #50 CHAIN
4	SN6376		5/16" X 1" CARRIAGE BOLT
5	SN6377		5/16" FLAT WASHER
6	SN6378		5/16" LOCK NUT
7	SNDR41509		SPROCKET KEY
8	SN6699		7 3/8" AGITATOR SHAFT, 10' 12' & 20'
9	SN2486		1/4" X 1 1/2" HEX BOLT
10	SN6703		AGITATOR
11	SN6696		55 1/2" AGITATOR SHAFT, 10' & 20'
	SN6697		AGITATOR SHAFT, 43 3/8", 12'
12	SN6701		AGITATOR CONNECTOR, 5 1/8" L., 10' 12' & 20'
13	SN3881		1/4" LOCK NUT
14	SN6702		AGITATOR CONNECTOR, 3 3/4" L., 15' & 20'
15	SN6697		43 3/8" AGITATOR SHAFT, 15'
16	SN6698		40 1/16" AGITATOR SHAFT, 15'
17	SN3722		5/16" X 1" HEX BOLT, 15' & 20'
18	SN6700		AGITATOR CONNECTOR, 7 1/2" L., 15'
19	SN7459		BEARING PLATE, AGITATOR
20	SN9932R		AGITATOR SHAFT, 46 1/2", 12'

I0001312
PR: t05g30m02c0037

9412 THREE-POINTED MOUNTED DRILL
SERVICE PARTS

DRILL SHAFT ASSEMBLY WHEN USING GRASS
SEEDER



**9412 THREE-POINTED MOUNTED DRILL
SERVICE PARTS**

89

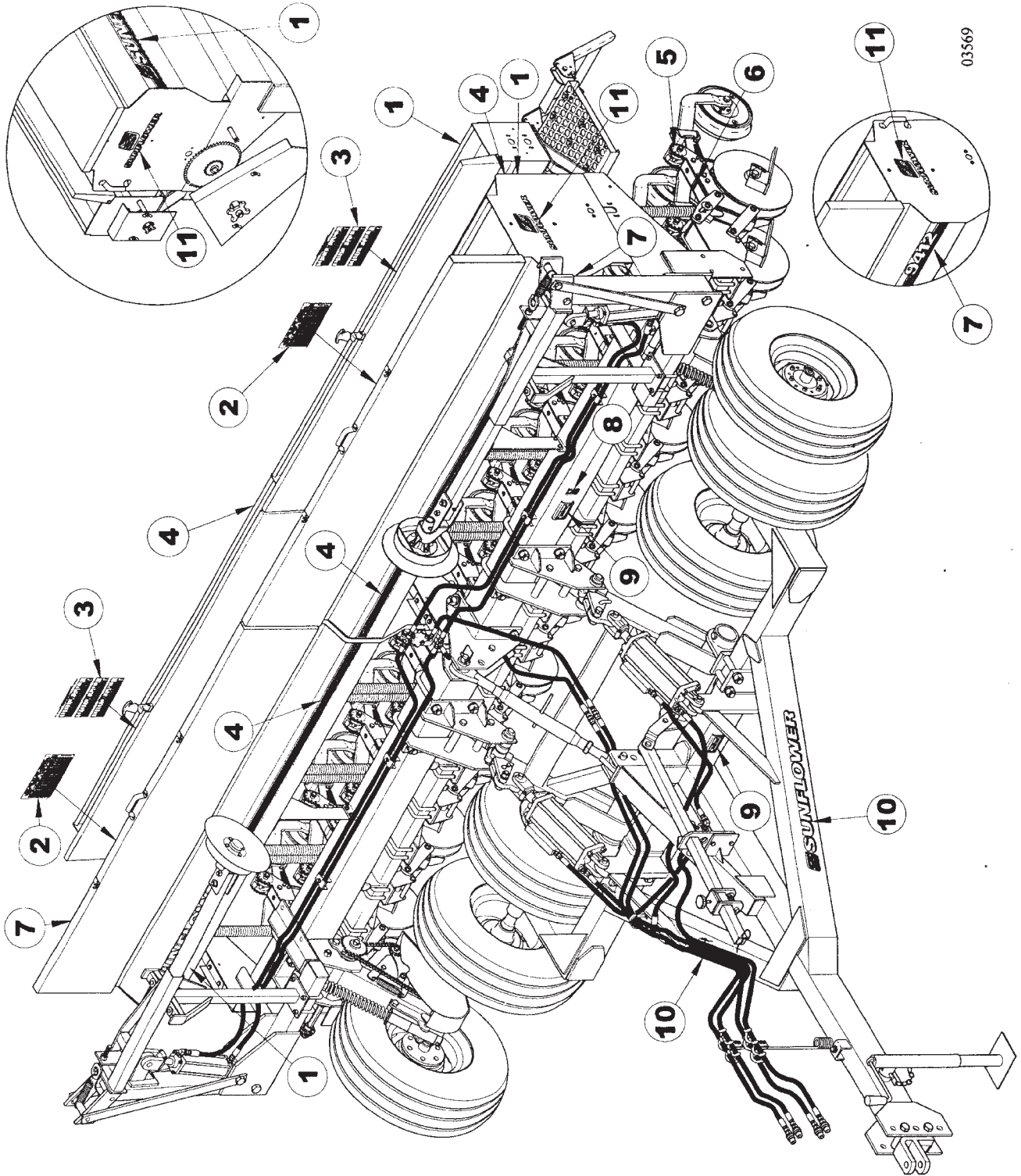
**DRILL SHAFT ASSEMBLY WHEN USING GRASS
SEEDER**

ITEM	NUMBER	QTY	DESCRIPTION
1	SN6581		LOCKING COLLAR, 1 1/2" OD X 6325 SQ. W/CAP SCREW
2	SN9190		RIGHT CHAIN GUARD
	SN9191		LEFT CHAIN GUARD, 20' ONLY
3	SN6711		48 1/8" #50 CHAIN WITH HALF LINK
4	SN317		3/8" FLAT WASHER
5	SN177		3/8" FULL NUT
6	SNB2620		SPACER, .750" O.D. X .500" I.D., 2 5/8" L.
7	SN3881		1/4" LOCK NUT
8	SNDR10026		3/8" X 4" HEX BOLT
9	SNDR12017		SEED METER PLUG
10	SNB1598		94" SHAFT, 5/8" SQ., 7 1/2' & 15'
	SN9188		SHAFT, 124 3/4", 5/8" SQ, Y/D 10'
11	SNDR80030		64 3/8" #50 CHAIN
12	SN10326		NUT, 10-24 UNC HEX HEAD W/LOCKWASHER
13	SNA0012		SEED METER ASSEMBLY
14	SN1243		3/4" JAM NUT
15	SN6704		SPACER, 1.25" O.D. X .875" I.D., 3/4" L.
16	SN6377		5/16" FLAT WASHER
17	SN6378		5/16" LOCK NUT
18	SNDR30009		BEARING, 1" LFST
19	SN6376		5/16" X 1" CARRIAGE BOLT
20	SN6707		DOUBLE SPROCKET, (1) 54 TOOTH, (1) 17 TOOTH, 1" BORE, #50 CHAIN
21	SNB1599		88 1/4" SHAFT, 5/8" SQ., 15'
22	SNDR41506		KEYED BUSHING, 1" O.D. X 31/4" L.
23	SNDR10506		3/8" WING NUT
24	SNBT10275		SPACER, 1.250" O.D. X .781" I.D., 15/32" L.
25	SNB1540		ADJUSTMENT KNOB
26	SNDR41509		SPROCKET KEY
27	SN1550		1/4" X 2" HEX BOLT, 15' ONLY
28	SNB2639		METER SHAFT CONNECTOR, 15' ONLY
29	SN9076		HEX BOLT, NO. 10-24 X 1/2", GR2, Y/D

I0003566
PR: t05g30m02c0038

9412 THREE-POINTED MOUNTED DRILL SERVICE PARTS

DECAL PLACEMENT



**9412 THREE-POINTED MOUNTED DRILL
SERVICE PARTS**

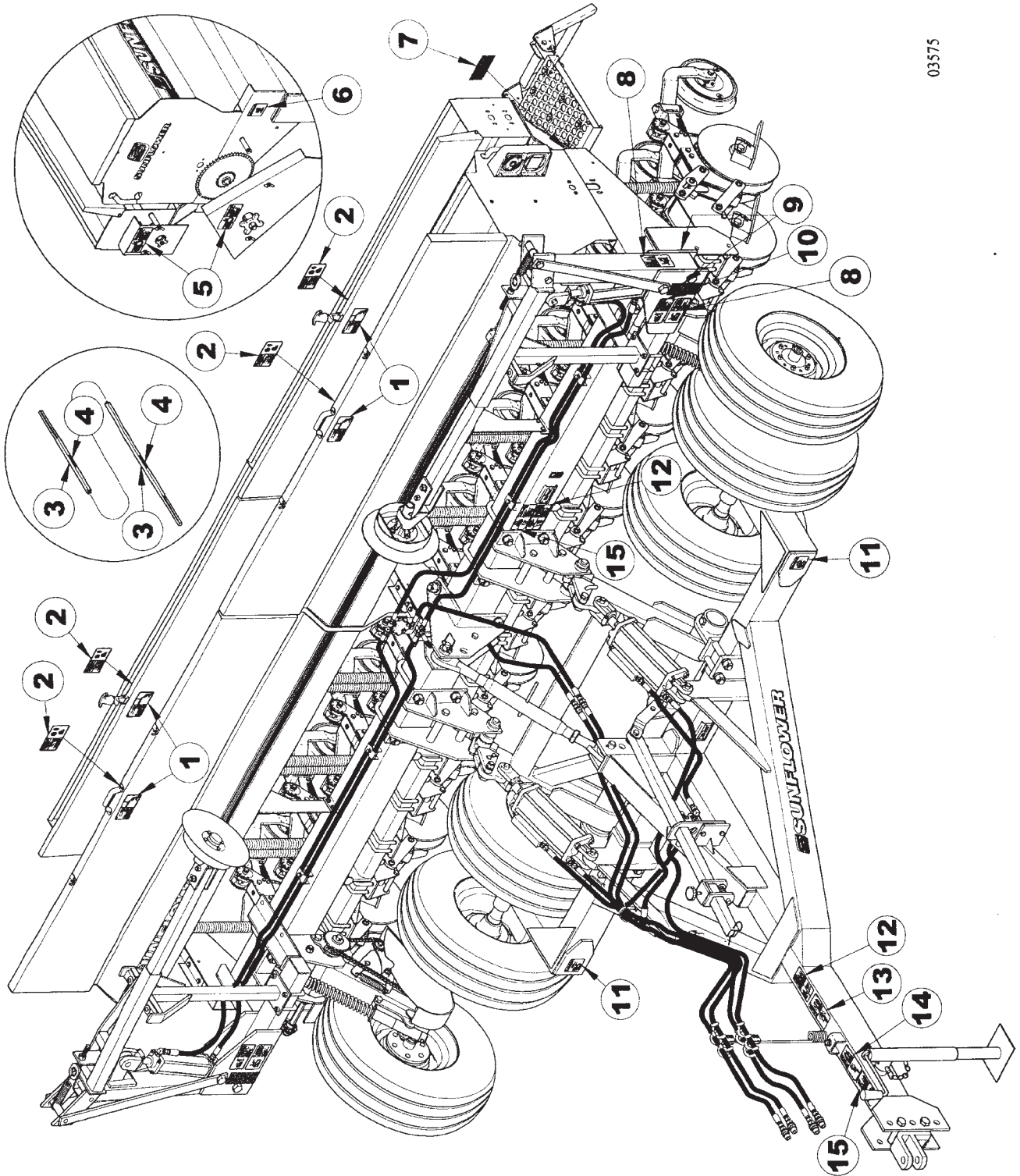
91

DECAL PLACEMENT

ITEM	NUMBER	QTY	DESCRIPTION
1	SN997701		3 1/2" X 36 1/2" L SUNFLOWER/GRAIN
2	SN997327		SEED CHART DECAL, GRAIN DRILL
3	SN997326		SEED CHART DECAL, GRASS SEED
4	SN997707		STRIPE, 2 1/8" X 76" L, YELLOW/BLACK
5	SN997407		DEPTH DECAL
6	SN997459		PATENT DECAL #5, 626, 196
7	SN997704		9412 DECAL
8	SN997246		FEMA DECAL
9			SERIAL NUMBER PLATE
10	SN997002		SUNFLOWER DECAL
11	SN997708		SUNFLOWER DECAL - END PANEL

I0003569
PR: t05g30m02c0039

SAFETY SIGN PLACEMENT



03575

**9412 THREE-POINTED MOUNTED DRILL
SERVICE PARTS**

93

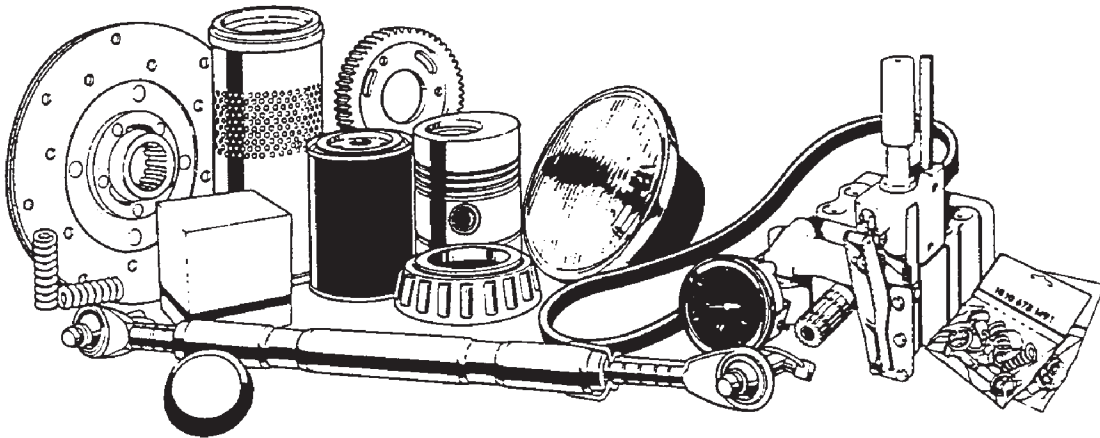
SAFETY SIGN PLACEMENT

ITEM	NUMBER	QTY	DESCRIPTION
1	SN997320		WARNING - FALLING HAZARD
2	SN997325		WARNING - CHEMICAL HAZARD
3	SN997340		YELLOW REFLECTIVE TAPE, 1/2" X 3" L
4	SN997339		RED REFLECTIVE TAPE, 1/2" X 3"L
5	SN997319		WARNING - MOVING PART HAZARD
6	SN997321		WARNING - GUARD MISSING
7	SN997040		RED REFLECTIVE TAPE
8	SN997324		DANGER - OVERHEAD MARKER HAZARD
9	SN997041		AMBER REFLECTIVE TAPE
10	SN997323		DANGER - ELECTROCUTION HAZARD
11	SN997318		WARNING - 20 MPH MAX TRANSPORT SPEED
12	SN997311		WARNING - HIGH PRESSURE FLUID HAZARD
13	SN997048		FASTEN SAFETY CHAIN
14	SN997074		WARNING - UNHITCHING HAZARD
15	SN997043		CAUTION - READ OPERATORS MANUAL

I0003575
PR: t05g30m02c0040

RECOMMENDED DEALER STOCK

RECOMMENDED DEALER'S STOCK



**9412 THREE-POINTED MOUNTED DRILL
RECOMMENDED DEALER LIST**

95

RECOMMENDED DEALER STOCK

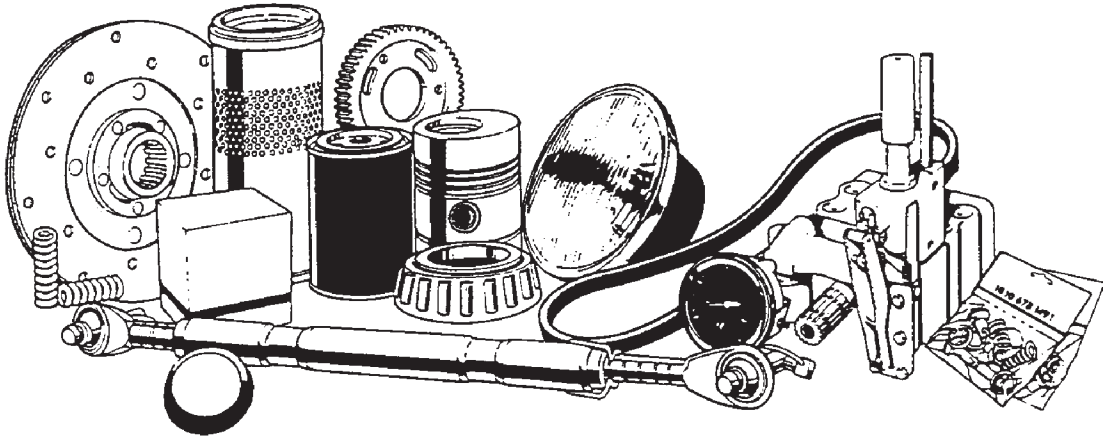
ITEM	NUMBER	QTY	DESCRIPTION
-	SN3303	1	1 1/32" I.D. X 1 3/4" O.D. WASHER
-	SN3302	1	1" SLOTTED FULL NUT
-	SN7773	2	14" BLADE, 4 BOLT, .138" THICK .78"
-	SN7176	4	15" BLADE, 1 1/2" BORE 3.5 MM 6 BOLT
-	SN3686	1	8 BOLT HUB ASSEMBLY (ITEMS 5 THRU 16)
-	SN3117	6	9/16" LUG NUT
-	SN3118	6	9/16" X 1 7/8" PRESS IN LUG BOLT
-	SNDR30005	2	BEARING
-	SNB1120	2	BEARING FLANGE, 6 HOLE, Y/D
-	SN777	2	BEARING RACE (L44610)
-	SN3683	2	BEARING(LM603049)
-	SNDR30009	2	BEARING, 1" LFST
-	SN7218	10	BEARING, 40 MM
-	SN9081	1	BEARING, 7/8" HEX BORE
-	SN12360	1	CHAIN, 48 11/16" L NO. 50
-	SN9177	1	CHAIN, 55 5/8" L NO. 50
-	SN9176	1	CHAIN, 79 3/8" L NO. 50 WITH CONNECTOR
-	SNDR12011	8	CLAMP, SEED TUBE
-	SN1610	1	DUST CAP
-	SNB1127	1	DUST CAP
-	SN7779	1	DUST CAP, 1.986" OD X .032" TH Y/D
-	SN5731	2	EYE BOLT, 3/4"-10 X 4 1/2"
-	SN7780	1	FOUR BOLT HUB W/CUPS & ZERK
-	SN7778	1	HEX NUT, 1"-14 SLOTTED .531" TH GR 2,
-	SNA0007	2	HOPPER LATCH ASSEMBLYT
-	SN1935	2	INNER BEARING (LM501349)
-	SN1936	2	INNER RACE (LM501310)
-	SN7896	1	L-BOLT, 1"-8 X 9" X 9", Y/D
-	SN7024	1	L-BOLT, 5/8"-11 X 4 5/8" X 6 5/8", Y/D
-	SN9753N	4	OPENER BLADE & BRG ASSEMBLY, HEADS UP
-	SN1606	2	OUTER BEARING (LM67048)
-	SN1605	2	OUTER RACE (LM67010)
-	SNDR12017	2	PLUG, SEED METER
-	SN3684	4	RACE (LM603011)
-	SN7804	4	SCRAPER, LONG RIGID
-	SN10127	4	SCRAPER, OPENER LEFT
-	SN10126	4	SCRAPER, OPENER RIGHT
-	SN7803	4	SCRAPER, SHORT RIGID
-	SN8800-1	2	SEAL KIT

CONTINUED

RDL
PR: t05g30m02c0041

RECOMMENDED DEALER STOCK

RECOMMENDED DEALER'S STOCK



**9412 THREE-POINTED MOUNTED DRILL
RECOMMENDED DEALER LIST**

97

RECOMMENDED DEALER STOCK

ITEM	NUMBER	QTY	DESCRIPTION
-	SN8756-1	2	SEAL KIT, 2 1/2", 1 1/16" ROD, CROSS
-	SN8612-1	2	SEAL KIT, 4", 1 1/2" ROD, CROSS
-	SN8784-1	2	SEAL KIT, 4", 1 1/2" ROD, CROSS
-	SN7775	2	SEAL, SINGLE LIP
-	SNA0012	2	SEED METER ASSEMBLY
-	SN9937	4	SEED TUBE, ALL PURPOSE HEADS UP
-	SNDR20004	8	SEED TUBE, RUBBER
-	SNDR12016	1	SIGHT GLASS
-	SN3300	1	SIX BOLT HUB ASSEMBLY WITH 3301 SEAL
-	SN7001	1	SMV EMBLEM
-	SN9708	2	SPRING, .162" WIRE DIA X 5" L EXTENSION
-	SN9077	1	SPROCKET, 10 TOOTH, 7/8" HEX BORE
-	SN9078	1	SPROCKET, 12 TOOTH, 7/8" HEX BORE
-	SN6714	1	SPROCKET, 14 TOOTH, 1" BORE, #50 CHAIN
-	SN9079	1	SPROCKET, 24 TOOTH, 7/8" HEX BORE
-	SNDR40506	1	SPROCKET, 54 TOOTH, 1" BORE #50 CHAIN
-	SNDR80029	1	SPROCKET, IDLER
-	SN7411	1	TIRE, 2" X 13" SMOOTH CROWN CLINCH
-	SN7409	1	TIRE, 2" X 13" V-CROWN CLINCH
-	SN7410	1	TIRE, 3" X 13" CENTER RIB CLINCH
-	SN7407	1	TIRE, 3" X 13" DOUBLE RIB CLINCH
-	SN7408	1	TIRE, 4" X 12" DOUBLE RIB
-	SN3301	2	TRIPLE LIP SEAL
-	SN7070	1	U-BOLT, 1"-8 X 9" X 8 1/16" W, GR 5, Y/D
-	SNDR80019	1	U-BOLT, 3/4"-10 X 8 3/4" X 7 13/16" W,
-	SNDR11507	1	U-BOLT, 7/16"-14 X 4" X 2 1/2"W,
-	SNDR80044	1	U-BOLT, 7/8"-9 X 8 3/4" X 7 15/16" W,
-	SN776	2	WHEEL BEARING (L44643)

NOTE: THIS PARTS STOCK LIST
INDICATES THOSE ITEMS RECOMMENDED
TO SERVICE ONE UNIT.

RDL
PR: t05g30m02c0041

GRAIN DRILLS

PARTS CATALOG

SUNFLOWER[®]
9421 TWO-SECTION FOLDING DRILL

**II
INDEX**

9421 TWO-SECTION FOLDING DRILL

RECOMMENDED DEALER LIST

RECOMMENDED DEALER STOCK 113

SERVICE PARTS

ALL PURPOSE HEADS UP OPENER (YEAR 2001 & LATER DRILLS) 47
ALL PURPOSE OPENER ASSEMBLY (YEAR 2000 & EARLIER DRILLS) 41
ALL PURPOSE OPENER PRESS WHEEL ASSY (YEAR 2000 & EARLIER DRILLS) 45
CENTER LIFT SPINDLE & TIRE ASSEMBLY 31
DECAL PLACEMENT 109
DRILL SHAFT ASSEMBLY WHEN USING GRASS SEEDER 107
DUAL WHEEL WING LIFT ASSEMBLY 29
ELECTRIC CLUTCH KIT 95
ELECTRIC CLUTCH KIT ASSEMBLY 97
FOLD ARMS & CYLINDER ASSEMBLY 27
FOLD HYDRAULIC ASSEMBLY 73
FRAME ASSEMBLY 11
GAUGE WHEEL ASSEMBLY 35
GRASS SEEDER AGITATOR ASSEMBLY 105
GRASS SEEDER HOPPER ASSEMBLY (OPTIONAL) 101
GRASS SEEDER SHAFT ASSEMBLY 103
HEADS UP OPENER PRESS WHEEL ASSEMBLY (YEAR 2001 & LATER DRILLS) 51
LEFT WING LIFT HYDRAULICS 67
LIFT & MAIN FRAME ASSEMBLY 17
LIFT ASSEMBLY 19
LIGHT KIT ASSEMBLY 99
LOWER GAUGE WHEEL ASSEMBLY 37
MAIN FRAME ROW MARKER HYDRAULICS 87
MAIN LIFT HYDRAULIC ASSEMBLY 61
OPENER SHIELD ASSEMBLY 93
PRESS WHEEL & TIRE ASSEMBLY 53
ROW MARKER ASSEMBLY 83
ROW MARKER MOUNT ASSEMBLY 85
SAFETY SIGN PLACEMENT 111
SEED METER & SHAFT ASSEMBLY 15
SLIDE LOCK ROLLER ASSEMBLY 25
TONGUE ASSEMBLY 21
TONGUE HYDRAULICS 55
TRANSPORT LOCK & WING HINGES 23
TURNBUCKLE & UPPER GAUGE WHEEL DRIVE 39
WING FRAME & HOPPER ASSEMBLY 13
WING FRAME ROW MARKER HYDRAULICS 89
WING LIFT SPINDLE & TIRE ASSEMBLY 33
10' & 12 1/2' HOPPER ASSEMBLY 9
2 1/2" X 8" WHEEL LOCK CYLINDER 12051R (VERSION 2, 6/23/03 & LATER) 77
2 1/2" X 8" WHEEL LOCK CYLINDER DR55002 (VERSION 1, PRIOR TO 6/23/03) 75
3" X 20" HYDRAULIC CYLINDER 6633R (VERSION 1, PRIOR TO 8/28/03) 91
3" X 8" TONGUE CYLINDER 12049R (VERSION 2, 10/16/03 & LATER) 59
3" X 8" TONGUE CYLINDER 4446R (VERSION 1, PRIOR TO 10/16/03) 57
4 1/2" X 12" MAIN LIFT CYLINDER 12008R (VERSION 2, 7/8/03 & LATER) 71
4 1/2" X 12" MAIN LIFT CYLINDER 12010R (VERSION 2, 7/28/03 & LATER) 65
4 1/2" X 12" MAIN LIFT CYLINDER 9704R (VERSION 1, PRIOR TO 7/28/03) 63
4 1/4" X 12" WING LIFT CYLINDER 9703R (VERSION 1, PRIOR TO 7/8/03) 69
4" X 16" FOLD CYLINDER 12012R (VERSION 2, 8/22/03 & LATER) 81
4" X 16" FOLD CYLINDER 9725R (VERSION 1, PRIOR TO 8/22/03) 79
7 1/2' HOPPER ASSEMBLY 7

9421 TWO-SECTION FOLDING DRILL

III
INDEX

Part No.	Page	Grid	Part No.	Page	Grid	Part No.	Page	Grid	Part No.	Page	Grid
SNA0007	7	1-B 6	SNDR30009	107	1-B 16	SN10126	117	1-B 17	SN1507	83	1-B 14
SNA0007	9	1-B 6	SNDR30009	115	1-B 17	SN10127	49	1-B 10	SN1550	15	1-B 7
SNA0007	101	1-B 16	SNDR30022	37	1-B 9	SN10127	117	1-B 17	SN1550	107	1-B 16
SNA0012	15	1-B 7	SNDR30022	115	1-B 17	SN1021	13	1-B 7	SN156	11	1-B 7
SNA0012	117	1-B 17	SNDR40506	15	1-B 7	SN1021	45	1-B 10	SN156	39	1-B 9
SNA0119	103	1-B 16	SNDR40506	115	1-B 17	SN1021	47	1-B 10	SN156	85	1-B 14
SNBP10030	101	1-B 16	SNDR41007	37	1-B 9	SN10292	35	1-B 9	SN159	83	1-B 14
SNBP10031	101	1-B 16	SNDR41007	39	1-B 9	SN10293	35	1-B 9	SN159	103	1-B 16
SNBP10041	103	1-B 16	SNDR41008	37	1-B 9	SN10296	39	1-B 9	SN1605	31	1-B 9
SNBP10065	101	1-B 16	SNDR41008	39	1-B 9	SN10296	113	1-B 17	SN1605	33	1-B 9
SNBP10074	101	1-B 16	SNDR41506	15	1-B 7	SN10325	37	1-B 9	SN1605	113	1-B 17
SNBP10076	101	1-B 16	SNDR41506	107	1-B 16	SN10325	115	1-B 17	SN1606	31	1-B 9
SNBP10296	101	1-B 16	SNDR41509	15	1-B 7	SN10326	7	1-B 6	SN1606	33	1-B 9
SNBT10258	11	1-B 7	SNDR41509	103	1-B 16	SN10326	9	1-B 6	SN1606	113	1-B 17
SNBT10258	113	1-B 17	SNDR41509	105	1-B 16	SN10326	15	1-B 7	SN1609	83	1-B 14
SNBT10275	15	1-B 7	SNDR41509	107	1-B 16	SN10326	107	1-B 16	SN1610	31	1-B 9
SNBT10275	107	1-B 16	SNDR41517	37	1-B 9	SN10333	45	1-B 10	SN1610	33	1-B 9
SNB1120	41	1-B 10	SNDR41517	113	1-B 17	SN10333	47	1-B 10	SN1610	113	1-B 17
SNB1120	117	1-B 17	SNDR41518	37	1-B 9	SN10355	37	1-B 9	SN1611	37	1-B 9
SNB1127	41	1-B 10	SNDR41518	113	1-B 17	SN10356	37	1-B 9	SN1611	117	1-B 17
SNB1127	49	1-B 10	SNDR55002	19	1-B 7	SN10357	37	1-B 9	SN175	41	1-B 10
SNB1127	117	1-B 17	SNDR55002	75	1-B 13	SN10358	37	1-B 9	SN175	53	1-B 11
SNB1142	103	1-B 16	SNDR56006	87	1-B 14	SN10359	37	1-B 9	SN175	101	1-B 16
SNB1540	15	1-B 7	SNDR56006	115	1-B 17	SN1040	17	1-B 7	SN176	61	1-B 12
SNB1540	107	1-B 16	SNDR80011	41	1-B 10	SN10463	49	1-B 10	SN176	67	1-B 12
SNB1540	113	1-B 17	SNDR80011	49	1-B 10	SN10479	49	1-B 10	SN176	73	1-B 13
SNB1598	15	1-B 7	SNDR80011	115	1-B 17	SN10542	49	1-B 10	SN176	87	1-B 14
SNB1598	107	1-B 16	SNDR80029	37	1-B 9	SN106	13	1-B 7	SN176	89	1-B 14
SNB1599	15	1-B 7	SNDR80029	39	1-B 9	SN106	17	1-B 7	SN177	7	1-B 6
SNB1599	107	1-B 16	SNDR80029	115	1-B 17	SN108	19	1-B 7	SN177	9	1-B 6
SNB2610	39	1-B 9	SNDR80044	85	1-B 14	SN110	29	1-B 8	SN177	15	1-B 7
SNB2620	15	1-B 7	SNDR80044	117	1-B 17	SN110	35	1-B 9	SN177	73	1-B 13
SNB2620	107	1-B 16	SNDR81044	41	1-B 10	SN112	37	1-B 9	SN177	103	1-B 16
SNB4103	39	1-B 9	SNDR81044	49	1-B 10	SN113	37	1-B 9	SN177	107	1-B 16
SNB5000	41	1-B 10	SNFK150025	23	1-B 8	SN113	83	1-B 14	SN178	11	1-B 7
SNB5000	117	1-B 17	SNFK150074	29	1-B 8	SN114	37	1-B 9	SN178	39	1-B 9
SNCS516114	21	1-B 8	SNFK150083	19	1-B 7	SN114	83	1-B 14	SN178	93	1-B 15
SNDR10013	39	1-B 9	SNFK150144	13	1-B 7	SN1193	41	1-B 10	SN178	101	1-B 16
SNDR10025	7	1-B 6	SNFK150144	21	1-B 8	SN1193	47	1-B 10	SN1823	37	1-B 9
SNDR10025	9	1-B 6	SNFK150144	27	1-B 8	SN12008	29	1-B 8	SN1823	99	1-B 15
SNDR10025	103	1-B 16	SNFK150157	13	1-B 7	SN12008	71	1-B 13	SN1849	19	1-B 7
SNDR10026	15	1-B 7	SNFK150157	21	1-B 8	SN12009	65	1-B 12	SN1935	33	1-B 9
SNDR10026	107	1-B 16	SNFK150157	27	1-B 8	SN12010	17	1-B 7	SN1936	33	1-B 9
SNDR10506	15	1-B 7	SNFK150172	25	1-B 8	SN12010	61	1-B 12	SN1937	33	1-B 9
SNDR10506	103	1-B 16	SNFK150172	39	1-B 9	SN12010	65	1-B 12	SN1978	29	1-B 8
SNDR10506	107	1-B 16	SNFK150172	85	1-B 14	SN12011	81	1-B 14	SN2045	13	1-B 7
SNDR10508	41	1-B 10	SNFK150189	103	1-B 16	SN12012	27	1-B 8	SN2045	21	1-B 8
SNDR10508	115	1-B 17	SNFK150219	21	1-B 8	SN12012	81	1-B 14	SN2045	37	1-B 9
SNDR10524	11	1-B 7	SNFK150221	101	1-B 16	SN12024	89	1-B 14	SN2045	39	1-B 9
SNDR11502	11	1-B 7	SNFK150272	21	1-B 8	SN12049	55	1-B 11	SN2045	83	1-B 14
SNDR11502	117	1-B 17	SNFK150272	27	1-B 8	SN12049	59	1-B 11	SN2045	117	1-B 17
SNDR11507	11	1-B 7	SNFK150274	25	1-B 8	SN12051	19	1-B 7	SN2072	19	1-B 7
SNDR11507	117	1-B 17	SNFK150283	41	1-B 10	SN12051	77	1-B 13	SN2072	117	1-B 17
SNDR12003	103	1-B 16	SNFK150283	47	1-B 10	SN12056	59	1-B 11	SN2085	29	1-B 8
SNDR12006	103	1-B 16	SNHEN3410	25	1-B 8	SN12057	59	1-B 11	SN2089	35	1-B 9
SNDR12011	41	1-B 10	SNHEN3410	39	1-B 9	SN12058	59	1-B 11	SN2090	13	1-B 7
SNDR12011	47	1-B 10	SNHEN3410	45	1-B 10	SN12188	17	1-B 7	SN2096	11	1-B 7
SNDR12011	117	1-B 17	SNHEN3410	47	1-B 10	SN12188	29	1-B 8	SN2098-1	19	1-B 7
SNDR12016	7	1-B 6	SNYYC-021	19	1-B 7	SN1220	17	1-B 7	SN2098-6	23	1-B 8
SNDR12016	9	1-B 6	SN10032	89	1-B 14	SN1220	43	1-B 10	SN2148	25	1-B 8
SNDR12016	113	1-B 17	SN10050	97	1-B 15	SN1220	49	1-B 10	SN2154	39	1-B 9
SNDR12017	15	1-B 7	SN10050	113	1-B 17	SN12348	49	1-B 10	SN2355	17	1-B 7
SNDR12017	107	1-B 16	SN10051	97	1-B 15	SN1243	15	1-B 7	SN2355	115	1-B 17
SNDR12017	117	1-B 17	SN10051	113	1-B 17	SN1243	23	1-B 8	SN2378	21	1-B 8
SNDR12034	101	1-B 16	SN10052	97	1-B 15	SN1243	85	1-B 14	SN2425	73	1-B 13
SNDR12046	7	1-B 6	SN10053	97	1-B 15	SN1243	107	1-B 16	SN2426	61	1-B 12
SNDR12046	9	1-B 6	SN10053	117	1-B 17	SN1283	19	1-B 7	SN2429	73	1-B 13
SNDR20004	41	1-B 10	SN10054	97	1-B 15	SN1283	29	1-B 8	SN2485	39	1-B 9
SNDR20004	47	1-B 10	SN10055	95	1-B 15	SN1283	35	1-B 9	SN2486	105	1-B 16
SNDR20004	117	1-B 17	SN10055	97	1-B 15	SN1298	35	1-B 9	SN2487	39	1-B 9
SNDR20005	103	1-B 16	SN10055	113	1-B 17	SN1300	21	1-B 8	SN2487	45	1-B 10
SNDR30005	41	1-B 10	SN10056	95	1-B 15	SN1300	27	1-B 8	SN2487	47	1-B 10
SNDR30009	15	1-B 7	SN10056	97	1-B 15	SN1345	39	1-B 9	SN2487	53	1-B 11
SNDR30009	103	1-B 16	SN10056	113	1-B 17	SN140	85	1-B 14	SN2487	61	1-B 12
SNDR30009	105	1-B 16	SN10126	49	1-B 10	SN1507	11	1-B 7	SN2487	73	1-B 13

**IV
INDEX**

9421 TWO-SECTION FOLDING DRILL

Part No.	Page	Grid	Part No.	Page	Grid	Part No.	Page	Grid	Part No.	Page	Grid
SN2487	83	1-B 14	SN3567	55	1-B 11	SN4219011	87	1-B 14	SN5339	55	1-B 11
SN2557	45	1-B 10	SN3567	83	1-B 14	SN4219011	89	1-B 14	SN5339	89	1-B 14
SN2557	51	1-B 11	SN3567	87	1-B 14	SN4244005	61	1-B 12	SN5341	27	1-B 8
SN2561	21	1-B 8	SN3567	93	1-B 15	SN4244005	67	1-B 12	SN5731	85	1-B 14
SN2561	27	1-B 8	SN3567	101	1-B 16	SN4248011	87	1-B 14	SN5731	117	1-B 17
SN2566	7	1-B 6	SN3577	31	1-B 9	SN4248011	89	1-B 14	SN5732	85	1-B 14
SN2566	9	1-B 6	SN3577	33	1-B 9	SN4260002	73	1-B 13	SN5732	117	1-B 17
SN2566	11	1-B 7	SN3577	37	1-B 9	SN4270005	61	1-B 12	SN5815	73	1-B 13
SN2569	31	1-B 9	SN3578	33	1-B 9	SN4270005	67	1-B 12	SN5838	99	1-B 15
SN2585	33	1-B 9	SN3578	37	1-B 9	SN4270011	87	1-B 14	SN5844	99	1-B 15
SN2587	99	1-B 15	SN3581	31	1-B 9	SN4294005	61	1-B 12	SN5844	113	1-B 17
SN2750	7	1-B 6	SN3683	31	1-B 9	SN4294005	67	1-B 12	SN5845	99	1-B 15
SN2750	9	1-B 6	SN3683	113	1-B 17	SN4325005	61	1-B 12	SN5845	113	1-B 17
SN2750	99	1-B 15	SN3684	31	1-B 9	SN4325005	67	1-B 12	SN5846	99	1-B 15
SN302	31	1-B 9	SN3684	113	1-B 17	SN4446R	55	1-B 11	SN5846	113	1-B 17
SN302	33	1-B 9	SN3685	31	1-B 9	SN4446R	57	1-B 11	SN5847	99	1-B 15
SN303	31	1-B 9	SN3686	31	1-B 9	SN4454	73	1-B 13	SN5847	113	1-B 17
SN303	33	1-B 9	SN3686	113	1-B 17	SN4457	61	1-B 12	SN5848	99	1-B 15
SN3051	27	1-B 8	SN3687	31	1-B 9	SN4457	67	1-B 12	SN5848	113	1-B 17
SN3066	31	1-B 9	SN3687	113	1-B 17	SN4458	57	1-B 11	SN5849	99	1-B 15
SN3066	33	1-B 9	SN3688Y	31	1-B 9	SN4458	59	1-B 11	SN5849	113	1-B 17
SN3095	19	1-B 7	SN3722	41	1-B 10	SN4458	63	1-B 12	SN5857	99	1-B 15
SN3117	31	1-B 9	SN3722	103	1-B 16	SN4458	65	1-B 12	SN5934	45	1-B 10
SN3117	33	1-B 9	SN3722	105	1-B 16	SN4458	69	1-B 12	SN5934	47	1-B 10
SN3117	117	1-B 17	SN3723	21	1-B 8	SN4458	71	1-B 13	SN5934	117	1-B 17
SN3118	31	1-B 9	SN3723	73	1-B 13	SN4458	75	1-B 13	SN5935	41	1-B 10
SN3118	33	1-B 9	SN3724	21	1-B 8	SN4458	77	1-B 13	SN5935	49	1-B 10
SN3118	117	1-B 17	SN3750	11	1-B 7	SN4458	79	1-B 13	SN5935	117	1-B 17
SN3164	17	1-B 7	SN3765	11	1-B 7	SN4458	81	1-B 14	SN6177	55	1-B 11
SN3164	19	1-B 7	SN3806	23	1-B 8	SN4458	91	1-B 15	SN6177	87	1-B 14
SN3164	25	1-B 8	SN3806	45	1-B 10	SN4460	61	1-B 12	SN6301R	17	1-B 7
SN3164	27	1-B 8	SN3806	49	1-B 10	SN4463	73	1-B 13	SN6376	15	1-B 7
SN3164	29	1-B 8	SN3881	7	1-B 6	SN4466	73	1-B 13	SN6376	35	1-B 9
SN3164	55	1-B 11	SN3881	9	1-B 6	SN4472	73	1-B 13	SN6376	41	1-B 10
SN3164	85	1-B 14	SN3881	15	1-B 7	SN4482	73	1-B 13	SN6376	49	1-B 10
SN3164	89	1-B 14	SN3881	45	1-B 10	SN4550	73	1-B 13	SN6376	103	1-B 16
SN317	11	1-B 7	SN3881	47	1-B 10	SN4623	29	1-B 8	SN6376	105	1-B 16
SN317	13	1-B 7	SN3881	53	1-B 11	SN4738	11	1-B 7	SN6376	107	1-B 16
SN317	15	1-B 7	SN3881	99	1-B 15	SN4738	17	1-B 7	SN6377	15	1-B 7
SN317	19	1-B 7	SN3881	103	1-B 16	SN474	55	1-B 11	SN6377	39	1-B 9
SN317	49	1-B 10	SN3881	105	1-B 16	SN474	87	1-B 14	SN6377	41	1-B 10
SN317	87	1-B 14	SN3881	107	1-B 16	SN4753	13	1-B 7	SN6377	103	1-B 16
SN317	101	1-B 16	SN396	85	1-B 14	SN4781	21	1-B 8	SN6377	105	1-B 16
SN317	103	1-B 16	SN397	85	1-B 14	SN4843	11	1-B 7	SN6377	107	1-B 16
SN317	107	1-B 16	SN3984	13	1-B 7	SN4843	117	1-B 17	SN6378	15	1-B 7
SN3253	55	1-B 11	SN3984	61	1-B 12	SN4844	39	1-B 9	SN6378	35	1-B 9
SN3253	61	1-B 12	SN3984	67	1-B 12	SN486	11	1-B 7	SN6378	39	1-B 9
SN3253	73	1-B 13	SN3984	87	1-B 14	SN486	13	1-B 7	SN6378	41	1-B 10
SN3253	87	1-B 14	SN3984	89	1-B 14	SN486	21	1-B 8	SN6378	49	1-B 10
SN3298	33	1-B 9	SN3984	103	1-B 16	SN486	83	1-B 14	SN6378	103	1-B 16
SN3300	33	1-B 9	SN3989	19	1-B 7	SN486	85	1-B 14	SN6378	105	1-B 16
SN3301	31	1-B 9	SN3989	113	1-B 17	SN4914	21	1-B 8	SN6378	107	1-B 16
SN3301	33	1-B 9	SN4014002	73	1-B 13	SN4915	21	1-B 8	SN6425	17	1-B 7
SN3301	115	1-B 17	SN4024011	55	1-B 11	SN4944	23	1-B 8	SN6436	7	1-B 6
SN3302	31	1-B 9	SN4028002	73	1-B 13	SN4944	115	1-B 17	SN6436	9	1-B 6
SN3302	33	1-B 9	SN4034002	73	1-B 13	SN506	7	1-B 6	SN6440	45	1-B 10
SN3302	113	1-B 17	SN4034011	55	1-B 11	SN506	9	1-B 6	SN6440	47	1-B 10
SN3303	31	1-B 9	SN4040002	73	1-B 13	SN506	103	1-B 16	SN6478	17	1-B 7
SN3303	33	1-B 9	SN4050003	73	1-B 13	SN5094	33	1-B 9	SN6514	41	1-B 10
SN3303	83	1-B 14	SN4050012	87	1-B 14	SN5137	23	1-B 8	SN6514	115	1-B 17
SN3303	115	1-B 17	SN4055002	73	1-B 13	SN5151	33	1-B 9	SN6569	103	1-B 16
SN3565	7	1-B 6	SN4062002	73	1-B 13	SN5151	37	1-B 9	SN6581	15	1-B 7
SN3565	9	1-B 6	SN4104002	73	1-B 13	SN5201	55	1-B 11	SN6581	107	1-B 16
SN3565	61	1-B 12	SN4104011	55	1-B 11	SN5201	89	1-B 14	SN6581	117	1-B 17
SN3566	11	1-B 7	SN4120005	61	1-B 12	SN5228	31	1-B 9	SN6618	41	1-B 10
SN3566	41	1-B 10	SN4178005	61	1-B 12	SN5275	55	1-B 11	SN6618	47	1-B 10
SN3567	11	1-B 7	SN4178005	67	1-B 12	SN5290	11	1-B 7	SN6619	41	1-B 10
SN3567	13	1-B 7	SN4187011	87	1-B 14	SN5302	61	1-B 12	SN6619	47	1-B 10
SN3567	17	1-B 7	SN4187011	89	1-B 14	SN5302	67	1-B 12	SN6633	89	1-B 14
SN3567	19	1-B 7	SN4195011	87	1-B 14	SN5302	73	1-B 13	SN6633	91	1-B 15
SN3567	23	1-B 8	SN4195011	89	1-B 14	SN5302	87	1-B 14	SN6673	11	1-B 7
SN3567	39	1-B 9	SN4214005	61	1-B 12	SN5302	89	1-B 14	SN6675	11	1-B 7
SN3567	43	1-B 10	SN4214005	67	1-B 12	SN5339	17	1-B 7	SN6675	113	1-B 17
SN3567	45	1-B 10	SN4215011	87	1-B 14	SN5339	19	1-B 7	SN6682	93	1-B 15
SN3567	47	1-B 10	SN4215011	89	1-B 14	SN5339	29	1-B 8	SN669-1	13	1-B 7

9421 TWO-SECTION FOLDING DRILL

V
INDEX

Part No.	Page	Grid	Part No.	Page	Grid	Part No.	Page	Grid	Part No.	Page	Grid
SN669-1	23	1-B 8	SN7033B	41	1-B 10	SN7519	39	1-B 9	SN8680-10	77	1-B 13
SN669-1	25	1-B 8	SN7033B	47	1-B 10	SN7638R	39	1-B 9	SN8681-1	57	1-B 11
SN669-1	35	1-B 9	SN7034B	41	1-B 10	SN776	83	1-B 14	SN8681-1	59	1-B 11
SN669-1	41	1-B 10	SN7034B	47	1-B 10	SN776	113	1-B 17	SN8681-1	75	1-B 13
SN669-1	47	1-B 10	SN7038	41	1-B 10	SN777	83	1-B 14	SN8681-1	77	1-B 13
SN669-1	51	1-B 11	SN7040	45	1-B 10	SN777	113	1-B 17	SN8681-1	79	1-B 13
SN6694	103	1-B 16	SN7040	47	1-B 10	SN7773	83	1-B 14	SN8681-1	81	1-B 14
SN6695	103	1-B 16	SN7041	45	1-B 10	SN7773	113	1-B 17	SN8681-1	91	1-B 15
SN6696	105	1-B 16	SN7041	47	1-B 10	SN7775	83	1-B 14	SN8682-1	81	1-B 14
SN6697	105	1-B 16	SN7042	45	1-B 10	SN7775	113	1-B 17	SN8683-1	69	1-B 12
SN6698	105	1-B 16	SN7042	47	1-B 10	SN7778	83	1-B 14	SN8683-1	71	1-B 13
SN6699	105	1-B 16	SN7043	45	1-B 10	SN7778	113	1-B 17	SN8685-1	63	1-B 12
SN670	35	1-B 9	SN7043	117	1-B 17	SN7779	83	1-B 14	SN8685-1	65	1-B 12
SN6700	105	1-B 16	SN7043B	47	1-B 10	SN7779	113	1-B 17	SN8689-1	75	1-B 13
SN6701	105	1-B 16	SN7044	47	1-B 10	SN7780	83	1-B 14	SN8690-10	75	1-B 13
SN6702	105	1-B 16	SN7068	11	1-B 7	SN7780	113	1-B 17	SN8692-10	79	1-B 13
SN6703	105	1-B 16	SN7069	11	1-B 7	SN7781	83	1-B 14	SN8695-1	69	1-B 12
SN6704	107	1-B 16	SN7070	35	1-B 9	SN7781	113	1-B 17	SN8701-10	91	1-B 15
SN6707	107	1-B 16	SN7070	117	1-B 17	SN7782	83	1-B 14	SN8711-1	57	1-B 11
SN6709	105	1-B 16	SN7077	87	1-B 14	SN7784	37	1-B 9	SN8711-1	91	1-B 15
SN6710	103	1-B 16	SN7083	45	1-B 10	SN7784	117	1-B 17	SN8713-1	79	1-B 13
SN6711	103	1-B 16	SN7083	47	1-B 10	SN779	23	1-B 8	SN8714-1	77	1-B 13
SN6711	107	1-B 16	SN7083	117	1-B 17	SN7803	41	1-B 10	SN8719-10	57	1-B 11
SN6713	103	1-B 16	SN7084	45	1-B 10	SN7803	117	1-B 17	SN8720-1	63	1-B 12
SN6714	105	1-B 16	SN7084	47	1-B 10	SN7804	41	1-B 10	SN8721-10	75	1-B 13
SN6737	55	1-B 11	SN7085	45	1-B 10	SN7804	117	1-B 17	SN8722-10	91	1-B 15
SN6737	115	1-B 17	SN7085	47	1-B 10	SN7825	83	1-B 14	SN8730-10	63	1-B 12
SN6779	25	1-B 8	SN71L-2701	11	1-B 7	SN7825	113	1-B 17	SN8731-10	77	1-B 13
SN6782	25	1-B 8	SN7176	41	1-B 10	SN7858	21	1-B 8	SN8741-10	69	1-B 12
SN6785	27	1-B 8	SN7179	11	1-B 7	SN7859	41	1-B 10	SN8741-10	71	1-B 13
SN6795	11	1-B 7	SN7201	41	1-B 10	SN7859	49	1-B 10	SN8744-10	79	1-B 13
SN6799	25	1-B 8	SN7201	49	1-B 10	SN7859	117	1-B 17	SN8756-1	77	1-B 13
SN6800	25	1-B 8	SN7201	117	1-B 17	SN7952	103	1-B 16	SN8756-1	117	1-B 17
SN6866	45	1-B 10	SN7202	41	1-B 10	SN7953	103	1-B 16	SN8762-1	57	1-B 11
SN6866	51	1-B 11	SN7203	41	1-B 10	SN7954	103	1-B 16	SN8762-1	91	1-B 15
SN6867	45	1-B 10	SN7203	49	1-B 10	SN7955R	103	1-B 16	SN8762-1	117	1-B 17
SN6867	51	1-B 11	SN7204	43	1-B 10	SN7956	101	1-B 16	SN8780-1	69	1-B 12
SN6868	45	1-B 10	SN7204	49	1-B 10	SN7957	103	1-B 16	SN8780-1	71	1-B 13
SN6868	51	1-B 11	SN7205	41	1-B 10	SN7958	103	1-B 16	SN8780-1	117	1-B 17
SN6869	45	1-B 10	SN7205	49	1-B 10	SN8273-1	81	1-B 14	SN8789-1	79	1-B 13
SN6869	51	1-B 11	SN7218	45	1-B 10	SN840	43	1-B 10	SN8789-1	117	1-B 17
SN6934	73	1-B 13	SN7218	51	1-B 11	SN840	49	1-B 10	SN8793-1	63	1-B 12
SN6934	115	1-B 17	SN7218	53	1-B 11	SN8610-1	69	1-B 12	SN8793-1	65	1-B 12
SN6935	55	1-B 11	SN7219	11	1-B 7	SN8610-1	91	1-B 15	SN8799-1	63	1-B 12
SN6935	73	1-B 13	SN7221	93	1-B 15	SN8612-1	81	1-B 14	SN8799-1	117	1-B 17
SN6935	87	1-B 14	SN7222	93	1-B 15	SN8612-1	117	1-B 17	SN8800-1	75	1-B 13
SN6935	89	1-B 14	SN7223	93	1-B 15	SN8615-1	57	1-B 11	SN8800-1	117	1-B 17
SN6940	11	1-B 7	SN7224	93	1-B 15	SN8615-1	59	1-B 11	SN8806-1	91	1-B 15
SN6955	11	1-B 7	SN7228	93	1-B 15	SN8617-1	63	1-B 12	SN8809-1	75	1-B 13
SN6958R	11	1-B 7	SN7229	93	1-B 15	SN8618-1	79	1-B 13	SN8809-1	77	1-B 13
SN6959R	11	1-B 7	SN7261	41	1-B 10	SN8618-1	81	1-B 14	SN8810-1	69	1-B 12
SN699-1	45	1-B 10	SN7266	49	1-B 10	SN8629-1	75	1-B 13	SN8810-1	71	1-B 13
SN6991	55	1-B 11	SN7271	41	1-B 10	SN8629-1	77	1-B 13	SN8816-1	57	1-B 11
SN7001	7	1-B 6	SN7272	41	1-B 10	SN8631-1	57	1-B 11	SN8833-1	79	1-B 13
SN7001	9	1-B 6	SN7375	45	1-B 10	SN8631-1	59	1-B 11	SN8833-1	81	1-B 14
SN7001	11	1-B 7	SN7375	51	1-B 11	SN8631-1	63	1-B 12	SN8846-1	57	1-B 11
SN7001	113	1-B 17	SN7384	45	1-B 10	SN8631-1	69	1-B 12	SN8854-1	79	1-B 13
SN7024	41	1-B 10	SN7384	49	1-B 10	SN8631-1	75	1-B 13	SN8864-1	75	1-B 13
SN7024	47	1-B 10	SN7407	53	1-B 11	SN8631-1	77	1-B 13	SN8864-1	77	1-B 13
SN7024	117	1-B 17	SN7407	117	1-B 17	SN8631-1	79	1-B 13	SN8864-1	79	1-B 13
SN7026	43	1-B 10	SN7408	53	1-B 11	SN8631-1	81	1-B 14	SN8864-1	81	1-B 14
SN7026	49	1-B 10	SN7408	117	1-B 17	SN8631-1	91	1-B 15	SN8865-1	63	1-B 12
SN7026	117	1-B 17	SN7409	53	1-B 11	SN8671-1	57	1-B 11	SN8865-1	65	1-B 12
SN7027	43	1-B 10	SN7409	117	1-B 17	SN8671-1	59	1-B 11	SN8865-1	69	1-B 12
SN7027	49	1-B 10	SN7410	53	1-B 11	SN8671-1	63	1-B 12	SN8865-1	71	1-B 13
SN7028	43	1-B 10	SN7410	117	1-B 17	SN8671-1	69	1-B 12	SN8866-1	57	1-B 11
SN7028	49	1-B 10	SN7411	53	1-B 11	SN8671-1	75	1-B 13	SN8866-1	59	1-B 11
SN7029	41	1-B 10	SN7411	117	1-B 17	SN8671-1	77	1-B 13	SN8866-1	91	1-B 15
SN7029	49	1-B 10	SN7412	53	1-B 11	SN8671-1	79	1-B 13	SN8870-1	75	1-B 13
SN7029	117	1-B 17	SN7413	53	1-B 11	SN8671-1	81	1-B 14	SN8870-1	77	1-B 13
SN7030	49	1-B 10	SN7415	53	1-B 11	SN8671-1	91	1-B 15	SN8872-1	91	1-B 15
SN7030B	43	1-B 10	SN7416	53	1-B 11	SN8675-10	69	1-B 12	SN8874-1	63	1-B 12
SN7031	43	1-B 10	SN7459	105	1-B 16	SN8675-10	71	1-B 13	SN8874-1	65	1-B 12
SN7032	41	1-B 10	SN7517	39	1-B 9	SN8679-10	63	1-B 12	SN8874-1	69	1-B 12
SN7032	47	1-B 10	SN7518	39	1-B 9	SN8679-10	65	1-B 12	SN8874-1	71	1-B 13

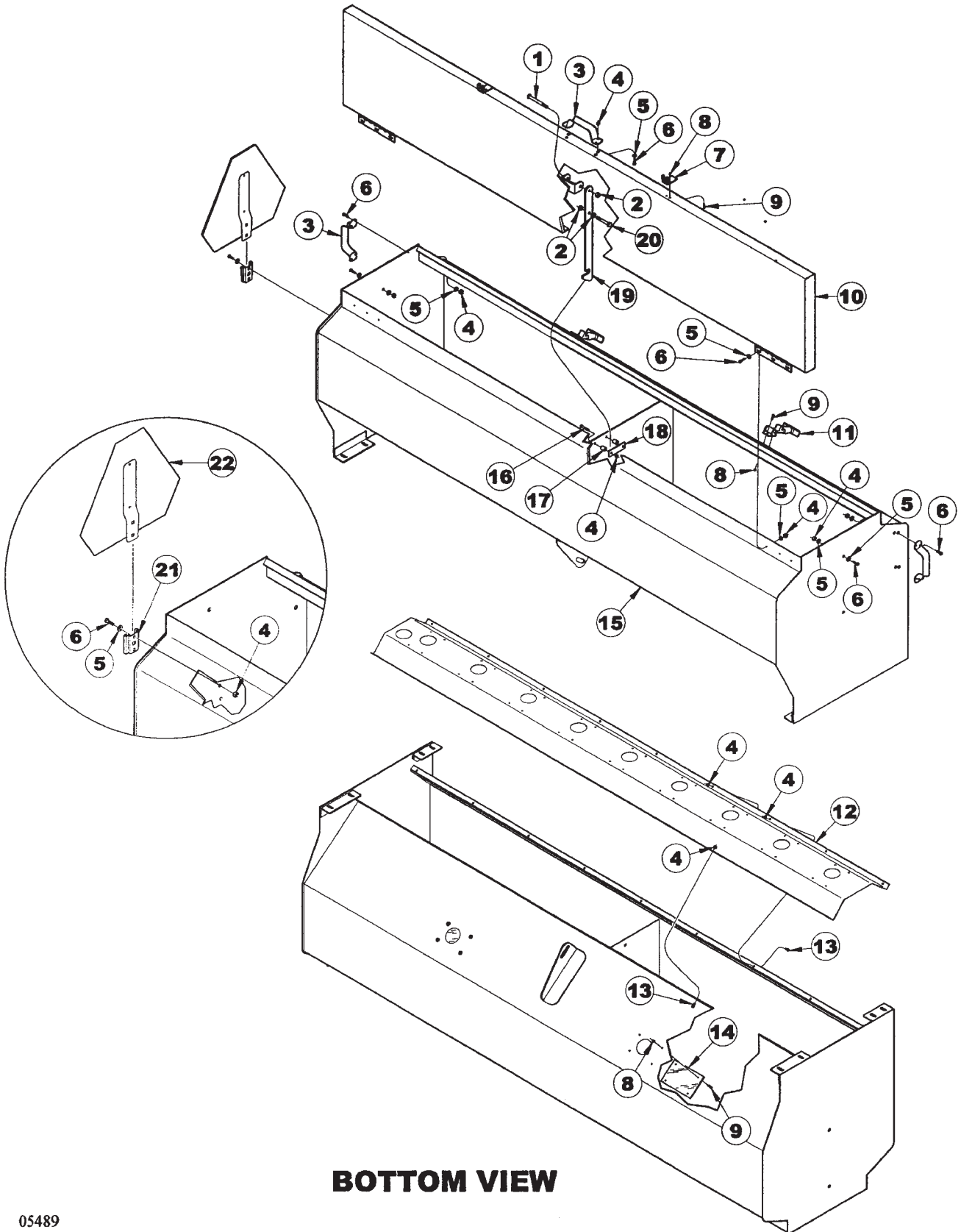
VI
INDEX

9421 TWO-SECTION FOLDING DRILL

Part No.	Page	Grid	Part No.	Page	Grid	Part No.	Page	Grid	Part No.	Page	Grid
SN8877-1	79	1-B 13	SN9136	115	1-B 17	SN9683	37	1-B 9	SN9937	47	1-B 10
SN8878-1	91	1-B 15	SN9137	35	1-B 9	SN9683	41	1-B 10	SN9937	117	1-B 17
SN8879-1	75	1-B 13	SN9146	35	1-B 9	SN9683	45	1-B 10	SN9937	117	1-B 17
SN8879-1	77	1-B 13	SN9148	39	1-B 9	SN9683	47	1-B 10	SN9939	37	1-B 9
SN8881-1	57	1-B 11	SN9150	39	1-B 9	SN9703	29	1-B 8	SN997002	109	1-B 16
SN8893-1	69	1-B 12	SN9160	37	1-B 9	SN9703	69	1-B 12	SN997040	111	1-B 17
SN8893-1	71	1-B 13	SN9161	39	1-B 9	SN9704	17	1-B 7	SN997041	111	1-B 17
SN8903-1	63	1-B 12	SN9163	39	1-B 9	SN9704	61	1-B 12	SN997043	111	1-B 17
SN8903-1	65	1-B 12	SN9164	39	1-B 9	SN9704	63	1-B 12	SN997048	111	1-B 17
SN893	41	1-B 10	SN9165	37	1-B 9	SN9706	27	1-B 8	SN997052	63	1-B 12
SN893	117	1-B 17	SN9166R	39	1-B 9	SN9708	45	1-B 10	SN997052	65	1-B 12
SN8931-10	59	1-B 11	SN9167R	39	1-B 9	SN9708	49	1-B 10	SN997052	69	1-B 12
SN8937-1	59	1-B 11	SN9177	37	1-B 9	SN9708	117	1-B 17	SN997052	71	1-B 13
SN8938-10	59	1-B 11	SN9178	37	1-B 9	SN9725	27	1-B 8	SN997074	111	1-B 17
SN8939-1	59	1-B 11	SN9179	7	1-B 6	SN9725	79	1-B 13	SN997246	109	1-B 16
SN8939-1	117	1-B 17	SN9179	9	1-B 6	SN9726	27	1-B 8	SN997309	57	1-B 11
SN8951-1	65	1-B 12	SN9180	7	1-B 6	SN9727	25	1-B 8	SN997309	59	1-B 11
SN8951-1	117	1-B 17	SN9180	9	1-B 6	SN9728	25	1-B 8	SN997309	63	1-B 12
SN8953-1	65	1-B 12	SN9181	7	1-B 6	SN9729	25	1-B 8	SN997309	65	1-B 12
SN8956-10	65	1-B 12	SN9181	9	1-B 6	SN9730	25	1-B 8	SN997309	71	1-B 13
SN8958-1	71	1-B 13	SN9182	9	1-B 6	SN9731	25	1-B 8	SN997309	79	1-B 13
SN8961-1	65	1-B 12	SN9183R	9	1-B 6	SN9732	25	1-B 8	SN997309	81	1-B 14
SN8961-1	71	1-B 13	SN9185	7	1-B 6	SN9733	25	1-B 8	SN997311	111	1-B 17
SN8963-1	65	1-B 12	SN9186	9	1-B 6	SN9734	17	1-B 7	SN997318	111	1-B 17
SN8963-1	71	1-B 13	SN9188	15	1-B 7	SN9735	13	1-B 7	SN997319	111	1-B 17
SN8968-1	71	1-B 13	SN9188	107	1-B 16	SN9744	21	1-B 8	SN997320	111	1-B 17
SN8970-1	81	1-B 14	SN9189	15	1-B 7	SN9745	19	1-B 7	SN997321	111	1-B 17
SN8971-10	81	1-B 14	SN9189	107	1-B 16	SN9746	11	1-B 7	SN997322	111	1-B 17
SN9029	35	1-B 9	SN9261	17	1-B 7	SN9747	11	1-B 7	SN997323	111	1-B 17
SN9045	7	1-B 6	SN9271	21	1-B 8	SN9748	23	1-B 8	SN997324	111	1-B 17
SN9045	9	1-B 6	SN9323	19	1-B 7	SN9750	23	1-B 8	SN997325	111	1-B 17
SN9049	7	1-B 6	SN9325	29	1-B 8	SN9751	29	1-B 8	SN997326	109	1-B 16
SN9051	7	1-B 6	SN9326	29	1-B 8	SN9753	49	1-B 10	SN997327	109	1-B 16
SN9052	9	1-B 6	SN9338R	9	1-B 6	SN9754	29	1-B 8	SN997339	111	1-B 17
SN9054	9	1-B 6	SN9339R	9	1-B 6	SN9755	29	1-B 8	SN997340	111	1-B 17
SN9076	7	1-B 6	SN9349R	9	1-B 6	SN9756	23	1-B 8	SN997407	51	1-B 11
SN9076	9	1-B 6	SN9364	13	1-B 7	SN9757	23	1-B 8	SN997407	109	1-B 16
SN9076	15	1-B 7	SN9364	23	1-B 8	SN9758	21	1-B 8	SN997426	109	1-B 16
SN9076	107	1-B 16	SN9388	23	1-B 8	SN9759	21	1-B 8	SN997459	109	1-B 16
SN9078	35	1-B 9	SN9388	115	1-B 17	SN9760R	7	1-B 6	SN997701	109	1-B 16
SN9078	39	1-B 9	SN9389	23	1-B 8	SN9761	13	1-B 7	SN997705	109	1-B 16
SN9078	115	1-B 17	SN9393	15	1-B 7	SN9764	83	1-B 14	SN997707	109	1-B 16
SN9079	35	1-B 9	SN9393	107	1-B 16	SN9765	13	1-B 7	SN997708	109	1-B 16
SN9079	37	1-B 9	SN9394	15	1-B 7	SN9766	19	1-B 7			
SN9079	39	1-B 9	SN9394	107	1-B 16	SN9769	21	1-B 8			
SN9079	95	1-B 15	SN9397	13	1-B 7	SN9770	11	1-B 7			
SN9079	115	1-B 17	SN9406	39	1-B 9	SN9771	11	1-B 7			
SN9080	37	1-B 9	SN9407	39	1-B 9	SN9772	11	1-B 7			
SN9080	115	1-B 17	SN9410	99	1-B 15	SN9773	11	1-B 7			
SN9081	35	1-B 9	SN9413	39	1-B 9	SN9774	9	1-B 6			
SN9081	39	1-B 9	SN9414	39	1-B 9	SN9775	9	1-B 6			
SN9081	115	1-B 17	SN9414	107	1-B 16	SN9780	49	1-B 10			
SN9082	39	1-B 9	SN9419	11	1-B 7	SN9782R	21	1-B 8			
SN9083	35	1-B 9	SN9420	11	1-B 7	SN9783	21	1-B 8			
SN9083	37	1-B 9	SN9421	37	1-B 9	SN9784	93	1-B 15			
SN9083	39	1-B 9	SN9421	113	1-B 17	SN9785	15	1-B 7			
SN9083	95	1-B 15	SN9433	15	1-B 7	SN9786	15	1-B 7			
SN9083	117	1-B 17	SN9433	107	1-B 16	SN9869	85	1-B 14			
SN9101	45	1-B 10	SN9436	85	1-B 14	SN9870	85	1-B 14			
SN9101	47	1-B 10	SN9437	85	1-B 14	SN9874	97	1-B 15			
SN9102	47	1-B 10	SN9438	85	1-B 14	SN9874	113	1-B 17			
SN9102B	45	1-B 10	SN9439	85	1-B 14	SN9875	97	1-B 15			
SN9102B	117	1-B 17	SN9440	85	1-B 14	SN9875	113	1-B 17			
SN9105	43	1-B 10	SN9441R	85	1-B 14	SN9879	49	1-B 10			
SN9105	45	1-B 10	SN9442R	83	1-B 14	SN9880	49	1-B 10			
SN9106	43	1-B 10	SN9443R	83	1-B 14	SN9881	37	1-B 9			
SN9106	45	1-B 10	SN9464	19	1-B 7	SN9882	37	1-B 9			
SN9109	53	1-B 11	SN9465	19	1-B 7	SN9883	37	1-B 9			
SN9111	37	1-B 9	SN9466R	85	1-B 14	SN9884	37	1-B 9			
SN9112	37	1-B 9	SN9470	83	1-B 14	SN9886	37	1-B 9			
SN9129	35	1-B 9	SN9680	41	1-B 10	SN9887	37	1-B 9			
SN9130	35	1-B 9	SN9680	47	1-B 10	SN9930R	101	1-B 16			
SN9132	35	1-B 9	SN9682	41	1-B 10	SN9931R	101	1-B 16			
SN9133	35	1-B 9	SN9682	45	1-B 10	SN9932R	105	1-B 16			
SN9136	37	1-B 9	SN9682	47	1-B 10	SN9934	103	1-B 16			

9421 TWO SECTION FOLDING DRILL
SERVICE PARTS

7 1/2' HOPPER ASSEMBLY



9421 TWO SECTION FOLDING DRILL
SERVICE PARTS

7

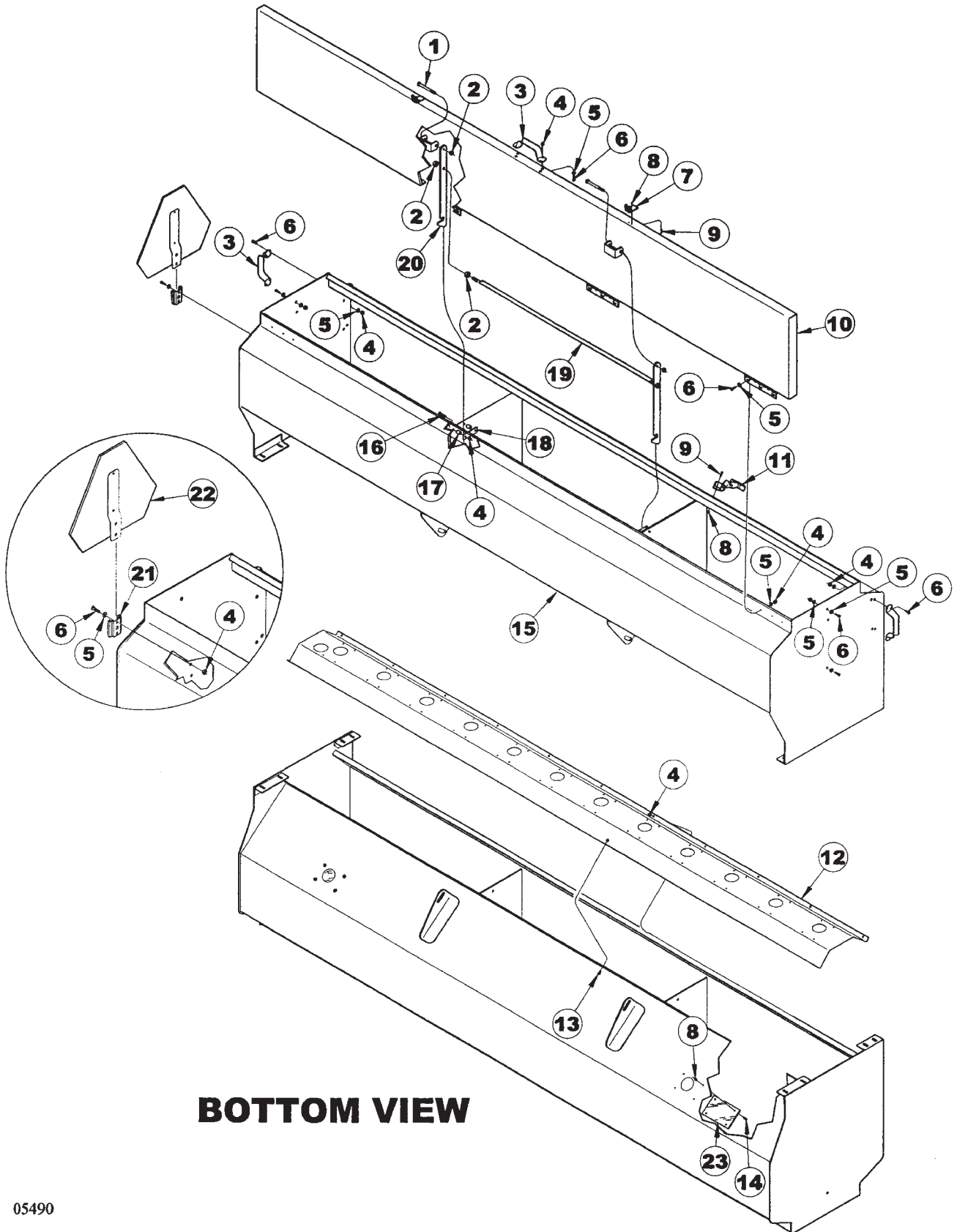
7 1/2' HOPPER ASSEMBLY

ITEM	NUMBER	QTY	DESCRIPTION
1	SN3565		HEX BOLT, 3/8"-16 X 3 1/2", GR 5, Y/D
2	SN177		HEX NUT, 3/8"-16 FULL, GR 2, Y/D
3	SN6436		HANDLE
4	SN3881		LOCK NUT, 1/4"-20 HEX NYLON INSERT
5	SN506		FLAT WASHER, 1/4", Y/D
6	SNDR10025		HEX BOLT, 1/4"-20 X 5/8", GR 5, Y/D
7	SNDR12046		LATCH BRACKET
8	SN10326		NUT, 10-24 UNC HEX HEAD W/LOCKWASHER
9	SN9076		HEX BOLT, NO. 10-24 X 1/2", GR 2, Y/D
10	SN9185		HOPPER LID, 7 1/2"
11	SNA0007		HOPPER LATCH ASSEMBLY
12	SN9049		HOPPER BOTTOM PLATE, 7 1/2', 7 1/2"
	SN9051		HOPPER BOTTOM PLATE, 7 1/2', 10" SP
	SN9045		HEX BOLT, 1/4"-20 X 1/2" GR 5, Y/D
13	SN9045		HEX BOLT, 1/4"-20 X 1/2" GR 5, Y/D
14	SNDR12016		SIGHT GLASS
15	SN9760R		HOPPER BOX, 7 1/2', 3 BU
16	SN2750		HEX BOLT, 1/4"-20 X 1 1/4", GR 2, Y/D
17	SN9181		SPACER, LID LOCK, 5/8"L
18	SN9179		LID LOCK PLATE
19	SN9180		LID LOCK
20	SN3565		HEX BOLT, 3/8"-16 X 3 1/2", GR 5, Y/D
21	SN2566		S.M.V. SOCKET
22	SN7001		SMV EMBLEM

I0005489
PR: t05g30m51b0001

9421 TWO SECTION FOLDING DRILL
SERVICE PARTS

10' & 12 1/2' HOPPER ASSEMBLY



BOTTOM VIEW

**9421 TWO SECTION FOLDING DRILL
SERVICE PARTS**

9

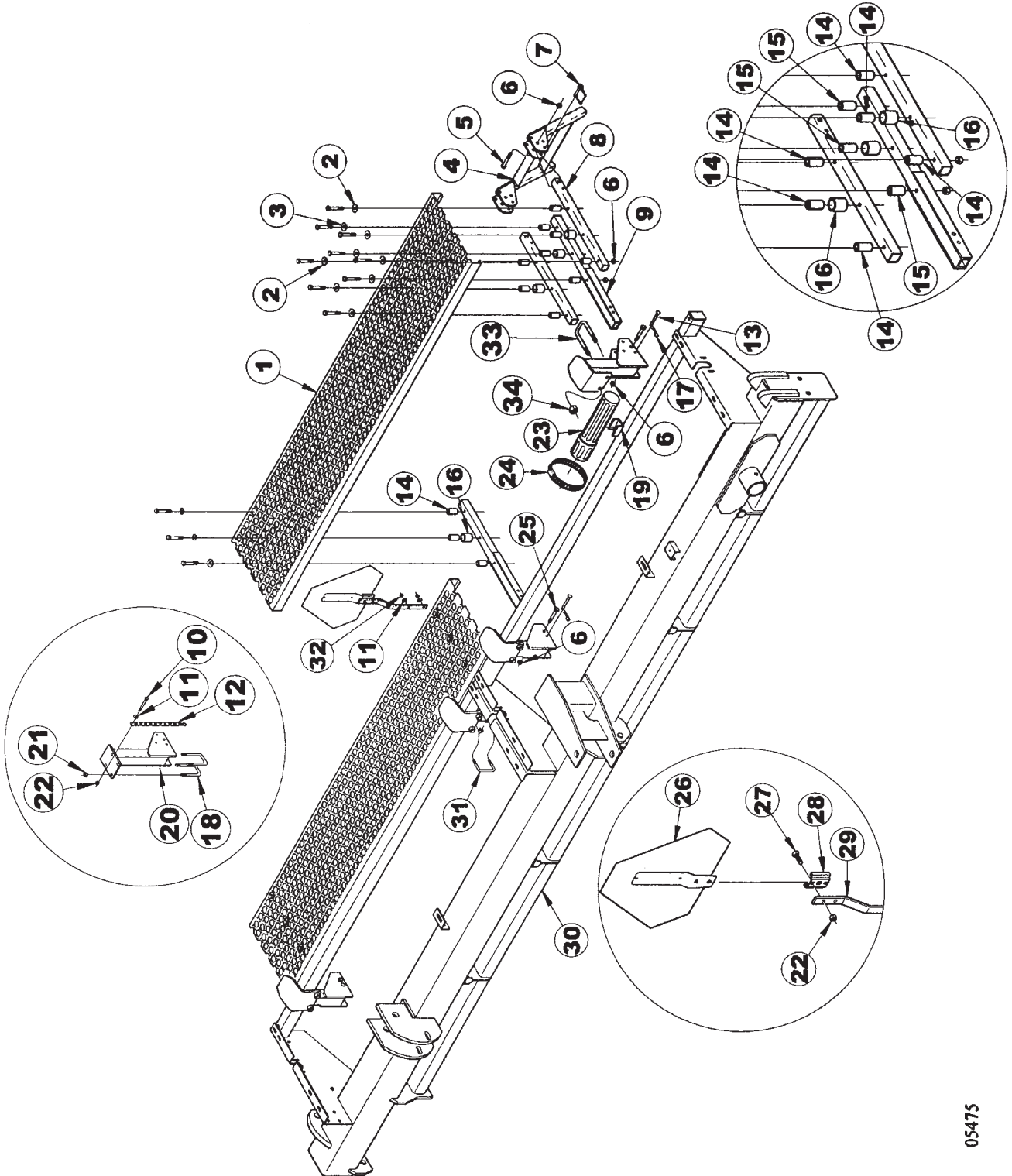
10' & 12 1/2' HOPPER ASSEMBLY

ITEM	NUMBER	QTY	DESCRIPTION
1	SN3565		HEX BOLT, 3/8"-16 X 3 1/2", GR 5, Y/D
2	SN177		HEX NUT, 3/8"-16 FULL, GR 2, Y/D
3	SN6436		HANDLE
4	SN3881		LOCK NUT, 1/4"-20 HEX NYLON INSERT, GR 2, Y/D
5	SN506		FLAT WASHER, 1/4", Y/D
6	SNDR10025		HEX BOLT, 1/4"-20 X 5/8", GR 5, Y/D
7	SNDR12046		LATCH BRACKET
8	SN10326		NUT, 10-24 UNC HEX HEAD W/LOCKWASHER
9	SN9076		HEX BOLT, NO. 10-24 X 1/2", GR 2, Y/D
10	SN9186		HOPPER LID, 10'
	SN9349R		HOPPER LID, 12 1/2'
11	SNA0007		HOPPER LATCH ASSEMBLY
12	SN9052		HOPPER BOTTOM PLATE, 10', 7 1/2" SP
	SN9054		HOPPER BOTTOM PLATE, 10', 10" SP
	SN9339R		HOPPER BOTTOM PLATE, 12 1/2', 7 1/2" SP
	SN9338R		HOPPER BOTTOM PLATE, 12 1/2', 10" SP
13	SN9045		HEX BOLT, 1/4"-20 X 1/2" GR 5, Y/D
14	SN9076		HEX BOLT, NO. 10-24 X 1/2", GR 2, Y/D
15	SN9774		HOPPER BOX, 10', 3 BU
	SN9775		HOPPER BOX, 12 1/2', 3 BU
16	SN2750		HEX BOLT, 1/4"-20 X 1 1/4", GR 2, Y/D
17	SN9181		SPACER, LID LOCK, 5/8"L
18	SN9179		LID LOCK PLATE
19	SN9182		LOCKING ROD, 10'
	SN9183R		LOCKING ROD, 12.5'
20	SN9180		LID LOCK
21	SN2566		S.M.V. SOCKET
22	SN7001		S.M.V. EMBLEM
23	SNDR12016		SIGHT GLASS

I0005490
PR: t05g30m51b0002

9421 TWO SECTION FOLDING DRILL
SERVICE PARTS

FRAME ASSEMBLY



**9421 TWO SECTION FOLDING DRILL
SERVICE PARTS**

11

FRAME ASSEMBLY

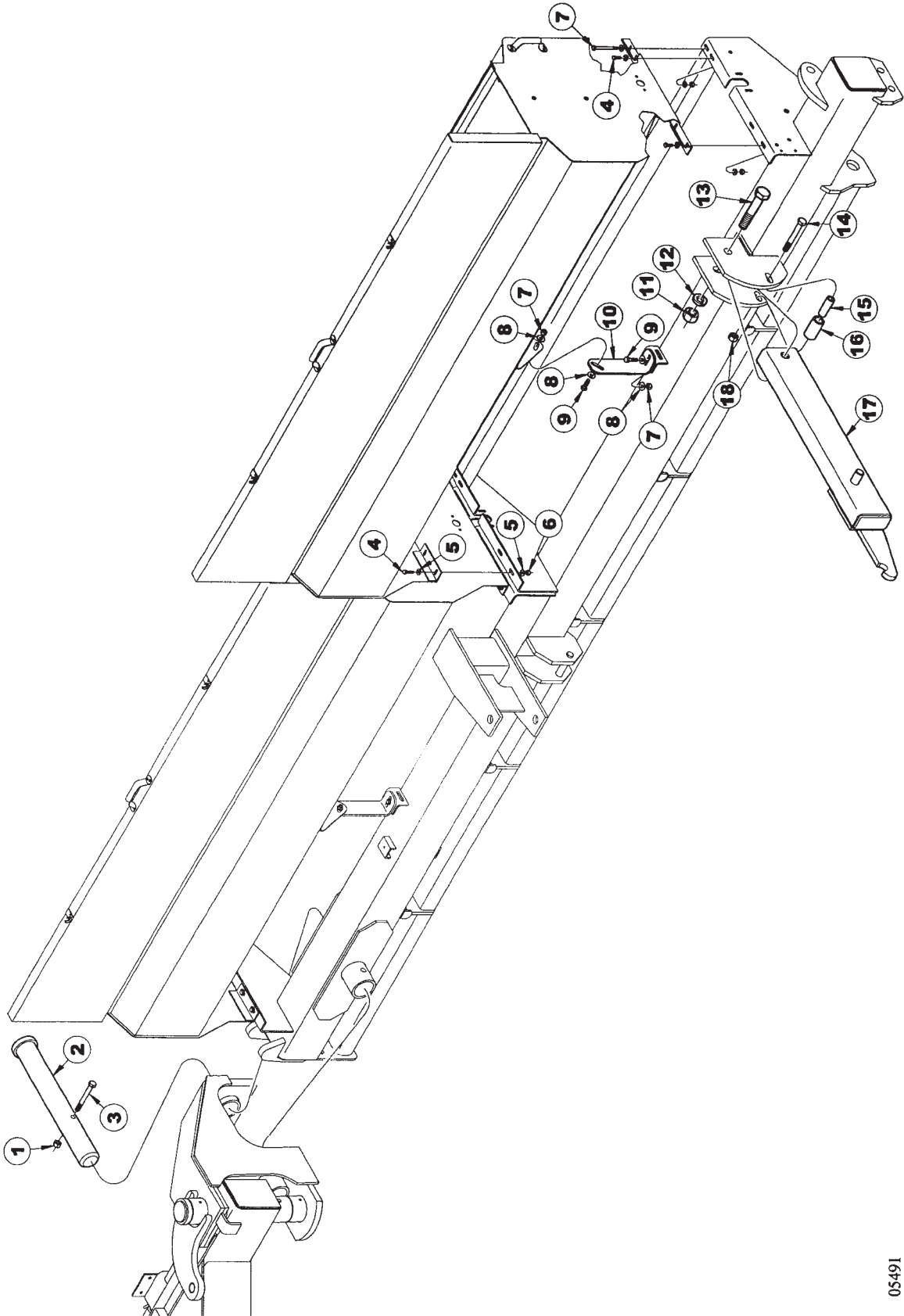
ITEM	NUMBER	QTY	DESCRIPTION
1	SN6940		WALKBOARD, 112" (20' DRILL)
	SN9419		WALKBOARD, 71" L (25'DRILL)
	SN9420		WALKBOARD, 86" L (30' DRILL)
2	SN5290		FLAT WASHER, 1/2", 3/16" THICK
3	SN486		FLAT WASHER, 1/2", Y/D
4	SN7069		WALKBOARD STEP, 18"
5	SN156		HEX BOLT, 1/2"-13 X 3", GR 5 Y/D
6	SN2096		LOCK NUT, 1/2"-13 HEX NYLON INSERT
7	SN7068		WALKBOARD STEP MOUNT
8	SN7068		WALKBOARD STEP MOUNT
9	SN6955		WALKBOARD ARM, 27 1/4" L
10	SN4738		HEX BOLT, 3/8"-16 X 2 3/4", GR 5, Y/D
11	SN317		FLAT WASHER, 3/8", Y/D
12	SN6675		CHAIN, 13" W/S-HOOK
13	SN6795		PIN, 3/8" X 3 1/4" (3 1/64"), Z/P
14	SN6959R		SPACER, 1.00" OD X .563" ID, 1 3/4"
15	SN7179		SPACER, 1.00" OD X .563" ID, 1 5/8"
16	SN6958R		SPACER, 1.500" OD X 1.125" ID, 1 9/16"
17	SN71L-2701		PIN CLIP, 1/2"-5/8" SHAFT, .120"
18	SNDR11507		U-BOLT, 7/16"-14 X 4" X 2 1/2"W, GR 5, Y/D
19	SN7219		MOUNT, OPERATOR'S MANUAL TUBE
20	SN6673		* WALKBOARD BRACKET
21	SNDR10524		LOCK NUT, 7/16"-14 HEX NYLON INSERT,GR 2, Y/D
22	SN3567		LOCK NUT, 3/8"-16 HEX NYLON INSERT
23	SN3750		OPERATOR'S MANUAL TUBE
24	SN3765		HOSE CLAMP, 3 1/2"
25	SN1507		HEX BOLT, 1/2"-13 X 3 1/2", GR 5, Y/D
26	SN7001		SMV EMBLEM
27	SN178		HEX BOLT, 3/8"-16 X 1", GR 5, Y/D
28	SN2566		S.M.V. SOCKET
29	SNBT10258		SMV BRACKET
30	SN9770		WING FRAME, RIGHT (20' DRILL)
	SN9771		WING FRAME, LEFT (20' DRILL)
	SN9772		WING FRAME, RIGHT (25' DRILL)
	SN9773		WING FRAME, LEFT (25' DRILL)
	SN9746		WING FRAME, RIGHT (30' DRILL)
	SN9747		WING FRAME, LEFT (30' DRILL)
31	SNDR11502		U-BOLT, 3/8"-16 X 2 5/8" X 3 1/2" W, GR 5, Y/D
32	SN3566		LOCK NUT, 3/8"-16 HEX CENTER, GR 2, Y/D
33	SN4843		U-BOLT, 1/2"-13 X 5 1/4" X 2 1/2" W, GR 5, Y/D
34	SN2096		LOCK NUT, 1/2"-13 HEX NYLON INSERT

*NOTE:6673R WALKBOARD BRACKET IS A
DIRECT REPLACEMENT FOR OLD VERSION 1
STYLE. NEW BRACKET REQUIRES (#33)
U-BOLT AND (#34) LOCKNUTS.

I0005475
PR: t05g30m51b0003

9421 TWO SECTION FOLDING DRILL
SERVICE PARTS

WING FRAME & HOPPER ASSEMBLY



**9421 TWO SECTION FOLDING DRILL
SERVICE PARTS**

13

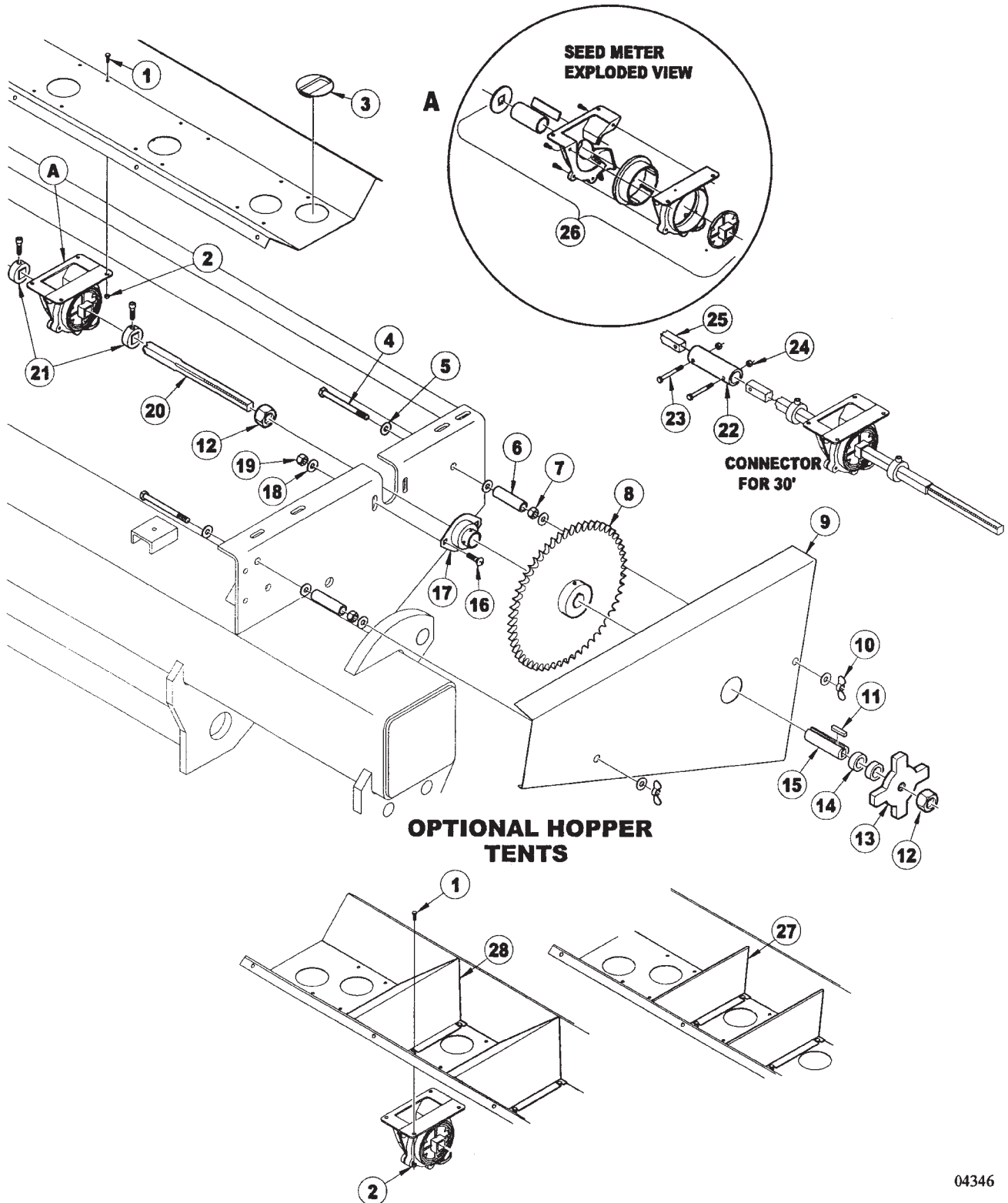
WING FRAME & HOPPER ASSEMBLY

ITEM	NUMBER	QTY	DESCRIPTION
1	SN669-1		LOCK NUT, 5/8" HEX NYLON INSERT
2	SN9364		PIN, 3" X 23" (15 1/32")
3	SN2090		HEX BOLT, 5/8"-11 X 5", GR 5 Y/D
4	SN3984		HEX BOLT, 3/8"-16 X 1 1/4", GR 5, Y/D
5	SN317		FLAT WASHER, 3/8", Y/D
6	SN3567		LOCK NUT, 3/8"-16 HEX NYLON INSERT
7	SN2096		LOCK NUT, 1/2"-13 HEX NYLON INSERT
8	SN486		FLAT WASHER, 1/2", Y/D
9	SN2045		HEX BOLT, 1/2"-13 X 1 3/4", GR5, Y/D
10	SN9761		HOPPER BRACKET
11	SNFK150144		HEX NUT, 1 1/4"-7, GR 2, Y/D
12	SNFK150157		LOCK WASHER, 1 1/4", Y/D
13	SN4753		HEX BOLT, 1 1/4"-7 X 6", GR. 5, Y/D
14	SN1021		HEX BOLT, 3/4"-10 X 5 1/2", GR 5, Y/D
15	SN9397		CLAMP BUSHING, 1.125"OD X .782" ID, 3 1/8"L
16	SN9765		BUSHING, 1.750" OD X 1.155" ID X 3 1/8"
17	SN9735		WING LOCK BAR (USED ON 30' DRILLS ONLY)
18	SN106		HEX NUT, 3/4"-10 FULL, GR 5, Y/D

I0005491
PR: t05g30m51b0004

9421 TWO SECTION FOLDING DRILL
SERVICE PARTS

SEED METER & SHAFT ASSEMBLY



**9421 TWO SECTION FOLDING DRILL
SERVICE PARTS**

15

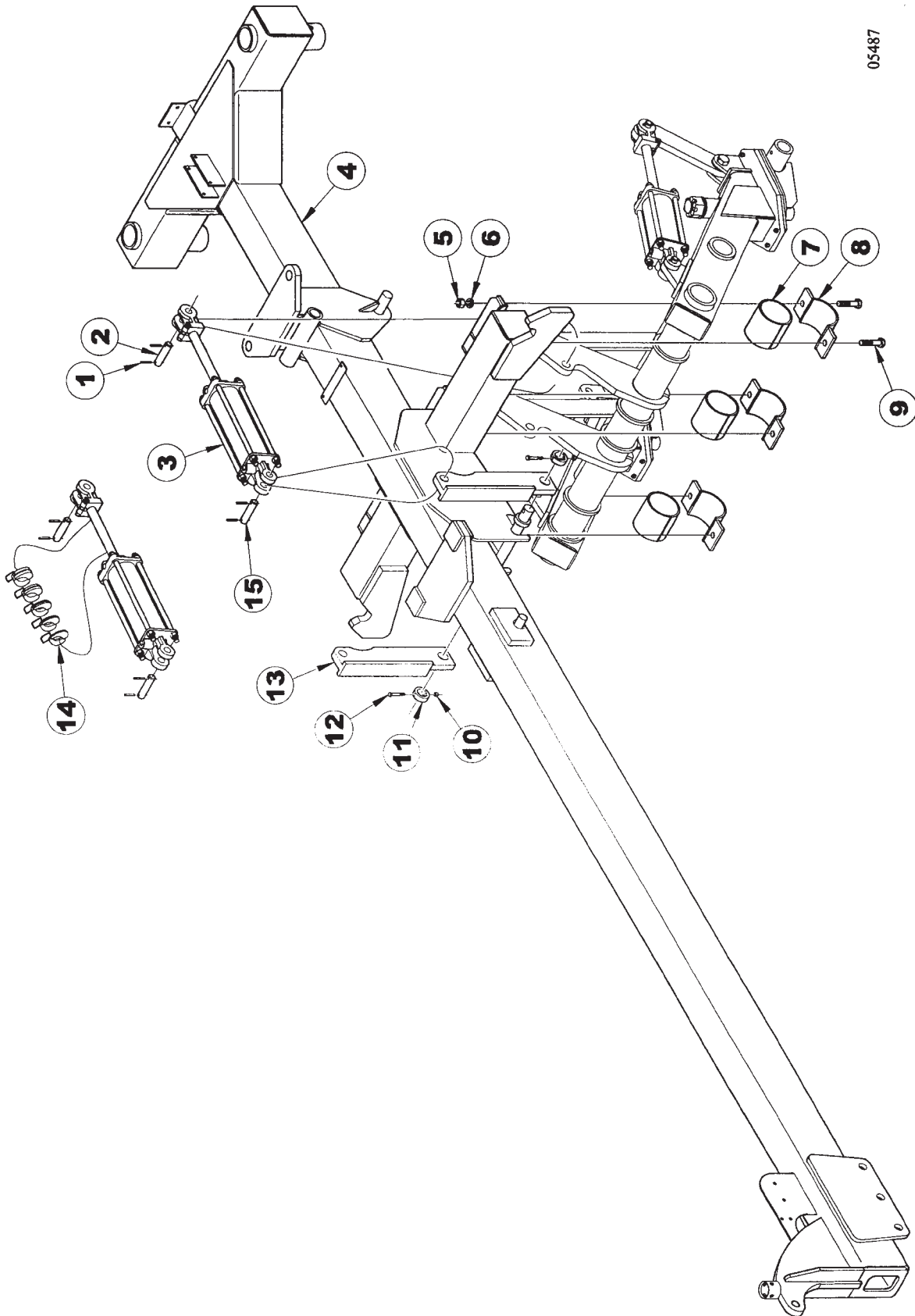
SEED METER & SHAFT ASSEMBLY

ITEM	NUMBER	QTY	DESCRIPTION
1	SN9076		HEX BOLT, NO. 10-24 X 1/2", GR 2, Y/D
2	SN10326		NUT, 10-24 UNC HEX HEAD W/LOCKWASHER
3	SNDR12017		PLUG, SEED METER
4	SNDR10026		HEX BOLT, 3/8"-16 X 4" GR 5, Y/D
5	SN317		FLAT WASHER, 3/8", Y/D
6	SNB2620		SPACER, .750" OD X .500" ID, .125" WALL, 2 5/8" L
7	SN177		HEX NUT, 3/8"-16 FULL, GR 2, Y/D
8	SNDR40506		SPROCKET, 54 TOOTH, 1" BORE #50 CHAIN
9	SN9394		CHAIN GUARD, LEFT (SHOWN)
	SN9393		CHAIN GUARD, RIGHT
10	SNDR10506		WING NUT, 3/8"-16, Y/D
11	SNDR41509		KEY, 1/4" X 1 1/4" SPROCKET
12	SN1243		JAM NUT, 3/4"-10 HEX, GR 2, Y/D
13	SNB1540		ADJUSTMENT KNOB, Y/D
14	SNBT10275		SPACER, 1.250" OD X .781" ID, .234" WALL, 15/32" L
15	SNDR41506		BUSHING, KEYED 1" OD X .630" SQ ID, 3 1/4" L, Y/D
16	SN6376		CARRIAGE BOLT, 5/16"-18 X 1" GR 5, Y/D
17	SNDR30009		BEARING, 1" LFST
18	SN6377		FLAT WASHER, 5/16" Y/D
19	SN6378		LOCK NUT, 5/16" HEX NYLON INSERT GR 5, Y/D
20	SN9188		SHAFT, 124 3/4", 5/8" SQ (20')
	SN9433		SHAFT, 154 3/4", 5/8" SQ (25')
	SNB1598		SHAFT, 94", 5/8" SQ (30')
21	SN6581		LOCKING COLLAR, 1 1/2" OD X .6325 SQ. W/CAP SCREW
22	SN9189		CONNECTOR, METER SHAFT, 5" L
23	SN1550		HEX BOLT, 1/4"-20 X 2", GR 2, Y/D
24	SN3881		LOCK NUT, 1/4"-20 HEX NYLON INSERT, GR 2, Y/D
25	SNB1599		SHAFT, 88 1/4", 5/8" SQ
26	SNA0012		SEED METER ASSEMBLY
27	SN9785		SEED BOX TENT, 7 1/2" SP
28	SN9786		SEED BOX TENT, 10" SP

I0004346
PR: t05g30m51b0005

9421 TWO SECTION FOLDING DRILL
SERVICE PARTS

LIFT & MAIN FRAME ASSEMBLY



05487

**9421 TWO SECTION FOLDING DRILL
SERVICE PARTS**

17

LIFT & MAIN FRAME ASSEMBLY

ITEM	NUMBER	QTY	DESCRIPTION
1	SN3164		ROLL PIN, 5/16" X 2" SPIRAL MEDIUM
2	SN5339		PIN, 1" X 4 1/16" (3"), Y/D (USED WITH 9704R CYLINDERS)
	SN12188		PIN, 1" X 4 9/16" (3 1/2"), Y/D (USED WITH 12010R CYLINDERS)
3	SN9704		CYLINDER, 4 1/2" X 12" (24 1/4" CPC) (*VERSION 1, PRIOR TO 7/28/03)
	SN12010		CYLINDER, 4 1/2" X 12" REPH (24 1/4"CPC) ORB CROSS, 3000 PSI (*VERSION 2, 7/28/03 & LATER)
4	SN9734		MAIN FRAME
5	SN106		HEX NUT, 3/4"-10 FULL, GR 5, Y/D
6	SN1040		LOCK WASHER, 3/4" SPLIT TYPE MED, Y/D
7	SN6425		BEARING, LIFT (SPLIT)
8	SN6301R		BEARING CAP
9	SN1220		HEX BOLT, 3/4"-10 X 2", GR 5, Y/D
10	SN3567		LOCK NUT, 3/8"-16 HEX NYLON INSERT
11	SN6478		COLLAR, 3/4"
12	SN4738		HEX BOLT, 3/8"-16 X 2 3/4", GR 5, Y/D
13	SN9261		CYLINDER LINK
14	SN2355		STROKE CONTROL SEGMENTS, 1 1/2" DIAMETER
15	SN5339		PIN, 1" X 4 1/16" (3"), Y/D

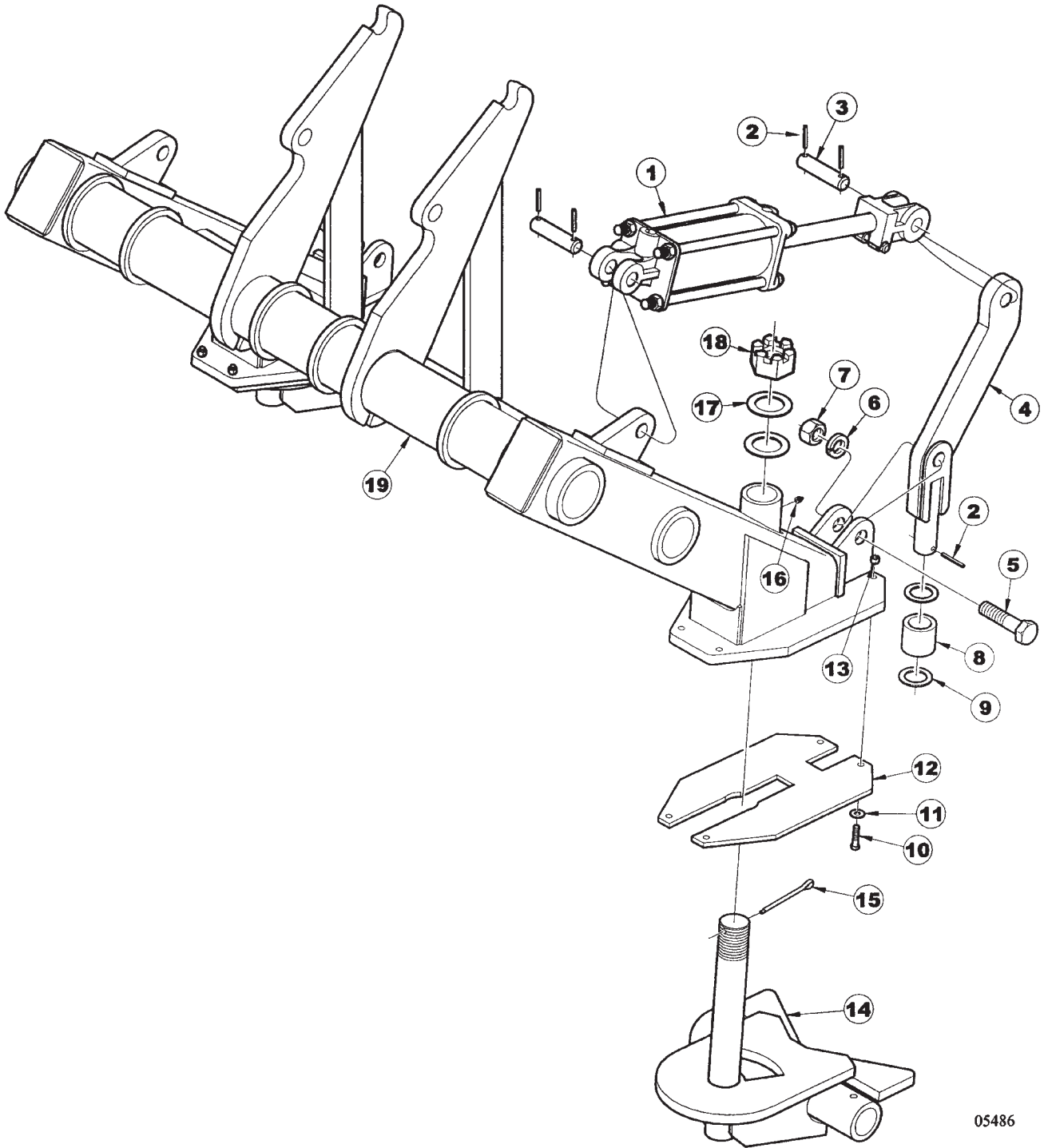
NOTE: *WHEN ORDERING HYDRAULIC CYLINDER COMPONENTS, NOTE THE PART NUMBER AND THE CYLINDER PSI. (LOCATED ON THE CYLINDER DECAL) AS THEY CONTAIN DIFFERENT COMPONENTS. OLDER CYLINDERS WERE 2500 PSI. AND THE NEWER CYLINDERS ARE 3000 PSI. IDENTIFYING THE PART # OF THE CYLINDER IS EXTREMELY IMPORTANT WHEN ORDERING PARTS TO ENSURE PROPER OPERATION OF THE HYDRAULIC CYLINDER.

WARNING
THESE PARTS ARE IMPORTANT TO THE SAFETY OF THIS EQUIPMENT AND THOSE WHO OPERATE IT. USE ONLY EXACT REPLACEMENT PARTS TO PREVENT HYDRAULIC FAILURE. BEFORE REPLACING THESE PARTS, REVIEW AND FOLLOW THE INSTRUCTIONS IN THE SAFETY AND OPERATING SECTIONS OF THIS MANUAL.

I0005487
PR: t05g30m51b0006

9421 TWO SECTION FOLDING DRILL
SERVICE PARTS

LIFT ASSEMBLY



**9421 TWO SECTION FOLDING DRILL
SERVICE PARTS**

19

LIFT ASSEMBLY

ITEM	NUMBER	QTY	DESCRIPTION
1	SNDR55002		CYLINDER, 2 1/2" X 8" (20 1/4" CPC) ORB CROSS (*VERSION 1, PRIOR TO 6/23/03)
	SN12051		CYLINDER, 2 1/2" X 8" (20 1/4" CPC) CROSS,3000PSI (*VERSION 2, 6/23/03 & LATER)
2	SN3164		ROLL PIN, 5/16" X 2" SPIRAL MEDIUM DUTY, Y/D
3	SN5339		PIN, 1" X 4 1/16" (3"), Y/D
4	SN9464		WHEEL LOCK
5	SNYYC-021		HEX BOLT, 1"-8 X 3 1/2", 1" THD, GR 5, Y/D
6	SN1283		LOCK WASHER, 1" SPLIT TYPE MED, Y/D
7	SN1849		JAM NUT, 1"-8 HEX, GR 2, Y/D
8	SN9465		SPACER, WHEEL LOCK
9	SN3095		FLAT WASHER, 1 1/2" ID X 2 1/4" OD, 10 GA, Y/D
10	SNFK150083		HEX BOLT, 3/8"-16 X 1 3/4" GR 5, Y/D
11	SN317		FLAT WASHER, 3/8", Y/D
12	SN9323		WEAR PLATE, LIFT
13	SN3567		LOCK NUT, 3/8"-16 HEX NYLON INSERT, GR 2, Y/D
14	SN9766		CASTER, LIFT
15	SN108		COTTER PIN, 5/16" X 2 1/2", Y/D
16	SN2098-1		GREASE ZERK, 1/8" NPTF, 5/8" L
17	SN2072		MACHINE BUSHING, 2"
18	SN3989		HEX NUT, 2"-4 1/2 FULL SLOTTED, GR 2, Y/D
19	SN9745		CENTER LIFT

NOTE: *WHEN ORDERING HYDRAULIC CYLINDER COMPONENTS, NOTE THE PART NUMBER AND THE CYLINDER PSI. (LOCATED ON THE CYLINDER DECAL) AS THEY CONTAIN DIFFERENT COMPONENTS. OLDER CYLINDERS WERE 2500 PSI. AND THE NEWER CYLINDERS ARE 3000 PSI. IDENTIFYING THE PART # OF THE CYLINDER IS EXTREMELY IMPORTANT WHEN ORDERING PARTS TO ENSURE PROPER OPERATION OF THE HYDRAULIC CYLINDER.

WARNING
THESE PARTS ARE IMPORTANT TO THE SAFETY OF THIS EQUIPMENT AND THOSE WHO OPERATE IT. USE ONLY EXACT REPLACEMENT PARTS TO PREVENT HYDRAULIC FAILURE. BEFORE REPLACING THESE PARTS, REVIEW AND FOLLOW THE INSTRUCTIONS IN THE SAFETY AND OPERATING SECTIONS OF THIS MANUAL.

I0005486
PR: t05g30m51b0007

**9421 TWO SECTION FOLDING DRILL
SERVICE PARTS**

21

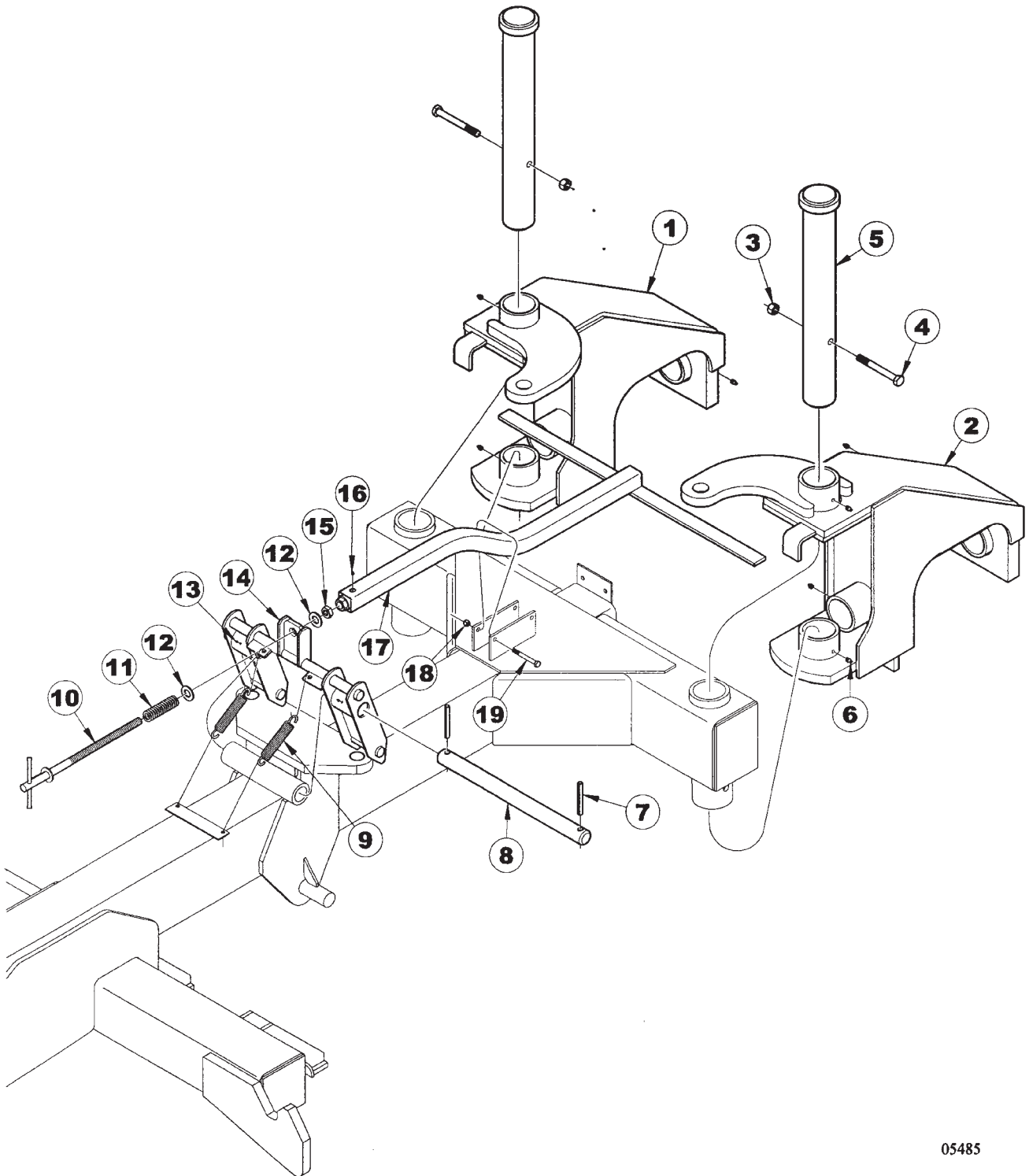
TONGUE ASSEMBLY

ITEM	NUMBER	QTY	DESCRIPTION
1	SN2098-1		GREASE ZERK, 1/8" NPTF, 5/8" L
2	SN9759		BEARING CAP, LEFT
3	SN9271		HEX BOLT, 1 1/8"-7 X 3 1/2" GR5, Y/D
4	SN2561		LOCK WASHER, 1 1/8" SPLIT TYPE MED, Y/D
5	SN1300		HEX NUT, 1 1/8"-7 FULL, GR 2, Y/D
6	SN9744		TONGUE
7	SN2378		LONG TONGUE JACK, RND W/TUBE MOUNT
8	SNFK150219		HEX BOLT, 1 1/4"-7 X 7 1/2" GR 5, Y/D
9	SNFK150272		HEX BOLT, 1 1/4"-7 X 10", GR 5, Y/D
10	SN9782R		WASHER, 1.3125" ID X 3.5" OD X 1/2" THICK
11	SN9783		SPACER TUBE, 1"
12	SN4781		CAST SINGLE LIP HITCH, 2" HOLE
13	SN9769		HITCH RECEIVER
14	SNFK150157		LOCK WASHER, 1 1/4", Y/D
15	SNFK150144		HEX NUT, 1 1/4"-7, GR 2, Y/D
16	SN7858		CHAIN, 3/8" X 59" (20,200 LB) ASSEMBLY
17	SN2096		LOCK NUT, 1/2"-13 HEX NYLON INSERT
18	SN486		FLAT WASHER, 1/2", Y/D
19	SN2045		HEX BOLT, 1/2"-13 X 1 3/4", GR5, Y/D
20	SN4914		HOSE HOLDER, RED
21	SNCS516114		HEX BOLT, 5/16"-18 X 1 1/4" GR 5, Y/D
22	SN3723		LOCK WASHER, 5/16" SPLIT TYPE, MED, Y/D
23	SN3724		HEX NUT, 5/16"-18 FULL, GR 2, Y/D
24	SN4915		HOSE HOLDER ROD, RED
25	SN9758		BEARING CAP, RIGHT

I0005496
PR: t05g30m51b0008

9421 TWO SECTION FOLDING DRILL
SERVICE PARTS

TRANSPORT LOCK & WING HINGES



**9421 TWO SECTION FOLDING DRILL
SERVICE PARTS**

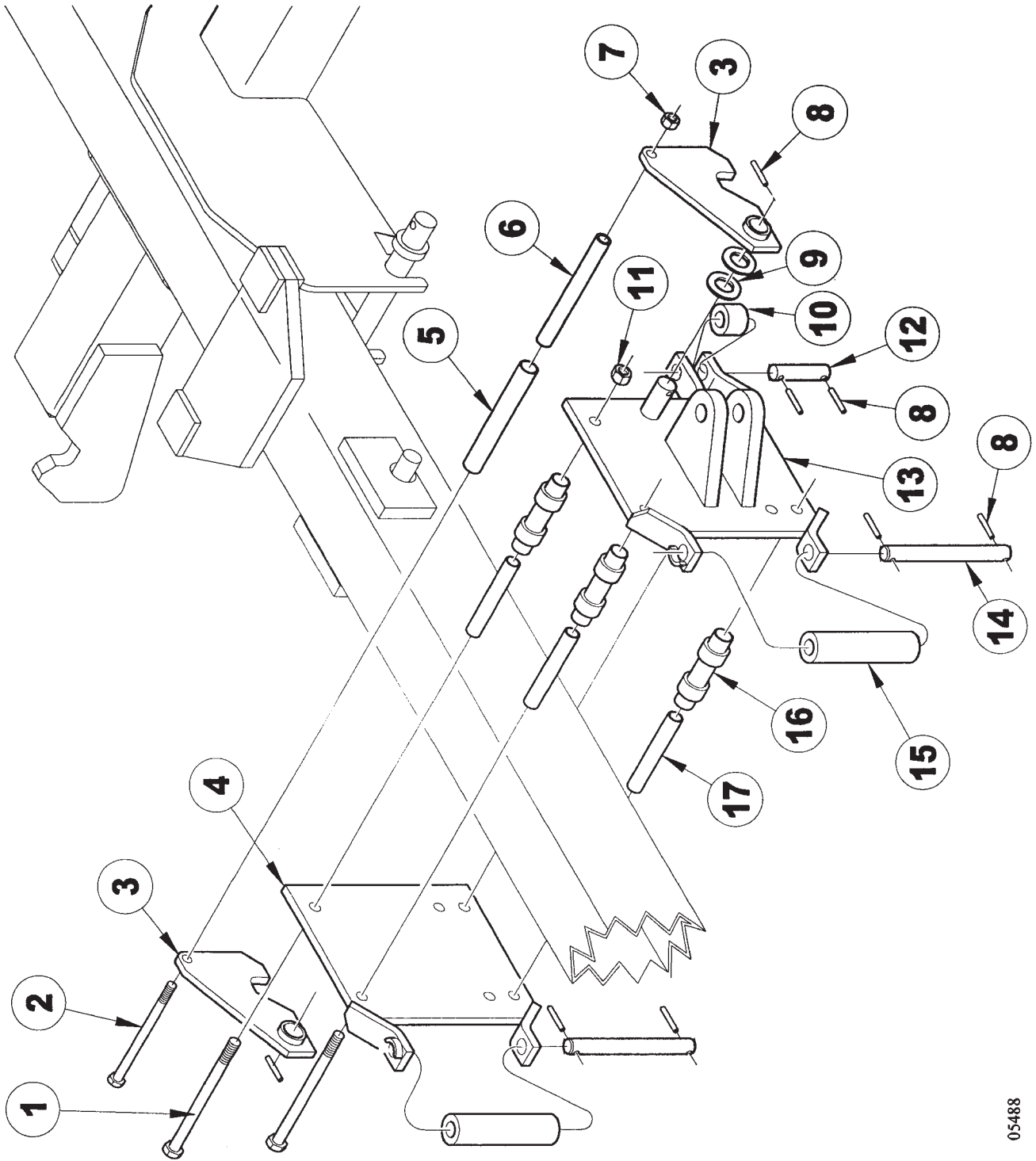
23

TRANSPORT LOCK & WING HINGES

ITEM	NUMBER	QTY	DESCRIPTION
1	SN9748		WING PIVOT, RIGHT
2	SN9750		WING PIVOT, LEFT
3	SN669-1		LOCK NUT, 5/8" HEX NYLON INSERT
4	SN2090		HEX BOLT, 5/8"-11 X 5", GR 5 Y/D
5	SN9364		PIN, 3" X 23" (15 1/32")
6	SN2098-1		GREASE ZERK, 1/8" NPTF, 5/8" L
7	SNFK150025		ROLL PIN, 1/2" X 3 1/2" Y/D
8	SN9389		PIN, 1 1/2" X 19 1/4"
9	SN9388		SPRING, 1" OD X .73"ID, 6"L EXTENSION
10	SN5137		THREADED REMOTE ADJUSTMENT
11	SN4944		SPRING, 1.10" OD, .135 DIA, 3 1/2"
12	SN779		WASHER, 25/32" ID X 1 1/2" OD, 10 GA, PL
13	SN2098-1		GREASE ZERK, 1/8" NPTF, 5/8" L
14	SN9756		TRANSPORT LOCK
15	SN1243		JAM NUT, 3/4"-10 HEX, GR 2, Y/D
16	SN2098-6		GREASE ZERK, 1/4"-28, 17/32" L
17	SN9757		TRANSPORT LOCK ROD
18	SN3567		LOCK NUT, 3/8"-16 HEX NYLON INSERT
19	SN3806		HEX BOLT, 3/8"-16 X 3", GR 5, Y/D

I0005485
PR: t05g30m51b0009

SLIDE LOCK ROLLER ASSEMBLY



9421 TWO SECTION FOLDING DRILL
SERVICE PARTS

25

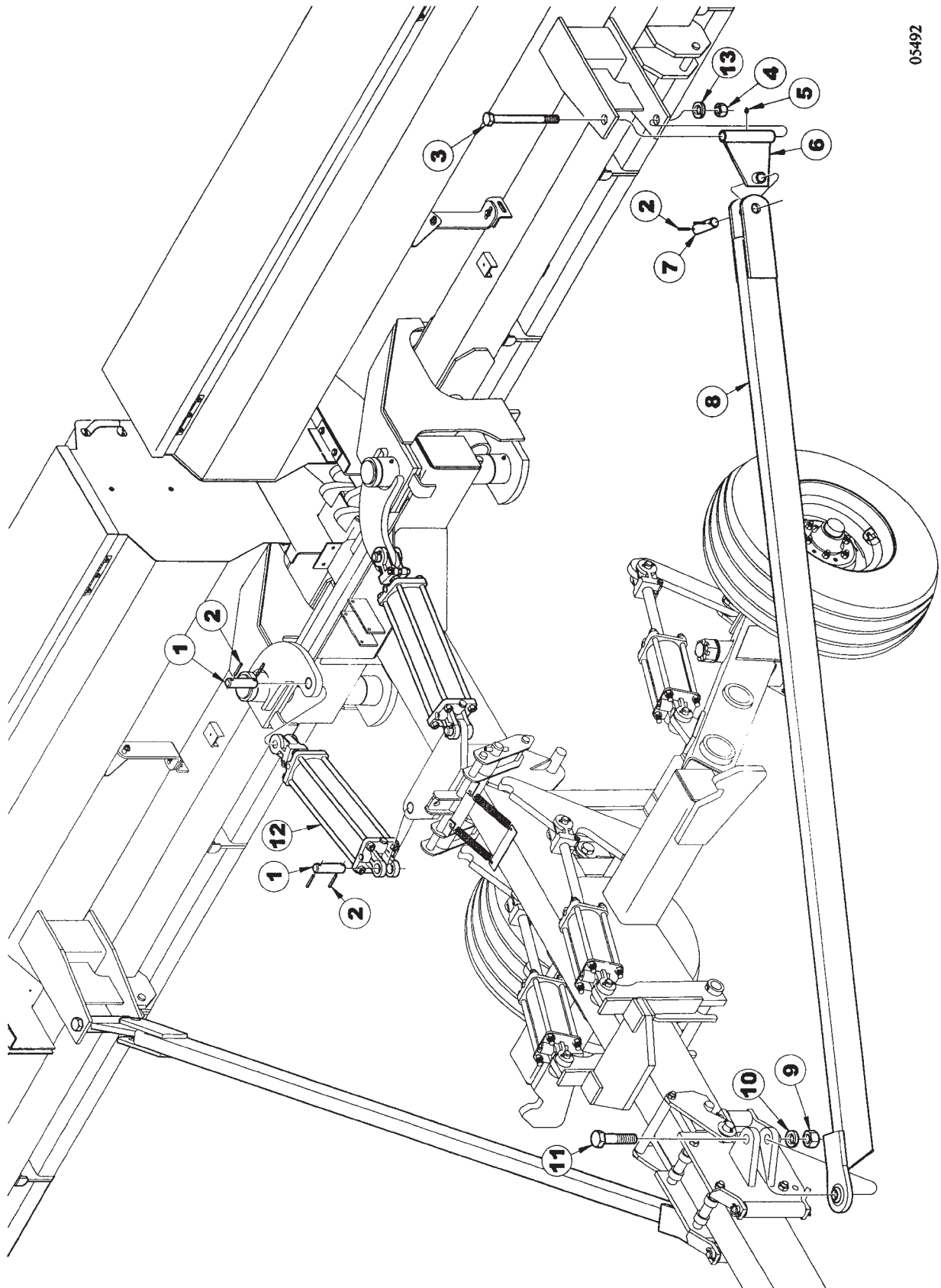
SLIDE LOCK ROLLER ASSEMBLY

ITEM	NUMBER	QTY	DESCRIPTION
1	SN2148		HEX BOLT, 3/4"-10 X 8 1/2", GR 5, Y/D
2	SNFK150274		HEX BOLT, 5/8"-11 X 11" GR 5, Y/D
3	SN9729		SLIDE HOOK
4	SN9727		SLIDE LOCK PLATE, RIGHT
5	SN6799		SLIDE LOCK ROLLER, 9"
6	SN6800		CLAMP BUSHING, 9 1/4"
7	SN669-1		LOCK NUT, 5/8" HEX NYLON INSERT
8	SN3164		ROLL PIN, 5/16" X 2" SPIRAL MEDIUM DUTY, Y/D
9	SNFK150172		FLAT WASHER, 1 1/4" SAE, Y/D
10	SN9731		SLIDE LOCK ROLLER, 3 7/16"
11	SNHEN3410		LOCK NUT, 3/4" HEX NYLON INSERT
12	SN9730		ROLLER SHAFT, SHORT
13	SN9728		SLIDE LOCK PLATE, LEFT
14	SN9732		ROLLER SHAFT, LONG
15	SN9733		SLIDE LOCK ROLLER, 9"
16	SN6779		SLIDE LOCK ROLLER, 6 1/8"
17	SN6782		CLAMP BUSHING, 6 3/8"

I0005488
PR: t05g30m51b0010

9421 TWO SECTION FOLDING DRILL
SERVICE PARTS

FOLD ARMS & CYLINDER ASSEMBLY



05492

**9421 TWO SECTION FOLDING DRILL
SERVICE PARTS**

27

FOLD ARMS & CYLINDER ASSEMBLY

ITEM	NUMBER	QTY	DESCRIPTION
1	SN9706		PIN, 1.243" X 6 9/16" (5 1/4") Y/D
2	SN3164		ROLL PIN, 5/16" X 2" SPIRAL MEDIUM DUTY, Y/D
3	SNFK150272		HEX BOLT, 1 1/4"-7 X 10", GR 5, Y/D
4	SNFK150144		HEX NUT, 1 1/4"-7, GR 2, Y/D
5	SN2098-1		GREASE ZERK, 1/8" NPTF, 5/8" L
6	SN6785		WING BRACE SWIVEL
7	SN5341		PIN, 1 1/4" X 4 5/16" (3 1/4") Y/D
8	SN9726		BRACE ROD
9	SN1300		HEX NUT, 1 1/8"-7 FULL, GR 2, Y/D
10	SN2561		LOCK WASHER, 1 1/8" SPLIT TYPE MED, Y/D
11	SN3051		HEX BOLT, 1 1/8"-7 X 5 1/4", GR 5, Y/D
12	SN9725		CYLINDER, 4" X 16" W/8618-1 CLEVIS (*VERSION 1, PRIOR TO 8/22/03)
	SN12012		CYLINDER, 4" X 16" W/8618-1 CLEVIS (27" CPC) CROSS, 3000 PSI (*VERSION 2, 8/22/03 & LATER)
13	SNFK150157		LOCK WASHER, 1 1/4", Y/D

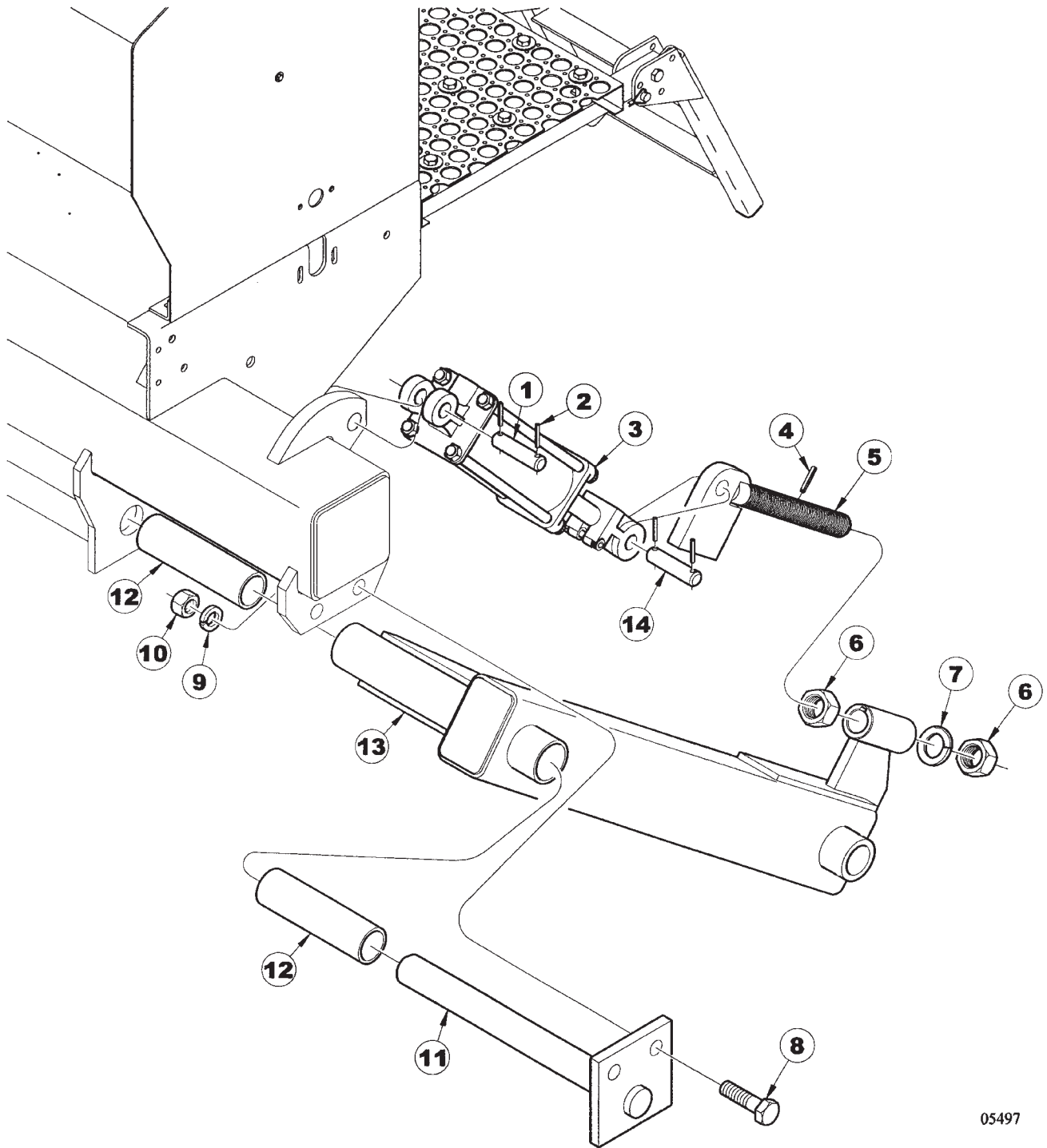
NOTE: *WHEN ORDERING HYDRAULIC CYLINDER COMPONENTS, NOTE THE PART NUMBER AND THE CYLINDER PSI. (LOCATED ON THE CYLINDER DECAL) AS THEY CONTAIN DIFFERENT COMPONENTS. OLDER CYLINDERS WERE 2500 PSI. AND THE NEWER CYLINDERS ARE 3000 PSI. IDENTIFYING THE PART # OF THE CYLINDER IS EXTREMELY IMPORTANT WHEN ORDERING PARTS TO ENSURE PROPER OPERATION OF THE HYDRAULIC CYLINDER.

WARNING
THESE PARTS ARE IMPORTANT TO THE SAFETY OF THIS EQUIPMENT AND THOSE WHO OPERATE IT. USE ONLY EXACT REPLACEMENT PARTS TO PREVENT HYDRAULIC FAILURE. BEFORE REPLACING THESE PARTS, REVIEW AND FOLLOW THE INSTRUCTIONS IN THE SAFETY AND OPERATING SECTIONS OF THIS MANUAL.

I0005492
PR: t05g30m51b0011

9421 TWO SECTION FOLDING DRILL
SERVICE PARTS

DUAL WHEEL WING LIFT ASSEMBLY



**9421 TWO SECTION FOLDING DRILL
SERVICE PARTS**

29

DUAL WHEEL WING LIFT ASSEMBLY

ITEM	NUMBER	QTY	DESCRIPTION
1	SN5339		PIN, 1" X 4 1/16" (3"), Y/D
2	SN3164		ROLL PIN, 5/16" X 2" SPIRAL MEDIUM DUTY, Y/D
3	SN9703		CYLINDER, 4 1/4" X 12" (24 1/4" CPC) (*VERSION 1, PRIOR TO 7/8/03)
	SN12008		CYLINDER, 4 1/4" X 12" REPH(24 1/4"CPC) CROSS,3000 PSI (*VERSION 2, 7/8/03 & LATER)
4	SN4623		GUIDE PIN
5	SN9755		ADJUSTMENT BOLT
6	SN1978		HEX NUT, 1 1/2"-6 FULL, GR 2, Y/D
7	SN2085		LOCK WASHER, 1 1/2" SPLIT TYPE MED, Y/D
8	SNFK150074		HEX BOLT, 1"-8 X 3" GR 5, Y/D
9	SN1283		LOCK WASHER, 1" SPLIT TYPE MED, Y/D
10	SN110		HEX NUT, 1"-8 FULL, GR 5, Y/D
11	SN9325		PIN, WING LIFT
12	SN9326		BUSHING, 2 1/2" OD X 2" ID, 9" L PLASTIC
13	SN9754		LIFT, LEFT DUAL
	SN9751		LIFT, RIGHT DUAL
14	SN5339		PIN, 1" X 4 1/16" (3"), Y/D (USED WITH 9703R CYLINDER, VERSION 1)
	SN12188		PIN, 1" X 4 9/16" (3 1/2"), Y/D (USED WITH 12008R CYLINDER, VERSION 2)

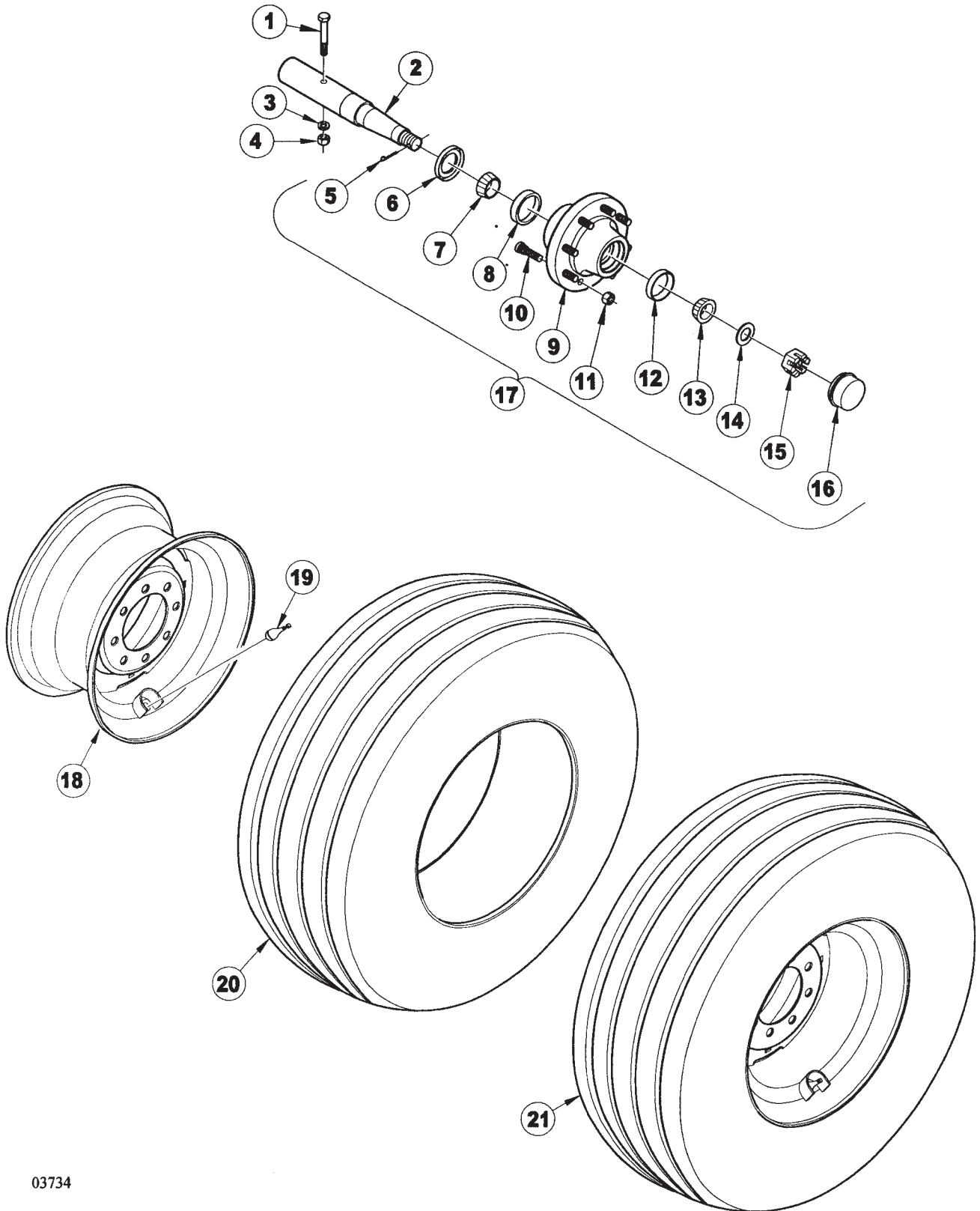
NOTE: *WHEN ORDERING HYDRAULIC CYLINDER COMPONENTS, NOTE THE PART NUMBER AND THE CYLINDER PSI. (LOCATED ON THE CYLINDER DECAL) AS THEY CONTAIN DIFFERENT COMPONENTS. OLDER CYLINDERS WERE 2500 PSI. AND THE NEWER CYLINDERS ARE 3000 PSI. IDENTIFYING THE PART # OF THE CYLINDER IS EXTREMELY IMPORTANT WHEN ORDERING PARTS TO ENSURE PROPER OPERATION OF THE HYDRAULIC CYLINDER.

WARNING
THESE PARTS ARE IMPORTANT TO THE SAFETY OF THIS EQUIPMENT AND THOSE WHO OPERATE IT. USE ONLY EXACT REPLACEMENT PARTS TO PREVENT HYDRAULIC FAILURE. BEFORE REPLACING THESE PARTS, REVIEW AND FOLLOW THE INSTRUCTIONS IN THE SAFETY AND OPERATING SECTIONS OF THIS MANUAL.

I0005497
PR: t05g30m51b0012

9421 TWO SECTION FOLDING DRILL
SERVICE PARTS

CENTER LIFT SPINDLE & TIRE ASSEMBLY



**9421 TWO SECTION FOLDING DRILL
SERVICE PARTS**

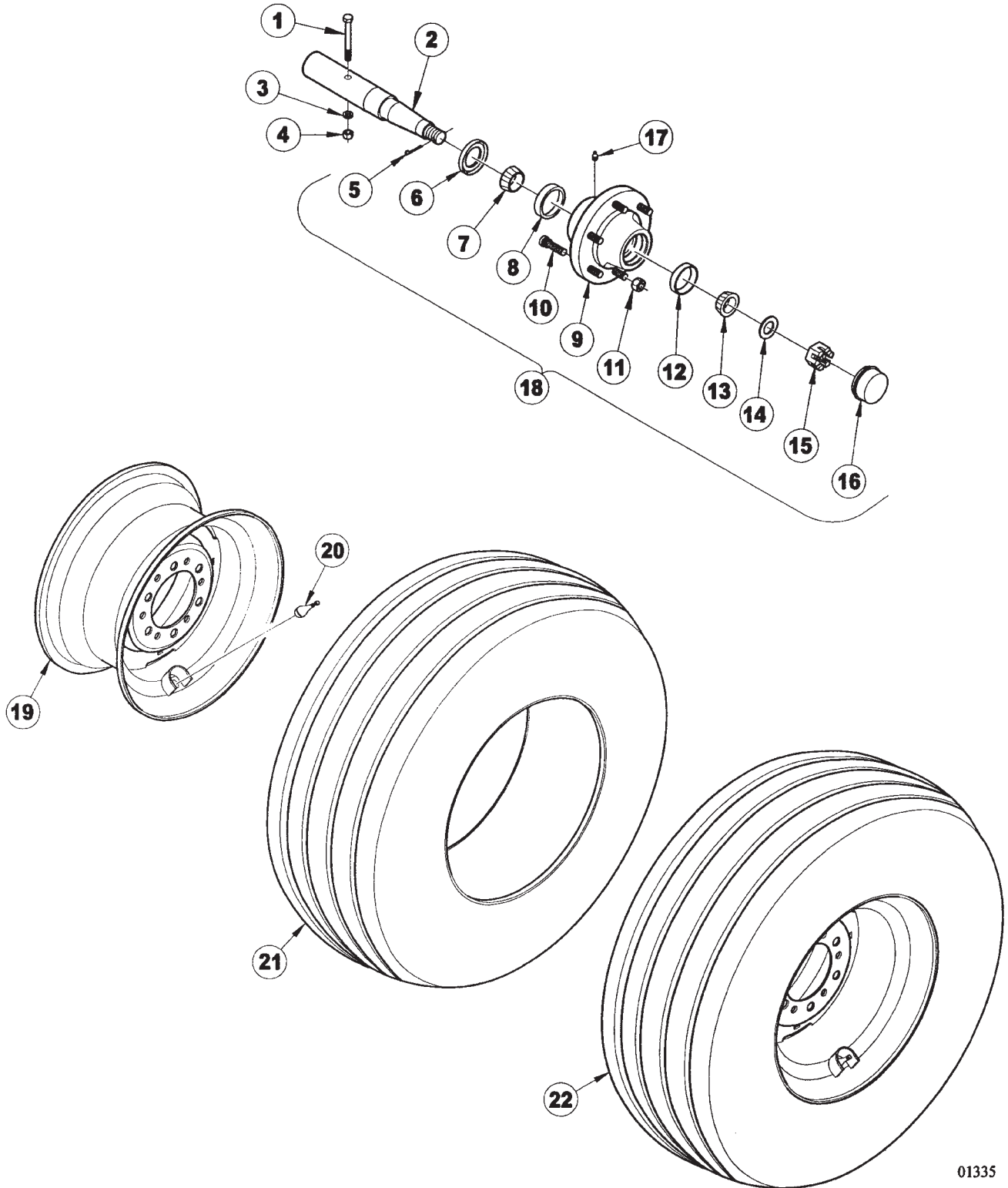
31

CENTER LIFT SPINDLE & TIRE ASSEMBLY

ITEM	NUMBER	QTY	DESCRIPTION
1	SN2569		HEX BOLT, 7/16"-14 X 4", GR 5, Y/D
2	SN3687		SPINDLE, 2 1/4" X 14"
3	SN302		LOCK WASHER, 7/16" SPLIT TYPE MED, Y/D
4	SN303		HEX NUT, 7/16"-14 FULL, GR 2, Y/D
5	SN3066		COTTER PIN, 7/32" X 1 1/2"
6	SN3301		TRIPLE LIP SEAL
7	SN3683		BEARING(LM603049)
8	SN3684		RACE (LM603011)
9	SN3685		EIGHT BOLT HUB, STUDDED W/CUPS ZERK AND LUG NUTS, P (ITEMS 5 THRU 16)
10	SN3118		LUG BOLT, 9/16"-18 X 1 7/8" PRESS IN, PL
11	SN3117		LUG NUT, 9/16"-18, GR 5, 90 DEG TAPER, Y/D
12	SN1605		RACE (LM67010)
13	SN1606		BEARING (LM67048)
14	SN3303		WASHER, 1 1/32" ID X 1 3/4" ODX 1/8" THICK, PLAIN
15	SN3302		HEX NUT, 1"-14 FULL SLOTTED GR 2, PLAIN
16	SN1610		DUST CAP, 2.448" OD, Y/D
17	SN3686		8 BOLT HUB ASSEMBLY
18	SN3688Y		WHEEL, 15 X 10, 8 BOLT
19	SN3577		VALVE STEM
20	SN3581		TIRE, 11L X 15, 12-PLY TUBELESS
21	SN5228		TIRE, 11L 12 PLY TUBELESS W/15 X 10 WHEEL ASSY 8 BOLT

I0003734
PR: t05g30m51b0013

WING LIFT SPINDLE & TIRE ASSEMBLY



**9421 TWO SECTION FOLDING DRILL
SERVICE PARTS**

33

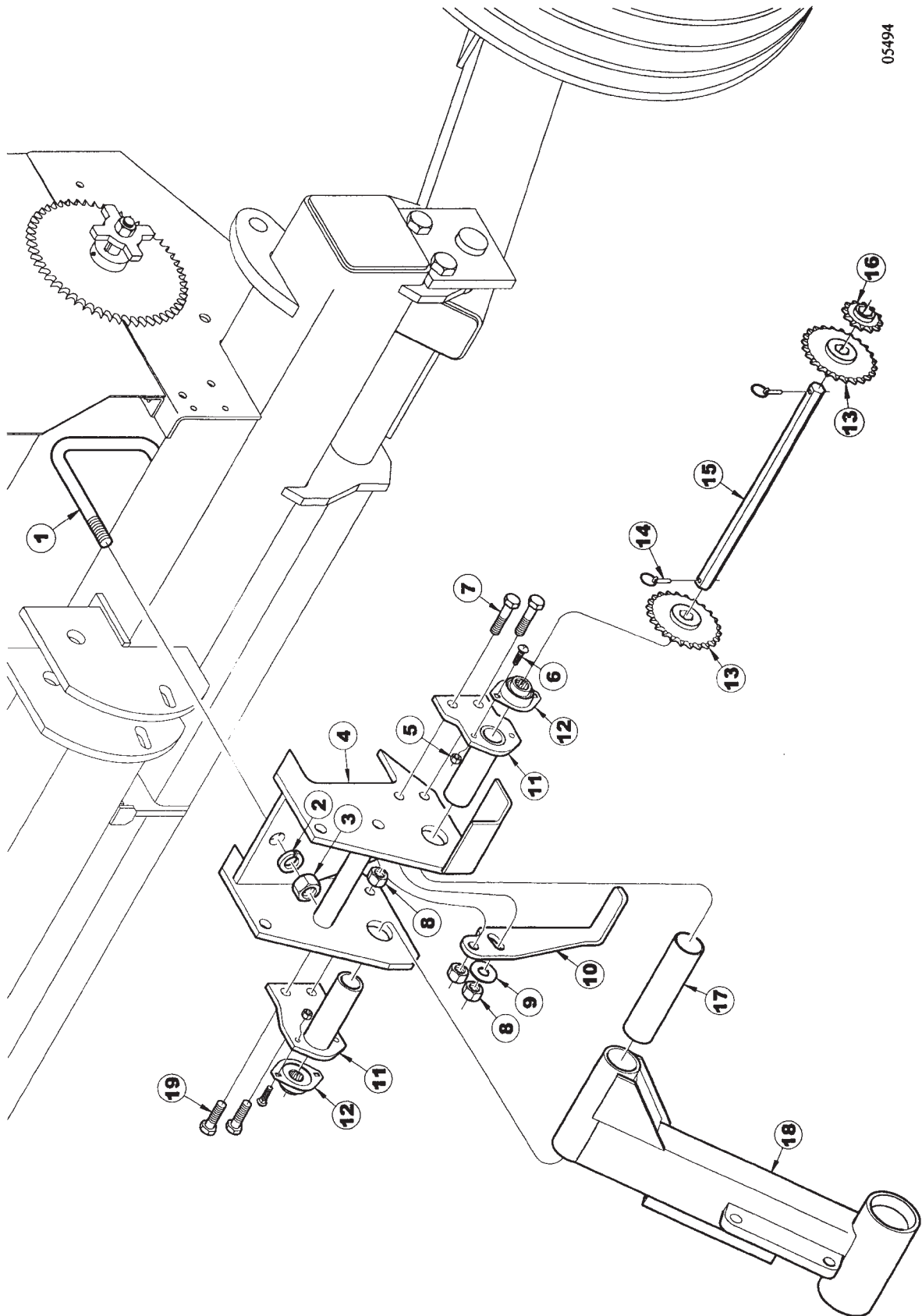
WING LIFT SPINDLE & TIRE ASSEMBLY

ITEM	NUMBER	QTY	DESCRIPTION
1	SN2585		HEX BOLT, 7/16"-14 X 3 1/2", GR 5, Y/D
2	SN3298		SPINDLE, 2" X 11 1/4"
3	SN302		LOCK WASHER, 7/16" SPLIT TYPE MED, Y/D
4	SN303		HEX NUT, 7/16"-14 FULL, GR 2, Y/D
5	SN3066		COTTER PIN, 7/32" X 1 1/2"
6	SN3301		TRIPLE LIP SEAL
7	SN1935		INNER BEARING (LM501349)
8	SN1936		INNER RACE (LM501310)
9	SN1937		SIX BOLT HUB, STUDED W/CUPS AND LUG NUTS, PAINTED
10	SN3118		LUG BOLT, 9/16"-18 X 1 7/8" PRESS IN, PL
11	SN3117		LUG NUT, 9/16"-18, GR 5, 90 DEG TAPER ,Y/D
12	SN1605		OUTER RACE (LM67010)
13	SN1606		OUTER BEARING (LM67048)
14	SN3303		WASHER, 1 1/32" ID X 1 3/4" ODX 1/8" THICK, PLAIN
15	SN3302		HEX NUT, 1"-14 FULL SLOTTED GR 2, PLAIN
16	SN1610		DUST CAP, 2.448" OD, Y/D
17	SN2098-6		GREASE ZERK, 1/4"-28, 17/32" L
18	SN3300		SIX BOLT HUB ASSEMBLY W/3301 SEAL (INCLUDES ITEMS 5-16)
19	SN5094		WHEEL, 15 X 6, 6-BOLT
20	SN3577		VALVE STEM
21	SN3578		TIRE, 9.5L X 15, 8 PLY, TUBELESS
22	SN5151		TIRE, 9.5L 8 PLY TUBELESS W/15 X 6 WHEEL ASSY 6 BOLT

I0001335
PR: t05g30m51b0014

9421 TWO SECTION FOLDING DRILL
SERVICE PARTS

GAUGE WHEEL ASSEMBLY



**9421 TWO SECTION FOLDING DRILL
SERVICE PARTS**

35

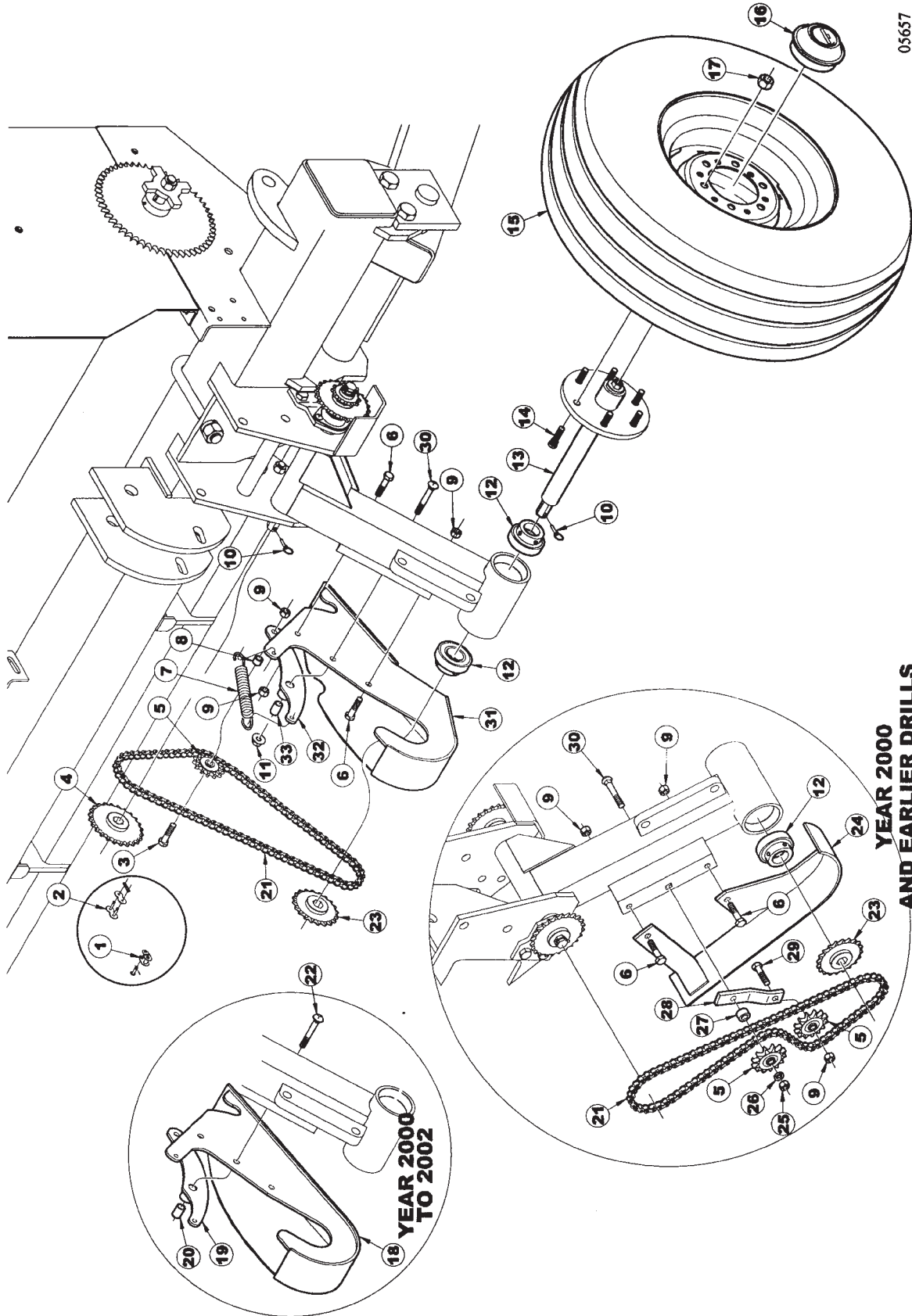
GAUGE WHEEL ASSEMBLY

ITEM	NUMBER	QTY	DESCRIPTION
1	SN7070		U-BOLT, 1"-8 X 9" X 8 1/16" W, GR 5, Y/D
2	SN1283		LOCK WASHER, 1" SPLIT TYPE MED, Y/D
3	SN110		HEX NUT, 1"-8 FULL, GR 5, Y/D
4	SN9132		MOUNT, GAUGE WHEEL, RT
	SN9133		MOUNT, GAUGE WHEEL, LT (SHOWN)
5	SN6378		LOCK NUT, 5/16" HEX NYLON INSERT GR 5, Y/D
6	SN6376		CARRIAGE BOLT, 5/16"-18 X 1" GR 5, Y/D
7	SN1298		HEX BOLT, 5/8"-11 X 2 1/2", GR 5, Y/D
8	SN669-1		LOCK NUT, 5/8" HEX NYLON INSERT, GR 5, Y/D
9	SN2089		FLAT WASHER, 5/8", Y/D
10	SN10292		ARM, WHEEL STOP RIGHT
	SN10293		ARM, WHEEL STOP LEFT
11	SN9029		PIVOT BRACKET, GAUGE WHEEL
12	SN9081		BEARING, 7/8" HEX BORE
13	SN9079		SPROCKET, 24 TOOTH, 7/8" HEX BORE
14	SN9083		KLIK PIN, 1/4" DIA X 2 1/8"
15	SN9146		JACKSHAFT, 7/8" HEX, 18" L
16	SN9078		SPROCKET, 12 TOOTH, 7/8" HEX BORE
17	SN9137		BUSHING, 2" OD X 1 3/4" ID, 8"L, PLASTIC
18	SN9129		GAUGE WHEEL AXLE, RT
	SN9130		GAUGE WHEEL AXLE, LT (SHOWN)
19	SN670		HEX BOLT, 5/8"-11 X 2", GR 5, Y/D

I0005494
PR: t05g30m51b0015

9421 TWO SECTION FOLDING DRILL
SERVICE PARTS

LOWER GAUGE WHEEL ASSEMBLY



**9421 TWO SECTION FOLDING DRILL
SERVICE PARTS**

37

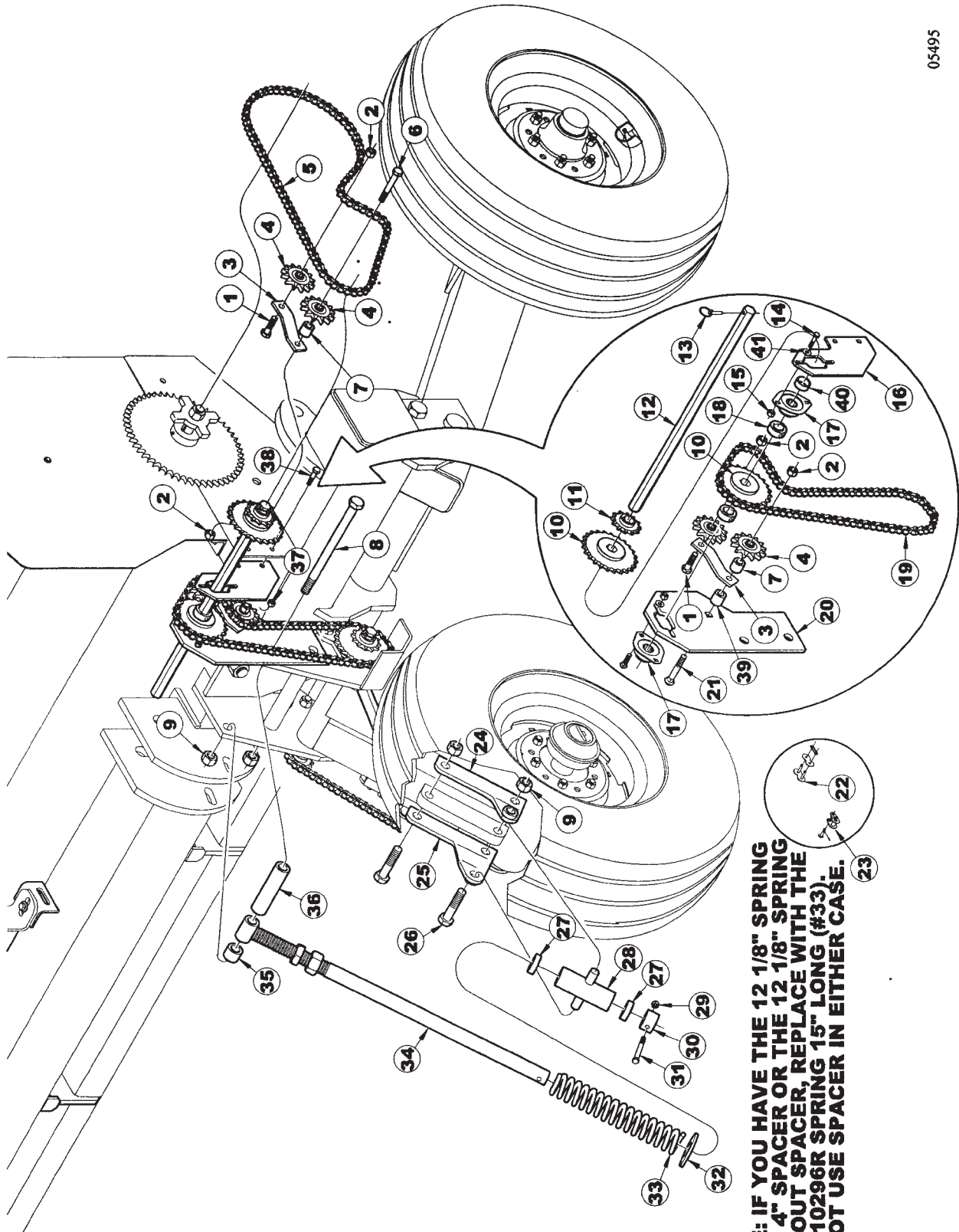
LOWER GAUGE WHEEL ASSEMBLY

ITEM	NUMBER	QTY	DESCRIPTION
1	SNDR41007		LINK, SINGLE OFFSET #50 CHAIN
2	SNDR41008		LINK, SINGLE CONNECTING #50 CHAIN
3	SN112		HEX BOLT, 1/2"-13 X 2 1/2", GR 5, Y/D
4	SN9079		SPROCKET, 24 TOOTH, 7/8" HEX BORE
5	SNDR80029		SPROCKET, IDLER
6	SN1823		HEX BOLT, 1/2"-13 X 1 1/4", GR 5, Y/D
7	SN10325		SPRING, .105" WIRE DIA X 4 3/4" L EXTENSION Y/D
8	SN9886		BUSHING, 3/4" OD X 1/2" ID, 17/32" L
9	SN2096		LOCK NUT, 1/2"-13 HEX NYLON INSERT
10	SN9083		KLIK PIN, 1/4" DIA X 2 1/8"
11	SN9683		HFN 1/2"-13 GR5 Y/D
12	SNDR30022		BEARING, 1 1/2" BORE W/LOCK COLLAR
13	SN9136		SPINDLE, GAUGE WHEEL, 6 BOLT HUB
14	SN7784		SHOULDER BOLT, 1/2"-20 X 1 7/8" PRESS IN 3/8" SHOULDER
15	SN5151		TIRE, 9.5L 8 PLY TUBELESS W/15 X 6 WHEEL ASSY 6 BOLT
	SN3578		TIRE, 9.5L X 15, 8 PLY, TUBELESS
	SN5094		WHEEL, 15 X 6, 6-BOLT
	SN3577		VALVE STEM
16	SNDR41517		ACREMETER, 9.5L/11L-15 X 20'
	SN9421		ACREMETER, 9.5L/11L-15 X 25'
	SNDR41518		ACREMETER, 9.5L/11L-15 X 30'
17	SN1611		LUG NUT, 1/2"-20, GR 5, 90 DEG TAPER, Y/D
18	SN9882		CHAIN GUARD, GW, LT
	SN9881		CHAIN GUARD, GW, RT
19	SN9884		IDLER BRACKET, LEFT
	SN9883		IDLER BRACKET, RIGHT
20	SN9887		BUSHING, 3/4" OD X 1/2" ID, 1 1/16" L
21	SN9177		CHAIN, 55 5/8" L NO. 50
22	SN9939		CARRIAGE BOLT, 1/2"-13 X 2 1/2", GR 5, Y/D
23	SN9080		SPROCKET, 20 TOOTH, 7/8" HEX BORE
24	SN9111		CHAIN GUARD, GW, RT
	SN9112		CHAIN GUARD, GW, LT
25	SN114		HEX NUT, 1/2"-13 FULL, GR 2, Y/D
26	SN113		LOCK WASHER, 1/2" SPLIT TYPE MED, Y/D
27	SN9165		SPACER, IDLER SPROCKET, LOWER, 9/16" L
28	SN9160		IDLER BRACKET, LOWER
29	SN2045		HEX BOLT, 1/2"-13 X 1 3/4", GR5, Y/D
30	SN9178		CARRIAGE BOLT, 1/2"-13 X 3", GR 5, Y/D
31	SN10359		GUARD, CHAIN LEFT
	SN10358		GUARD, CHAIN RIGHT
32	SN10357		IDLER WELDMENT, CHAIN LEFT
	SN10356		IDLER WELDMENT, CHAIN RIGHT
33	SN10355		BUSHING, IDLER .750" OD X .532" ID, 1 9/16" L

I0005657
PR: t05g30m51b0016

TURNBUCKLE & UPPER GAUGE WHEEL DRIVE

05495



NOTE: IF YOU HAVE THE 12 1/8" SPRING WITH 4" SPACER OR THE 12 1/8" SPRING WITHOUT SPACER, REPLACE WITH THE NEW 10296R SPRING 15" LONG (#33). DO NOT USE SPACER IN EITHER CASE.

**9421 TWO SECTION FOLDING DRILL
SERVICE PARTS**

39

TURNBUCKLE & UPPER GAUGE WHEEL DRIVE

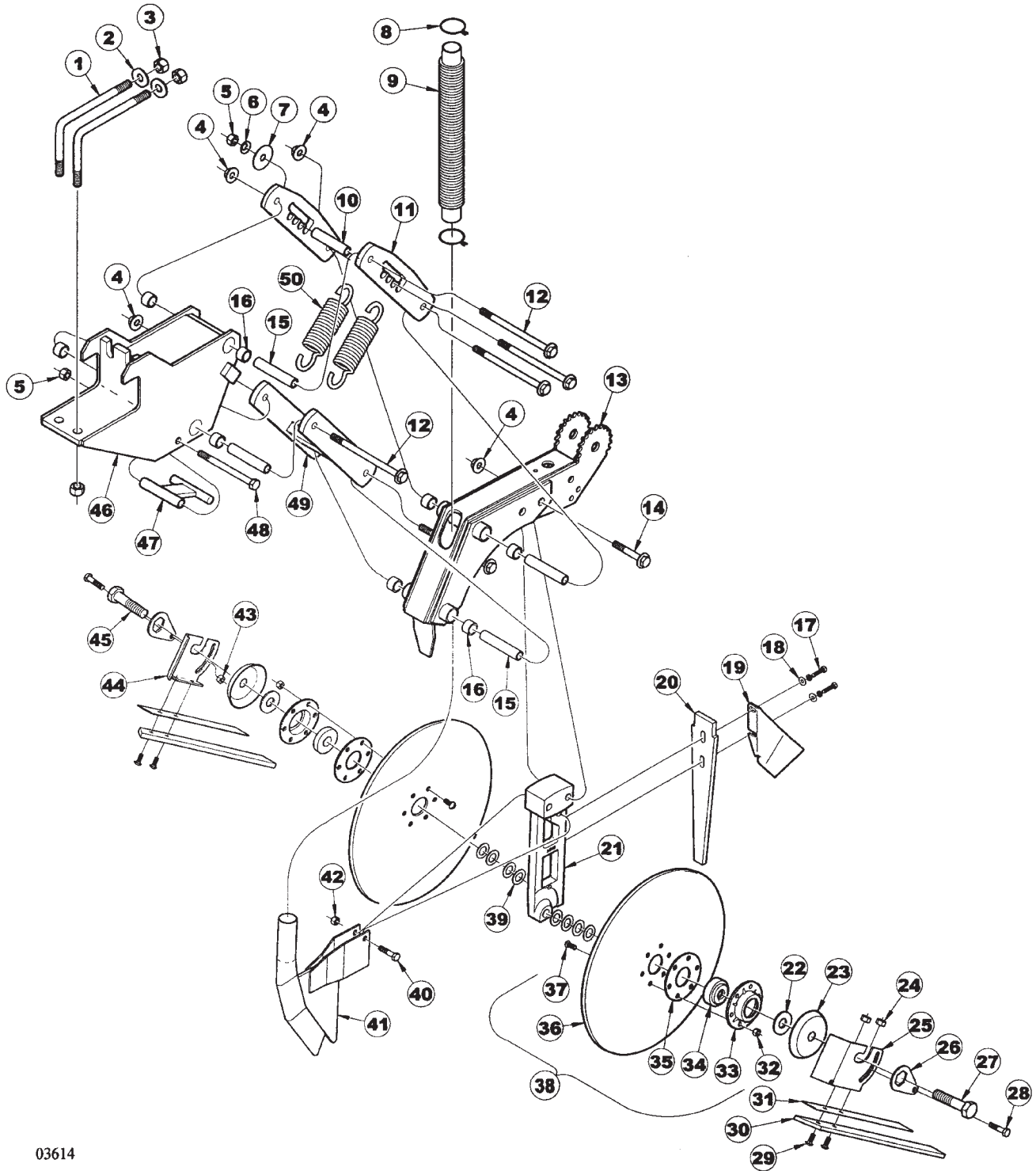
ITEM	NUMBER	QTY	DESCRIPTION
1	SN2045		HEX BOLT, 1/2"-13 X 1 3/4", GR5, Y/D
2	SN2096		LOCK NUT, 1/2"-13 HEX NYLON INSERT, GR 8, Y/D
3	SN9161		IDLER BRACKET, UPPER
4	SNDR80029		SPROCKET, IDLER
5	SN9414		CHAIN, 61 7/8" L NO. 50
6	SN156		HEX BOLT, 1/2"-13 X 3", GR 5 Y/D
7	SN9166R		SPACER, IDLER SPROCKET, UPPER, 7/8" L
8	SN2154		HEX BOLT, 3/4"-10 X 10 1/2", GR 5, Y/D
9	SNHEN3410		LOCK NUT, 3/4" HEX NYLON INSERT, GR 5, Y/D
10	SN9079		SPROCKET, 24 TOOTH, 7/8" HEX BORE
11	SN9078		SPROCKET, 12 TOOTH, 7/8" HEX BORE
12	SN9148		JACKSHAFT, 7/8" HEX, 24" L (20')
	SN9150		JACKSHAFT, 7/8" HEX, 40" L (25' & 30')
13	SN9083		KLIK PIN, 1/4" DIA X 2 1/8"
14	SNDR10013		HEX BOLT, 5/16"-18 X 3/4" GR 5 Y/D
15	SN6378		LOCK NUT, 5/16" HEX NYLON INSERT GR 5, Y/D
16	SN9406		BEARING PLATE, 9" L
17	SN9081		BEARING, 7/8" HEX BORE
18	SN9082		SET COLLAR, 7/8" HEX BORE, Y/D
19	SN9413		CHAIN, 51 7/8" L NO. 50
20	SN9407		BEARING PLATE, 14 1/4" L
21	SN2485		CARRIAGE BOLT, 1/2"-13 X 4", GR 5, Y/D
22	SNDR41008		LINK, SINGLE CONNECTING #50 CHAIN
23	SNDR41007		LINK, SINGLE OFFSET #50 CHAIN
24	SN7519		BRACKET, GAUGE WHEEL LEFT
25	SN7518		BRACKET, GAUGE WHEEL RIGHT
26	SN1345		HEX BOLT, 3/4"-10 X 3", GR 5, Y/D
27	SN7638R		SPACER TUBE, 1/2"
28	SN7517		CROSS, GAUGE WHEEL
29	SN3567		LOCK NUT, 3/8"-16 HEX NYLON INSERT, GR 2, Y/D
30	SNB2610		COLLAR, 1.750" OD X 1.270" ID, 1" L
31	SN2487		HEX BOLT, 3/8"-16 X 2 1/2", GR 5, Y/D
32	SNFK150172		FLAT WASHER, 1 1/4" SAE, Y/D
33	SN10296		* SPRING, 2.1875" OD X 1.4375" ID X 15" L, COMPRESSION .375" DIA
34	SNB4103		TURNBUCKLE SCREW, Y/D
35	SN9164		SPACER, GW MOUNT, 1" L
36	SN9163		SPACER, GW MOUNT, 5 1/8" L
37	SN3567		LOCK NUT, 3/8"-16 HEX NYLON INSERT, GR 2, Y/D
38	SN178		HEX BOLT, 3/8"-16 X 1", GR 5, Y/D
39	SN9167R		SPACER, IDLER SPROCKET, INTER-MEDIATE, 1" L
40	SN4844		SPACER, 1/2"
41	SN6377		FLAT WASHER, 5/16" Y/D

*NOTE: IF YOU HAVE THE 12 1/8" SPRING WITH 4" SPACER OR THE 12 1/8" SPRING WITHOUT SPACER, REPLACE WITH THE NEW 10296R SPRING 15" LONG (#33). DO NOT USE THE SPACER IN EITHER CASE.

I0005495
PR: t05g30m51b0017

9421 TWO SECTION FOLDING DRILL
SERVICE PARTS

ALL PURPOSE OPENER ASSEMBLY (YEAR 2000 &
EARLIER DRILLS)



9421 TWO SECTION FOLDING DRILL

41

SERVICE PARTS

**ALL PURPOSE OPENER ASSEMBLY (YEAR 2000 &
EARLIER DRILLS)**

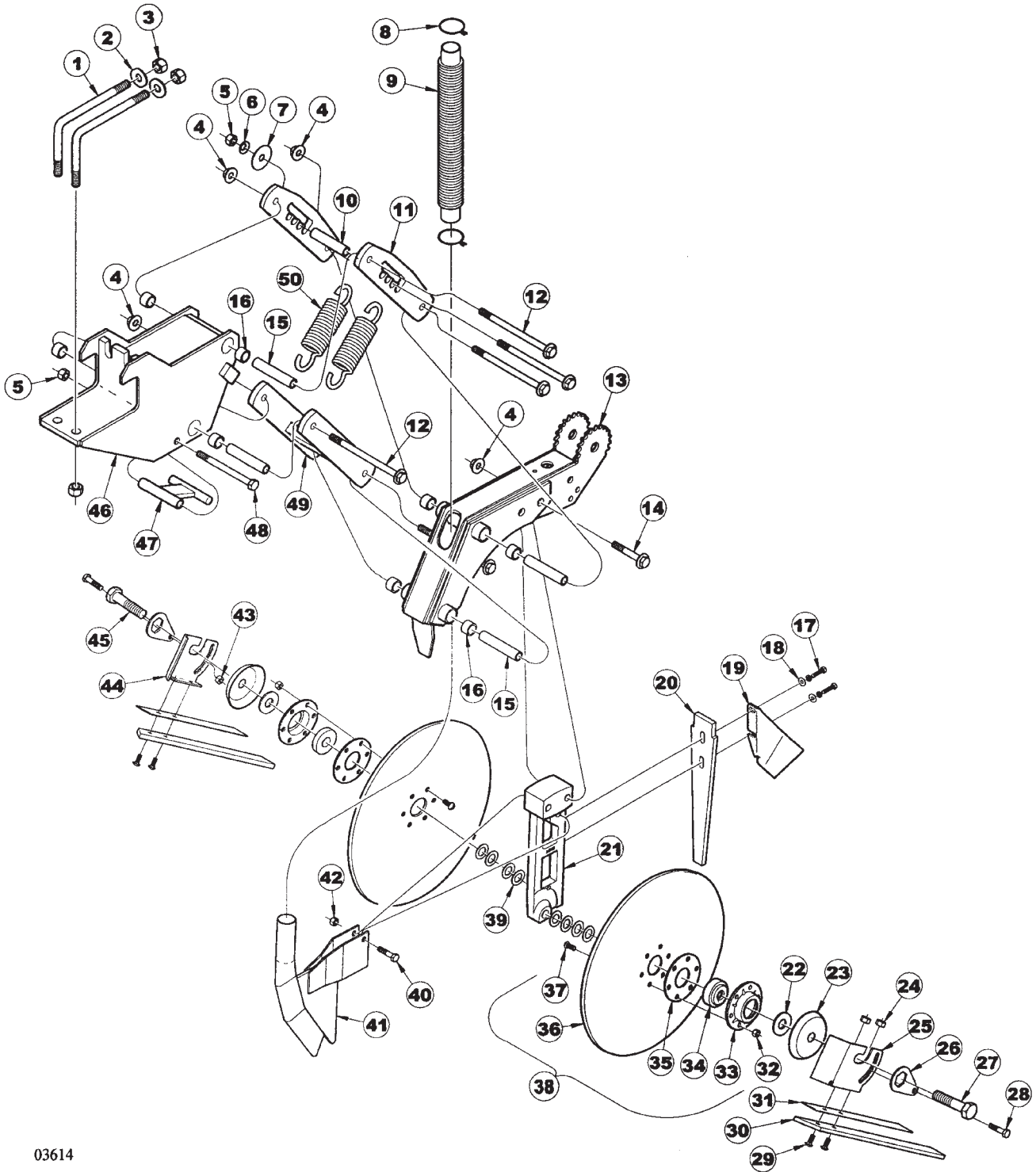
ITEM	NUMBER	QTY	DESCRIPTION
1	SN7024		L-BOLT, 5/8"-11 X 4 5/8" X 6 5/8", Y/D
2	SNFK150283		FLAT WASHER, 5/8" SAE, Y/D
3	SN669-1		LOCK NUT, 5/8" HEX NYLON INSERT, GR 5, Y/D
4	SN9683		1/2"-13 FLANGE TOPLOCK NUT GR G CAD/WAX
5	SN2096		LOCK NUT, 1/2"-13 HEX NYLON INSERT
6	SN6618		WASHER, .531" ID X .813" OD, .129" CROWN HEIGHT, CURVED
7	SN6619		WASHER, .531" ID X 2.000" OD X .058" THICK, Y/D
8	SNDR12011		CLAMP, SEED TUBE
9	SNDR20004		SEED TUBE, RUBBER
10	SN7033B		SPACER TUBE, 4 1/2" L, ALL PURPOSE
11	SN7032		PARALLEL LINKAGE, 11" TOP, ALL PURPOSE
12	SN9680		HHFS 1/2"-13 X 6 1/2" GR5 Y/D
13	SN7034B		OPENER FRAME, ALL PURPOSE
14	SN9682		HHFS 1/2"-13 X 3 3/4" GR5 Y/D
15	SN7029		CLAMP BUSHING, 4 21/32"
16	SN5935		BUSHING, 1" OD X 3/4" ID, 5/8" L (HARD) SPRING
17	SN3722		HEX BOLT, 5/16"-18 X 1", GR 5, Y/D
18	SN6377		FLAT WASHER, 5/16" Y/D
19	SN7803		SCRAPER, SHORT RIGID
	SN7804		SCRAPER, LONG RIGID
20	SN7202		TRASH DEFLECTOR
21	SN7272		OPENER BAR, ALL PURPOSE (LONG) (SHOWN)
	SN7271		OPENER BAR, ALL PURPOSE (SHORT)
22	SN893		FLAT WASHER, 3/4" Y/D
23	SNB1127		DUST CAP
24	SN6378		LOCK NUT, 5/16" HEX NYLON INSERT GR 5, Y/D
25	SN7205		MOUNTING BRACKET, SOIL CONTROL DEVICE LEFT
26	SN7203		LOCKING ARM
27	SNDR81044		HEX BOLT, 3/4"-10 LH X 2", GR 5, Y/D
28	SN1193		HEX BOLT, 3/8"-16 X 3/4", GR 5, Y/D
29	SN6376		CARRIAGE BOLT, 5/16"-18 X 1" GR 5, Y/D
30	SN7201		SOIL CONTROL STRIP
31	SN7859		SUPPORT, SOIL CONTROL STRIP
32	SNDR10508		LOCK NUT, 5/16"-18 HEX CENTER GR 2, Y/D
33	SNB1120		BEARING FLANGE, 6 HOLE, Y/D
34	SNDR30005		BEARING
35	SNB5000		BEARING PLATE, 6 HOLE, Y/D
36	SN7176		15" BLADE, 1 1/2" BORE 3.5 MM 6 BOLT
37	SN6514		CAP SCREW, 5/16"-18 X 3/4" BUTTON SOCKET HEAD, GR 8 BLACK
38	SN7261		OPENER BLADE & BRG ASSEMBLY, ALL PURPOSE
39	SNDR80011		WASHER, MACHINE
40	SN175		HEX BOLT, 3/8"-16 X 1 1/2", GR 5, Y/D
41	SN7038		SEED TUBE, ALL PURPOSE
42	SN3566		LOCK NUT, 3/8"-16 HEX CENTER, GR 2, Y/D

CONTINUED

I0003614
PR: t05g30m51b0018

9421 TWO SECTION FOLDING DRILL
SERVICE PARTS

ALL PURPOSE OPENER ASSEMBLY (YEAR 2000 &
EARLIER DRILLS)



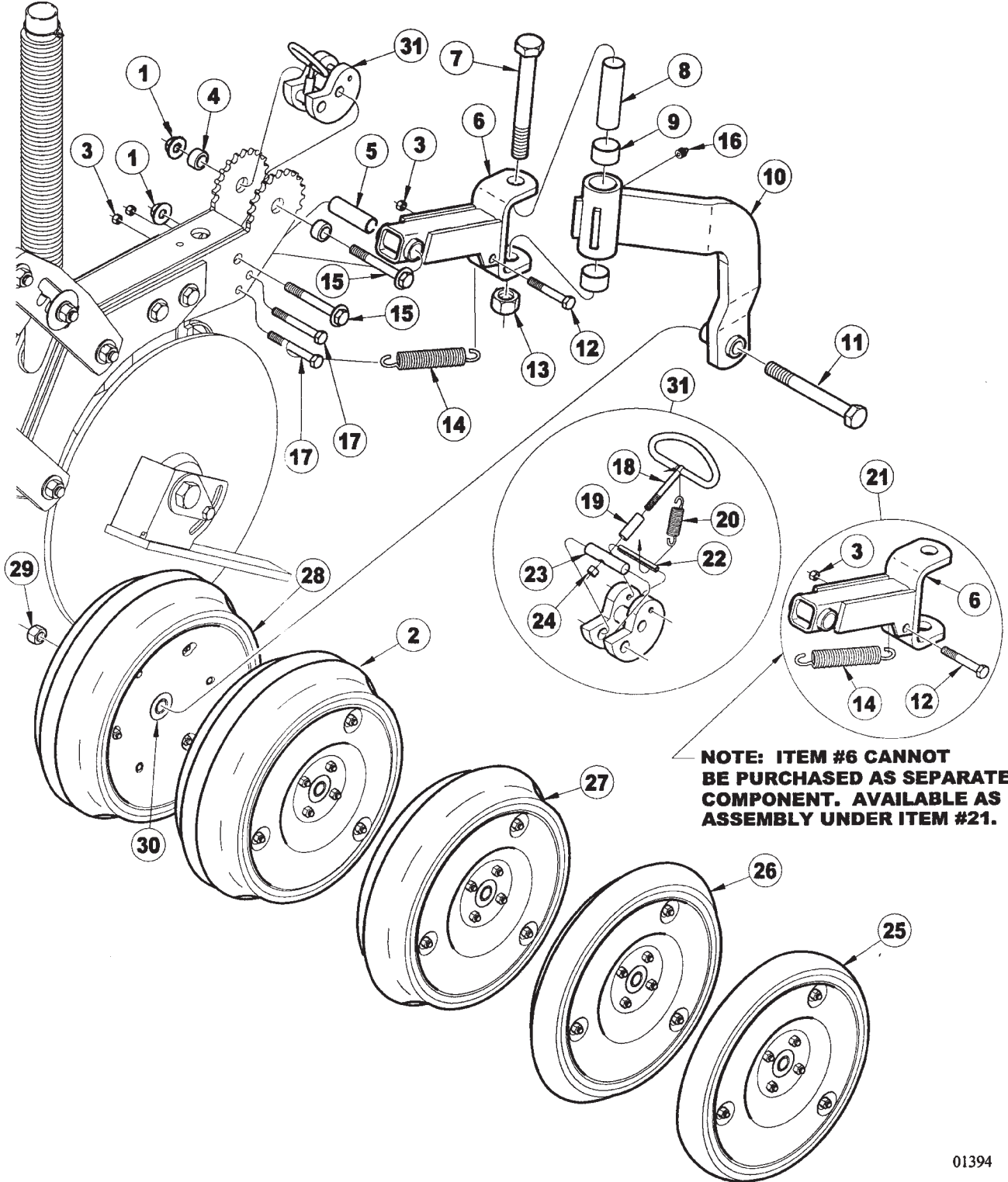
9421 TWO SECTION FOLDING DRILL**43****SERVICE PARTS****ALL PURPOSE OPENER ASSEMBLY (YEAR 2000 &
EARLIER DRILLS)**

ITEM	NUMBER	QTY	DESCRIPTION
43	SN3567		LOCK NUT, 3/8"-16 HEX NYLON INSERT, GR 2 Y/D
44	SN7204		MOUNTING BRACKET, SOIL CONTROL DEVICE RIGHT
45	SN1220		HEX BOLT, 3/4"-10 X 2", GR 5 Y/D
46	SN7028		OPENER MOUNT, LONG, ALL PURPOSE (SHOWN)
	SN7027		OPENER MOUNT, SHORT, ALL PURPOSE
47	SN7030B		SPRING ANCHOR, ALL PURPOSE
48	SN840		HEX BOLT, 1/2"-13 X 5 1/2", GR 5, Y/D
49	SN7031		PARALLEL LINKAGE, 11" LOWER, ALL PURPOSE
50	SN7026		SPRING, 1.6875" OD X 1.1635" ID, 7 5/16" L, EXTENSION
	SN9105		ALL PURPOSE OPENER ASSEMBLY, SHORT RIGID (INCLUDES ALL ABOVE ITEMS AND THE ALL PURPOSE PRESS WHEEL FRAME ASSEMBLY, LESS THE PRESS WHEELS)
	SN9106		ALL PURPOSE OPENER ASSEMBLY, LONG RIGID (INCLUDES ALL ABOVE ITEMS AND THE ALL PURPOSE PRESS WHEEL FRAME ASSEMBLY, LESS THE PRESS WHEELS)

I0003614
PR: t05g30m51b0018

9421 TWO SECTION FOLDING DRILL
SERVICE PARTS

ALL PURPOSE OPENER PRESS WHEEL ASSY
(YEAR 2000 & EARLIER DRILLS)



**9421 TWO SECTION FOLDING DRILL
SERVICE PARTS**

45

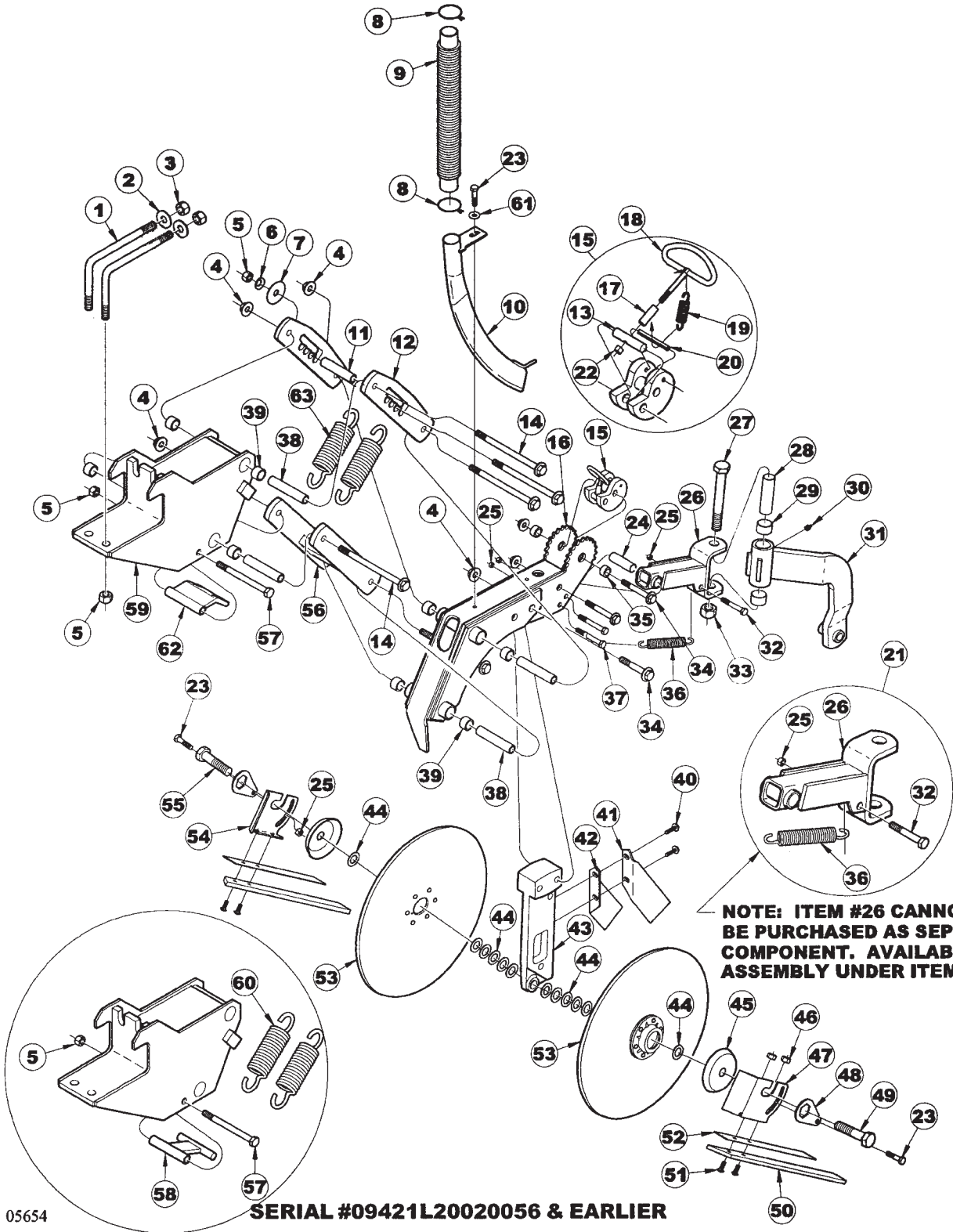
**ALL PURPOSE OPENER PRESS WHEEL ASSY
(YEAR 2000 & EARLIER DRILLS)**

ITEM	NUMBER	QTY	DESCRIPTION
1	SN9683		HFN 1/2"-13 GR5 Y/D
2	SN7375		PRESS WHEEL ASSEMBLY, 3" X 13", DOUBLE RIB STEEL RIM
3	SN3567		LOCK NUT, 3/8"-16 HEX NYLON INSERT, GR 2, Y/D
4	SN7384		BUSHING, DEPTH CONTROL, 1/2"
5	SN7042		CLAMP BUSHING,.750" OD X .532" ID, 109 W 2 5/64" L
6	SN7041		PRESS WHEEL FRAME, SWIVEL
7	SN1021		3/4" X 5 1/2" HEX BOLT
8	SN7043		CLAMP BUSHING, 1" O.D. X .760" I.D., 3 5/8" L.
9	SN5934		SPRING BUSHING, 1 1/4" O.D. X 1" I.D., 5/8" L.
10	SN9101		PRESS WHEEL FRAME, REAR, ALL PURPOSE
11	SN2557		5/8" X 4 1/2" HEX BOLT
12	SN2487		3/8" X 2 1/2" HEX BOLT
13	SNHEN3410		3/4" LOCK NUT
14	SN9708		SPRING, .162" WIRE DIA X 5" L EXTENSION
15	SN9682		HHFS 1/2"-13 X 3 3/4" GR5 Y/D
16	SN2098-1		GREASE ZERK, 1/8" NPTF, 5/8" L.
17	SN3806		3/8" X 3" HEX BOLT
18	SN7040		DEPTH LOCK
19	SN7085		DEPTH LOCK SPACER
20	SN7083		EXTENSION SPRING, .5" O.D. X .375" I.D., 1 1/2" L.
21	SN10333		PRESS WHEEL FRAME SWIVEL, W/SPRING, ALL PURPOSE
22	SN6440		1/4" X 1 3/4" MEDIUM DUTY ROLL PIN
23	SN7084		DEPTH LOCK PIN
24	SN3881		1/4" LOCK NUT
25	SN6867		2" X 13" SMOOTH CROWN STEEL RIM PRESS WHEEL ASSY.
26	SN6868		2" X 13" V-CROWN STEEL RIM PRESS WHEEL ASSY.
27	SN6866		3" X 13" CENTER RIB STEEL RIM PRESS WHEEL ASSY.
28	SN6869		4" X 12" DOUBLE RIB NYLON RIM PRESS WHEEL ASSY.
29	SN699-1		5/8" LOCK NUT
30	SN7218		BEARING, 40 MM
31	SN9102B		DEPTH CAM ASSEMBLY, ALL PURPOSE (ITEMS 18, 19, 20, 22, 23 & 24)
	SN9105		ALL PURPOSE OPENER ASSEMBLY, SHORT RIGID LESS PRESS WHEEL
	SN9106		ALL PURPOSE OPENER ASSEMBLY, LONG RIGID, LESS PRESS WHEEL

I0001394
PR: t05g30m51b0019

9421 TWO SECTION FOLDING DRILL
SERVICE PARTS

ALL PURPOSE HEADS UP OPENER (YEAR 2001
& LATER DRILLS)



NOTE: ITEM #26 CANNOT BE PURCHASED AS SEPARATE COMPONENT. AVAILABLE AS ASSEMBLY UNDER ITEM #21.

05654

SERIAL #09421L20020056 & EARLIER

**9421 TWO SECTION FOLDING DRILL
SERVICE PARTS**

47

**ALL PURPOSE HEADS UP OPENER (YEAR 2001
& LATER DRILLS)**

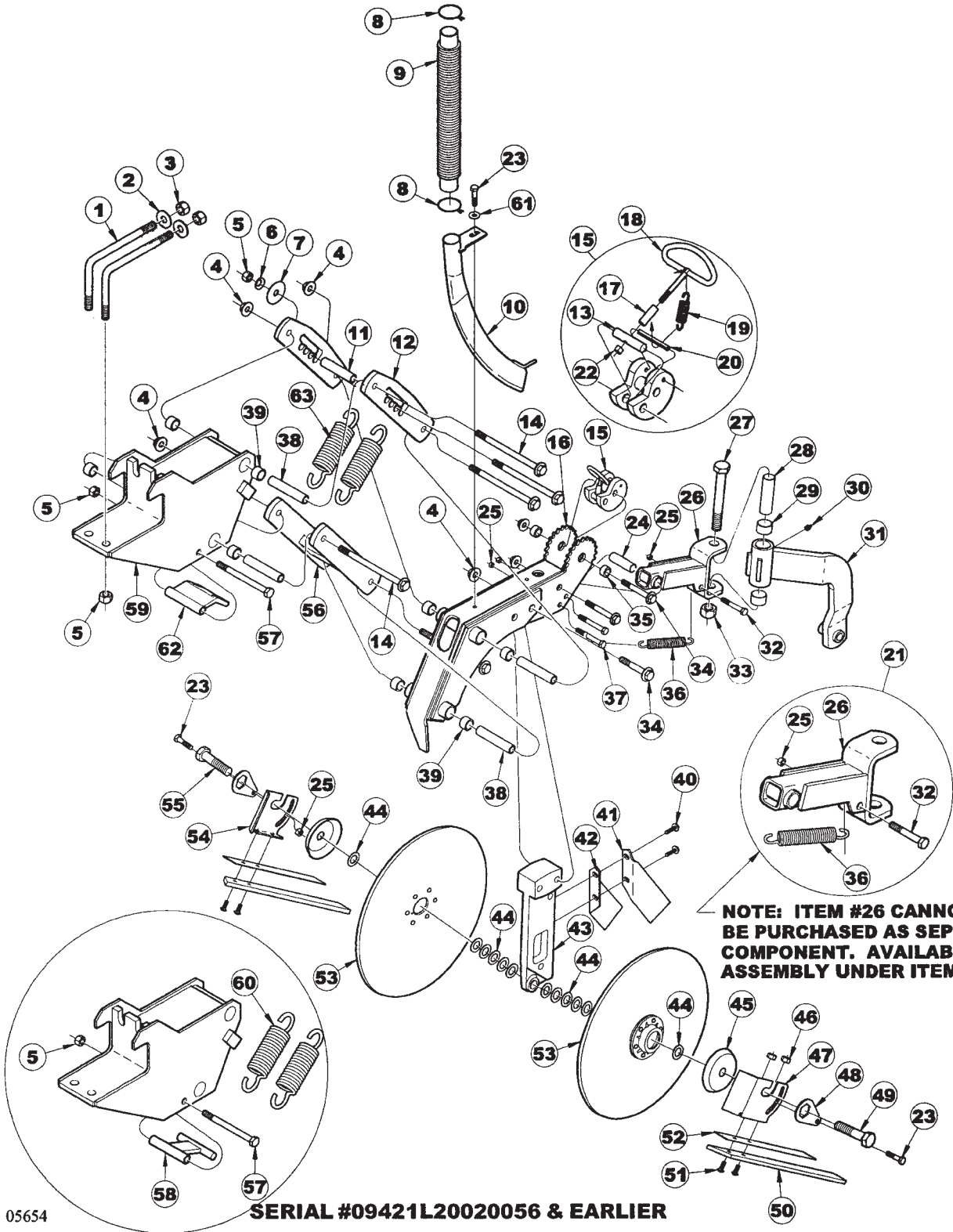
ITEM	NUMBER	QTY	DESCRIPTION
1	SN7024		L-BOLT, 5/8"-11 X 4 5/8" X 6 5/8", Y/D
2	SNFK150283		FLAT WASHER, 5/8" SAE, Y/D
3	SN669-1		LOCK NUT, 5/8" HEX NYLON INSERT, GR 5, Y/D
4	SN9683		1/2"-13 FLANGE TOPLOCK NUT GR G CAD/WAX
5	SN2096		LOCK NUT, 1/2"-13 HEX NYLON INSERT
6	SN6618		WASHER, .531" ID X .813" OD, .129" CROWN HEIGHT, CURVED SPRING
7	SN6619		WASHER, .531" ID X 2.000" OD X .058" THICK, Y/D
8	SNDR12011		CLAMP, SEED TUBE
9	SNDR20004		SEED TUBE, RUBBER
10	SN9937		SEED TUBE, ALL PURPOSE HEADS UP
11	SN7033B		SPACER TUBE, 4 1/2" L, ALL PURPOSE
12	SN7032		PARALLEL LINKAGE, 11" TOP, ALL PURPOSE
13	SN7084		DEPTH LOCK PIN, Y/D
14	SN9680		HHFS 1/2"-13 X 6 1/2" GR5 Y/D
15	SN9102		DEPTH CAM ASSY, ALL PURPOSE
16	SN7034B		OPENER FRAME, ALL PURPOSE
17	SN7085		SPACER, DEPTH LOCK, Y/D
18	SN7040		DEPTH LOCK, ALL PURPOSE, Y/D
19	SN7083		SPRING, .500" OD X .375" ID, 1 1/2" L EXTENSION
20	SN6440		ROLL PIN, 1/4" X 1 3/4" MEDIUM DUTY, Y/D
21	SN10333		PRESS WHEEL FRAME SWIVEL, W/SPRING, ALL PURPOSE
22	SN3881		LOCK NUT, 1/4"-20 HEX NYLON INSERT, GR 2 Y/D
23	SN1193		HEX BOLT, 3/8"-16 X 3/4", GR 5, Y/D
24	SN7042		CLAMP BUSHING, .750" OD X .532" ID, .109 W, 2 5/64" L
25	SN3567		LOCK NUT, 3/8"-16 HEX NYLON INSERT, GR 2, Y/D
26	SN7041		PRESS WHEEL FRAME, SWIVEL, ALL PURPOSE
27	SN1021		HEX BOLT, 3/4"-10 X 5 1/2", GR 5, Y/D
28	SN7043B		CLAMP BUSHING, 1" OD X .760" ID, .120" W, 3 5/8" L
29	SN5934		BUSHING, 1 1/4" OD X 1" ID, 5/8" L (HARD) SPRING
30	SN2098-1		GREASE ZERK, 1/8" NPTF, 5/8" L
31	SN9101		PRESS WHEEL FRAME, REAR, ALL PURPOSE (SERIAL # 09421F20020035 & EARLIER)
	SN7044		PRESS WHEEL FRAME, REAR, ALL PURPOSE (SERIAL # 09421F20020036 & LATER)
32	SN2487		HEX BOLT, 3/8"-16 X 2 1/2", GR 5, Y/D
33	SNHEN3410		LOCK NUT, 3/4" HEX NYLON INSERT
34	SN9682		HHFS 1/2"-13 X 3 3/4" GR5 Y/D

CONTINUED

I0005654
PR: t05g30m51b0020

9421 TWO SECTION FOLDING DRILL
SERVICE PARTS

ALL PURPOSE HEADS UP OPENER (YEAR 2001
& LATER DRILLS)



NOTE: ITEM #26 CANNOT BE PURCHASED AS SEPARATE COMPONENT. AVAILABLE AS ASSEMBLY UNDER ITEM #21.

05654

SERIAL #09421L20020056 & EARLIER

**9421 TWO SECTION FOLDING DRILL
SERVICE PARTS**

49

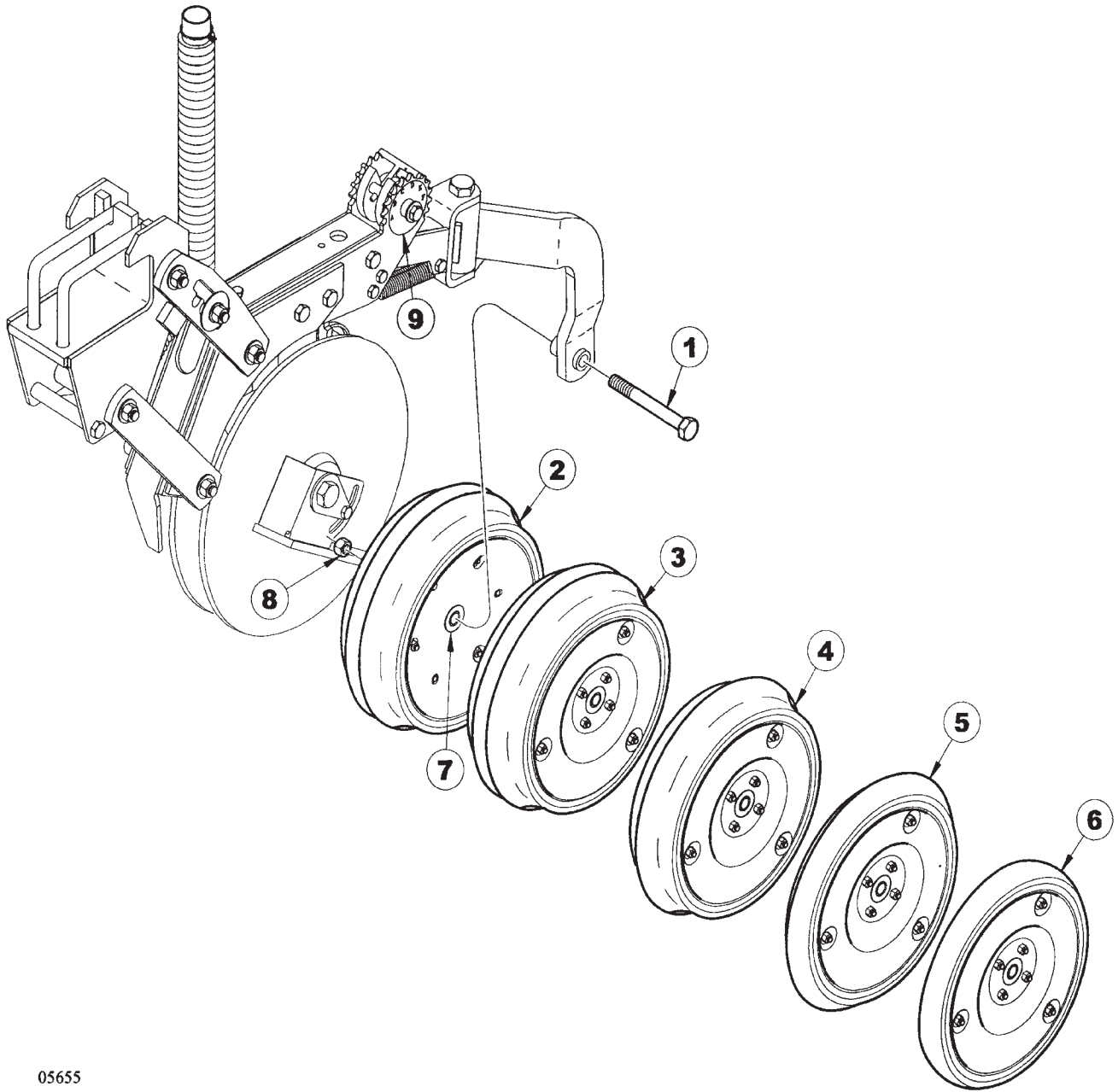
**ALL PURPOSE HEADS UP OPENER (YEAR 2001
& LATER DRILLS)**

ITEM	NUMBER	QTY	DESCRIPTION
35	SN7384		BUSHING, DEPTH CONTROL, 1/2"
36	SN9708		SPRING, .162" WIRE DIA X 5" L EXTENS
37	SN3806		HEX BOLT, 3/8"-16 X 3", GR 5, Y/D
38	SN7029		CLAMP BUSHING, 4 21/32"
39	SN5935		BUSHING, 1" OD X 3/4" ID, 5/8" L (HARD) SPRING
40	SN10463		HEX FLANGE BOLT, 5/16"-18 X 3/4" GR5, Y/D
41	SN10127		SCRAPER, OPENER, LEFT
42	SN10126		SCRAPER, OPENER, RIGHT
43	SN9780		OPENER BAR, ALL PURPOSE HEADS UP
44	SNDR80011		WASHER, MACHINE
45	SNB1127		DUST CAP
46	SN6378		LOCK NUT, 5/16" HEX NYLON INSERT, GR 5 Y/D
47	SN7205		MOUNTING BRACKET, SOIL CONTROL DEVICE LEFT
48	SN7203		LOCKING ARM
49	SNDR81044		HEX BOLT, 3/4"-10 LH X 2", GR 5, Y/D
50	SN7201		SOIL CONTROL STRIP
51	SN6376		CARRIAGE BOLT, 5/16"-18 X1" GR 5, Y/D
52	SN7859		SUPPORT, SOIL CONTROL STRIP
53	SN9753		OPENER BLADE & BRG ASSEMBLY, HEADS UP
54	SN7204		MOUNTING BRACKET, SOIL CONTROL DEVICE RIGHT
55	SN1220		HEX BOLT, 3/4"-10 X 2", GR 5 Y/D
56	SN10542		PARALLEL LINKAGE, 11" LOWER, ALL PURPOSE
57	SN840		HEX BOLT, 1/2"-13 X 5 1/2", GR 5, Y/D
58	SN7030		SPRING ANCHOR, ALL PURPOSE (SERIAL # 09421L20020056 & EARLIER)
59	SN7028		OPENER MOUNT, LONG, ALL PURPOSE
	SN7027		OPENER MOUNT, SHORT, ALL PURPOSE
60	SN7026		SPRING, 1.6875" OD X 1.1635" ID, 75/16" L, EXTENSION BLACK (SERIAL # 09421L20020056 & EARLIER)
61	SN317		FLAT WASHER, 3/8", Y/D
62	SN12348		SPRING ANCHOR, 56 DEG ALL PURPOSE, Y/D (SERIAL # 09421A20030001 & LATER)
63	SN10479		SPRING, 2.125"OD X 1.513"ID, 8 3/8" L, EXTENSION BLACK (SERIAL # 09421A20030001 & LATER)
*	SN7266		SOIL CONTROL DEVICE ASSY (INCLUDES ITEMS 23, 25, 48, 49, 50, 52, 53, 54, 56)
*	SN9879		ALL PURPOSE OPENER ASSEMBLY, HEADS UP, SHORT
*	SN9880		ALL PURPOSE OPENER ASSEMBLY, HEADS UP, LONG

I0005654
PR: t05g30m51b0020

9421 TWO SECTION FOLDING DRILL
SERVICE PARTS

HEADS UP OPENER PRESSWHEEL ASSEMBLY
(YEAR 2001 & LATER DRILLS)



9421 TWO SECTION FOLDING DRILL

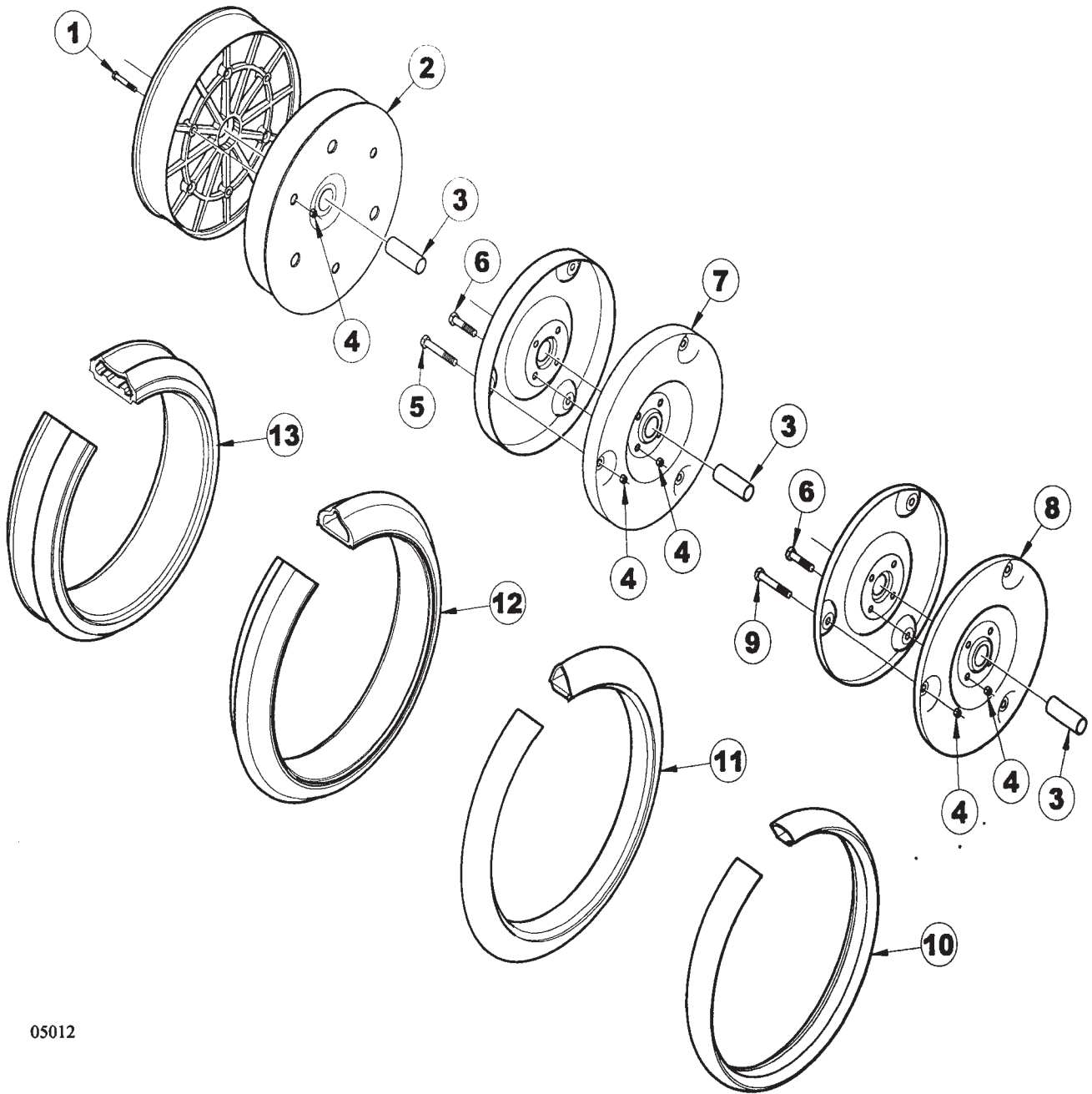
51

SERVICE PARTS**HEADS UP OPENER PRESS WHEEL ASSEMBLY
(YEAR 2001 & LATER DRILLS)**

ITEM	NUMBER	QTY	DESCRIPTION
1	SN2557		HEX BOLT, 5/8"-11 X 4 1/2", GR 5, Y/D
2	SN6869		PRESS WHEEL ASSY, 4" X 12" DOUBLE RIB NYLON RIM
3	SN7375		PRESS WHEEL ASSY, 3" X 13" DOUBLE RIB STEEL RIM
4	SN6866		PRESS WHEEL ASSY, 3" X 13" CENTER RIB STEEL RIM
5	SN6868		PRESS WHEEL ASSY, 2" X 13" V-CROWN STEEL RIM
6	SN6867		PRESS WHEEL ASSY, 2" X 13" SMOOTH CROWN STEEL RIM
7	SN7218		BEARING, 40MM
8	SN669-1		LOCK NUT, 5/8" HEX NYLON INSERT, GR 5 Y/D
9	SN997407		DEPTH DECAL

I0005655
PR: t05g30m51b0021

PRESS WHEEL & TIRE ASSEMBLY



9421 TWO SECTION FOLDING DRILL
SERVICE PARTS

53

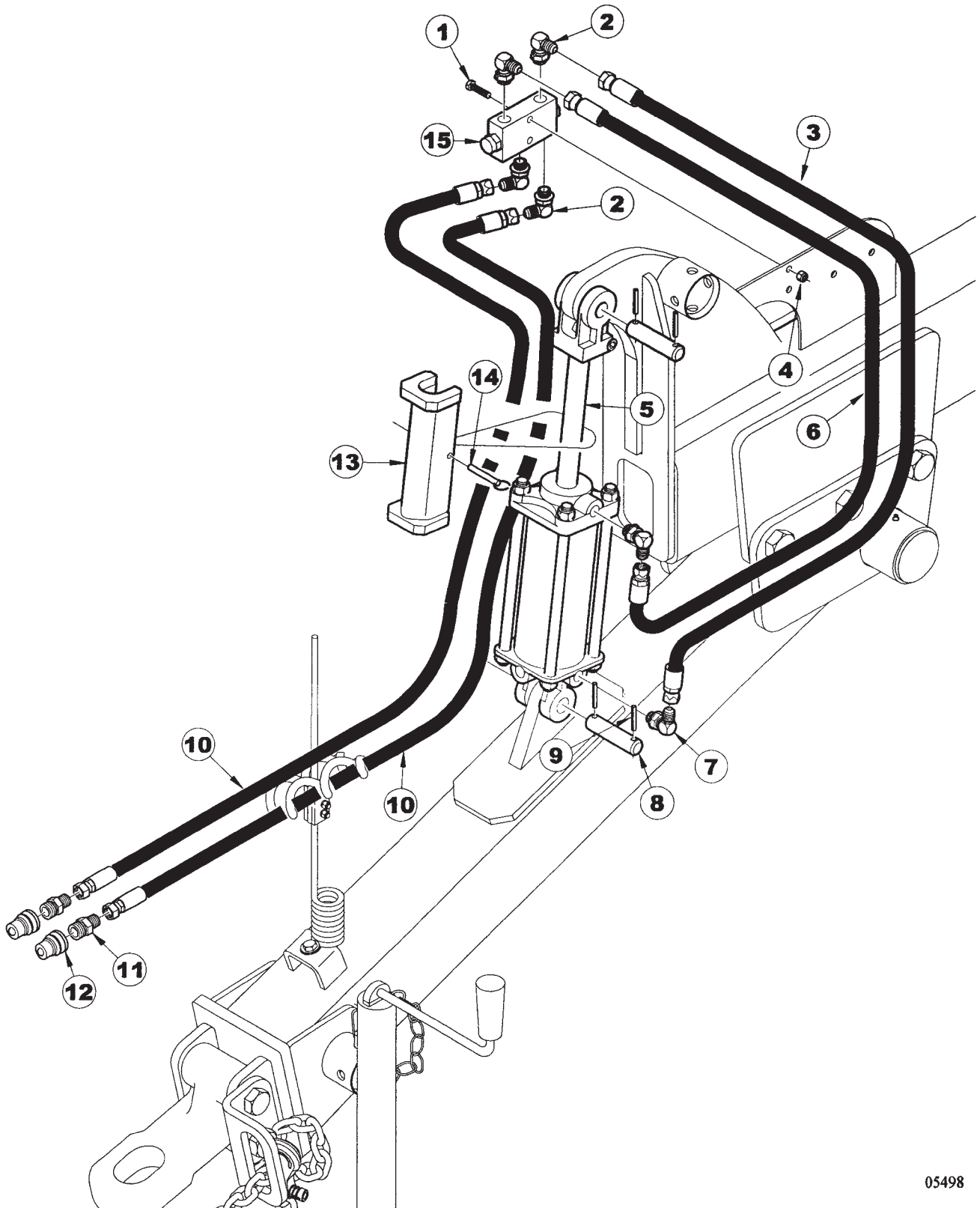
PRESS WHEEL & TIRE ASSEMBLY

ITEM	NUMBER	QTY	DESCRIPTION
1	SN7416		HEX BOLT, 1/4"-20 X 2", GR 5, Y/D
2	SN9109		RIM, 4" X 12" NYLON HALF F/40 MM BRG
3	SN7218		BEARING, 40MM
4	SN3881		LOCK NUT, 1/4"-20 HEX NYLON INSERT
5	SN2487		3/8"-16 X 2 1/2", GR 5
6	SN7415		HEX BOLT, 3/8"-16 X 1 3/8" GR 5, Y/D
7	SN7412		RIM, 3" X 13" 13 GA CLINCHER HALF
8	SN7413		RIM, 2" X 13" 13 GA CLINCHER HALF
9	SN175		HEX BOLT, 3/8"-16 X 1 1/2", GR 5
10	SN7411		TIRE, 2" X 13" SMOOTH CROWN CLINCH
11	SN7409		TIRE, 2" X 13" V-CROWN CLINCH
12	SN7410		TIRE, 3" X 13" CENTER RIB CLINCH
13	SN7407		TIRE, 3" X 13" DOUBLE RIB CLINCH
	SN7408		TIRE, 4" X 12" DOUBLE RIB

I0005012
PR: t05g30m51b0022

9421 TWO SECTION FOLDING DRILL
SERVICE PARTS

TONGUE HYDRAULICS



**9421 TWO SECTION FOLDING DRILL
SERVICE PARTS**

55

TONGUE HYDRAULICS

ITEM	NUMBER	QTY	DESCRIPTION
1	SN474		HEX BOLT, 3/8"-16 X 2", GR 5 Y/D
2	SN6935		90 DEGREE STRAIGHT THD ELBOW 9/16"-X 3/4"-16 MOR
3	SN4034011		HOSE, 1/4" X 34" L, 9/16"-18 F/ENDS
4	SN3567		LOCK NUT, 3/8"-16 HEX NYLON INSERT
5	SN4446R		CYLINDER, 3" X 8" (20 1/4"CPC) ORB CROSS (*VERSION 1, PRIOR TO 10/16/03)
	SN12049		CYLINDER, 3" X 8" (20 1/4"CPC) ORB CROSS 3000 PSI (*VERSION 2, 10/16/03 & LATER)
6	SN4024011		HOSE, 1/4" X 24" L, 9/16"-18 F/ENDS
7	SN6991		90 DEGREE STR THD ELBOW,9/16"-18 MF X 3/4"-16 MOR W/1/32" REST
8	SN5339		PIN, 1" X 4 1/16" (3"), Y/D
9	SN3164		ROLL PIN, 5/16" X 2" SPIRAL MEDIUM DUTY, Y/D
10	SN4104011		HOSE, 1/4" X 104" L, 9/16"-18 F/ENDS
11	SN6177		MALE CONNECTOR, 9/16"-18 M.F. X 1/2"-14 MPT
12	SN3253		HYDRAULIC COUPLER, MALE HALF
13	SN5275		TRANSPORT LOCK
14	SN5201		BALL LOCK PIN, 3/8" X 3" (2 5/8")
15	SN6737		VALVE, LOCK

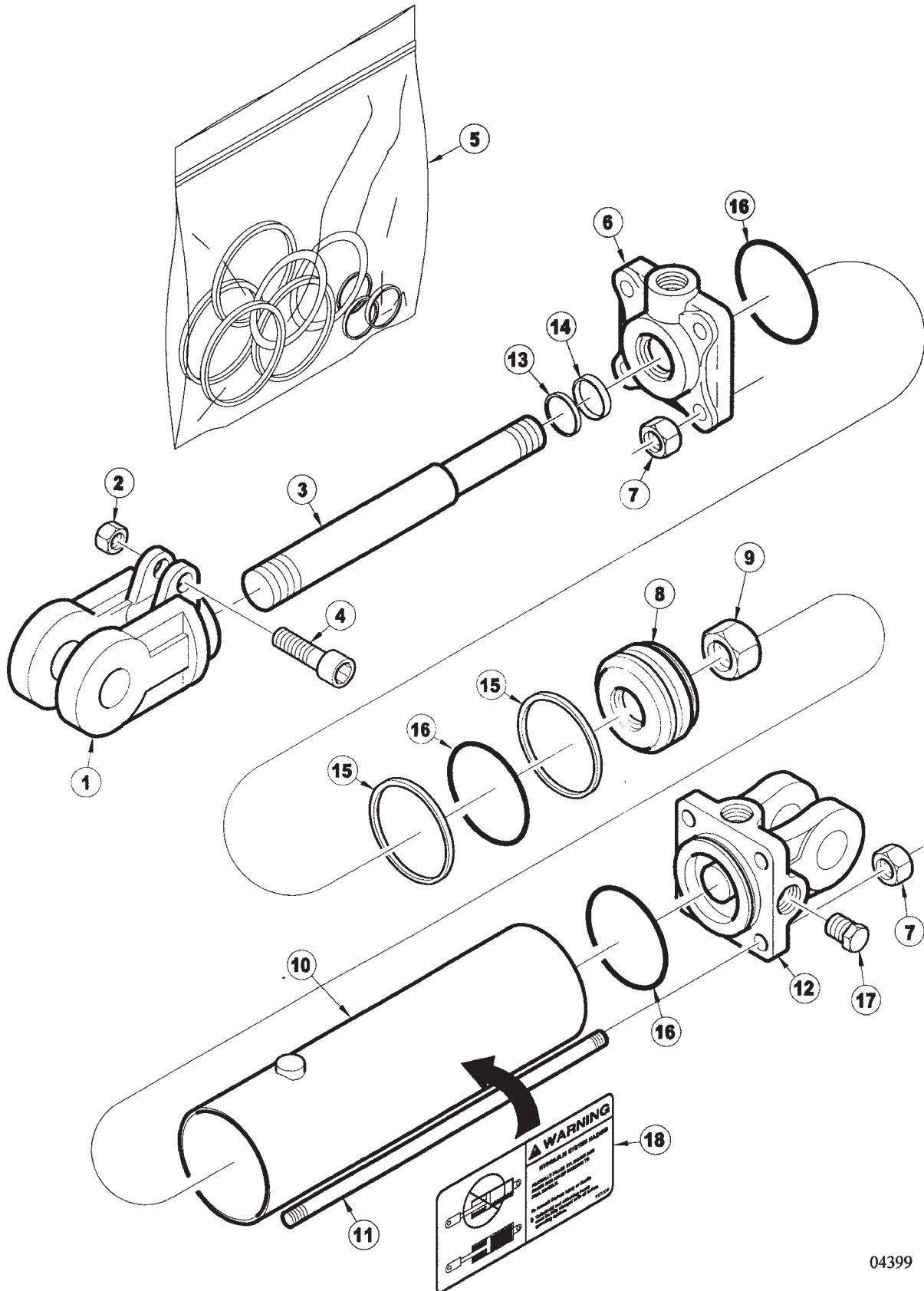
NOTE: *WHEN ORDERING HYDRAULIC CYLINDER COMPONENTS, NOTE THE PART NUMBER AND THE CYLINDER PSI. (LOCATED ON THE CYLINDER DECAL) AS THEY CONTAIN DIFFERENT COMPONENTS. OLDER CYLINDERS WERE 2500 PSI. AND THE NEWER CYLINDERS ARE 3000 PSI. IDENTIFYING THE PART # OF THE CYLINDER IS EXTREMELY IMPORTANT WHEN ORDERING PARTS TO ENSURE PROPER OPERATION OF THE HYDRAULIC CYLINDER.

WARNING
THESE PARTS ARE IMPORTANT TO THE SAFETY OF THIS EQUIPMENT AND THOSE WHO OPERATE IT. USE ONLY EXACT REPLACEMENT PARTS TO PREVENT HYDRAULIC FAILURE. BEFORE REPLACING THESE PARTS, REVIEW AND FOLLOW THE INSTRUCTIONS IN THE SAFETY AND OPERATING SECTIONS OF THIS MANUAL.

I0005498
PR: t05g30m51b0023

9421 TWO SECTION FOLDING DRILL
SERVICE PARTS

3" X 8" TONGUE CYLINDER 4446R (VERSION
1, PRIOR TO 10/16/03)



**9421 TWO SECTION FOLDING DRILL
SERVICE PARTS**

57

**3" X 8" TONGUE CYLINDER 4446R (VERSION
1, PRIOR TO 10/16/03)**

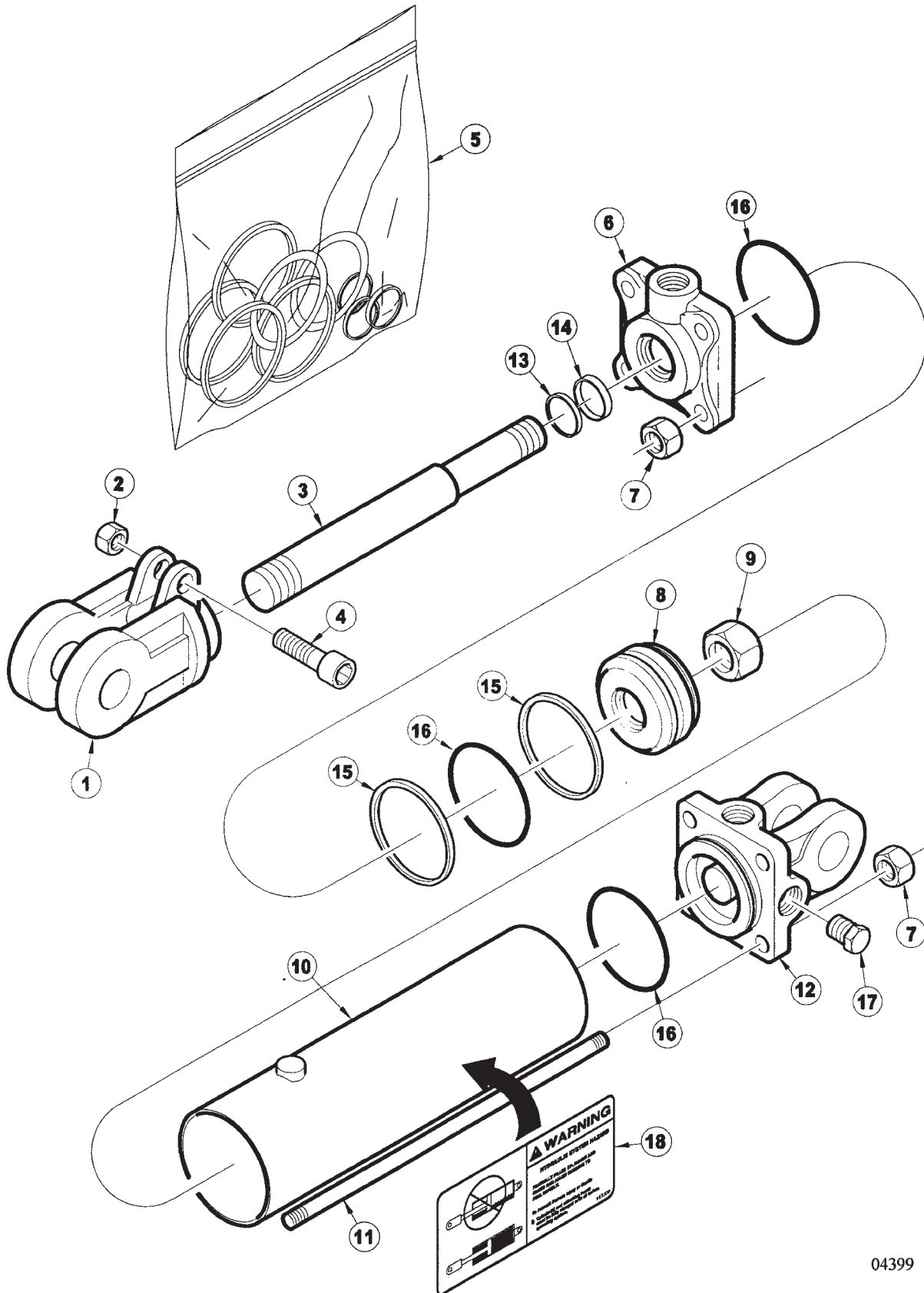
ITEM	NUMBER	QTY	DESCRIPTION
1	SN8615-1		CLEVIS, 1 1/4" THREADS, CROSS
2	SN8671-1		CAPSCREW NUT, 5/16" THREADS CROSS
3	SN8881-1		ROD, 1 1/4" DIA, 8" CROSS
4	SN8631-1		CAPSCREW, CROSS
5	SN8762-1		SEAL KIT, 3", 1 1/4" ROD, CROSS
6	SN8719-10		HEAD, 3", 1 1/4" ROD, CROSS (ORB)
7	SN8866-1		TIE ROD NUT, 1/2"-13 UNC CROSS
8	SN8711-1		PISTON, 3" W/3/4" HOLE CROSS
9	SN8681-1		PISTON NUT, 3/4" CROSS
10	SN8816-1		TUBE, 3" X 8" CROSS
11	SN8846-1		TIE ROD BOLT, 3" X 8" CROSS
12	SN8719-10		HEAD, 3", 1 1/4" ROD, CROSS (ORB)
13			* WIPER
14			* U-CUP
15			* BACKUP
16			* O-RING
17	SN4458		PLUG, 3/4"-16 O.R.
18	SN997309		HYDRAULIC SYSTEM HAZARD
	SN4446R		CYLINDER, 3" X 8" (20 1/4" CPC) ORB CROSS (VERSION 1, PRIOR TO 10/16/03)

NOTE: *AVAILABLE IN THE SEAL KIT ONLY.
WHEN ORDERING HYDRAULIC CYLINDER
COMPONENTS, NOTE THE PART NUMBER AND THE
CYLINDER PSI. (LOCATED ON THE CYLINDER
DECAL) AS THEY CONTAIN DIFFERENT
COMPONENTS. OLDER CYLINDERS WERE 2500
PSI. AND THE NEWER CYLINDERS ARE 3000
PSI. IDENTIFYING THE PART # OF THE
CYLINDER IS EXTREMELY IMPORTANT WHEN
ORDERING PARTS TO ENSURE PROPER
OPERATION OF THE HYDRAULIC CYLINDER.

I0004399
PR: t05g30m51b0024

9421 TWO SECTION FOLDING DRILL
SERVICE PARTS

3" X 8" TONGUE CYLINDER 12049R (VERSION
2, 10/16/03 & LATER)



**9421 TWO SECTION FOLDING DRILL
SERVICE PARTS**

59

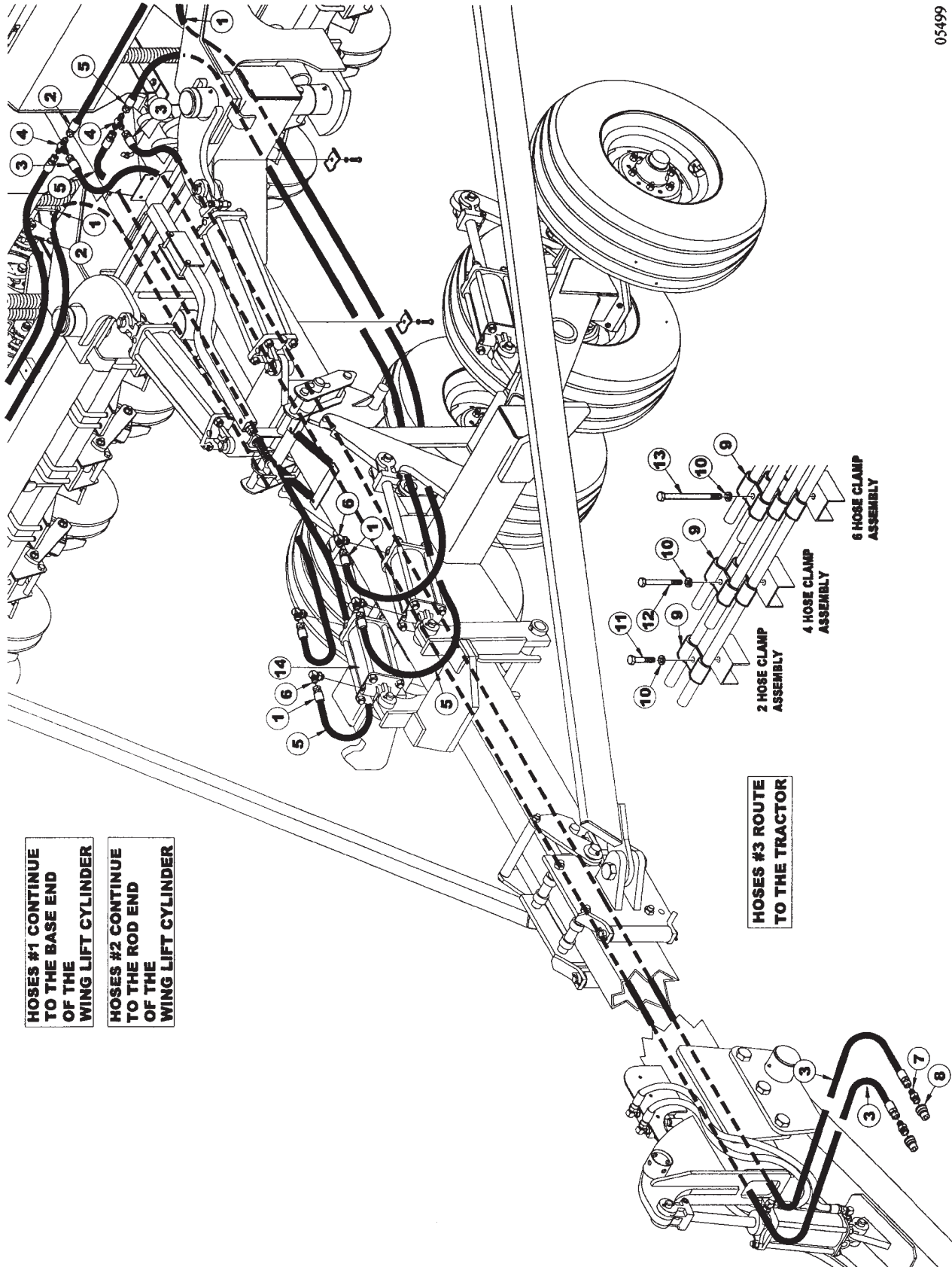
**3" X 8" TONGUE CYLINDER 12049R (VERSION
2, 10/16/03 & LATER)**

ITEM	NUMBER	QTY	DESCRIPTION
1	SN8615-1		CLEVIS, 1 1/4" THREADS, CROSS
2	SN8671-1		CAPSCREW NUT, 5/16" THREADS CROSS
3	SN12057		ROD, 1 1/4" DIA, 8" CROSS
4	SN8631-1		CAPSCREW, CROSS
5	SN8939-1		SEAL KIT, 3", 1 1/4" ROD, CROSS
6	SN8931-10		HEAD, 3", 1 1/4" ROD, CROSS (ORB)
7	SN8866-1		TIE ROD NUT, 1/2"-13 UNC CROSS
8	SN8937-1		PISTON, 3" W/3/4" HOLE, CROSS
9	SN8681-1		PISTON NUT, 3/4" CROSS
10	SN12056		TUBE, 3" X 8" CROSS
11	SN12058		TIE ROD BOLT, 3" X 8" CROSS
12	SN8938-10		BASE, 3" (ORB) CROSS
13			* WIPER
14			* U-CUP
15			* BACKUP
16			* O-RING
17	SN4458		PLUG, 3/4"-16 O.R.
18	SN997309		HYDRAULIC SYSTEM HAZARD
	SN12049		CYLINDER, 3" X 8" (20 1/4"CPC) CROSS, 3000 PSI (VERSION 2, 10/16/03 & LATER)

NOTE: *AVAILABLE IN THE SEAL KIT ONLY.
WHEN ORDERING HYDRAULIC CYLINDER
COMPONENTS, NOTE THE PART NUMBER AND THE
CYLINDER PSI. (LOCATED ON THE CYLINDER
DECAL) AS THEY CONTAIN DIFFERENT
COMPONENTS. OLDER CYLINDERS WERE 2500
PSI. AND THE NEWER CYLINDERS ARE 3000
PSI. IDENTIFYING THE PART # OF THE
CYLINDER IS EXTREMELY IMPORTANT WHEN
ORDERING PARTS TO ENSURE PROPER
OPERATION OF THE HYDRAULIC CYLINDER.

I0004399
PR: t05g30m51b0025

MAIN LIFT HYDRAULIC ASSEMBLY



HOSES #1 CONTINUE
TO THE BASE END
OF THE
WING LIFT CYLINDER

HOSES #2 CONTINUE
TO THE ROD END
OF THE
WING LIFT CYLINDER

HOSES #3 ROUTE
TO THE TRACTOR

2 HOSE CLAMP
ASSEMBLY

4 HOSE CLAMP
ASSEMBLY

6 HOSE CLAMP
ASSEMBLY

**9421 TWO SECTION FOLDING DRILL
SERVICE PARTS**

61

MAIN LIFT HYDRAULIC ASSEMBLY

ITEM	NUMBER	QTY	DESCRIPTION
1	SN4270005		HOSE, 1/2" X 270" L, FEMALE ENDS (20' MACHINE)
	SN4294005		HOSE, 1/2" X 294" L, FEMALE ENDS (25' MACHINE)
	SN4325005		HOSE, 1/2" X 325" L, FEMALE ENDS (30' MACHINE)
2	SN4178005		HOSE, 1/2" X 178" L, FEMALE ENDS (20' MACHINE)
	SN4214005		HOSE, 1/2" X 214" L, FEMALE ENDS (25' MACHINE)
	SN4244005		HOSE, 1/2" X 244" L, FEMALE ENDS (30' MACHINE)
3	SN4325005		HOSE, 1/2" X 325" L, FEMALE ENDS (20' & 25' MACHINES)
	SN4325005		HOSE, 1/2" X 325" L, FEMALE ENDS
4	SN4460		UNION TEE, 7/8"-14 M.F.
5	SN4120005		HOSE, 1/2" X 120" L, FEMALE ENDS
6	SN4457		90 DEGREES STRAIGHT THD ELBOW, 7/8"-14 M.F. X 3/4"-16 O.R.
7	SN2426		MALE CONNECTOR, 7/8"-14 M.F. X 1/2"-14 M.P.T.
8	SN3253		HYDRAULIC COUPLER, MALE HALF
9	SN5302		PIPE CLAMP, 3/8" BOLT HOLE
10	SN176		LOCK WASHER, 3/8" SPLIT TYPE MED, Y/D
11	SN3984		HEX BOLT, 3/8"-16 X 1 1/4", GR 5, Y/D
12	SN2487		HEX BOLT, 3/8"-16 X 2 1/2", GR 5, Y/D
13	SN3565		HEX BOLT, 3/8"-16 X 3 1/2", GR 5, Y/D
14	SN9704		CYLINDER, 4 1/2" X 12" (24 1/4" CPC) (*VERSION 1, PRIOR TO 7/28/03)
	SN12010		CYLINDER, 4 1/2" X 12" REPH (24 1/4" CPC) ORB CROSS, 3000 PSI (*VERSION 2,7/28/03 & LATER)

NOTE: *WHEN ORDERING HYDRAULIC CYLINDER COMPONENTS, NOTE THE PART NUMBER AND THE CYLINDER PSI. (LOCATED ON THE CYLINDER DECAL) AS THEY CONTAIN DIFFERENT COMPONENTS. OLDER CYLINDERS WERE 2500 PSI. AND THE NEWER CYLINDERS ARE 3000 PSI. IDENTIFYING THE PART # OF THE CYLINDER IS EXTREMELY IMPORTANT WHEN ORDERING PARTS TO ENSURE PROPER OPERATION OF THE HYDRAULIC CYLINDER.

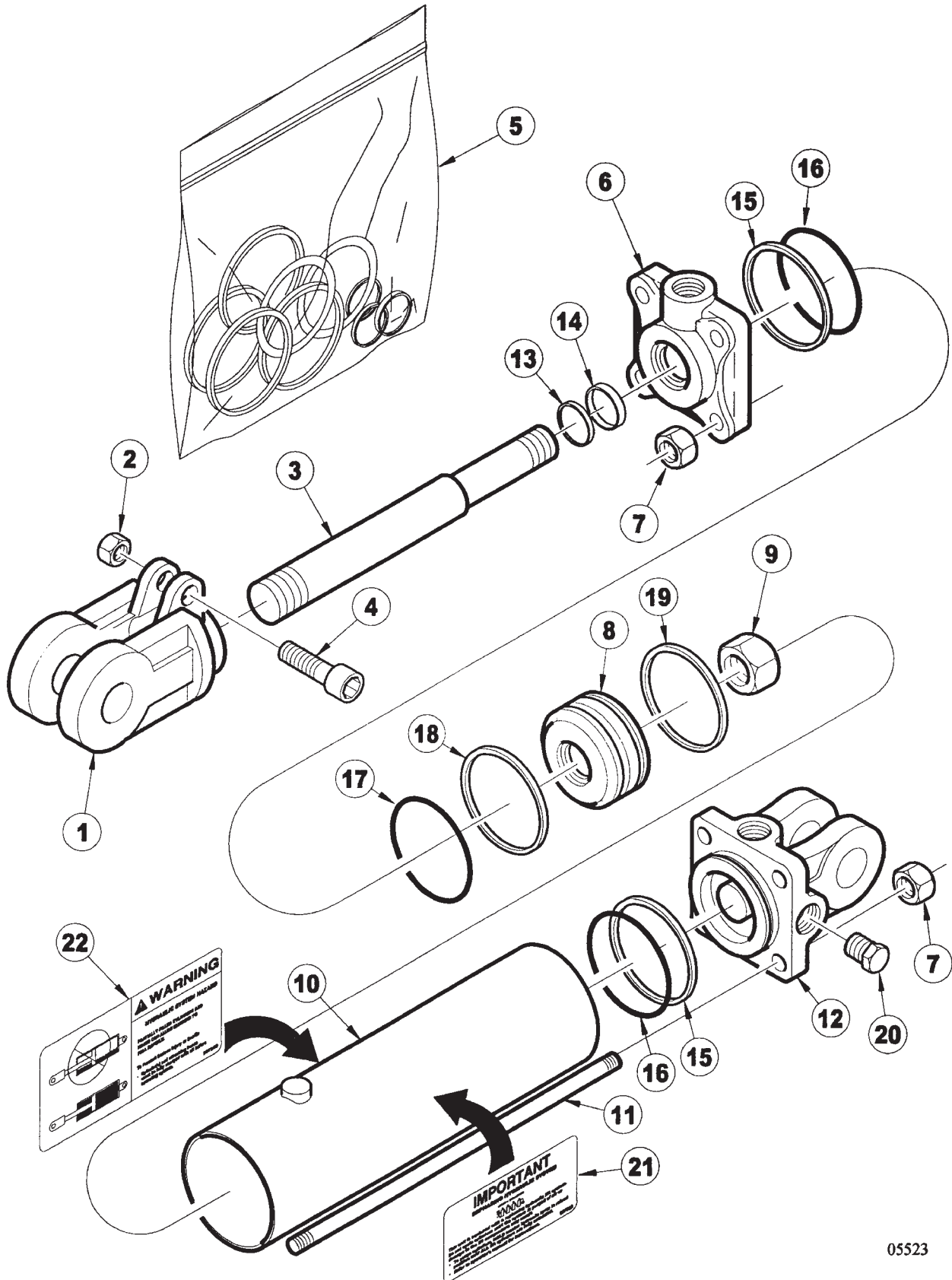
WARNING

THESE PARTS ARE IMPORTANT TO THE SAFETY OF THIS EQUIPMENT AND THOSE WHO OPERATE IT. USE ONLY EXACT REPLACEMENT PARTS TO PREVENT HYDRAULIC FAILURE. BEFORE REPLACING THESE PARTS, REVIEW AND FOLLOW THE INSTRUCTIONS IN THE SAFETY AND OPERATING SECTIONS OF THIS MANUAL.

I0005499
PR: t05g30m51b0026

9421 TWO SECTION FOLDING DRILL
SERVICE PARTS

4 1/2" X 12" MAIN LIFT CYLINDER 9704R
(VERSION 1, PRIOR TO 7/28/03)



**9421 TWO SECTION FOLDING DRILL
SERVICE PARTS**

63

**4 1/2" X 12" MAIN LIFT CYLINDER 9704R
(VERSION 1, PRIOR TO 7/28/03)**

ITEM	NUMBER	QTY	DESCRIPTION
1	SN8617-1		CLEVIS, 1 1/2" THREADS, CROSS
2	SN8671-1		CAPSCREW NUT, 5/16" THREADS CROSS
3	SN8903-1		ROD, 1 1/2" DIA, 12" REPHASING,CROSS
4	SN8631-1		CAPSCREW, CROSS
5	SN8799-1		SEAL KIT, 4 1/2", 1 1/2" ROD, CROSS
6	SN8730-10		HEAD, 4 1/2", 1 1/2" ROD REPHASING, CROSS
7	SN8865-1		TIE ROD NUT, 3/4" THREADS CROSS
8	SN8720-1		PISTON, 4 1/2" REPHASING CROSS
9	SN8685-1		PISTON NUT, 1 1/4" THREAD, CROSS
10	SN8793-1		TUBE, 4 1/2" X 12" REPHASING, CROSS
11	SN8874-1		TIE ROD BOLT, 4 1/4" X 12" REPHASING, CROSS
12	SN8679-10		BASE, 4 1/2" (ORB), 1" PIN CROSS
13			* WIPER
14			* U-CUP
15			* BACKUP
16			* O-RING
17			* O-RING
18			* TEFLON RING
19			* WEAR RING
20	SN4458		PLUG, 3/4"-16 O.R.
21	SN997052		SYSTEMS MUST BE BLED OF AIR
22	SN997309		HYDRAULIC SYSTEM HAZARD
	SN9704		CYLINDER, 4 1/2" X 12" (24 1/4" CPC) CROSS (VERSION 1, PRIOR TO 7/28/03)

NOTE: * AVAILABLE IN THE SEAL KIT ONLY.
WHEN ORDERING HYDRAULIC CYLINDER
COMPONENTS, NOTE THE PART NUMBER AND THE
CYLINDER PSI. (LOCATED ON THE CYLINDER
DECAL) AS THEY CONTAIN DIFFERENT
COMPONENTS. OLDER CYLINDERS WERE 2500
PSI. AND THE NEWER CYLINDERS ARE 3000
PSI. IDENTIFYING THE PART # OF THE
CYLINDER IS EXTREMELY IMPORTANT WHEN
ORDERING PARTS TO ENSURE PROPER
OPERATION OF THE HYDRAULIC CYLINDER.

I0005523
PR: t05g30m51b0027

**9421 TWO SECTION FOLDING DRILL
SERVICE PARTS**

65

**4 1/2" X 12" MAIN LIFT CYLINDER 12010R
(VERSION 2, 7/28/03 & LATER)**

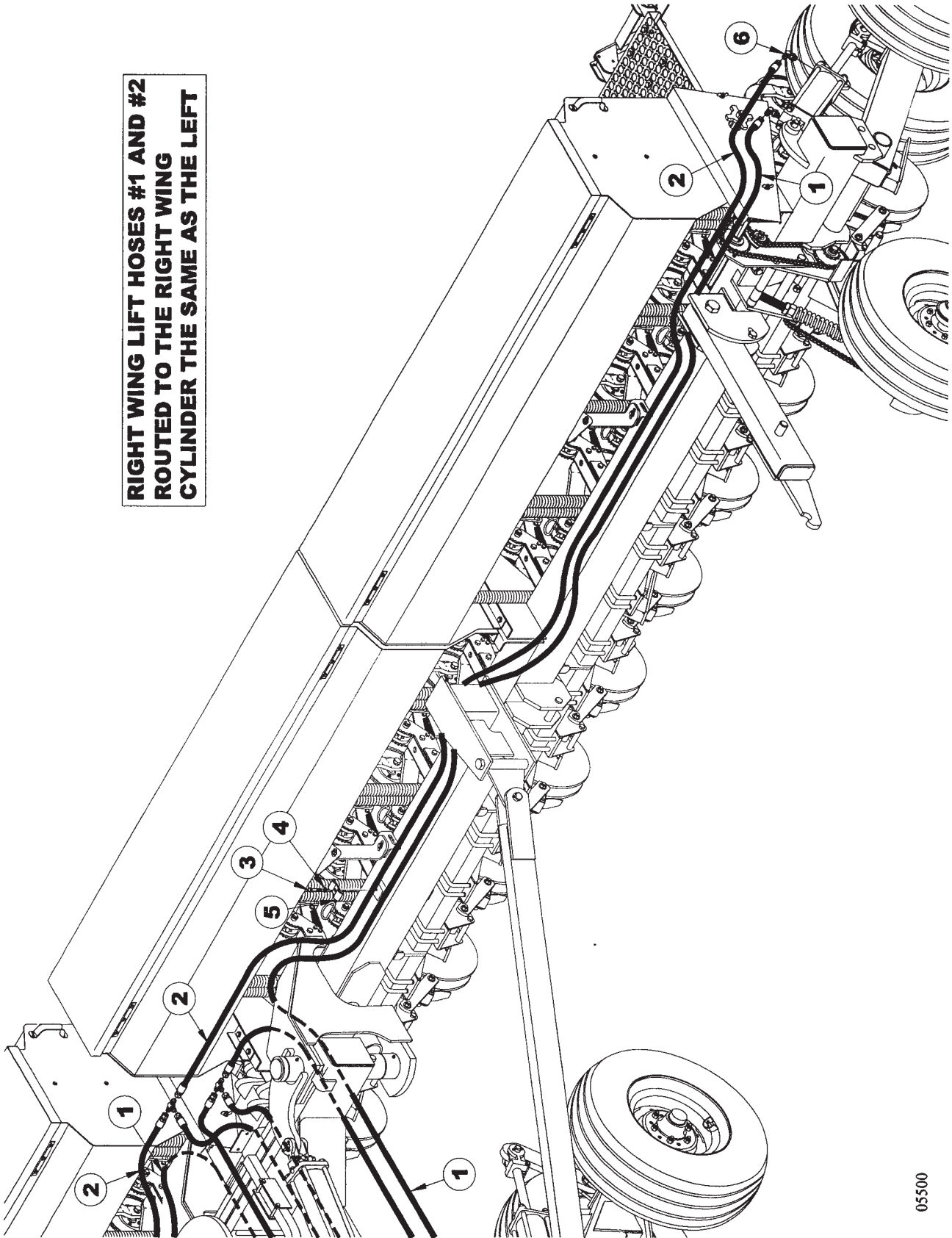
ITEM	NUMBER	QTY	DESCRIPTION
1	SN12009		CLEVIS, 1 1/2" THREADS, CROSS
2	SN8961-1		PLUG, NYLON, CROSS
3	SN8963-1		SET SCREW, 3/8"-16 X 7/8" L, SHSS W/NYLOK, CROSS
4	SN8903-1		ROD, 1 1/2" DIA, 12" REPHASING,CROSS
5	SN8951-1		SEAL KIT, 4 1/2", 1 1/2" ROD, CROSS
6			* WIPER
7			* U-CUP
8	SN8956-10		HEAD, 4 1/2", 1 1/2" ROD REPHASING,CROSS
9			* BACK-UP
10			* O-RING
11			* O-RING
12			* TEFLON RING
13	SN8953-1		PISTON, 4 1/2" REPHASING CROSS
14			* WEAR RING
15	SN8685-1		PISTON NUT, 1 1/4" THREAD, CROSSING CROSS
16	SN997309		HYDRAULIC SYSTEM HAZARD
17	SN8793-1		TUBE, 4 1/2" X 12" REPHASING, CROSS
18	SN997052		SYSTEMS MUST BE BLED OF AIR
19	SN8874-1		TIE ROD BOLT, 4 1/4" X 12" REPHASING, CROSS
20	SN8679-10		BASE, 4 1/2" (ORB), 1" PIN CROSSING, CROSS
21	SN4458		PLUG, 3/4"-16 MOR
22	SN8865-1		TIE ROD NUT, 3/4" THREADS CROSS
	SN12010		CYLINDER, 4 1/2" X 12" REPH (24 1/4"CPC) CROSS, 3000 PSI (VERSION 2, 7/28/03 & LATER)

NOTE: * AVAILABLE IN THE SEAL KIT ONLY.
WHEN ORDERING HYDRAULIC CYLINDER
COMPONENTS, NOTE THE PART NUMBER AND THE
CYLINDER PSI. (LOCATED ON THE CYLINDER
DECAL) AS THEY CONTAIN DIFFERENT
COMPONENTS. OLDER CYLINDERS WERE 2500
PSI. AND THE NEWER CYLINDERS ARE 3000
PSI. IDENTIFYING THE PART # OF THE
CYLINDER IS EXTREMELY IMPORTANT WHEN
ORDERING PARTS TO ENSURE PROPER
OPERATION OF THE HYDRAULIC CYLINDER.

I0007038
PR: t05g30m51b0028

LEFT WING LIFT HYDRAULICS

**RIGHT WING LIFT HOSES #1 AND #2
ROUTED TO THE RIGHT WING
CYLINDER THE SAME AS THE LEFT**



**9421 TWO SECTION FOLDING DRILL
SERVICE PARTS**

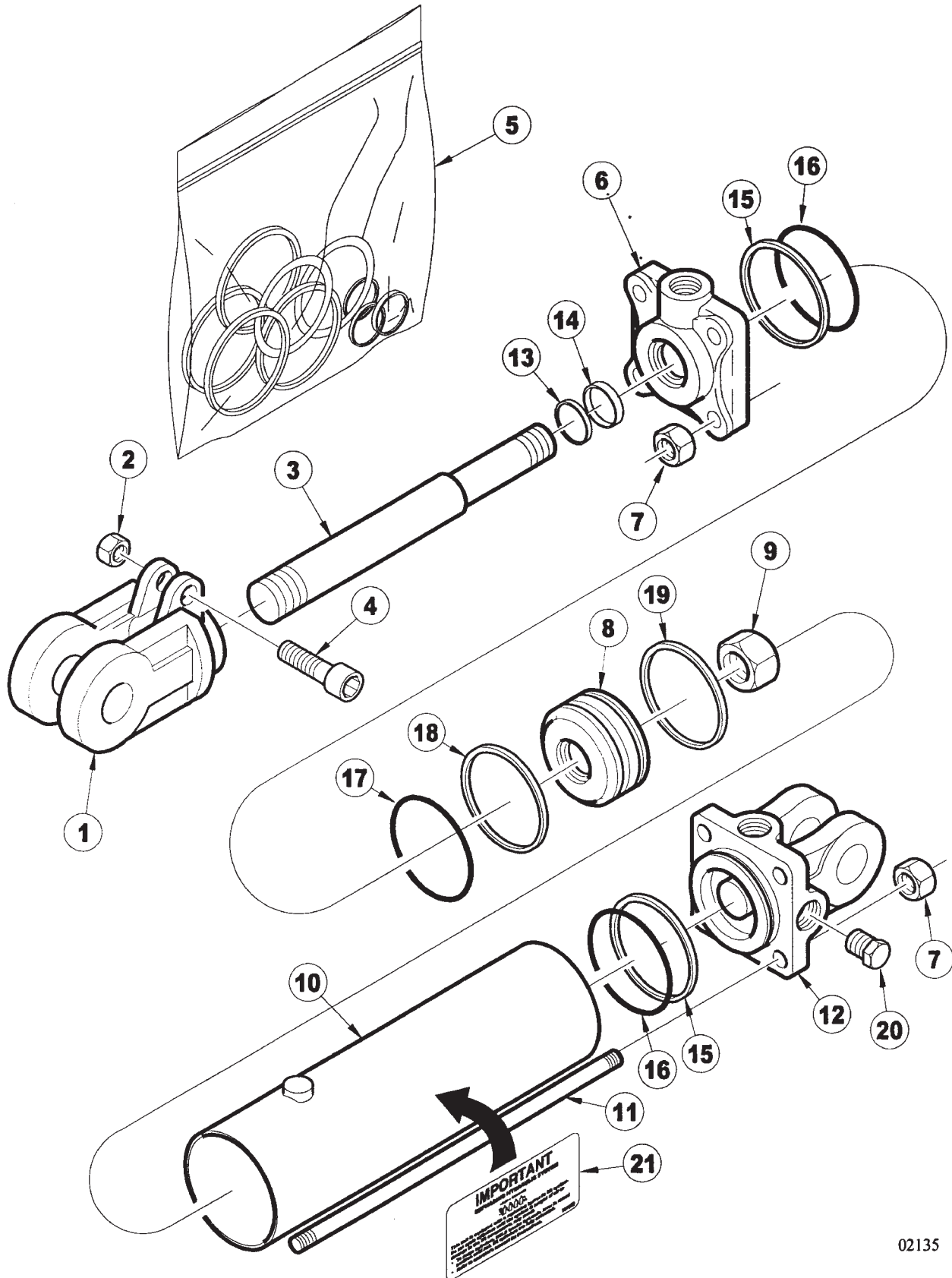
LEFT WING LIFT HYDRAULICS

ITEM	NUMBER	QTY	DESCRIPTION
1	SN4270005		HOSE, 1/2" X 270" L, FEMALE ENDS (20')
	SN4294005		HOSE, 1/2" X 294" L, FEMALE ENDS (25')
	SN4325005		HOSE, 1/2" X 325" L, FEMALE ENDS (30')
2	SN4178005		HOSE, 1/2" X 178" L, FEMALE ENDS (20')
	SN4214005		HOSE, 1/2" X 214" L, FEMALE ENDS (25')
	SN4244005		HOSE, 1/2" X 244" L, FEMALE ENDS (30')
3	SN3984		HEX BOLT, 3/8"-16 X 1 1/4", GR 5, Y/D
4	SN176		LOCK WASHER, 3/8" SPLIT TYPE MED, Y/D
5	SN5302		PIPE CLAMP, 3/8" BOLT HOLE
6	SN4457		90 DEGREES STRAIGHT THD ELBOW, 7/8"-14 M.F. X 3/4"-16 O.R.
			WARNING THESE PARTS ARE IMPORTANT TO THE SAFETY OF THIS EQUIPMENT AND THOSE WHO OPERATE IT. USE ONLY EXACT REPLACEMENT PARTS TO PREVENT HYDRAULIC FAILURE. BEFORE REPLACING THESE PARTS, REVIEW AND FOLLOW THE INSTRUCTIONS IN THE SAFETY AND OPERATING SECTIONS OF THIS MANUAL.

I0005500
PR: t05g30m51b0029

9421 TWO SECTION FOLDING DRILL
SERVICE PARTS

4 1/4" X 12" WING LIFT CYLINDER 9703R
(VERSION 1, PRIOR TO 7/8/03)



**9421 TWO SECTION FOLDING DRILL
SERVICE PARTS**

69

**4 1/4" X 12" WING LIFT CYLINDER 9703R
(VERSION 1, PRIOR TO 7/8/03)**

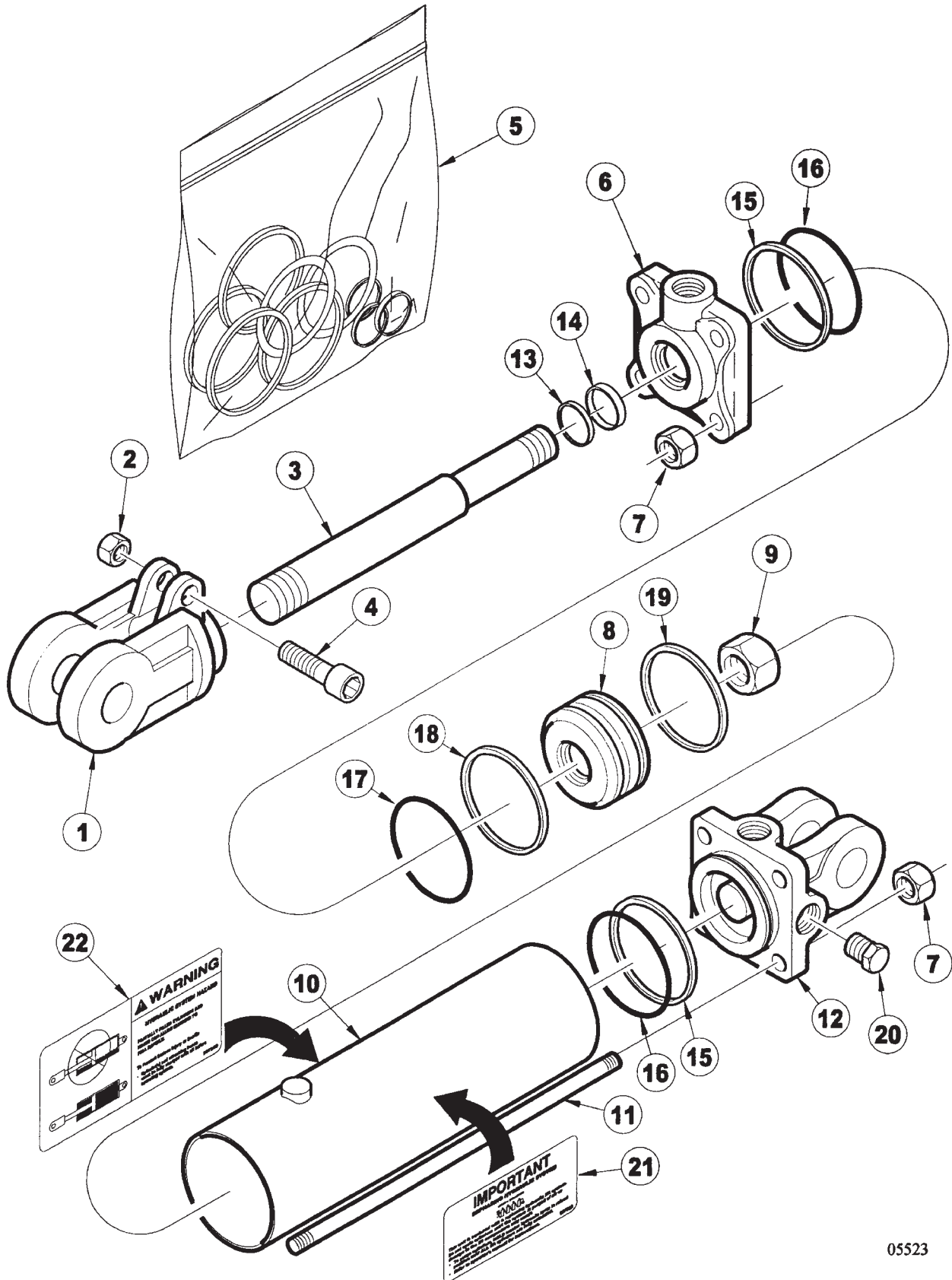
ITEM	NUMBER	QTY	DESCRIPTION
1	SN8610-1		CLEVIS, 1 1/4" THREADS, 1" PIN W/BUS
2	SN8671-1		CAPSCREW NUT, 5/16" THREADS, CROSS
3	SN8893-1		ROD, 1 3/8" DIA, 12", REPHASING, CROSS
4	SN8631-1		CAPSCREW, CROSS
5	SN8780-1		SEAL KIT, 4 1/4", 1 3/8" ROD, REPHASING, CROSS
6	SN8741-10		HEAD, 4 1/4", 1 3/8" ROD REPHAS
7	SN8865-1		TIE ROD NUT, 3/4" THREADS CROSS
8	SN8695-1		PISTON, 4 1/4" W/1 1/4" HOLE REPHASING, CROSS
9	SN8683-1		PISTON NUT, 1" CROSS
10	SN8810-1		TUBE, 4 1/4" X 12", REPHASING, CROSS
11	SN8874-1		TIE ROD BOLT, 4 1/4" X 12" REPHASING, CROSS
12	SN8675-10		BASE, 4 1/4" (ORB), 1" PIN, CROSS
13			* WIPER
14			* U-CUP
15			* BACKUP
16			* O-RING
17			* O-RING
18			* TEFLON RING
19			* WEAR RING
20	SN4458		PLUG, 3/4"-16 O.R.
21	SN997052		SYSTEMS MUST BE BLED OF AIR
	SN9703		CYLINDER, 4 1/4" X 12" (24 1/4" CPC) CROSS (VERSION 1, PRIOR TO 7/8/03)

NOTE: *AVAILABLE IN THE SEAL KIT ONLY
WHEN ORDERING HYDRAULIC CYLINDER
COMPONENTS, NOTE THE PART NUMBER AND THE
CYLINDER PSI. (LOCATED ON THE CYLINDER
DECAL) AS THEY CONTAIN DIFFERENT
COMPONENTS. OLDER CYLINDERS WERE 2500
PSI. AND THE NEWER CYLINDERS ARE 3000
PSI. IDENTIFYING THE PART # OF THE
CYLINDER IS EXTREMELY IMPORTANT WHEN
ORDERING PARTS TO ENSURE PROPER
OPERATION OF THE HYDRAULIC CYLINDER.

I0002135
PR: t05g30m51b0030

9421 TWO SECTION FOLDING DRILL
SERVICE PARTS

4 1/2" X 12" MAIN LIFT CYLINDER 12008R
(VERSION 2, 7/8/03 & LATER)



**9421 TWO SECTION FOLDING DRILL
SERVICE PARTS**

71

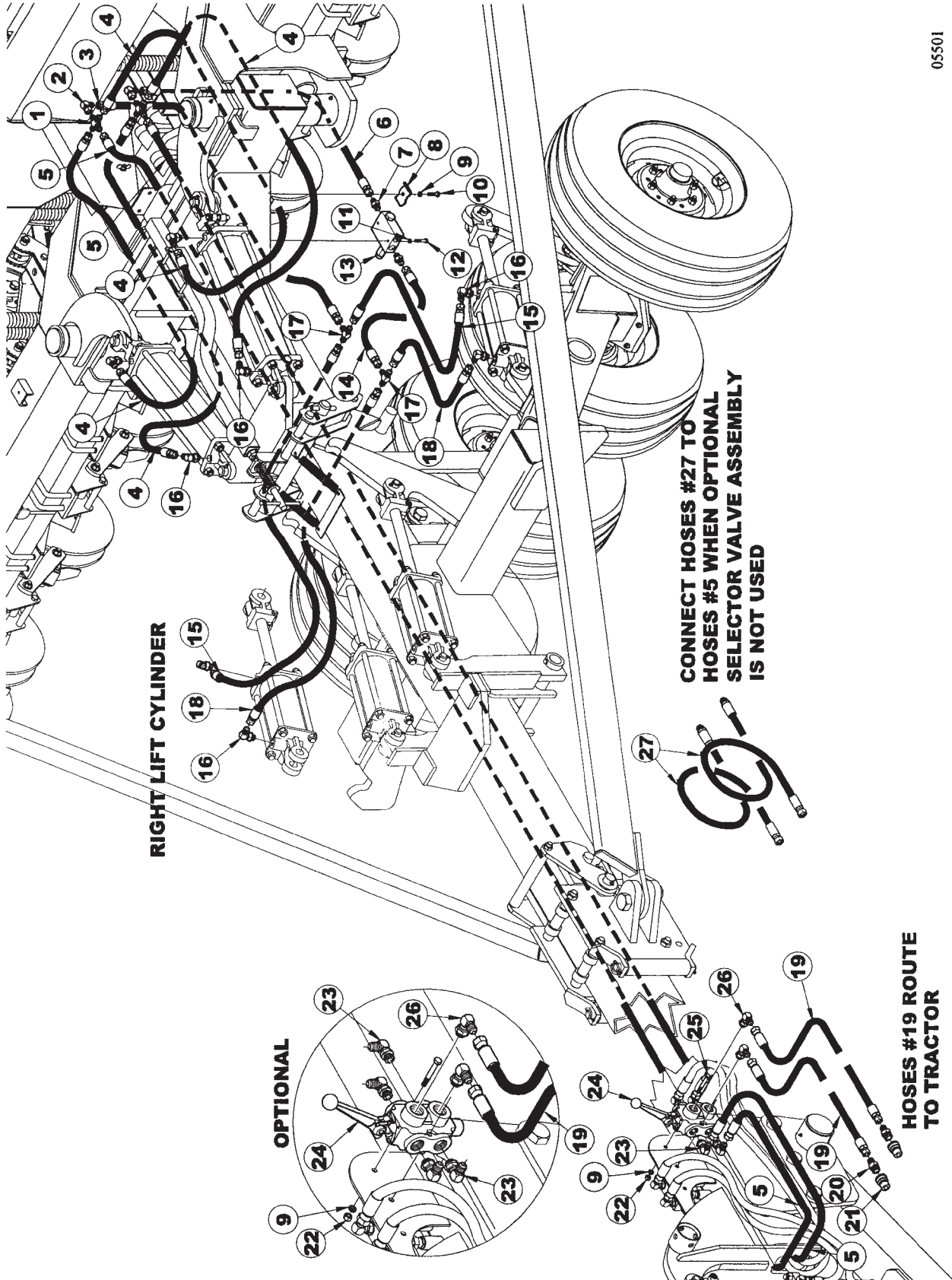
**4 1/2" X 12" MAIN LIFT CYLINDER 12008R
(VERSION 2, 7/8/03 & LATER)**

ITEM	NUMBER	QTY	DESCRIPTION
1	SN8968-1		PLUG, NYLON, CROSS
2	SN8961-1		SET SCREW, 3/8"-16 X 7/8" L, SHSS
3	SN8963-1		W/NYLOK, CROSS
4	SN8893-1		ROD, 1 1/2" DIA, 12" REPHASING,CROSS
5	SN8780-1		SEAL KIT, 4 1/2", 1 1/2" ROD, CROSS
6			* WIPER
7			* U-CUP
8	SN8741-10		HEAD, 4 1/2", 1 1/2" ROD REPHASING,CROSS
9			* BACK-UP
10			* O-RING
11			* O-RING
12			* TEFLON RING
13	SN8958-1		PISTON, 4 1/2" REPHASING CROSS
14			* WEAR RING
15	SN8683-1		PISTON NUT, 1 1/4" THREAD, CROSSING CROSS
16	SN997309		HYDRAULIC SYSTEM HAZARD
17	SN8810-1		TUBE, 4 1/2" X 12" REPHASING, CROSS
18	SN997052		SYSTEMS MUST BE BLED OF AIR
19	SN8874-1		TIE ROD BOLT, 4 1/4" X 12" REPHASING, CROSS
20	SN8675-10		BASE, 4 1/2" (ORB), 1" PIN CROSSING, CROSS
21	SN4458		PLUG, 3/4"-16 MOR
22	SN8865-1		TIE ROD NUT, 3/4" THREADS CROSS
	SN12008		CYLINDER, 4 1/4" X 12" (24 1/4"CPC)CROSS 3000 PSI (VERSION 2, 7/8/03 & LATER)

NOTE: * AVAILABLE IN THE SEAL KIT ONLY.
WHEN ORDERING HYDRAULIC CYLINDER
COMPONENTS, NOTE THE PART NUMBER AND THE
CYLINDER PSI. (LOCATED ON THE CYLINDER
DECAL) AS THEY CONTAIN DIFFERENT
COMPONENTS. OLDER CYLINDERS WERE 2500
PSI. AND THE NEWER CYLINDERS ARE 3000
PSI. IDENTIFYING THE PART # OF THE
CYLINDER IS EXTREMELY IMPORTANT WHEN
ORDERING PARTS TO ENSURE PROPER
OPERATION OF THE HYDRAULIC CYLINDER.

I0005523
PR: t05g30m51b0031

FOLD HYDRAULIC ASSEMBLY



05501

**9421 TWO SECTION FOLDING DRILL
SERVICE PARTS**

73

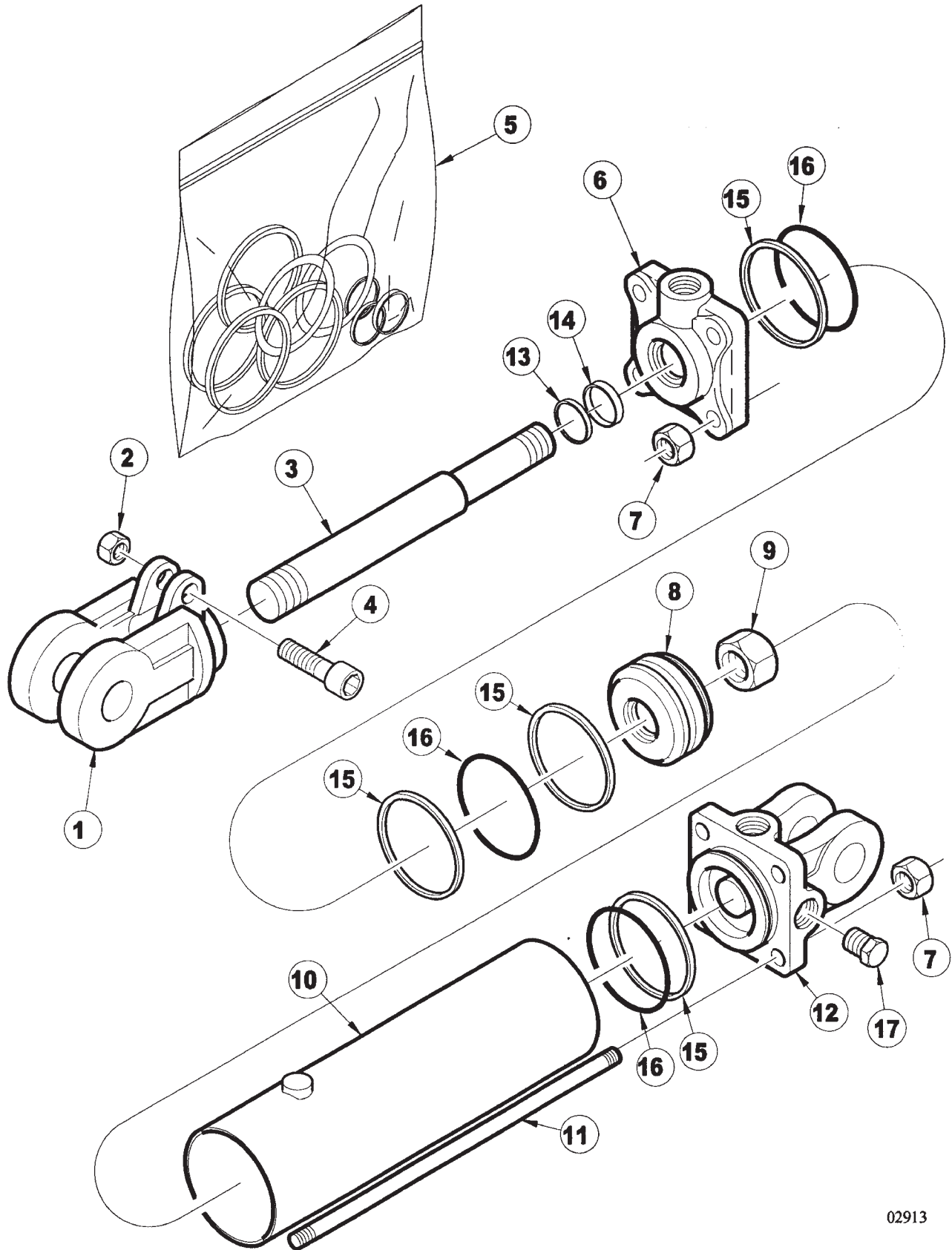
FOLD HYDRAULIC ASSEMBLY

ITEM	NUMBER	QTY	DESCRIPTION
1	SN4482		UNION CROSS, 3/4"-16 MF
2	SN4472		90 DEGREE SWIVEL ELBOW, 3/4"- 16 MF X 3/4"-16 FF
3	SN4062002		HOSE, 3/8" X 62" L, FEMALE ENDS
4	SN4055002		HOSE, 3/8" X 55" L, FEMALE ENDS
5	SN4260002		HOSE, 3/8" X 260" L, FEMALE ENDS
6	SN4014002		HOSE, 3/8" X 14" L, FEMALE ENDS
7	SN4463		STRAIGHT THREAD CONNECTOR, 3/4"-16 M.F. X 3/4"-16 O.R.
8	SN5302		PIPE CLAMP, 3/8" BOLT HOLE
9	SN176		LOCK WASHER, 3/8" SPLIT TYPE MED, Y/D
10	SN2487		HEX BOLT, 3/8"-16 X 2 1/2", GR 5, Y/D
11	SN3723		LOCK WASHER, 5/16" SPLIT TYPE, MED, Y/D
12	SN5815		HEX BOLT, 5/16"-18 X 2 1/4" GR5, Y/D
13	SN6934		VALVE, COUNTERBALANCE
14	SN4040002		HOSE, 3/8" X 40" L, FEMALE ENDS
15	SN4034002		HOSE, 3/8" X 34" L, FEMALE ENDS
16	SN4466		90 DEG STR THD ELBOW, 3/4"-16 MF X 3/4"-16 MOR W/1/8" REST
17	SN2429		UNION TEE, 3/4"-16 M.F.
18	SN4028002		HOSE, 3/8" X 28" L, FEMALE ENDS 3/4"-16 MOR
19	SN4104002		HOSE, 3/8" X 104" L, FEMALE ENDS
20	SN2425		MALE CONNECTOR, 3/4"-16 M.F. X 1/2"-14 M.P.T.
21	SN3253		HYDRAULIC COUPLER, MALE HALF
22	SN177		HEX NUT, 3/8"-16 FULL, GR 2, Y/D
23	SN6935		90 DEG STR THD ELBOW, 9/16"-18 MF X
24	SN4550		SELECTOR VALVE, 3/4"-16 SAE
25	SN2487		HEX BOLT, 3/8"-16 X 2 1/2", GR 5, Y/D
26	SN4454		FEMALE BRANCH TEE, 3/4"-16 MF X 1/2"-14 FPT
27	SN4050003		HOSE, 3/8" X 50" L, M/F ENDS
			WARNING THESE PARTS ARE IMPORTANT TO THE SAFETY OF THIS EQUIPMENT AND THOSE WHO OPERATE IT. USE ONLY EXACT REPLACEMENT PARTS TO PREVENT HYDRAULIC FAILURE. BEFORE REPLACING THESE PARTS, REVIEW AND FOLLOW THE INSTRUCTIONS IN THE SAFETY AND OPERATING SECTIONS OF THIS MANUAL.

I0005501
PR: t05g30m51b0032

9421 TWO SECTION FOLDING DRILL
SERVICE PARTS

2 1/2" X 8" WHEEL LOCK CYLINDER DR55002
(VERSION 1, PRIOR TO 6/23/03)



9421 TWO SECTION FOLDING DRILL
SERVICE PARTS

75

2 1/2" X 8" WHEEL LOCK CYLINDER DR55002
(VERSION 1, PRIOR TO 6/23/03)

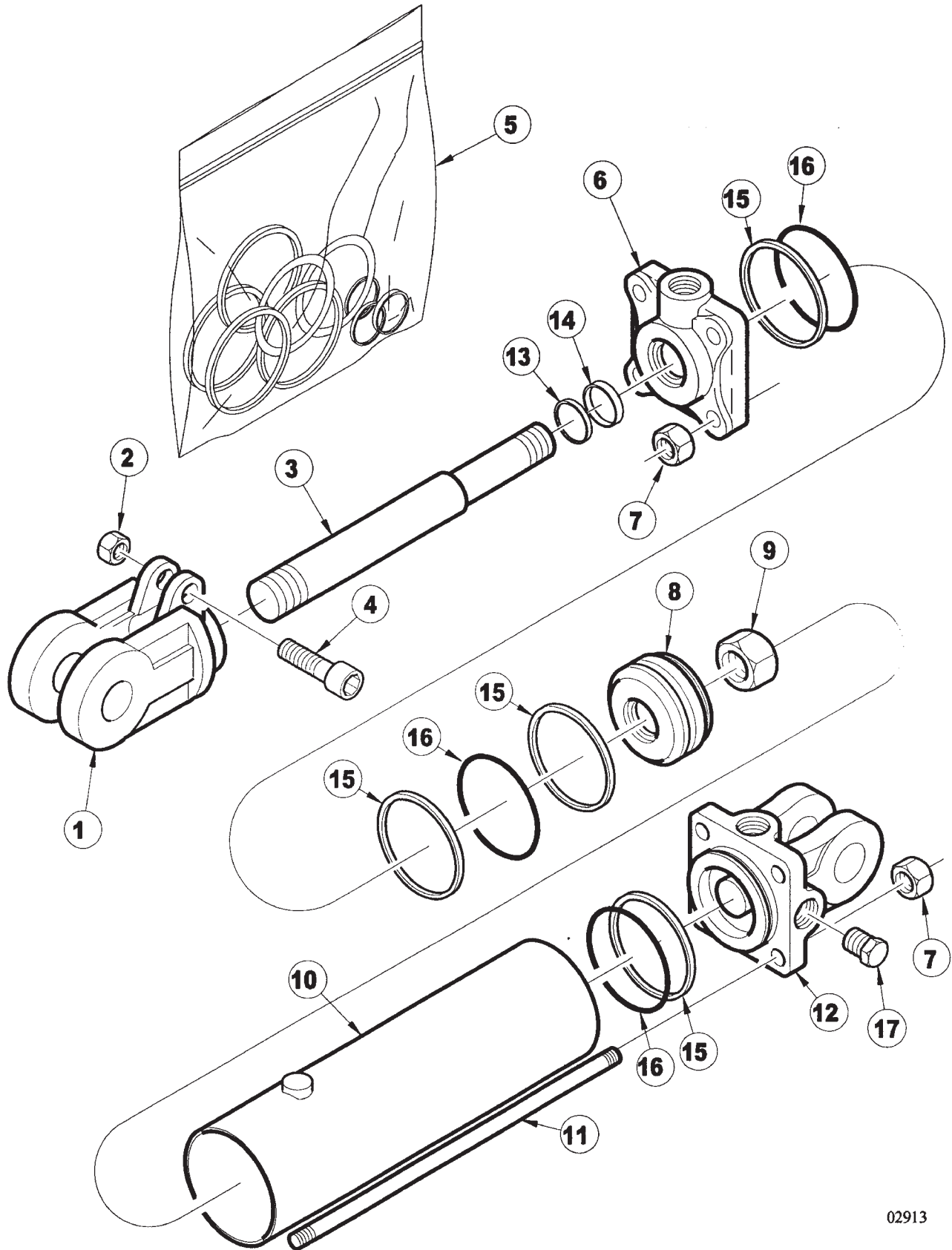
ITEM	NUMBER	QTY	DESCRIPTION
1	SN8629-1		CLEVIS , 1 1/16" THREADS
2	SN8671-1		CAPSCREW NUT
3	SN8879-1		1" ROD
4	SN8631-1		CAPSCREW
5	SN8800-1		SEAL KIT
6	SN8721-10		HEAD, 2 1/2", 1" ROD
7	SN8864-1		TIE ROD NUT
8	SN8689-1		PISTON
9	SN8681-1		PISTON NUT, 3/4"
10	SN8809-1		TUBE
11	SN8870-1		TIE ROD BOLT
12	SN8690-10		BASE, 2 1/2"
13			* WIPER
14			* U-CUP
15			* BACKUP
16			* O-RING
17	SN4458		PLUG, 3/4"-16 O.R.
	SNDR55002		2 1/2" X 8" CROSS CYLINDER (VERSION 1, PRIOR TO 6/23/03)

NOTE: *AVAILABLE IN THE SEAL KIT ONLY.
WHEN ORDERING HYDRAULIC CYLINDER
COMPONENTS, NOTE THE PART NUMBER AND THE
CYLINDER PSI. (LOCATED ON THE CYLINDER
DECAL) AS THEY CONTAIN DIFFERENT
COMPONENTS. OLDER CYLINDERS WERE 2500
PSI. AND THE NEWER CYLINDERS ARE 3000
PSI. IDENTIFYING THE PART # OF THE
CYLINDER IS EXTREMELY IMPORTANT WHEN
ORDERING PARTS TO ENSURE PROPER
OPERATION OF THE HYDRAULIC CYLINDER.

I0002913
PR: t05g30m51b0033

9421 TWO SECTION FOLDING DRILL
SERVICE PARTS

2 1/2" X 8" WHEEL LOCK CYLINDER
12051R (VERSION 2, 6/23/03 & LATER)



**9421 TWO SECTION FOLDING DRILL
SERVICE PARTS**

77

**2 1/2" X 8" WHEEL LOCK CYLINDER
12051R (VERSION 2, 6/23/03 & LATER)**

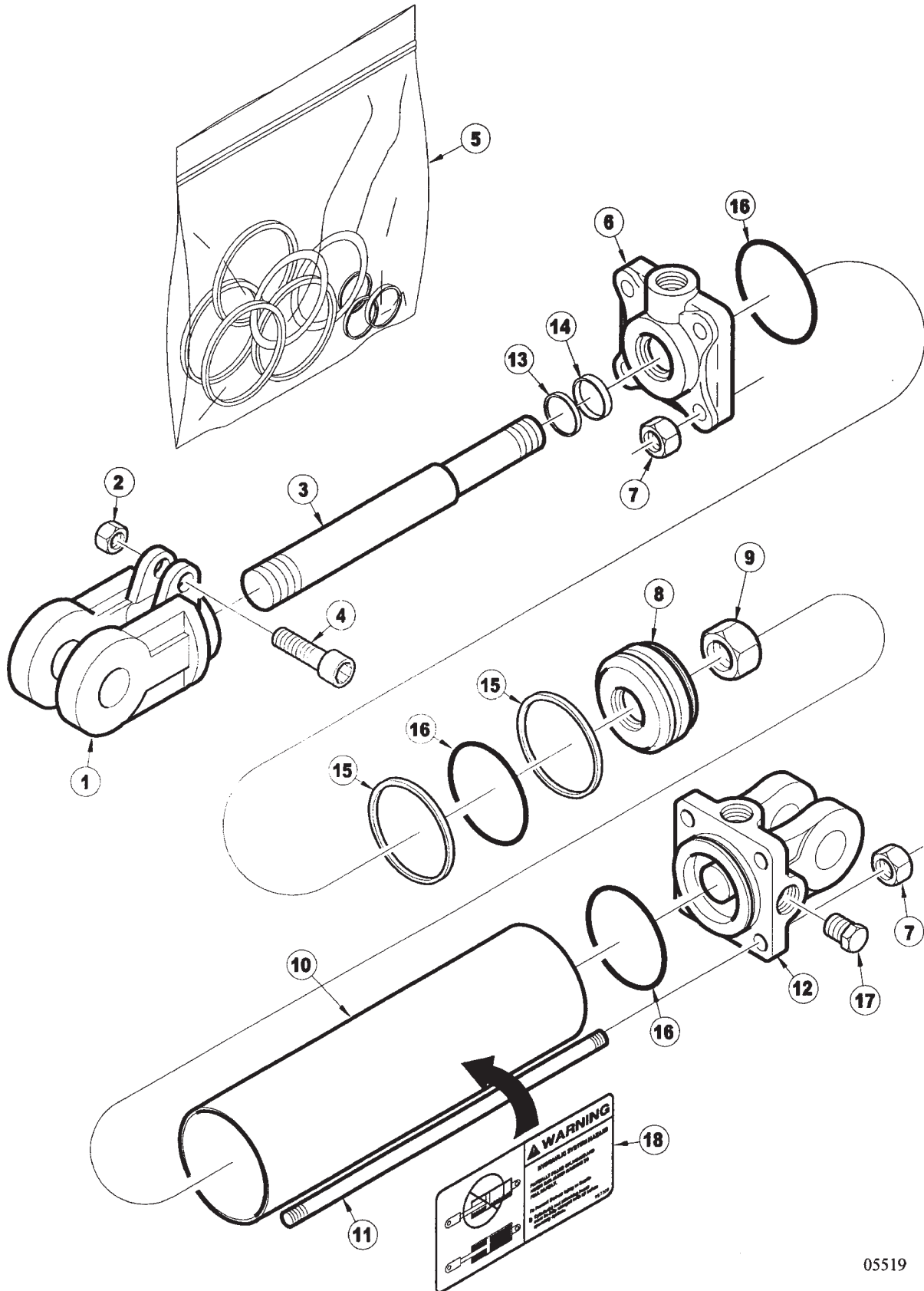
ITEM	NUMBER	QTY	DESCRIPTION
1	SN8629-1		CLEVIS , 1 1/16" THREADS
2	SN8671-1		CAPSCREW NUT
3	SN8879-1		1" ROD
4	SN8631-1		CAPSCREW
5	SN8756-1		SEAL KIT
6	SN8731-10		HEAD, 2 1/2", 1 1/16" ROD, CROSS (ORB)
7	SN8864-1		TIE ROD NUT
8	SN8714-1		PISTON
9	SN8681-1		PISTON NUT, 3/4"
10	SN8809-1		TUBE
11	SN8870-1		TIE ROD BOLT
12	SN8680-10		BASE, 2 1/2"
13			* WIPER
14			* U-CUP
15			* BACKUP
16			* O-RING
17	SN4458		PLUG, 3/4"-16 O.R.
	SN12051		CYLINDER, 2 1/2" X 8" (20 1/4" CPC)ORB CROSS, 3000 PSI (VERSION 2, 6/23/03 & LATER)

NOTE: *AVAILABLE IN THE SEAL KIT ONLY.
WHEN ORDERING HYDRAULIC CYLINDER
COMPONENTS, NOTE THE PART NUMBER AND THE
CYLINDER PSI. (LOCATED ON THE CYLINDER
DECAL) AS THEY CONTAIN DIFFERENT
COMPONENTS. OLDER CYLINDERS WERE 2500
PSI. AND THE NEWER CYLINDERS ARE 3000
PSI. IDENTIFYING THE PART # OF THE
CYLINDER IS EXTREMELY IMPORTANT WHEN
ORDERING PARTS TO ENSURE PROPER
OPERATION OF THE HYDRAULIC CYLINDER.

I0002913
PR: t05g30m51b0034

9421 TWO SECTION FOLDING DRILL
SERVICE PARTS

4" X 16" FOLD CYLINDER 9725R
(VERSION 1, PRIOR TO 8/22/03)



**9421 TWO SECTION FOLDING DRILL
SERVICE PARTS**

79

**4" X 16" FOLD CYLINDER 9725R
(VERSION 1, PRIOR TO 8/22/03)**

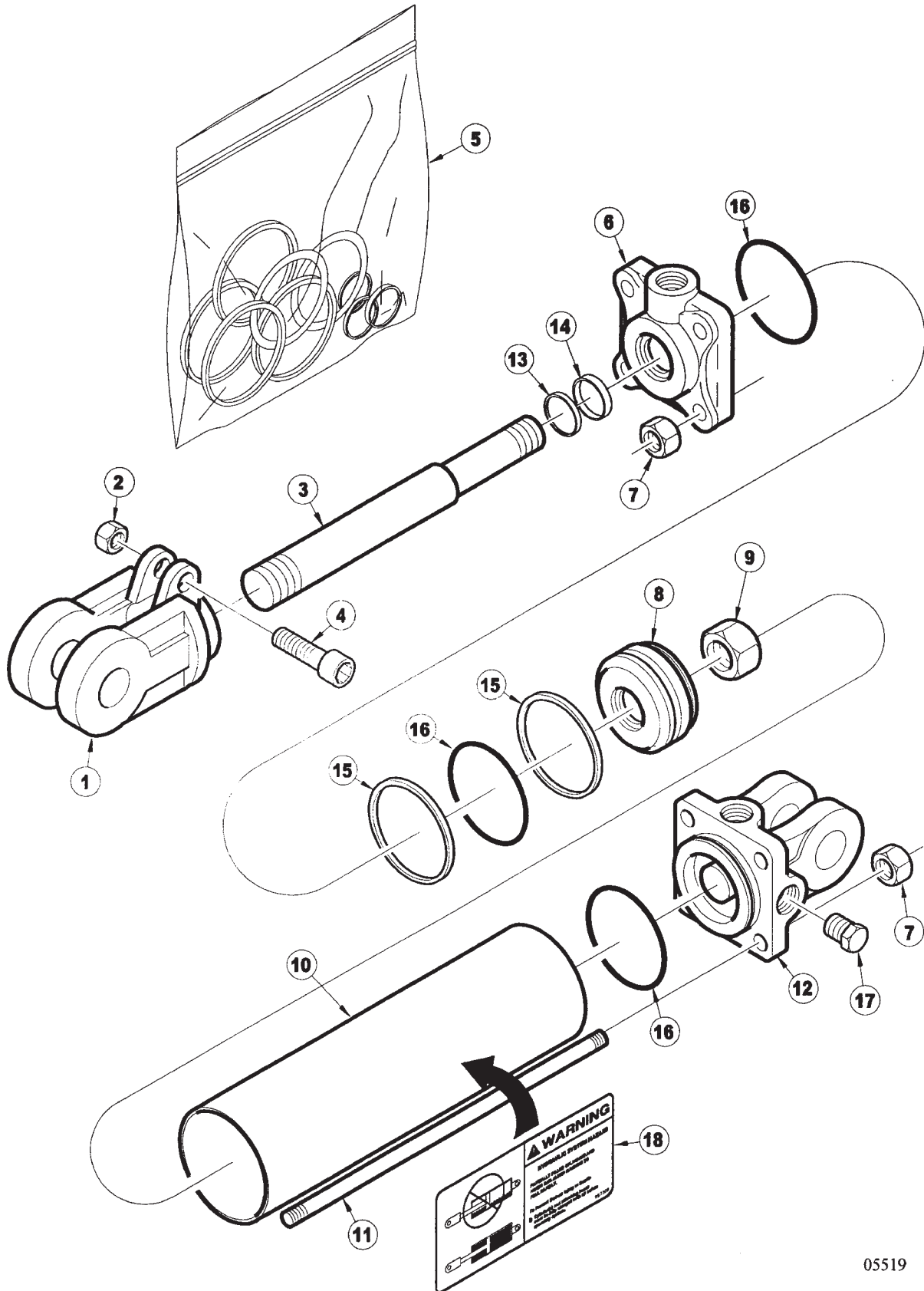
ITEM	NUMBER	QTY	DESCRIPTION
1	SN8618-1		CLEVIS, 1 1/4" THREADS, 1 1/4" PIN W
2	SN8671-1		CAPSCREW NUT, 5/16" THREADS CROSS
3	SN8877-1		ROD, 1 1/2" DIA, 16" CROSS
4	SN8631-1		CAPSCREW, CROSS
5	SN8789-1		SEAL KIT, 4", 1 1/2" ROD REPHAS
6	SN8744-10		HEAD, 4", 1 1/2" ROD, CROSS(ORB)
7	SN8864-1		TIE ROD NUT, 5/8" THREADS CROSS
8	SN8713-1		PISTON, 4" W/1" HOLE CROSS
9	SN8681-1		PISTON NUT, 3/4" CROSS
10	SN8833-1		TUBE, 4" X 16" CROSS
11	SN8854-1		TIE ROD BOLT, 4" X 16" CROSS
12	SN8692-10		BASE, 4" (ORB), 1 1/4" PIN CROSS
13			* WIPER
14			* U-CUP
15			* BACK-UP
16			* O-RING
17	SN4458		PLUG, 3/4"-16 MOR
18	SN997309		HYDRAULIC SYSTEM HAZARD
	SN9725		CYLINDER, 4" X 16" W/8618-1 CLEVIS (27"CPC) CROSS (VERSION 1, PRIOR TO 8/22/03)

NOTE:* AVAILABLE IN THE SEAL KIT ONLY.
WHEN ORDERING HYDRAULIC CYLINDER
COMPONENTS, NOTE THE PART NUMBER AND THE
CYLINDER PSI. (LOCATED ON THE CYLINDER
DECAL) AS THEY CONTAIN DIFFERENT
COMPONENTS. OLDER CYLINDERS WERE 2500
PSI. AND THE NEWER CYLINDERS ARE 3000
PSI. IDENTIFYING THE PART # OF THE
CYLINDER IS EXTREMELY IMPORTANT WHEN
ORDERING PARTS TO ENSURE PROPER
OPERATION OF THE HYDRAULIC CYLINDER.

I0005519
PR: t05g30m51b0035

9421 TWO SECTION FOLDING DRILL
SERVICE PARTS

4" X 16" FOLD CYLINDER 12012R
(VERSION 2, 8/22/03 & LATER)



**9421 TWO SECTION FOLDING DRILL
SERVICE PARTS**

81

**4" X 16" FOLD CYLINDER 12012R
(VERSION 2, 8/22/03 & LATER)**

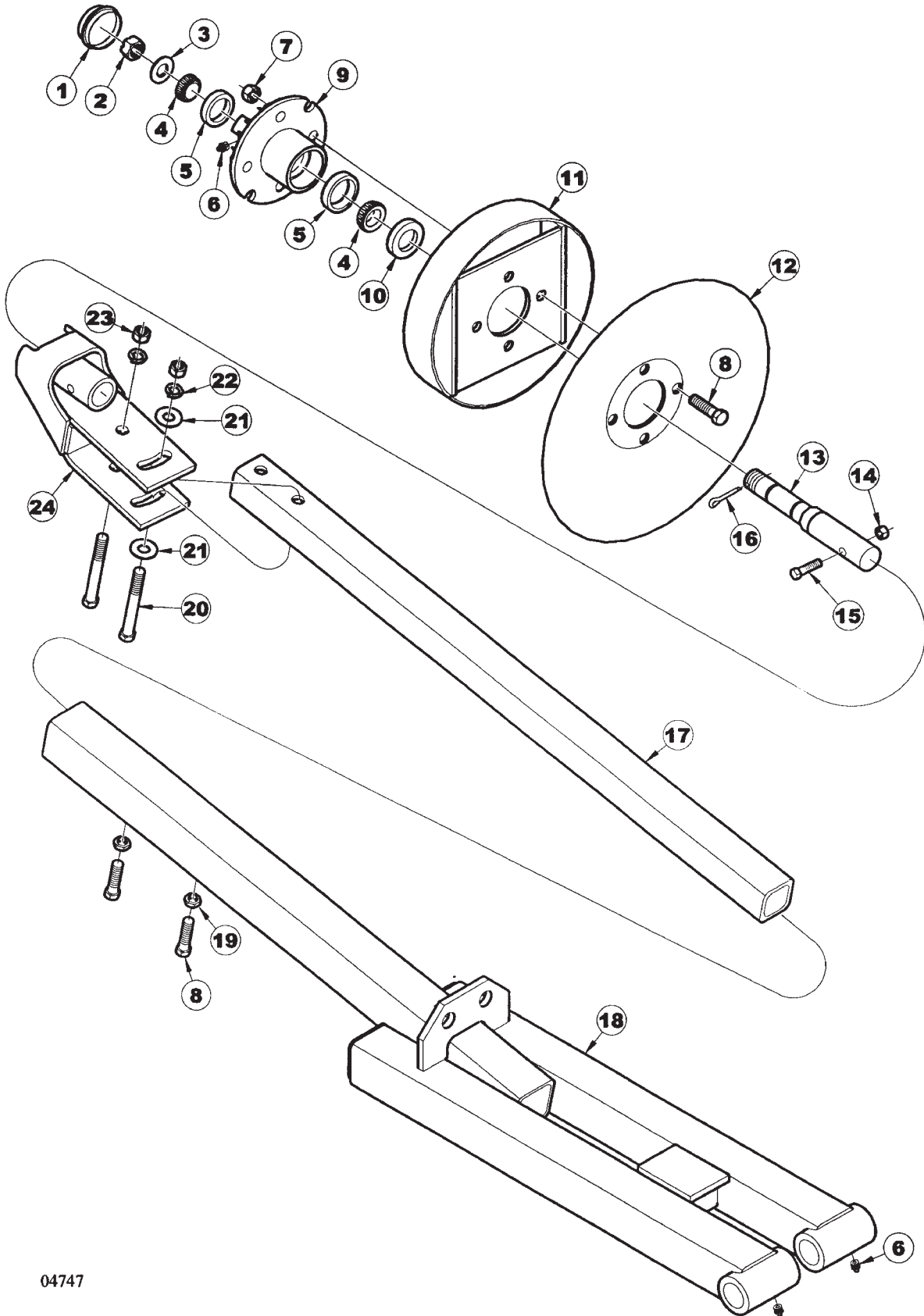
ITEM	NUMBER	QTY	DESCRIPTION
1	SN8618-1		CLEVIS, 1 1/4" THREADS, 1 1/4" PIN W
2	SN8671-1		CAPSCREW NUT, 5/16" THREADS CROSS
3	SN12011		ROD, 1 1/2" DIA, 16" CROSS
4	SN8631-1		CAPSCREW, CROSS
5	SN8612-1		SEAL KIT, 4", 1 1/2" ROD, CROSS
6	SN8273-1		HEAD, 4", 1 1/2" ROD, CROSS
7	SN8864-1		TIE ROD NUT, 5/8" THREADS CROSS
8	SN8682-1		PISTON, 4" W/1" HOLE, CROSS
9	SN8681-1		PISTON NUT, 3/4" CROSS
10	SN8833-1		TUBE, 4" X 16" CROSS
11	SN8970-1		TIE ROD BOLT, 3 3/4" X 16" CROSS
12	SN8971-10		BASE, 4" (ORB), 1 1/4" PIN, REPHASING CROSS
13			* WIPER
14			* U-CUP
15			* BACK-UP
16			* O-RING
17	SN4458		PLUG, 3/4"-16 MOR
18	SN997309		HYDRAULIC SYSTEM HAZARD
	SN12012		CYLINDER, 4" X 16" W/8618-1 CLEVIS(27" CPC) 3000 PSI (VERSION 2, 8/22/03 & LATER)

NOTE:* AVAILABLE IN THE SEAL KIT ONLY.
WHEN ORDERING HYDRAULIC CYLINDER
COMPONENTS, NOTE THE PART NUMBER AND THE
CYLINDER PSI. (LOCATED ON THE CYLINDER
DECAL) AS THEY CONTAIN DIFFERENT
COMPONENTS. OLDER CYLINDERS WERE 2500
PSI. AND THE NEWER CYLINDERS ARE 3000
PSI. IDENTIFYING THE PART # OF THE
CYLINDER IS EXTREMELY IMPORTANT WHEN
ORDERING PARTS TO ENSURE PROPER
OPERATION OF THE HYDRAULIC CYLINDER.

I0005519
PR: t05g30m51b0036

9421 TWO SECTION FOLDING DRILL
SERVICE PARTS

ROW MARKER ASSEMBLY



**9421 TWO SECTION FOLDING DRILL
SERVICE PARTS**

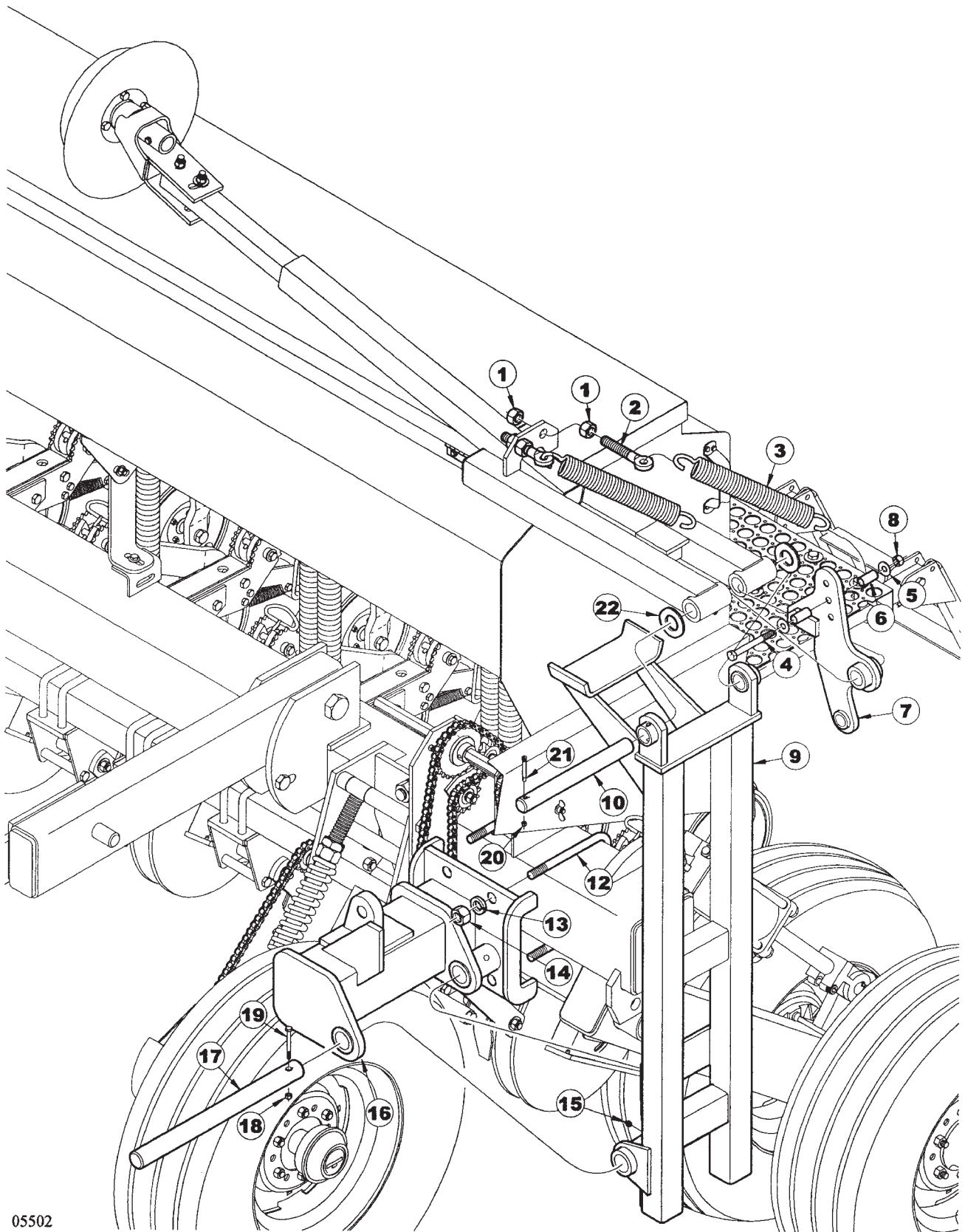
83

ROW MARKER ASSEMBLY

ITEM	NUMBER	QTY	DESCRIPTION
1	SN7779		DUST CAP, 1.986" OD X .032" TH Y/D
2	SN7778		HEX NUT, 1"-14 SLOTTED .531" TH GR 2, PLAIN
3	SN3303		WASHER, 1 1/32" ID X 1 3/4" ODX 1/8" THICK, PLAIN
4	SN776		BEARING (L44643)
5	SN777		RACE (L44610)
6	SN2098-1		GREASE ZERK, 1/8" NPTF, 5/8" L
7	SN2096		LOCK NUT, 1/2"-13 HEX NYLON INSERT, GR 8,
8	SN2045		HEX BOLT, 1/2"-13 X 1 3/4", GR5, Y/D
9	SN7780		FOUR BOLT HUB W/CUPS & ZERK
10	SN7775		SEAL, SINGLE LIP
11	SN7781		MARKER ARM DEPTH BAND
12	SN7773		14" BLADE, 4 BOLT, .138" THICK .78" CONCAVITY
13	SN7825		SPINDLE, 1 1/4" X 8 5/8" (1"-14 UNS THD)
14	SN3567		LOCK NUT, 3/8"-16 HEX NYLON INSERT, GR 2, Y/D
15	SN2487		HEX BOLT, 3/8"-16 X 2 1/2", GR 5, Y/D
16	SN1609		COTTER PIN, 3/16" X 1 1/2"
17	SN9443R		EXTENSION ARM, 36" (20' & 25' MARKER)
	SN9764		EXTENSION ARM, 66" (30' MARKER)
18	SN9442R		MARKER ARM, OUTER (20' MODEL - SHOWN)
	SN9470		MARKER ARM, OUTER (25' & 30' MODEL)
19	SN159		JAM NUT, 1/2"-13, GR 2, Y/D
20	SN1507		HEX BOLT, 1/2"-13 X 3 1/2", GR 5, Y/D
21	SN486		FLAT WASHER, 1/2", Y/D
22	SN113		LOCK WASHER, 1/2" SPLIT TYPE MED, Y/D
23	SN114		HEX NUT, 1/2"-13 FULL, GR 2, Y/D
24	SN7782		HUB BRACKET

I0004747
PR: t05g30m51b0037

ROW MARKER MOUNT ASSEMBLY



**9421 TWO SECTION FOLDING DRILL
SERVICE PARTS**

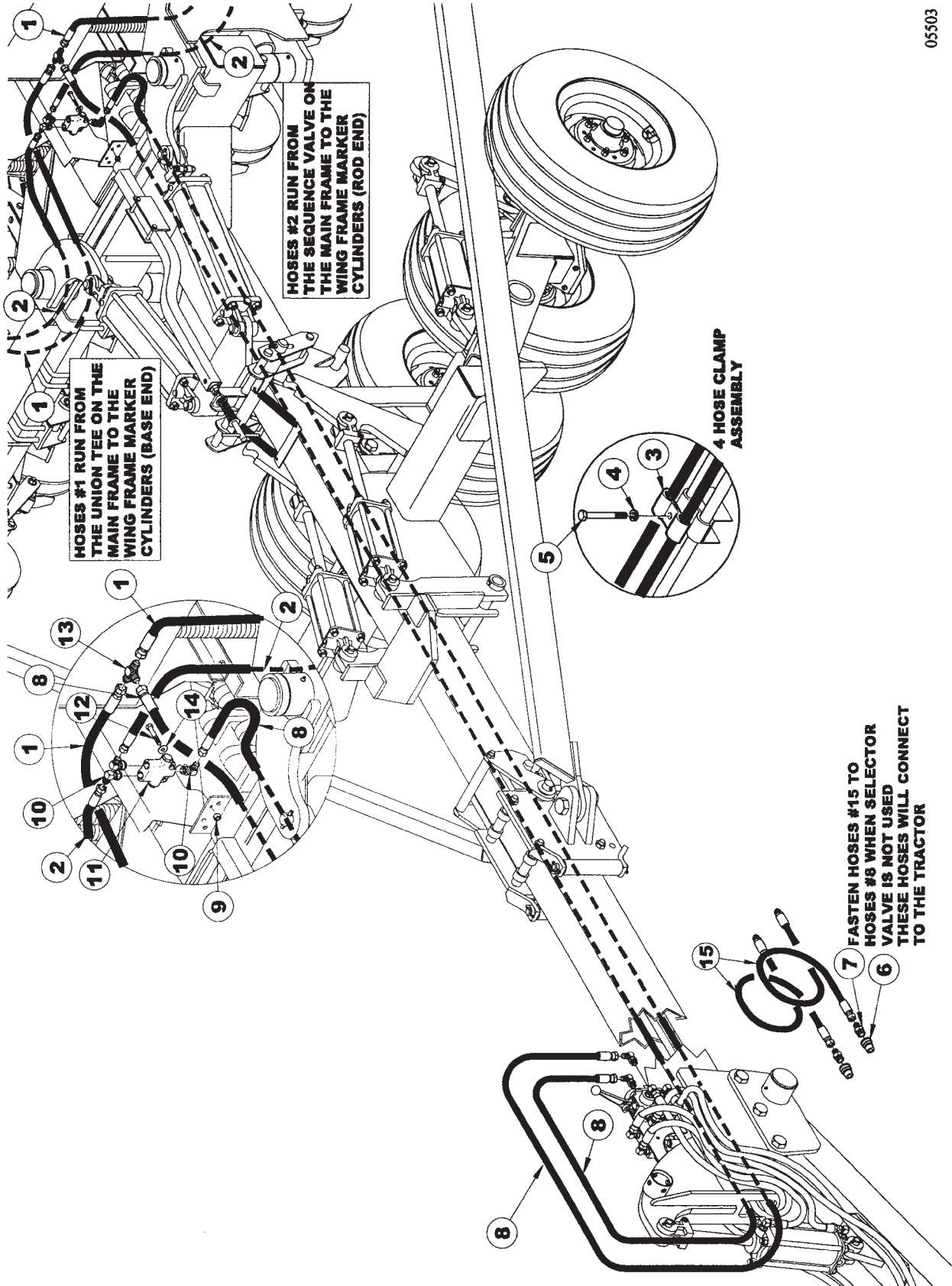
85

ROW MARKER MOUNT ASSEMBLY

ITEM	NUMBER QTY	DESCRIPTION
1	SN1243	JAM NUT, 3/4"-10 HEX, GR 2, Y/D
2	SN5731	EYE BOLT, 3/4"-10 X 4 1/2"
3	SN5732	SPRING, 1.40" OD X .82" ID X 16 1/4" L
4	SN140	HEX BOLT, 1/2"-13 X 4 1/2", GR 5, Y/D
5	SN486	FLAT WASHER, 1/2", Y/D
6	SN9466R	SPACER, MARKER LEVER
7	SN9441R	LEVER, MARKER
8	SN2096	LOCK NUT, 1/2"-13 HEX NYLON INSERT, GR 8, Y/D
9	SN9438	MARKER ARM, INNER
10	SN9440	PIN, 1 1/4" X 12"(11 11/32") Y/D
11	SN3164	ROLL PIN, 5/16" X 2" SPIRAL MEDIUM DUTY, Y/D
12	SNDR80044	U-BOLT, 7/8"-9 X 8 3/4" X 7 15/16" W, GR 5, Y/D
13	SN396	LOCK WASHER, 7/8" SPLIT TYPE MED, Y/D
14	SN397	HEX NUT, 7/8"-9 FULL, GR 2, Y/D
15	SN2098-1	GREASE ZERK, 1/8" NPTF, 5/8" L
16	SN9436	MARKER MOUNT, RIGHT (20' DRILLS)
	SN9437	MARKER MOUNT, LEFT (20' DRILLS)
	SN9869	MARKER MOUNT, RIGHT (25' & 30' DRILLS)
	SN9870	MARKER MOUNT, LEFT (25' & 30' DRILLS)
17	SN9439	PIN, 1 1/2" X 18"(16 47/64") Y/D
18	SN2096	LOCK NUT, 1/2"-13 HEX NYLON INSERT
19	SN156	HEX BOLT, 1/2"-13 X 3", GR 5, Y/D
20	SNFK150172	FLAT WASHER, 1 1/4" SAE, Y/D

I0005502
PR: t05g30m51b0038

MAIN FRAME ROW MARKER HYDRAULICS



05503

**9421 TWO SECTION FOLDING DRILL
SERVICE PARTS**

87

MAIN FRAME ROW MARKER HYDRAULICS

ITEM	NUMBER	QTY	DESCRIPTION
1	SN4195011		HOSE, 1/4" X 195"L, 9/16"-14 F/ENDS (20' MODEL)
	SN4187011		HOSE, 1/4" X 187"L, 9/16"-14 F/ENDS (25' MODEL)
	SN4248011		HOSE, 1/4" X 248" L, 9/16"-18 F/ENDS (30' MODEL)
2	SN4195011		HOSE, 1/4" X 195"L, 9/16"-14 F/ENDS (20' MODEL)
	SN4219011		HOSE, 1/4" X 219"L, 9/16"-14 F/ENDS (25' MODEL)
	SN4215011		HOSE, 1/4" X 215"L, 9/16"-18 F/ENDS (30' MODEL)
3	SN5302		PIPE CLAMP, 3/8" BOLT HOLE
4	SN176		LOCK WASHER, 3/8" SPLIT TYPE MED, Y/D
5	SN3984		HEX BOLT, 3/8"-16 X 1 1/4", GR 5, Y/D
6	SN3253		HYDRAULIC COUPLER, MALE HALF
7	SN6177		MALE CONNECTOR, 9/16"-18 M.F. X 1/2"-14 M.P.T.
8	SN4270011		HOSE, 1/4" X 270" L, 9/16"-18 F/ENDS
9	SN3567		LOCK NUT, 3/8"-16 HEX NYLON INSERT, GR 2, Y/D
10	SN6935		90 DEGREE STRAIGHT THD ELBOW 9/16"-18 M.F. X 3/4"-16 OR
11	SNDR56006		VALVE, 3/4-16 OR SEQUENCE
12	SN474		HEX BOLT, 3/8"-16 X 2", GR 5 Y/D
13	SN7077		UNION TEE, 9/16"-18 M.F.
14	SN317		FLAT WASHER, 3/8", Y/D
15	SN4050012		HOSE, 1/4" X 50" L, 9/16"-18 M/F ENDS

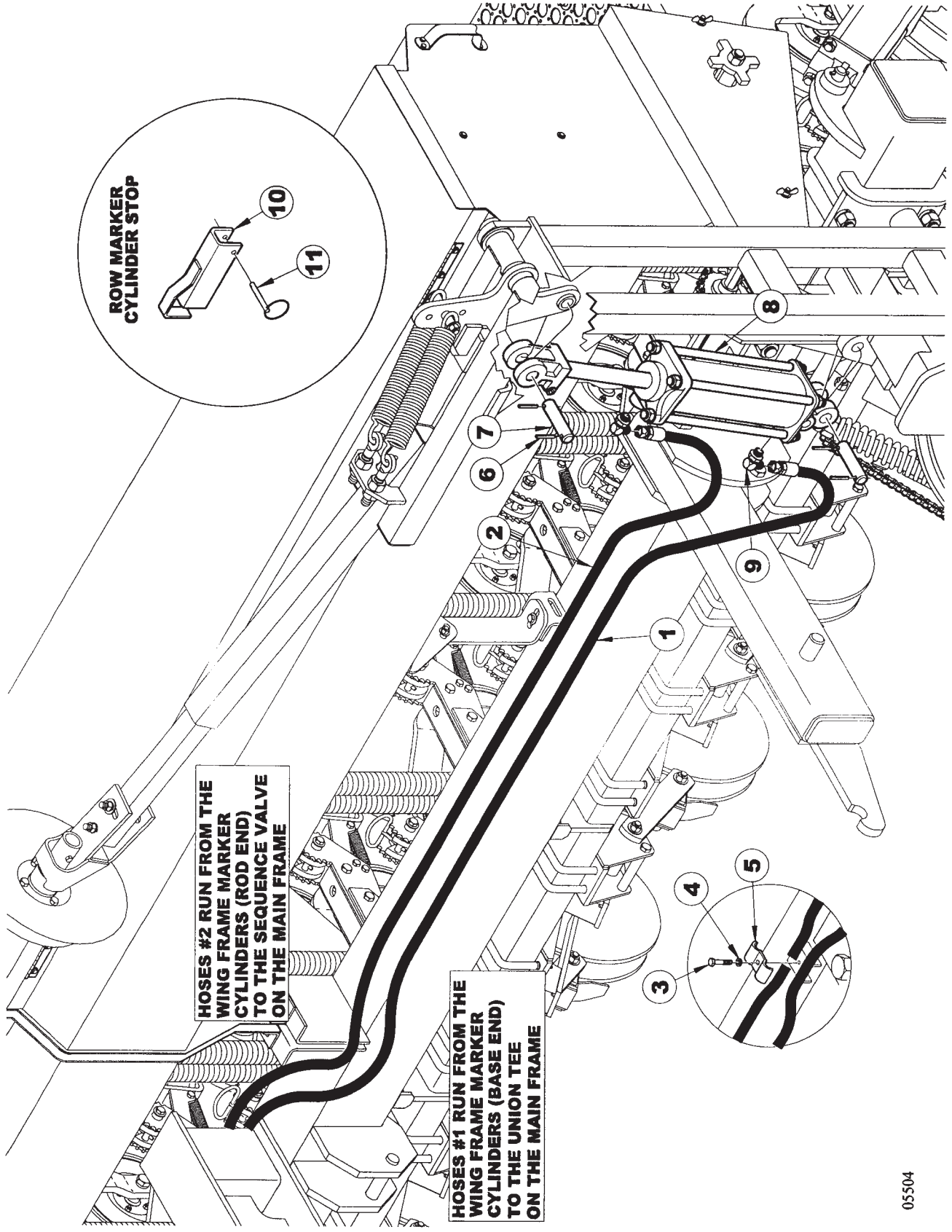
*NOTE: OPTIONAL SELECTOR VALVE ASSEMBLY
PARTS BREAKDOWN IS SHOWN IN THE FOLD
HYDRAULICS.

WARNING

THESE PARTS ARE IMPORTANT TO THE SAFETY
OF THIS EQUIPMENT AND THOSE WHO OPERATE
IT. USE ONLY EXACT REPLACEMENT PARTS TO
PREVENT HYDRAULIC FAILURE. BEFORE
REPLACING THESE PARTS, REVIEW AND FOLLOW
THE INSTRUCTIONS IN THE SAFETY AND
OPERATING SECTIONS OF THIS MANUAL.

I0005503
PR: t05g30m51b0039

WING FRAME ROW MARKER HYDRAULICS



**9421 TWO SECTION FOLDING DRILL
SERVICE PARTS**

89

WING FRAME ROW MARKER HYDRAULICS

ITEM	NUMBER	QTY	DESCRIPTION
1	SN4195011		HOSE, 1/4" X 195"L, 9/16"-14 F/ENDS (20' MODEL)
	SN4187011		HOSE, 1/4" X 187"L, 9/16"-14 F/ENDS (25' MODEL)
	SN4248011		HOSE, 1/4" X 248" L, 9/16"-18 F/ENDS (30' MODEL)
2	SN4195011		HOSE, 1/4" X 195"L, 9/16"-14 F/ENDS (20' MODEL)
	SN4219011		HOSE, 1/4" X 219"L, 9/16"-14 F/ENDS (25' MODEL)
	SN4215011		HOSE, 1/4" X 215"L, 9/16"-18 F/ENDS (30' MODEL)
3	SN3984		HEX BOLT, 3/8"-16 X 1 1/4", GR 5, Y/D
4	SN176		LOCK WASHER, 3/8" SPLIT TYPE MED, Y/D
5	SN5302		PIPE CLAMP, 3/8" BOLT HOLE
6	SN3164		ROLL PIN, 5/16" X 2" SPIRAL MEDIUM
7	SN5339		PIN, 1" X 4 1/16" (3"), Y/D
8	SN6633		CYLINDER, 3" X 20" (30 1/4" CPC) ORB (*VERSION 1, PRIOR TO 8/28/03)
	SN12024		CYLINDER, 3" X 20" (30 1/4" CPC) ORB CROSS, 3000 PSI (*VERSION 2, 8/28/03 & LATER)
9	SN6935		90 DEGREE STRAIGHT THD ELBOW 9/16"-18 M.F. X 3/4"-16 OR
10	SN10032		CYLINDER STOP, MARKER
11	SN5201		BALL LOCK PIN, 3/8" X 3" (2 5/8")

NOTE: *WHEN ORDERING HYDRAULIC CYLINDER COMPONENTS, NOTE THE PART NUMBER AND THE CYLINDER PSI. (LOCATED ON THE CYLINDER DECAL) AS THEY CONTAIN DIFFERENT COMPONENTS. OLDER CYLINDERS WERE 2500 PSI. AND THE NEWER CYLINDERS ARE 3000 PSI. IDENTIFYING THE PART # OF THE CYLINDER IS EXTREMELY IMPORTANT WHEN ORDERING PARTS TO ENSURE PROPER OPERATION OF THE HYDRAULIC CYLINDER.

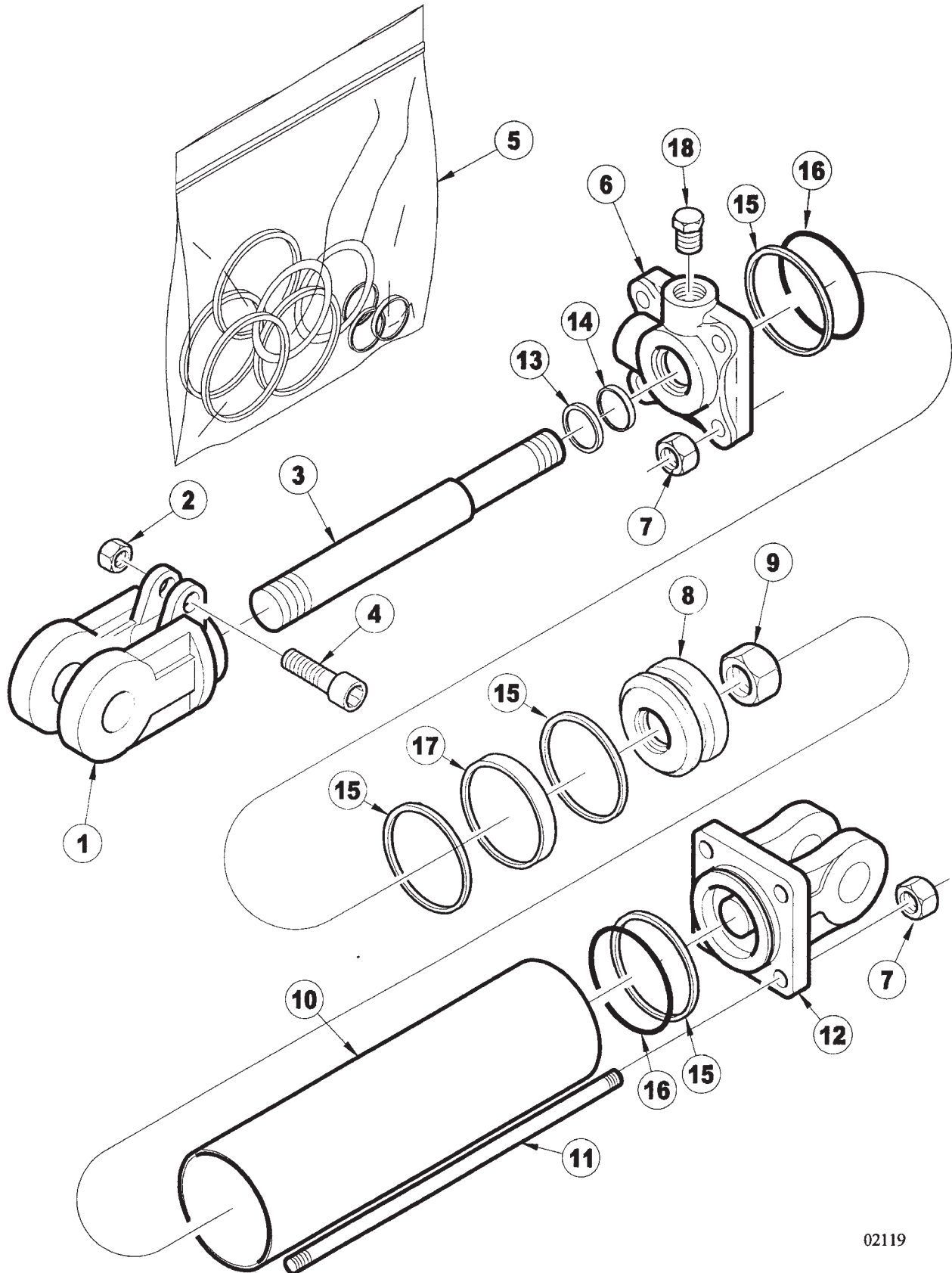
WARNING

THESE PARTS ARE IMPORTANT TO THE SAFETY OF THIS EQUIPMENT AND THOSE WHO OPERATE IT. USE ONLY EXACT REPLACEMENT PARTS TO PREVENT HYDRAULIC FAILURE. BEFORE REPLACING THESE PARTS, REVIEW AND FOLLOW THE INSTRUCTIONS IN THE SAFETY AND OPERATING SECTIONS OF THIS MANUAL.

I0005504
PR: t05g30m51b0040

9421 TWO SECTION FOLDING DRILL
SERVICE PARTS

3" X 20" HYDRAULIC CYLINDER 6633R
(VERSION 1, PRIOR TO 8/28/03)



**9421 TWO SECTION FOLDING DRILL
SERVICE PARTS**

91

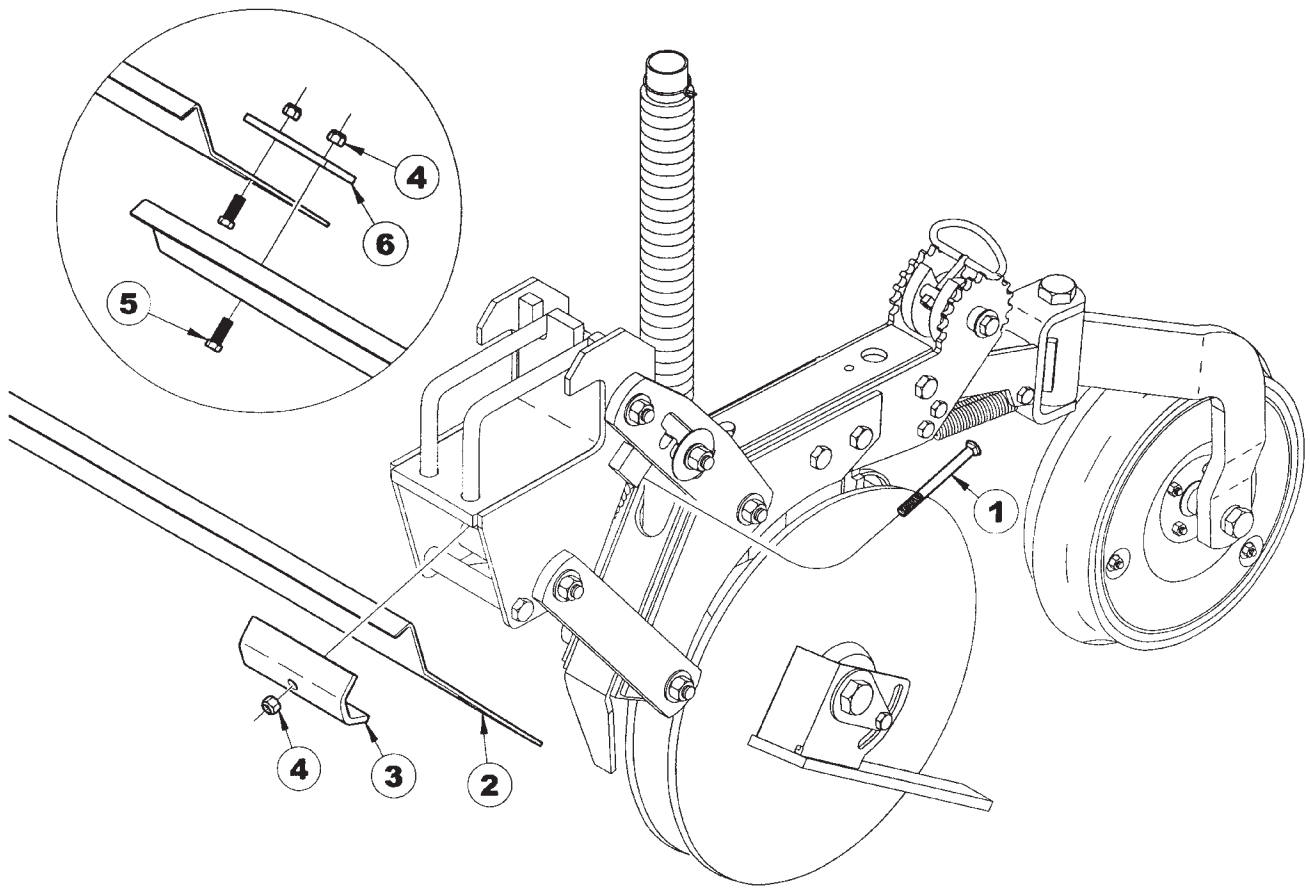
**3" X 20" HYDRAULIC CYLINDER 6633R
(VERSION 1, PRIOR TO 8/28/03)**

ITEM	NUMBER	QTY	DESCRIPTION
1	SN8610-1		CLEVIS, 1 1/4" THREADS, 1" PIN W/BUSHING,CROSS
2	SN8671-1		CAPSCREW NUT, 5/16" THREADS CROSS
3	SN8878-1		ROD, 1 1/4" DIA, 20" CROSS
4	SN8631-1		CAPSCREW, CROSS
5	SN8762-1		SEAL KIT, 3", 1 1/4" ROD, CROSS
6	SN8722-10		HEAD, 3", 1 1/4" ROD, CROSS (ORB)
7	SN8866-1		TIE ROD NUT, 1/2"-13 UNC CROSS
8	SN8711-1		PISTON, 3" W/3/4" HOLE CROSS
9	SN8681-1		PISTON NUT, 3/4" CROSS
10	SN8806-1		TUBE, 3" X 20" CROSS
11	SN8872-1		TIE ROD BOLT, 3" X 20", CROSS
12	SN8701-10		BASE, 3" (ORB) CROSS
13			* WIPER
14			* U-CUP
15			* BACKUP
16			* O-RING
17			* TEFLON RING
18	SN4458		PLUG, 3/4"-16 O.R.
	SN6633		CYLINDER, 3" X 20" (30 1/4" CPC) ORB CROSS (VERSION 1, PRIOR TO 8/28/03)

NOTE: * AVAILABLE IN THE SEAL KIT ONLY.
WHEN ORDERING HYDRAULIC CYLINDER
COMPONENTS, NOTE THE PART NUMBER AND THE
CYLINDER PSI. (LOCATED ON THE CYLINDER
DECAL) AS THEY CONTAIN DIFFERENT
COMPONENTS. OLDER CYLINDERS WERE 2500
PSI. AND THE NEWER CYLINDERS ARE 3000
PSI. IDENTIFYING THE PART # OF THE
CYLINDER IS EXTREMELY IMPORTANT WHEN
ORDERING PARTS TO ENSURE PROPER
OPERATION OF THE HYDRAULIC CYLINDER.

I0002119
PR: t05g30m51b0041

OPENER SHIELD ASSEMBLY



**9421 TWO SECTION FOLDING DRILL
SERVICE PARTS**

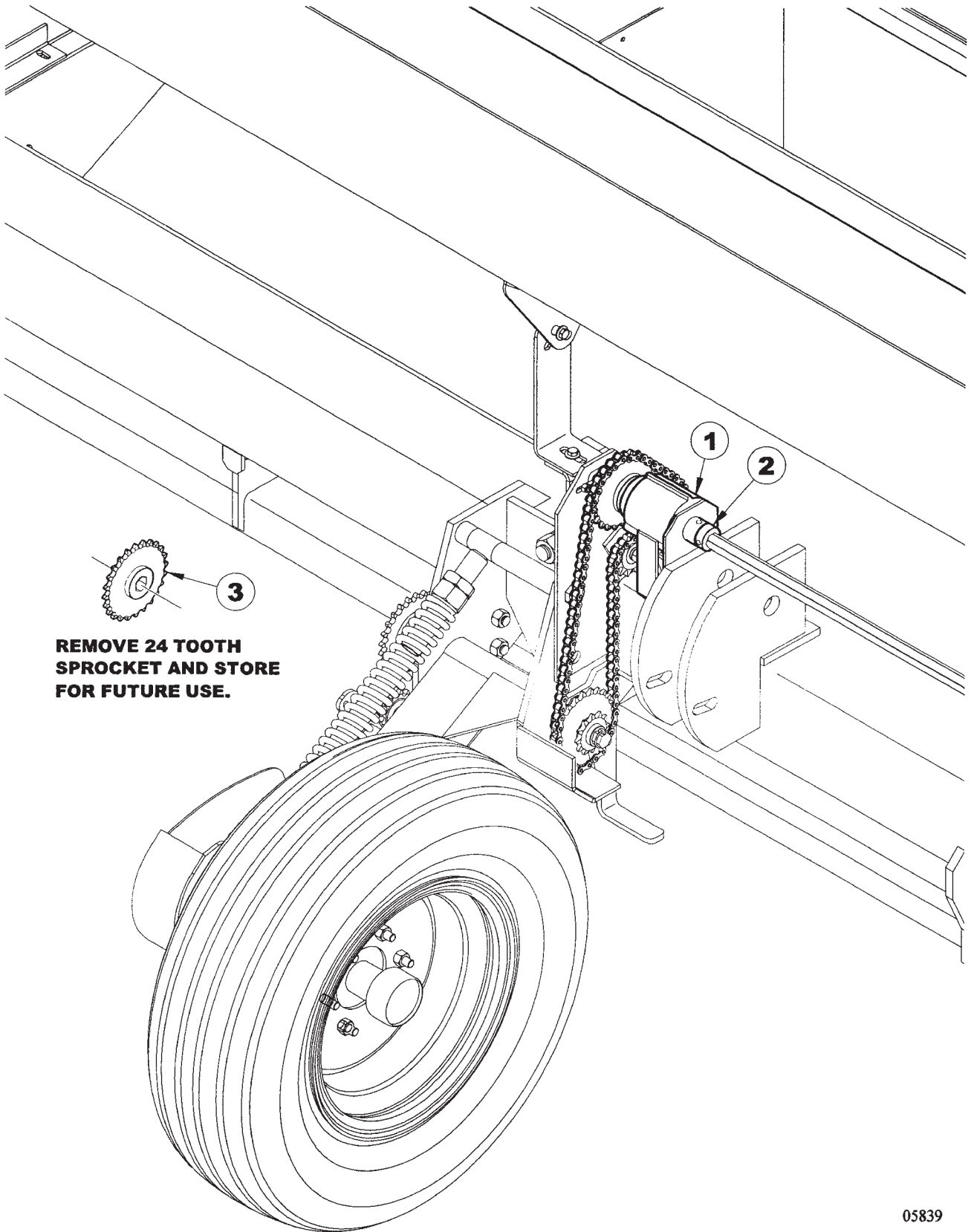
93

OPENER SHIELD ASSEMBLY

ITEM	NUMBER	QTY	DESCRIPTION
1	SN6682		CARRIAGE BOLT, 3/8"-16 X 4 1/4"
2	SN7223		OPENER SHIELD, 5'
	SN7224		OPENER SHIELD, 7.5'
3	SN7221		MOUNTING CLIP
4	SN3567		LOCK NUT, 3/8"-16 HEX NYLON INSERT
5	SN178		HEX BOLT, 3/8"-16 X 1", GR 5, Y/D
6	SN7222		TIE STRAP
	SN7228		OPENER SHIELD ASSY, 20' DRILL
	SN9784		OPENER SHIELD ASSY, 25' DRILL
	SN7229		OPENER SHIELD ASSY, 30' DRILL

I0004995
PR: t05g30m51b0042

ELECTRIC CLUTCH KIT



**9421 TWO SECTION FOLDING DRILL
SERVICE PARTS**

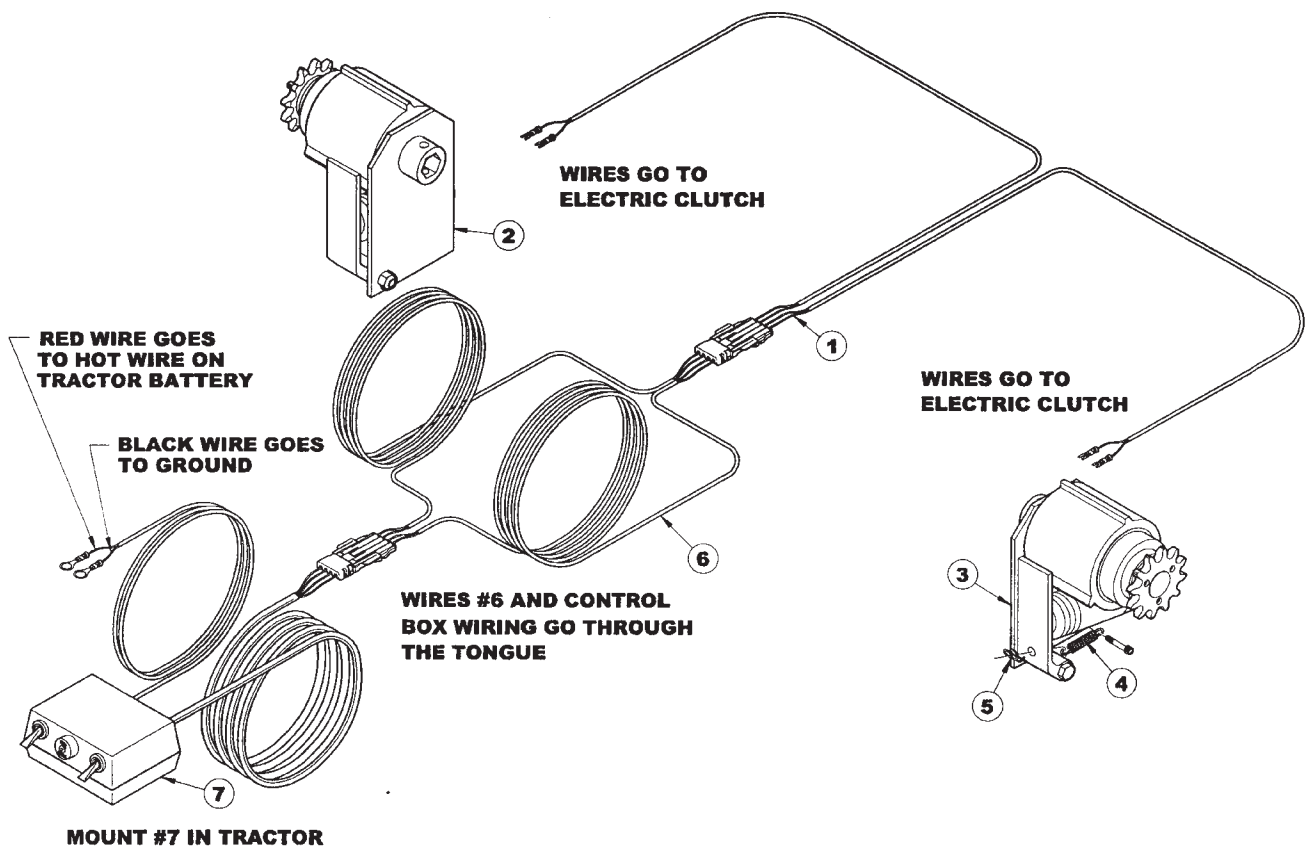
95

ELECTRIC CLUTCH KIT

ITEM	NUMBER	QTY	DESCRIPTION
1	SN10055		CLUTCH, RIGHT
	SN10056		CLUTCH, LEFT
2	SN9083		KLIK PIN, 1/4" DIA X 2 1/8"
3	SN9079		SPROCKET, 24 TOOTH, 7/8" HEX BORE

I0005839
PR: t05g30m51b0043

ELECTRIC CLUTCH KIT ASSEMBLY



9421 TWO SECTION FOLDING DRILL
SERVICE PARTS

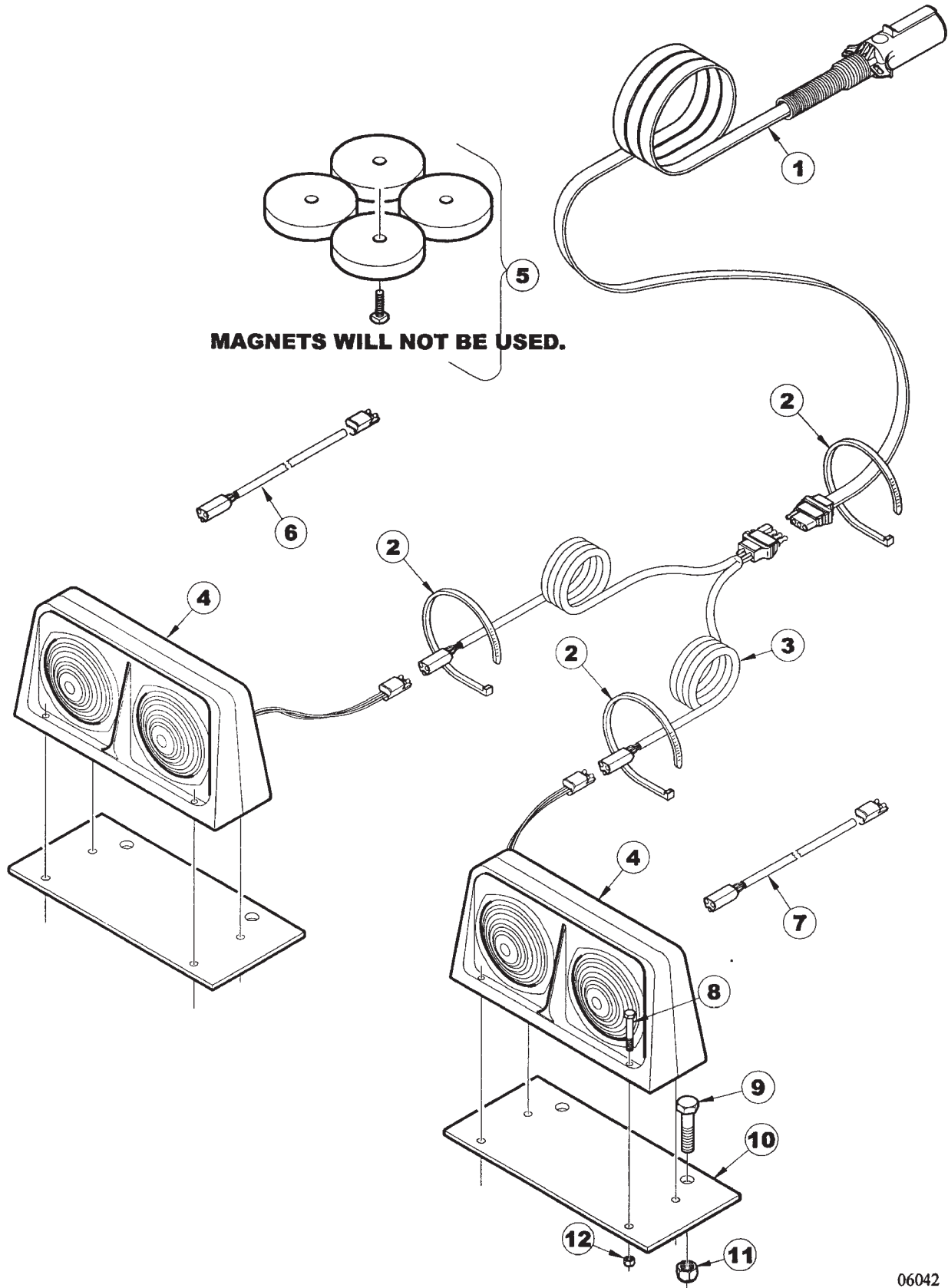
97

ELECTRIC CLUTCH KIT ASSEMBLY

ITEM	NUMBER	QTY	DESCRIPTION
1	SN10050		HARNESS, EXTENSION 20'
2	SN10055		CLUTCH, RIGHT
3	SN10056		CLUTCH, LEFT
4	SN10053		EXTENSION SPRING
5	SN10054		CLIP
6	SN10051		HARNESS, PLANTER
7	SN10052		CONTROL BOX ASSY
	SN9874		CLUTCH KIT, SINGLE
	SN9875		CLUTCH KIT, DOUBLE

I0005711
PR: t05g30m51b0044

LIGHT KIT ASSEMBLY



**9421 TWO SECTION FOLDING DRILL
SERVICE PARTS**

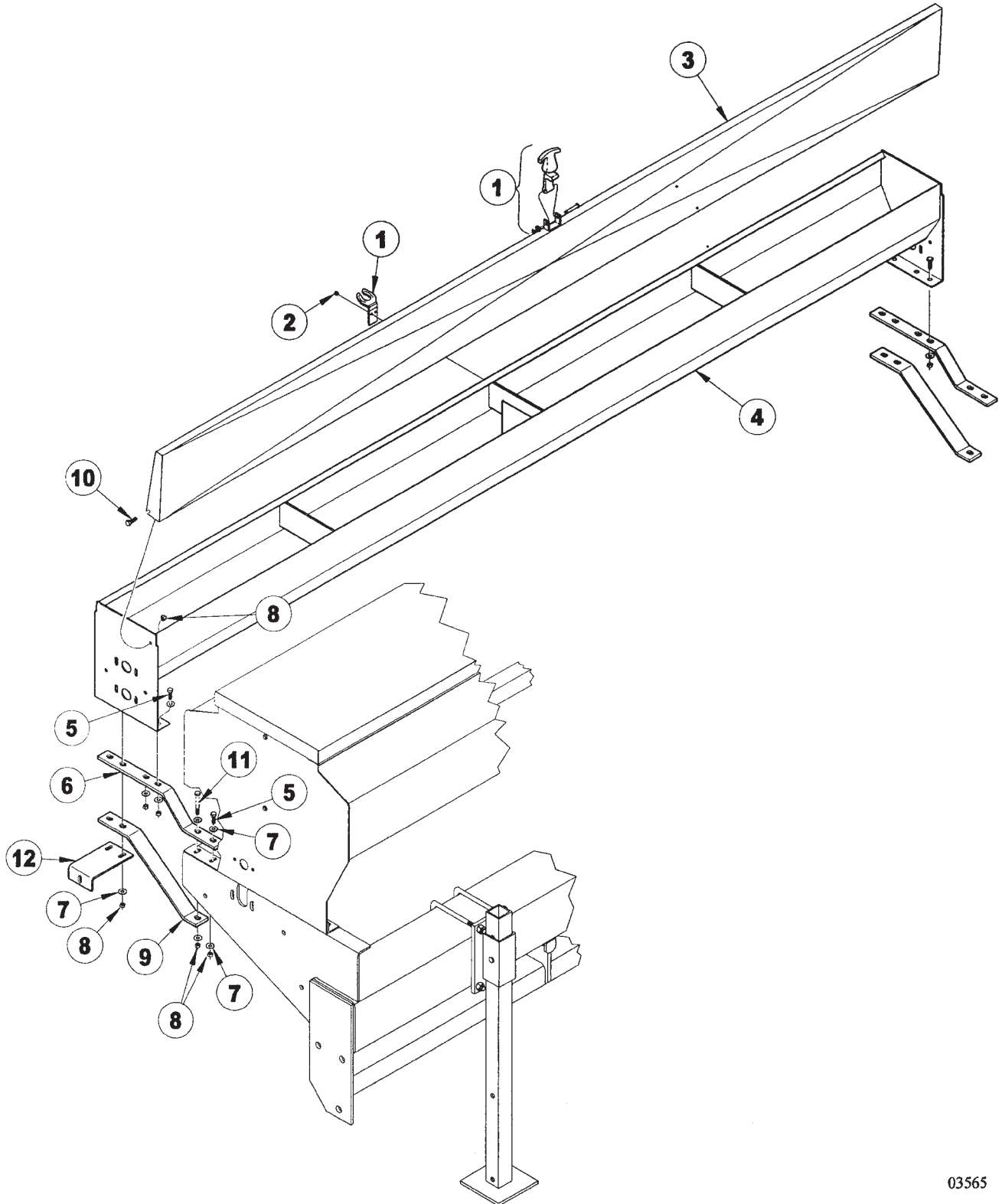
99

LIGHT KIT ASSEMBLY

ITEM	NUMBER	QTY	DESCRIPTION
1	SN5846		HARNESS, 25' STR SEC, SHIELDED FESTOON CABLE W/CONN
2	SN2587		PLASTIC HOSE STRAP, 21 1/2" L
3	SN5847		HARNESS, 15' WISHBONE W/FLAT & TRIANGULAR CONNECTOR
4	SN5844		DUAL LAMP, AMBER FT/REAR & RED REAR, RIGHT
	SN5845		DUAL LAMP, AMBER FT/REAR & RED REAR,LEFT
5	SN5857		MAGNET KIT
6	SN5849		HARNESS, 5' EXTENSION W/TRIAN-GULAR CONNECTORS, LEFT
7	SN5848		HARNESS, 5' EXTENSION W/TRIAN-GULAR CONNECTORS, RIGHT
8	SN2750		HEX BOLT, 1/4"-20 X 1 1/4", GR 2, Y/D
9	SN1823		HEX BOLT, 1/2"-13 X 1 1/4", GR 5, Y/D
10	SN9410		LIGHT BRACKET
11	SN2096		LOCK NUT, 1/2"-13 HEX NYLON INSERT
12	SN3881		LOCK NUT, 1/4"-20 HEX NYLON INSERT, GR 2, Y/D
	SN5838		LIGHT KIT WITH HARDWARE (INCLUDES ITEMS 1-5)

I0006042
PR: t05g30m51b0045

GRASS SEEDER HOPPER ASSEMBLY (OPTIONAL)



9421 TWO SECTION FOLDING DRILL

101

SERVICE PARTS

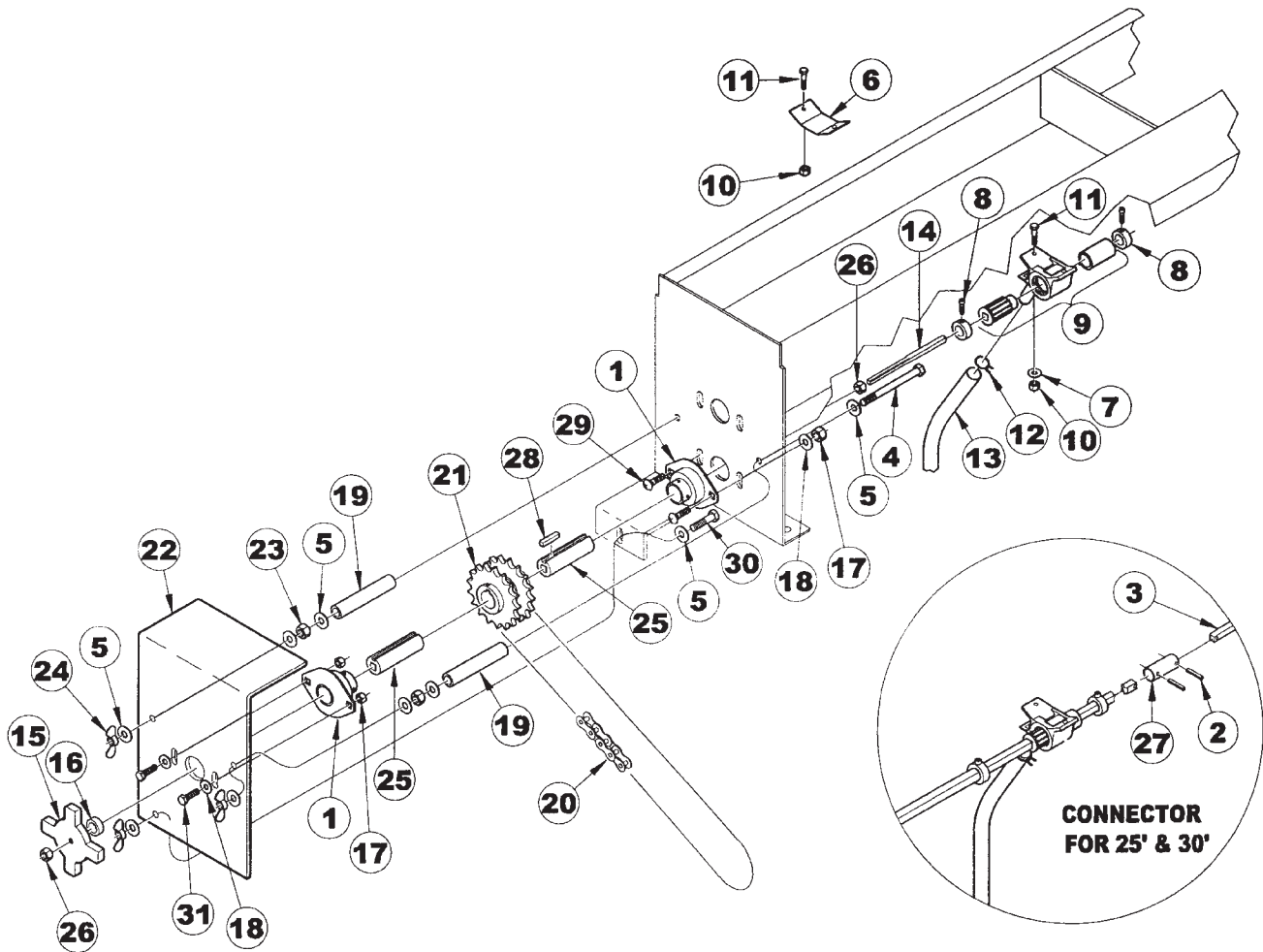
GRASS SEEDER HOPPER ASSEMBLY (OPTIONAL)

ITEM	NUMBER	QTY	DESCRIPTION
1	SNA0007		HOPPER LATCH ASSEMBLY
2	SNDR12034		RIVET, 3/16" X 1/4"
3	SN9930R		HOPPER LID, 12' GRASS SEED (25')
	SNBP10065		HOPPER LID, 7 1/2' GRASS SEED (30')
	SNBP10076		HOPPER LID, 10' GRASS SEED (20' SHOWN)
4	SN9931R		HOPPER BOX, 12' GRASS SEED (25')
	SNBP10296		HOPPER BOX, 7 1/2' GRASS SEED (30')
	SNBP10074		HOPPER BOX, 10' GRASS SEED (20' SHOWN)
5	SN175		HEX BOLT, 3/8"-16 X 1 1/2", GR 5, Y/D
6	SNBP10030		BRACKET, UPPER GRASS ATTACHMENT
7	SN317		FLAT WASHER, 3/8", Y/D
8	SN3567		LOCK NUT, 3/8"-16 HEX NYLON INSERT, GR 2, Y/D
9	SNBP10031		BRACKET, LOWER GRASS ATTACHMENT
10	SN178		HEX BOLT, 3/8"-16 X 1", GR 5, Y/D
11	SNFK150221		HEX BOLT, 3/8"-16 X 5" GR 5, Y/D
12	SN7956		BRACKET, LOWER CHAIN GUARD

I0003565
PR: t05g30m51b0046

9421 TWO SECTION FOLDING DRILL
SERVICE PARTS

GRASS SEEDER SHAFT ASSEMBLY



**9421 TWO SECTION FOLDING DRILL
SERVICE PARTS**

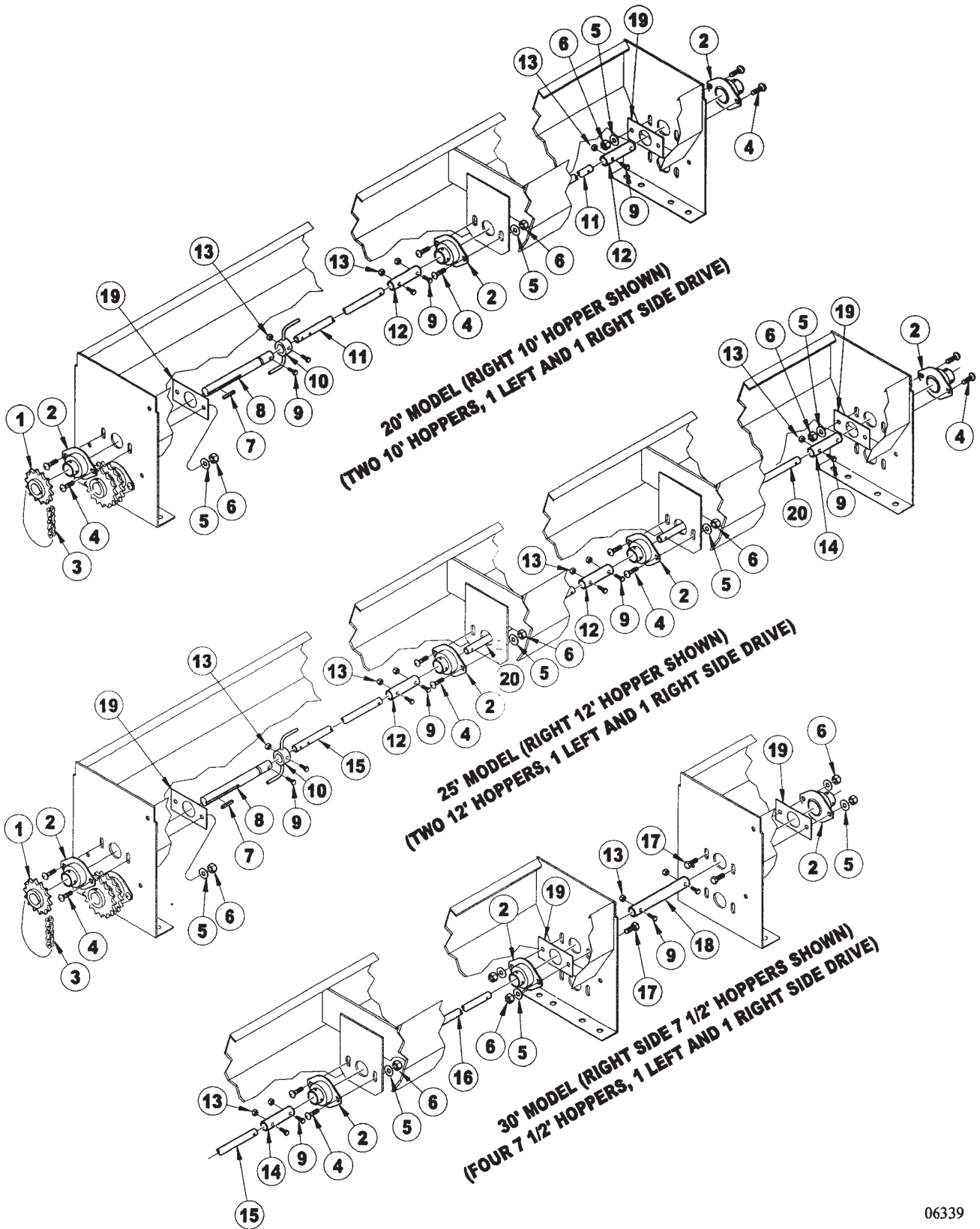
103

GRASS SEEDER SHAFT ASSEMBLY

ITEM	NUMBER	QTY	DESCRIPTION
1	SNDR30009		BEARING, 1" LFST
2	SNFK150189		ROLL PIN, 1/8" X 1 1/4" (25' & 30')
3	SN9934		SHAFT, 60", 3/8" SQ, Y/D (25')
	SN6694		SHAFT, 88 1/4", 3/8" SQ, Y/D (30')
4	SN7952		HEX BOLT, 3/8"-16 X 5 1/2", GR 5, Y/D
5	SN317		FLAT WASHER, 3/8", Y/D
6	SNBP10041		PLUG, SEED METER
7	SN506		FLAT WASHER, 1/4", Y/D
8	SNDR12006		LOCKING COLLAR, 9/16"
9	SNA0119		SEED METER ASSEMBLY, GRASS SEED
10	SN3881		LOCK NUT, 1/4"-20 HEX NYLON INSERT, GR 2, Y/D
11	SNDR10025		HEX BOLT, 1/4"-20 X 5/8", GR 5, Y/D
12	SNDR12003		CLAMP, GRASS SEED TUBE
13	SNDR20005		SEED TUBE, .875" OD X .625" ID, 125"W, 48" L
14	SN6694		SHAFT, 88 1/4", 3/8" SQ, Y/D (30')
	SN7953		SHAFT, 96 1/2", 3/8" SQ, Y/D (25' & 30')
	SN7954		SHAFT, 126 1/2", 3/8" SQ, Y/D (20')
15	SNB1142		ADJUSTMENT KNOB, Y/D
16	SN6713		SPACER, 1.00" OD X .563" ID, 1" L, Y/D
17	SN6378		LOCK NUT, 5/16" HEX NYLON INSERT GR 5, Y/D
18	SN6377		FLAT WASHER, 5/16" Y/D
19	SN7955R		SPACER, .750" OD X .437 ID, 4" L
20	SN6711		CHAIN, 48 1/8" W/HALF LINK NO. 50
21	SN6710		SPROCKET, DOUBLE (2) 17 TOOTH, 1" BORE #50 CHAIN
22	SN7957		CHAIN GUARD BEARING BRACKET, RIGHT GRASS SEEDER (SHOWN)
	SN7958		CHAIN GUARD BEARING BRACKET, LEFT GRASS SEEDER
23	SN177		HEX NUT, 3/8"-16 FULL, GR 2, Y/D
24	SNDR10506		WING NUT, 3/8"-16, Y/D
25	SN6569		BUSHING, KEYED 1" OD X .380" SQ ID, 2 1/2" L, Y/D
26	SN159		JAM NUT, 1/2"-13, GR 2, Y/D
27	SN6695		CONNECTOR, METER SHAFT (3/8")(25' & 30')
28	SNDR41509		KEY, 1/4" X 1 1/4" SPROCKET
29	SN6376		CARRIAGE BOLT, 5/16"-18 X 1" GR 5, Y/D
30	SN3984		HEX BOLT, 3/8"-16 X 1 1/4", GR 5, Y/D
31	SN3722		HEX BOLT, 5/16"-18 X 1", GR 5, Y/D

I0006338
PR: t05g30m51b0047

GRASS SEEDER AGITATOR ASSEMBLY



9421 TWO SECTION FOLDING DRILL
SERVICE PARTS

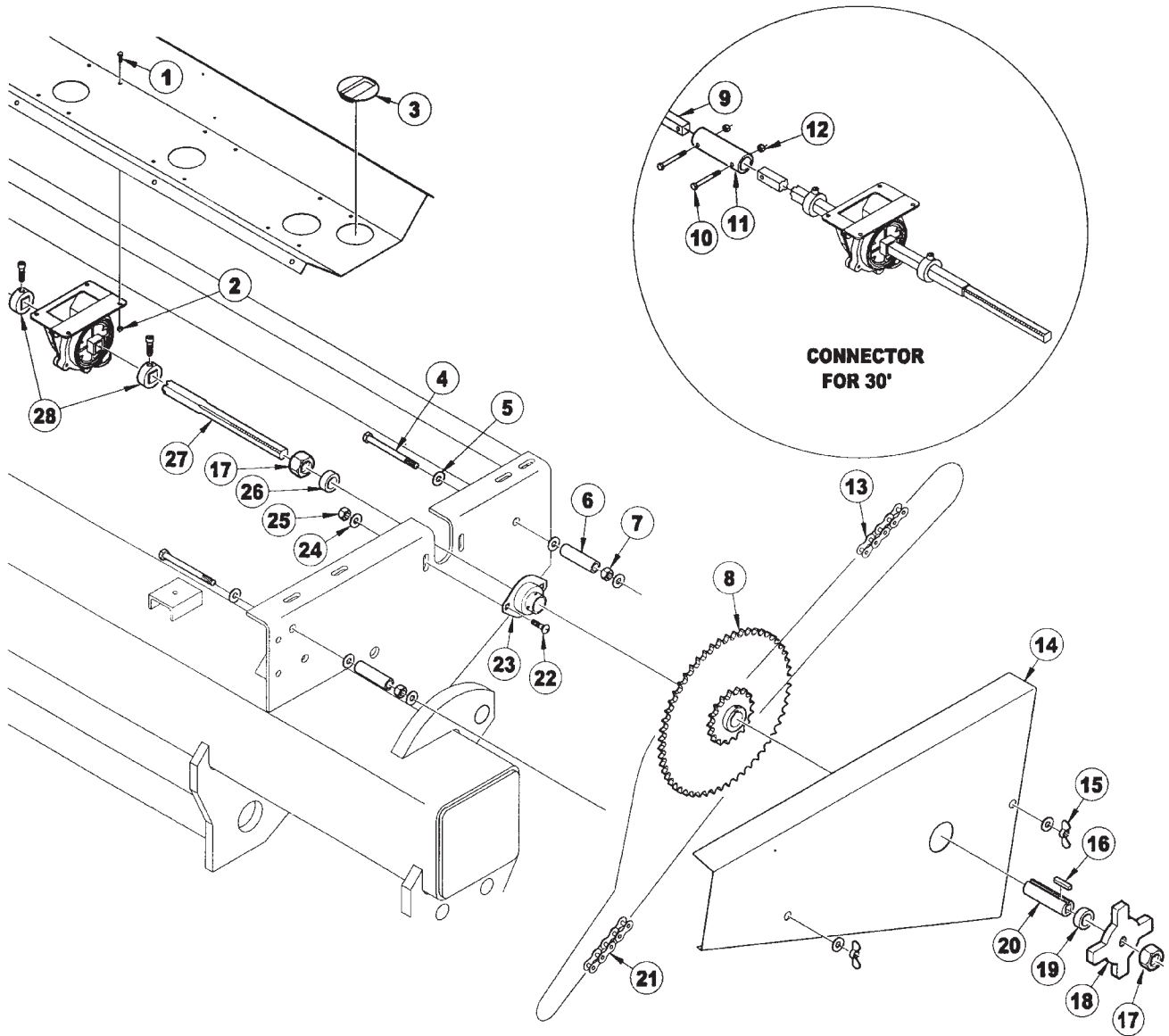
105

GRASS SEEDER AGITATOR ASSEMBLY

ITEM	NUMBER	QTY	DESCRIPTION
1	SN6714		SPROCKET, 14 TOOTH, 1" BORE #50 CHAIN
2	SNDR30009		BEARING, 1" LFST
3	SN6709		CHAIN, 16 7/8" NO. 50
4	SN6376		CARRIAGE BOLT, 5/16"-18 X 1" GR 5,Y/D
5	SN6377		FLAT WASHER, 5/16" Y/D
6	SN6378		LOCK NUT, 5/16" HEX NYLON INSERT GR 5, Y/D
7	SNDR41509		KEY, 1/4" X 1 1/4" SPROCKET
8	SN6699		AGITATOR SHAFT, 7 3/8", Y/D
9	SN2486		HEX BOLT, 1/4"-20 X 1 1/2", GR 2,Y/D
10	SN6703		AGITATOR
11	SN6696		AGITATOR SHAFT, 55 1/2" (20')
	SN6697		AGITATOR SHAFT, 43 3/8" (25')
12	SN6701		AGITATOR CONNECTOR, 5 1/8", Y/D
13	SN3881		LOCK NUT, 1/4"-20 HEX NYLON INSERT, GR 2, Y/D
14	SN6702		AGITATOR CONNECTOR, 3 3/4", Y/D
15	SN6697		AGITATOR SHAFT, 43 3/8"
16	SN6698		AGITATOR SHAFT, 40 1/16"
17	SN3722		HEX BOLT, 5/16"-18 X 1", GR 5, Y/D
18	SN6700		AGITATOR CONNECTOR, 7 1/2", Y/D
19	SN7459		BEARING PLATE, AGITATOR
20	SN9932R		AGITATOR SHAFT, 46 1/2"

I0006339
PR: t05g30m51b0048

DRILL SHAFT ASSEMBLY WHEN USING GRASS
SEEDER



**9421 TWO SECTION FOLDING DRILL
SERVICE PARTS**

107

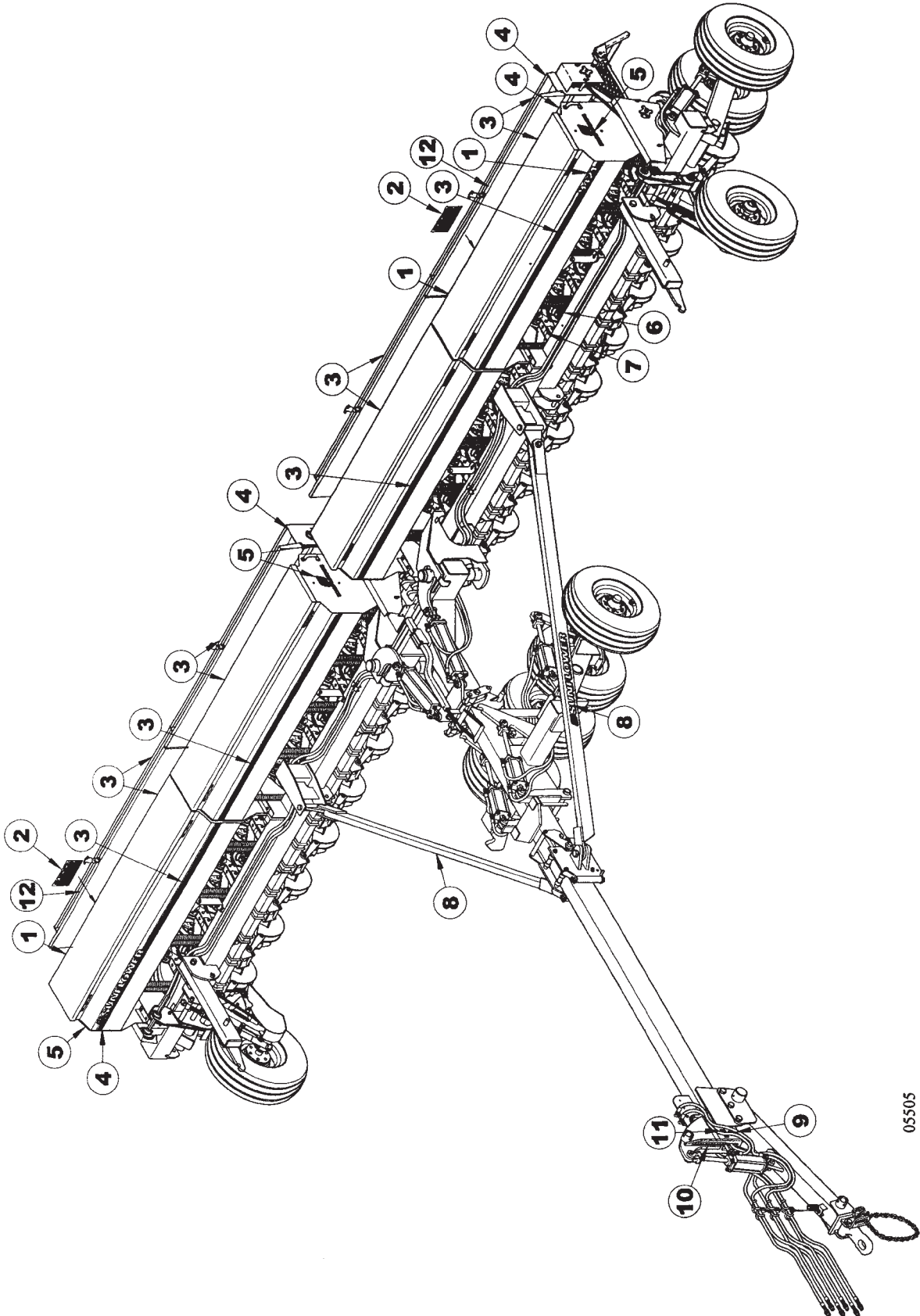
**DRILL SHAFT ASSEMBLY WHEN USING GRASS
SEEDER**

ITEM	NUMBER	QTY	DESCRIPTION
1	SN9076		HEX BOLT, NO. 10-24 X 1/2",GR 2, Y/D
2	SN10326		NUT, 10-24 UNC HEX HEAD W/LOCKWASHER
3	SNDR12017		PLUG, SEED METER
4	SNDR10026		HEX BOLT, 3/8"-16 X 4" GR 5, Y/D
5	SN317		FLAT WASHER, 3/8", Y/D
6	SNB2620		SPACER, .750" OD X .500" ID, .125"WALL, 2 5/8" L
7	SN177		HEX NUT, 3/8"-16 FULL, GR 2, Y/D
8	SN6707		SPROCKET, DOUBLE (1) 54 TOOTH (1) 17 TOOTH, 1" BORE #50 CHAIN
9	SNB1599		SHAFT, 88 1/4", 5/8" SQ, Y/D
10	SN1550		HEX BOLT, 1/4"-20 X 2", GR 2 Y/D
11	SN9189		CONNECTOR, METER SHAFT, 5" L
12	SN3881		LOCK NUT, 1/4"-20 HEX NYLON INSERT, GR 2, Y/D
13	SN6711		CHAIN, 48 1/8" W/HALF LINK NO. 50
14	SN9394		CHAIN GUARD, LEFT (SHOWN)
	SN9393		CHAIN GUARD, RIGHT
15	SNDR10506		WING NUT, 3/8"-16, Y/D
16	SNDR41509		KEY, 1/4" X 1 1/4" SPROCKET
17	SN1243		JAM NUT, 3/4"-10 HEX, GR 2, Y/D
18	SNB1540		ADJUSTMENT KNOB, Y/D
19	SNBT10275		SPACER, 1.250" OD X .781" ID, .234"WALL, 15/32" L, Y/D
20	SNDR41506		BUSHING, KEYED 1.000"OD X .630"SQ ID, 3 1/4" L, Y/D
21	SN9414		CHAIN, 61 7/8" L NO. 50
22	SN6376		CARRIAGE BOLT, 5/16"-18 X 1" GR 5,Y/D
23	SNDR30009		BEARING, 1" LFST
24	SN6377		FLAT WASHER, 5/16" Y/D
25	SN6378		LOCK NUT, 5/16" HEX NYLON INSERT GR 5, Y/D
26	SN6704		SPACER, 1.250"OD X .875"ID,.188" W, 3/4" L
27	SN9188		SHAFT, 124 3/4", 5/8" SQ, Y/D (20')
	SN9433		SHAFT, 154 3/4", 5/8" SQ, Y/D (25')
	SNB1598		SHAFT, 94", 5/8" SQ, Y/D (30')
28	SN6581		LOCKING COLLAR, 1 1/2" OD X .6325 SQ. W/CAP SCREW

I0006345
PR: t05g30m51b0049

9421 TWO SECTION FOLDING DRILL
SERVICE PARTS

DECAL PLACEMENT



**9421 TWO SECTION FOLDING DRILL
SERVICE PARTS**

109

DECAL PLACEMENT

ITEM	NUMBER	QTY	DESCRIPTION
1	SN997705		9421 DECAL
2	SN997327		SEED CHART DECAL, GRAIN DRILL
3	SN997707		STRIPE, 2 1/8" X 76"L, YELLOW/BLACK
4	SN997701		SUNFLOWER/GRAIN DRILLS DECAL
5	SN997708		SUNFLOWER DECAL - END PANEL
6	SN997407		DEPTH DECAL
7	SN997459		PATENT DECAL, #5,626,196 (ALL PURPOSE OPENER)
8	SN997002		SUNFLOWER DECAL
9	SN997246		FEMA DECAL
10	SN997426		LEVEL INDICATOR, A-K
11			SERIAL NUMBER PLATE
12	SN997326		SEED CHART DECAL, GRASS SEED

I0005505
PR: t05g30m51b0050

**9421 TWO SECTION FOLDING DRILL
SERVICE PARTS**

111

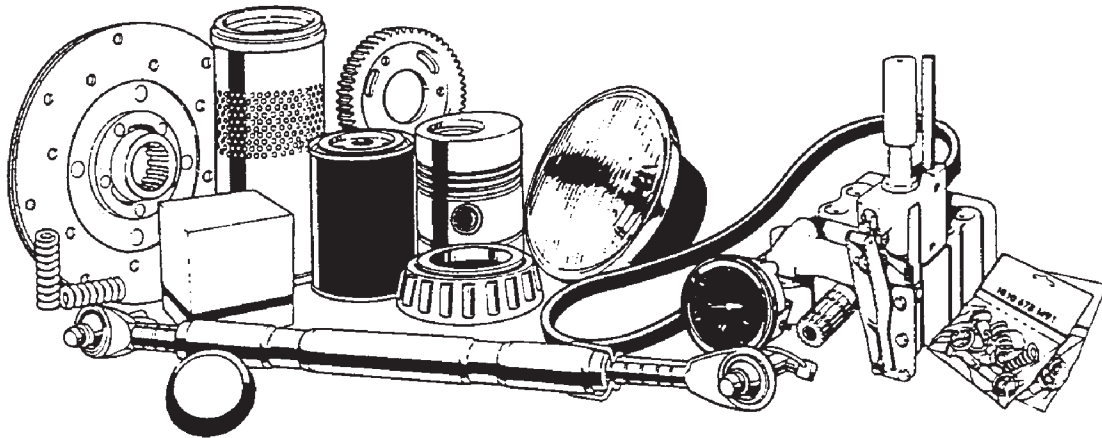
SAFETY SIGN PLACEMENT

ITEM	NUMBER	QTY	DESCRIPTION
1	SN997325		WARNING - CHEMICAL HAZARD
2	SN997040		RED REFLECTIVE TAPE
3	SN997322		DANGER - FRAME PINCH POINT
4	SN997339		RED REFLECTIVE TAPE, 1/2" X 3" L
5	SN997340		YELLOW REFLECTIVE TAPE, 1/2" X 3" L
6	SN997320		WARNING - FALLING HAZARD
7	SN997041		AMBER REFLECTIVE TAPE
8	SN997319		WARNING - MOVING PART HAZARD
9	SN997321		WARNING - GUARD MISSING
10	SN997043		READ OPERATORS MANUAL
11	SN997311		HIGH PRESSURE FLUID HAZARD
12	SN997318		WARNING - 20 MPH MAX TRANSPORT SPEED
13	SN997074		UNHITCHING HAZARD
14	SN997048		FASTEN SAFETY CHAIN
15	SN997323		DANGER - ELECTROCUTION HAZARD
16	SN997324		DANGER - OVERHEAD MARKER HAZARD

I0005506
PR: t05g30m51b0051

RECOMMENDED DEALER STOCK

RECOMMENDED DEALER'S STOCK



**9421 TWO SECTION FOLDING DRILL
RECOMMENDED DEALER LIST**

113

RECOMMENDED DEALER STOCK

ITEM	NUMBER	QTY	DESCRIPTION
-	SN10296	1	* SPRING, 2.1875" OD X 1.4375" ID X
-	SN7773	1	14" BLADE, 4 BOLT, .138" THICK .78"
-	SN3686	1	8 BOLT HUB ASSEMBLY
-	SNDR41517	1	ACREMETER, 9.5L/11L-15 X 20'
-	SN9421	1	ACREMETER, 9.5L/11L-15 X 25'
-	SNDR41518	1	ACREMETER, 9.5L/11L-15 X 30'
-	SNB1540	1	ADJUSTMENT KNOB, Y/D
-	SN776	1	BEARING (L44643)
-	SN1606	1	BEARING (LM67048)
-	SN3683	1	BEARING(LM603049)
-	SN6675	1	CHAIN, 13" W/S-HOOK
-	SN9875	1	CLUTCH KIT, DOUBLE
-	SN9874	1	CLUTCH KIT, SINGLE
-	SN10056	1	CLUTCH, LEFT
-	SN10055	1	CLUTCH, RIGHT
-	SN5844	1	DUAL LAMP, AMBER FT/REAR & RED REAR,
-	SN5845	1	DUAL LAMP, AMBER FT/REAR & RED REAR,LEFT
-	SN7779	1	DUST CAP, 1.986" OD X .032" TH Y/D
-	SN1610	1	DUST CAP, 2.448" OD, Y/D
-	SN7780	1	FOUR BOLT HUB W/CUPS & ZERK
-	SN5847	1	HARNESS, 15' WISHBONE W/FLAT &
-	SN5846	1	HARNESS, 25' STR SEC, SHIELDED FESTOON
-	SN5848	1	HARNESS, 5' EXTENSION W/TRIAN-GULAR
-	SN5849	1	HARNESS, 5' EXTENSION W/TRIAN-GULAR
-	SN10050	1	HARNESS, EXTENSION 20'
-	SN10051	1	HARNESS, PLANTER
-	SN3302	1	HEX NUT, 1"-14 FULL SLOTTED GR 2, PLAIN
-	SN7778	1	HEX NUT, 1"-14 SLOTTED .531" TH GR 2,
-	SN3989	1	HEX NUT, 2"-4 1/2 FULL SLOTTED, GR 2,
-	SN7781	1	MARKER ARM DEPTH BAND
-	SN777	1	RACE (L44610)
-	SN3684	1	RACE (LM603011)
-	SN1605	1	RACE (LM67010)
-	SN7775	1	SEAL, SINGLE LIP
-	SNDR12016	1	SIGHT GLASS
-	SNBT10258	1	SMV BRACKET
-	SN7001	1	SMV EMBLEM
-	SN7825	1	SPINDLE, 1 1/4" X 8 5/8" (1"-14 UNS THD)
-	SN3687	1	SPINDLE, 2 1/4" X 14"

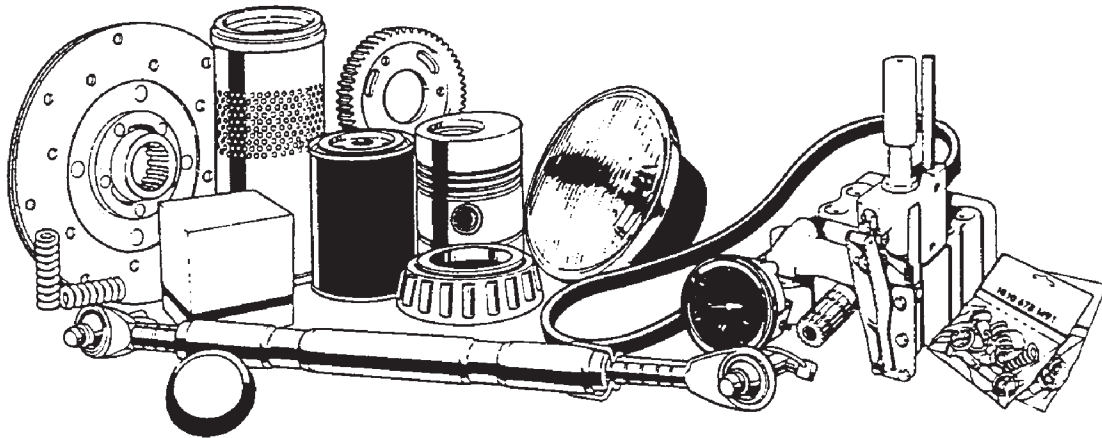
NOTE: THIS PARTS STOCK LIST
INDICATES THOSE ITEMS RECOMMENDED
TO SERVICE ONE UNIT.

CONTINUED

RDL
PR: t05g30m51b0052

RECOMMENDED DEALER STOCK

RECOMMENDED DEALER'S STOCK



**9421 TWO SECTION FOLDING DRILL
RECOMMENDED DEALER LIST**

115

RECOMMENDED DEALER STOCK

ITEM	NUMBER	QTY	DESCRIPTION
-	SN9136	1	SPINDLE, GAUGE WHEEL, 6 BOLT HUB
-	SN9388	1	SPRING, 1" OD X .73"ID, 6"L EXTENSION
-	SN4944	1	SPRING, 1.10" OD,.135 DIA, 3 1/2"
-	SN10325	1	SPRING,.105" WIRE DIA X 4 3/4" L
-	SN9078	1	SPROCKET, 12 TOOTH, 7/8" HEX BORE
-	SN9080	1	SPROCKET, 20 TOOTH, 7/8" HEX BORE
-	SN9079	1	SPROCKET, 24 TOOTH, 7/8" HEX BORE
-	SNDR40506	1	SPROCKET, 54 TOOTH, 1" BORE #50 CHAIN
-	SNDR80029	1	SPROCKET, IDLER
-	SN2355	1	STROKE CONTROL SEGMENTS, 1 1/2" DIAMETER
-	SN3301	1	TRIPLE LIP SEAL
-	SNDR56006	1	VALVE, 3/4-16 OR SEQUENCE
-	SN6934	1	VALVE, COUNTERBALANCE
-	SN6737	1	VALVE, LOCK
-	SN3303	1	WASHER, 1 1/32" ID X 1 3/4" ODX 1/8"
-	SN6514	12	CAP SCREW, 5/16"-18 X 3/4" BUTTON SOCKET
-	SNDR10508	12	LOCK NUT, 5/16"-18 HEX CENTER GR 2, Y/D
-	SNDR80011	12	WASHER, MACHINE
-	SNDR30022	2	BEARING, 1 1/2" BORE W/LOCK COLLAR
-	SNDR30009	2	BEARING, 1" LFST
-	SN9081	2	BEARING, 7/8" HEX BORE

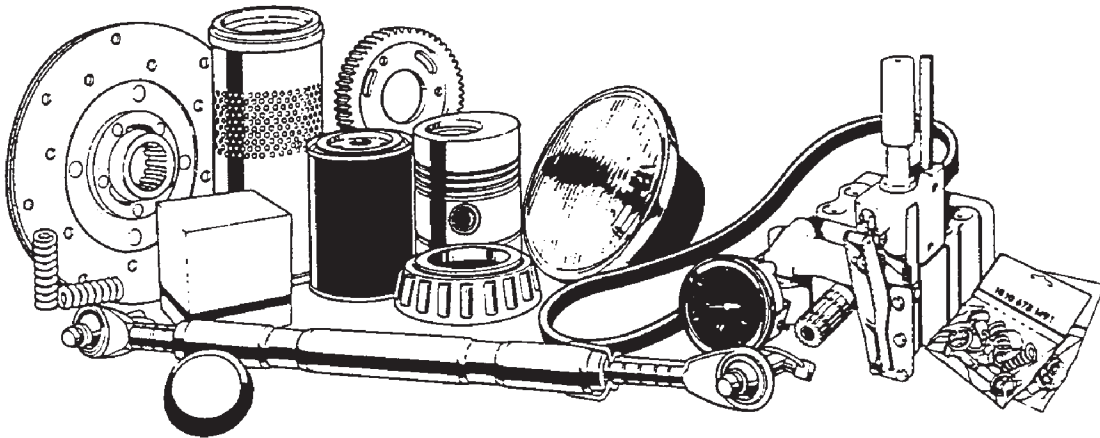
NOTE: THIS PARTS STOCK LIST
INDICATES THOSE ITEMS RECOMMENDED
TO SERVICE ONE UNIT.

CONTINUED

RDL
PR: t05g30m51b0052

RECOMMENDED DEALER STOCK

RECOMMENDED DEALER'S STOCK



**9421 TWO SECTION FOLDING DRILL
RECOMMENDED DEALER LIST**

117

RECOMMENDED DEALER STOCK

ITEM	NUMBER	QTY	DESCRIPTION
-	SN5935	2	BUSHING, 1" OD X 3/4" ID, 5/8" L (HARD)
-	SN7043	2	CLAMP BUSHING, 1" O.D. X .760" I.D.,
-	SN7029	2	CLAMP BUSHING, 4 21/32"
-	SN9102B	2	DEPTH CAM ASSEMBLY, ALL PURPOSE (ITEMS
-	SN10053	2	EXTENSION SPRING
-	SN7083	2	EXTENSION SPRING, .5" O.D. X .375" I.D.,
-	SN5731	2	EYE BOLT, 3/4"-10 X 4 1/2"
-	SN9083	2	KLIK PIN, 1/4" DIA X 2 1/8"
-	SN7024	2	L-BOLT, 5/8"-11 X 4 5/8" X 6 5/8", Y/D
-	SN6581	2	LOCKING COLLAR, 1 1/2" OD X .6325 SQ.
-	SN2072	2	MACHINE BUSHING, 2"
-	SNDR12017	2	PLUG, SEED METER
-	SN7804	2	SCRAPER, LONG RIGID
-	SN10127	2	SCRAPER, OPENER, LEFT
-	SN10126	2	SCRAPER, OPENER, RIGHT
-	SN7803	2	SCRAPER, SHORT RIGID
-	SN8756-1	2	SEAL KIT
-	SN8800-1	2	SEAL KIT
-	SN8762-1	2	SEAL KIT, 3", 1 1/4" ROD, CROSS
-	SN8939-1	2	SEAL KIT, 3", 1 1/4" ROD, CROSS
-	SN8799-1	2	SEAL KIT, 4 1/2", 1 1/2" ROD, CROSS
-	SN8951-1	2	SEAL KIT, 4 1/2", 1 1/2" ROD, CROSS
-	SN8780-1	2	SEAL KIT, 4 1/4", 1 3/8" ROD, REPHASING,
-	SN8789-1	2	SEAL KIT, 4", 1 1/2" ROD REPHAS
-	SN8612-1	2	SEAL KIT, 4", 1 1/2" ROD, CROSS
-	SNA0012	2	SEED METER ASSEMBLY
-	SN9937	2	SEED TUBE, ALL PURPOSE HEADS UP
-	SNDR20004	2	SEED TUBE, RUBBER
-	SN5934	2	SPRING BUSHING, 1 1/4" O.D. X 1" I.D.,
-	SN9708	2	SPRING, .162" WIRE DIA X 5" L EXTENSION
-	SN5732	2	SPRING, 1.40" OD X .82" ID X 16 1/4" L
-	SN7026	2	SPRING, 1.6875" OD X 1.1635" ID, 7 5/16"
-	SN7411	2	TIRE, 2" X 13" SMOOTH CROWN CLINCH
-	SN7409	2	TIRE, 2" X 13" V-CROWN CLINCH
-	SN7410	2	TIRE, 3" X 13" CENTER RIB CLINCH
-	SN7407	2	TIRE, 3" X 13" DOUBLE RIB CLINCH
-	SN7408	2	TIRE, 4" X 12" DOUBLE RIB
-	SN7070	2	U-BOLT, 1"-8 X 9" X 8 1/16" W, GR 5, Y/D
-	SN4843	2	U-BOLT, 1/2"-13 X 5 1/4" X 2 1/2" W,
-	SNDR11502	2	U-BOLT, 3/8"-16 X 2 5/8" X 3 1/2" W,
-	SNDR11507	2	U-BOLT, 7/16"-14 X 4" X 2 1/2"W, GR 5,
-	SNDR80044	2	U-BOLT, 7/8"-9 X 8 3/4" X 7 15/16" W,
-	SNB1120	4	BEARING FLANGE, 6 HOLE, Y/D
-	SNB5000	4	BEARING PLATE, 6 HOLE, Y/D
-	SNDR12011	4	CLAMP, SEED TUBE
-	SNB1127	4	DUST CAP
-	SN893	4	FLAT WASHER, 3/4" Y/D
-	SN2045	4	HEX BOLT, 1/2"-13 X 1 3/4", GR5, Y/D
-	SN2096	4	LOCK NUT, 1/2"-13 HEX NYLON INSERT
-	SN7201	4	SOIL CONTROL STRIP
-	SN7859	4	SUPPORT, SOIL CONTROL STRIP
-	SN1611	6	LUG NUT, 1/2"-20, GR 5, 90 DEG TAPER,
-	SN7784	6	SHOULDER BOLT, 1/2"-20 X 1 7/8" PRESS IN
-	SN3118	8	LUG BOLT, 9/16"-18 X 1 7/8" PRESS IN, PL
-	SN3117	8	LUG NUT, 9/16"-18, GR 5, 90 DEG TAPER,

NOTE: THIS PARTS STOCK LIST
INDICATES THOSE ITEMS RECOMMENDED
TO SERVICE ONE UNIT.

RDL
PR: t05g30m51b0052

GRAIN DRILLS

PARTS CATALOG

**SUNFLOWER®
9130 / 9230 DRILL UNIT**

RECOMMENDED DEALER LIST

RECOMMENDED DEALER STOCK 75

SERVICE PARTS

ALL PURPOSE HEADS UP OPENER 49
ALL PURPOSE HEADS UP OPENER PRESS WHEEL ASSEMBLY 53
CENTER FRAME FOLD HYDRAULICS 45
CENTER FRAME LIFT HYDRAULICS 29
CENTER LIFT ASSEMBLY 17
CENTER LIFT SPINDLE & WHEEL ASSEMBLY 21
DECAL PLACEMENT 73
FRAME & MAIN FRAME ASSEMBLY 7
LEFT WING FRAME ASSEMBLY 9
LIGHT KIT ASSEMBLY 71
MAIN FRAME FOLD HYDRAULICS 43
MAIN FRAME LIFT HYDRAULICS 27
OPENER SHIELD ASSEMBLY 57
OUTER WING LIFT HYDRAULICS 31
PRESS WHEEL & TIRE ASSEMBLY 55
RIGHT WING FRAME ASSEMBLY 11
ROW MARKER ASSEMBLY 59
ROW MARKER HYDRAULICS ON MAIN FRAME 63
ROW MARKER HYDRAULICS ON THE CENTER FRAME 65
ROW MARKER MOUNT ASSEMBLY 61
SLIDE LOCK ASSEMBLY 15
TRANSPORT LOCK ASSEMBLY 41
WING FRAME ROW MARKER HYDRAULICS 67
WING LIFT ASSEMBLY 23
WING LIFT SPINDLE & TIRE ASSEMBLY 25
WORK SWITCH ASSEMBLY 19
2-POINT HITCH ASSEMBLY 13
3 3/4" X 10" HYDRAULIC CYLINDER (4431R) 33
3" X 20" HYDRAULIC CYLINDER (6633R) 69
4 1/2" X 10" HYDRAULIC CYLINDER (7419R) 39
4 1/4" X 10" HYDRAULIC CYLINDER (7104R) 37
4" X 10" HYDRAULIC CYLINDER (4430R) 35
4" X 16" HYDRAULIC CYLINDER (9725R) 47

9130/9230 DRILL UNIT

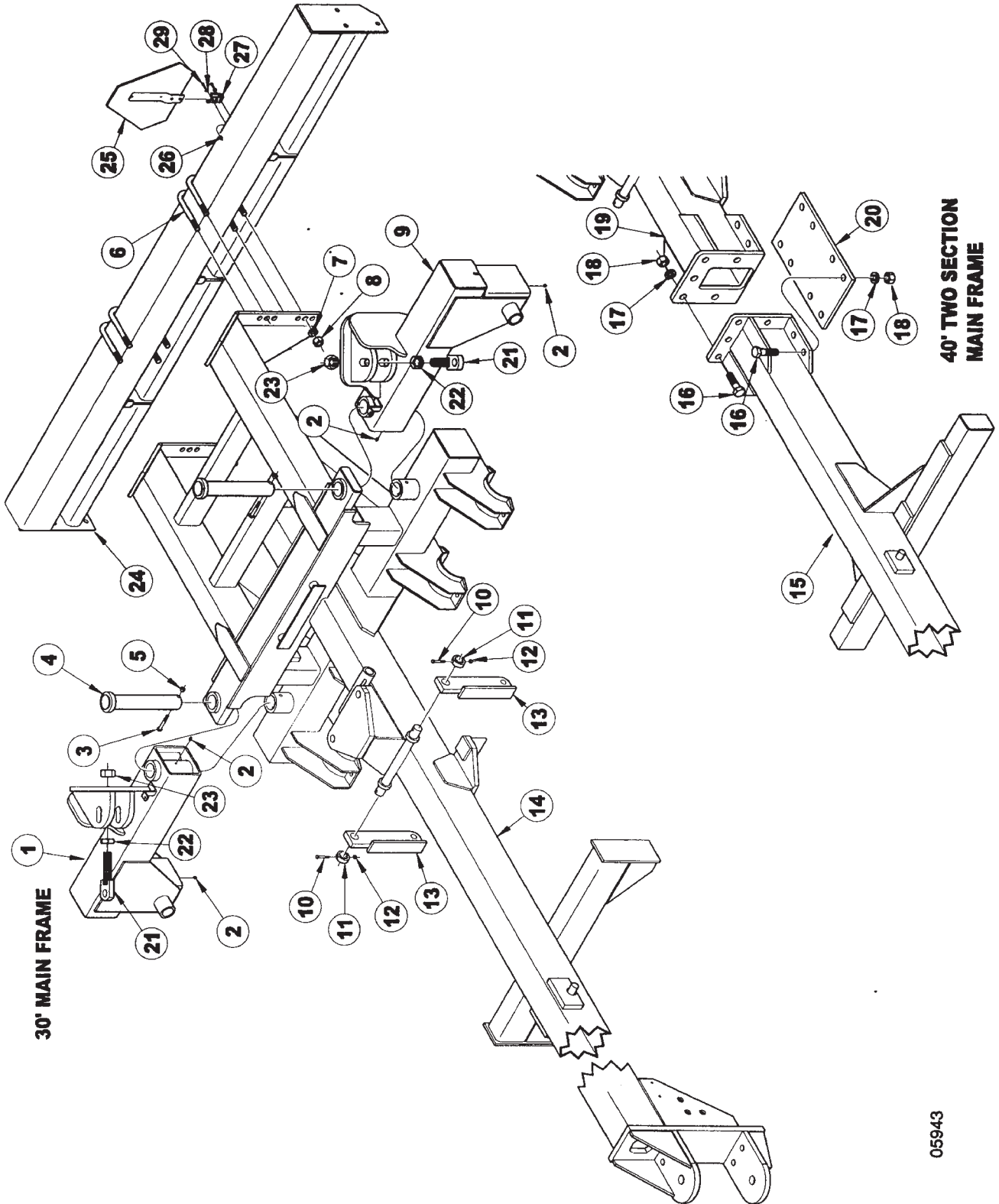
3
INDEX

Part No.	Page	Grid	Part No.	Page	Grid	Part No.	Page	Grid	Part No.	Page	Grid
SNB1127	49	1-B 10	SN10329	71	1-B 13	SN2148	15	1-B 7	SN3938	59	1-B 11
SNB1127	75	1-B 13	SN10329	75	1-B 13	SN2316	59	1-B 11	SN396	7	1-B 6
SNB1141	65	1-B 12	SN10330	71	1-B 13	SN2355	29	1-B 8	SN396	9	1-B 6
SNB2632	59	1-B 11	SN10330	75	1-B 13	SN2425	43	1-B 10	SN396	11	1-B 7
SNB30001	13	1-B 7	SN10333	49	1-B 10	SN2426	27	1-B 8	SN397	7	1-B 6
SNDR10524	61	1-B 12	SN1040	23	1-B 8	SN2429	45	1-B 10	SN397	9	1-B 6
SNDR12031	9	1-B 6	SN1040	61	1-B 12	SN2487	43	1-B 10	SN397	11	1-B 7
SNDR56006	65	1-B 12	SN10463	49	1-B 10	SN2487	49	1-B 10	SN3984	27	1-B 8
SNDR80011	49	1-B 10	SN10542	51	1-B 11	SN2487	55	1-B 11	SN4060002	45	1-B 10
SNDR80019	61	1-B 12	SN106	23	1-B 8	SN2487	59	1-B 11	SN4065005	29	1-B 8
SNDR80019	77	1-B 13	SN106	61	1-B 12	SN2487	63	1-B 12	SN4072002	45	1-B 10
SNDR80044	7	1-B 6	SN106	71	1-B 13	SN2487	67	1-B 12	SN4112012	63	1-B 12
SNDR80044	9	1-B 6	SN110	9	1-B 6	SN2557	53	1-B 11	SN4118003	43	1-B 10
SNDR80044	11	1-B 7	SN110	11	1-B 7	SN2561	7	1-B 6	SN4130006	27	1-B 8
SNDR80044	77	1-B 13	SN110	13	1-B 7	SN2561	15	1-B 7	SN4178011	65	1-B 12
SNDR81044	49	1-B 10	SN112	59	1-B 11	SN2561	61	1-B 12	SN4178011	67	1-B 12
SNFK150025	41	1-B 10	SN112	61	1-B 12	SN2566	7	1-B 6	SN4185012	63	1-B 12
SNFK150144	9	1-B 6	SN1122	17	1-B 7	SN2568	7	1-B 6	SN4191003	43	1-B 10
SNFK150144	11	1-B 7	SN1122	23	1-B 8	SN2585	25	1-B 8	SN4198005	27	1-B 8
SNFK150157	9	1-B 6	SN1122	61	1-B 12	SN2587	31	1-B 9	SN4198005	29	1-B 8
SNFK150157	11	1-B 7	SN113	21	1-B 8	SN2587	71	1-B 13	SN4198006	27	1-B 8
SNFK150172	15	1-B 7	SN113	59	1-B 11	SN302	25	1-B 8	SN4200002	43	1-B 10
SNFK150172	45	1-B 10	SN114	21	1-B 8	SN303	25	1-B 8	SN4200002	45	1-B 10
SNFK150261	13	1-B 7	SN114	59	1-B 11	SN3051	15	1-B 7	SN4200011	63	1-B 12
SNFK150272	9	1-B 6	SN1193	49	1-B 10	SN3065	9	1-B 6	SN4200011	65	1-B 12
SNFK150272	11	1-B 7	SN1220	51	1-B 11	SN3065	11	1-B 7	SN4200011	67	1-B 12
SNFK150274	15	1-B 7	SN1220	71	1-B 13	SN3066	25	1-B 8	SN4224005	29	1-B 8
SNFK150283	49	1-B 10	SN1243	61	1-B 12	SN3117	25	1-B 8	SN4224005	31	1-B 9
SNFK310062	21	1-B 8	SN1283	9	1-B 6	SN3117	75	1-B 13	SN4234011	63	1-B 12
SNFK310062	75	1-B 13	SN1283	11	1-B 7	SN3118	25	1-B 8	SN4234011	65	1-B 12
SNFK310063	21	1-B 8	SN1283	13	1-B 7	SN3118	75	1-B 13	SN4240011	65	1-B 12
SNFK310063	75	1-B 13	SN1300	7	1-B 6	SN3164	9	1-B 6	SN4240011	67	1-B 12
SNFK310064	21	1-B 8	SN1300	15	1-B 7	SN3164	11	1-B 7	SN4255005	29	1-B 8
SNFK310064	77	1-B 13	SN1300	61	1-B 12	SN3164	15	1-B 7	SN4255005	31	1-B 9
SNFK340162	21	1-B 8	SN140	7	1-B 6	SN3164	17	1-B 7	SN4263011	65	1-B 12
SNFK340162	75	1-B 13	SN140	21	1-B 8	SN3164	23	1-B 8	SN4263011	67	1-B 12
SNFK340163	21	1-B 8	SN1507	59	1-B 11	SN3164	45	1-B 10	SN4285005	29	1-B 8
SNFK340165	21	1-B 8	SN155	13	1-B 7	SN3164	61	1-B 12	SN4285005	31	1-B 9
SNFK340165	77	1-B 13	SN159	59	1-B 11	SN317	51	1-B 11	SN4294005	29	1-B 8
SNFK340167	21	1-B 8	SN1605	25	1-B 8	SN317	65	1-B 12	SN4294005	31	1-B 9
SNFK340167	75	1-B 13	SN1605	75	1-B 13	SN3253	27	1-B 8	SN4430R	17	1-B 7
SNFK340168	21	1-B 8	SN1606	25	1-B 8	SN3253	43	1-B 10	SN4431R	23	1-B 8
SNFK340168	75	1-B 13	SN1606	75	1-B 13	SN3253	63	1-B 12	SN4457	29	1-B 8
SNFK800384	21	1-B 8	SN1609	21	1-B 8	SN3298	25	1-B 8	SN4457	31	1-B 9
SNHEN3410	15	1-B 7	SN1609	59	1-B 11	SN330	61	1-B 12	SN4458	33	1-B 9
SNHEN3410	17	1-B 7	SN1610	25	1-B 8	SN3300	25	1-B 8	SN4458	35	1-B 9
SNHEN3410	49	1-B 10	SN1610	75	1-B 13	SN3300	77	1-B 13	SN4458	37	1-B 9
SNHEN3410	59	1-B 11	SN1678	11	1-B 7	SN3301	25	1-B 8	SN4458	39	1-B 9
SNN11470	49	1-B 10	SN175	55	1-B 11	SN3301	77	1-B 13	SN4458	47	1-B 10
SNN31209	19	1-B 7	SN175	59	1-B 11	SN3302	21	1-B 8	SN4458	69	1-B 12
SNN31209	77	1-B 13	SN176	27	1-B 8	SN3302	25	1-B 8	SN4460	29	1-B 8
SNN32101	19	1-B 7	SN176	67	1-B 12	SN3302	75	1-B 13	SN4466	45	1-B 10
SNN32102	19	1-B 7	SN178	57	1-B 11	SN3303	25	1-B 8	SN4623	23	1-B 8
SNN32457	19	1-B 7	SN178	65	1-B 12	SN3303	59	1-B 11	SN4738	7	1-B 6
SNN32481	19	1-B 7	SN1860	13	1-B 7	SN3303	77	1-B 13	SN474	65	1-B 12
SNN32483	19	1-B 7	SN1918	9	1-B 6	SN3485	13	1-B 7	SN486	59	1-B 11
SNN34359	19	1-B 7	SN1918	11	1-B 7	SN3564	9	1-B 6	SN506	7	1-B 6
SNW-514	19	1-B 7	SN1935	21	1-B 8	SN3564	13	1-B 7	SN5094	25	1-B 8
SNW-523	19	1-B 7	SN1935	25	1-B 8	SN3567	7	1-B 6	SN5152	25	1-B 8
SNW-538	19	1-B 7	SN1935	75	1-B 13	SN3567	49	1-B 10	SN5201	61	1-B 12
SN10007	71	1-B 13	SN1936	21	1-B 8	SN3567	57	1-B 11	SN5230	61	1-B 12
SN10007	75	1-B 13	SN1936	25	1-B 8	SN3567	59	1-B 11	SN5302	27	1-B 8
SN10008	71	1-B 13	SN1936	75	1-B 13	SN3567	65	1-B 12	SN5302	43	1-B 10
SN10008	75	1-B 13	SN1937	25	1-B 8	SN3577	21	1-B 8	SN5302	63	1-B 12
SN10126	49	1-B 10	SN1978	7	1-B 6	SN3577	25	1-B 8	SN5302	67	1-B 12
SN10126	75	1-B 13	SN1978	13	1-B 7	SN3579	25	1-B 8	SN5339	17	1-B 7
SN10127	49	1-B 10	SN1978	23	1-B 8	SN3688Y	21	1-B 8	SN5339	23	1-B 8
SN10127	75	1-B 13	SN2045	59	1-B 11	SN3758	61	1-B 12	SN5339	61	1-B 12
SN10157	49	1-B 10	SN2079	7	1-B 6	SN3806	49	1-B 10	SN5341	9	1-B 6
SN1021	49	1-B 10	SN2079	13	1-B 7	SN3881	7	1-B 6	SN5341	11	1-B 7
SN10298R	11	1-B 7	SN2079	23	1-B 8	SN3881	41	1-B 10	SN5502	61	1-B 12
SN10299R	9	1-B 6	SN2085	23	1-B 8	SN3881	49	1-B 10	SN5555	21	1-B 8
SN10313R	7	1-B 6	SN2096	7	1-B 6	SN3881	55	1-B 11	SN5578	21	1-B 8
SN10314	71	1-B 13	SN2098-1	7	1-B 6	SN3938	11	1-B 7	SN5621	21	1-B 8
SN10315	71	1-B 13	SN2098-6	25	1-B 8	SN3938	13	1-B 7	SN5934	49	1-B 10

INDEX

Part No.	Page	Grid	Part No.	Page	Grid	Part No.	Page	Grid	Part No.	Page	Grid
SN5934	61	1-B 12	SN7193	41	1-B 10	SN8610-1	33	1-B 9	SN8899-1	35	1-B 9
SN5935	49	1-B 10	SN7197	41	1-B 10	SN8610-1	35	1-B 9	SN8901-1	39	1-B 9
SN6155	23	1-B 8	SN7197	75	1-B 13	SN8610-1	37	1-B 9	SN893	17	1-B 7
SN6177	63	1-B 12	SN7198	41	1-B 10	SN8610-1	69	1-B 12	SN893	61	1-B 12
SN6282	61	1-B 12	SN7198	77	1-B 13	SN8617-1	39	1-B 9	SN893	71	1-B 13
SN6301	23	1-B 8	SN7201	51	1-B 11	SN8618-1	47	1-B 10	SN8966-1	37	1-B 9
SN6376	51	1-B 11	SN7203	49	1-B 10	SN8631-1	33	1-B 9	SN9102	49	1-B 10
SN6378	49	1-B 10	SN7204	51	1-B 11	SN8631-1	35	1-B 9	SN9109	55	1-B 11
SN6425	23	1-B 8	SN7205	49	1-B 10	SN8631-1	37	1-B 9	SN9140	9	1-B 6
SN6440	49	1-B 10	SN7218	53	1-B 11	SN8631-1	39	1-B 9	SN9140	11	1-B 7
SN6470	13	1-B 7	SN7218	55	1-B 11	SN8631-1	47	1-B 10	SN9261	7	1-B 6
SN6477	7	1-B 6	SN7218	75	1-B 13	SN8631-1	69	1-B 12	SN9268	7	1-B 6
SN6478	7	1-B 6	SN7221	57	1-B 11	SN8671-1	33	1-B 9	SN9271	7	1-B 6
SN6506	11	1-B 7	SN7222	57	1-B 11	SN8671-1	35	1-B 9	SN9680	49	1-B 10
SN6618	49	1-B 10	SN7223	57	1-B 11	SN8671-1	37	1-B 9	SN9682	49	1-B 10
SN6619	49	1-B 10	SN7224	57	1-B 11	SN8671-1	39	1-B 9	SN9683	49	1-B 10
SN6633	61	1-B 12	SN7229	57	1-B 11	SN8671-1	47	1-B 10	SN9708	49	1-B 10
SN6643	61	1-B 12	SN7230	57	1-B 11	SN8671-1	69	1-B 12	SN9708	77	1-B 13
SN6646	59	1-B 11	SN7266	51	1-B 11	SN8675-10	37	1-B 9	SN9725	45	1-B 10
SN6649	61	1-B 12	SN7325	17	1-B 7	SN8679-10	39	1-B 9	SN9727	15	1-B 7
SN6651	61	1-B 12	SN7375	53	1-B 11	SN8681-1	47	1-B 10	SN9728	15	1-B 7
SN6652	59	1-B 11	SN7408	55	1-B 11	SN8681-1	69	1-B 12	SN9729	15	1-B 7
SN6652	75	1-B 13	SN7408	77	1-B 13	SN8683-1	33	1-B 9	SN9730	15	1-B 7
SN6656	61	1-B 12	SN7409	55	1-B 11	SN8683-1	35	1-B 9	SN9731	15	1-B 7
SN6676	61	1-B 12	SN7409	77	1-B 13	SN8683-1	37	1-B 9	SN9732	15	1-B 7
SN6682	57	1-B 11	SN7410	55	1-B 11	SN8685-1	39	1-B 9	SN9733	15	1-B 7
SN669-1	9	1-B 6	SN7410	77	1-B 13	SN8692-10	47	1-B 10	SN9753	51	1-B 11
SN669-1	11	1-B 7	SN7411	55	1-B 11	SN8695-1	37	1-B 9	SN9753	75	1-B 13
SN669-1	15	1-B 7	SN7411	77	1-B 13	SN8698-10	33	1-B 9	SN9780	49	1-B 10
SN669-1	49	1-B 10	SN7412	55	1-B 11	SN8699-10	35	1-B 9	SN9780	75	1-B 13
SN669-1	53	1-B 11	SN7413	55	1-B 11	SN8701-10	69	1-B 12	SN9879	51	1-B 11
SN669-1	61	1-B 12	SN7415	55	1-B 11	SN8711-1	69	1-B 12	SN9880	51	1-B 11
SN6757	9	1-B 6	SN7416	55	1-B 11	SN8713-1	47	1-B 10	SN9889	13	1-B 7
SN6757	11	1-B 7	SN7419	17	1-B 7	SN8717-1	33	1-B 9	SN9894R	17	1-B 7
SN6776	9	1-B 6	SN7445	59	1-B 11	SN8718-1	35	1-B 9	SN9895R	7	1-B 6
SN6776	11	1-B 7	SN7445	75	1-B 13	SN8720-1	39	1-B 9	SN9896	7	1-B 6
SN6779	15	1-B 7	SN7446	59	1-B 11	SN8722-10	69	1-B 12	SN9897	7	1-B 6
SN6782	15	1-B 7	SN7446	75	1-B 13	SN8730-10	39	1-B 9	SN9898	17	1-B 7
SN6785	9	1-B 6	SN7448	61	1-B 12	SN8736-10	33	1-B 9	SN9900	7	1-B 6
SN6785	11	1-B 7	SN7449	61	1-B 12	SN8739-10	35	1-B 9	SN9901R	41	1-B 10
SN6799	15	1-B 7	SN7450	61	1-B 12	SN8741-10	37	1-B 9	SN9907	9	1-B 6
SN6800	15	1-B 7	SN7451	61	1-B 12	SN8744-10	47	1-B 10	SN9907	11	1-B 7
SN6815	59	1-B 11	SN7452	61	1-B 12	SN8762-1	69	1-B 12	SN9908	23	1-B 8
SN6817	13	1-B 7	SN7667	59	1-B 11	SN8762-1	77	1-B 13	SN9909	7	1-B 6
SN6818R	13	1-B 7	SN7748	59	1-B 11	SN8776-1	33	1-B 9	SN9910	45	1-B 10
SN6866	53	1-B 11	SN7749	59	1-B 11	SN8776-1	77	1-B 13	SN9914	13	1-B 7
SN6867	53	1-B 11	SN7750	59	1-B 11	SN8780-1	37	1-B 9	SN9915	7	1-B 6
SN6868	53	1-B 11	SN7751	59	1-B 11	SN8780-1	77	1-B 13	SN9937	49	1-B 10
SN6869	53	1-B 11	SN7752	59	1-B 11	SN8781-1	35	1-B 9	SN9937	77	1-B 13
SN6935	65	1-B 12	SN7753	59	1-B 11	SN8781-1	77	1-B 13	SN9937	77	1-B 13
SN6935	67	1-B 12	SN7754	59	1-B 11	SN8789-1	47	1-B 10	SN9949R	9	1-B 6
SN7001	7	1-B 6	SN7755	59	1-B 11	SN8789-1	77	1-B 13	SN9949R	11	1-B 7
SN7001	77	1-B 13	SN776	59	1-B 11	SN8799-1	39	1-B 9	SN9950R	9	1-B 6
SN7024	49	1-B 10	SN776	75	1-B 13	SN8799-1	77	1-B 13	SN9950R	11	1-B 7
SN7024	75	1-B 13	SN777	59	1-B 11	SN8804-1	39	1-B 9	SN9951	11	1-B 7
SN7026	51	1-B 11	SN777	75	1-B 13	SN8805-1	37	1-B 9	SN9952	9	1-B 6
SN7027	51	1-B 11	SN7771	41	1-B 10	SN8806-1	69	1-B 12	SN9965	71	1-B 13
SN7028	51	1-B 11	SN7772	61	1-B 12	SN8826-1	35	1-B 9	SN997002	73	1-B 13
SN7029	49	1-B 10	SN7773	59	1-B 11	SN8828-1	33	1-B 9	SN997043	73	1-B 13
SN7030	51	1-B 11	SN7773	75	1-B 13	SN8833-1	47	1-B 10	SN997052	33	1-B 9
SN7032	49	1-B 10	SN7775	59	1-B 11	SN8849-1	33	1-B 9	SN997052	35	1-B 9
SN7033B	49	1-B 10	SN7775	77	1-B 13	SN8849-1	35	1-B 9	SN997052	37	1-B 9
SN7034	49	1-B 10	SN7778	59	1-B 11	SN8854-1	47	1-B 10	SN997052	39	1-B 9
SN7034B	49	1-B 10	SN7778	75	1-B 13	SN8864-1	33	1-B 9	SN997052	73	1-B 13
SN7040	49	1-B 10	SN7779	59	1-B 11	SN8864-1	35	1-B 9	SN997246	73	1-B 13
SN7041	49	1-B 10	SN7779	75	1-B 13	SN8864-1	47	1-B 10	SN997309	47	1-B 10
SN7042	49	1-B 10	SN7780	59	1-B 11	SN8865-1	37	1-B 9	SN997311	73	1-B 13
SN7043	49	1-B 10	SN7780	75	1-B 13	SN8865-1	39	1-B 9	SN997313	73	1-B 13
SN7044B	49	1-B 10	SN7781	59	1-B 11	SN8866-1	69	1-B 12	SN997318	73	1-B 13
SN7077	65	1-B 12	SN7782	59	1-B 11	SN8872-1	69	1-B 12	SN997322	73	1-B 13
SN7083	49	1-B 10	SN7788	61	1-B 12	SN8873-1	37	1-B 9	SN997323	73	1-B 13
SN7083	77	1-B 13	SN7789	61	1-B 12	SN8873-1	39	1-B 9	SN997324	73	1-B 13
SN7084	49	1-B 10	SN7825	59	1-B 11	SN8877-1	47	1-B 10	SN997408	73	1-B 13
SN7085	49	1-B 10	SN7859	51	1-B 11	SN8878-1	69	1-B 12	SN997459	73	1-B 13
SN7104	23	1-B 8	SN840	51	1-B 11	SN8899-1	33	1-B 9	SN997661	73	1-B 13

FRAME & MAIN FRAME ASSEMBLY

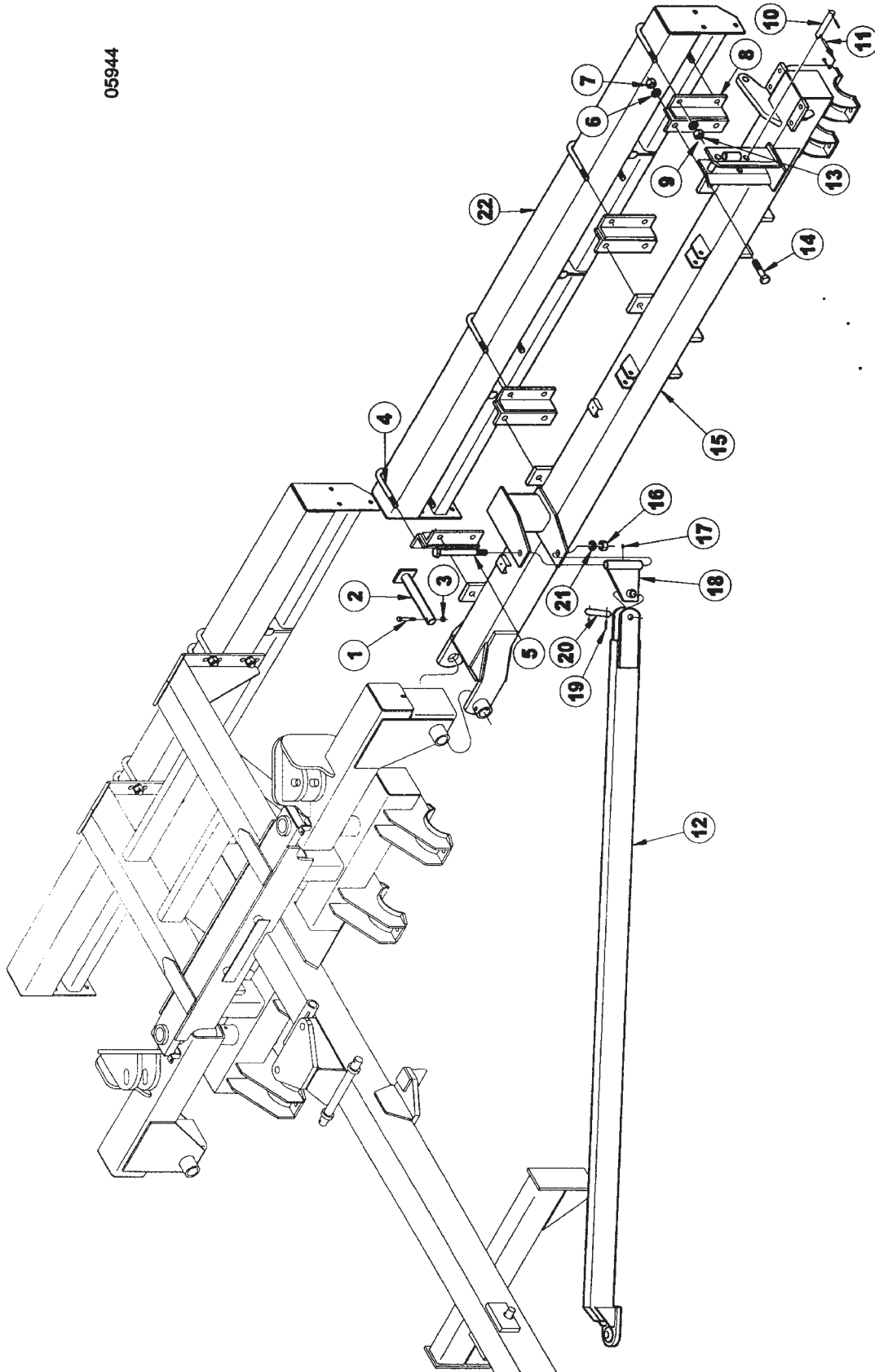


ITEM	NUMBER	QTY	DESCRIPTION
1	SN9896		SHORT WING, 9433, RIGHT
2	SN2098-1		GREASE ZERK, 1/8" NPTF, 5/8" L
3	SN140		HEX BOLT, 1/2"-13 X 4 1/2", GR 5, Y/D
4	SN6477		PIN, 2 1/2" X 14 1/4"
5	SN2096		LOCK NUT, 1/2"-13 HEX NYLON INSERT
6	SNDR80044		U-BOLT, 7/8"-9 X 8 3/4" X 7 15/16" W, GR 5, Y/D
7	SN396		LOCK WASHER, 7/8" SPLIT TYPE MED, Y/D
8	SN397		HEX NUT, 7/8"-9 FULL, GR 2, Y/D
9	SN9897		SHORT WING, 9433, LEFT
10	SN4738		HEX BOLT, 3/8"-16 X 2 3/4", GR 5, Y/D
11	SN6478		COLLAR, 3/4"
12	SN3567		LOCK NUT, 3/8"-16 HEX NYLON INSERT, GR 2, Y/D
13	SN9261		CYLINDER LINK
14	SN9909		MAIN FRAME, 9433-30, GRAIN DRILL
15	SN9895R		MAIN FRAME, FRONT, 9433-40
16	SN9271		HEX BOLT, 1 1/8"-7 X 3 1/2" GR5, Y/D
17	SN2561		LOCK WASHER, 1 1/8" SPLIT TYPE MED, Y/D
18	SN1300		HEX NUT, 1 1/8"-7 FULL, GR 2, Y/D
19	SN9900		MAIN FRAME, BACK, 9433-40
20	SN9268		TIE PLATE
21	SN9915		ADJUSTABLE CYLINDER STOP
22	SN2079		JAM NUT, 1 1/2"-6 HEX, GR 2, Y/D
23	SN1978		HEX NUT, 1 1/2"-6 FULL, GR 2, Y/D
24	SN10313R		FRAME, DRILL UNIT, 10' @ 7 1/2" & 10" SP (CENTER ON THE 30' & 40' MODELS)
25	SN7001		SMV EMBLEM
26	SN3881		LOCK NUT, 1/4"-20 HEX NYLON INSERT, GR 2, Y/D
27	SN2566		S.M.V. SOCKET
28	SN506		FLAT WASHER, 1/4", Y/D
29	SN2568		HEX BOLT, 1/4"-20 X 3/4", GR 2 Y/D

I0005943
PR: t05g30m59a0001

LEFT WING FRAME ASSEMBLY

05944

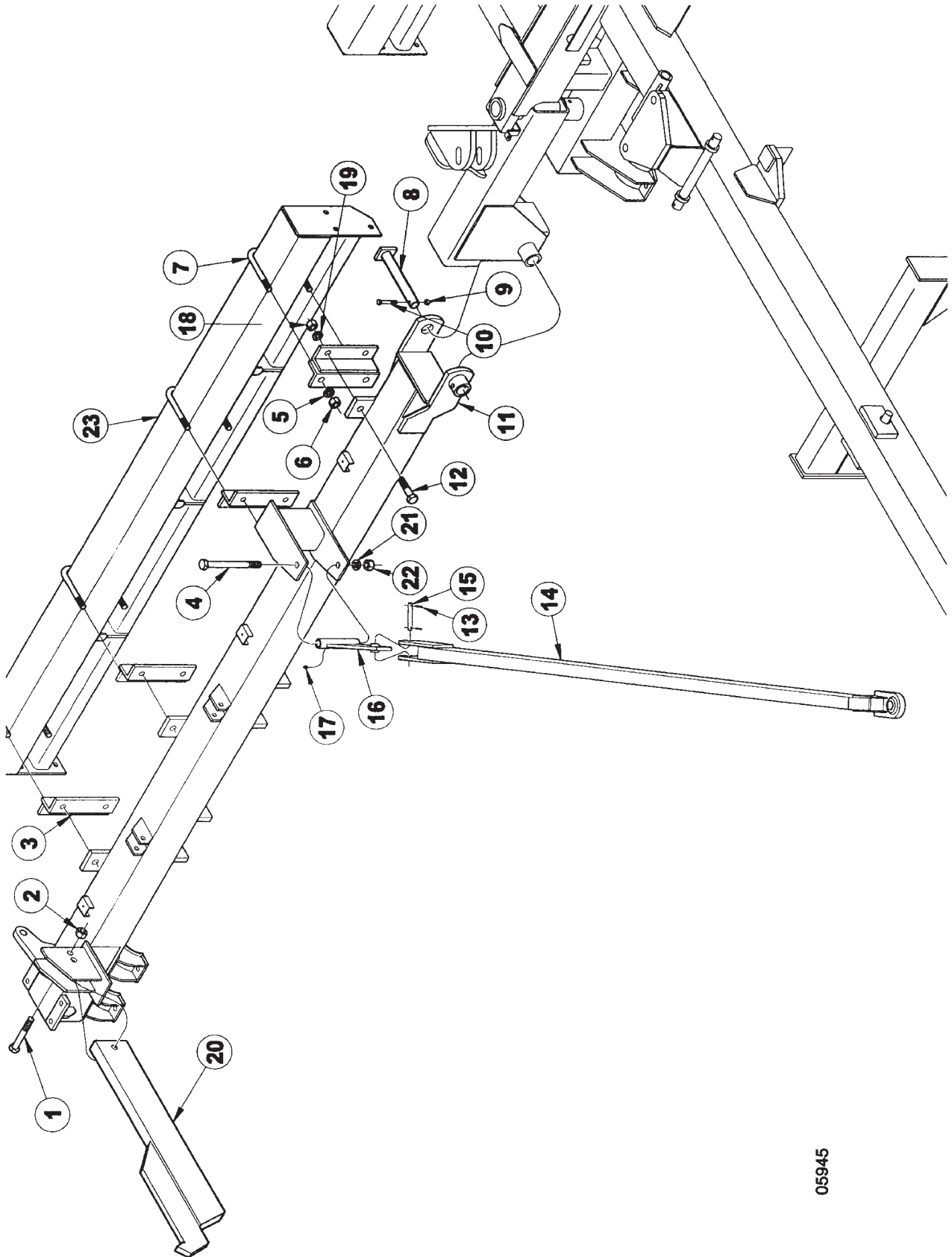


LEFT WING FRAME ASSEMBLY

ITEM	NUMBER	QTY	DESCRIPTION
1	SN3065		HEX BOLT, 5/8"-11 X 4", GR 5, Y/D
2	SN9140		PIN, 2" X 15 3/4" (13 1/4")SQ HEADED
3	SN669-1		LOCK NUT, 5/8" HEX NYLON INSERT, GR 5, Y/D
4	SNDR80044		U-BOLT, 7/8"-9 X 8 3/4" X 7 15/16" W, GR 5, Y/D
5	SNFK150272		HEX BOLT, 1 1/4"-7 X 10", GR 5, Y/D
6	SN1283		LOCK WASHER, 1" SPLIT TYPE MED, Y/D
7	SN110		HEX NUT, 1"-8 FULL, GR 5, Y/D
8	SN6757		MOUNTING BRACKET
9	SN396		LOCK WASHER, 7/8" SPLIT TYPE MED, Y/D
10	SNDR12031		PIN, 1" X 6" (4 1/4"), Y/D W/ROLL PIN
11	SN3564		WIRE LOCK PIN, 3/8" X 1 1/2"
12	SN9907		WING BRACE, 9433-30
	SN6776		WING BRACE, 40'
13	SN397		HEX NUT, 7/8"-9 FULL, GR 2, Y/D
14	SN1918		HEX BOLT, 1"-8 X 2 1/2", GR 5 Y/D
15	SN10299R		WING FRAME, 9030-30 LT, DRILL UNIT
	SN9952		WING FRAME, 9030-40 LT, DRILL UNIT
16	SNFK150144		HEX NUT, 1 1/4"-7, GR 2, Y/D
17	SN2098-1		GREASE ZERK, 1/8" NPTF, 5/8" L
18	SN6785		WING BRACE SWIVEL
19	SN3164		ROLL PIN, 5/16" X 2" SPIRAL MEDIUM DUTY, Y/D
20	SN5341		PIN, 1 1/4" X 4 5/16" (3 1/4") Y/D
21	SNFK150157		LOCK WASHER, 1 1/4", Y/D
22	SN9950R		FRAME, DRILL UNIT, 10'@7 1/2"&10"SP (WINGS ON THE 30' MODEL)
	SN9949R		FRAME, DRILL UNIT, 15'@7 1/2"&10"SP(WINGS ON THE 40' MODEL)

I0005944
PR: t05g30m59a0002

RIGHT WING FRAME ASSEMBLY

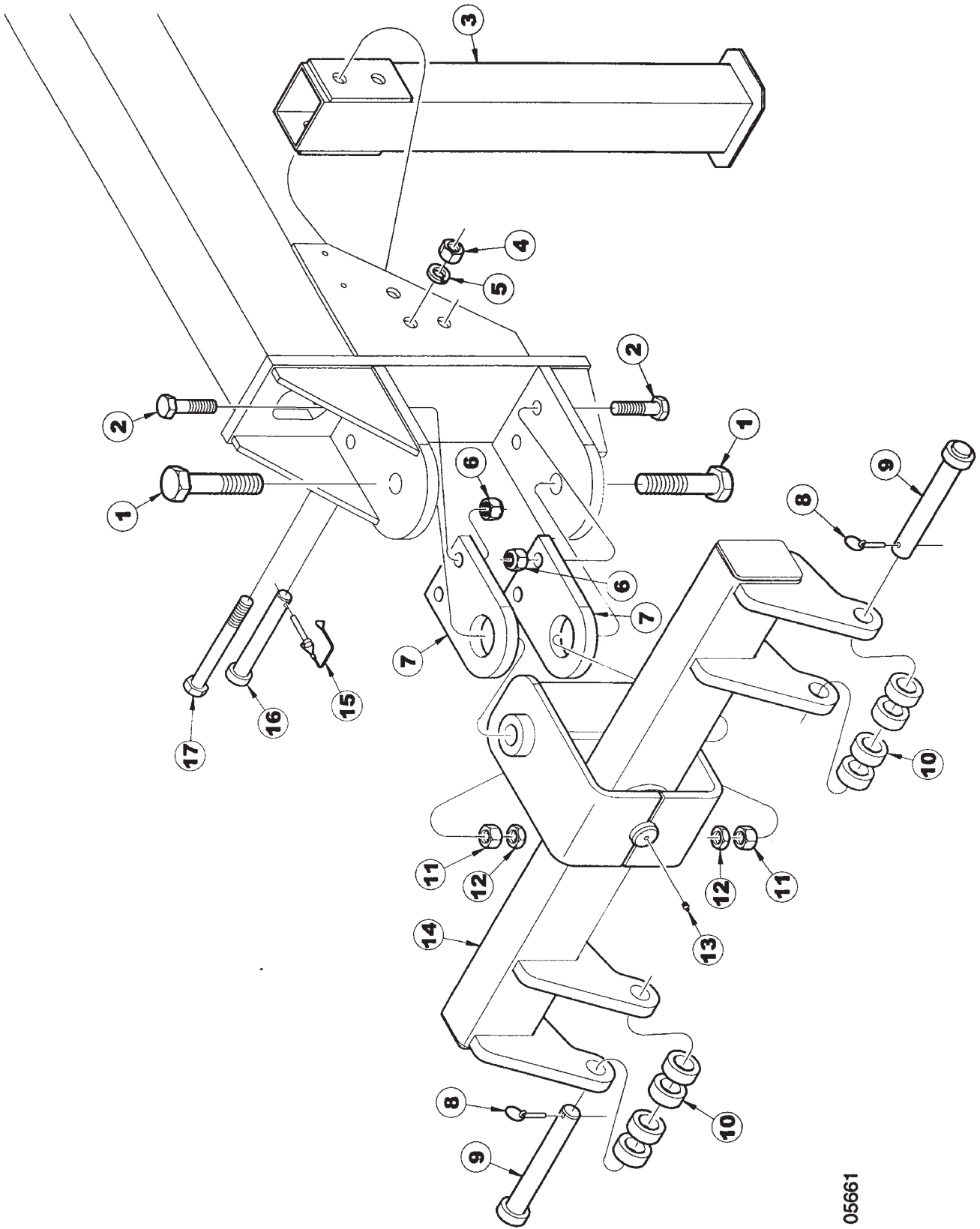


RIGHT WING FRAME ASSEMBLY

ITEM	NUMBER	QTY	DESCRIPTION
1	SN1678		HEX BOLT, 1"-8 X 4 1/2", GR 5 Y/D
2	SN3938		LOCK NUT, 1"-8 HEX NYLON
3	SN6757		MOUNTING BRACKET
4	SNFK150272		HEX BOLT, 1 1/4"-7 X 10", GR 5, Y/D
5	SN396		LOCK WASHER, 7/8" SPLIT TYPE MED, Y/D
6	SN397		HEX NUT, 7/8"-9 FULL, GR 2, Y/D
7	SNDR80044		U-BOLT, 7/8"-9 X 8 3/4" X
8	SN9140		PIN, 2" X 15 3/4" (13 1/4")SQ HEADED
9	SN669-1		LOCK NUT, 5/8" HEX NYLON
10	SN3065		HEX BOLT, 5/8"-11 X 4", GR 5, Y/D
11	SN10298R		WING FRAME, 9030-30 RT, DRILL UNIT
	SN9951		WING FRAME, 9030-40 RT, DRILL UNIT
12	SN1918		HEX BOLT, 1"-8 X 2 1/2", GR 5 Y/D
13	SN3164		ROLL PIN, 5/16" X 2" SPIRAL MEDIUM DUTY, Y/D
14	SN9907		WING BRACE, 9433-30
	SN6776		WING BRACE, 40'
15	SN5341		PIN, 1 1/4" X 4 5/16" (3 1/4") Y/D
16	SN6785		WING BRACE SWIVEL
17	SN2098-1		GREASE ZERK, 1/8" NPTF, 5/8" L
18	SN110		HEX NUT, 1"-8 FULL, GR 5, Y/D
19	SN1283		LOCK WASHER, 1" SPLIT TYPE MED, Y/D
20	SN6506		TRANSPORT BAR
21	SNFK150157		LOCK WASHER, 1 1/4", Y/D
22	SNFK150144		HEX NUT, 1 1/4"-7, GR 2, Y/D
23	SN9950R		FRAME, DRILL UNIT, 10'@7 1/2"&10"SP (WINGS ON THE 30' MODEL)
	SN9949R		FRAME, DRILL UNIT, 15'@7 1/2"&10"SP (WINGS ON THE 40' MODEL)

I0005945
PR: t05g30m59a0003

2-POINT HITCH ASSEMBLY



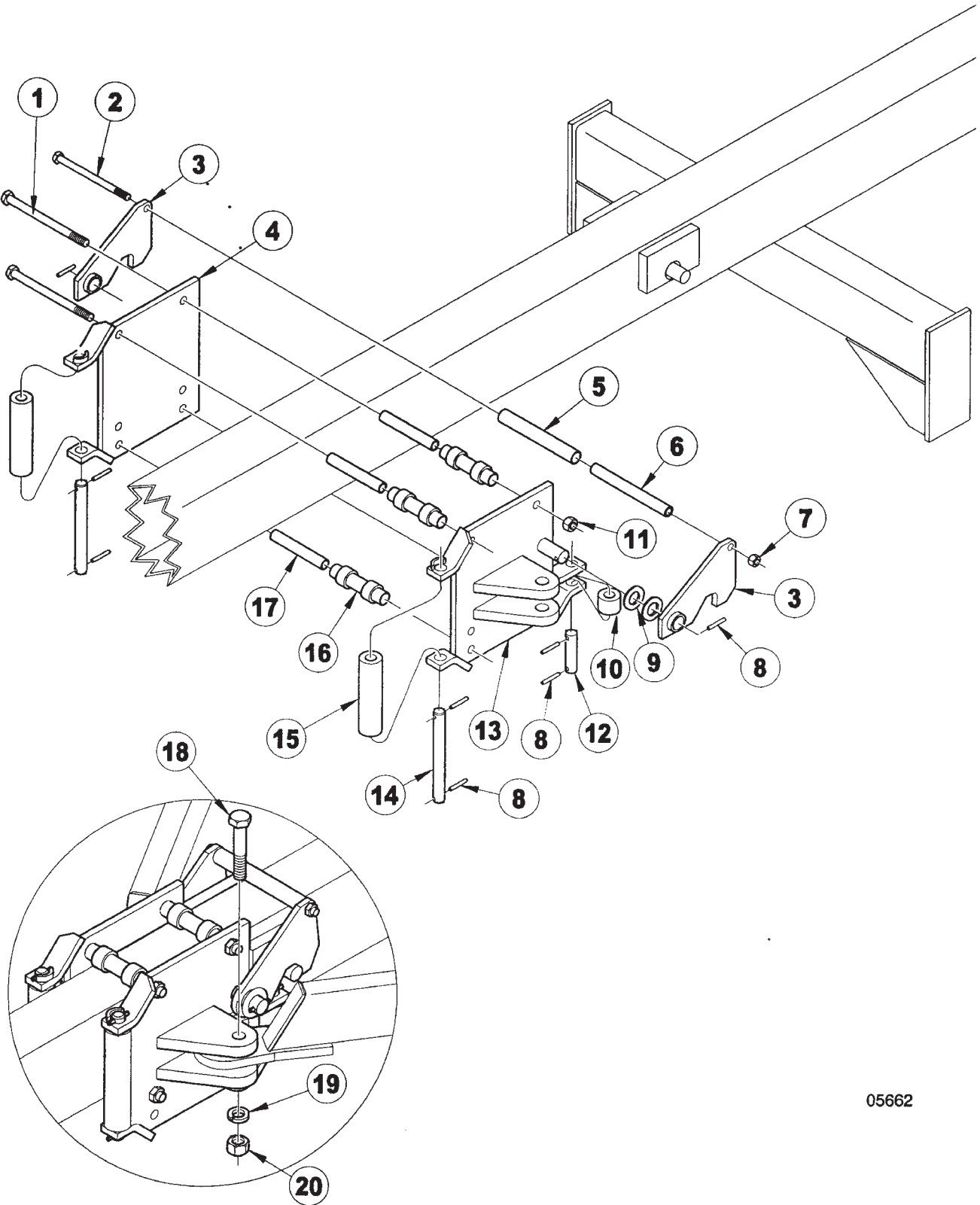
05661

2-POINT HITCH ASSEMBLY

ITEM	NUMBER	QTY	DESCRIPTION
1	SNFK150261		HEX BOLT, 1 1/2"-6 X 6" GR 5, Y/D
2	SN155		HEX BOLT, 1"-8 X 3 1/2", GR 5 Y/D
3	SN6470		PARKING STAND, 30' & 40'
4	SN110		HEX NUT, 1"-8 FULL, GR 5, Y/D
5	SN1283		LOCK WASHER, 1" SPLIT TYPE MED, Y/D
6	SN3938		LOCK NUT, 1"-8 HEX NYLON
7	SN9914		HITCH MOUNTING PLATE
8	SN1860		PIN, 7/16" X 11/32" DIA, 2" L, KLIK
9	SN6817		PIN, 1 7/16" X 10 3/8"
10	SN6818R		SPACER, 2.500" OD X 1.532" ID, 1" L
11	SN1978		HEX NUT, 1 1/2"-6 FULL, GR 2, Y/D
12	SN2079		JAM NUT, 1 1/2"-6 HEX, GR 2, Y/D
13	SN2098-1		GREASE ZERK, 1/8" NPTF, 5/8" L
14	SN9889		TWO POINT HITCH, 2" DIA PIN
15	SN3564		WIRE LOCK PIN, 3/8" X 1 1/2"
16	SNB30001		PIN, 1" X 8 3/8" (6 15/16")
17	SN3485		HEX BOLT, 1"-8 X 8", GR 5, Y/D

I0005661
PR: t05g30m59a0004

SLIDE LOCK ASSEMBLY

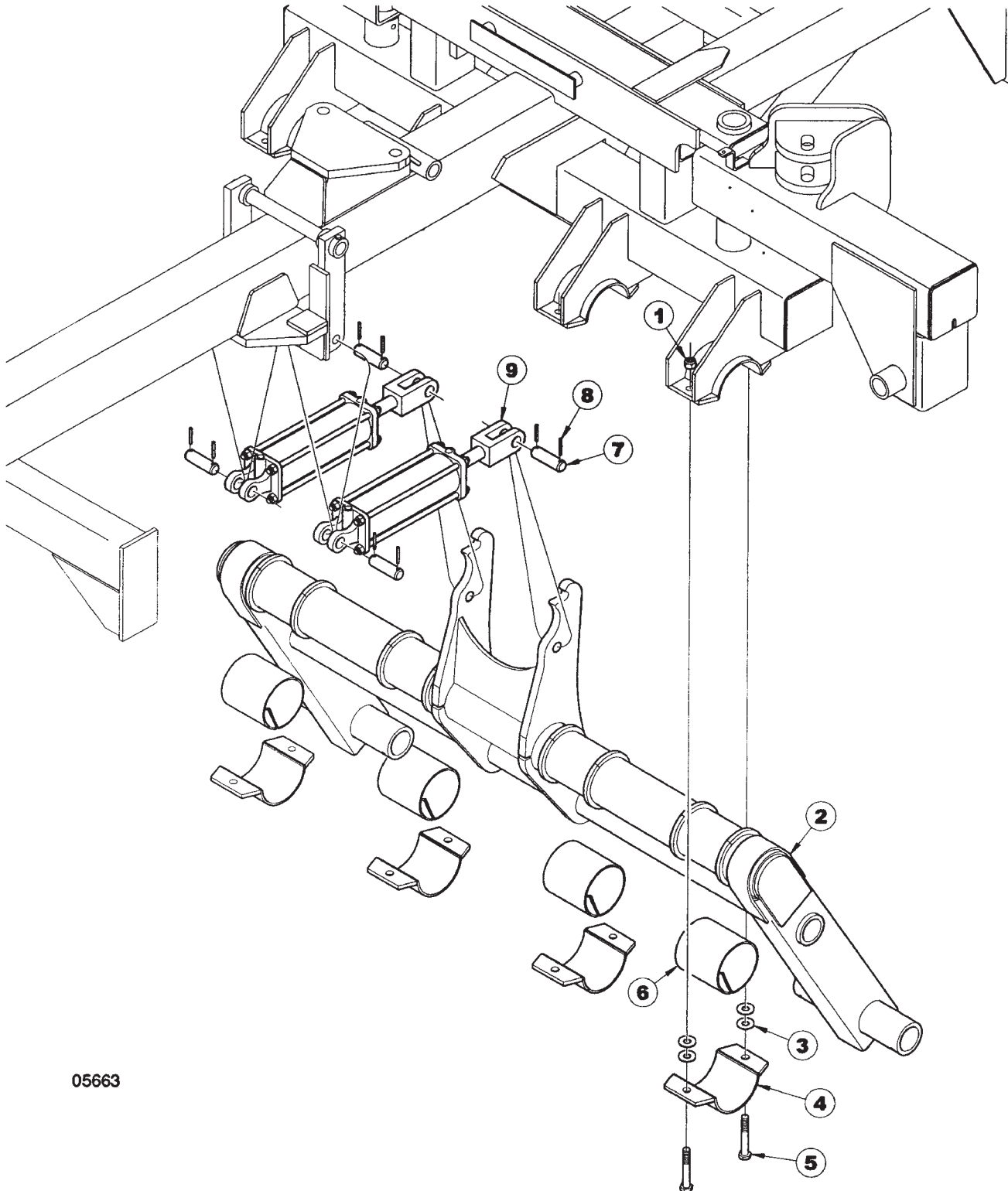


SLIDE LOCK ASSEMBLY

ITEM	NUMBER	QTY	DESCRIPTION
1	SN2148		HEX BOLT, 3/4"-10 X 8 1/2", GR 5, Y/D
2	SNFK150274		HEX BOLT, 5/8"-11 X 11" GR 5, Y/D
3	SN9729		SLIDE HOOK
4	SN9727		SLIDE LOCK PLATE, RIGHT
5	SN6799		SLIDE LOCK ROLLER, 9"
6	SN6800		CLAMP BUSHING, 9 1/4"
7	SN669-1		LOCK NUT, 5/8" HEX NYLON
8	SN3164		ROLL PIN, 5/16" X 2" SPIRAL MEDIUM DUTY, Y/D
9	SNFK150172		FLAT WASHER, 1 1/4" SAE, Y/D
10	SN9731		SLIDE LOCK ROLLER, 3 7/16"
11	SNHEN3410		LOCK NUT, 3/4" HEX NYLON
12	SN9730		ROLLER SHAFT, SHORT
13	SN9728		SLIDE LOCK PLATE, LEFT
14	SN9732		ROLLER SHAFT, LONG
15	SN9733		SLIDE LOCK ROLLER, 9"
16	SN6779		SLIDE LOCK ROLLER, 6 1/8"
17	SN6782		CLAMP BUSHING, 6 3/8"
18	SN3051		HEX BOLT, 1 1/8"-7 X 5 1/4", GR 5, Y/D
19	SN2561		LOCK WASHER, 1 1/8" SPLIT TYPE MED, Y/D
20	SN1300		HEX NUT, 1 1/8"-7 FULL, GR 2, Y/D

I0005662
PR: t05g30m59a0005

CENTER LIFT ASSEMBLY



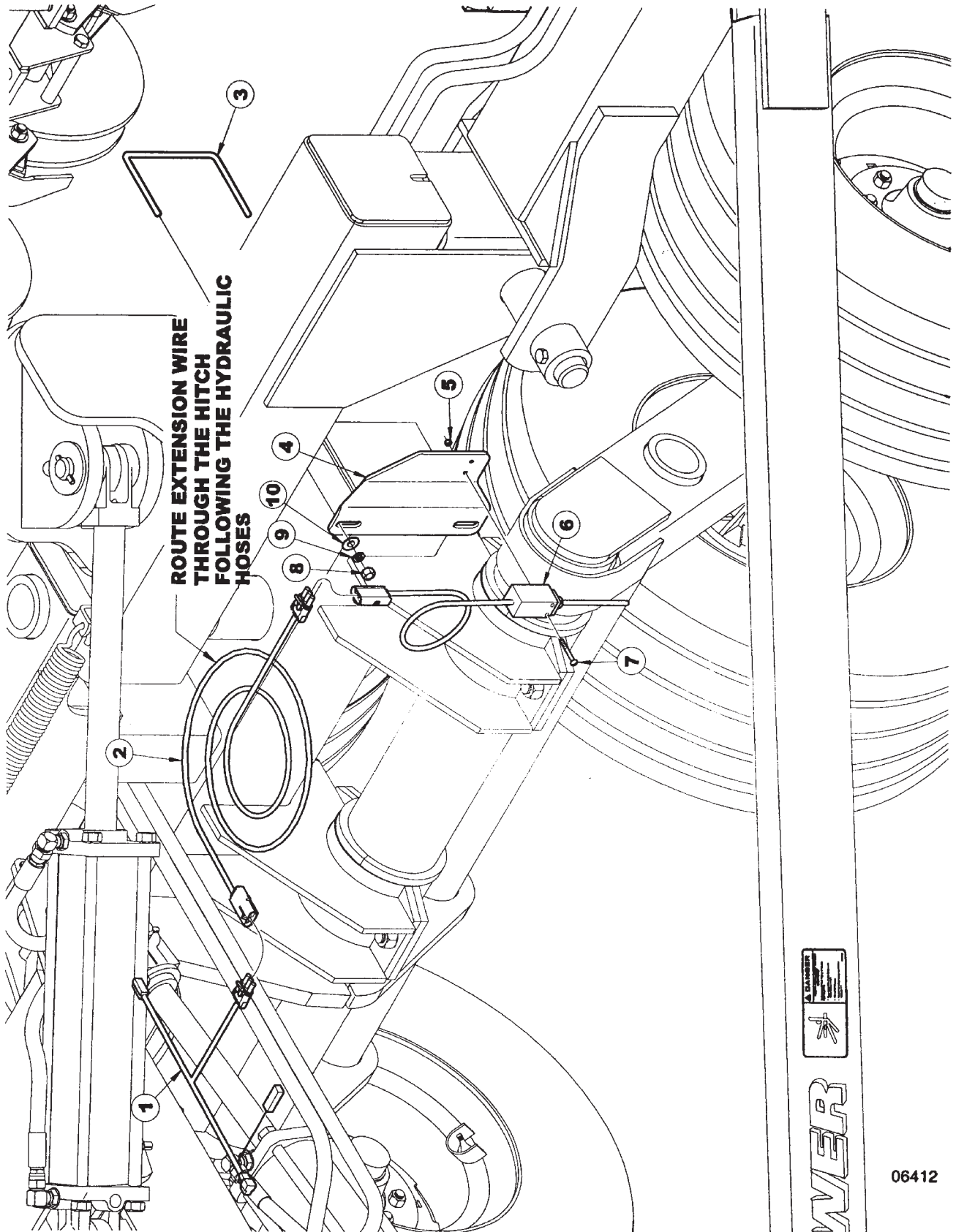
05663

CENTER LIFT ASSEMBLY

ITEM	NUMBER	QTY	DESCRIPTION
1	SNHEN3410		LOCK NUT, 3/4" HEX NYLON
2	SN9894R		CENTER LIFT,9433-30 & 40 GRAIN DRILL
3	SN893		FLAT WASHER, 3/4" Y/D
4	SN9898		BEARING CAP
5	SN1122		HEX BOLT, 3/4"-10 X 2 1/2", GR 5, Y/D
6	SN7325		BEARING, LIFT (SPLIT) 6" WIDE
7	SN5339		PIN, 1" X 4 1/16" (3"), Y/D
8	SN3164		ROLL PIN, 5/16" X 2" SPIRAL MEDIUM DUTY, Y/D
9	SN4430R		CYLINDER, 4" X 10" REPHASING (22 1/4" CPC) CROSS (30')
	SN7419		CYLINDER, 4 1/2" X 10" REPH (22 1/4" CPC) ORB CROSS (40')

I0005663
PR: t05g30m59a0006

WORK SWITCH ASSEMBLY



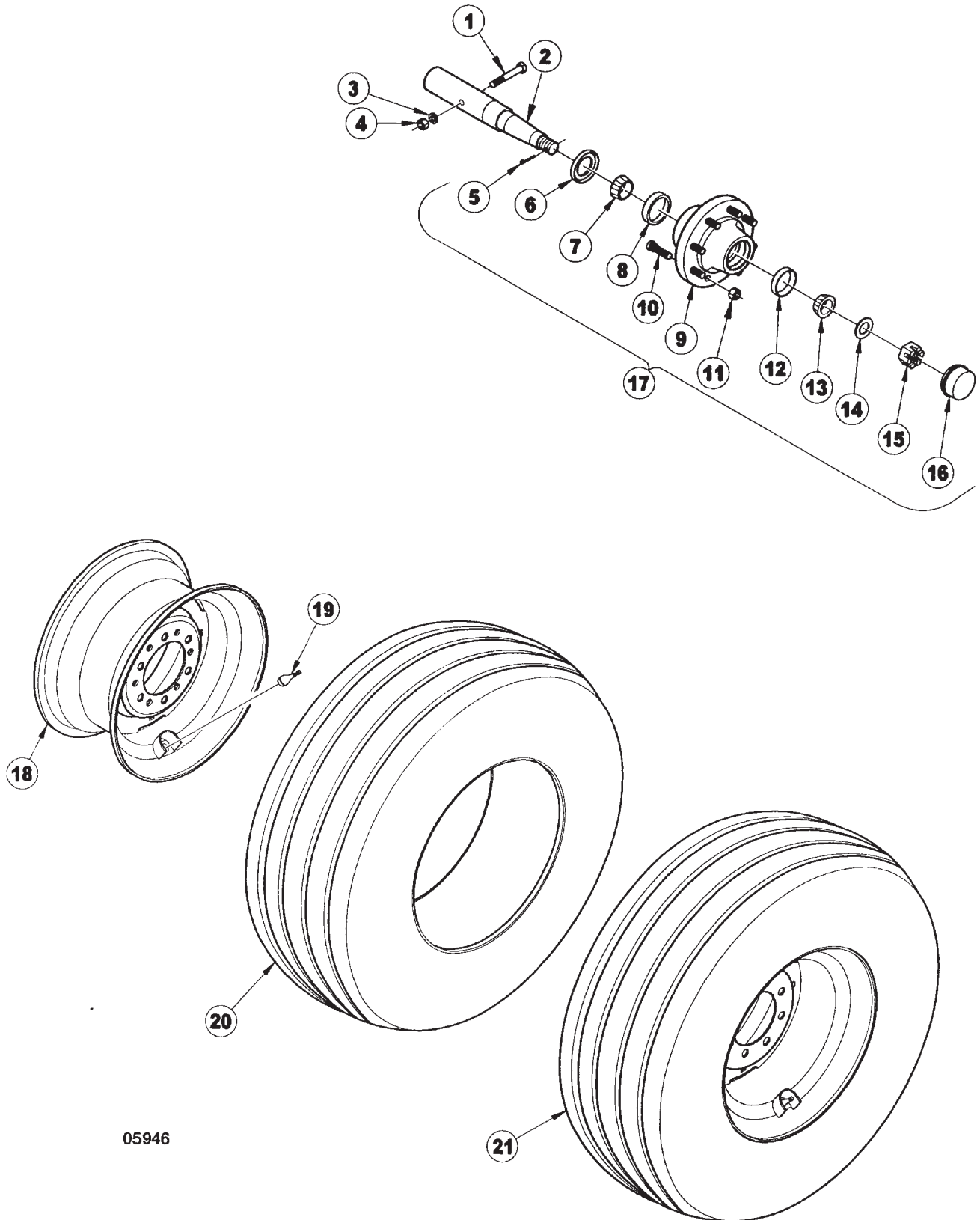
WEB

WORK SWITCH ASSEMBLY

ITEM	NUMBER	QTY	DESCRIPTION
1	SNN32483		CONNECTOR "Y" WIRE TOW BETWEEN
2	SNN32457		WIRE CLUTCH EXTENSION (MAIN) 37.5 FT.
3	SNN31209		U-BOLT 3/8" X 7 1/16 X 8
4	SNN34359		BRACKET SWITCH
5	SNN32102		HEX NUT-3/16
6	SNN32481		WORK SWITCH & WIRE-AIR CART
7	SNN32101		STOVE BOLT PLATED 3/16 X 1 1/2
8	SNW-514		HEX NUT-3/8
9	SNW-523		LOCK WASHER-3/8
10	SNW-538		FLAT WASHER-3/8

I0006412
PR: t05g30m59a0007

CENTER LIFT SPINDLE & WHEEL ASSEMBLY



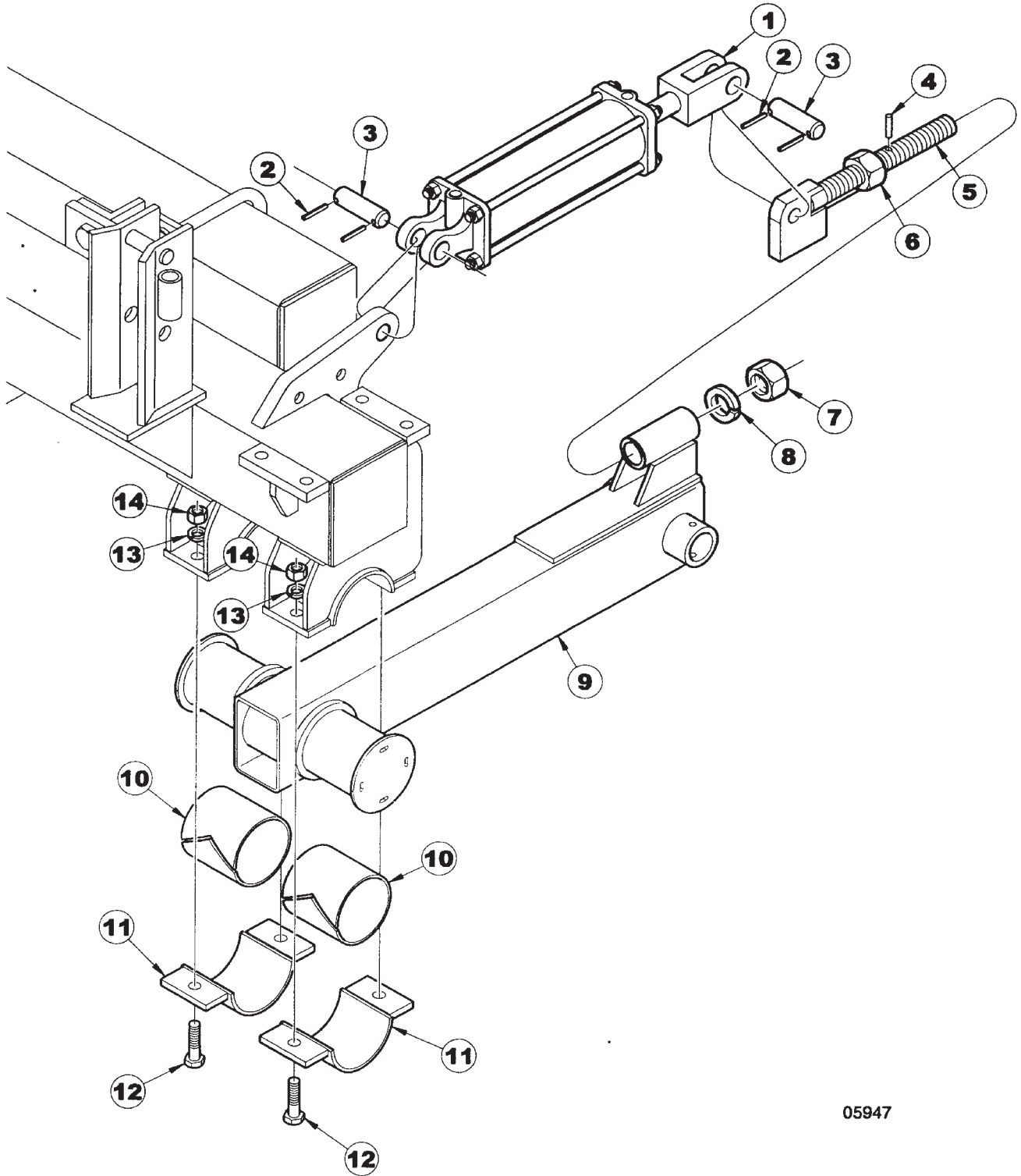
05946

CENTER LIFT SPINDLE & WHEEL ASSEMBLY

ITEM	NUMBER	QTY	DESCRIPTION
1	SN140		HEX BOLT, 1/2"-13 X 4 1/2", GR 5, Y/D
2	SN5621		SPINDLE, 2 3/4" X 15 5/16"L
3	SN113		LOCK WASHER, 1/2" SPLIT TYPE MED, Y/D
4	SN114		HEX NUT, 1/2"-13 FULL, GR 2, Y/D
5	SN1609		COTTER PIN, 3/16" X 1 1/2"
6	SNFK310064		SEAL, 8-BOLT
7	SNFK310062		BEARING (JLM506849)
8	SNFK310063		RACE (JLM506810)
9	SNFK340163		EIGHT BOLT HUB, STUDDED W/CUPS AND LUG NUTS, PAINTED
10	SNFK340167		LUG BOLT, 5/8"-18 X 2 1/4"
11	SNFK340168		LUG NUT, 5/8"-18, GR 5, 90 DEG TAPER, Y/D
12	SN1936		RACE (LM501310)
13	SN1935		BEARING (LM501349)
14	SNFK340165		WASHER, 1 1/16" ID X 2 1/8" OD X 1/4" THICK, PLAIN
15	SN3302		HEX NUT, 1"-14 FULL SLOTTED GR 2, PLAIN
16	SNFK340162		DUST CAP, 3.125" OD, Y/D
17	SNFK800384		EIGHT BOLT HUB ASSY. (INCLUDES ITEMS 5-16)
18	SN3688Y		WHEEL, 15 X 10, 8 BOLT
19	SN3577		VALVE STEM
20	SN5578		TIRE, 12.5L X 15, (GY-FI-F)
21	SN5555		TIRE, 12.5L (GY-FI-F) W/15X10 WH ASSY 8 BT

I0005946
PR: t05g30m59a0008

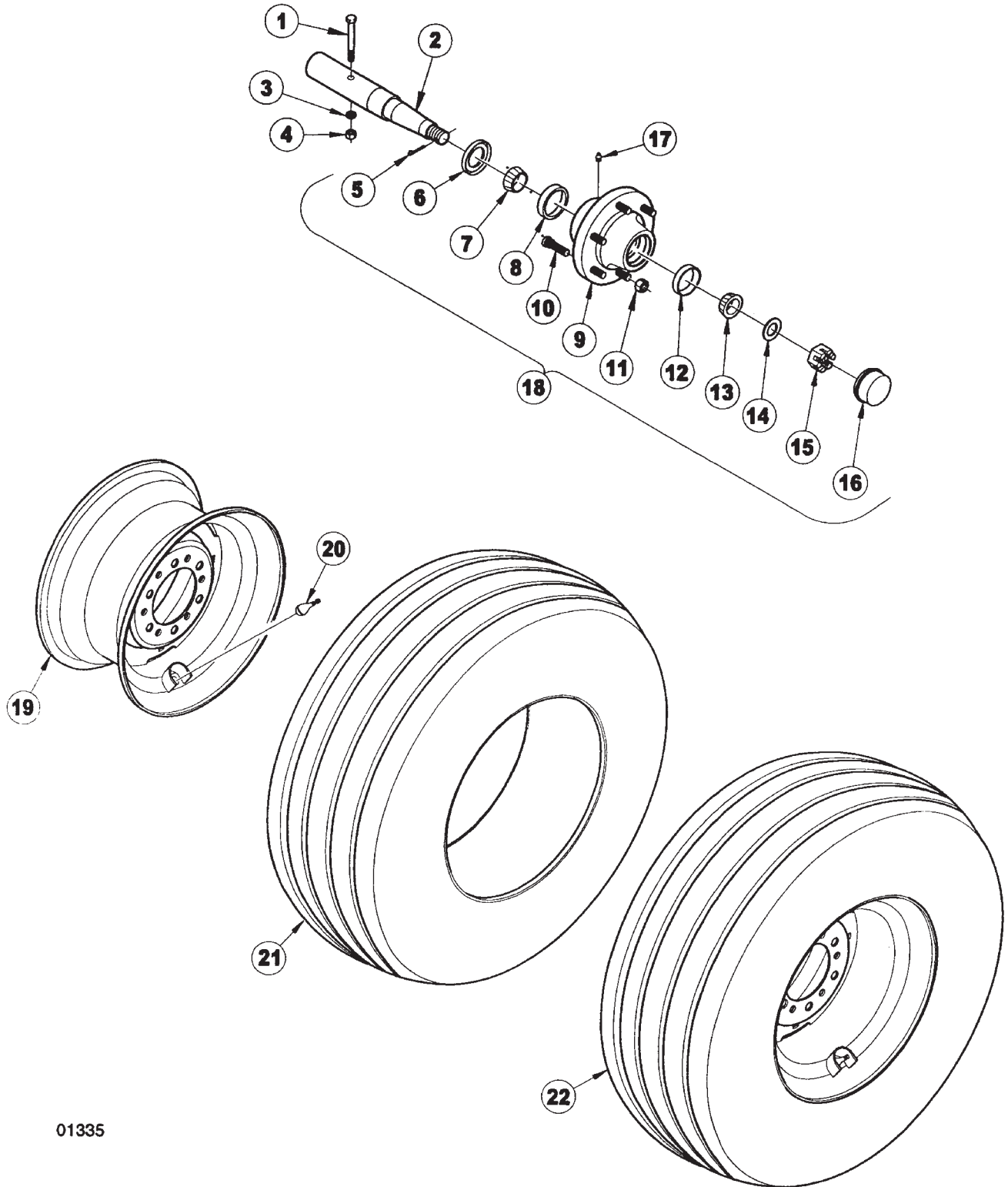
WING LIFT ASSEMBLY



ITEM	NUMBER	QTY	DESCRIPTION
1	SN4431R		CYLINDER, 3 3/4" X 10" REPH. (22 1/4" CPC) CROSS (30')
	SN7104		CYLINDER, 4 1/4" X 10" REPHAS-ING (22 1/4" CPC) ORB CROSS (40')
2	SN3164		ROLL PIN, 5/16" X 2" SPIRAL MEDIUM DUTY, Y/D
3	SN5339		PIN, 1" X 4 1/16" (3"), Y/D
4	SN4623		GUIDE PIN
5	SN6155		ADJUSTMENT BOLT
6	SN2079		JAM NUT, 1 1/2"-6 HEX, GR 2, Y/D
7	SN1978		HEX NUT, 1 1/2"-6 FULL, GR 2, Y/D
8	SN2085		LOCK WASHER, 1 1/2" SPLIT TYPE MED, Y/D
9	SN9908		LIFT ARM, 9433-30 & 40, GRAIN DRILL
10	SN6425		BEARING, LIFT (SPLIT)
11	SN6301		BEARING CAP
12	SN1122		HEX BOLT, 3/4"-10 X 2 1/2", GR 5, Y/D
13	SN1040		LOCK WASHER, 3/4" SPLIT TYPE MED, Y/D
14	SN106		HEX NUT, 3/4"-10 FULL, GR 5, Y/D

I0005947
PR: t05g30m59a0009

WING LIFT SPINDLE & TIRE ASSEMBLY

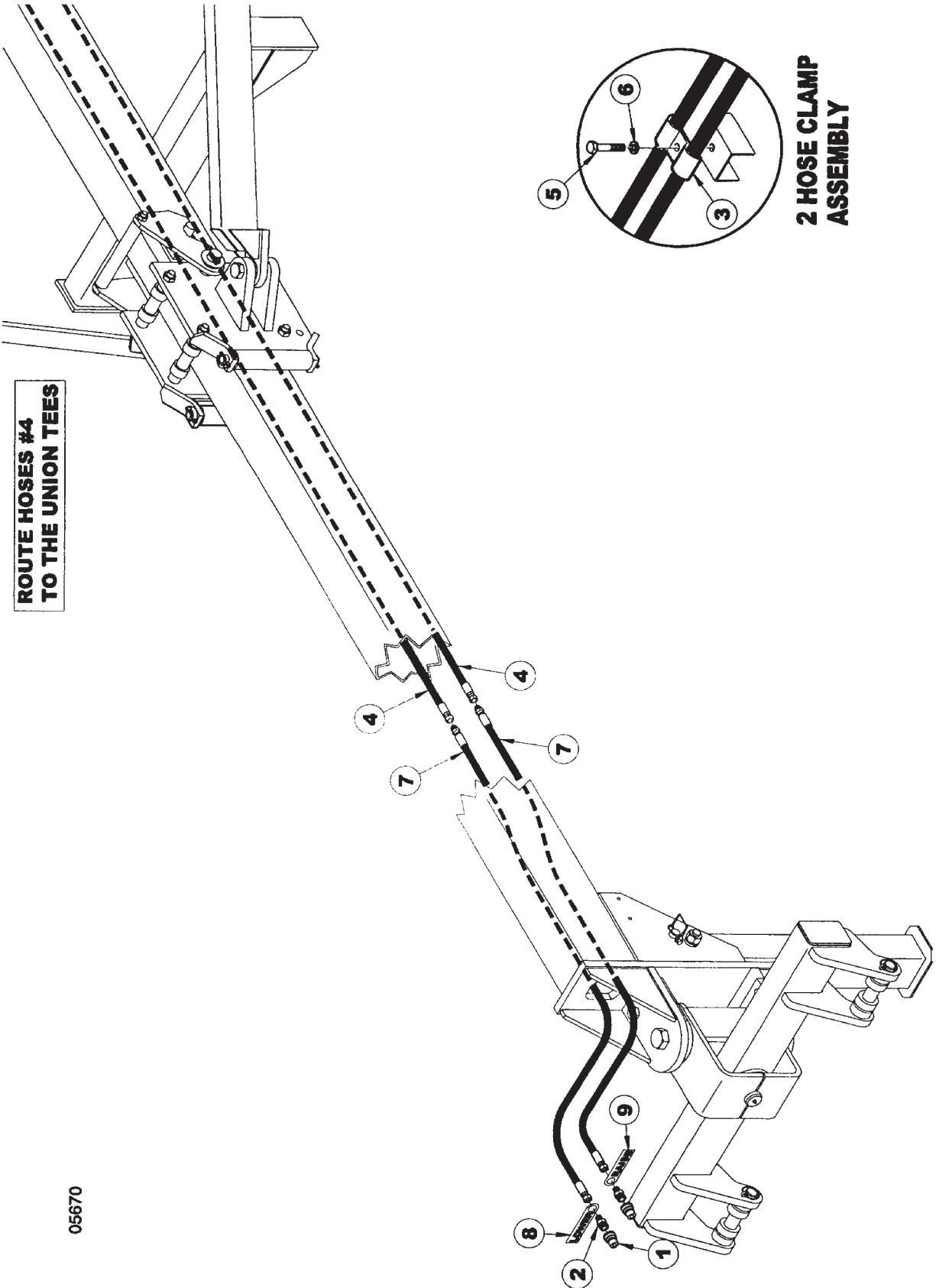


WING LIFT SPINDLE & TIRE ASSEMBLY

ITEM	NUMBER	QTY	DESCRIPTION
1	SN2585		HEX BOLT, 7/16"-14 X 3 1/2", GR 5, Y/D
2	SN3298		SPINDLE, 2" X 11 1/4"
3	SN302		LOCK WASHER, 7/16" SPLIT TYPE MED, Z
4	SN303		HEX NUT, 7/16"-14 FULL, GR 2, Y/D
5	SN3066		COTTER PIN, 7/32" X 1 1/2"
6	SN3301		TRIPLE LIP SEAL
7	SN1935		BEARING (LM501349)
8	SN1936		RACE (LM501310)
9	SN1937		SIX BOLT HUB, STUDDED W/CUPS AND LUG NUTS, PAINTED
10	SN3118		LUG BOLT, 9/16"-18 X 1 7/8" PRESS IN, PL
11	SN3117		LUG NUT, 9/16"-18, GR 5, 90 DEG TAPER, Y/D
12	SN1605		RACE (LM67010)
13	SN1606		BEARING (LM67048)
14	SN3303		WASHER, 1 1/32" ID X 1 3/4" ODX 1/8" THICK, PLAIN
15	SN3302		HEX NUT, 1"-14 FULL SLOTTED GR 2, PLAIN
16	SN1610		DUST CAP, 2.448" OD, Y/D
17	SN2098-6		GREASE ZERK, 1/4"-28, 17/32" L
18	SN3300		SIX BOLT HUB ASSEMBLY W/3301 SEAL (INCLUDES ITEMS 5-16)
19	SN5094		WHEEL, 15 X 6, 6-BOLT
20	SN3577		VALVE STEM
21	SN3579		TIRE, 9.5L X 15, 12 PLY,
22	SN5152		TIRE, 9.5L 12 PLY TUBELESS W/ 15 X 6 WH ASSY 6 BT

I0001335
PR: t05g30m59a0010

MAIN FRAME LIFT HYDRAULICS



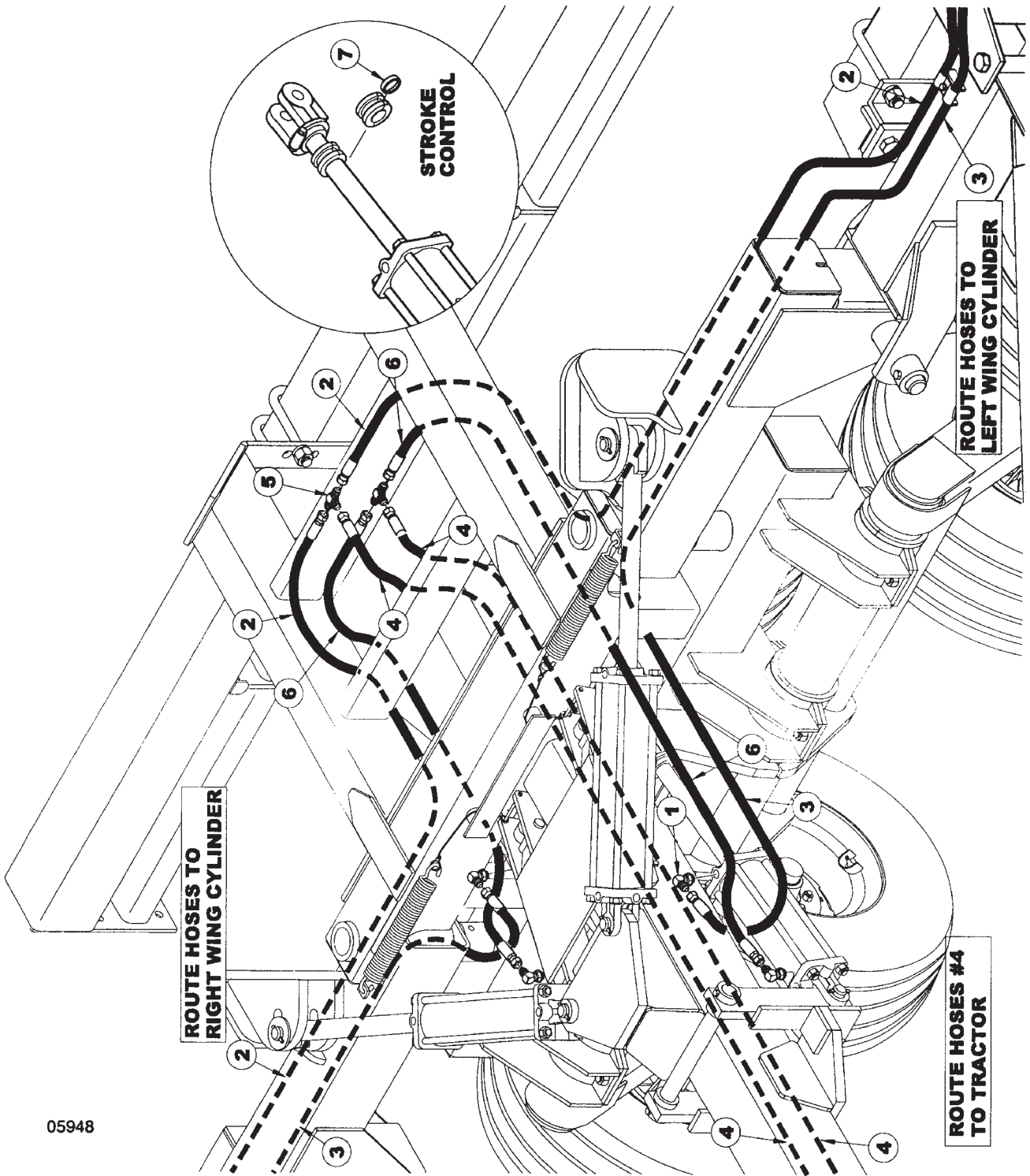
05670

ITEM	NUMBER	QTY	DESCRIPTION
1	SN3253		HYDRAULIC COUPLER, MALE HALF
2	SN2426		MALE CONNECTOR, 7/8"-14 MF X 1/2-14 MPT
3	SN5302		PIPE CLAMP, 3/8" BOLT HOLE
4	SN4198005		HOSE, 1/2" X 198" L, FEMALE ENDS
5	SN3984		HEX BOLT, 3/8"-16 X 1 1/4", GR 5, Y/D
6	SN176		LOCK WASHER, 3/8" SPLIT TYPE MED, Y/D
7	SN4130006		HOSE, 1/2" X 130" L, M/F ENDS
	SN4198006		HOSE, 1/2" X 198" L, M/F ENDS

WARNING
THESE PARTS ARE IMPORTANT TO THE SAFETY
OF THIS EQUIPMENT AND THOSE WHO OPERATE
IT. USE ONLY EXACT REPLACEMENT PARTS TO
PREVENT HYDRAULIC FAILURE. BEFORE
REPLACING THESE PARTS, REVIEW AND
FOLLOW THE INSTRUCTIONS IN THE SAFETY
AND OPERATING SECTIONS OF THIS MANUAL.

I0005670
PR: t05g30m59a0011

CENTER FRAME LIFT HYDRAULICS



05948

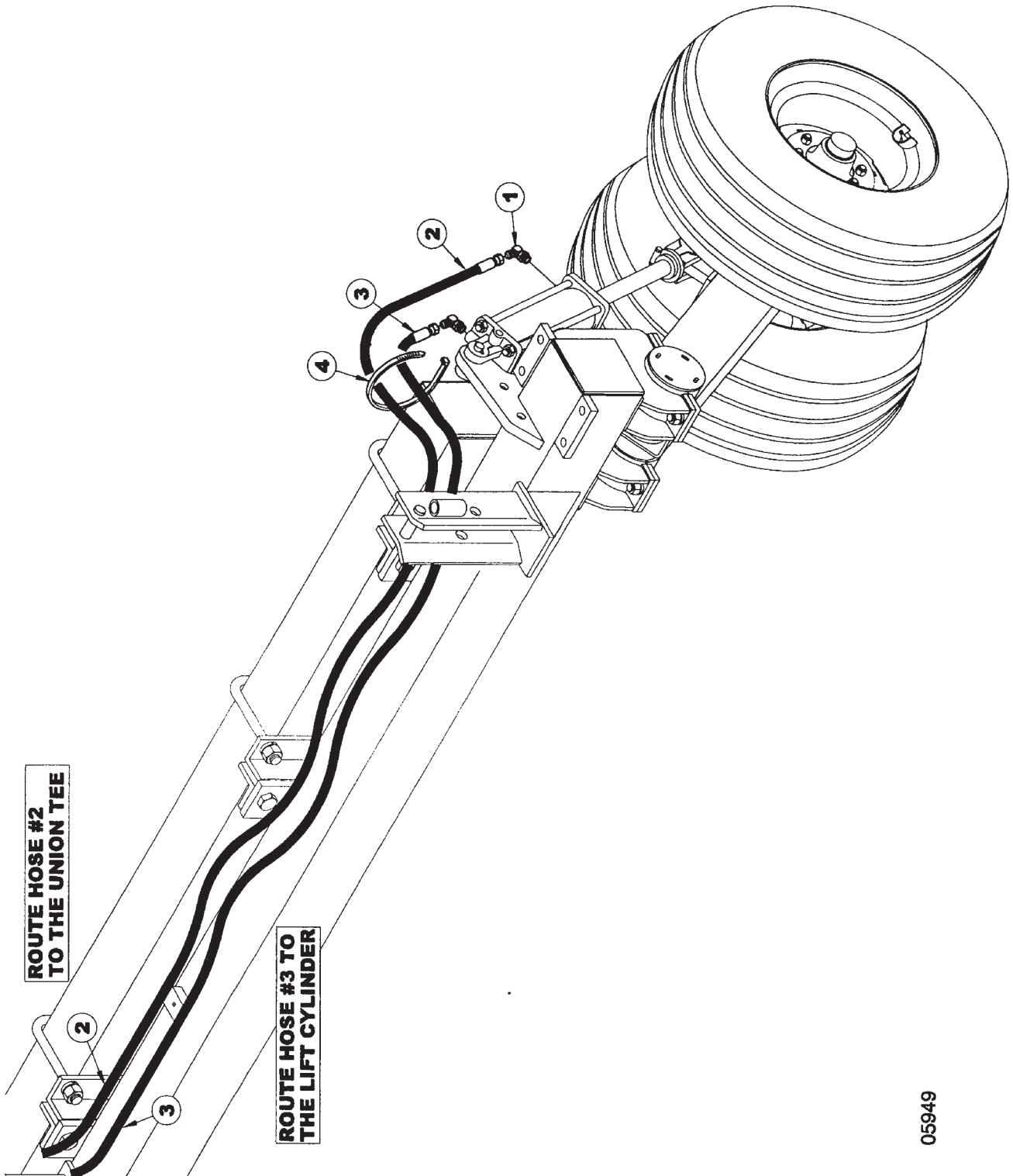
CENTER FRAME LIFT HYDRAULICS

ITEM	NUMBER	QTY	DESCRIPTION
1	SN4457		90 DEG STRAIGHT THD ELBOW, 7/8"-14 MF X 3/4"-16 MOR
2	SN4224005		HOSE, 1/2" X 224" L, FEMALE ENDS (30')
	SN4285005		HOSE, 1/2" X 285" L, FEMALE ENDS (40')
3	SN4255005		HOSE, 1/2" X 255" L, FEMALE ENDS (30')
	SN4294005		HOSE, 1/2" X 294" L, FEMALE ENDS (40')
4	SN4198005		HOSE, 1/2" X 198" L, FEMALE ENDS
5	SN4460		UNION TEE, 7/8"-14 MF
6	SN4065005		HOSE, 1/2" X 65" L, FEMALE ENDS
7	SN2355		STROKE CONTROL SEGMENTS, 1 1/2" DIAMETER

WARNING
THESE PARTS ARE IMPORTANT TO THE SAFETY OF THIS EQUIPMENT AND THOSE WHO OPERATE IT. USE ONLY EXACT REPLACEMENT PARTS TO PREVENT HYDRAULIC FAILURE. BEFORE REPLACING THESE PARTS, REVIEW AND FOLLOW THE INSTRUCTIONS IN THE SAFETY AND OPERATING SECTIONS OF THIS MANUAL.

I0005948
PR: t05g30m59a0012

OUTER WING LIFT HYDRAULICS

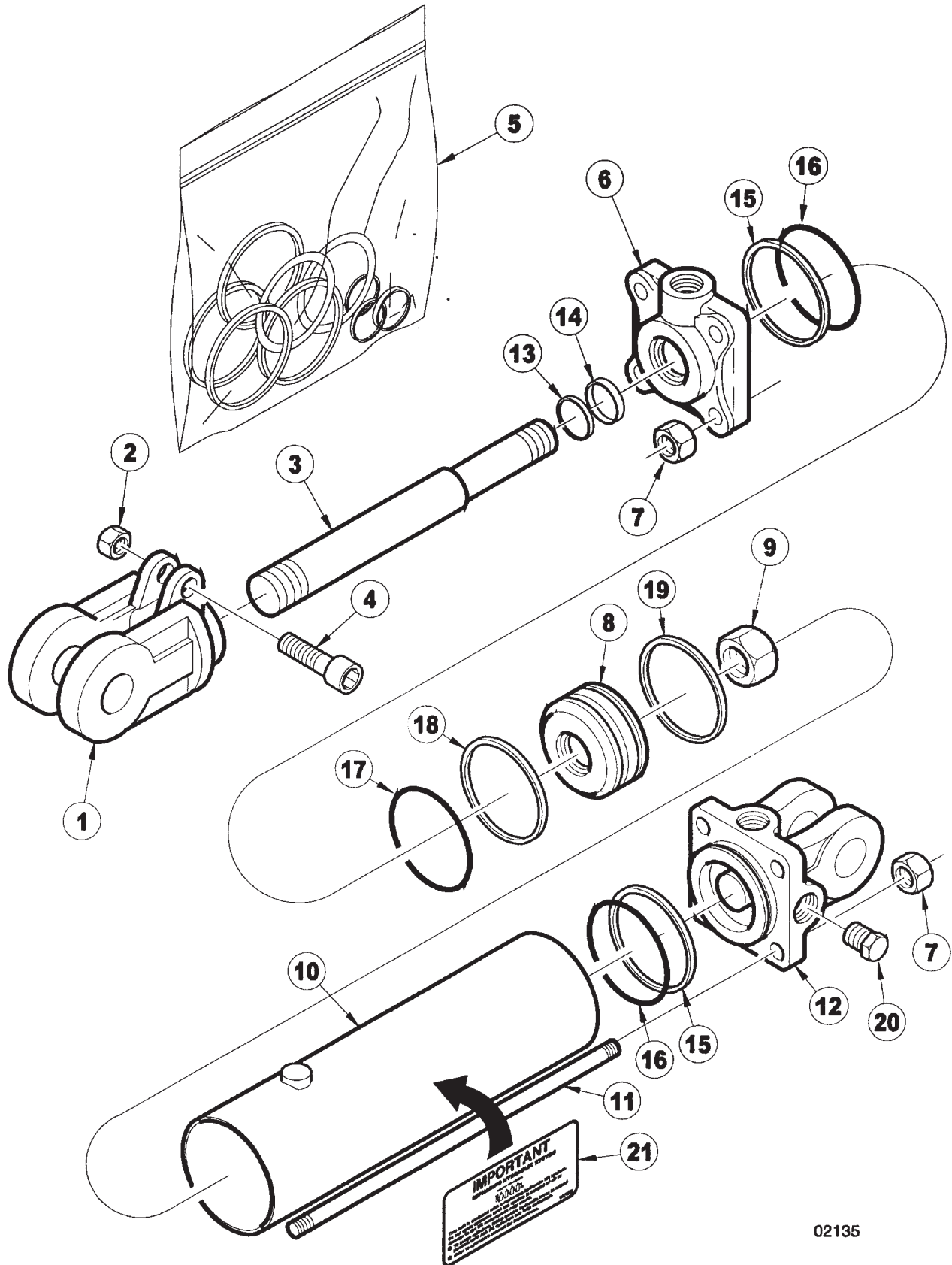


ITEM	NUMBER	QTY	DESCRIPTION
1	SN4457		90 DEG STRAIGHT THD ELBOW, 7/8"-14 MF X 3/4"-16 MOR
2	SN4224005		HOSE, 1/2" X 224" L, FEMALE ENDS (30')
	SN4285005		HOSE, 1/2" X 285" L, FEMALE ENDS (40')
3	SN4255005		HOSE, 1/2" X 255" L, FEMALE ENDS (30')
	SN4294005		HOSE, 1/2" X 294" L, FEMALE ENDS (40')
4	SN2587		PLASTIC HOSE STRAP, 21 1/2" L

WARNING
THESE PARTS ARE IMPORTANT TO THE SAFETY
OF THIS EQUIPMENT AND THOSE WHO OPERATE
IT. USE ONLY EXACT REPLACEMENT PARTS TO
PREVENT HYDRAULIC FAILURE. BEFORE
REPLACING THESE PARTS, REVIEW AND
FOLLOW THE INSTRUCTIONS IN THE SAFETY

I0005949
PR: t05g30m59a0013

3 3/4" X 10" HYDRAULIC CYLINDER (4431R)



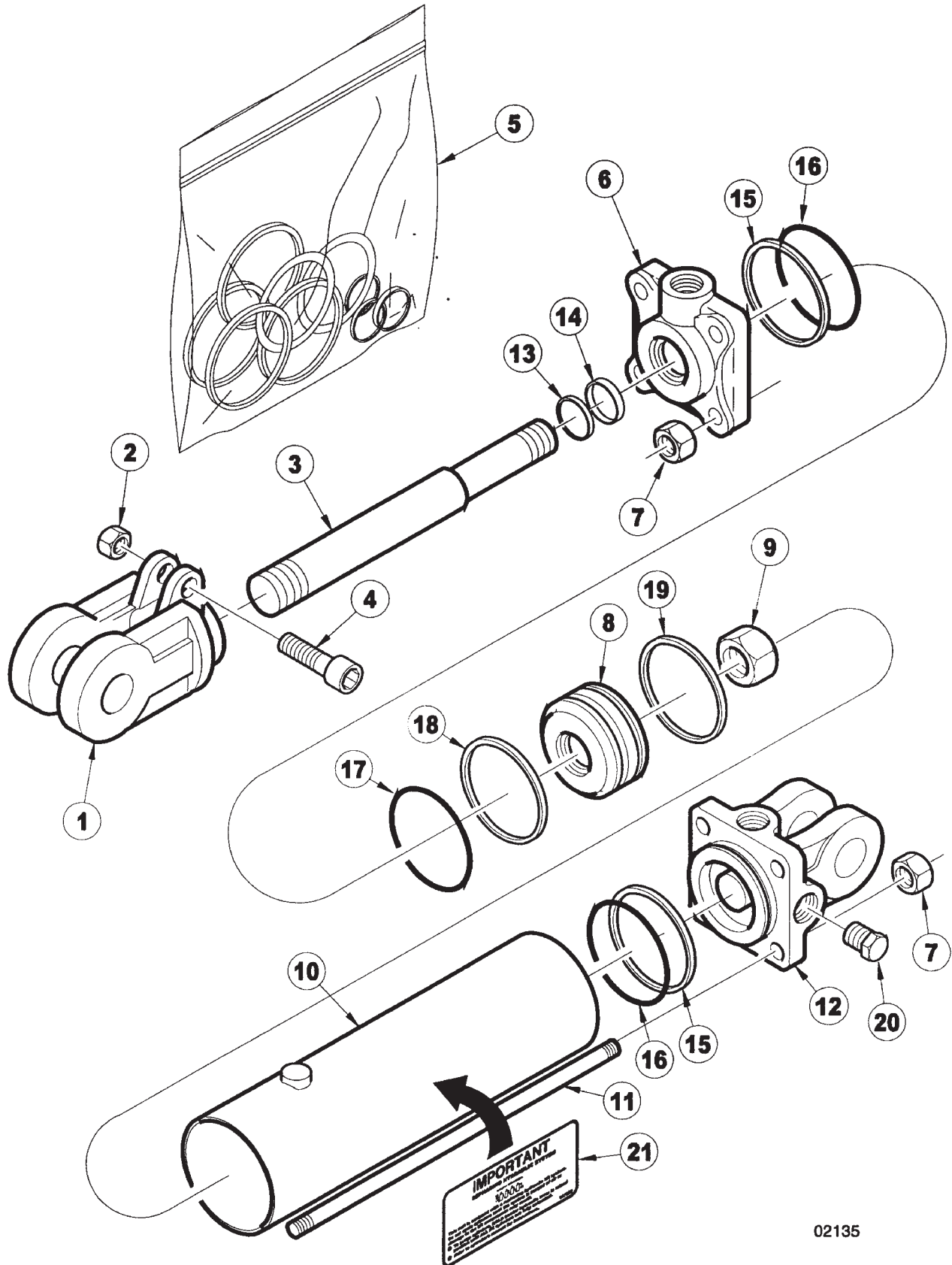
3 3/4" X 10" HYDRAULIC CYLINDER (4431R)

ITEM	NUMBER	QTY	DESCRIPTION
1	SN8610-1		CLEVIS, 1 1/4" THREADS, 1" PIN W/BUSHING, CROSS
2	SN8671-1		CAPSCREW NUT, 5/16" THREADS CROSS
3	SN8899-1		ROD, 1 3/8" DIA, 10" REPHASING CROSS
4	SN8631-1		CAPSCREW, CROSS
5	SN8776-1		SEAL KIT, 3 3/4", 1 3/8" ROD, REPHASING CROSS
6	SN8736-10		HEAD, 3 3/4", 1 3/8" ROD
7	SN8864-1		TIE ROD NUT, 5/8" THREADS
8	SN8717-1		PISTON, 3 3/4" W/1" HOLE
9	SN8683-1		PISTON NUT, 1" CROSS
10	SN8828-1		TUBE, 3 3/4" X 10" REPHASING CROSS
11	SN8849-1		TIE ROD BOLT, 4" X 10" CROSS
12	SN8698-10		BASE, 3 3/4" (ORB), 1" PIN REPHASING CROSS
13			* WIPER
14			* U-CUP
15			* BACKUP
16			* O-RING
17			* O-RING
18			* TEFLON RING
19			* WEAR RING
20	SN4458		PLUG, 3/4"-16 MOR
21	SN997052		SYSTEMS MUST BE BLED OF AIR

NOTE: AVAILABLE IN THE SEAL KIT ONLY

I0002135
PR: t05g30m59a0014

4" X 10" HYDRAULIC CYLINDER (4430R)



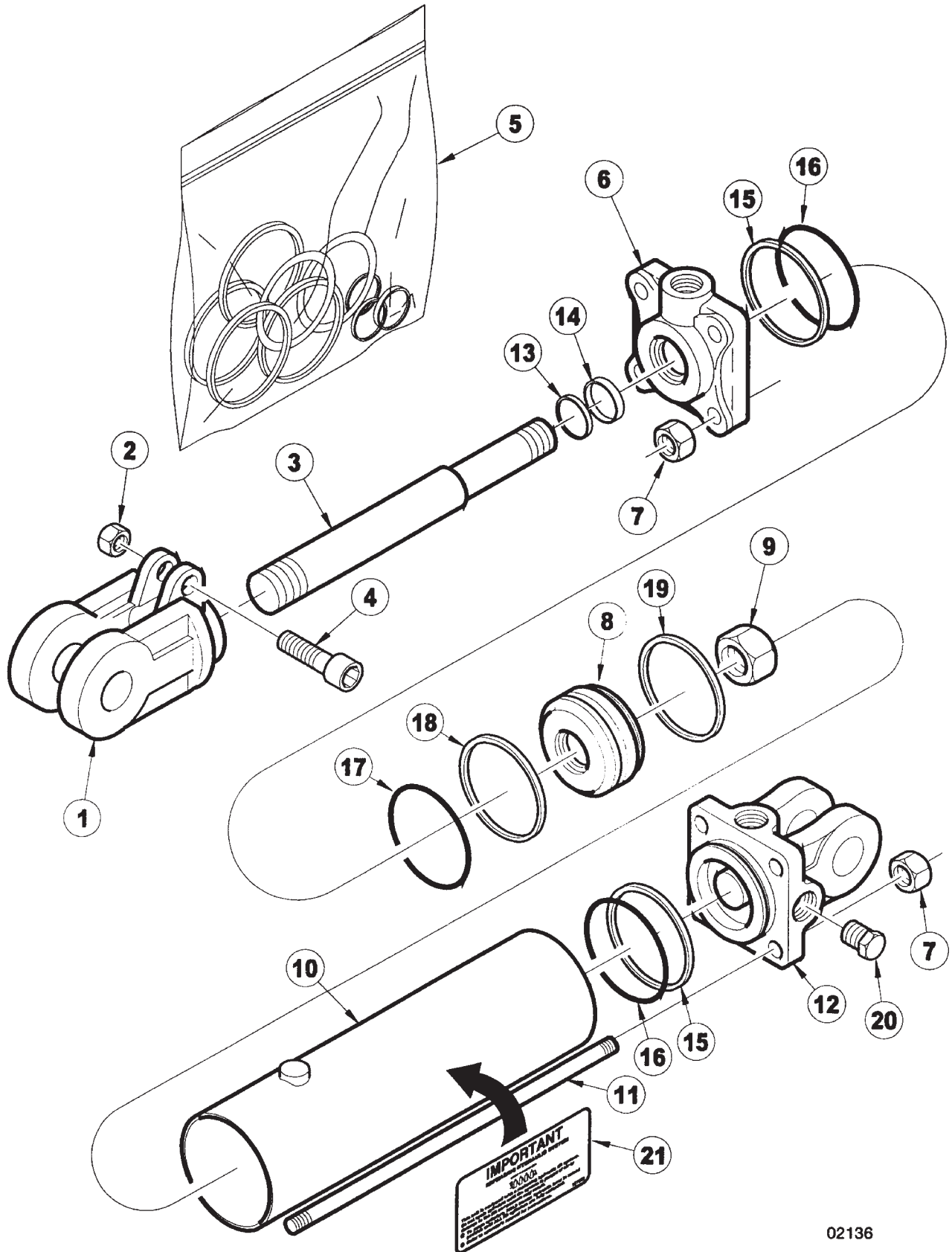
4" X 10" HYDRAULIC CYLINDER (4430R)

ITEM	NUMBER	QTY	DESCRIPTION
1	SN8610-1		CLEVIS, 1 1/4" THREADS, 1" PIN W/BUSHING, CROSS
2	SN8671-1		CAPSCREW NUT, 5/16" THREADS CROSS
3	SN8899-1		ROD, 1 3/8" DIA, 10" REPHASING CROSS
4	SN8631-1		CAPSCREW, CROSS
5	SN8781-1		SEAL KIT, 4", 1 3/8" ROD REPHASING CROSS
6	SN8739-10		HEAD, 4" 1 3/8" ROD, REPHASING CROSS
7	SN8864-1		TIE ROD NUT, 5/8" THREADS
8	SN8718-1		PISTON, 4" W/1" HOLE REPHASING CROSS
9	SN8683-1		PISTON NUT, 1" CROSS
10	SN8826-1		TUBE, 4" X 10" REPHASING CROSS
11	SN8849-1		TIE ROD BOLT, 4" X 10" CROSS
12	SN8699-10		BASE, 4" REPHASING, CROSS
13			* WIPER
14			* U-CUP
15			* BACKUP
16			* O-RING
17			* O-RING
18			* TEFLON RING
19			* WEAR RING
20	SN4458		PLUG, 3/4"-16 MOR
21	SN997052		SYSTEMS MUST BE BLED OF AIR

NOTE: AVAILABLE IN THE SEAL KIT ONLY

I0002135
PR: t05g30m59a0015

4 1/4" X 10" HYDRAULIC CYLINDER (7104R)



9130-9230 OPERATOR'S MANUAL
SERVICE PARTS

37

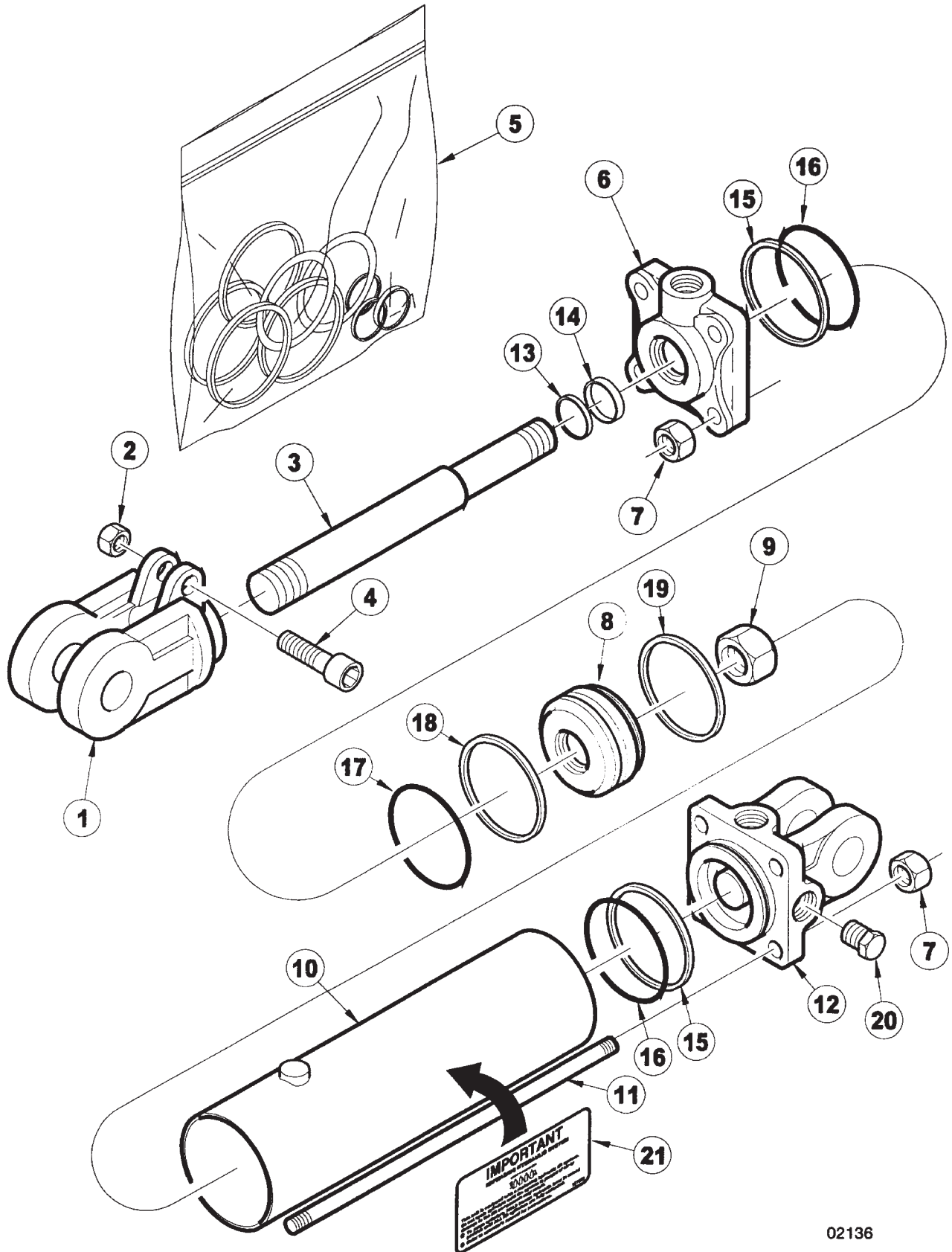
4 1/4" X 10" HYDRAULIC CYLINDER (7104R)

ITEM	NUMBER	QTY	DESCRIPTION
1	SN8610-1		CLEVIS, 1 1/4" THREADS, 1" PIN W/BUSHING, CROSS
2	SN8671-1		CAPSCREW NUT, 5/16" THREADS CROSS
3	SN8966-1		ROD, 1 3/8" DIA, 10" CROSS
4	SN8631-1		CAPSCREW, CROSS
5	SN8780-1		SEAL KIT, 4 1/4", 1 3/8" ROD REPHASING CROSS
6	SN8741-10		HEAD, 4 1/4", 1 3/8" ROD
7	SN8865-1		TIE ROD NUT, 3/4" THREADS
8	SN8695-1		PISTON, 4 1/4" W/1 1/4" HOLE REPHASING, CROSS
9	SN8683-1		PISTON NUT, 1" CROSS
10	SN8805-1		TUBE, 4 1/4" X 10", CROSS
11	SN8873-1		TIE ROD BOLT, 4 1/4" X 10", CROSS
12	SN8675-10		BASE, 4 1/4" (ORB), 1" PIN, CROSS
13			* WIPER
14			* U-CUP
15			* BACK-UP
16			* O-RING
17			* O-RING
18			* TEFLON RING
19			* WEAR RING
20	SN4458		PLUG, 3/4"-16 MOR
21	SN997052		SYSTEMS MUST BE BLED OF AIR

NOTE: AVAILABLE IN THE SEAL KIT ONLY

I0002136
PR: t05g30m59a0016

4 1/2" X 10" HYDRAULIC CYLINDER (7419R)



4 1/2" X 10" HYDRAULIC CYLINDER (7419R)

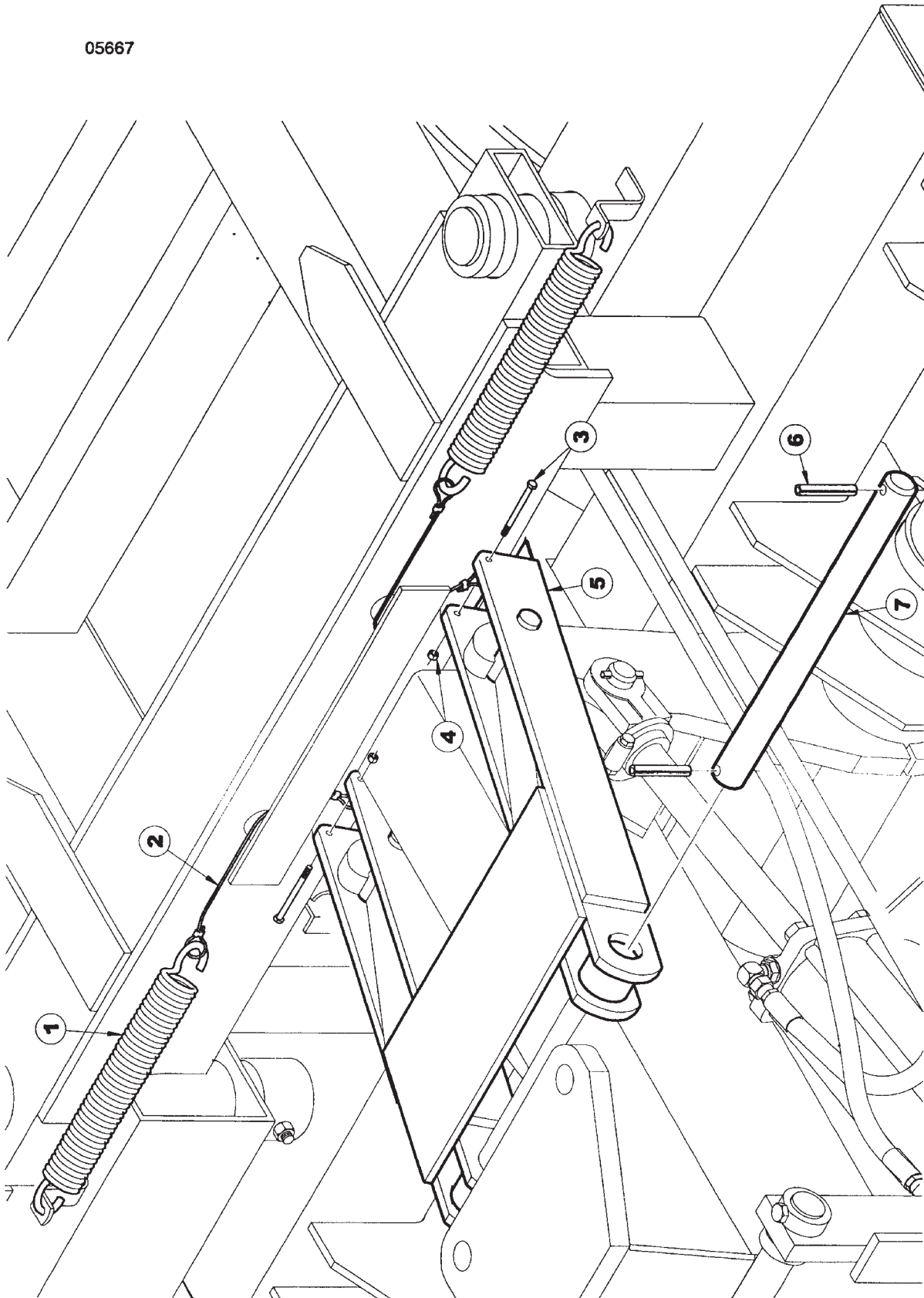
ITEM	NUMBER	QTY	DESCRIPTION
1	SN8617-1		CLEVIS, 1 1/2" THREADS, CROSS
2	SN8671-1		CAPSCREW NUT, 5/16" THREADS CROSS
3	SN8901-1		ROD, 1 1/2" DIA, 10" REPHASING CROSS
4	SN8631-1		CAPSCREW, CROSS
5	SN8799-1		SEAL KIT, 4 1/2", 1 1/2" ROD, CROSS
6	SN8730-10		HEAD, 4 1/2", 1 1/2" ROD
7	SN8865-1		TIE ROD NUT, 3/4" THREADS
8	SN8720-1		PISTON, 4 1/2" REPHASING CROSS
9	SN8685-1		PISTON NUT, 1 1/4" THREAD, CROSS
10	SN8804-1		TUBE, 4 1/2" X 10" REPHASING CROSS
11	SN8873-1		TIE ROD BOLT, 4 1/4" X 10", CROSS
12	SN8679-10		BASE, 4 1/2" (ORB), 1" PIN CROSS
13			* WIPER
14			* U-CUP
15			* BACKUP
16			* O-RING
17			* O-RING
18			* TEFLON RING
19			* WEAR RING
20	SN4458		PLUG, 3/4"-16 MOR
21	SN997052		SYSTEMS MUST BE BLED OF AIR

NOTE: AVAILABLE IN THE SEAL KIT ONLY

I0002136
PR: t05g30m59a0017

TRANSPORT LOCK ASSEMBLY

05667

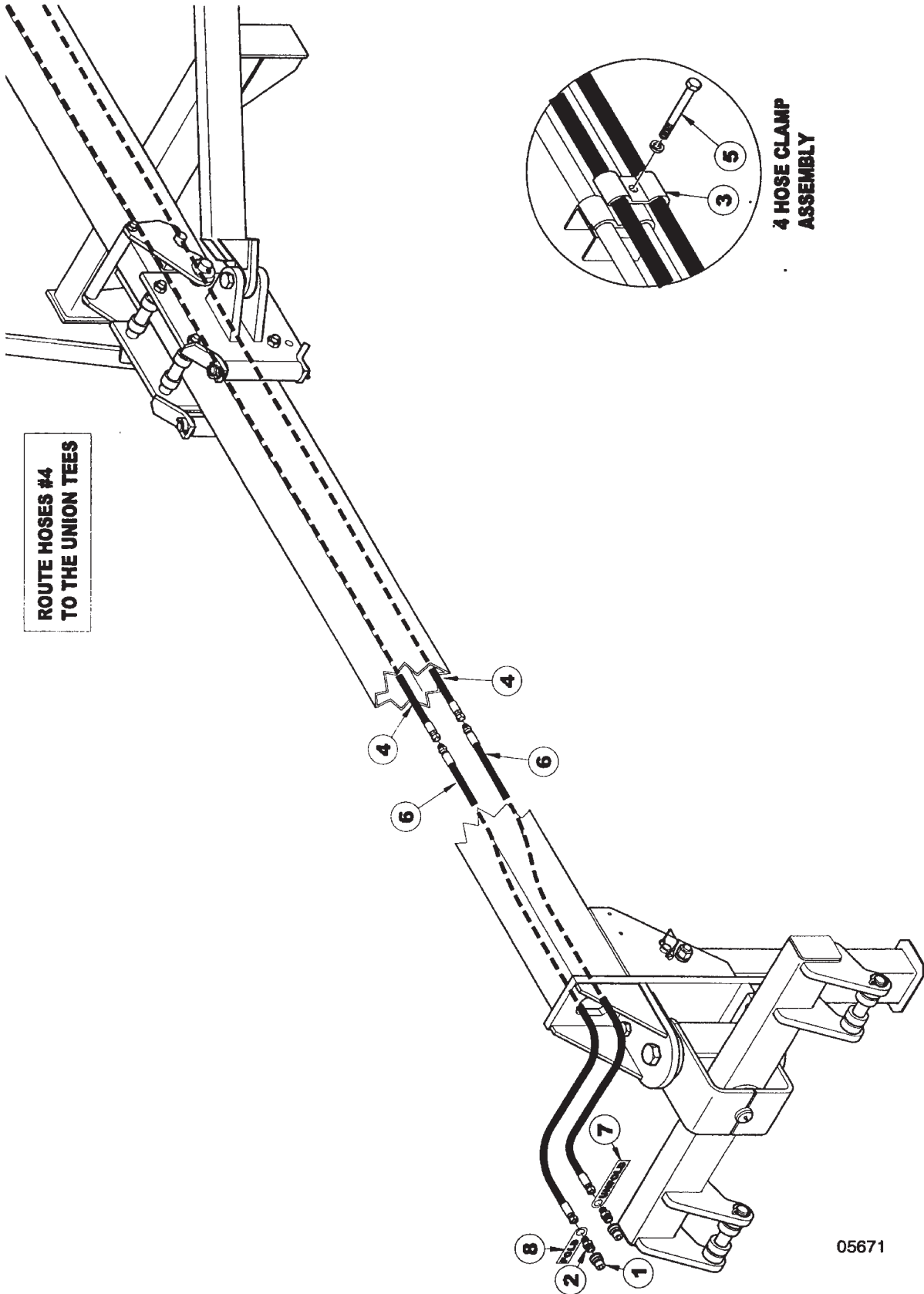


TRANSPORT LOCK ASSEMBLY

ITEM	NUMBER	QTY	DESCRIPTION
1	SN7198		SPRING, 1.250" OD X 1.020" ID, 6" L EXTENSION
2	SN7197		CABLE, 17"
3	SN7771		HEX BOLT, 1/4"-20 X 4 1/2", GR 5, Y/D
4	SN3881		LOCK NUT, 1/4"-20 HEX NYLON INSERT, GR 2, Y/D
5	SN9901R		TRANSPORT LOCK, 9433
6	SNFK150025		ROLL PIN, 1/2" X 3 1/2" Y/D
7	SN7193		PIN, 1 1/2" X 18" (16")

I0005667
PR: t05g30m59a0018

MAIN FRAME FOLD HYDRAULICS

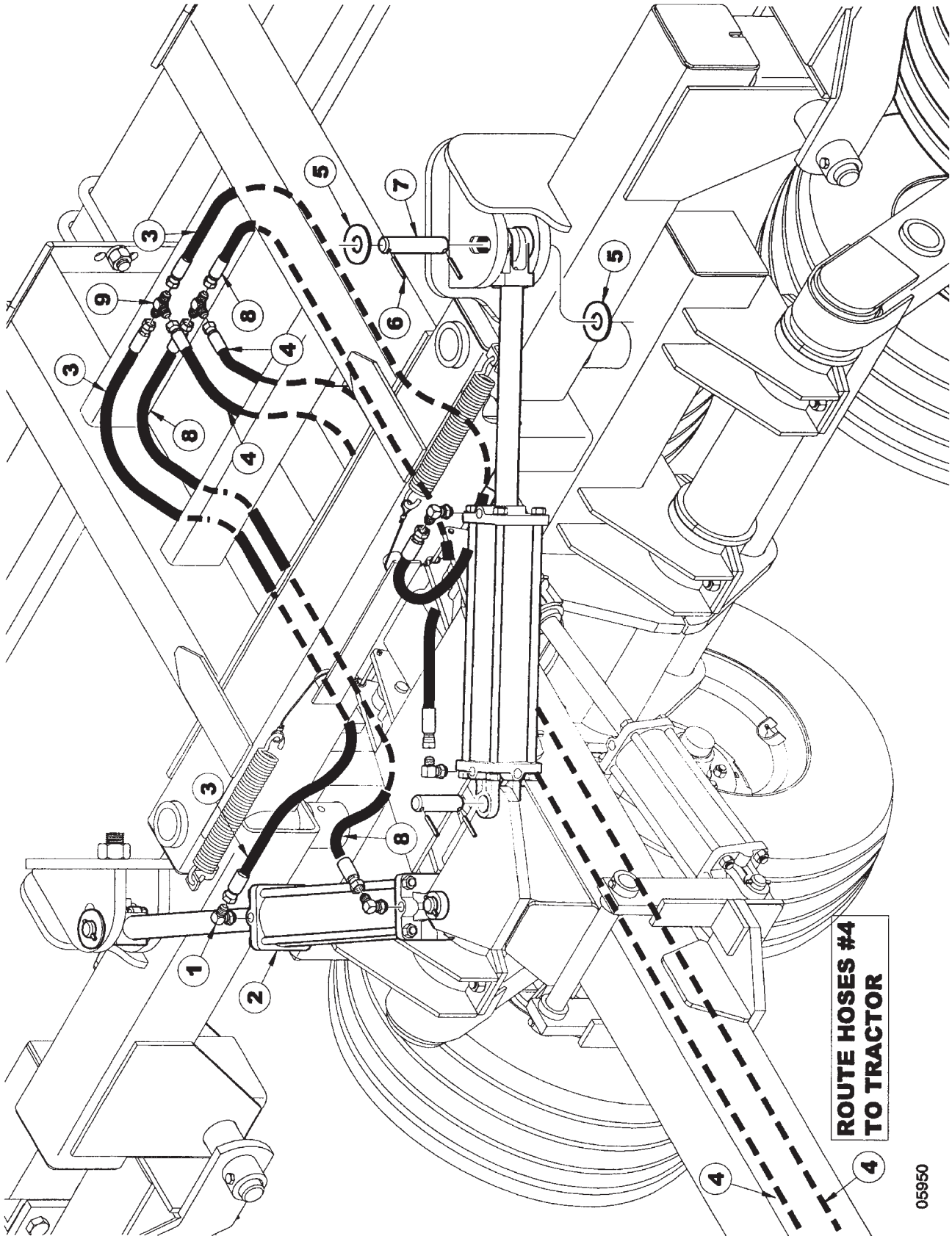


ITEM	NUMBER	QTY	DESCRIPTION
1	SN3253		HYDRAULIC COUPLER, MALE HALF
2	SN2425		MALE CONNECTOR, 3/4"-16 MF X 1/2-14 MPT
3	SN5302		PIPE CLAMP, 3/8" BOLT HOLE
4	SN4200002		HOSE, 3/8" X 200" L, FEMALE ENDS
5	SN2487		HEX BOLT, 3/8"-16 X 2 1/2", GR 5, Y/D
6	SN4118003		HOSE, 3/8" X 118" L, M/F ENDS
	SN4191003		HOSE, 3/8" X 191" L, M/F ENDS

WARNING
THESE PARTS ARE IMPORTANT TO THE SAFETY OF THIS EQUIPMENT AND THOSE WHO OPERATE IT. USE ONLY EXACT REPLACEMENT PARTS TO PREVENT HYDRAULIC FAILURE. BEFORE REPLACING THESE PARTS, REVIEW AND FOLLOW THE INSTRUCTIONS IN THE SAFETY AND OPERATING SECTIONS OF THIS MANUAL.

I0005671
PR: t05g30m59a0019

CENTER FRAME FOLD HYDRAULICS



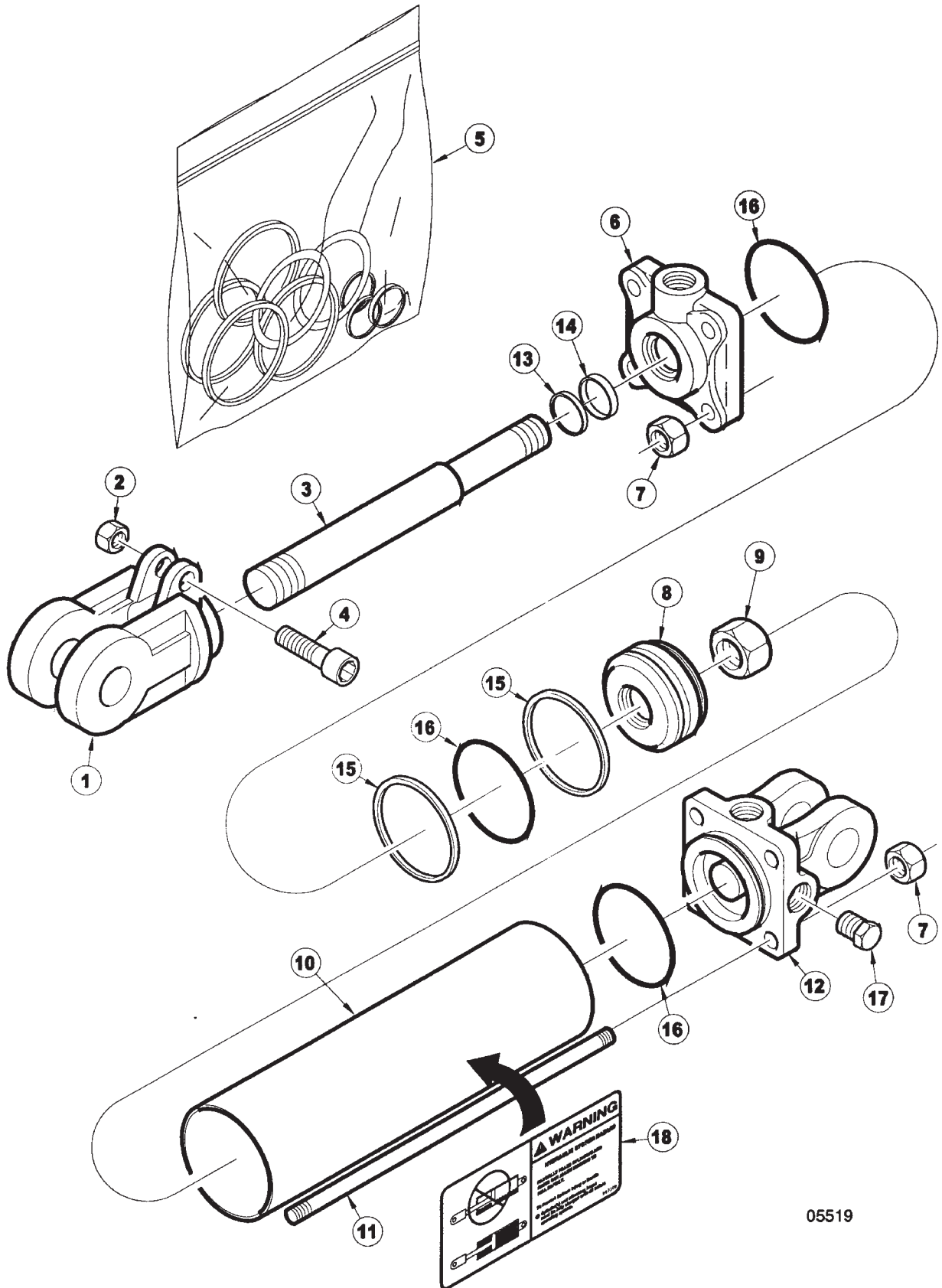
CENTER FRAME FOLD HYDRAULICS

ITEM	NUMBER	QTY	DESCRIPTION
1	SN4466		90 DEG STR THD ELBOW, 3/4"-16 MF
2	SN9725		CYLINDER, 4" X 16" W/8618-1 CLEVIS
3	SN4072002		HOSE, 3/8" X 72" L, FEMALE ENDS
4	SN4200002		HOSE, 3/8" X 200" L, FEMALE ENDS
5	SNFK150172		FLAT WASHER, 1 1/4" SAE, Y/D
6	SN3164		ROLL PIN, 5/16" X 2" SPIRAL MEDIUM DUTY, Y/D
7	SN9910		PIN, 1 1/4" X 6 3/8"
8	SN4060002		HOSE, 3/8" X 60" L, FEMALE ENDS
9	SN2429		UNION TEE, 3/4"-16 MF

WARNING
THESE PARTS ARE IMPORTANT TO THE SAFETY
OF THIS EQUIPMENT AND THOSE WHO OPERATE
IT. USE ONLY EXACT REPLACEMENT PARTS TO
PREVENT HYDRAULIC FAILURE. BEFORE
REPLACING THESE PARTS, REVIEW AND
FOLLOW THE INSTRUCTIONS IN THE SAFETY
AND OPERATING SECTIONS OF THIS MANUAL.

I0005950
PR: t05g30m59a0020

4" X 16" HYDRAULIC CYLINDER (9725R)



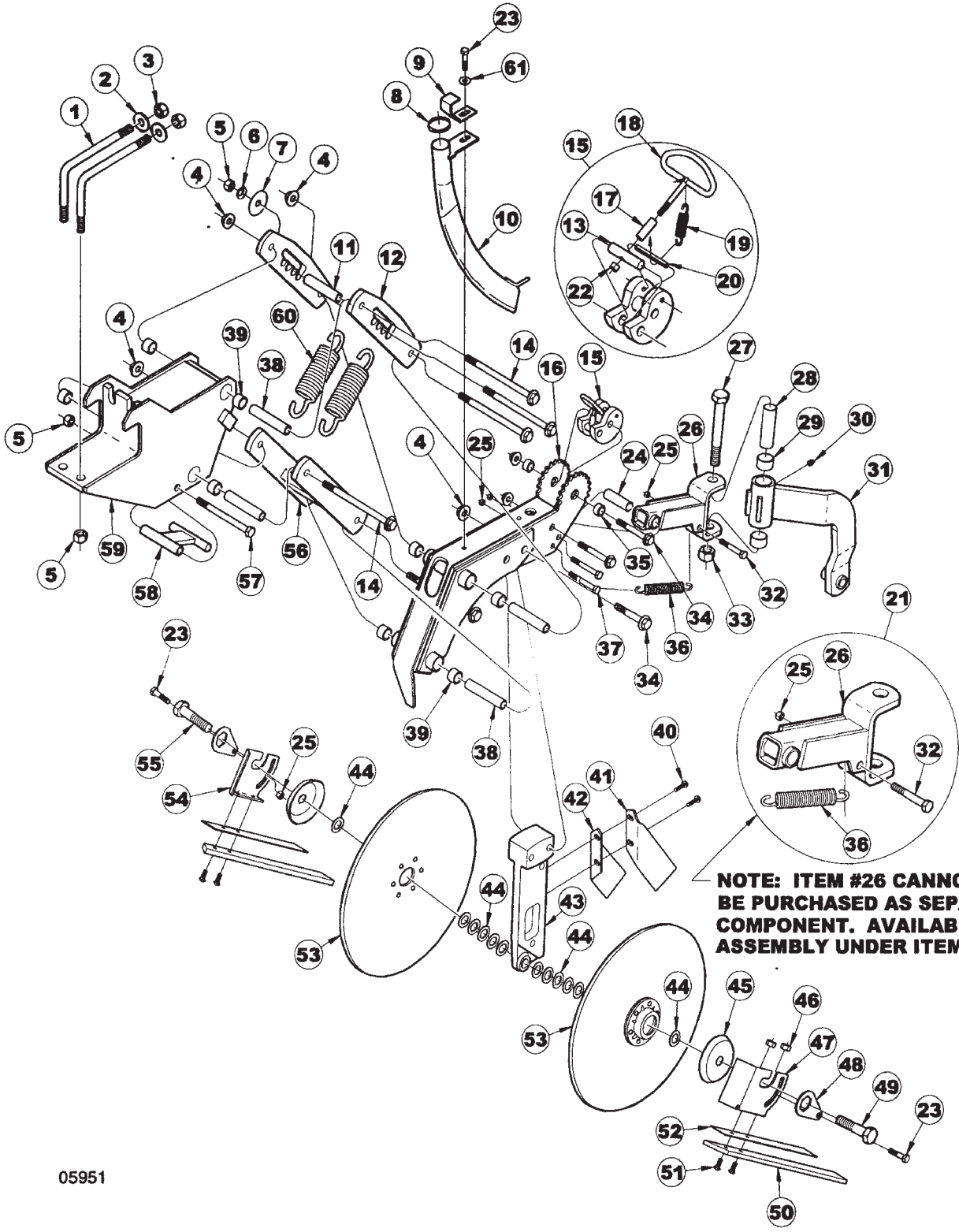
4" X 16" HYDRAULIC CYLINDER (9725R)

ITEM	NUMBER	QTY	DESCRIPTION
1	SN8618-1		CLEVIS, 1 1/4" THREADS, 1 1/4" PIN W/BUSHING, CROSS
2	SN8671-1		CAPSCREW NUT, 5/16" THREADS CROSS
3	SN8877-1		ROD, 1 1/2" DIA, 16" CROSS
4	SN8631-1		CAPSCREW, CROSS
5	SN8789-1		SEAL KIT, 4", 1 1/2" ROD REPHASING CROSS
6	SN8744-10		HEAD, 4", 1 1/2" ROD, CROSS (ORB)
7	SN8864-1		TIE ROD NUT, 5/8" THREADS
8	SN8713-1		PISTON, 4" W/1" HOLE CROSS
9	SN8681-1		PISTON NUT, 3/4" CROSS
10	SN8833-1		TUBE, 4" X 16" CROSS
11	SN8854-1		TIE ROD BOLT, 4" X 16" CROSS
12	SN8692-10		BASE, 4" (ORB), 1 1/4" PIN CROSS
13			* WIPER
14			* U-CUP
15			* BACKUP
16			* O-RING
17	SN4458		PLUG, 3/4"-16 MOR
18	SN997309		HYDRAULIC SYSTEM HAZARD

NOTE: AVAILABLE IN THE SEAL KIT ONLY

I0005519
PR: t05g30m59a0021

ALL PURPOSE HEADS UP OPENER



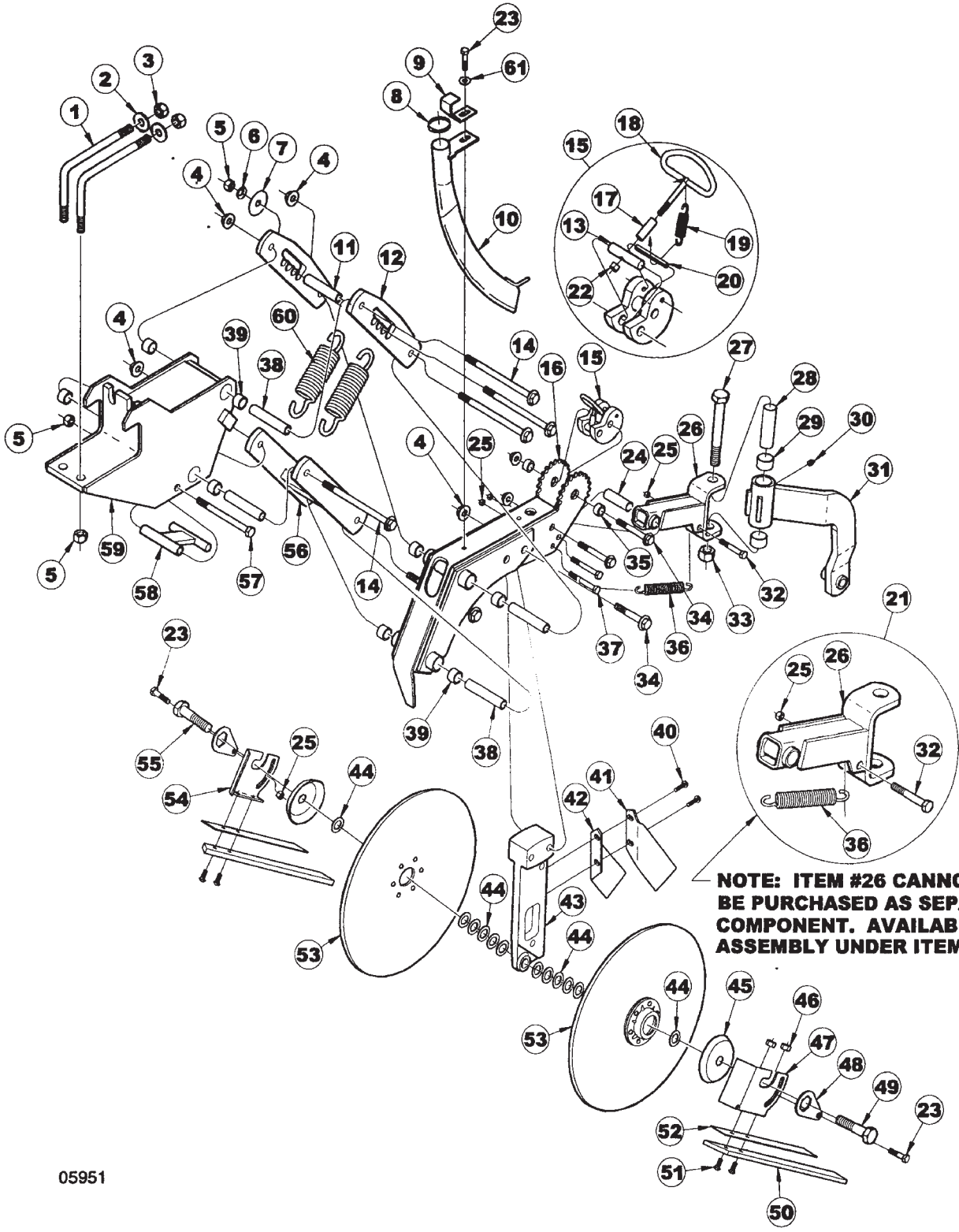
NOTE: ITEM #26 CANNOT BE PURCHASED AS SEPARATE COMPONENT. AVAILABLE AS ASSEMBLY UNDER ITEM #21.

ITEM	NUMBER	QTY	DESCRIPTION
1	SN7024		L-BOLT, 5/8-11 X 4 5/8 X 6 5/8, Y/D
2	SNFK150283		FLAT WASHER, 5/8" SAE, Y/D
3	SN669-1		LOCK NUT, 5/8" HEX NYLON
4	SN9683		1/2-13 FLANGE TOPLOCK NUT GR G CAD/WAX
5	SN2096		LOCK NUT, 1/2"-13 HEX NYLON INSERT
6	SN6618		WASHER, .531"ID X .813"OD, .129" CROWN
7	SN6619		WASHER, .531" ID X 2.000" OD X .058" THICK, Y/D
8	SNN11470		HOSE CLAMP
9	SN10157		BRACKET, HOSE HOLDER
10	SN9937		SEED TUBE, ALL PURPOSE HEADS UP
11	SN7033B		SPACER TUBE, 4 1/2" L,
12	SN7032		PARALLEL LINKAGE, 11" TOP, ALL PURPOSE
13	SN7084		DEPTH LOCK PIN, Y/D
14	SN9680		HHFS 1/2"-13 X 6 1/2" GR5 Y/D
15	SN9102		DEPTH CAM ASSY, ALL PURPOSE
16	SN7034B		OPENER FRAME, ALL PURPOSE
17	SN7085		SPACER, DEPTH LOCK, Y/D
18	SN7040		DEPTH LOCK, ALL PURPOSE, Y/D
19	SN7083		SPRING, .500" OD X .375" ID, 1 1/2" L EXTENSION
20	SN6440		ROLL PIN, 1/4" X 1 3/4" MEDIUM DUTY, Y/D
21	SN10333		PRESS WHEEL FRAME SWIVEL, W/SPRING,
22	SN3881		LOCK NUT, 1/4"-20 HEX NYLON INSERT,
23	SN1193		HEX BOLT, 3/8"-16 X 3/4", GR 5, Y/D
24	SN7042		CLAMP BUSHING, .750" OD X .532" ID, .109 W, 2 5/64" L
25	SN3567		LOCK NUT, 3/8"-16 HEX NYLON INSERT, GR 2, Y/D
26	SN7041		PRESS WHEEL FRAME, SWIVEL, ALL PURPOSE
27	SN1021		HEX BOLT, 3/4"-10 X 5 1/2", GR 5, Y/D
28	SN7043		CLAMP BUSHING, 1" OD X .760"ID, .120" W, 3 5/8" L
29	SN5934		BUSHING, 1 1/4" OD X 1" ID, 5/8" L (HARD) SPRING
30	SN2098-1		GREASE ZERK, 1/8" NPTF, 5/8" L
31	SN7044B		PRESS WHEEL FRAME, REAR, ALL PURPOSE
32	SN2487		HEX BOLT, 3/8"-16 X 2 1/2", GR 5, Y/D
33	SNHEN3410		LOCK NUT, 3/4" HEX NYLON
34	SN9682		HHFS 1/2"-13 X 3 3/4" GR5 Y/D
35	SN7034		BUSHING, DEPTH CONTROL, 1/2"
36	SN9708		SPRING, .162" WIRE DIA X 5" L EXTENS
37	SN3806		HEX BOLT, 3/8"-16 X 3", GR 5, Y/D
38	SN7029		CLAMP BUSHING, 4 21/32"
39	SN5935		BUSHING, 1" OD X 3/4" ID, 5/8" L (HARD) SPRING
40	SN10463		BOLT, HEX FLG, 5/16-18 X 3/4 GR5, Y/D
41	SN10127		SCRAPER, OPENER LEFT
42	SN10126		SCRAPER, OPENER RIGHT
43	SN9780		OPENER BAR, ALL PURPOSE, HEADS UP
44	SNDR80011		WASHER, MACHINE
45	SNB1127		DUST CAP
46	SN6378		LOCK NUT, 5/16" HEX NYLON
47	SN7205		MOUNTING BRACKET, SOIL CONTROL DEVIC
48	SN7203		LOCKING ARM
49	SNDR81044		HEX BOLT, 3/4"-10 LH X 2", GR 5, Y/D

CONTINUED

I0005951
PR: t05g30m59a0022

ALL PURPOSE HEADS UP OPENER



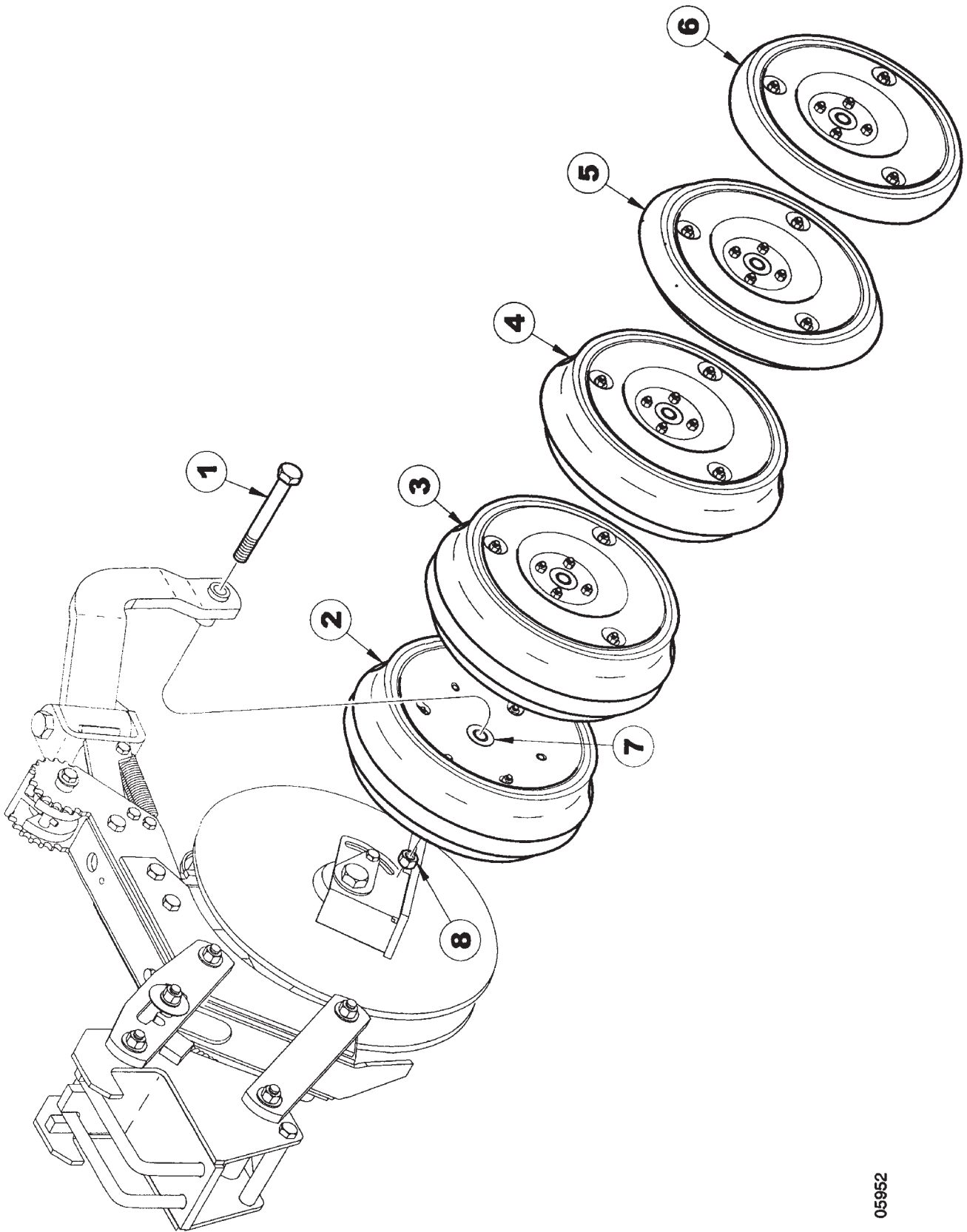
NOTE: ITEM #26 CANNOT BE PURCHASED AS SEPARATE COMPONENT. AVAILABLE AS ASSEMBLY UNDER ITEM #21.

ALL PURPOSE HEADS UP OPENER

ITEM	NUMBER	QTY	DESCRIPTION
50	SN7201		SOIL CONTROL STRIP
51	SN6376		CARRIAGE BOLT, 5/16"-18 X 1" GR 5, Y/D
52	SN7859		SUPPORT, SOIL CONTROL STRIP
53	SN9753		OPENER BLADE & BRG ASSEMBLY, HEADS UP
54	SN7204		MOUNTING BRACKET, SOIL CONTROL DEVIC
55	SN1220		HEX BOLT, 3/4"-10 X 2", GR 5 Y/D
56	SN10542		PARALLEL LINKAGE, 11" LOWER, ALL PURPOSE
57	SN840		HEX BOLT, 1/2"-13 X 5 1/2", GR 5, Y/D
58	SN7030		SPRING ANCHOR, ALL PURPOSE
59	SN7028		OPENER MOUNT, LONG, ALL
	SN7027		OPENER MOUNT, SHORT, ALL
60	SN7026		SPRING, 1.6875" OD X 1.1635" ID, 7 5/16" L, EXTENSION BLACK
61	SN317		FLAT WASHER, 3/8", Y/D
	SN7266		SOIL CONTROL DEVICE ASSY
	SN9879		ALL PURPOSE OPENER ASSEMBLY, HEADS UP, SHORT(ALL ABOVE PARTS BUT 8-9)
	SN9880		ALL PURPOSE OPENER ASSEMBLY, HEADS UP, LONG(ALL ABOVE PARTS BUT 8-9)

I0005951
PR: t05g30m59a0022

ALL PURPOSE HEADS UP OPENER PRESS WHEEL
ASSEMBLY



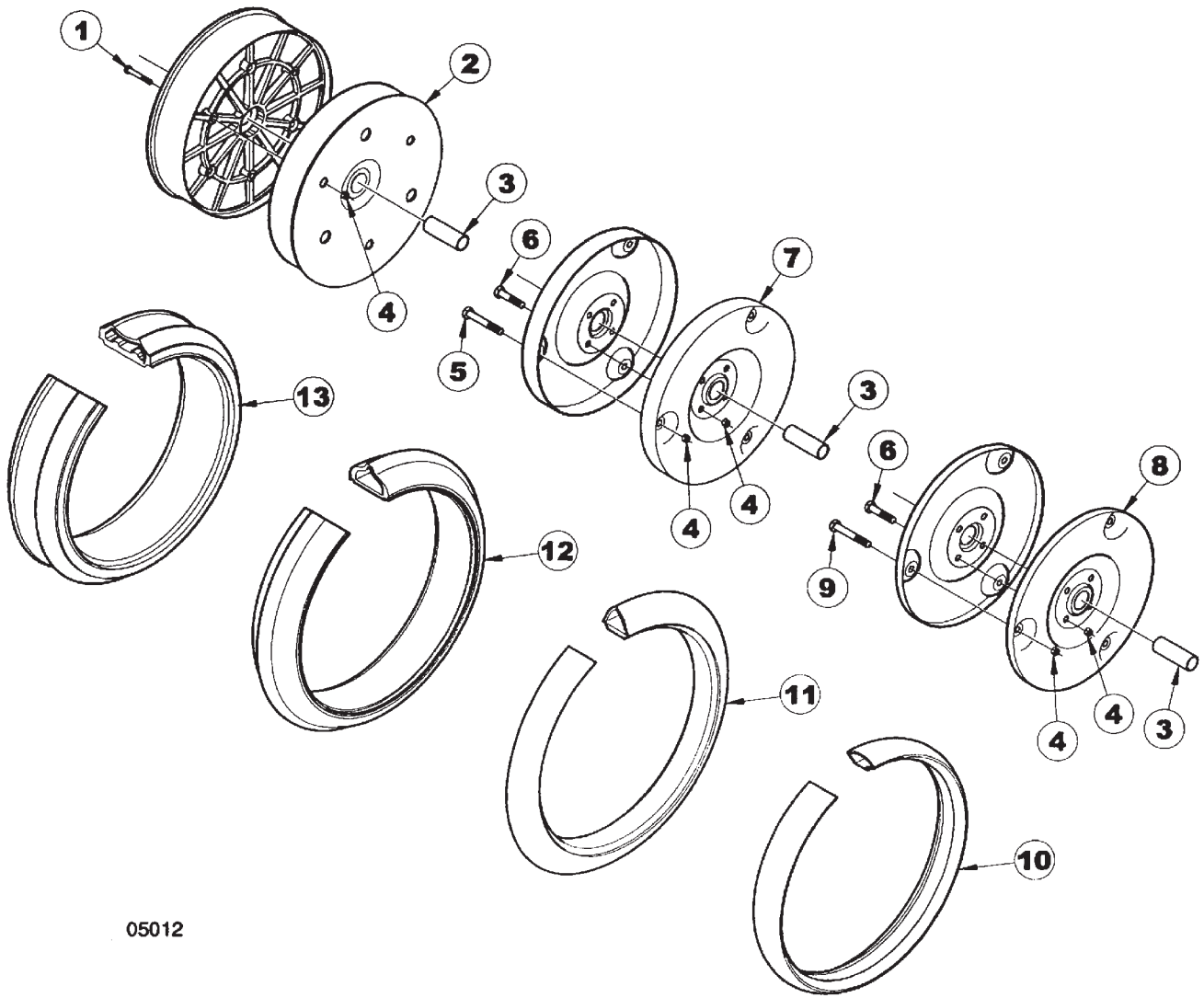
SERVICE PARTS

ALL PURPOSE HEADS UP OPENER PRESS WHEEL
ASSEMBLY

ITEM	NUMBER	QTY	DESCRIPTION
1	SN2557		HEX BOLT, 5/8"-11 X 4 1/2", GR 5, Y/D
2	SN6869		PRESS WHEEL ASSY, 4" X 12" DOUBLE RIB NYLON RIM
3	SN7375		PRESS WHEEL ASSY, 3" X 13" DOUBLE RIB STEEL RIM
4	SN6866		PRESS WHEEL ASSY, 3" X 13" CENTER RIB STEEL RIM
5	SN6868		PRESS WHEEL ASSY, 2" X 13" V-CROWN STEEL RIM
6	SN6867		PRESS WHEEL ASSY, 2" X 13" SMOOTH CROWN STEEL RIM
7	SN7218		BEARING, 40MM
8	SN669-1		LOCK NUT, 5/8" HEX NYLON

I0005952
PR: t05g30m59a0023

PRESS WHEEL & TIRE ASSEMBLY



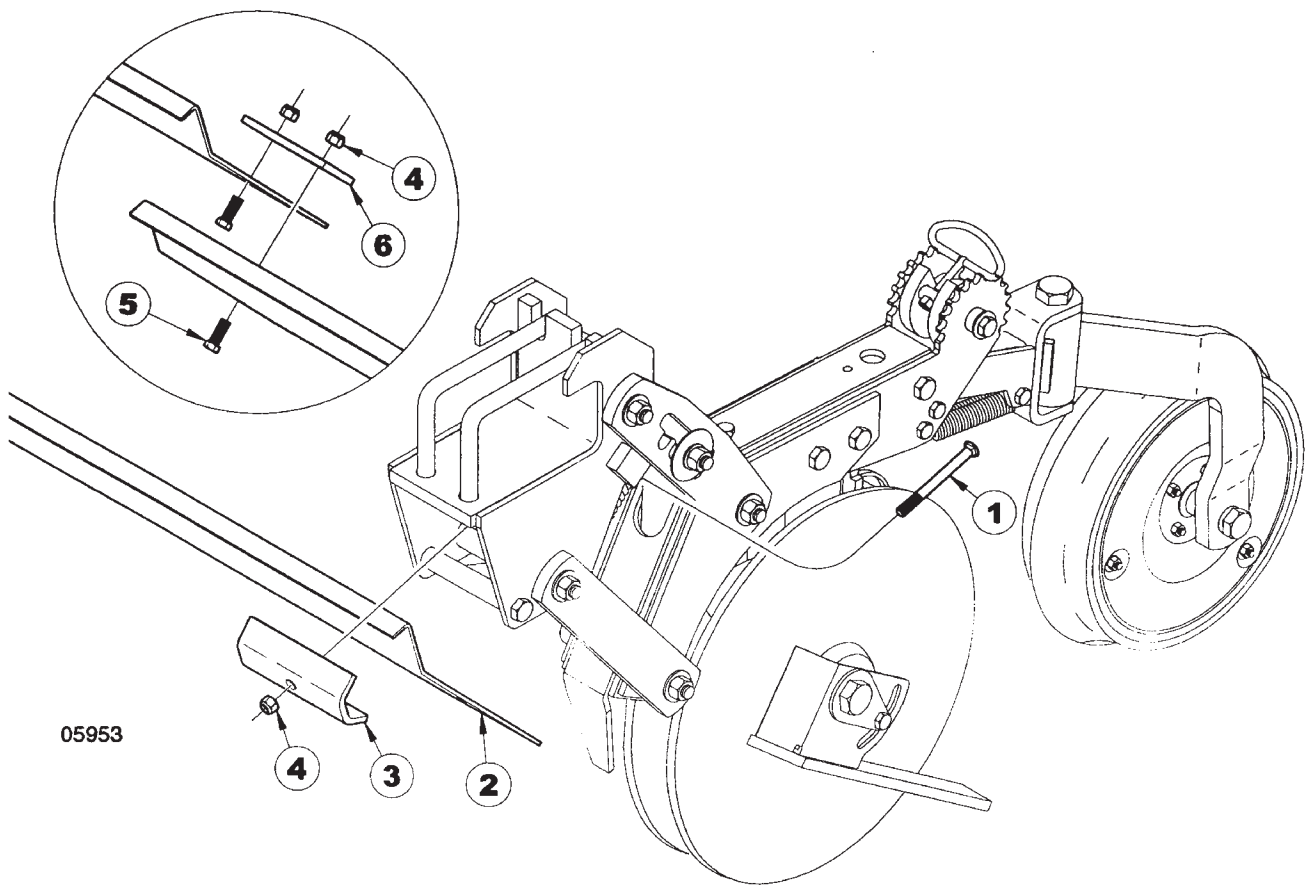
05012

PRESS WHEEL & TIRE ASSEMBLY

ITEM	NUMBER	QTY	DESCRIPTION
1	SN7416		HEX BOLT, 1/4"-20 X 2", GR 5, Y/D
2	SN9109		RIM, 4" X 12" NYLON HALF F/40 MM BRG
3	SN7218		BEARING, 40MM
4	SN3881		LOCK NUT, 1/4"-20 HEX NYLON INSERT, GR 2, Y/D
5	SN2487		HEX BOLT, 3/8"-16 X 2 1/2", GR 5, Y/D
6	SN7415		HEX BOLT, 3/8"-16 X 1 3/8" GR 5, Y/D
7	SN7412		RIM, 3" X 13" 13 GA CLINCHER HALF
8	SN7413		RIM, 2" X 13" 13 GA CLINCHER HALF FOR 40MM
9	SN175		HEX BOLT, 3/8"-16 X 1 1/2", GR 5, Y/D
10	SN7411		TIRE, 2" X 13" SMOOTH CROWN CLINCHER
11	SN7409		TIRE, 2" X 13" V-CROWN
12	SN7410		TIRE, 3" X 13" CENTER RIB
13	SN7408		TIRE, 4" X 12" DOUBLE RIB

I0005012
PR: t05g30m59a0024

OPENER SHIELD ASSEMBLY



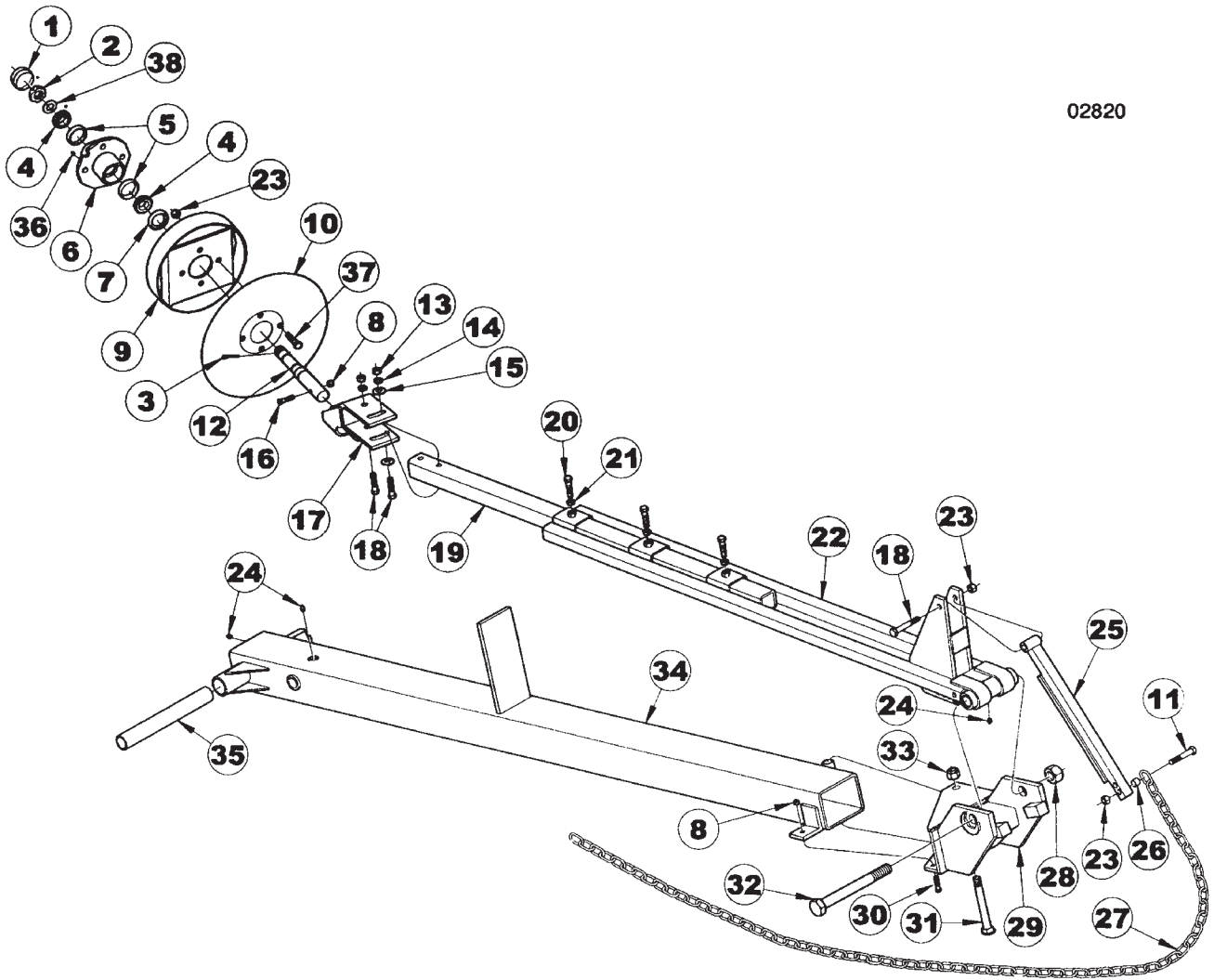
OPENER SHIELD ASSEMBLY

ITEM	NUMBER	QTY	DESCRIPTION
1	SN6682		CARRIAGE BOLT, 3/8"-16 X
2	SN7223		OPENER SHIELD, 5' (30' & 40' DRILL)
	SN7224		OPENER SHIELD, 7.5' (40' DRILL)
3	SN7221		MOUNTING CLIP
4	SN3567		LOCK NUT, 3/8"-16 HEX NYLON INSERT, GR 2, Y/D
5	SN178		HEX BOLT, 3/8"-16 X 1", GR 5, Y/D
6	SN7222		TIE STRAP
	SN7229		OPENER SHIELD ASSY, 30' DRILL
	SN7230		OPENER SHIELD ASSY, 40' DRILL

I0005953
PR: t05g30m59a0025

ROW MARKER ASSEMBLY

02820

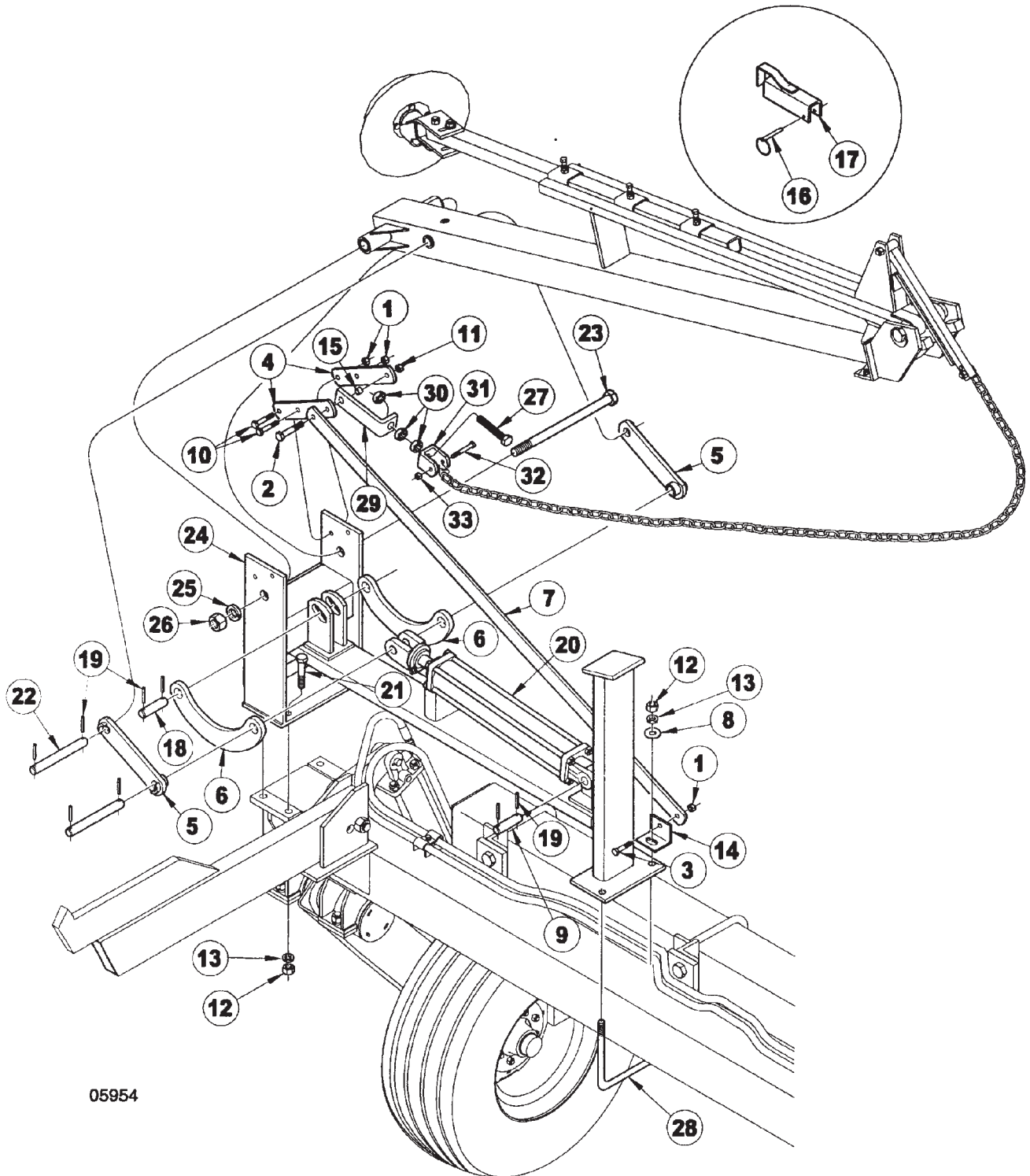


ROW MARKER ASSEMBLY

ITEM	NUMBER	QTY	DESCRIPTION
1	SN7779		DUST CAP, 1.986" OD X .032" TH Y/D
2	SN7778		HEX NUT, 1"-14 SLOTTED .531" TH GR 2, PLAIN
3	SN1609		COTTER PIN, 3/16" X 1 1/2"
4	SN776		BEARING (L44643)
5	SN777		RACE (L44610)
6	SN7780		FOUR BOLT HUB W/CUPS & ZERK
7	SN7775		SEAL, SINGLE LIP (SL-123)
8	SN3567		LOCK NUT, 3/8"-16 HEX NYLON INSERT, GR 2, Y/D
9	SN7781		MARKER ARM DEPTH BAND
10	SN7773		14" BLADE, 4 BOLT, .138" THICK .78" CONCAVITY
11	SN112		HEX BOLT, 1/2"-13 X 2 1/2", GR 5, Y/D
12	SN7825		SPINDLE, 1 1/4" X 8 5/8"(1"-14 UNS THD)
13	SN114		HEX NUT, 1/2"-13 FULL, GR 2, Y/D
14	SN113		LOCK WASHER, 1/2" SPLIT TYPE MED, Y/D
15	SN486		FLAT WASHER, 1/2", Y/D
16	SN2487		HEX BOLT, 3/8"-16 X 2 1/2", GR 5, Y/D
17	SN7782		HUB BRACKET
18	SN1507		HEX BOLT, 1/2"-13 X 3 1/2", GR 5, Y/D
19	SNB2632		EXTENSION ARM, 48"L
20	SN2045		HEX BOLT, 1/2"-13 X 1 3/4", GR5, Y/D
21	SN159		JAM NUT, 1/2"-13, GR 2, Y/D
22	SN6646		MARKER ARM, 30' OUTER
	SN6815		MARKER ARM, 40' OUTER
23	SN2096		LOCK NUT, 1/2"-13 HEX NYLON INSERT
24	SN2098-1		GREASE ZERK, 1/8" NPTF, 5/8" L
25	SN7755		MARKER LINKAGE ARM, OUTER
26	SN7667		SPACER, .750"OD X .532"ID, 3/8"L
27	SN7445		CHAIN, 5/16" PROOF, 78 3/4" L
	SN7446		CHAIN, 5/16" PROOF, 109 1/8" L
28	SN3938		LOCK NUT, 1"-8 HEX NYLON
29	SN7752		MARKER PIVOT HEAD, RIGHT
	SN7753		MARKER PIVOT HEAD, LEFT
30	SN175		HEX BOLT, 3/8"-16 X 1 1/2", GR 5, Y/D
31	SN7754		CARRIAGE BOLT, 3/4"-10 X 6", GR 5, Y/D
32	SN2316		HEX BOLT, 1"-8 X 8 1/2", GR 5, Y/D
33	SNHEN3410		LOCK NUT, 3/4" HEX NYLON INSERT, GR 5,
34	SN7748		MARKER ARM, 30' INNER RIGHT
	SN7749		MARKER ARM, 30' INNER LEFT
	SN7750		MARKER ARM, 40' INNER RIGHT
	SN7751		MARKER ARM, 40' INNER LEFT
35	SN6652		BUSHING, 1.500" OD X 1.156" ID 11 7/16" L
36	SN2098-6		GREASE ZERK, 1/4"-28, 17/32" L
37	SN2045		HEX BOLT, 1/2"-13 X 1 3/4", GR5, Y/D
38	SN3303		WASHER, 1 1/32" ID X 1 3/4" ODX 1/8" THICK, PLAIN

I0002820
PR: t05g30m59a0026

ROW MARKER MOUNT ASSEMBLY

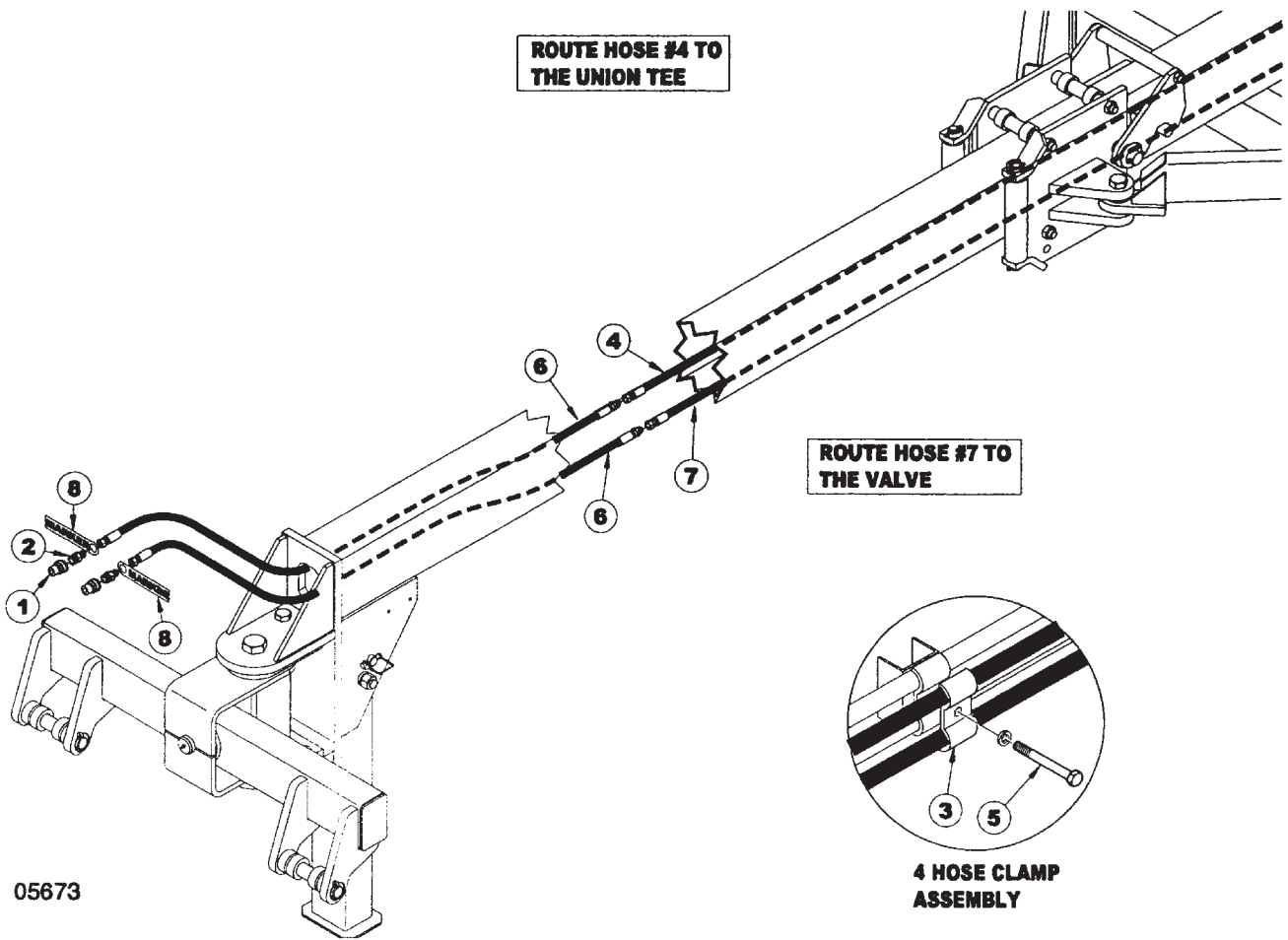


05954

ITEM	NUMBER	QTY	DESCRIPTION
1	SN2096		LOCK NUT, 1/2"-13 HEX NYLON INSERT
2	SN3758		HEX BOLT, 5/8"-11 X 3", GR 5, Y/D
3	SN330		HEX BOLT, 1/2"-13 X 2" GR 5, Y/D
4	SN7450		MARKER LINKAGE ARM, 12" L
5	SN6651		FOLD LINK, 30' & 40' MARKER
6	SN6649		MARKER LINKAGE, CURVED
	SN5934		BUSHING, 1 1/4" OD X 1" ID, 5/8" L (HARD) SPRING
7	SN7448		MARKER LINKAGE ARM, 50 3/8" L
8	SN893		FLAT WASHER, 3/4" Y/D
9	SN5339		PIN, 1" X 4 1/16" (3"), Y/D
10	SN112		HEX BOLT, 1/2"-13 X 2 1/2", GR 5, Y/D
11	SN669-1		LOCK NUT, 5/8" HEX NYLON
12	SN106		HEX NUT, 3/4"-10 FULL, GR 5, Y/D
13	SN1040		LOCK WASHER, 3/4" SPLIT TYPE MED, Y/D
14	SN6656		MARKER LINKAGE MOUNT
15	SN7449		BUSHING, CLAMP
16	SN5201		BALL LOCK PIN, 3/8" X 3"
17	SN6676		CYLINDER STOP, MARKER
18	SN5502		PIN, 1" X 5 1/16" (4") Y/D
19	SN3164		ROLL PIN, 5/16" X 2" SPIRAL MEDIUM DUTY, Y/D
20	SN6633		CYLINDER, 3" X 20" (30 1/4" CPC) ORB
21	SN1122		HEX BOLT, 3/4"-10 X 2 1/2", GR 5, Y/D
22	SN6643		PIN, 1" X 8" (6 11/16"), Y/D
23	SN5230		HEX BOLT, 1 1/8"-7 X 14 1/2", Y/D
24	SN7772		MARKER MOUNT, 30' & 40'
25	SN2561		LOCK WASHER, 1 1/8" SPLIT TYPE MED, Y/D
26	SN1300		HEX NUT, 1 1/8"-7 FULL, GR 2, Y/D
27	SN7789		HEX BOLT, 3/4"-10 X 4" FULL THD, GR 5, Y/D
28	SNDR80019		U-BOLT, 3/4"-10 X 8 3/4" X 7 13/16" W, GR 5, Y/D
29	SN7451		MARKER CHAIN PIVOT, RIGHT
	SN7452		MARKER CHAIN PIVOT, LEFT
30	SN1243		JAM NUT, 3/4"-10 HEX, GR 2, Y/D
31	SN7788		CLEVIS
32	SN6282		HEX BOLT, 7/16"-14 X 3", GR 5, Y/D
33	SNDR10524		LOCK NUT, 7/16"-14 HEX NYLON INSERT, Y/D

I0005954
PR: t05g30m59a0027

ROW MARKER HYDRAULICS ON MAIN FRAME

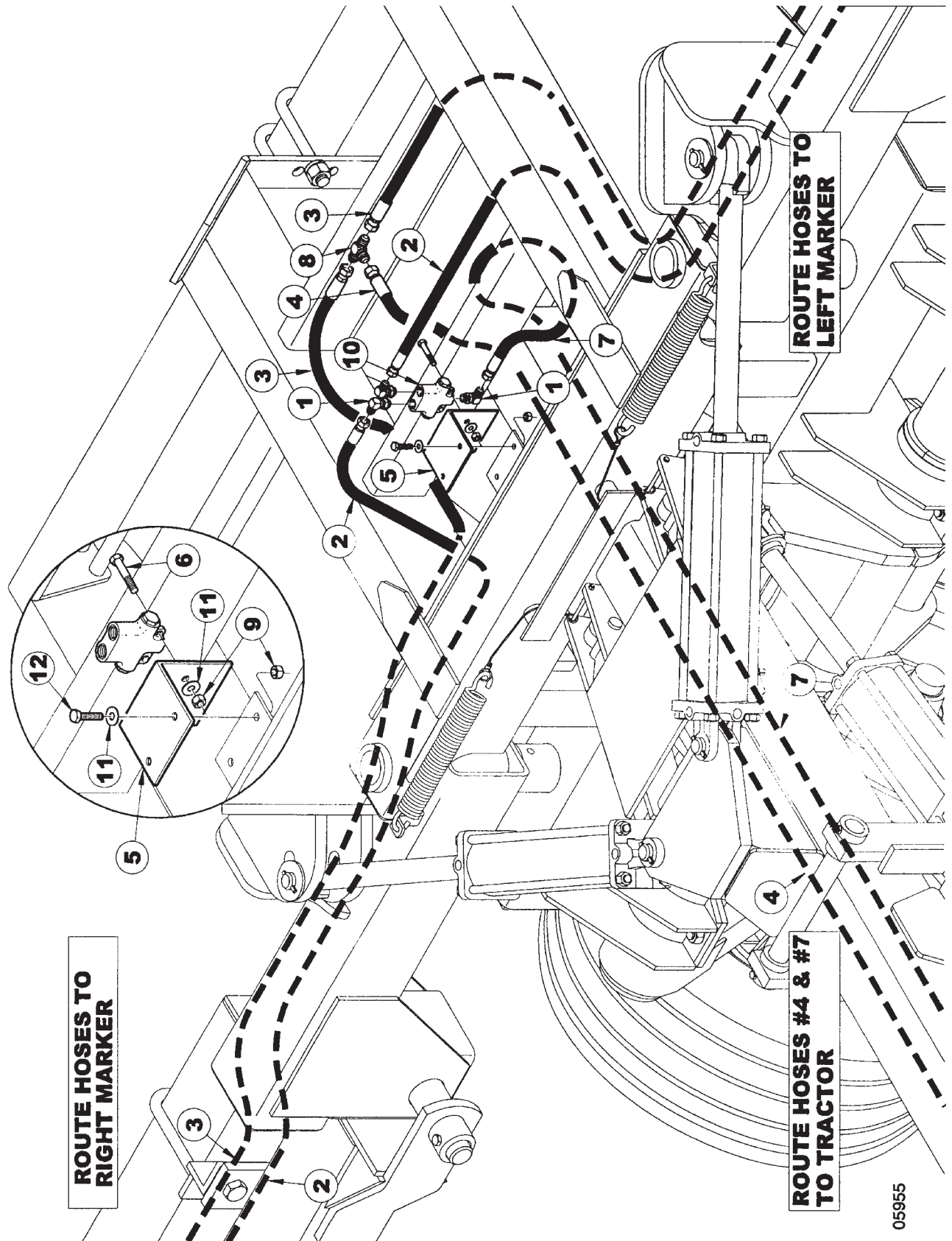


ROW MARKER HYDRAULICS ON MAIN FRAME

ITEM	NUMBER	QTY	DESCRIPTION
1	SN3253		HYDRAULIC COUPLER, MALE HALF
2	SN6177		MALE CONNECTOR, 9/16"-18 MF X 1/2-14 MPT
3	SN5302		PIPE CLAMP, 3/8" BOLT HOLE
4	SN4200011		HOSE, 1/4" X 200" L, 9/16"-18 F/ENDS (30' & 40')
5	SN2487		HEX BOLT, 3/8"-16 X 2 1/2", GR 5, Y/D
6	SN4112012		HOSE, 1/4" X 112"L, 9/16"-18 M/F ENDS
	SN4185012		HOSE, 1/4" X 185"L, 9/16"-18 M/F ENDS
7	SN4234011		HOSE, 1/4" X 234" L, 9/16"-18 F/ENDS (30' & 40')
			WARNING
			THESE PARTS ARE IMPORTANT TO THE SAFETY OF THIS EQUIPMENT AND THOSE WHO OPERATE IT. USE ONLY EXACT REPLACEMENT PARTS TO PREVENT HYDRAULIC FAILURE. BEFORE REPLACING THESE PARTS, REVIEW AND FOLLOW THE INSTRUCTIONS IN THE SAFETY AND OPERATING SECTIONS OF THIS MANUAL.

I0005673
PR: t05g30m59a0028

ROW MARKER HYDRAULICS ON THE CENTER
FRAME



ROUTE HOSES TO
RIGHT MARKER

ROUTE HOSES #4 & #7
TO TRACTOR

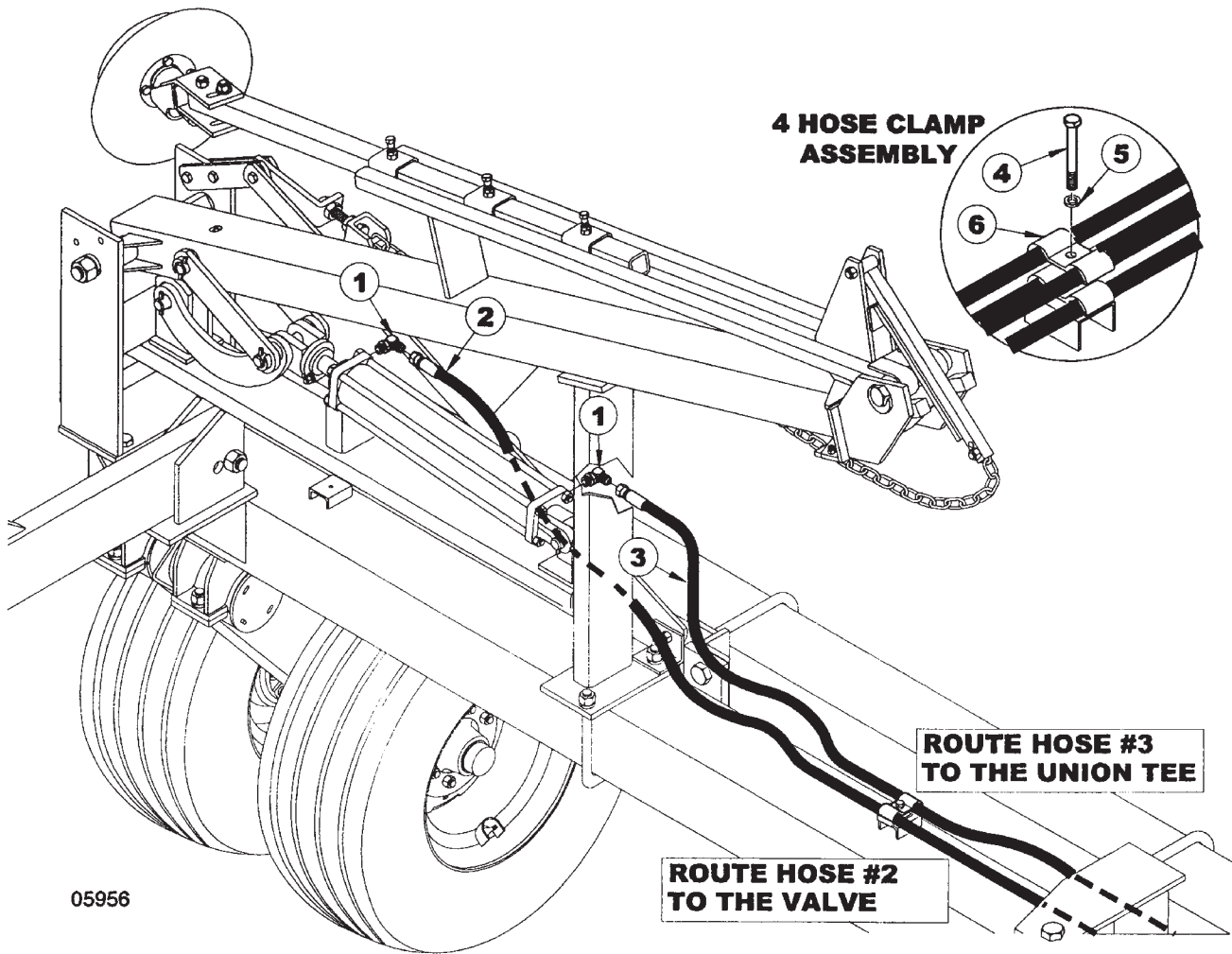
ROW MARKER HYDRAULICS ON THE CENTER
FRAME

ITEM	NUMBER	QTY	DESCRIPTION
1	SN6935		90 DEG STR THD ELBOW, 9/16"-18 MF X 3/4"-16 MOR
2	SN4200011		HOSE, 1/4" X 200" L, 9/16"-18 F/ENDS (30)
	SN4263011		HOSE, 1/4" X 263" L, 9/16"-18 F/ENDS (40)
3	SN4178011		HOSE, 1/4" X 178" L, 9/16"-18 F/ENDS (30)
	SN4240011		HOSE, 1/4" X 240" L, 9/16"-18 F/ENDS (40)
4	SN4200011		HOSE, 1/4" X 200" L, 9/16"-18 F/ENDS (30' & 40')
5	SNB1141		VALVE MOUNT
6	SN474		HEX BOLT, 3/8"-16 X 2", GR 5 Y/D
7	SN4234011		HOSE, 1/4" X 234" L, 9/16"-18 F/ENDS
8	SN7077		UNION TEE, 9/16"-18 MF
9	SN3567		LOCK NUT, 3/8"-16 HEX NYLON INSERT, GR 2, Y/D
10	SNDR56006		VALVE, 3/4-16 OR SEQUENCE
11	SN317		FLAT WASHER, 3/8", Y/D
12	SN178		HEX BOLT, 3/8"-16 X 1", GR 5, Y/D

WARNING
THESE PARTS ARE IMPORTANT TO THE SAFETY
OF THIS EQUIPMENT AND THOSE WHO OPERATE
IT. USE ONLY EXACT REPLACEMENT PARTS TO
PREVENT HYDRAULIC FAILURE. BEFORE
REPLACING THESE PARTS, REVIEW AND
FOLLOW THE INSTRUCTIONS IN THE SAFETY
AND OPERATING SECTIONS OF THIS MANUAL.

I0005955
PR: t05g30m59a0029

WING FRAME ROW MARKER HYDRAULICS



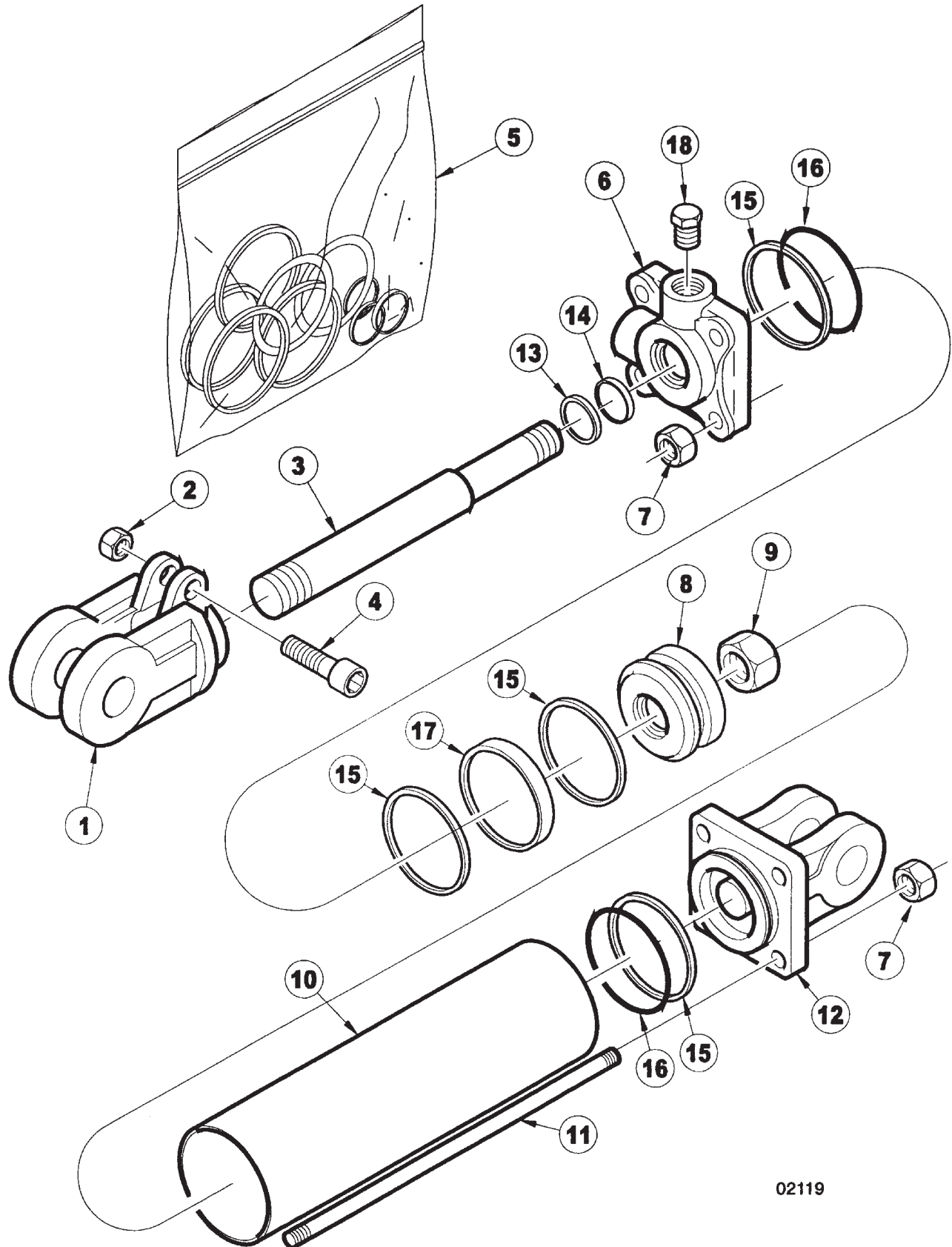
WING FRAME ROW MARKER HYDRAULICS

ITEM	NUMBER	QTY	DESCRIPTION
1	SN6935		90 DEG STR THD ELBOW, 9/16"-18 MF X 3/4"-16 MOR
2	SN4200011		HOSE, 1/4" X 200" L, 9/16"-18 F/ENDS (30)
	SN4263011		HOSE, 1/4" X 263" L, 9/16"-18 F/ENDS (40)
3	SN4178011		HOSE, 1/4" X 178" L, 9/16"-18 F/ENDS (30)
	SN4240011		HOSE, 1/4" X 240" L, 9/16"-18 F/ENDS (40)
4	SN2487		HEX BOLT, 3/8"-16 X 2 1/2", GR 5, Y/D
5	SN176		LOCK WASHER, 3/8" SPLIT TYPE MED, Y/D
6	SN5302		PIPE CLAMP, 3/8" BOLT HOLE

WARNING
THESE PARTS ARE IMPORTANT TO THE SAFETY
OF THIS EQUIPMENT AND THOSE WHO OPERATE
IT. USE ONLY EXACT REPLACEMENT PARTS TO
PREVENT HYDRAULIC FAILURE. BEFORE
REPLACING THESE PARTS, REVIEW AND
FOLLOW THE INSTRUCTIONS IN THE SAFETY
AND OPERATING SECTIONS OF THIS MANUAL.

I0005956
PR: t05g30m59a0030

3" X 20" HYDRAULIC CYLINDER (6633R)



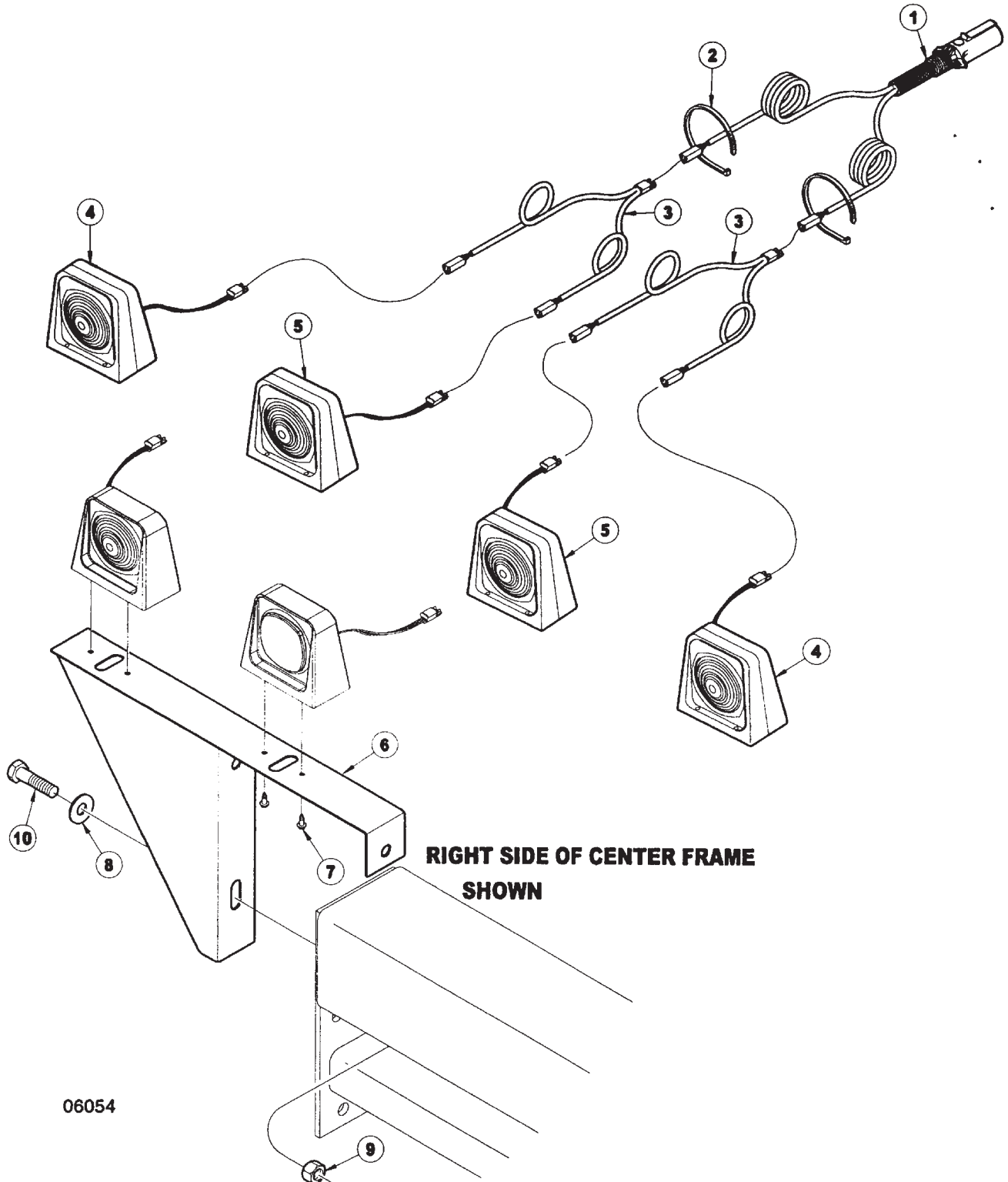
3" X 20" HYDRAULIC CYLINDER (6633R)

ITEM	NUMBER	QTY	DESCRIPTION
1	SN8610-1		CLEVIS, 1 1/4" THREADS, 1" PIN W/BUSHING, CROSS
2	SN8671-1		CAPSCREW NUT, 5/16" THREADS CROSS
3	SN8878-1		ROD, 1 1/4" DIA, 20" CROSS
4	SN8631-1		CAPSCREW, CROSS
5	SN8762-1		SEAL KIT, 3", 1 1/4" ROD, CROSS
6	SN8722-10		HEAD, 3", 1 1/4" ROD, CROSS (ORB)
7	SN8866-1		TIE ROD NUT, 1/2"-13 UNC CROSS
8	SN8711-1		PISTON, 3" W/3/4" HOLE CROSS
9	SN8681-1		PISTON NUT, 3/4" CROSS
10	SN8806-1		TUBE, 3" X 20" CROSS
11	SN8872-1		TIE ROD BOLT, 3" X 20", CROSS
12	SN8701-10		BASE, 3" (ORB) CROSS
13			* WIPER
14			* U-CUP
15			* BACKUP
16			* O-RING
17			* TEFLON RING
18	SN4458		PLUG, 3/4"-16 MOR

NOTE: AVAILABLE IN THE SEAL KIT ONLY

I0002119
PR: t05g30m59a0031

LIGHT KIT ASSEMBLY



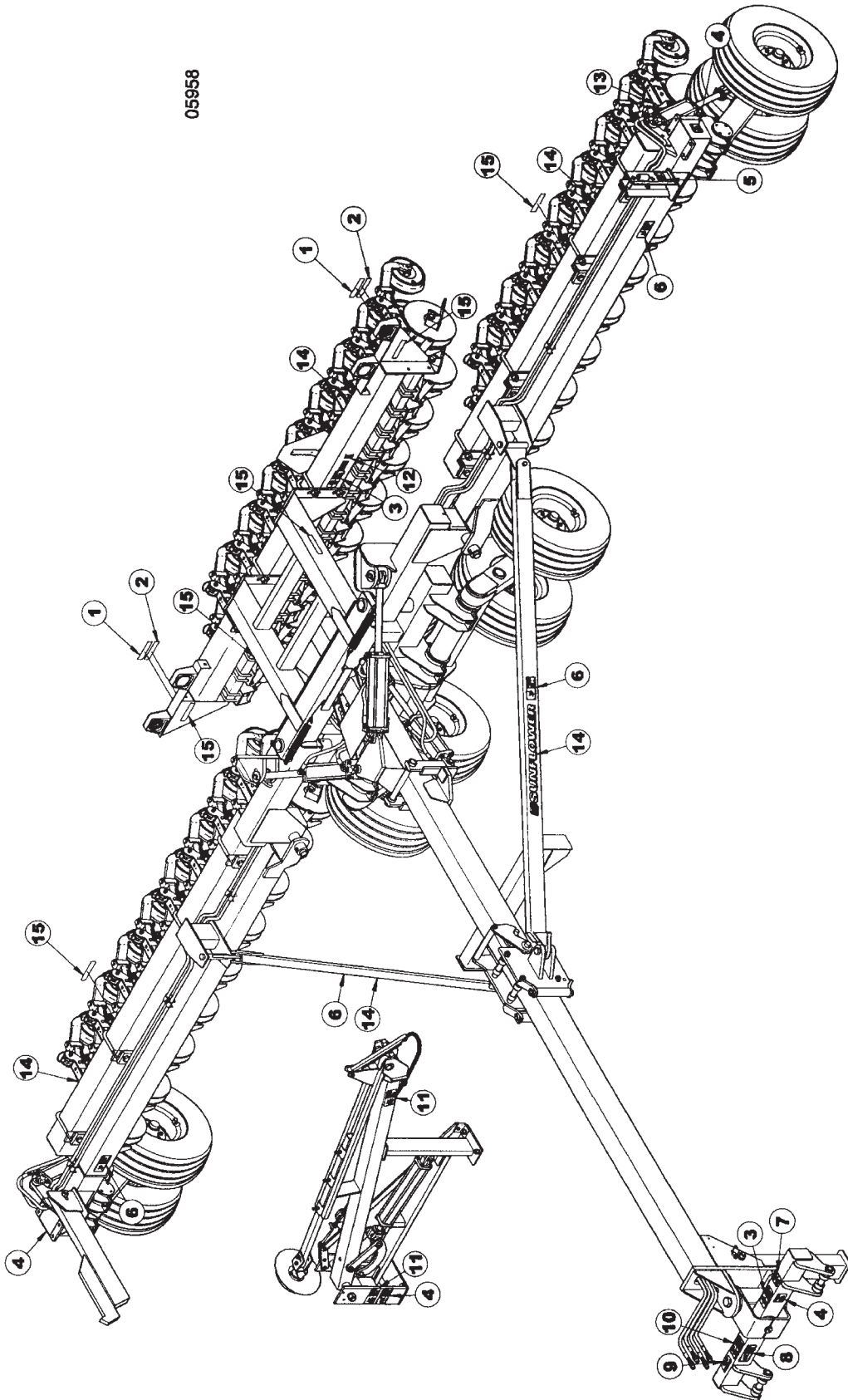
06054

ITEM	NUMBER	QTY	DESCRIPTION
1	SN10329		HARNES, 38' WISHBONE, EQUAL LEGS, SHIELDED FESTOON CABLE W/ CONNECTORS
2	SN2587		PLASTIC HOSE STRAP, 21 1/2" L
3	SN10330		HARNES, 54" AMBER LEG - 40" RED LEG WISHBONE, W/FLAT & TRIANGULAR CONNECTORS
4	SN10007		LAMP, SINGLE AMBER FRT/REAR
5	SN10008		LAMP, SINGLE RED REAR / BLANK FRT
6	SN10314		BRACKET, LIGHT
	SN10315		BRACKET, LIGHT
7	SN9965		SCREW, HEX HEAD, 1/4"-14 X 3/4" TYPE AB, Y/D
8	SN893		FLAT WASHER, 3/4" Y/D
9	SN106		HEX NUT, 3/4"-10 FULL, GR 5, Y/D
10	SN1220		HEX BOLT, 3/4"-10 X 2", GR 5 Y/D

I0006054
PR: t05g30m59a0032

DECAL PLACEMENT

05958



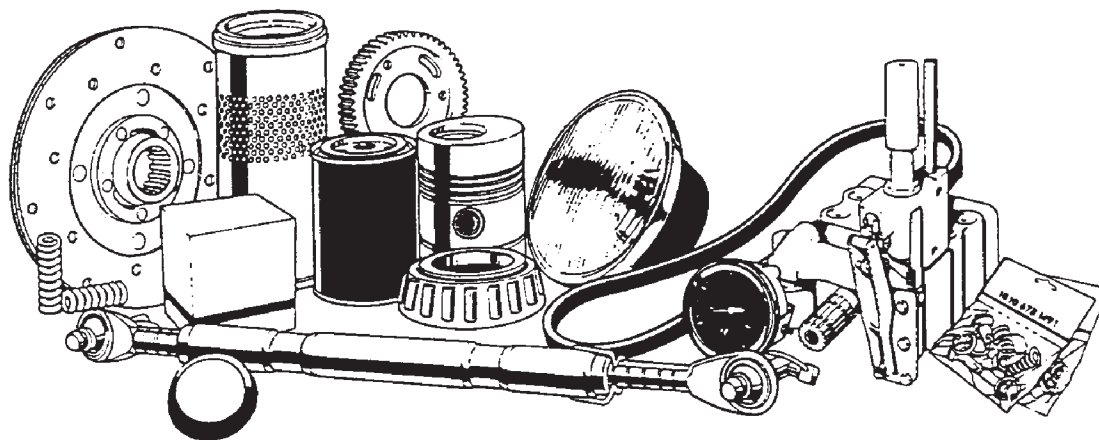
DECAL PLACEMENT

ITEM	NUMBER	QTY	DESCRIPTION
1	SN997661		TAPE, RED REFLECTIVE 2" X 9" L
2	SN997662		TAPE, ORANGE REFLECTIVE 2" X 9" L
3	SN997043		READ OPERATORS MANUAL
4	SN997408		TRANSPORTING HAZARD
5	SN997313		CAUTION - INSTALL LOCK PINS BEFORE TRANSPORTING
6	SN997322		DANGER - FRAME PINCH POINT
7	SN997318		WARNING - 20 MPH MAX TRANSPORT SPEED
8	SN997323		DANGER - ELECTROCUTION HAZARD
9	SN997052		SYSTEMS MUST BE BLED OF AIR
10	SN997311		HIGH PRESSURE FLUID HAZARD
11	SN997324		DANGER - OVERHEAD MARKER HAZARD
12	SN997246		FEMA DECAL
13	SN997459		PATENT DECAL, #5,626,196
14	SN997002		SUNFLOWER DECAL
15	SN997663		TAPE, YELLOW REFLECTIVE 2" X 9" L

I0005958
PR: t05g30m59a0033

RECOMMENDED DEALER STOCK

RECOMMENDED DEALER'S STOCK



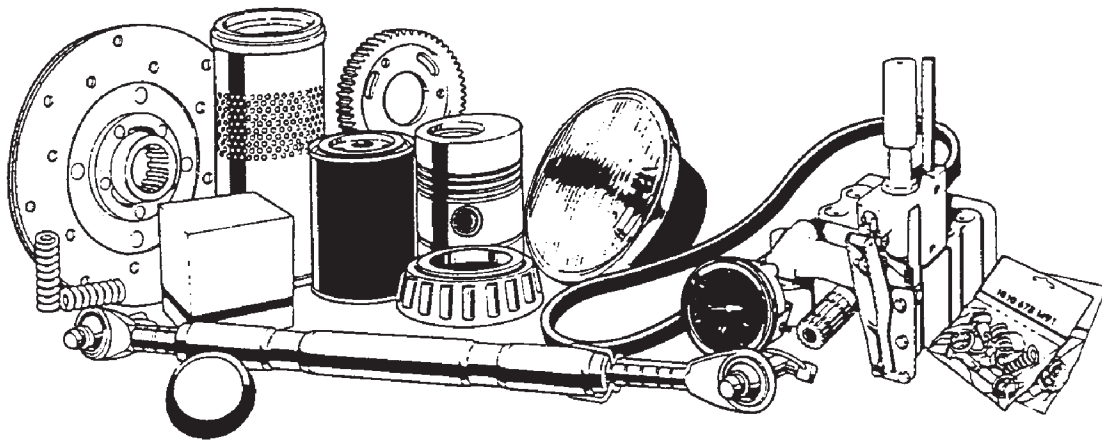
ITEM	NUMBER	QTY	DESCRIPTION
-	SN7773	4	14" BLADE, 4 BOLT, .138" THICK .78"
-	SNFK310062	2	BEARING (JLM506849)
-	SN776	2	BEARING (L44643)
-	SN1935	2	BEARING (LM501349)
-	SN1606	2	BEARING (LM67048)
-	SN7218	2	BEARING, 40MM
-	SN6652	1	BUSHING, 1.500" OD X 1.156" ID 11 7/16"
-	SN7197	1	CABLE, 17"
-	SN7446	1	CHAIN, 5/16" PROOF, 109 1/8" L
-	SN7445	1	CHAIN, 5/16" PROOF, 78 3/4" L
-	SNB1127	1	DUST CAP
-	SN7779	1	DUST CAP, 1.986" OD X .032" TH Y/D
-	SN1610	1	DUST CAP, 2.448" OD, Y/D
-	SNFK340162	1	DUST CAP, 3.125" OD, Y/D
-	SN7780	1	FOUR BOLT HUB W/CUPS & ZERK
-	SN10329	1	HARNESS, 38' WISHBONE, EQUAL LEGS,
-	SN10330	1	HARNESS, 54" AMBER LEG - 40" RED
-	SN3302	1	HEX NUT, 1"-14 FULL SLOTTED GR 2, PLAIN
-	SN7778	1	HEX NUT, 1"-14 SLOTTED .531" TH GR 2,
-	SN10007	1	LAMP, SINGLE AMBER FRT/REAR
-	SN10008	1	LAMP, SINGLE RED REAR / BLANK FRT
-	SN7024	2	L-BOLT, 5/8"-11 X 4 5/8" X 6 5/8",
-	SNFK340167	8	LUG BOLT, 5/8"-18 X 2 1/4"
-	SN3118	6	LUG BOLT, 9/16"-18 X 1 7/8" PRESS IN, PL
-	SNFK340168	8	LUG NUT, 5/8"-18, GR 5, 90 DEG TAPER, Y/D
-	SN3117	6	LUG NUT, 9/16"-18, GR 5, 90 DEG TAPER,
-	SN9780	2	OPENER BAR, ALL PURPOSE, HEADS UP
-	SN9753	2	OPENER BLADE & BRG ASSEMBLY, HEADS UP
-	SNFK310063	2	RACE (JLM506810)
-	SN777	2	RACE (L44610)
-	SN1936	2	RACE (LM501310)
-	SN1605	2	RACE (LM67010)
-	SN10127	4	SCRAPER, OPENER LEFT
-	SN10126	4	SCRAPER, OPENER RIGHT

CONTINUED

RDL
PR: t05g30m59a0034

RECOMMENDED DEALER STOCK

RECOMMENDED DEALER'S STOCK



ITEM	NUMBER	QTY	DESCRIPTION
-	SN8776-1	2	SEAL KIT, 3 3/4", 1 3/8" ROD, REPHASING
-	SN8762-1	2	SEAL KIT, 3", 1 1/4" ROD, CROSS
-	SN8799-1	2	SEAL KIT, 4 1/2", 1 1/2" ROD, CROSS
-	SN8780-1	2	SEAL KIT, 4 1/4", 1 3/8" ROD REPHASING
-	SN8789-1	2	SEAL KIT, 4", 1 1/2" ROD REPHASING CROSS
-	SN8781-1	2	SEAL KIT, 4", 1 3/8" ROD REPHASING CROSS
-	SNFK310064	2	SEAL, 8-BOLT
-	SN7775	2	SEAL, SINGLE LIP (SL-123)
-	SN9937	4	SEED TUBE, ALL PURPOSE HEADS UP
-	SN3300	1	SIX BOLT HUB ASSEMBLY W/3301 SEAL
-	SN7001	1	SMV EMBLEM
-	SN9708	2	SPRING, .162" WIRE DIA X 5" L EXTENS
-	SN7083	2	SPRING, .500" OD X .375" ID, 1 1/2" L
-	SN7198	2	SPRING, 1.250" OD X 1.020" ID, 6" L
-	SN7411	1	TIRE, 2" X 13" SMOOTH CROWN CLINCHER
-	SN7409	1	TIRE, 2" X 13" V-CROWN
-	SN7410	1	TIRE, 3" X 13" CENTER RIB
-	SN7408	1	TIRE, 4" X 12" DOUBLE RIB
-	SN3301	2	TRIPLE LIP SEAL
-	SNN31209	2	U-BOLT 3/8" X 7 1/16 X 8
-	SNDR80019	2	U-BOLT, 3/4"-10 X 8 3/4" X 7 13/16" W,
-	SNDR80044	2	U-BOLT, 7/8"-9 X 8 3/4" X 7 15/16" W,
-	SNFK340165	1	WASHER, 1 1/16" ID X 2 1/8" OD X 1/4"
-	SN3303	1	WASHER, 1 1/32" ID X 1 3/4" ODX 1/8"

NOTE: THIS PARTS STOCK LIST
INDICATES THOSE ITEMS RECOMMENDED
TO SERVICE ONE UNIT.

RDL
PR: t05g30m59a0034

GRAIN DRILLS

PARTS CATALOG

SUNFLOWER[®]
9433 THREE - SECTION FOLDING GRAIN
DRILL

RECOMMENDED DEALER LIST

RECOMMENDED DEALER STOCK 127

SERVICE PARTS

ALL PURPOSE HEADS UP OPENER 75
ALL PURPOSE HEADS UP OPENER PRESS WHEEL ASSEMBLY 79
CENTER FRAME FOLD HYDRAULICS 69
CENTER FRAME LIFT HYDRAULICS 35
CENTER LIFT ASSEMBLY 25
CENTER LIFT SPINDLE & WHEEL ASSEMBLY 27
DECAL PLACEMENT 123
DRILL SHAFT ASSEMBLY WHEN USING GRASS SEEDER 121
ELECTRIC CLUTCH KIT 105
ELECTRIC CLUTCH KIT ASSEMBLY 107
FRAME ASSEMBLY 11
GRASS SEEDER AGITATOR ASSEMBLY 119
GRASS SEEDER HOPPER ASSEMBLY (OPTIONAL) 115
GRASS SEEDER SHAFT ASSEMBLY 117
HYDRAULIC SHUT-OFF ASSEMBLY 99
LEFT WING FRAME ASSEMBLY 17
LIGHT KIT ASSEMBLY 109
LOWER HALF OF THE CENTER SECTION GAUGE WHEEL ASSEMBLY 59
LOWER HALF OF THE WING GAUGE WHEEL ASSEMBLY 63
MAIN FRAME ASSEMBLY 15
MAIN FRAME FOLD HYDRAULICS 67
MAIN FRAME LIFT HYDRAULICS 33
OPENER SHIELD ASSEMBLY 83
OUTER WING LIFT HYDRAULICS 37
PRESS WHEEL & TIRE ASSEMBLY 81
RIGHT WING FRAME ASSEMBLY 19
ROW MARKER ASSEMBLY 85
ROW MARKER HYDRAULICS ON MAIN FRAME 89
ROW MARKER HYDRAULICS ON THE CENTER FRAME 91
ROW MARKER MOUNT ASSEMBLY 87
SAFETY SIGN PLACEMENT 125
SEED METER SHAFT ASSEMBLY 13
SHAFT & BIN LEVEL MONITOR KIT (OPTIONAL) 111
SHAFT & BIN LEVEL MONITOR MOUNTING (OPTIONAL) 113
SLIDE LOCK ASSEMBLY 23
TOP HALF OF THE CENTER SECTION GAUGE WHEEL ASSEMBLY 57
TOP HALF OF THE WING GAUGE WHEEL ASSEMBLY 61
TRANSPORT LOCK ASSEMBLY 55
TURNBUCKLE ASSEMBLY ON GAUGE WHEELS 65
WING FRAME ROW MARKER HYDRAULICS 93
WING LIFT ASSEMBLY 29
WING LIFT SPINDLE & TIRE ASSEMBLY 31
10' HOPPER ASSEMBLY 9
2 1/2" X 8" CYLINDER (DR55002) VERSION 1, PRIOR TO 6/23/03 101
2 1/2" X 8" CYLINDER (12051R) VERSION 2, 6/23/03 & LATER 103
2-POINT HITCH ASSEMBLY 21
3 3/4" X 10" CYLINDER (10815R) VERSION 2, 4/9/03 & LATER 41
3 3/4" X 10" HYDRAULIC CYLINDER (4431R) VERSION 1, PRIOR TO 4/9/03 39
3" X 20" HYDRAULIC CYLINDER (12024R) VERSION 2, 8/28/03 & LATER 97
3" X 20" HYDRAULIC CYLINDER (6633R) VERSION 1, PRIOR TO 8/28/03 95
4 1/2" X 10" CYLINDER (12014R) VERSION 2, 12/12/03 & LATER 53
4 1/2" X 10" CYLINDER (7419R) VERSION 1, PRIOR TO 12/12/03 51
4 1/4" X 10" CYLINDER (12013R) VERSION 2, 1/19/04 & LATER 49
4 1/4" X 10" CYLINDER (7104R) VERSION 1, PRIOR TO 1/19/04 47
4" X 10" HYDRAULIC CYLINDER (10814R) VERSION 2, 6/23/03 & LATER 45
4" X 10" HYDRAULIC CYLINDER (4430R) VERSION 1, PRIOR TO 6/23/03 43

9433 THREE-SECTION FOLDING GRAIN DRILL

**III
INDEX**

SERVICE PARTS (CONTINUED)

4" X 16" HYDRAULIC CYLINDER 12012R (VERSION 2, 8/22/03 & LATER)	73
4" X 16" HYDRAULIC CYLINDER 9725R (VERSION 1, PRIOR TO 8/22/03)	71
7 1/2' HOPPER ASSEMBLY	7

IV

9433 THREE-SECTION FOLDING GRAIN DRILL

INDEX

Part No.	Page	Grid	Part No.	Page	Grid	Part No.	Page	Grid	Part No.	Page	Grid
SNA0007	7	1-B 6	SNDR40506	129	1-B 18	SNHEN3410	99	1-B 15	SN1193	75	1-B 13
SNA0007	9	1-B 6	SNDR41007	57	1-B 11	SN10050	107	1-B 16	SN1193	129	1-B 18
SNA0007	115	1-B 17	SNDR41007	59	1-B 11	SN10050	127	1-B 18	SN12009	53	1-B 11
SNA0007	127	1-B 18	SNDR41007	61	1-B 12	SN10051	107	1-B 16	SN12011	73	1-B 13
SNA0012	13	1-B 7	SNDR41007	63	1-B 12	SN10051	127	1-B 18	SN12012	69	1-B 12
SNA0012	121	1-B 18	SNDR41008	57	1-B 11	SN10052	107	1-B 16	SN12013	29	1-B 8
SNA0012	131	1-B 19	SNDR41008	59	1-B 11	SN10052	127	1-B 18	SN12014	25	1-B 8
SNA0119	117	1-B 17	SNDR41008	61	1-B 12	SN10053	107	1-B 16	SN12021	97	1-B 15
SNBP10030	115	1-B 17	SNDR41008	63	1-B 12	SN10054	107	1-B 16	SN12022	97	1-B 15
SNBP10031	115	1-B 17	SNDR41506	13	1-B 7	SN10055	105	1-B 16	SN12023	97	1-B 15
SNBP10041	117	1-B 17	SNDR41506	121	1-B 18	SN10055	107	1-B 16	SN12024	87	1-B 14
SNBP10065	115	1-B 17	SNDR41509	13	1-B 7	SN10055	127	1-B 18	SN12051	99	1-B 15
SNBP10074	115	1-B 17	SNDR41509	117	1-B 17	SN10056	105	1-B 16	SN12188	25	1-B 8
SNBP10076	115	1-B 17	SNDR41509	119	1-B 17	SN10056	107	1-B 16	SN12188	29	1-B 8
SNBP10296	115	1-B 17	SNDR41518	59	1-B 11	SN10056	127	1-B 18	SN1220	77	1-B 13
SNBT10258	11	1-B 7	SNDR41518	63	1-B 12	SN10126	77	1-B 13	SN12348	77	1-B 13
SNBT10258	127	1-B 18	SNDR41518	127	1-B 18	SN10126	129	1-B 18	SN12360	59	1-B 11
SNBT10275	13	1-B 7	SNDR55002	99	1-B 15	SN10127	77	1-B 13	SN12361	59	1-B 11
SNBT10275	121	1-B 18	SNDR56006	91	1-B 15	SN10127	129	1-B 18	SN1243	13	1-B 7
SNB1127	77	1-B 13	SNDR56006	129	1-B 18	SN1021	75	1-B 13	SN1243	87	1-B 14
SNB1127	129	1-B 18	SNDR80011	77	1-B 13	SN10292	57	1-B 11	SN1243	121	1-B 18
SNB1141	91	1-B 15	SNDR80011	129	1-B 18	SN10294	61	1-B 12	SN1283	17	1-B 7
SNB1142	117	1-B 17	SNDR80018	57	1-B 11	SN10296	65	1-B 12	SN1283	19	1-B 7
SNB1540	13	1-B 7	SNDR80018	61	1-B 12	SN10296	129	1-B 18	SN1283	21	1-B 8
SNB1540	121	1-B 18	SNDR80018	131	1-B 19	SN10321R	15	1-B 7	SN1283	57	1-B 11
SNB1540	127	1-B 18	SNDR80019	87	1-B 14	SN10325	59	1-B 11	SN1298	57	1-B 11
SNB1598	13	1-B 7	SNDR80019	131	1-B 19	SN10325	63	1-B 12	SN1298	61	1-B 12
SNB1598	121	1-B 18	SNDR80029	57	1-B 11	SN10325	129	1-B 18	SN1300	15	1-B 7
SNB1599	13	1-B 7	SNDR80029	59	1-B 11	SN10326	7	1-B 6	SN1300	23	1-B 8
SNB1599	121	1-B 18	SNDR80029	61	1-B 12	SN10326	9	1-B 6	SN1300	87	1-B 14
SNB2610	65	1-B 12	SNDR80029	63	1-B 12	SN10326	13	1-B 7	SN1345	65	1-B 12
SNB2620	13	1-B 7	SNDR80029	131	1-B 19	SN10326	121	1-B 18	SN140	15	1-B 7
SNB2620	121	1-B 18	SNDR80044	15	1-B 7	SN10333	75	1-B 13	SN140	27	1-B 8
SNB2632	85	1-B 14	SNDR80044	17	1-B 7	SN10355	59	1-B 11	SN1507	11	1-B 7
SNB30001	21	1-B 8	SNDR80044	19	1-B 7	SN10355	63	1-B 12	SN1507	85	1-B 14
SNB4103	65	1-B 12	SNDR80044	131	1-B 19	SN10356	59	1-B 11	SN155	21	1-B 8
SNDR10025	7	1-B 6	SNDR81044	77	1-B 13	SN10356	63	1-B 12	SN1550	13	1-B 7
SNDR10025	9	1-B 6	SNDR81044	129	1-B 18	SN10357	59	1-B 11	SN1550	121	1-B 18
SNDR10025	117	1-B 17	SNFK150025	55	1-B 11	SN10357	63	1-B 12	SN156	11	1-B 7
SNDR10026	13	1-B 7	SNFK150144	17	1-B 7	SN10358	59	1-B 11	SN156	57	1-B 11
SNDR10026	121	1-B 18	SNFK150144	19	1-B 7	SN10358	63	1-B 12	SN156	61	1-B 12
SNDR10506	13	1-B 7	SNFK150157	17	1-B 7	SN10359	59	1-B 11	SN159	85	1-B 14
SNDR10506	117	1-B 17	SNFK150157	19	1-B 7	SN10359	63	1-B 12	SN159	99	1-B 15
SNDR10506	121	1-B 18	SNFK150172	23	1-B 8	SN1040	29	1-B 8	SN159	117	1-B 17
SNDR10524	11	1-B 7	SNFK150172	65	1-B 12	SN1040	87	1-B 14	SN1599	65	1-B 12
SNDR10524	87	1-B 14	SNFK150172	69	1-B 12	SN10463	77	1-B 13	SN1605	27	1-B 8
SNDR11502	11	1-B 7	SNFK150189	117	1-B 17	SN10479	77	1-B 13	SN1605	31	1-B 9
SNDR11502	131	1-B 19	SNFK150221	115	1-B 17	SN10479	131	1-B 19	SN1605	127	1-B 18
SNDR11507	11	1-B 7	SNFK150261	21	1-B 8	SN10542	77	1-B 13	SN1606	27	1-B 8
SNDR11507	131	1-B 19	SNFK150272	17	1-B 7	SN106	29	1-B 8	SN1606	31	1-B 9
SNDR12003	117	1-B 17	SNFK150272	19	1-B 7	SN106	87	1-B 14	SN1606	127	1-B 18
SNDR12006	117	1-B 17	SNFK150274	23	1-B 8	SN10764	111	1-B 17	SN1609	27	1-B 8
SNDR12011	75	1-B 13	SNFK150283	75	1-B 13	SN10771	113	1-B 17	SN1609	85	1-B 14
SNDR12011	131	1-B 19	SNFK310062	27	1-B 8	SN10814	25	1-B 8	SN1610	27	1-B 8
SNDR12016	7	1-B 6	SNFK310062	127	1-B 18	SN10815	29	1-B 8	SN1610	31	1-B 9
SNDR12016	9	1-B 6	SNFK310063	27	1-B 8	SN10853	113	1-B 17	SN1610	127	1-B 18
SNDR12017	13	1-B 7	SNFK310063	127	1-B 18	SN110	17	1-B 7	SN1611	59	1-B 11
SNDR12017	121	1-B 18	SNFK310064	27	1-B 8	SN110	19	1-B 7	SN1611	63	1-B 12
SNDR12017	129	1-B 18	SNFK310064	127	1-B 18	SN110	21	1-B 8	SN1611	131	1-B 19
SNDR12031	17	1-B 7	SNFK340162	27	1-B 8	SN110	57	1-B 11	SN1675	99	1-B 15
SNDR12034	115	1-B 17	SNFK340162	127	1-B 18	SN112	61	1-B 12	SN1678	19	1-B 7
SNDR12046	7	1-B 6	SNFK340163	27	1-B 8	SN112	85	1-B 14	SN175	81	1-B 14
SNDR12046	9	1-B 6	SNFK340165	27	1-B 8	SN112	87	1-B 14	SN175	85	1-B 14
SNDR20004	75	1-B 13	SNFK340165	129	1-B 18	SN1122	25	1-B 8	SN175	115	1-B 17
SNDR20004	131	1-B 19	SNFK340167	27	1-B 8	SN1122	29	1-B 8	SN176	33	1-B 9
SNDR20005	117	1-B 17	SNFK340167	131	1-B 19	SN1122	87	1-B 14	SN176	93	1-B 15
SNDR30009	13	1-B 7	SNFK340168	27	1-B 8	SN113	27	1-B 8	SN177	13	1-B 7
SNDR30009	117	1-B 17	SNFK340168	131	1-B 19	SN113	57	1-B 11	SN177	117	1-B 17
SNDR30009	119	1-B 17	SNFK800384	27	1-B 8	SN113	61	1-B 12	SN177	121	1-B 18
SNDR30009	121	1-B 18	SNFK800384	127	1-B 18	SN113	85	1-B 14	SN178	11	1-B 7
SNDR30009	129	1-B 18	SNHEN3410	23	1-B 8	SN114	27	1-B 8	SN178	83	1-B 14
SNDR30022	59	1-B 11	SNHEN3410	25	1-B 8	SN114	57	1-B 11	SN178	91	1-B 15
SNDR30022	63	1-B 12	SNHEN3410	65	1-B 12	SN114	61	1-B 12	SN178	115	1-B 17
SNDR30022	129	1-B 18	SNHEN3410	75	1-B 13	SN114	85	1-B 14	SN1823	59	1-B 11
SNDR40506	13	1-B 7	SNHEN3410	85	1-B 14	SN1193	11	1-B 7	SN1823	63	1-B 12

9433 THREE-SECTION FOLDING GRAIN DRILL

V
INDEX

Part No.	Page	Grid	Part No.	Page	Grid	Part No.	Page	Grid	Part No.	Page	Grid
SN1823	99	1-B 15	SN317	7	1-B 6	SN3881	7	1-B 6	SN4458	73	1-B 13
SN1860	21	1-B 8	SN317	9	1-B 6	SN3881	9	1-B 6	SN4458	95	1-B 15
SN1918	17	1-B 7	SN317	11	1-B 7	SN3881	13	1-B 7	SN4458	97	1-B 15
SN1918	19	1-B 7	SN317	13	1-B 7	SN3881	55	1-B 11	SN4458	101	1-B 16
SN1935	27	1-B 8	SN317	77	1-B 13	SN3881	57	1-B 11	SN4458	103	1-B 16
SN1935	31	1-B 9	SN317	91	1-B 15	SN3881	61	1-B 12	SN4460	35	1-B 9
SN1935	127	1-B 18	SN317	115	1-B 17	SN3881	75	1-B 13	SN4466	69	1-B 12
SN1936	27	1-B 8	SN317	117	1-B 17	SN3881	81	1-B 14	SN4623	29	1-B 8
SN1936	31	1-B 9	SN317	121	1-B 18	SN3881	109	1-B 16	SN4738	11	1-B 7
SN1936	127	1-B 18	SN3253	33	1-B 9	SN3881	113	1-B 17	SN4738	15	1-B 7
SN1937	31	1-B 9	SN3253	67	1-B 12	SN3881	117	1-B 17	SN474	7	1-B 6
SN1978	15	1-B 7	SN3253	89	1-B 14	SN3881	119	1-B 17	SN474	91	1-B 15
SN1978	21	1-B 8	SN3253	99	1-B 15	SN3881	121	1-B 18	SN4843	11	1-B 7
SN1978	29	1-B 8	SN3298	31	1-B 9	SN3938	19	1-B 7	SN4843	131	1-B 19
SN2045	57	1-B 11	SN3298	129	1-B 18	SN3938	21	1-B 8	SN486	11	1-B 7
SN2045	61	1-B 12	SN330	59	1-B 11	SN3938	85	1-B 14	SN486	57	1-B 11
SN2045	85	1-B 14	SN330	63	1-B 12	SN396	15	1-B 7	SN486	61	1-B 12
SN2045	131	1-B 19	SN330	87	1-B 14	SN396	17	1-B 7	SN486	85	1-B 14
SN2079	15	1-B 7	SN3300	31	1-B 9	SN396	19	1-B 7	SN506	7	1-B 6
SN2079	21	1-B 8	SN3300	127	1-B 18	SN397	15	1-B 7	SN506	9	1-B 6
SN2085	29	1-B 8	SN3301	27	1-B 8	SN397	17	1-B 7	SN506	113	1-B 17
SN2089	57	1-B 11	SN3301	31	1-B 9	SN397	19	1-B 7	SN506	117	1-B 17
SN2096	11	1-B 7	SN3301	129	1-B 18	SN3984	7	1-B 6	SN5094	31	1-B 9
SN2098-1	15	1-B 7	SN3302	27	1-B 8	SN3984	9	1-B 6	SN5151	59	1-B 11
SN2098-6	31	1-B 9	SN3302	31	1-B 9	SN3984	33	1-B 9	SN5151	63	1-B 12
SN2148	23	1-B 8	SN3302	127	1-B 18	SN3984	117	1-B 17	SN5152	31	1-B 9
SN2316	85	1-B 14	SN3303	27	1-B 8	SN4060002	69	1-B 12	SN5201	87	1-B 14
SN2355	35	1-B 9	SN3303	31	1-B 9	SN4065005	35	1-B 9	SN5201	129	1-B 18
SN2355	131	1-B 19	SN3303	85	1-B 14	SN4066002	69	1-B 12	SN5228	27	1-B 8
SN2425	67	1-B 12	SN3303	129	1-B 18	SN4094003	67	1-B 12	SN5230	87	1-B 14
SN2426	33	1-B 9	SN3371	11	1-B 7	SN4100006	33	1-B 9	SN5252	99	1-B 15
SN2429	69	1-B 12	SN3411	65	1-B 12	SN4112012	89	1-B 14	SN5290	11	1-B 7
SN245	99	1-B 15	SN3485	21	1-B 8	SN4155012	99	1-B 15	SN5302	33	1-B 9
SN2486	119	1-B 17	SN3557	11	1-B 7	SN4167003	67	1-B 12	SN5302	67	1-B 12
SN2487	65	1-B 12	SN3564	17	1-B 7	SN4168006	33	1-B 9	SN5302	89	1-B 14
SN2487	67	1-B 12	SN3564	21	1-B 8	SN4178011	91	1-B 15	SN5302	93	1-B 15
SN2487	75	1-B 13	SN3564	131	1-B 19	SN4178011	93	1-B 15	SN5302	99	1-B 15
SN2487	81	1-B 14	SN3565	7	1-B 6	SN4185012	89	1-B 14	SN5339	25	1-B 8
SN2487	85	1-B 14	SN3565	9	1-B 6	SN4188012	99	1-B 15	SN5339	29	1-B 8
SN2487	89	1-B 14	SN3566	7	1-B 6	SN4196011	99	1-B 15	SN5339	87	1-B 14
SN2487	93	1-B 15	SN3566	9	1-B 6	SN4198005	33	1-B 9	SN5341	17	1-B 7
SN2557	79	1-B 13	SN3566	11	1-B 7	SN4198005	35	1-B 9	SN5341	19	1-B 7
SN2561	15	1-B 7	SN3567	7	1-B 6	SN4200002	67	1-B 12	SN5502	87	1-B 14
SN2561	23	1-B 8	SN3567	9	1-B 6	SN4200002	69	1-B 12	SN5555	27	1-B 8
SN2561	87	1-B 14	SN3567	11	1-B 7	SN4200011	89	1-B 14	SN5578	27	1-B 8
SN2566	11	1-B 7	SN3567	15	1-B 7	SN4200011	91	1-B 15	SN5621	27	1-B 8
SN2566	127	1-B 18	SN3567	65	1-B 12	SN4200011	93	1-B 15	SN5621	129	1-B 18
SN2568	113	1-B 17	SN3567	75	1-B 13	SN4224005	35	1-B 9	SN5838	109	1-B 16
SN2585	31	1-B 9	SN3567	83	1-B 14	SN4224005	37	1-B 9	SN5844	109	1-B 16
SN2587	37	1-B 9	SN3567	85	1-B 14	SN4234011	89	1-B 14	SN5844	127	1-B 18
SN2587	109	1-B 16	SN3567	91	1-B 15	SN4234011	91	1-B 15	SN5845	109	1-B 16
SN2750	7	1-B 6	SN3567	115	1-B 17	SN4240011	91	1-B 15	SN5845	127	1-B 18
SN2750	9	1-B 6	SN3577	27	1-B 8	SN4240011	93	1-B 15	SN5846	109	1-B 16
SN2750	57	1-B 11	SN3577	31	1-B 9	SN4248011	99	1-B 15	SN5846	127	1-B 18
SN2750	61	1-B 12	SN3577	59	1-B 11	SN4255005	35	1-B 9	SN5847	109	1-B 16
SN2750	109	1-B 16	SN3577	63	1-B 12	SN4255005	37	1-B 9	SN5847	127	1-B 18
SN302	31	1-B 9	SN3578	59	1-B 11	SN4263011	91	1-B 15	SN5848	109	1-B 16
SN303	31	1-B 9	SN3578	63	1-B 12	SN4263011	93	1-B 15	SN5848	127	1-B 18
SN3051	23	1-B 8	SN3579	31	1-B 9	SN4285005	35	1-B 9	SN5849	109	1-B 16
SN3065	17	1-B 7	SN3581	27	1-B 8	SN4285005	37	1-B 9	SN5849	127	1-B 18
SN3065	19	1-B 7	SN3683	27	1-B 8	SN4294005	35	1-B 9	SN5857	109	1-B 16
SN3066	27	1-B 8	SN3683	127	1-B 18	SN4294005	37	1-B 9	SN5934	75	1-B 13
SN3066	31	1-B 9	SN3684	27	1-B 8	SN4430R	25	1-B 8	SN5934	87	1-B 14
SN3117	31	1-B 9	SN3684	127	1-B 18	SN4431R	29	1-B 8	SN5934	129	1-B 18
SN3117	131	1-B 19	SN3685	27	1-B 8	SN4457	35	1-B 9	SN5935	77	1-B 13
SN3118	31	1-B 9	SN3686	27	1-B 8	SN4457	37	1-B 9	SN6155	29	1-B 8
SN3118	131	1-B 19	SN3686	127	1-B 18	SN4458	39	1-B 9	SN6177	89	1-B 14
SN3164	17	1-B 7	SN3688Y	27	1-B 8	SN4458	41	1-B 10	SN6177	99	1-B 15
SN3164	19	1-B 7	SN3722	117	1-B 17	SN4458	43	1-B 10	SN6282	87	1-B 14
SN3164	23	1-B 8	SN3722	119	1-B 17	SN4458	45	1-B 10	SN6301	29	1-B 8
SN3164	25	1-B 8	SN3750	11	1-B 7	SN4458	47	1-B 10	SN6376	13	1-B 7
SN3164	29	1-B 8	SN3758	87	1-B 14	SN4458	49	1-B 10	SN6376	57	1-B 11
SN3164	69	1-B 12	SN3765	11	1-B 7	SN4458	51	1-B 11	SN6376	61	1-B 12
SN3164	87	1-B 14	SN3806	75	1-B 13	SN4458	53	1-B 11	SN6376	77	1-B 13
SN3164	99	1-B 15	SN3806	99	1-B 15	SN4458	71	1-B 13	SN6376	117	1-B 17

**VI
INDEX**

9433 THREE-SECTION FOLDING GRAIN DRILL

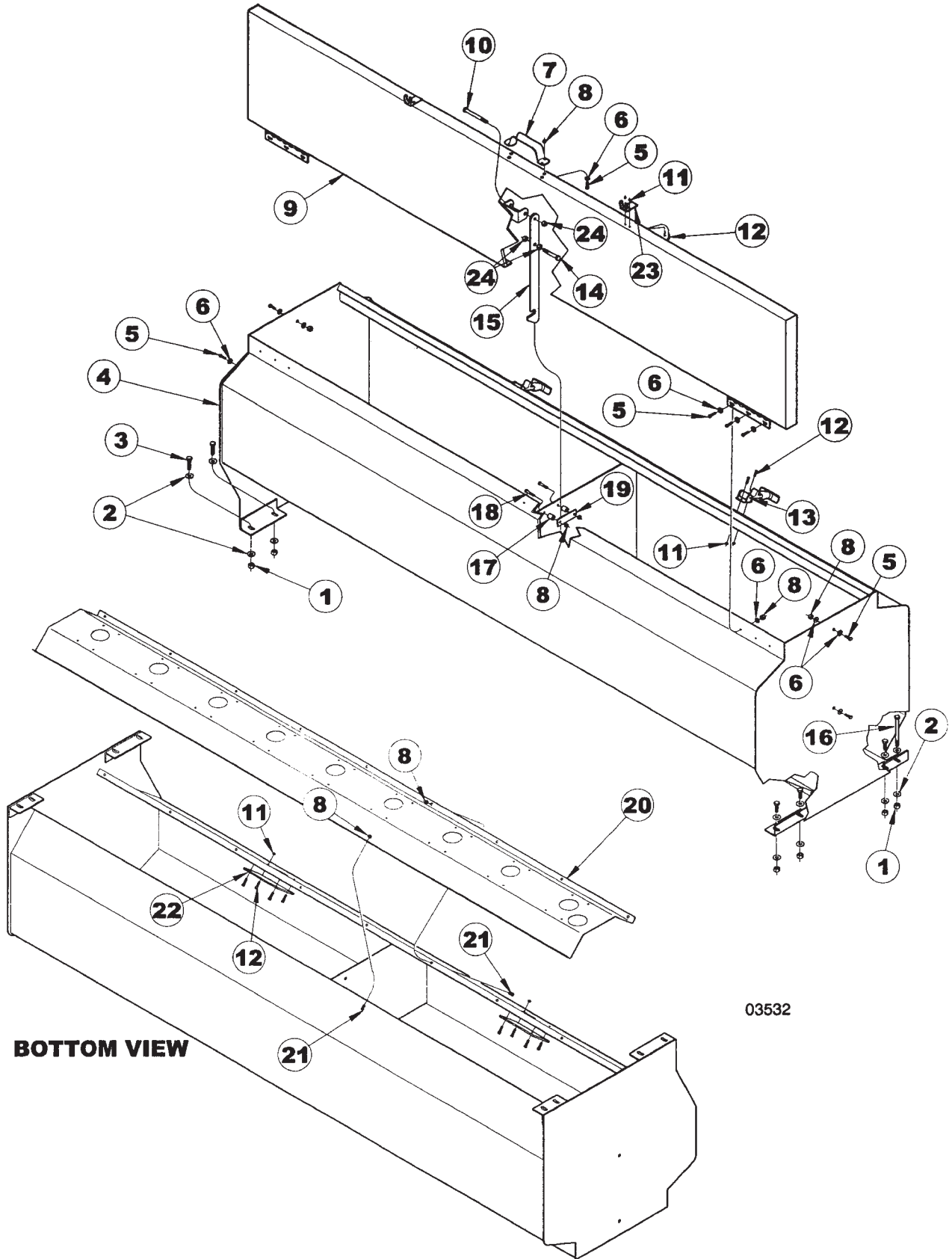
Part No.	Page	Grid	Part No.	Page	Grid	Part No.	Page	Grid	Part No.	Page	Grid
SN6376	119	1-B 17	SN6779	23	1-B 8	SN7222	83	1-B 14	SN7953	117	1-B 17
SN6376	121	1-B 18	SN6782	23	1-B 8	SN7223	83	1-B 14	SN7954	117	1-B 17
SN6377	13	1-B 7	SN6785	17	1-B 7	SN7224	83	1-B 14	SN7955R	117	1-B 17
SN6377	57	1-B 11	SN6785	19	1-B 7	SN7229	83	1-B 14	SN7956	115	1-B 17
SN6377	61	1-B 12	SN6795	11	1-B 7	SN7230	83	1-B 14	SN7957	117	1-B 17
SN6377	117	1-B 17	SN6799	23	1-B 8	SN7266	77	1-B 13	SN7958	117	1-B 17
SN6377	119	1-B 17	SN6800	23	1-B 8	SN7325	25	1-B 8	SN8273-1	73	1-B 13
SN6377	121	1-B 18	SN6815	85	1-B 14	SN7375	79	1-B 13	SN840	77	1-B 13
SN6378	13	1-B 7	SN6817	21	1-B 8	SN7407	81	1-B 14	SN8610-1	39	1-B 9
SN6378	57	1-B 11	SN6818R	21	1-B 8	SN7407	131	1-B 19	SN8610-1	41	1-B 10
SN6378	61	1-B 12	SN6866	79	1-B 13	SN7408	81	1-B 14	SN8610-1	43	1-B 10
SN6378	77	1-B 13	SN6867	79	1-B 13	SN7408	131	1-B 19	SN8610-1	45	1-B 10
SN6378	117	1-B 17	SN6868	79	1-B 13	SN7409	81	1-B 14	SN8610-1	47	1-B 10
SN6378	119	1-B 17	SN6869	79	1-B 13	SN7409	131	1-B 19	SN8610-1	95	1-B 15
SN6378	121	1-B 18	SN6935	91	1-B 15	SN7410	81	1-B 14	SN8610-1	97	1-B 15
SN6381	7	1-B 6	SN6935	93	1-B 15	SN7410	131	1-B 19	SN8612-1	73	1-B 13
SN6381	9	1-B 6	SN6935	99	1-B 15	SN7411	81	1-B 14	SN8612-1	129	1-B 18
SN6425	29	1-B 8	SN6939	11	1-B 7	SN7412	81	1-B 14	SN8617-1	51	1-B 11
SN6436	7	1-B 6	SN6940	11	1-B 7	SN7413	81	1-B 14	SN8618-1	71	1-B 13
SN6436	9	1-B 6	SN6941	11	1-B 7	SN7415	81	1-B 14	SN8618-1	73	1-B 13
SN6440	75	1-B 13	SN6942	11	1-B 7	SN7416	81	1-B 14	SN8629-1	101	1-B 16
SN6470	21	1-B 8	SN6943	59	1-B 11	SN7419	25	1-B 8	SN8629-1	103	1-B 16
SN6477	15	1-B 7	SN6943	63	1-B 12	SN7445	85	1-B 14	SN8631-1	39	1-B 9
SN6478	15	1-B 7	SN6943	127	1-B 18	SN7445	127	1-B 18	SN8631-1	41	1-B 10
SN6506	19	1-B 7	SN6955	11	1-B 7	SN7446	85	1-B 14	SN8631-1	43	1-B 10
SN6555	27	1-B 8	SN6958R	11	1-B 7	SN7446	127	1-B 18	SN8631-1	45	1-B 10
SN6555	129	1-B 18	SN6959R	11	1-B 7	SN7448	87	1-B 14	SN8631-1	47	1-B 10
SN6569	117	1-B 17	SN6991	99	1-B 15	SN7449	87	1-B 14	SN8631-1	51	1-B 11
SN6581	13	1-B 7	SN7001	11	1-B 7	SN7450	87	1-B 14	SN8631-1	71	1-B 13
SN6581	121	1-B 18	SN7001	127	1-B 18	SN7451	87	1-B 14	SN8631-1	73	1-B 13
SN6581	127	1-B 18	SN7024	75	1-B 13	SN7452	87	1-B 14	SN8631-1	95	1-B 15
SN6618	75	1-B 13	SN7024	129	1-B 18	SN7459	119	1-B 17	SN8631-1	97	1-B 15
SN6619	75	1-B 13	SN7026	77	1-B 13	SN7517	65	1-B 12	SN8631-1	101	1-B 16
SN6633	87	1-B 14	SN7026	131	1-B 19	SN7518	65	1-B 12	SN8631-1	103	1-B 16
SN6643	87	1-B 14	SN7027	77	1-B 13	SN7519	65	1-B 12	SN8653-1	45	1-B 10
SN6646	85	1-B 14	SN7028	77	1-B 13	SN7638R	65	1-B 12	SN8654-1	41	1-B 10
SN6649	87	1-B 14	SN7029	77	1-B 13	SN7667	85	1-B 14	SN8654-1	45	1-B 10
SN6651	87	1-B 14	SN7030	77	1-B 13	SN7733	55	1-B 11	SN8655-1	41	1-B 10
SN6652	85	1-B 14	SN7032	75	1-B 13	SN7748	85	1-B 14	SN8656-10	41	1-B 10
SN6656	87	1-B 14	SN7033B	75	1-B 13	SN7749	85	1-B 14	SN8670-10	45	1-B 10
SN6673	11	1-B 7	SN7034	75	1-B 13	SN7750	85	1-B 14	SN8671-1	39	1-B 9
SN6675	11	1-B 7	SN7034B	75	1-B 13	SN7751	85	1-B 14	SN8671-1	41	1-B 10
SN6676	87	1-B 14	SN7040	75	1-B 13	SN7752	85	1-B 14	SN8671-1	43	1-B 10
SN6682	83	1-B 14	SN7040	127	1-B 18	SN7753	85	1-B 14	SN8671-1	45	1-B 10
SN669-1	17	1-B 7	SN7041	75	1-B 13	SN7754	85	1-B 14	SN8671-1	47	1-B 10
SN669-1	19	1-B 7	SN7042	75	1-B 13	SN7755	85	1-B 14	SN8671-1	51	1-B 11
SN669-1	23	1-B 8	SN7043	75	1-B 13	SN776	85	1-B 14	SN8671-1	71	1-B 13
SN669-1	57	1-B 11	SN7043	129	1-B 18	SN776	127	1-B 18	SN8671-1	73	1-B 13
SN669-1	61	1-B 12	SN7044B	75	1-B 13	SN777	85	1-B 14	SN8671-1	95	1-B 15
SN669-1	75	1-B 13	SN7068	11	1-B 7	SN777	127	1-B 18	SN8671-1	97	1-B 15
SN669-1	79	1-B 13	SN7069	11	1-B 7	SN7771	55	1-B 11	SN8671-1	101	1-B 16
SN669-1	87	1-B 14	SN7070	57	1-B 11	SN7772	87	1-B 14	SN8671-1	103	1-B 16
SN6694	117	1-B 17	SN7070	131	1-B 19	SN7773	85	1-B 14	SN8675-10	47	1-B 10
SN6695	117	1-B 17	SN7077	91	1-B 15	SN7773	127	1-B 18	SN8675-10	49	1-B 10
SN6696	119	1-B 17	SN7083	75	1-B 13	SN7775	85	1-B 14	SN8679-10	51	1-B 11
SN6697	119	1-B 17	SN7083	129	1-B 18	SN7775	127	1-B 18	SN8679-10	53	1-B 11
SN6698	119	1-B 17	SN7084	75	1-B 13	SN7778	85	1-B 14	SN8680-10	103	1-B 16
SN6699	119	1-B 17	SN7085	75	1-B 13	SN7778	127	1-B 18	SN8681-1	71	1-B 13
SN670	57	1-B 11	SN71L-2701	11	1-B 7	SN7779	85	1-B 14	SN8681-1	73	1-B 13
SN6700	119	1-B 17	SN7104	29	1-B 8	SN7779	127	1-B 18	SN8681-1	95	1-B 15
SN6701	119	1-B 17	SN7179	11	1-B 7	SN7780	85	1-B 14	SN8681-1	97	1-B 15
SN6702	119	1-B 17	SN7193	55	1-B 11	SN7780	127	1-B 18	SN8681-1	101	1-B 16
SN6703	119	1-B 17	SN7197	55	1-B 11	SN7781	85	1-B 14	SN8681-1	103	1-B 16
SN6704	121	1-B 18	SN7198	55	1-B 11	SN7781	127	1-B 18	SN8682-1	73	1-B 13
SN6707	121	1-B 18	SN7198	129	1-B 18	SN7782	85	1-B 14	SN8683-1	39	1-B 9
SN6709	119	1-B 17	SN7201	77	1-B 13	SN7784	59	1-B 11	SN8683-1	41	1-B 10
SN6710	117	1-B 17	SN7201	131	1-B 19	SN7784	63	1-B 12	SN8683-1	43	1-B 10
SN6711	117	1-B 17	SN7203	77	1-B 13	SN7784	131	1-B 19	SN8683-1	45	1-B 10
SN6711	121	1-B 18	SN7204	77	1-B 13	SN7788	87	1-B 14	SN8683-1	47	1-B 10
SN6713	117	1-B 17	SN7205	77	1-B 13	SN7789	87	1-B 14	SN8683-1	49	1-B 10
SN6714	119	1-B 17	SN7218	79	1-B 13	SN7825	85	1-B 14	SN8685-1	51	1-B 11
SN6757	17	1-B 7	SN7218	81	1-B 14	SN7825	129	1-B 18	SN8685-1	53	1-B 11
SN6757	19	1-B 7	SN7218	131	1-B 19	SN7859	77	1-B 13	SN8689-1	101	1-B 16
SN6776	17	1-B 7	SN7219	11	1-B 7	SN7859	131	1-B 19	SN8690-10	101	1-B 16
SN6776	19	1-B 7	SN7221	83	1-B 14	SN7952	117	1-B 17	SN8692-10	71	1-B 13

9433 THREE-SECTION FOLDING GRAIN DRILL

VII
INDEX

Part No.	Page	Grid	Part No.	Page	Grid	Part No.	Page	Grid	Part No.	Page	Grid
SN8695-1	47	1-B 10	SN8873-1	51	1-B 11	SN9128	11	1-B 7	SN9875	107	1-B 16
SN8698-10	39	1-B 9	SN8873-1	53	1-B 11	SN9129	57	1-B 11	SN9878	57	1-B 11
SN8699-10	43	1-B 10	SN8877-1	71	1-B 13	SN9129	61	1-B 12	SN9879	77	1-B 13
SN8701-10	95	1-B 15	SN8878-1	95	1-B 15	SN9130	61	1-B 12	SN9880	77	1-B 13
SN8711-1	95	1-B 15	SN8879-1	101	1-B 16	SN9131	57	1-B 11	SN9881	59	1-B 11
SN8713-1	71	1-B 13	SN8879-1	103	1-B 16	SN9135	61	1-B 12	SN9881	63	1-B 12
SN8714-1	103	1-B 16	SN8899-1	39	1-B 9	SN9136	59	1-B 11	SN9882	59	1-B 11
SN8717-1	39	1-B 9	SN8899-1	43	1-B 10	SN9136	63	1-B 12	SN9882	63	1-B 12
SN8718-1	43	1-B 10	SN8901-1	51	1-B 11	SN9136	129	1-B 18	SN9883	59	1-B 11
SN8720-1	51	1-B 11	SN8901-1	53	1-B 11	SN9137	57	1-B 11	SN9883	63	1-B 12
SN8721-10	101	1-B 16	SN8925-1	41	1-B 10	SN9137	61	1-B 12	SN9884	59	1-B 11
SN8722-10	95	1-B 15	SN8925-1	45	1-B 10	SN9140	17	1-B 7	SN9884	63	1-B 12
SN8730-10	51	1-B 11	SN893	87	1-B 14	SN9140	19	1-B 7	SN9886	59	1-B 11
SN8731-10	103	1-B 16	SN893	99	1-B 15	SN9151	61	1-B 12	SN9886	63	1-B 12
SN8736-10	39	1-B 9	SN8931-10	97	1-B 15	SN916	99	1-B 15	SN9887	59	1-B 11
SN8736-10	41	1-B 10	SN8937-1	97	1-B 15	SN9161	57	1-B 11	SN9887	63	1-B 12
SN8739-10	43	1-B 10	SN8938-10	97	1-B 15	SN9161	61	1-B 12	SN9888	63	1-B 12
SN8739-10	45	1-B 10	SN8939-1	97	1-B 15	SN9163	65	1-B 12	SN9889	21	1-B 8
SN8741-10	47	1-B 10	SN8939-1	129	1-B 18	SN9164	65	1-B 12	SN9894R	25	1-B 8
SN8741-10	49	1-B 10	SN8951-1	53	1-B 11	SN9166R	57	1-B 11	SN9895R	15	1-B 7
SN8744-10	71	1-B 13	SN8951-1	129	1-B 18	SN9166R	61	1-B 12	SN9896	15	1-B 7
SN8756-1	103	1-B 16	SN8953-1	53	1-B 11	SN9170	57	1-B 11	SN9897	15	1-B 7
SN8756-1	129	1-B 18	SN8956-10	53	1-B 11	SN9172	61	1-B 12	SN9898	25	1-B 8
SN8762-1	95	1-B 15	SN8958-1	49	1-B 10	SN9173	61	1-B 12	SN9900	15	1-B 7
SN8762-1	129	1-B 18	SN8961-1	49	1-B 10	SN9176	13	1-B 7	SN9903R	19	1-B 7
SN8776-1	39	1-B 9	SN8961-1	53	1-B 11	SN9176	57	1-B 11	SN9904R	17	1-B 7
SN8776-1	41	1-B 10	SN8963-1	49	1-B 10	SN9176	121	1-B 18	SN9905R	19	1-B 7
SN8776-1	129	1-B 18	SN8963-1	53	1-B 11	SN9178	59	1-B 11	SN9906R	17	1-B 7
SN8780-1	47	1-B 10	SN8966-1	47	1-B 10	SN9178	63	1-B 12	SN9907	17	1-B 7
SN8780-1	49	1-B 10	SN8966-1	49	1-B 10	SN9179	7	1-B 6	SN9907	19	1-B 7
SN8780-1	129	1-B 18	SN8968-1	49	1-B 10	SN9179	9	1-B 6	SN9908	29	1-B 8
SN8781-1	43	1-B 10	SN8970-1	73	1-B 13	SN9180	7	1-B 6	SN9909	15	1-B 7
SN8781-1	45	1-B 10	SN8971-10	73	1-B 13	SN9180	9	1-B 6	SN9910	69	1-B 12
SN8781-1	129	1-B 18	SN9028	11	1-B 7	SN9181	7	1-B 6	SN9914	21	1-B 8
SN8789-1	71	1-B 13	SN9029	57	1-B 11	SN9181	9	1-B 6	SN9915	15	1-B 7
SN8789-1	129	1-B 18	SN9045	7	1-B 6	SN9182	9	1-B 6	SN9937	75	1-B 13
SN8799-1	51	1-B 11	SN9045	9	1-B 6	SN9185	7	1-B 6	SN9937	131	1-B 19
SN8799-1	129	1-B 18	SN9045	13	1-B 7	SN9186	9	1-B 6	SN9937	131	1-B 19
SN8800-1	101	1-B 16	SN9046	7	1-B 6	SN9188	13	1-B 7	SN9939	59	1-B 11
SN8800-1	129	1-B 18	SN9047	9	1-B 6	SN9188	121	1-B 18	SN9939	63	1-B 12
SN8804-1	51	1-B 11	SN9049	7	1-B 6	SN9189	13	1-B 7	SN997002	123	1-B 18
SN8804-1	53	1-B 11	SN9051	7	1-B 6	SN9189	121	1-B 18	SN997040	125	1-B 18
SN8805-1	47	1-B 10	SN9052	9	1-B 6	SN9190	13	1-B 7	SN997041	125	1-B 18
SN8805-1	49	1-B 10	SN9054	9	1-B 6	SN9190	121	1-B 18	SN997043	125	1-B 18
SN8806-1	95	1-B 15	SN9076	7	1-B 6	SN9191	13	1-B 7	SN997052	39	1-B 9
SN8809-1	101	1-B 16	SN9076	9	1-B 6	SN9191	121	1-B 18	SN997052	41	1-B 10
SN8809-1	103	1-B 16	SN9076	13	1-B 7	SN9192R	13	1-B 7	SN997052	43	1-B 10
SN8826-1	43	1-B 10	SN9076	121	1-B 18	SN9201	61	1-B 12	SN997052	45	1-B 10
SN8826-1	45	1-B 10	SN9077	57	1-B 11	SN9203	61	1-B 12	SN997052	47	1-B 10
SN8828-1	39	1-B 9	SN9077	61	1-B 12	SN9249	99	1-B 15	SN997052	49	1-B 10
SN8828-1	41	1-B 10	SN9077	129	1-B 18	SN9250	99	1-B 15	SN997052	51	1-B 11
SN8833-1	71	1-B 13	SN9078	59	1-B 11	SN9261	15	1-B 7	SN997052	53	1-B 11
SN8833-1	73	1-B 13	SN9078	63	1-B 12	SN9268	15	1-B 7	SN997052	125	1-B 18
SN8849-1	39	1-B 9	SN9078	105	1-B 16	SN9271	15	1-B 7	SN997246	123	1-B 18
SN8849-1	43	1-B 10	SN9078	129	1-B 18	SN9680	75	1-B 13	SN997309	49	1-B 10
SN8854-1	71	1-B 13	SN9079	59	1-B 11	SN9682	75	1-B 13	SN997309	53	1-B 11
SN8864-1	39	1-B 9	SN9079	63	1-B 12	SN9683	59	1-B 11	SN997309	71	1-B 13
SN8864-1	41	1-B 10	SN9079	105	1-B 16	SN9683	63	1-B 12	SN997309	73	1-B 13
SN8864-1	43	1-B 10	SN9079	129	1-B 18	SN9683	75	1-B 13	SN997311	125	1-B 18
SN8864-1	45	1-B 10	SN9081	57	1-B 11	SN9706	69	1-B 12	SN997313	125	1-B 18
SN8864-1	71	1-B 13	SN9081	61	1-B 12	SN9708	75	1-B 13	SN997318	125	1-B 18
SN8864-1	73	1-B 13	SN9081	129	1-B 18	SN9708	129	1-B 18	SN997319	125	1-B 18
SN8864-1	101	1-B 16	SN9082	57	1-B 11	SN9725	69	1-B 12	SN997320	125	1-B 18
SN8864-1	103	1-B 16	SN9082	61	1-B 12	SN9727	23	1-B 8	SN997321	125	1-B 18
SN8865-1	47	1-B 10	SN9083	57	1-B 11	SN9728	23	1-B 8	SN997322	125	1-B 18
SN8865-1	49	1-B 10	SN9083	59	1-B 11	SN9729	23	1-B 8	SN997323	125	1-B 18
SN8865-1	51	1-B 11	SN9083	61	1-B 12	SN9730	23	1-B 8	SN997324	125	1-B 18
SN8865-1	53	1-B 11	SN9083	63	1-B 12	SN9731	23	1-B 8	SN997325	125	1-B 18
SN8866-1	95	1-B 15	SN9083	105	1-B 16	SN9732	23	1-B 8	SN997326	123	1-B 18
SN8866-1	97	1-B 15	SN9083	129	1-B 18	SN9733	23	1-B 8	SN997327	123	1-B 18
SN8870-1	101	1-B 16	SN9101	75	1-B 13	SN9753N	77	1-B 13	SN997339	125	1-B 18
SN8870-1	103	1-B 16	SN9102	75	1-B 13	SN9780	77	1-B 13	SN997340	125	1-B 18
SN8872-1	95	1-B 15	SN9102	129	1-B 18	SN9785	13	1-B 7	SN997407	79	1-B 13
SN8873-1	47	1-B 10	SN9109	81	1-B 14	SN9786	13	1-B 7	SN997408	125	1-B 18
SN8873-1	49	1-B 10	SN9126	11	1-B 7	SN9874	107	1-B 16	SN997459	123	1-B 18

7 1/2' HOPPER ASSEMBLY

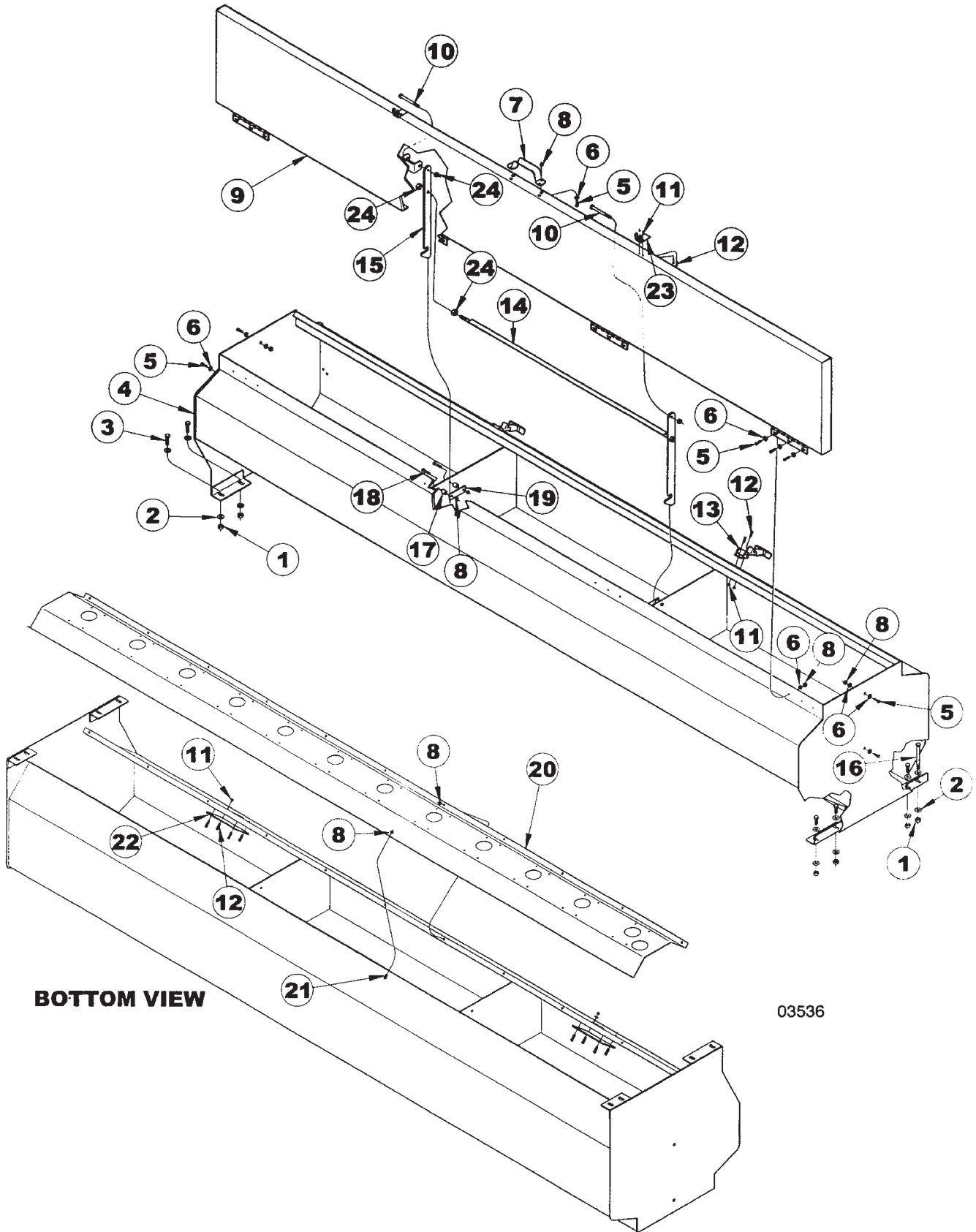


03532

ITEM	NUMBER	QTY	DESCRIPTION
1	SN3567		LOCK NUT, 3/8"-16 HEX NYLON INSERT, GR 2, Y/D
2	SN317		FLAT WASHER, 3/8", Y/D
3	SN3984		HEX BOLT, 3/8"-16 X 1 1/4", GR 5, Y/D
4	SN9046		HOPPER BOX, 7 1/2', 2.4 BU
5	SNDR10025		HEX BOLT, 1/4"-20 X 5/8", GR 5, Y/D
6	SN506		FLAT WASHER, 1/4", Y/D
7	SN6436		HANDLE
8	SN3881		LOCK NUT, 1/4"-20 HEX NYLON INSERT, GR 2, Y/D
9	SN9185		HOPPER LID, 7 1/2'
10	SN3565		HEX BOLT, 3/8"-16 X 3 1/2", GR 5, Y/D
11	SN10326		NUT, 10-24 UNC HEX HEAD W/LOCKWASHER
12	SN9076		HEX BOLT, NO. 10-24 X 1/2", GR 2, Y/D
13	SNA0007		HOPPER LATCH ASSEMBLY
14	SN474		HEX BOLT, 3/8"-16 X 2", GR 5 Y/D
15	SN9180		LID LOCK
16	SN6381		HEX BOLT, 3/8"-16 X 4 1/2", GR 5, Y/D
17	SN9181		SPACER, LID LOCK, 5/8"L
18	SN2750		HEX BOLT, 1/4"-20 X 1 1/4", GR 2, Y/D
19	SN9179		LID LOCK PLATE
20	SN9049		HOPPER BOTTOM PLATE, 7 1/2', 7 1/2" SP
	SN9051		HOPPER BOTTOM PLATE, 7 1/2', 10" SP
21	SN9045		HEX BOLT, 1/4"-20 X 1/2" GR 5, Y/D
22	SNDR12016		SIGHT GLASS
23	SNDR12046		LATCH BRACKET
24	SN3566		LOCK NUT, 3/8"-16 HEX CENTER, GR 2, Y/D

I0003532
PR: t05g30n06d0001

10' HOPPER ASSEMBLY



BOTTOM VIEW

03536

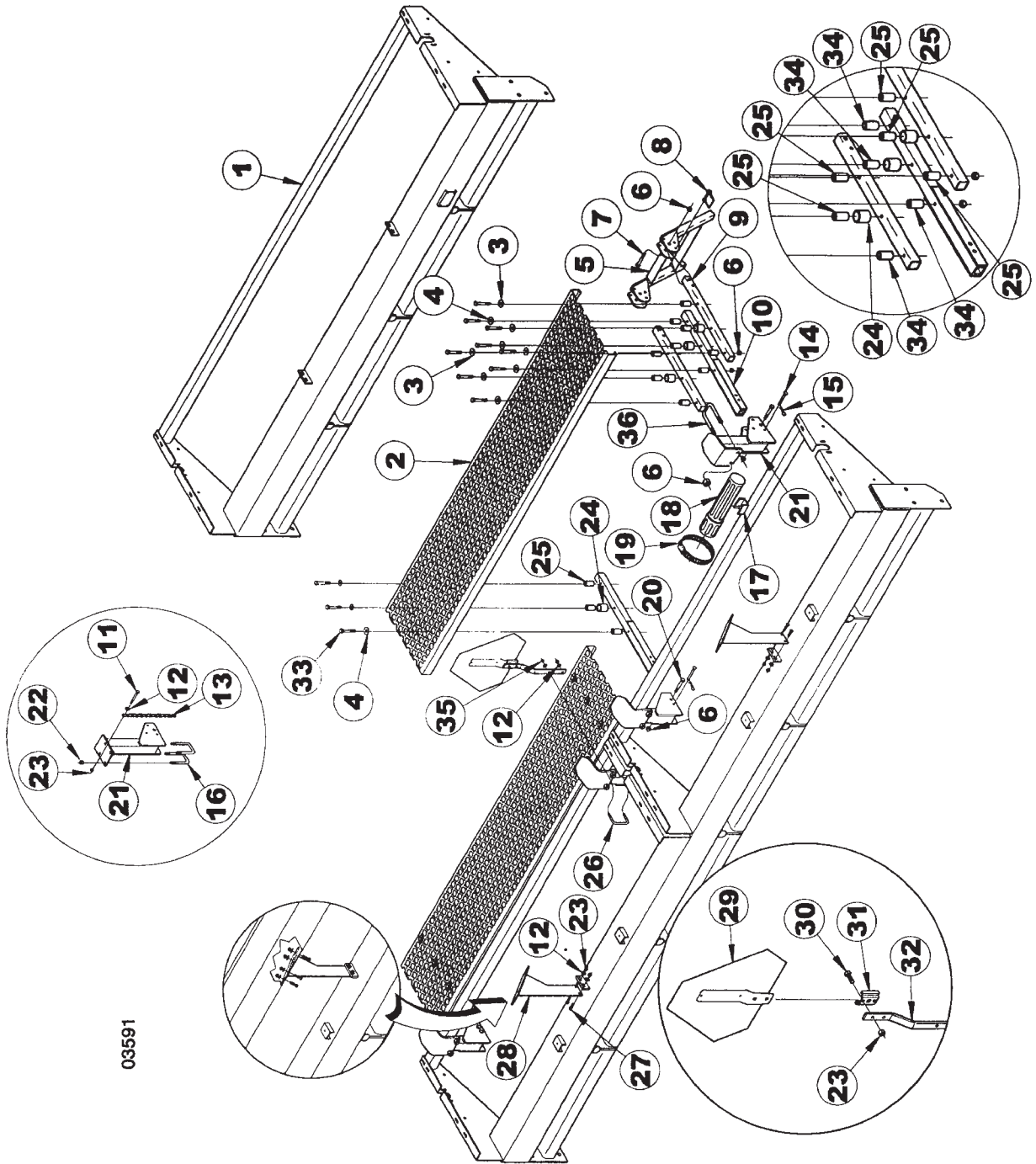
10' HOPPER ASSEMBLY

ITEM	NUMBER	QTY	DESCRIPTION
1	SN3567		LOCK NUT, 3/8"-16 HEX NYLON INSERT, GR 2, Y/D
2	SN317		FLAT WASHER, 3/8", Y/D
3	SN3984		HEX BOLT, 3/8"-16 X 1 1/4", GR 5, Y/D
4	SN9047		HOPPER BOX, 10', 2.4 BU
5	SNDR10025		HEX BOLT, 1/4"-20 X 5/8", GR 5, Y/D
6	SN506		FLAT WASHER, 1/4", Y/D
7	SN6436		HANDLE
8	SN3881		LOCK NUT, 1/4"-20 HEX NYLON INSERT, GR 2, Y/D
9	SN9186		HOPPER LID, 10'
10	SN3565		HEX BOLT, 3/8"-16 X 3 1/2", GR 5, Y/D
11	SN10326		NUT, 10-24 UNC HEX HEAD W/LOCKWASHER
12	SN9076		HEX BOLT, NO. 10-24 X 1/2", GR 2, Y/D
13	SNA0007		HOPPER LATCH ASSEMBLY
14	SN9182		LOCKING ROD, 10'
15	SN9180		LID LOCK
16	SN6381		HEX BOLT, 3/8"-16 X 4 1/2", GR 5, Y/D
17	SN9181		SPACER, LID LOCK, 5/8"L
18	SN2750		HEX BOLT, 1/4"-20 X 1 1/4", GR 2, Y/D
19	SN9179		LID LOCK PLATE
20	SN9052		HOPPER BOTTOM PLATE, 10', 7 1/2" SP
	SN9054		HOPPER BOTTOM PLATE, 10', 10" SP
21	SN9045		HEX BOLT, 1/4"-20 X 1/2" GR 5, Y/D
22	SNDR12016		SIGHT GLASS
23	SNDR12046		LATCH BRACKET
24	SN3566		LOCK NUT, 3/8"-16 HEX CENTER, GR 2,Y/D

I0003536
PR: t05g30n06d0002

FRAME ASSEMBLY

Version 1 Walkboard Bracket
Inside Circle



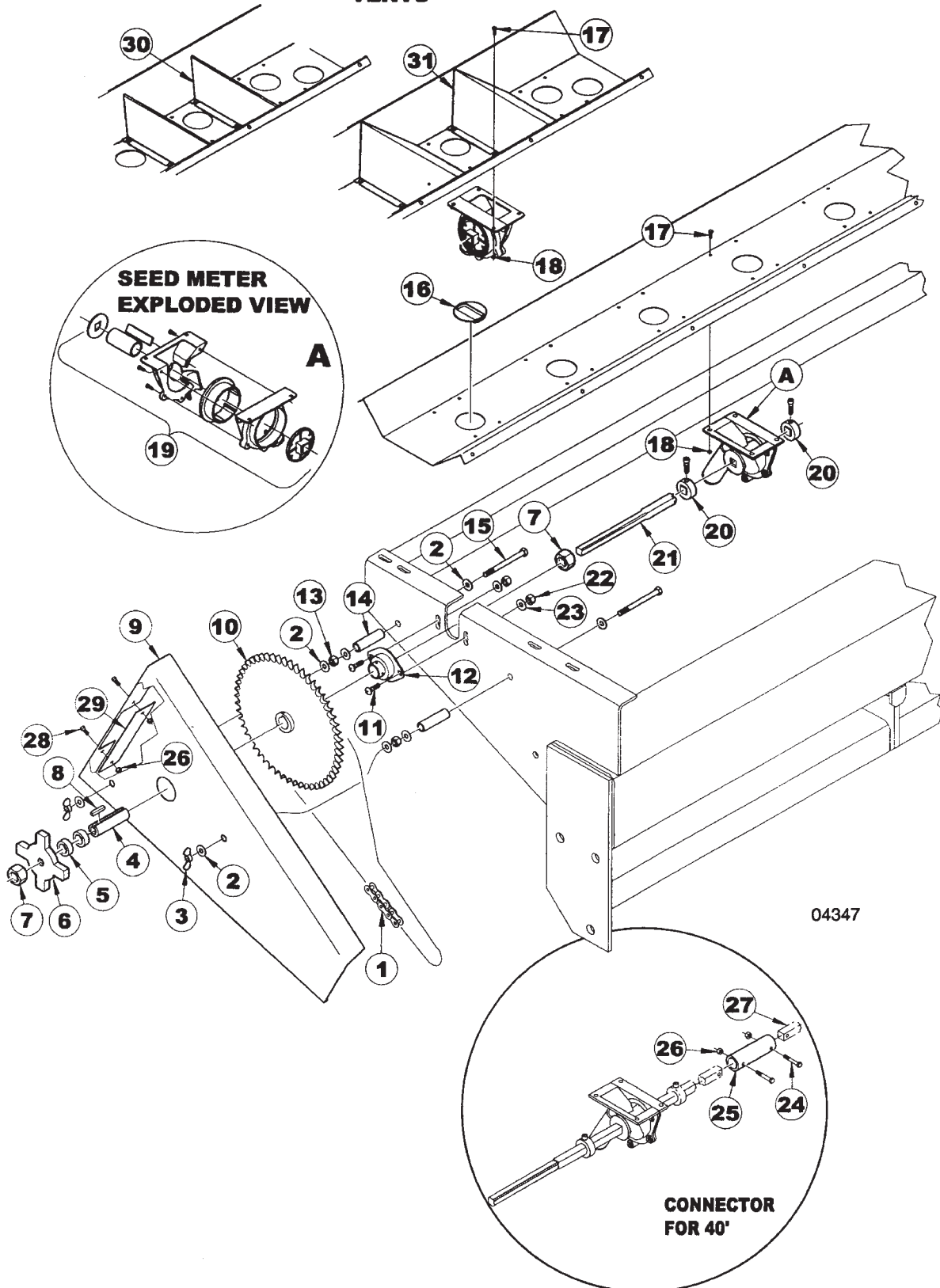
03591

ITEM	NUMBER	QTY	DESCRIPTION
1	SN9126		FRAME, GRAIN DRILL, 10'@7 1/2" & 10" SP (30' & 40')
	SN9128		FRAME, GRAIN DRILL, 15'@7 1/2" & 10" SP (40')
2	SN6939		WALKBOARD, 120" (30' & 40')
	SN6940		WALKBOARD, 112" (30')
	SN6941		WALKBOARD, 90" (40')
	SN6942		WALKBOARD, 84" (40')
3	SN5290		FLAT WASHER, 1/2", 3/16" THICK, Y/D
4	SN486		FLAT WASHER, 1/2", Y/D
5	SN7069		WALKBOARD STEP, 18"
6	SN2096		LOCK NUT, 1/2"-13 HEX NYLON INSERT
7	SN156		HEX BOLT, 1/2"-13 X 3", GR 5 Y/D
8	SN3557		QUICK PIN, 3/8" DIA X 2 1/2"
9	SN7068		WALKBOARD STEP MOUNT
10	SN6955		WALKBOARD ARM, 27 1/4" L
11	SN4738		HEX BOLT, 3/8"-16 X 2 3/4", GR 5, Y/D
12	SN317		FLAT WASHER, 3/8", Y/D
13	SN6675		CHAIN, 13" W/S-HOOK
14	SN6795		PIN, 3/8" X 3 1/4" (3 1/64"), Z/P
15	SN71L-2701		PIN CLIP, 1/2"-5/8" SHAFT, .120" DIA, 1 5/8" L
16	SNDR11507		U-BOLT, 7/16"-14 X 4" X 2 1/2"W, GR 5, Y/D
17	SN7219		MOUNT, OPERATOR'S MANUAL TUBE
18	SN3750		OPERATOR'S MANUAL TUBE
19	SN3765		HOSE CLAMP, 3 1/2"
20	SN1507		HEX BOLT, 1/2"-13 X 3 1/2", GR 5, Y/D
21	SN6673		WALKBOARD BRACKET
22	SNDR10524		LOCK NUT, 7/16"-14 HEX NYLON INSERT, Y/D
23	SN3567		LOCK NUT, 3/8"-16 HEX NYLON INSERT, GR 2, Y/D
24	SN6958R		SPACER, 1.500" OD X 1.125" ID, 1 9/16" L
25	SN6959R		SPACER, 1.00" OD X .563" ID, 1 3/4" L
26	SNDR11502		U-BOLT, 3/8"-16 X 2 5/8" X 3 1/2" W, GR 5, Y/D
27	SN178		HEX BOLT, 3/8"-16 X 1", GR 5, Y/D
28	SN9028		HOPPER BRACE
29	SN7001		SMV EMBLEM
30	SN1193		HEX BOLT, 3/8"-16 X 3/4", GR 5, Y/D
31	SN2566		S.M.V. SOCKET
32	SNBT10258		SMV BRACKET
33	SN3371		HEX BOLT, 1/2"-13 X 4", GR 5, Y/D
34	SN7179		SPACER, 1.00" OD X .563" ID, 1 5/8" L
35	SN3566		LOCK NUT, 3/8"-16 HEX CENTER, GR 2, Y/D
36	SN4843		U-BOLT, 1/2"-13 X 5 1/4" X 2 1/2" W, GR 5, Y/D

I0003591
PR: t05g30n06d0003

SEED METER SHAFT ASSEMBLY

OPTIONAL HOPPER
TENTS

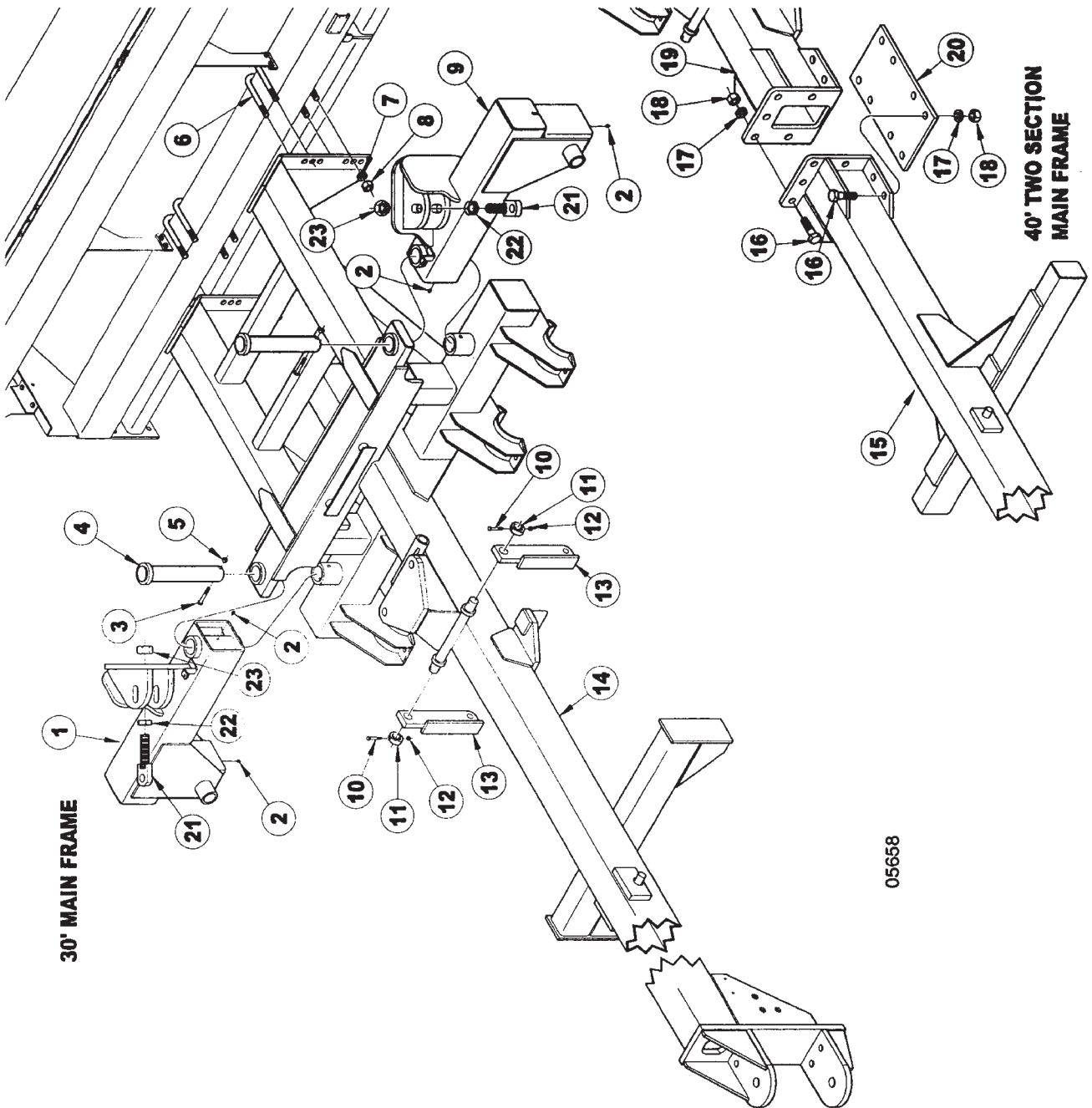


SEED METER SHAFT ASSEMBLY

ITEM	NUMBER	QTY	DESCRIPTION
1	SN9176		CHAIN, 79 3/8" L NO. 50
2	SN317		FLAT WASHER, 3/8", Y/D
3	SNDR10506		WING NUT, 3/8"-16, Y/D
4	SNDR41506		BUSHING, KEYED 1.000"OD X .630"SQ ID, 3 1/4" L, Y/D
5	SNBT10275		SPACER, 1.250" OD X .781" ID, .234" WALL, 15/32" L, Y/D
6	SNB1540		ADJUSTMENT KNOB, Y/D
7	SN1243		JAM NUT, 3/4"-10 HEX, GR 2, Y/D
8	SNDR41509		KEY, 1/4" X 1 1/4" SPROCKET
9	SN9190		CHAIN GUARD, RIGHT
	SN9191		CHAIN GUARD, LEFT
10	SNDR40506		SPROCKET, 54 TOOTH, 1" BORE #50 CHAIN
11	SN6376		CARRIAGE BOLT, 5/16"-18 X 1" GR 5, Y/D
12	SNDR30009		BEARING, 1" LFST
13	SN177		HEX NUT, 3/8"-16 FULL, GR 2, Y/D
14	SNB2620		SPACER, .750" OD X .500" ID, .125" WALL, 2 5/8" L
15	SNDR10026		HEX BOLT, 3/8"-16 X 4" GR 5, Y/D
16	SNDR12017		PLUG, SEED METER
17	SN9076		HEX BOLT, NO. 10-24 X 1/2", GR 2, Y/D
18	SN10326		NUT, 10-24 UNC HEX HEAD W/LOCKWASHER
19	SNA0012		SEED METER ASSEMBLY
20	SN6581		LOCKING COLLAR, 1 1/2" OD X 7/8" ID X 9/16" L W/CAP SCREW
21	SNB1598		SHAFT, 94", 5/8" SQ
	SN9188		SHAFT, 124 3/4", 5/8" SQ
22	SN6378		LOCK NUT, 5/16" HEX NYLON INSERT GR 5, Y/D
23	SN6377		FLAT WASHER, 5/16" Y/D
24	SN1550		HEX BOLT, 1/4"-20 X 2", GR 2 Y/D
25	SN9189		CONNECTOR, METER SHAFT, 5" L
26	SN3881		LOCK NUT, 1/4"-20 HEX NYLON INSERT, GR 2, Y/D
27	SNB1599		SHAFT, 88 1/4", 5/8" SQ
28	SN9045		HEX BOLT, 1/4"-20 X 1/2" GR 5, Y/D
29	SN9192R		COVER PLATE, CHAIN GUARD
30	SN9785		SEED BOX TENT, 7 1/2" SP
31	SN9786		SEED BOX TENT, 10" SP

I0004347
PR: t05g30n06d0004

MAIN FRAME ASSEMBLY

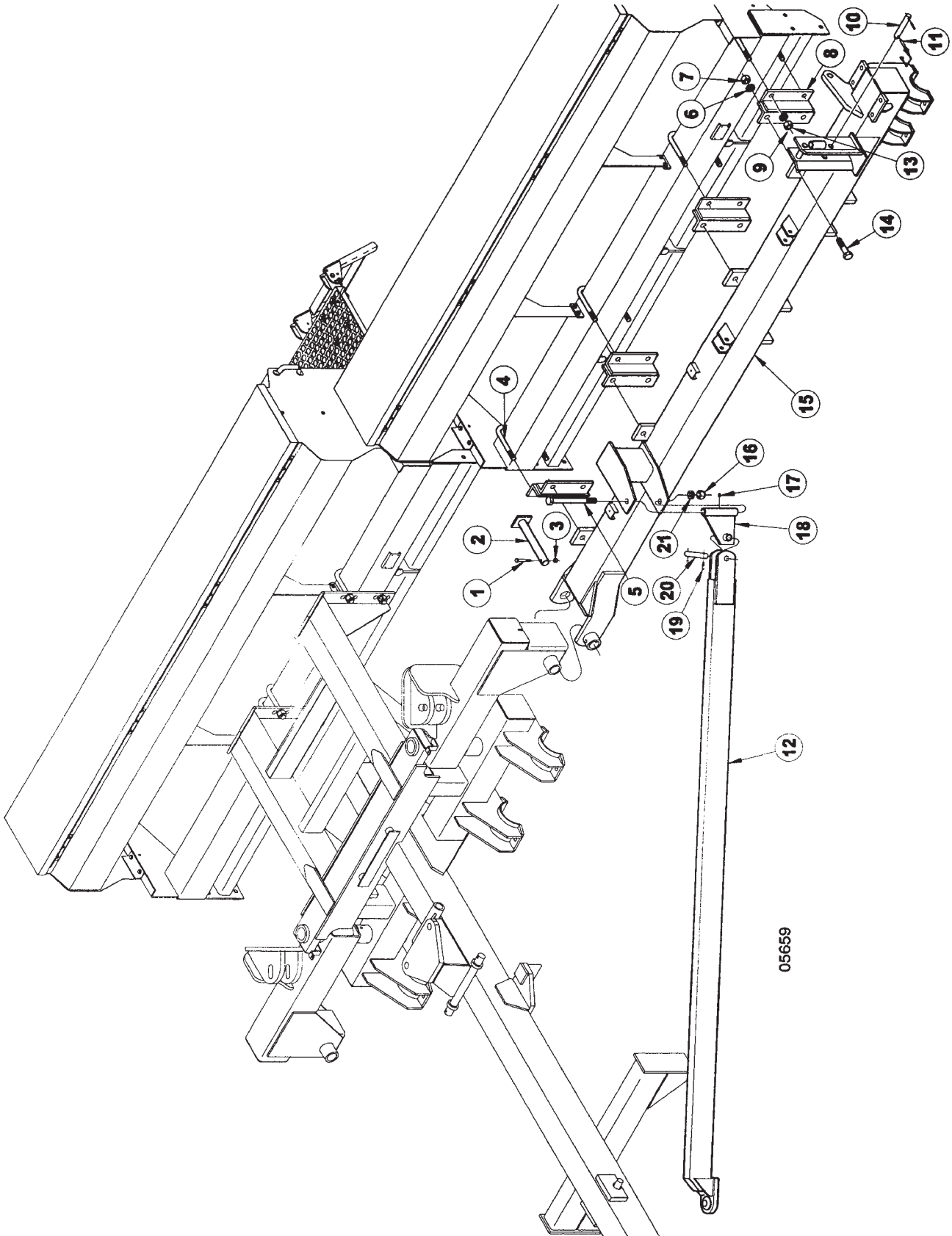


05658

ITEM	NUMBER	QTY	DESCRIPTION
1	SN9896		SHORT WING, 9433, RIGHT
2	SN2098-1		GREASE ZERK, 1/8" NPTF, 5/8" L
3	SN140		HEX BOLT, 1/2"-13 X 4 1/2", GR 5, Y/D
4	SN6477		PIN, 2 1/2" X 14 1/4"
5	SN2096		LOCK NUT, 1/2"-13 HEX NYLON INSERT
6	SNDR80044		U-BOLT, 7/8"-9 X 8 3/4" X 7 15/16" W, GR 5, Y/D
7	SN396		LOCK WASHER, 7/8" SPLIT TYPE MED, Y/D
8	SN397		HEX NUT, 7/8"-9 FULL, GR 2, Y/D
9	SN9897		SHORT WING, 9433, LEFT
10	SN4738		HEX BOLT, 3/8"-16 X 2 3/4", GR 5, Y/D
11	SN6478		COLLAR, 3/4"
12	SN3567		LOCK NUT, 3/8"-16 HEX NYLON INSERT, GR 2, Y/D
13	SN10321R		CYLINDER LINK (USED ON 30' MODELS)
	SN9261		CYLINDER LINK (USED ON 40' MODELS)
14	SN9909		MAIN FRAME, 9433-30, GRAIN DRILL
15	SN9895R		MAIN FRAME, FRONT, 9433-40
16	SN9271		HEX BOLT, 1 1/8"-7 X 3 1/2" GR5, Y/D
17	SN2561		LOCK WASHER, 1 1/8" SPLIT TYPE MED, Y/D
18	SN1300		HEX NUT, 1 1/8"-7 FULL, GR 2, Y/D
19	SN9900		MAIN FRAME, BACK, 9433-40
20	SN9268		TIE PLATE
21	SN9915		ADJUSTABLE CYLINDER STOP
22	SN2079		JAM NUT, 1 1/2"-6 HEX, GR 2, Y/D
23	SN1978		HEX NUT, 1 1/2"-6 FULL, GR 2, Y/D

I0005658
PR: t05g30n06d0005

LEFT WING FRAME ASSEMBLY



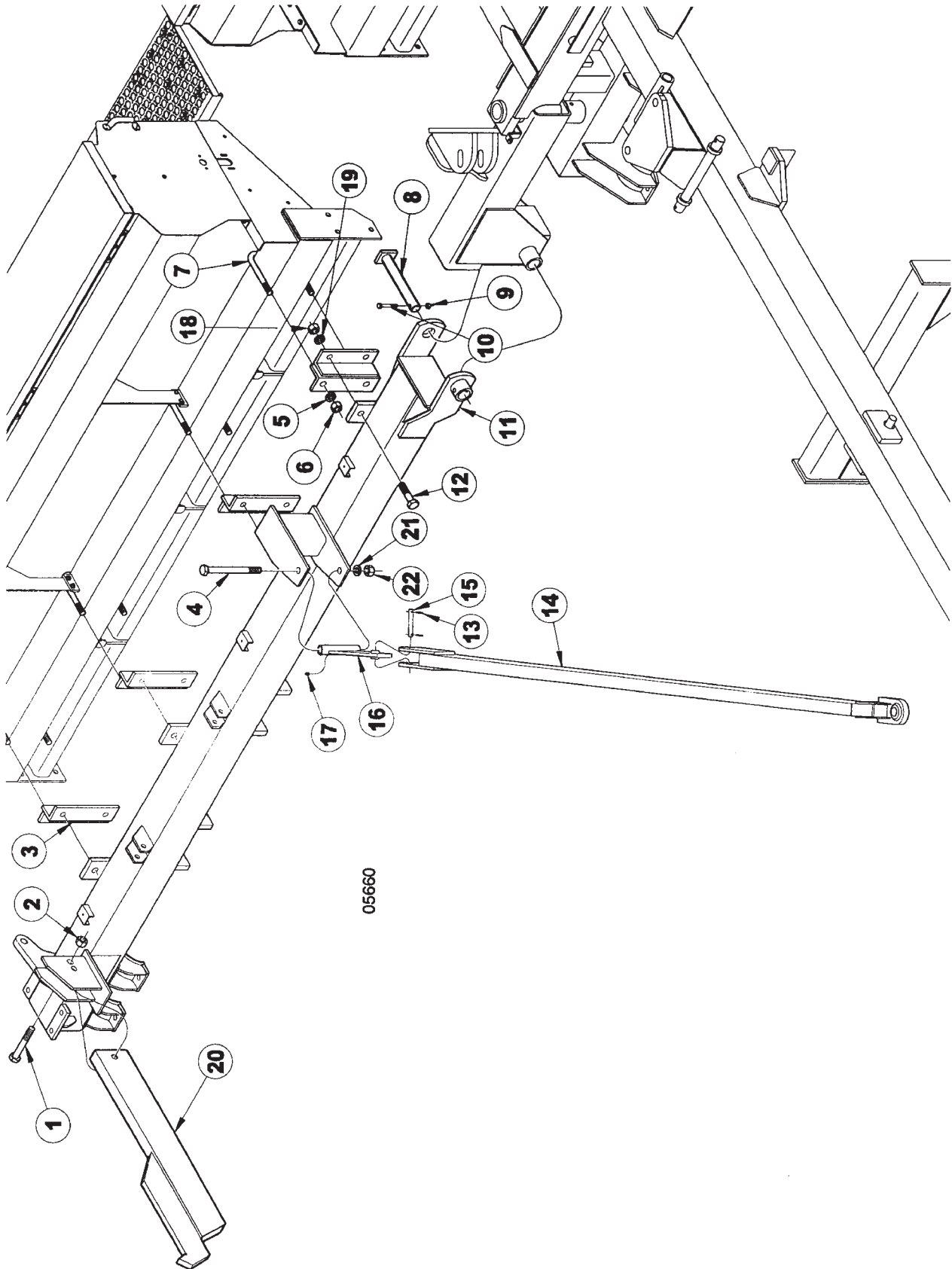
05659

LEFT WING FRAME ASSEMBLY

ITEM	NUMBER	QTY	DESCRIPTION
1	SN3065		HEX BOLT, 5/8"-11 X 4", GR 5, Y/D
2	SN9140		PIN, 2" X 15 3/4" (13 1/4")SQ HEADED
3	SN669-1		LOCK NUT, 5/8" HEX NYLON INSERT, GR 5, Y/D
4	SNDR80044		U-BOLT, 7/8"-9 X 8 3/4" X 7 15/16" W, GR 5, Y/D
5	SNFK150272		HEX BOLT, 1 1/4"-7 X 10", GR 5, Y/D
6	SN1283		LOCK WASHER, 1" SPLIT TYPE MED, Y/D
7	SN110		HEX NUT, 1"-8 FULL, GR 5, Y/D
8	SN6757		MOUNTING BRACKET
9	SN396		LOCK WASHER, 7/8" SPLIT TYPE MED, Y/D
10	SNDR12031		PIN, 1" X 6" (4 1/4"), Y/D W/ROLL PIN
11	SN3564		WIRE LOCK PIN, 3/8" X 1 1/2"
12	SN9907		WING BRACE, 9433-30
	SN6776		WING BRACE, 40'
13	SN397		HEX NUT, 7/8"-9 FULL, GR 2, Y/D
14	SN1918		HEX BOLT, 1"-8 X 2 1/2", GR 5 Y/D
15	SN9906R		WING FRAME, 9433-30 GRAIN DRILL, LT
	SN9904R		WING FRAME, 9433-40 GRAIN DRILL, LT
16	SNFK150144		HEX NUT, 1 1/4"-7, GR 2, Y/D
17	SN2098-1		GREASE ZERK, 1/8" NPTF, 5/8" L
18	SN6785		WING BRACE SWIVEL
19	SN3164		ROLL PIN, 5/16" X 2" SPIRAL MEDIUM DUTY, Y/D
20	SN5341		PIN, 1 1/4" X 4 5/16" (3 1/4") Y/D
21	SNFK150157		LOCK WASHER, 1 1/4", Y/D

I0005659
PR: t05g30n06d0006

RIGHT WING FRAME ASSEMBLY

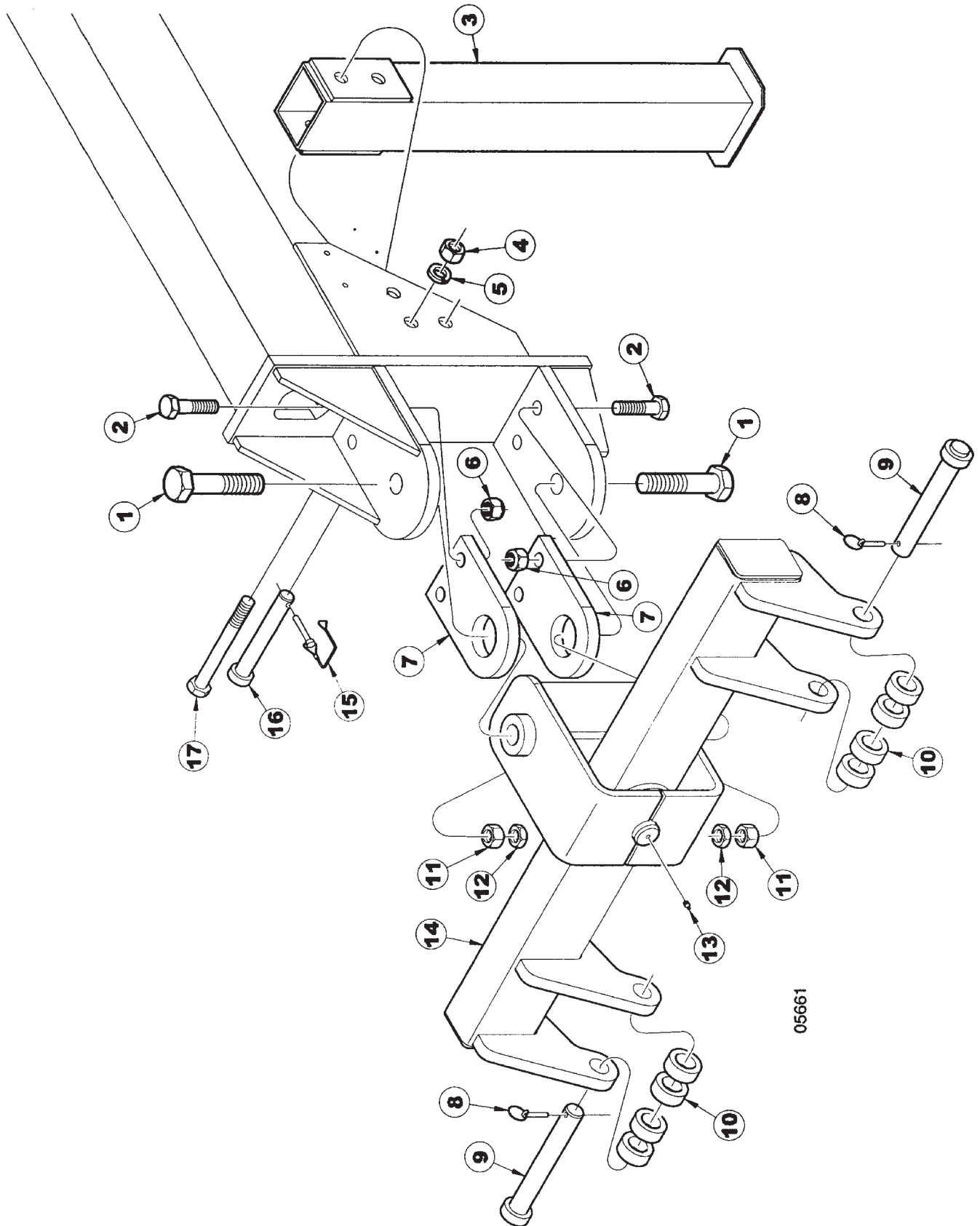


RIGHT WING FRAME ASSEMBLY

ITEM	NUMBER	QTY	DESCRIPTION
1	SN1678		HEX BOLT, 1"-8 X 4 1/2", GR 5 Y/D
2	SN3938		LOCK NUT, 1"-8 HEX NYLON
3	SN6757		MOUNTING BRACKET
4	SNFK150272		HEX BOLT, 1 1/4"-7 X 10", GR 5, Y/D
5	SN396		LOCK WASHER, 7/8" SPLIT TYPE MED, Y/D
6	SN397		HEX NUT, 7/8"-9 FULL, GR 2, Y/D
7	SNDR80044		U-BOLT, 7/8"-9 X 8 3/4" X
8	SN9140		PIN, 2" X 15 3/4" (13 1/4")SQ HEADED
9	SN669-1		LOCK NUT, 5/8" HEX NYLON
10	SN3065		HEX BOLT, 5/8"-11 X 4", GR 5, Y/D
11	SN9905R		WING FRAME, 9433-30 GRAIN DRILL, RT
	SN9903R		WING FRAME, 9433-40 GRAIN DRILL, RT
12	SN1918		HEX BOLT, 1"-8 X 2 1/2", GR 5 Y/D
13	SN3164		ROLL PIN, 5/16" X 2" SPIRAL MEDIUM DUTY, Y/D
14	SN9907		WING BRACE, 9433-30
	SN6776		WING BRACE, 40'
15	SN5341		PIN, 1 1/4" X 4 5/16" (3 1/4") Y/D
16	SN6785		WING BRACE SWIVEL
17	SN2098-1		GREASE ZERK, 1/8" NPTF, 5/8" L
18	SN110		HEX NUT, 1"-8 FULL, GR 5, Y/D
19	SN1283		LOCK WASHER, 1" SPLIT TYPE MED, Y/D
20	SN6506		TRANSPORT BAR
21	SNFK150157		LOCK WASHER, 1 1/4", Y/D
22	SNFK150144		HEX NUT, 1 1/4"-7, GR 2, Y/D

I0005660
PR: t05g30n06d0007

2-POINT HITCH ASSEMBLY



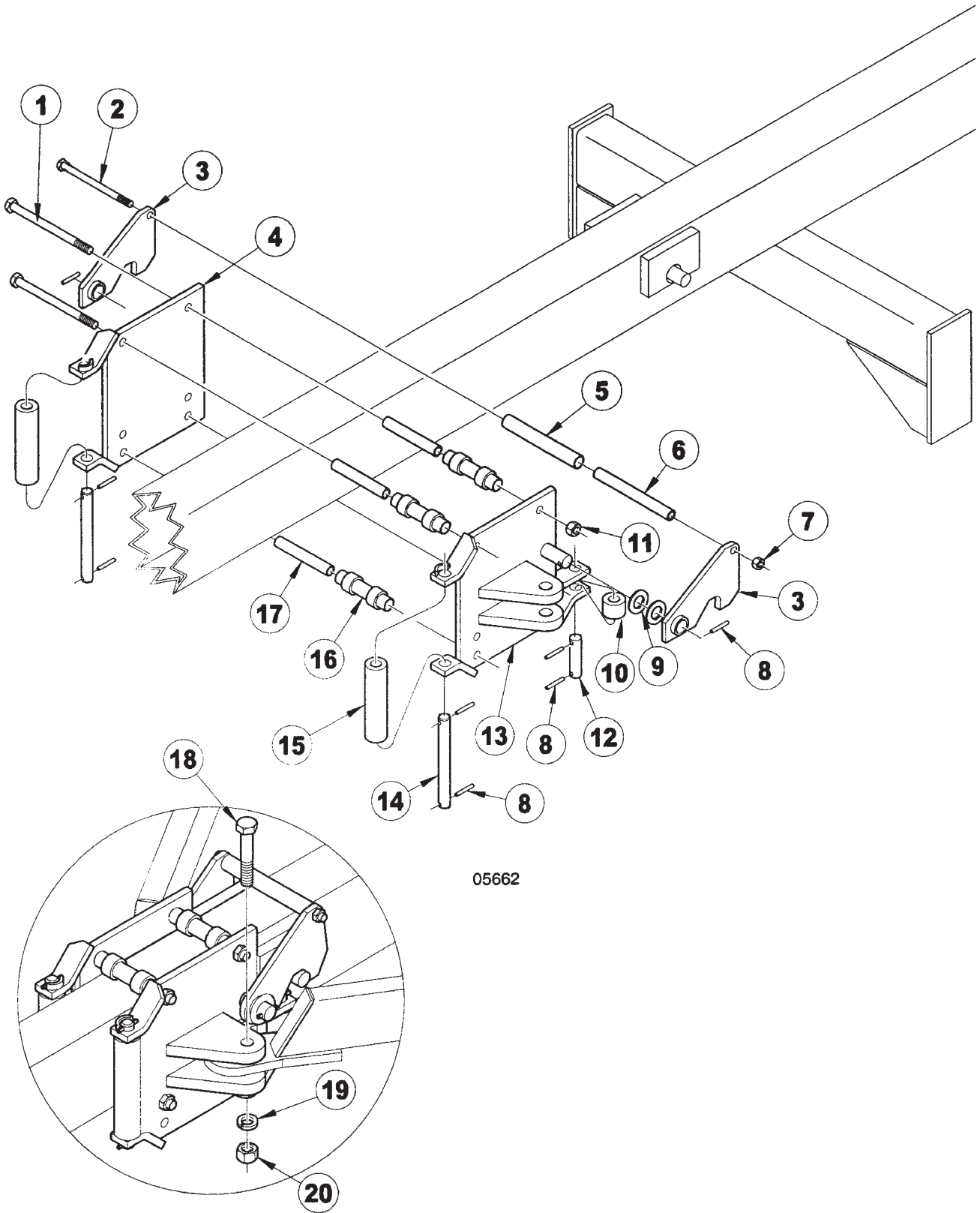
05661

2-POINT HITCH ASSEMBLY

ITEM	NUMBER	QTY	DESCRIPTION
1	SNFK150261		HEX BOLT, 1 1/2"-6 X 6" GR 5, Y/D
2	SN155		HEX BOLT, 1"-8 X 3 1/2", GR 5 Y/D
3	SN6470		PARKING STAND, 30' & 40'
4	SN110		HEX NUT, 1"-8 FULL, GR 5, Y/D
5	SN1283		LOCK WASHER, 1" SPLIT TYPE MED, Y/D
6	SN3938		LOCK NUT, 1"-8 HEX NYLON
7	SN9914		HITCH MOUNTING PLATE
8	SN1860		PIN, 7/16" X 11/32" DIA, 2" L, KLIK
9	SN6817		PIN, 1 7/16" X 10 3/8"
10	SN6818R		SPACER, 2.500" OD X 1.532" ID, 1" L
11	SN1978		HEX NUT, 1 1/2"-6 FULL, GR 2, Y/D
12	SN2079		JAM NUT, 1 1/2"-6 HEX, GR 2, Y/D
13	SN2098-1		GREASE ZERK, 1/8" NPTF, 5/8" L
14	SN9889		TWO POINT HITCH, 2" DIA PIN
15	SN3564		WIRE LOCK PIN, 3/8" X 1 1/2"
16	SNB30001		PIN, 1" X 8 3/8" (6 15/16")
17	SN3485		HEX BOLT, 1"-8 X 8", GR 5, Y/D

I0005661
PR: t05g30n06d0008

SLIDE LOCK ASSEMBLY



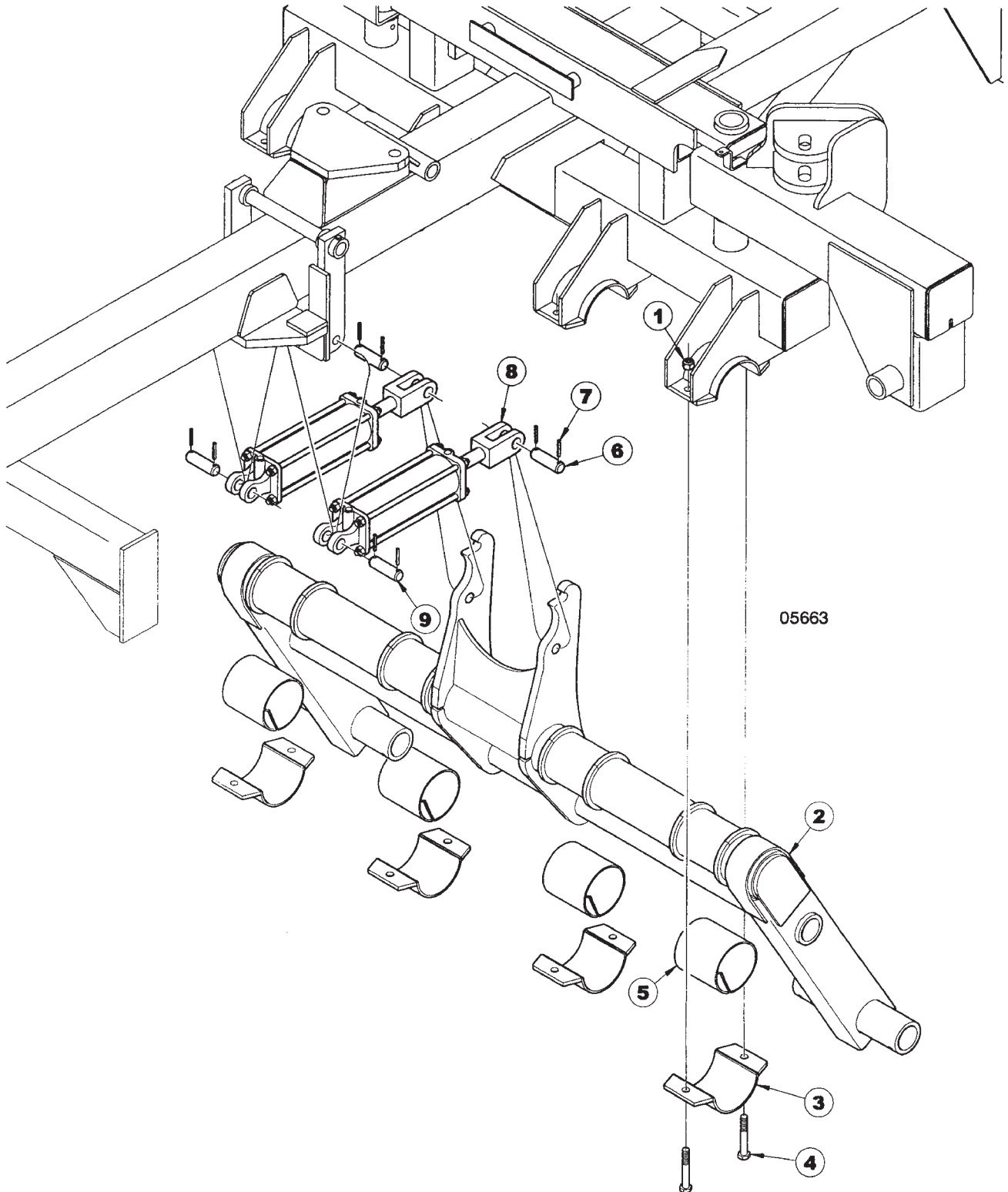
05662

SLIDE LOCK ASSEMBLY

ITEM	NUMBER	QTY	DESCRIPTION
1	SN2148		HEX BOLT, 3/4"-10 X 8 1/2", GR 5, Y/D
2	SNFK150274		HEX BOLT, 5/8"-11 X 11" GR 5, Y/D
3	SN9729		SLIDE HOOK
4	SN9727		SLIDE LOCK PLATE, RIGHT
5	SN6799		SLIDE LOCK ROLLER, 9"
6	SN6800		CLAMP BUSHING, 9 1/4"
7	SN669-1		LOCK NUT, 5/8" HEX NYLON
8	SN3164		ROLL PIN, 5/16" X 2" SPIRAL MEDIUM DUTY, Y/D
9	SNFK150172		FLAT WASHER, 1 1/4" SAE, Y/D
10	SN9731		SLIDE LOCK ROLLER, 3 7/16"
11	SNHEN3410		LOCK NUT, 3/4" HEX NYLON
12	SN9730		ROLLER SHAFT, SHORT
13	SN9728		SLIDE LOCK PLATE, LEFT
14	SN9732		ROLLER SHAFT, LONG
15	SN9733		SLIDE LOCK ROLLER, 9"
16	SN6779		SLIDE LOCK ROLLER, 6 1/8"
17	SN6782		CLAMP BUSHING, 6 3/8"
18	SN3051		HEX BOLT, 1 1/8"-7 X 5 1/4", GR 5, Y/D
19	SN2561		LOCK WASHER, 1 1/8" SPLIT TYPE MED, Y/D
20	SN1300		HEX NUT, 1 1/8"-7 FULL, GR 2, Y/D

I0005662
PR: t05g30n06d0009

CENTER LIFT ASSEMBLY

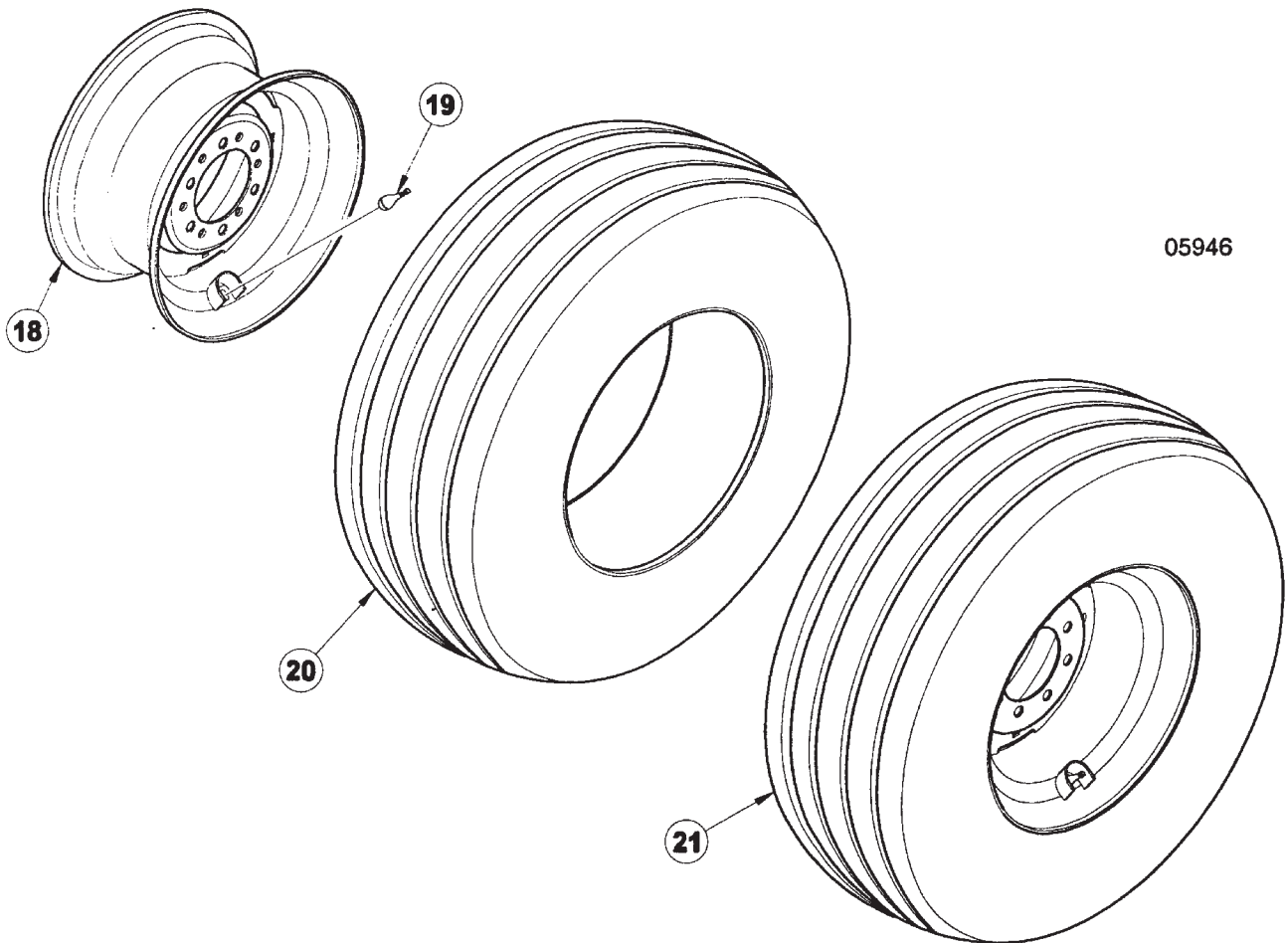
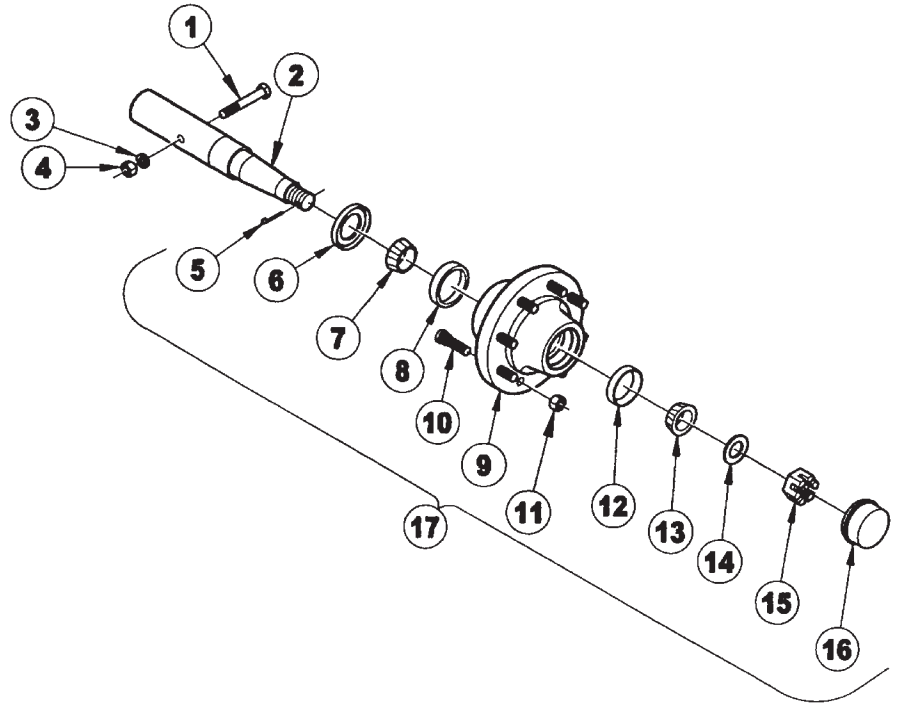


ITEM	NUMBER	QTY	DESCRIPTION
1	SNHEN3410		LOCK NUT, 3/4" HEX NYLON
2	SN9894R		CENTER LIFT,9433-30 & 40 GRAIN DRILL
3	SN9898		BEARING CAP
4	SN1122		HEX BOLT, 3/4"-10 X 2 1/2", GR 5, Y/D
5	SN7325		BEARING, LIFT (SPLIT) 6" WIDE
6	SN5339		PIN, 1" X 4 1/16" (3"), Y/D (USED WITH VERSION 1, & 10814R CYLINDERS)
	SN12188		PIN, 1" X 4 9/16" (3 1/2"), Y/D (USED WITH 12014R VERSION 2 CYLINDERS)
7	SN3164		ROLL PIN, 5/16" X 2" SPIRAL MEDIUM DUTY, Y/D
8	SN4430R		CYLINDER, 4" X 10" REPH (22 1/4" CPC) CROSS 30' (*VERSION 1, PRIOR TO 6/23/03)
	SN10814		CYLINDER, 4" X 10" REPH (22 1/4" CPC) CROSS, 3000 PSI 30' (*VERSION 2, 6/23/03 & LATER)
	SN7419		CYLINDER, 4 1/2" X 10" REPH (22 1/4" CPC) ORB CROSS 40' (*VERSION 1, PRIOR TO 12/12/03)
	SN12014		CYLINDER, 4 1/2" X 10" REPH (22 1/4" CPC), 3000 PSI 40' (*VERSION 2, 12/12/03 & LATER)
9	SN5339		PIN, 1" X 4 1/16" (3"), Y/D

NOTE: *WHEN ORDERING HYDRAULIC CYLINDER COMPONENTS, BE SURE TO NOTE THE PART # AND THE CYLINDER PSI. (LOCATED ON THE CYLINDER DECAL) AS THEY CONTAIN DIFFERENT COMPONENTS. OLDER CYLINDERS WERE 2500 PSI. AND THE NEWER CYLINDERS ARE 3000 PSI. IDENTIFYING THE PART # OF THE CYLINDER IS EXTREMELY IMPORTANT WHEN ORDERING PARTS TO ENSURE PROPER OPERATION OF THE HYDRAULIC CYLINDER.

I0005663
PR: t05g30n06d0010

CENTER LIFT SPINDLE & WHEEL ASSEMBLY



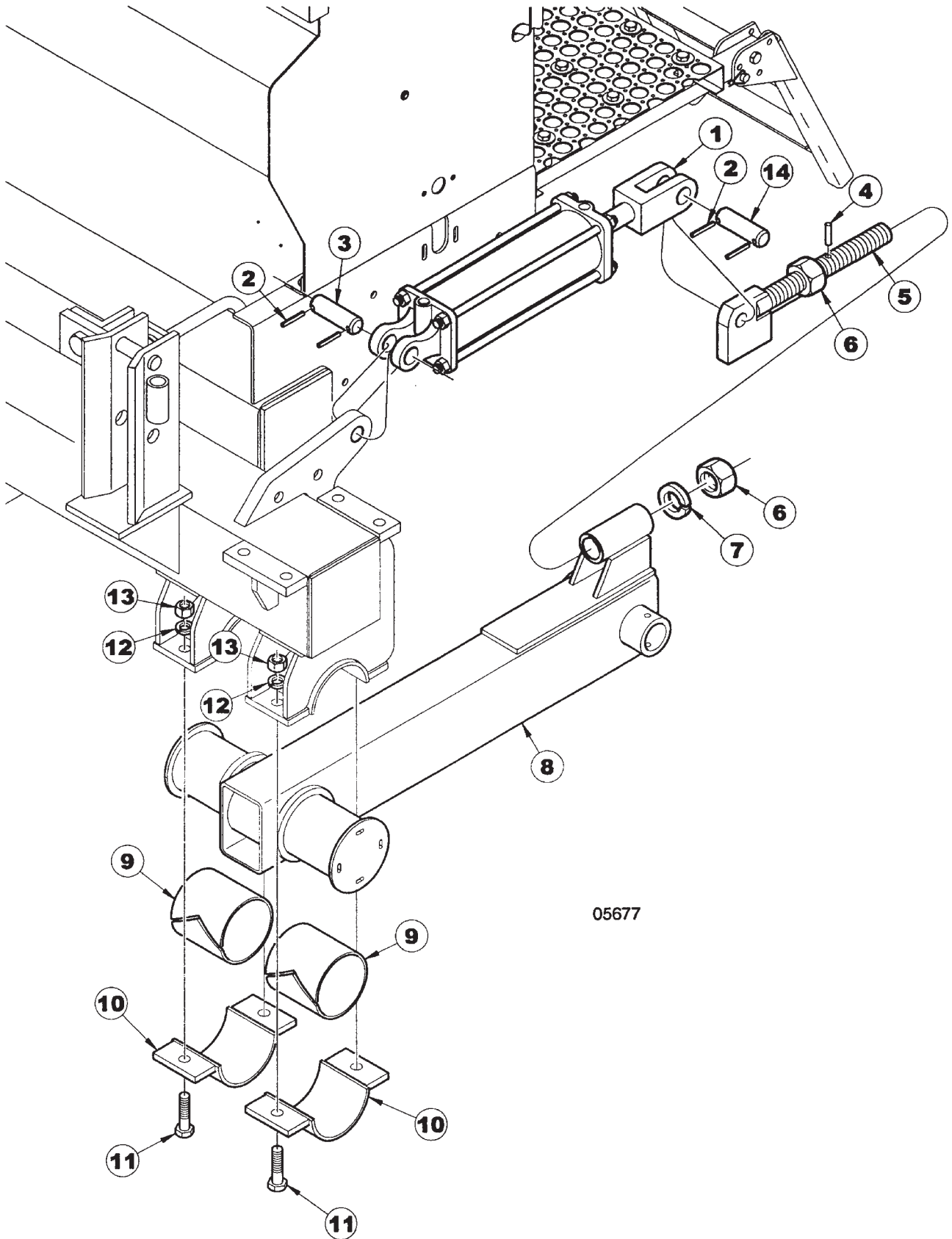
05946

CENTER LIFT SPINDLE & WHEEL ASSEMBLY

ITEM	NUMBER	QTY	DESCRIPTION
1	SN140		HEX BOLT, 1/2"-13 X 4 1/2", GR 5, Y/D
2	SN6555		SPINDLE, 2 3/4" X 14 47/64" L (30')
	SN5621		SPINDLE, 2 3/4" X 15 5/16"L (40')
3	SN113		LOCK WASHER, 1/2" SPLIT TYPE MED, Y/D
4	SN114		HEX NUT, 1/2"-13 FULL, GR 2, Y/D
5	SN3066		COTTER PIN, 7/32" X 1 1/2" (30')
	SN1609		COTTER PIN, 3/16" X 1 1/2" (40')
6	SN3301		TRIPLE LIP SEAL (30')
	SNFK310064		SEAL, 8-BOLT (40')
7	SN3683		BEARING(LM603049) (30')
	SNFK310062		BEARING (JLM506849) (40')
8	SN3684		RACE (LM603011) (30')
	SNFK310063		RACE (JLM506810) (40')
9	SN3685		EIGHT BOLT HUB, STUDDERED W/CUPS ZERK AND LUG NUTS, PAINTED (30')
	SNFK340163		EIGHT BOLT HUB, STUDDERED W/CUPS AND LUG NUTS, PAINTED (40')
10	SNFK340167		LUG BOLT, 5/8"-18 X 2 1/4"
11	SNFK340168		LUG NUT, 5/8"-18, GR 5, 90 DEGTAPER, Y/D
12	SN1605		RACE (LM67010) (30')
	SN1936		RACE (LM501310) (40')
13	SN1606		BEARING (LM67048) (30')
	SN1935		BEARING (LM501349) (40')
14	SN3303		WASHER, 1 1/32" ID X 1 3/4" ODX 1/8" THICK, PLAIN (30')
	SNFK340165		WASHER, 1 1/16" ID X 2 1/8" OD X 1/4" THICK, PLAIN (40')
15	SN3302		HEX NUT, 1"-14 FULL SLOTTED GR 2, PLAIN
16	SN1610		DUST CAP, 2.448" OD, Y/D (30')
	SNFK340162		DUST CAP, 3.125" OD, Y/D (40')
17	SN3686		8 BOLT HUB ASSEMBLY (30') (INCLUDES ITEMS 5-16)
	SNFK800384		EIGHT BOLT HUB ASSY. (40') (INCLUDES ITEMS 5-16)
18	SN3688Y		WHEEL, 15 X 10, 8 BOLT
19	SN3577		VALVE STEM (30' ONLY)
20	SN3581		TIRE, 11L X 15, 12-PLY (30')
	SN5578		TIRE, 12.5L X 15, (GY-FI-F) (40')
21	SN5228		TIRE, 11L 12 PLY TUBELESS W/15 X 10 WHEEL ASSY 8 BOLT (30')
	SN5555		TIRE, 12.5L (GY-FI-F) W/15X10 WH ASSY 8 BT (40')

I0005946
PR: t05g30n06d0011

WING LIFT ASSEMBLY



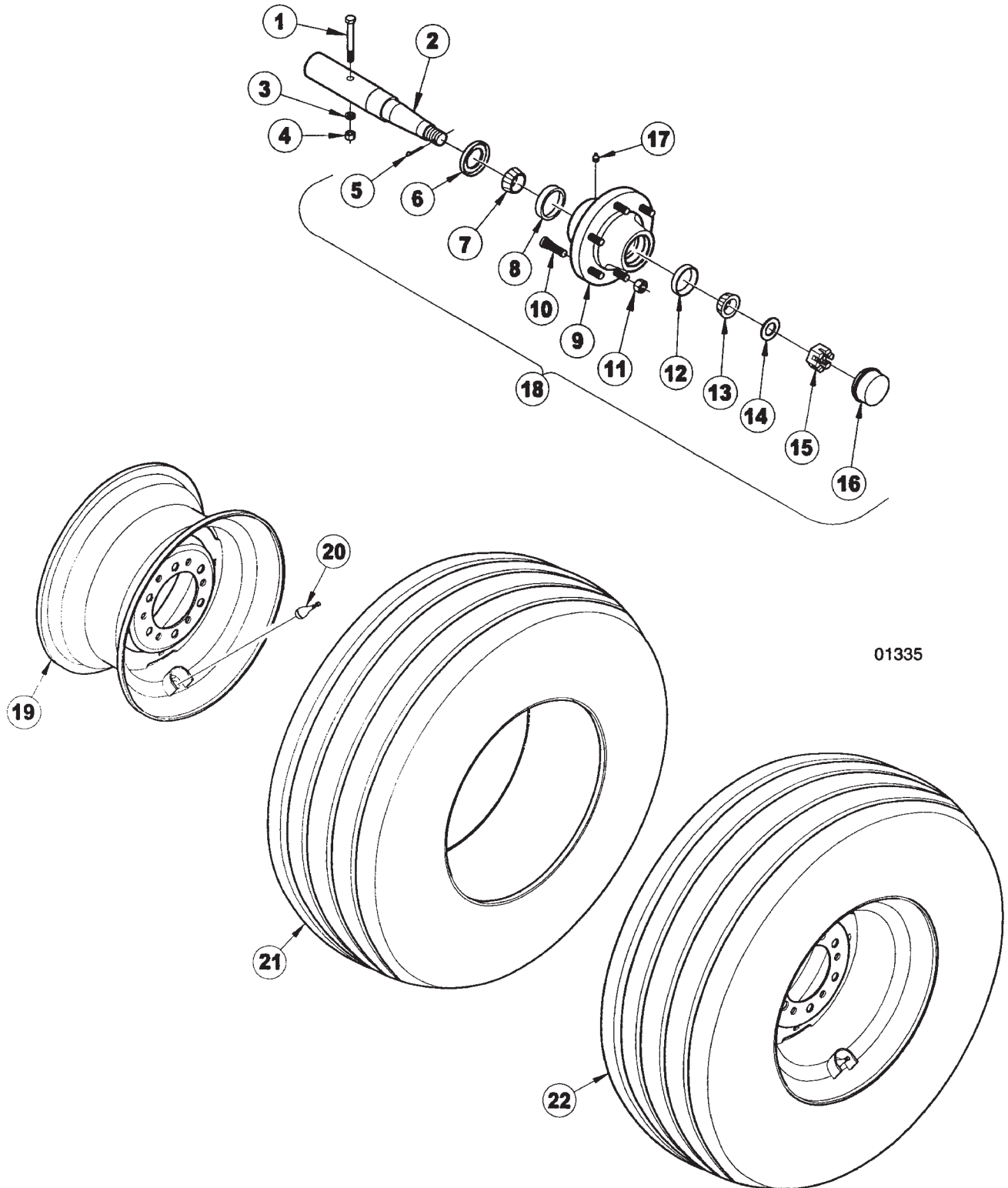
05677

ITEM	NUMBER	QTY	DESCRIPTION
1	SN4431R		CYLINDER, 3 3/4" X 10" REPH. (22 1/4" CPC) CROSS (30') (*VERSION 1, PRIOR TO 4/09/03)
	SN10815		CYLINDER, 3 3/4" X 10" REPH (22 1/4" CPC) CROSS,3000 PSI (30') (*VERSION 2, 4/09/03 & LATER)
	SN7104		CYLINDER, 4 1/4" X 10" REPHAS-ING (22 1/4" CPC) ORB(40') (*VERSION 1, PRIOR TO 1/19/04)
	SN12013		CYLINDER, 4 1/4" X 10" REPH (22 1/4" CPC) ORB, 3000 PSI (40') (*VERSION 2, 1/19/04 & LATER)
2	SN3164		ROLL PIN, 5/16" X 2" SPIRAL MEDIUM DUTY, Y/D
3	SN5339		PIN, 1" X 4 1/16" (3"), Y/D
4	SN4623		GUIDE PIN
5	SN6155		ADJUSTMENT BOLT
6	SN1978		HEX NUT, 1 1/2"-6 FULL, GR 2, Y/D
7	SN2085		LOCK WASHER, 1 1/2" SPLIT TYPE MED, Y/D
8	SN9908		LIFT ARM, 9433-30 & 40, GRAIN DRILL
9	SN6425		BEARING, LIFT (SPLIT)
10	SN6301		BEARING CAP
11	SN1122		HEX BOLT, 3/4"-10 X 2 1/2", GR 5, Y/D
12	SN1040		LOCK WASHER, 3/4" SPLIT TYPE MED, Y/D
13	SN106		HEX NUT, 3/4"-10 FULL, GR 5, Y/D
14	SN5339		PIN, 1" X 4 1/16" (3"), Y/D (USED WITH VERSION 1 & 10815R CYLINDERS)
	SN12188		PIN, 1" X 4 9/16" (3 1/2"), Y/D (USED WITH 12013R VERSION 2 CYLINDERS)

NOTE: *WHEN ORDERING HYDRAULIC CYLINDER COMPONENTS, BE SURE TO NOTE THE PART # AND THE CYLINDER PSI. (LOCATED ON THE CYLINDER DECAL) AS THEY CONTAIN DIFFERENT COMPONENTS. OLDER CYLINDERS WERE 2500 PSI. AND THE NEWER CYLINDERS ARE 3000 PSI. IDENTIFYING THE PART # OF THE CYLINDER IS EXTREMELY IMPORTANT WHEN ORDERING PARTS TO ENSURE PROPER OPERATION OF THE HYDRAULIC CYLINDER.

I0005677
PR: t05g30n06d0012

WING LIFT SPINDLE & TIRE ASSEMBLY

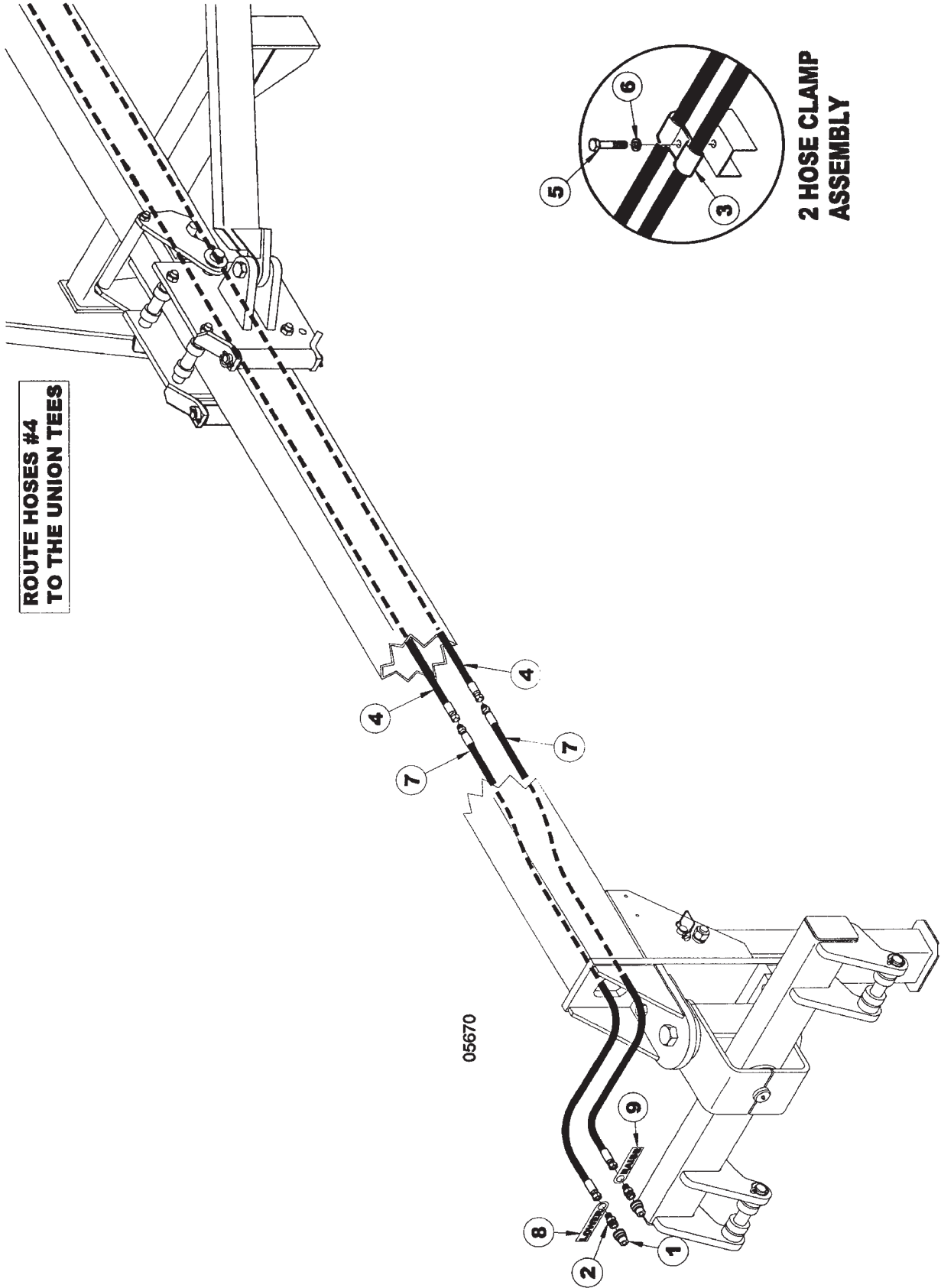


WING LIFT SPINDLE & TIRE ASSEMBLY

ITEM	NUMBER	QTY	DESCRIPTION
1	SN2585		HEX BOLT, 7/16"-14 X 3 1/2", GR 5, Y/D
2	SN3298		SPINDLE, 2" X 11 1/4"
3	SN302		LOCK WASHER, 7/16" SPLIT TYPE MED, Z
4	SN303		HEX NUT, 7/16"-14 FULL, GR 2, Y/D
5	SN3066		COTTER PIN, 7/32" X 1 1/2"
6	SN3301		TRIPLE LIP SEAL
7	SN1935		BEARING (LM501349)
8	SN1936		RACE (LM501310)
9	SN1937		SIX BOLT HUB, STUDDED W/CUPS AND LUG NUTS, PAINTED
10	SN3118		LUG BOLT, 9/16"-18 X 1 7/8" PRESS IN, PL
11	SN3117		LUG NUT, 9/16"-18, GR 5, 90 DEG TAPER, Y/D
12	SN1605		RACE (LM67010)
13	SN1606		BEARING (LM67048)
14	SN3303		WASHER, 1 1/32" ID X 1 3/4" ODX 1/8" THICK, PLAIN
15	SN3302		HEX NUT, 1"-14 FULL SLOTTED GR 2, PLAIN
16	SN1610		DUST CAP, 2.448" OD, Y/D
17	SN2098-6		GREASE ZERK, 1/4"-28, 17/32" L
18	SN3300		SIX BOLT HUB ASSEMBLY W/3301 SEAL (INCLUDES ITEMS 5-16)
19	SN5094		WHEEL, 15 X 6, 6-BOLT
20	SN3577		VALVE STEM
21	SN3579		TIRE, 9.5L X 15, 12 PLY,
22	SN5152		TIRE, 9.5L 12 PLY TUBELESS W/ 15 X 6 WH ASSY 6 BT

I0001335
PR: t05g30n06d0013

MAIN FRAME LIFT HYDRAULICS



ROUTE HOSES #4
TO THE UNION TEES

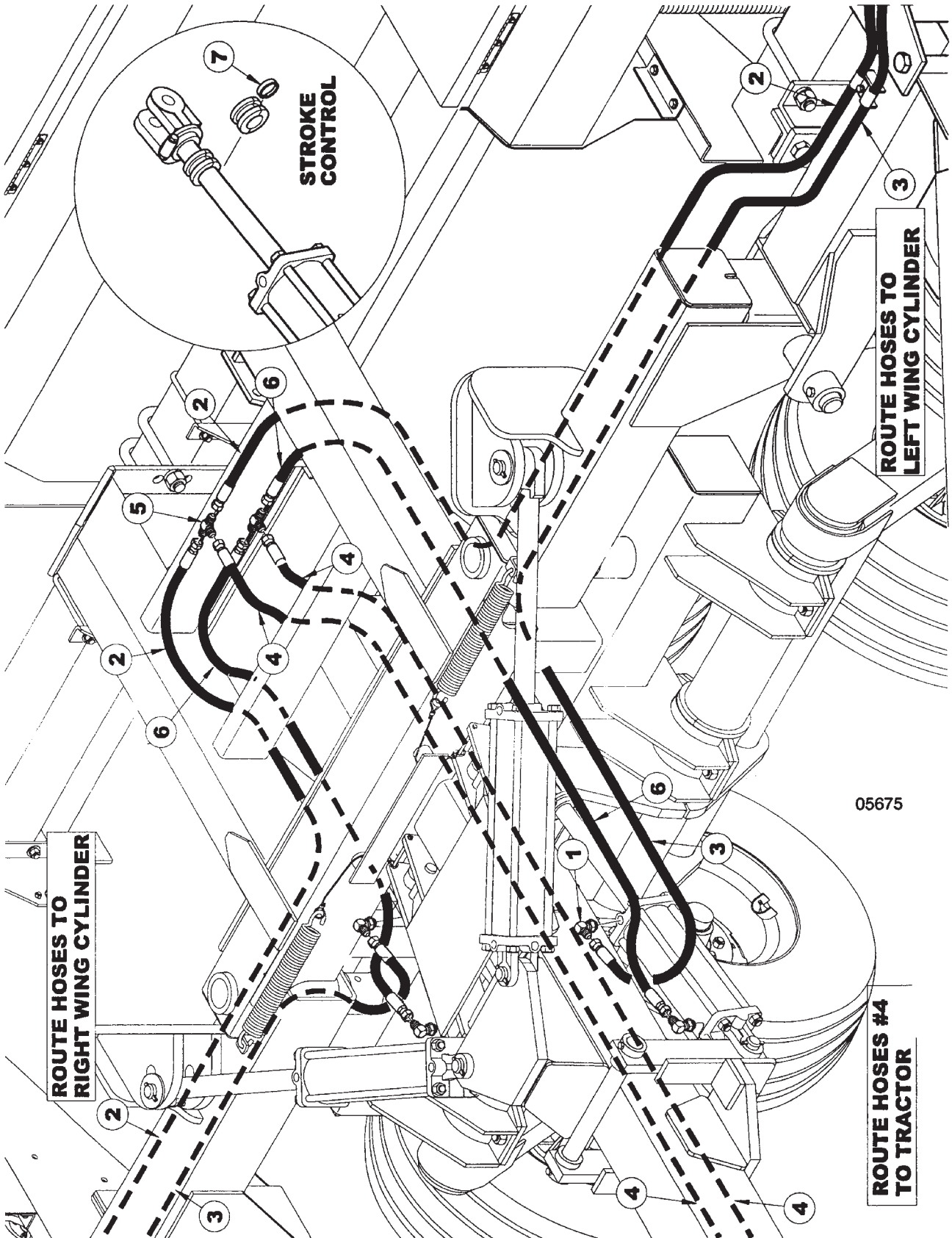
2 HOSE CLAMP
ASSEMBLY

05670

ITEM	NUMBER	QTY	DESCRIPTION
1	SN3253		HYDRAULIC COUPLER, MALE HALF
2	SN2426		MALE CONNECTOR, 7/8"-14 MF X 1/2-14 MPT
3	SN5302		PIPE CLAMP, 3/8" BOLT HOLE
4	SN4198005		HOSE, 1/2" X 198" L, FEMALE ENDS
5	SN3984		HEX BOLT, 3/8"-16 X 1 1/4", GR 5, Y/D
6	SN176		LOCK WASHER, 3/8" SPLIT TYPE MED, Y/D
7	SN4100006		HOSE, 1/2" X 100" L, M/F ENDS (30')
	SN4168006		HOSE, 1/2" X 168" L, M/F ENDS (40')
			WARNING
			THESE PARTS ARE IMPORTANT TO THE SAFETY OF THIS EQUIPMENT AND THOSE WHO OPERATE IT. USE ONLY EXACT REPLACEMENT PARTS TO PREVENT HYDRAULIC FAILURE. BEFORE REPLACING THESE PARTS, REVIEW AND FOLLOW THE INSTRUCTIONS IN THE SAFETY AND OPERATING SECTIONS OF THIS MANUAL.

I0005670
PR: t05g30n06d0014

CENTER FRAME LIFT HYDRAULICS

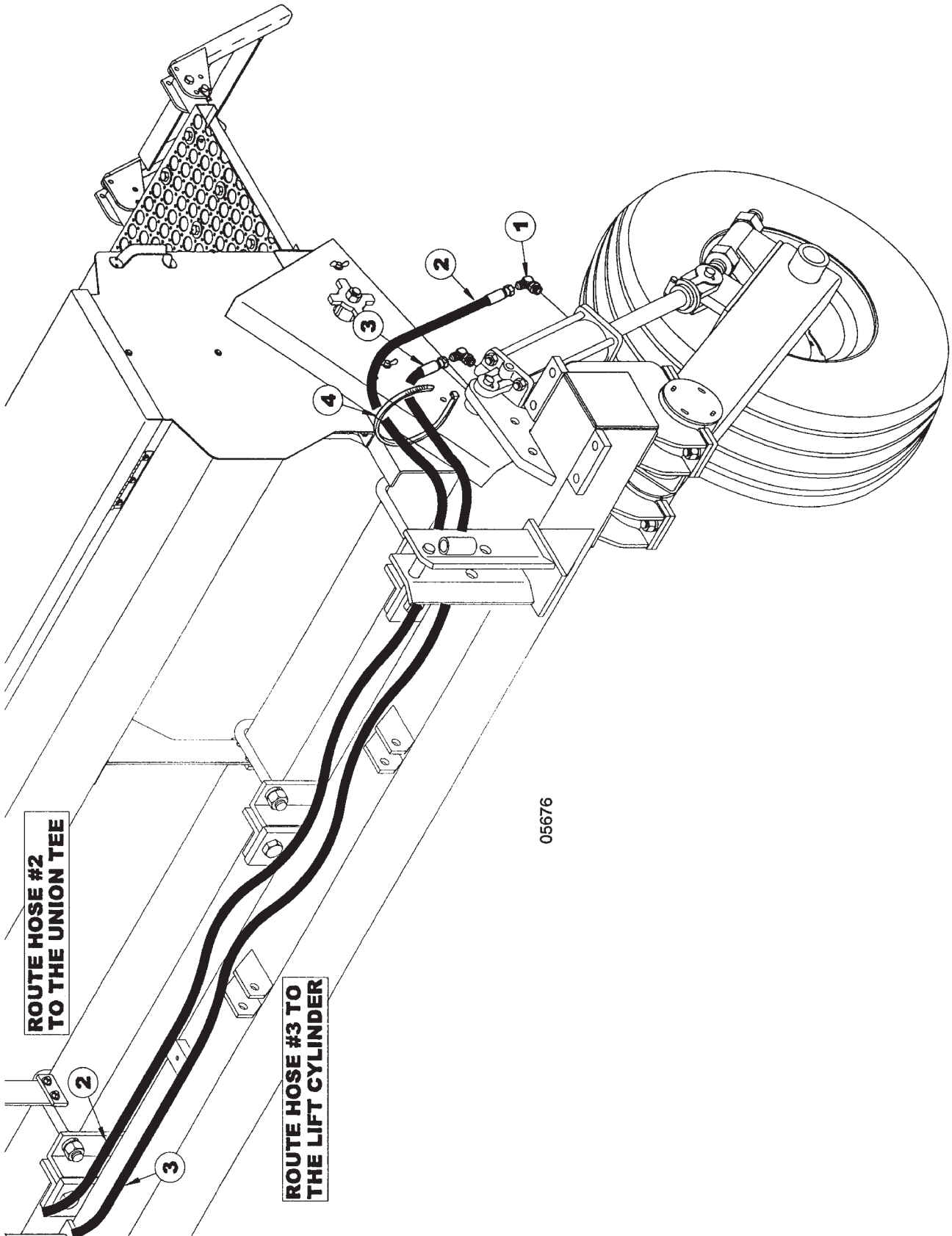


CENTER FRAME LIFT HYDRAULICS

ITEM	NUMBER	QTY	DESCRIPTION
1	SN4457		90 DEG STRAIGHT THD ELBOW, 7/8"-14 MF X 3/4"-16 MOR
2	SN4224005		HOSE, 1/2" X 224" L, FEMALE ENDS (30')
	SN4285005		HOSE, 1/2" X 285" L, FEMALE ENDS (40')
3	SN4255005		HOSE, 1/2" X 255" L, FEMALE ENDS (30')
	SN4294005		HOSE, 1/2" X 294" L, FEMALE ENDS (40')
4	SN4198005		HOSE, 1/2" X 198" L, FEMALE ENDS
5	SN4460		UNION TEE, 7/8"-14 MF
6	SN4065005		HOSE, 1/2" X 65" L, FEMALE ENDS
7	SN2355		STROKE CONTROL SEGMENTS, 1 1/2" DIAMETER
			WARNING
			THESE PARTS ARE IMPORTANT TO THE SAFETY OF THIS EQUIPMENT AND THOSE WHO OPERATE IT. USE ONLY EXACT REPLACEMENT PARTS TO PREVENT HYDRAULIC FAILURE. BEFORE REPLACING THESE PARTS, REVIEW AND FOLLOW THE INSTRUCTIONS IN THE SAFETY AND OPERATING SECTIONS OF THIS MANUAL.

I0005675
PR: t05g30n06d0015

OUTER WING LIFT HYDRAULICS



ROUTE HOSE #2
TO THE UNION TEE

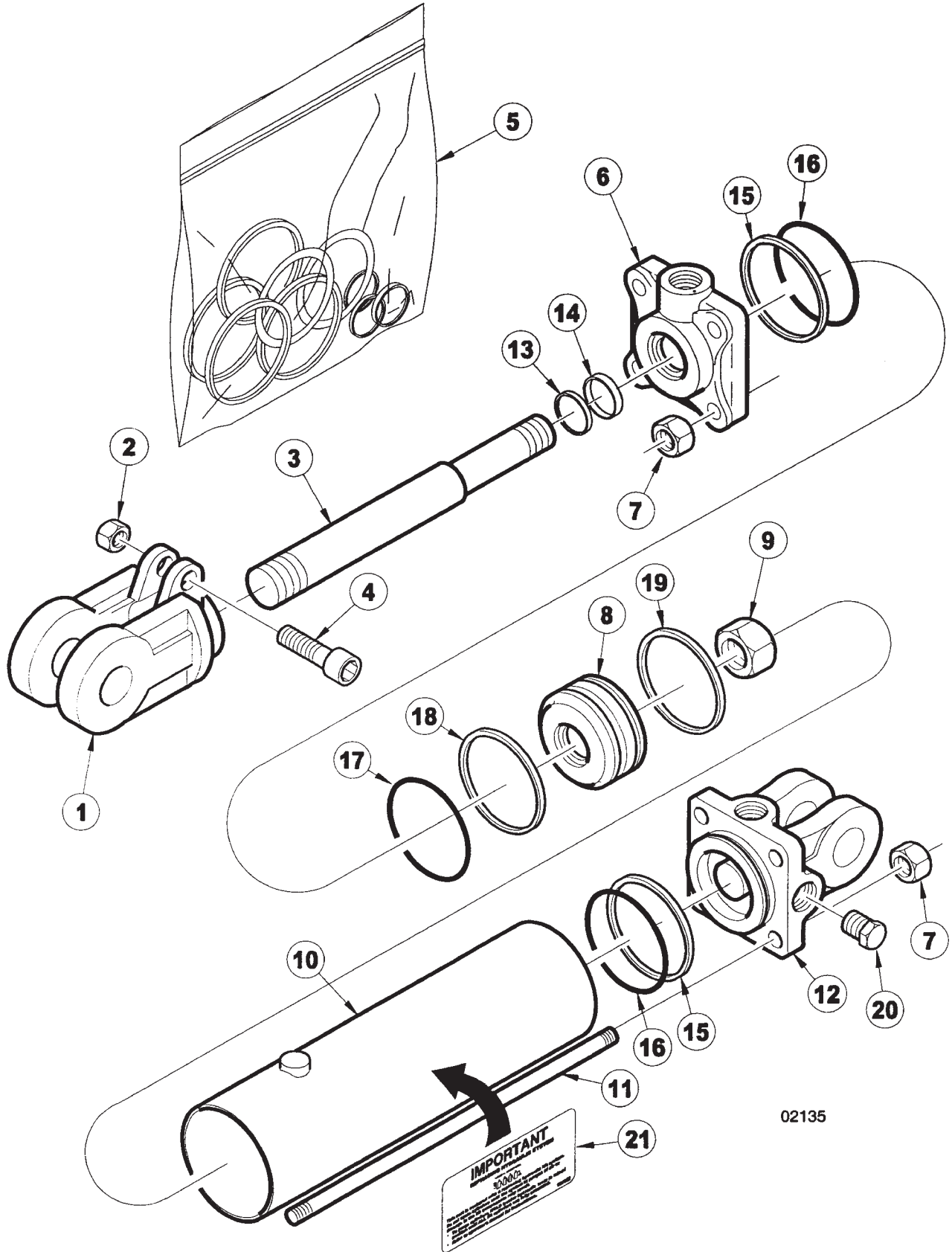
ROUTE HOSE #3 TO
THE LIFT CYLINDER

05676

ITEM	NUMBER	QTY	DESCRIPTION
1	SN4457		90 DEG STRAIGHT THD ELBOW, 7/8"-14 MF X 3/4"-16 MOR
2	SN4224005		HOSE, 1/2" X 224" L, FEMALE ENDS (30')
	SN4285005		HOSE, 1/2" X 285" L, FEMALE ENDS (40')
3	SN4255005		HOSE, 1/2" X 255" L, FEMALE ENDS (30')
	SN4294005		HOSE, 1/2" X 294" L, FEMALE ENDS (40')
4	SN2587		PLASTIC HOSE STRAP, 21 1/2" L
			WARNING
			THESE PARTS ARE IMPORTANT TO THE SAFETY OF THIS EQUIPMENT AND THOSE WHO OPERATE IT. USE ONLY EXACT REPLACEMENT PARTS TO PREVENT HYDRAULIC FAILURE. BEFORE REPLACING THESE PARTS, REVIEW AND FOLLOW THE INSTRUCTIONS IN THE SAFETY AND OPERATING SECTIONS OF THIS MANUAL.

I0005676
PR: t05g30n06d0016

3 3/4" X 10" HYDRAULIC CYLINDER
(4431R) VERSION 1, PRIOR TO 4/9/03



02135

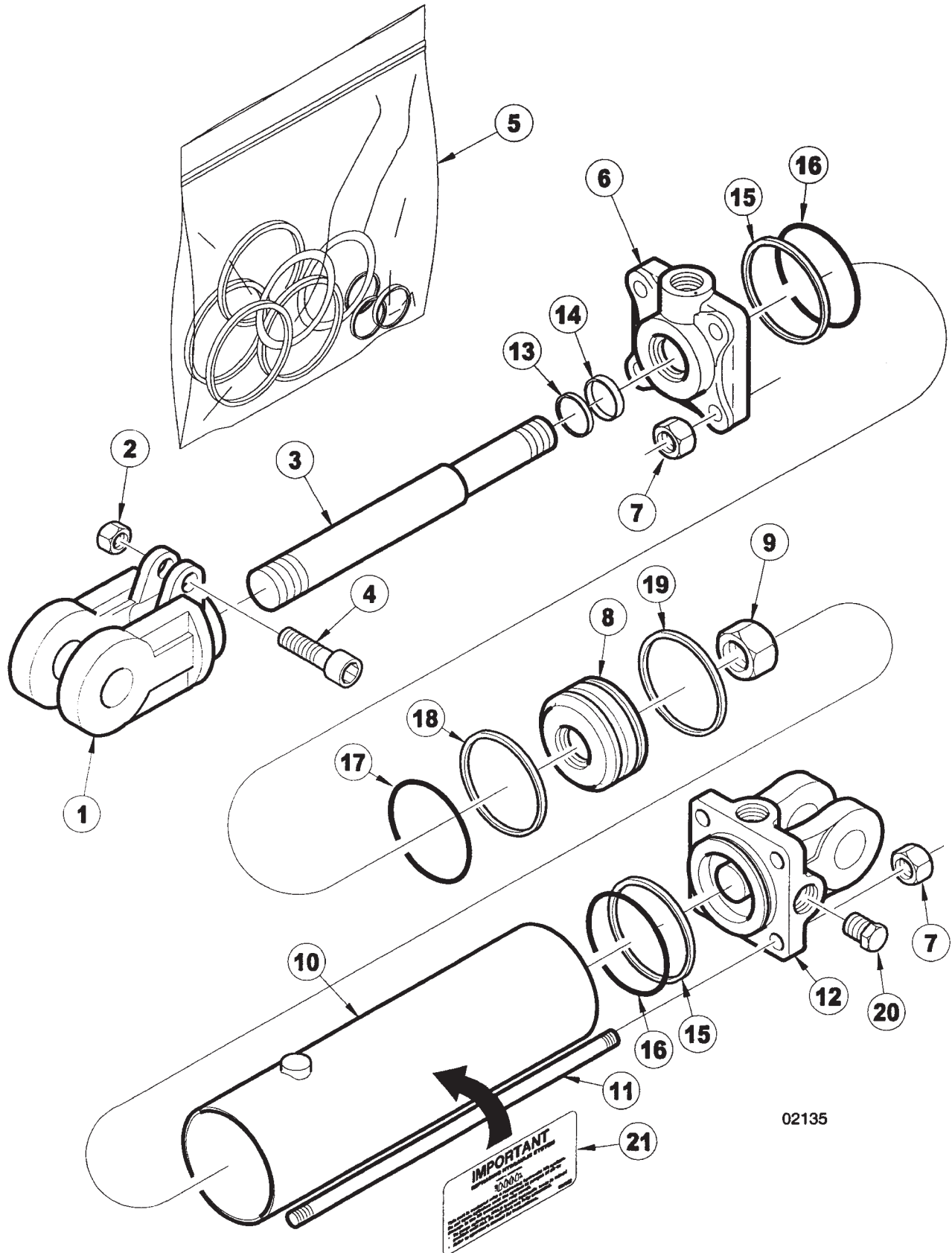
3 3/4" X 10" HYDRAULIC CYLINDER
(4431R) VERSION 1, PRIOR TO 4/9/03

ITEM	NUMBER	QTY	DESCRIPTION
1	SN8610-1		CLEVIS, 1 1/4" THREADS, 1" PIN W/BUSHING, CROSS
2	SN8671-1		CAPSCREW NUT, 5/16" THREADS CROSS
3	SN8899-1		ROD, 1 3/8" DIA, 10" REPHASING CROSS
4	SN8631-1		CAPSCREW, CROSS
5	SN8776-1		SEAL KIT, 3 3/4", 1 3/8" ROD, REPHASING CROSS
6	SN8736-10		HEAD, 3 3/4", 1 3/8" ROD
7	SN8864-1		TIE ROD NUT, 5/8" THREADS
8	SN8717-1		PISTON, 3 3/4" W/1" HOLE
9	SN8683-1		PISTON NUT, 1" CROSS
10	SN8828-1		TUBE, 3 3/4" X 10" REPHASING CROSS
11	SN8849-1		TIE ROD BOLT, 4" X 10" CROSS
12	SN8698-10		BASE, 3 3/4" (ORB), 1" PIN REPHASING CROSS
13			* WIPER
14			* U-CUP
15			* BACKUP
16			* O-RING
17			* O-RING
18			* TEFLON RING
19			* WEAR RING
20	SN4458		PLUG, 3/4"-16 MOR
21	SN997052		SYSTEMS MUST BE BLED OF AIR

NOTE: * AVAILABLE IN THE SEAL KIT ONLY
WHEN ORDERING HYDRAULIC CYLINDER
COMPONENTS, BE SURE TO NOTE THE PART #
AND THE CYLINDER PSI. (LOCATED ON THE
CYLINDER DECAL) AS THEY CONTAIN
DIFFERENT COMPONENTS. OLDER CYLINDERS
WERE 2500 PSI. AND THE NEWER CYLINDERS
ARE 3000 PSI. IDENTIFYING THE PART # OF
THE CYLINDER IS EXTREMELY IMPORTANT WHEN
ORDERING PARTS TO ENSURE PROPER
OPERATION OF THE HYDRAULIC CYLINDER.

I0002135
PR: t05g30n06d0017

3 3/4" X 10" CYLINDER (10815R)
VERSION 2, 4/9/03 & LATER



02135

**9433 OPERATOR'S MANUAL
SERVICE PARTS**

41

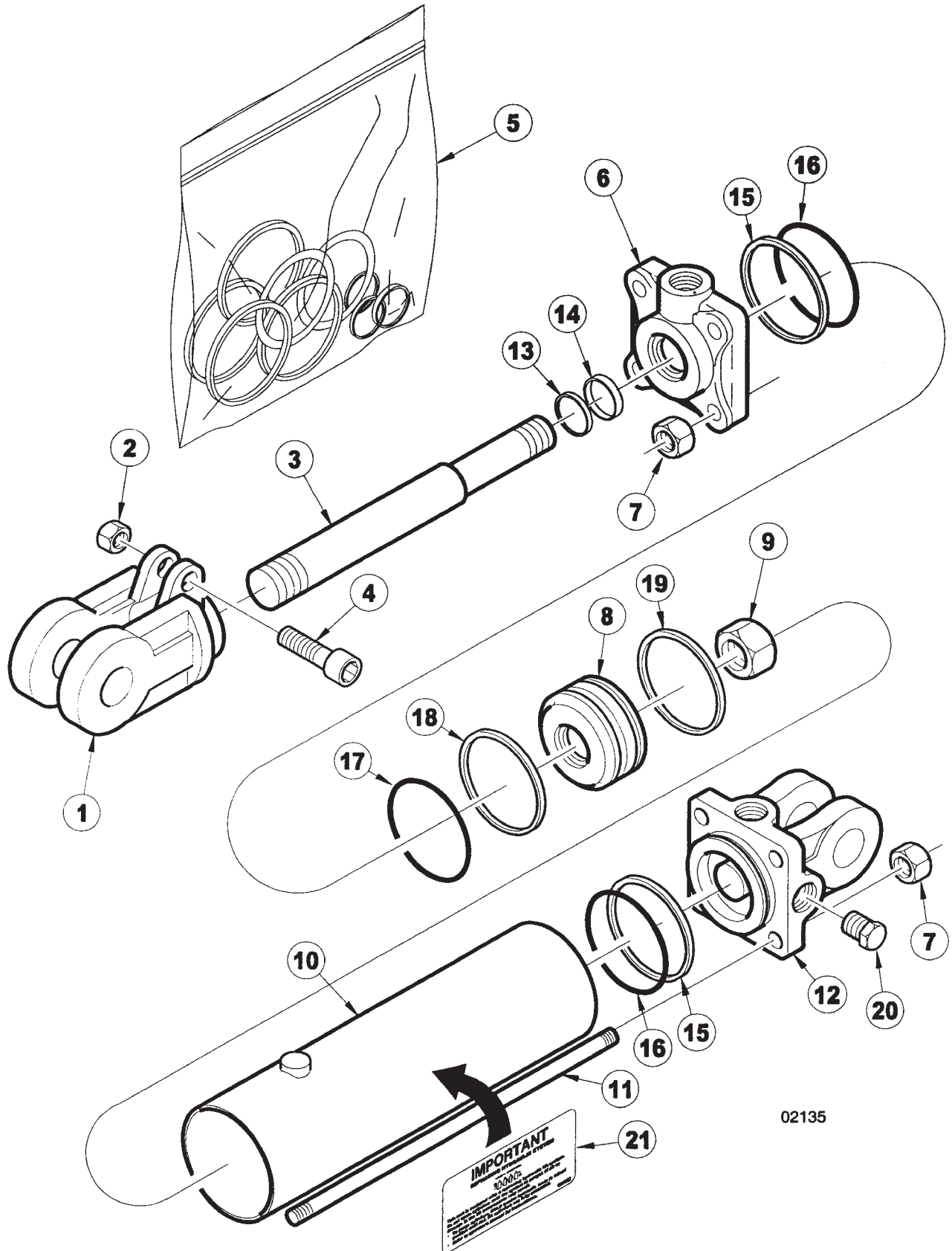
**3 3/4" X 10" CYLINDER (10815R)
VERSION 2, 4/9/03 & LATER**

ITEM	NUMBER	QTY	DESCRIPTION
1	SN8610-1		CLEVIS, 1 1/4" THREADS, 1" PIN W/BUSHING, CROSS
2	SN8671-1		CAPSCREW NUT, 5/16" THREADS CROSS
3	SN8925-1		ROD, 1 3/8" DIA, 10" REPHASING CROSS
4	SN8631-1		CAPSCREW, CROSS
5	SN8776-1		SEAL KIT, 3 3/4", 1 3/8" ROD, REPHASING CROSS
6	SN8736-10		HEAD, 3 3/4", 1 3/8" ROD
7	SN8864-1		TIE ROD NUT, 5/8" THREADS
8	SN8655-1		PISTON, 3 3/4" W/1" HOLE REPHASING, CROSS
9	SN8683-1		PISTON NUT, 1" CROSS
10	SN8828-1		TUBE, 3 3/4" X 10" REPHASING CROSS E
11	SN8654-1		TIE ROD BOLT, 4" X 10" REPHASING, CROSS
12	SN8656-10		BASE, 3 3/4" (ORB), 1" PIN REPHASING, CROSS
13			* WIPER
14			* U-CUP
15			* BACKUP
16			* O-RING
17			* O-RING
18			* TEFLON RING
19			* WEAR RING
20	SN4458		PLUG, 3/4"-16 MOR
21	SN997052		SYSTEMS MUST BE BLED OF AIR

NOTE: *ITEMS ARE AVAILABLE IN THE SEAL
KIT ONLY.
WHEN ORDERING HYDRAULIC CYLINDER
COMPONENETS, BE SURE TO NOTE THE PART #
AND THE CYLINDER PSI. (LOCATED ON THE
CYLINDER DECAL) AS THEY CONTAIN
DIFFERENT COMPONENTS. OLDER CYLINDERS
WERE 2500 PSI. AND THE NEWER CYLINDERS
ARE 3000 PSI. IDENTIFYING THE PART # OF
THE CYLINDER IS EXTREMELY IMPORTANT WHEN
ORDERING PARTS TO ENSURE PROPER
OPERATION OF THE HYDRAULIC CYLINDER.

I0002135
PR: t05g30n06d0018

4" X 10" HYDRAULIC CYLINDER (4430R)
VERSION 1, PRIOR TO 6/23/03



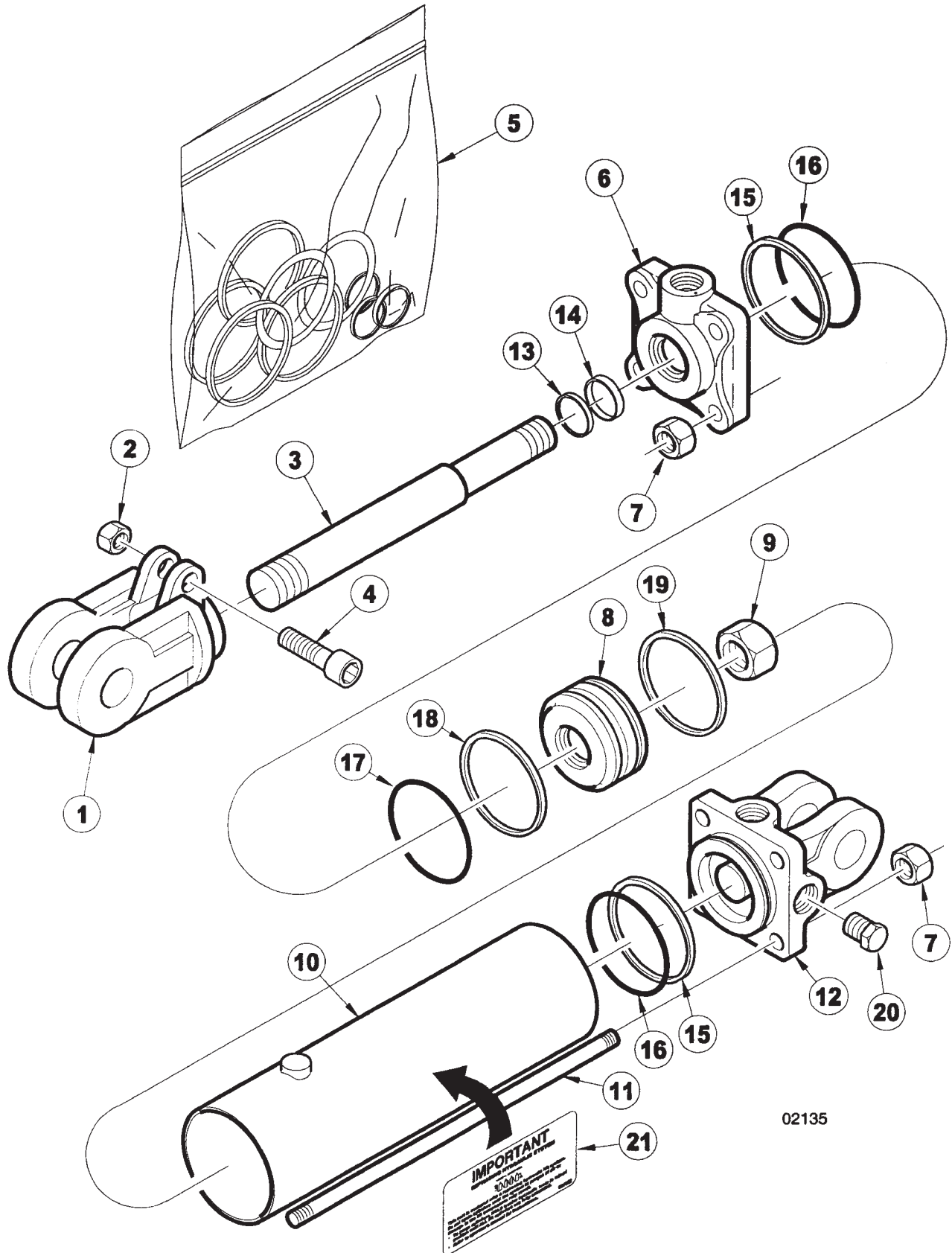
02135

ITEM	NUMBER	QTY	DESCRIPTION
1	SN8610-1		CLEVIS, 1 1/4" THREADS, 1" PIN W/BUSHING, CROSS
2	SN8671-1		CAPSCREW NUT, 5/16" THREADS CROSS
3	SN8899-1		ROD, 1 3/8" DIA, 10" REPHASING CROSS
4	SN8631-1		CAPSCREW, CROSS
5	SN8781-1		SEAL KIT, 4", 1 3/8" ROD REPHASING CROSS
6	SN8739-10		HEAD, 4" 1 3/8" ROD, REPHASING CROSS
7	SN8864-1		TIE ROD NUT, 5/8" THREADS
8	SN8718-1		PISTON, 4" W/1" HOLE REPHASING CROSS
9	SN8683-1		PISTON NUT, 1" CROSS
10	SN8826-1		TUBE, 4" X 10" REPHASING CROSS
11	SN8849-1		TIE ROD BOLT, 4" X 10" CROSS
12	SN8699-10		BASE, 4" REPHASING, CROSS
13			* WIPER
14			* U-CUP
15			* BACKUP
16			* O-RING
17			* O-RING
18			* TEFLON RING
19			* WEAR RING
20	SN4458		PLUG, 3/4"-16 MOR
21	SN997052		SYSTEMS MUST BE BLED OF AIR

NOTE: * AVAILABLE IN THE SEAL KIT ONLY
WHEN ORDERING HYDRAULIC CYLINDER
COMPONENTS, BE SURE TO NOTE THE PART #
AND THE CYLINDER PSI. (LOCATED ON THE
CYLINDER DECAL) AS THEY CONTAIN
DIFFERENT COMPONENTS. OLDER CYLINDERS
WERE 2500 PSI. AND THE NEWER CYLINDER
ARE 3000 PSI. IDENTIFYING THE PART # OF
THE CYLINDER IS EXTREMELY IMPORTANT WHEN
ORDERING PARTS TO ENSURE PROPER
OPERATION OF THE HYDRAULIC CYLINDER.

I0002135
PR: t05g30n06d0019

4" X 10" HYDRAULIC CYLINDER (10814R)
VERSION 2, 6/23/03 & LATER



02135

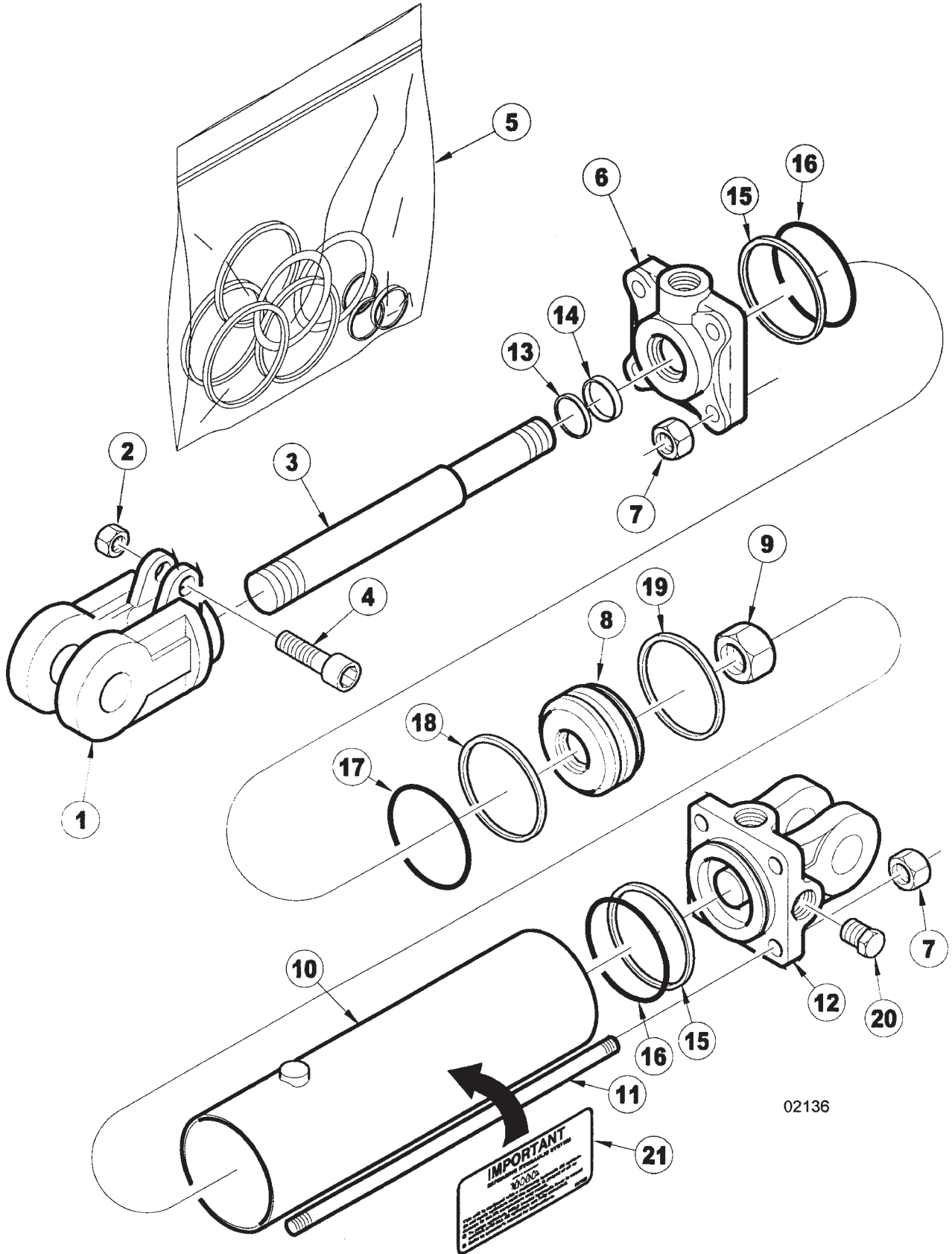
4" X 10" HYDRAULIC CYLINDER (10814R)
VERSION 2, 6/23/03 & LATER

ITEM	NUMBER	QTY	DESCRIPTION
1	SN8610-1		CLEVIS, 1 1/4" THREADS, 1" PIN W/BUSHING, CROSS
2	SN8671-1		CAPSCREW NUT, 5/16" THREADS CROSS
3	SN8925-1		ROD, 1 3/8" DIA, 10" REPHASING CROSS
4	SN8631-1		CAPSCREW, CROSS
5	SN8781-1		SEAL KIT, 4", 1 3/8" ROD
6	SN8739-10		HEAD, 4" 1 3/8" ROD, REPHASING CROSS
7	SN8864-1		TIE ROD NUT, 5/8" THREADS
8	SN8653-1		PISTON, 4" W/1" HOLE, REPHASING CROSS
9	SN8683-1		PISTON NUT, 1" CROSS
10	SN8826-1		TUBE, 4" X 10" REPHASING CROSS
11	SN8654-1		TIE ROD BOLT, 4" X 10" REPHASING, CROSS
12	SN8670-10		BASE, 4" (ORB) CROSS
13			* WIPER
14			* U-CUP
15			* BACKUP
16			* O-RING
17			* O-RING
18			* TEFLON RING
19			* WEAR RING
20	SN4458		PLUG, 3/4"-16 MOR
21	SN997052		SYSTEMS MUST BE BLED OF AIR

NOTE: *AVAILABLE IN THE SEAL KIT ONLY
WHEN ORDERING HYDRAULIC CYLINDER
COMPONENTS, NOTE THE PART # AND THE
CYLINDER PSI. (LOCATED ON THE CYLINDER
DECAL) AS THEY CONTAIN DIFFERENT
COMPONENTS. OLDER CYLINDERS WERE 2500
PSI. AND THE NEWER CYLINDERS ARE 3000
PSI. IDENTIFYING THE PART # OF THE
CYLINDER IS EXTREMELY IMPORTANT WHEN
ORDERING PARTS TO ENSURE PROPER
OPERATION OF THE HYDRAULIC CYLINDER.

I0002135
PR: t05g30n06d0020

4 1/4" X 10" CYLINDER (7104R) VERSION 1,
PRIOR TO 1/19/04



02136

9433 OPERATOR'S MANUAL
SERVICE PARTS

47

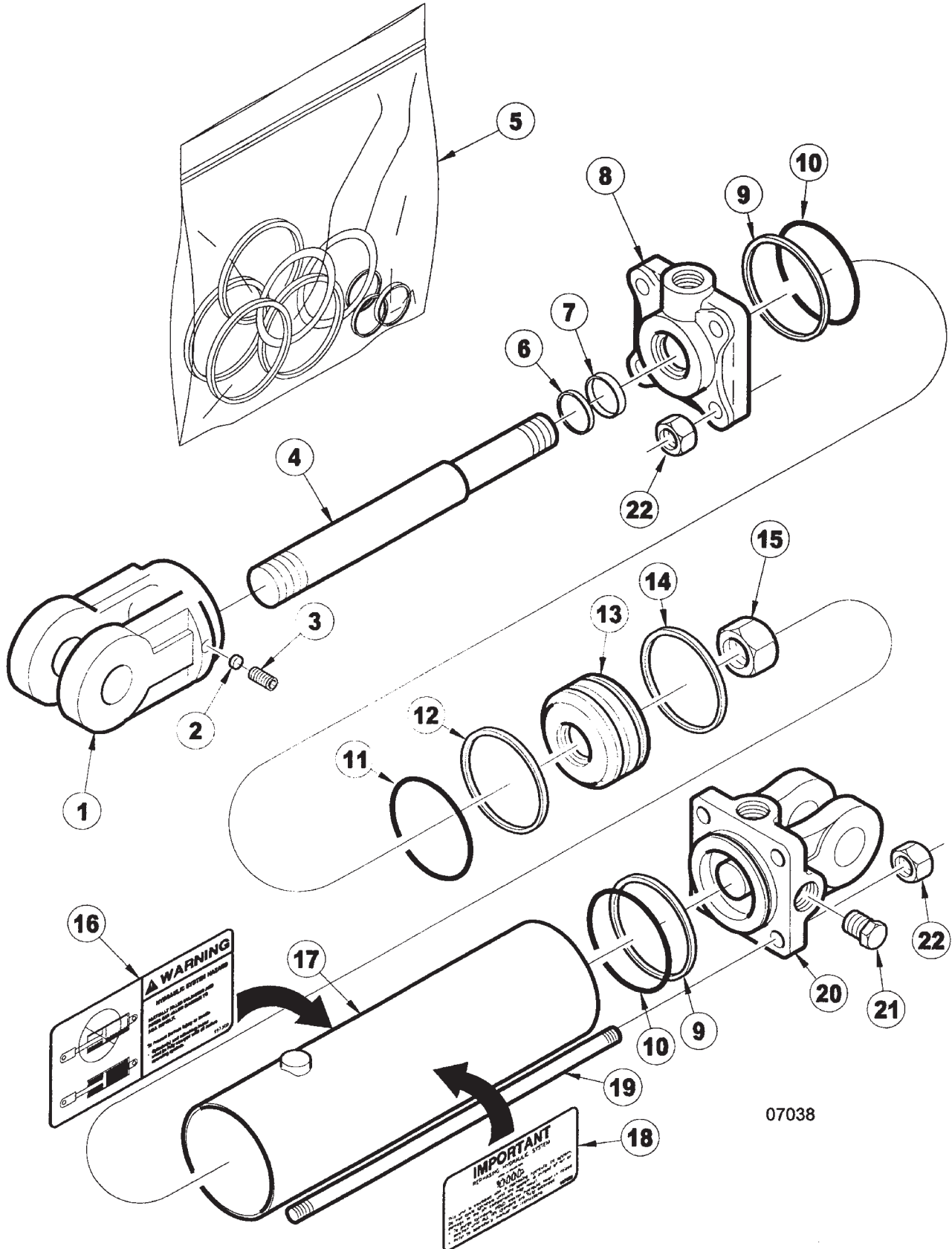
4 1/4" X 10" CYLINDER (7104R) VERSION 1,
PRIOR TO 1/19/04

ITEM	NUMBER	QTY	DESCRIPTION
1	SN8610-1		CLEVIS, 1 1/4" THREADS, 1" PIN W/BUSHING, CROSS
2	SN8671-1		CAPSCREW NUT, 5/16" THREADS CROSS
3	SN8966-1		ROD, 1 3/8" DIA, 10" CROSS
4	SN8631-1		CAPSCREW, CROSS
5	SN8780-1		SEAL KIT, 4 1/4", 1 3/8" ROD REPHASING CROSS
6	SN8741-10		HEAD, 4 1/4", 1 3/8" ROD
7	SN8865-1		TIE ROD NUT, 3/4" THREADS
8	SN8695-1		PISTON, 4 1/4" W/1 1/4" HOLE REPHASING, CROSS
9	SN8683-1		PISTON NUT, 1" CROSS
10	SN8805-1		TUBE, 4 1/4" X 10", CROSS
11	SN8873-1		TIE ROD BOLT, 4 1/4" X 10",CROSS
12	SN8675-10		BASE, 4 1/4" (ORB), 1" PIN,CROSS
13			* WIPER
14			* U-CUP
15			* BACK-UP
16			* O-RING
17			* O-RING
18			* TEFLON RING
19			* WEAR RING
20	SN4458		PLUG, 3/4"-16 MOR
21	SN997052		SYSTEMS MUST BE BLED OF AIR

NOTE: * AVAILABLE IN THE SEAL KIT ONLY
 WHEN ORDERING HYDRAULIC CYLINDER
 COMPONENTS, BE SURE TO NOTE THE PART #
 AND THE CYLINDER PSI. (LOCATED ON THE
 CYLINDER DECAL) AS THEY CONTAIN
 DIFFERENT COMPONENTS. OLDER CYLINDERS
 WERE 2500 PSI. AND THE NEWER CYLINDERS
 ARE 3000 PSI. IDENTIFYING THE PART # OF
 THE CYLINDER IS EXTREMELY IMPORTANT WHEN
 ORDERING PARTS TO ENSURE PROPER
 OPERATION OF THE HYDRAULIC CYLINDER.

I0002136
 PR: t05g30n06d0021

4 1/4" X 10" CYLINDER (12013R)
VERSION 2, 1/19/04 & LATER



07038

**9433 OPERATOR'S MANUAL
SERVICE PARTS**

49

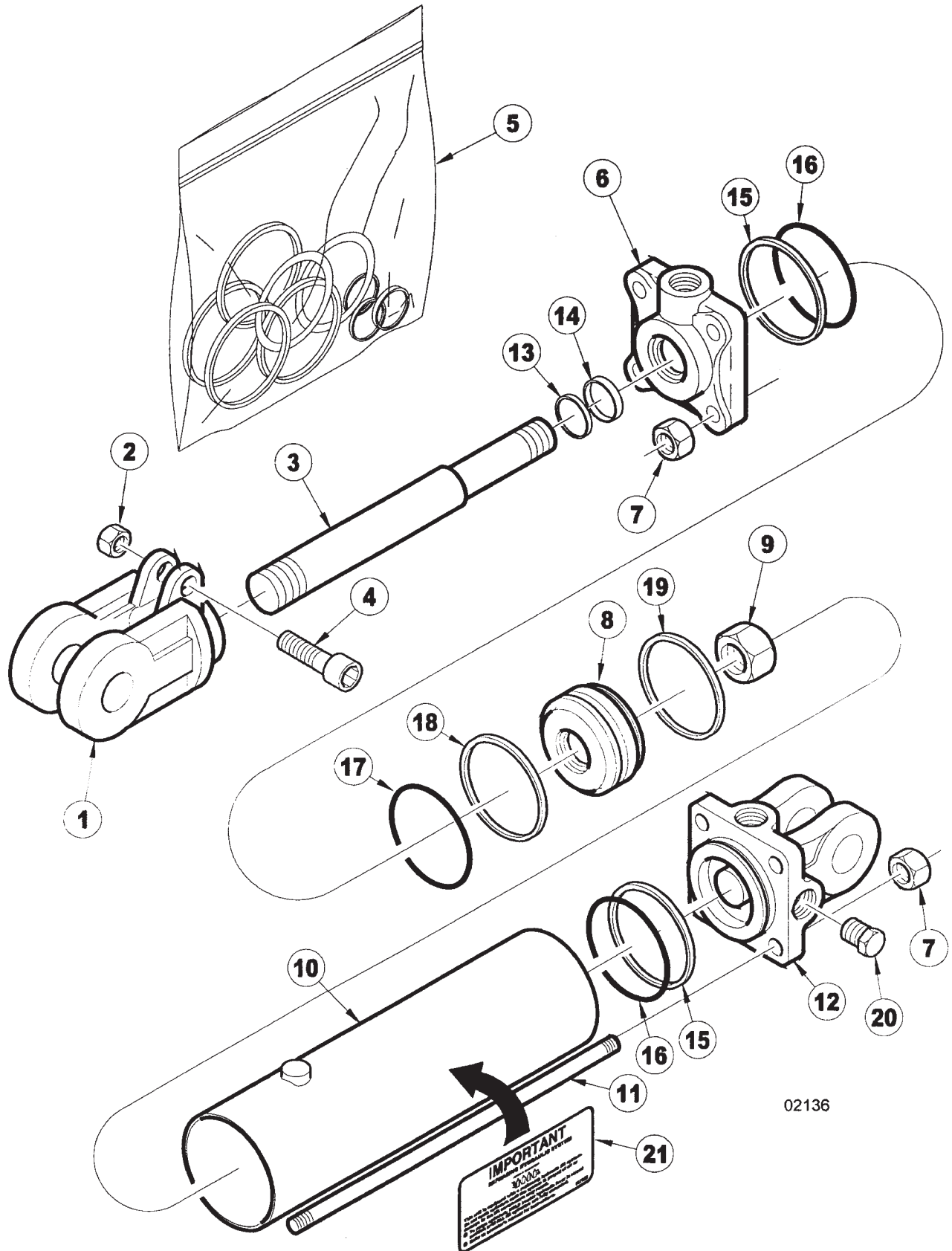
**4 1/4" X 10" CYLINDER (12013R)
VERSION 2, 1/19/04 & LATER**

ITEM	NUMBER	QTY	DESCRIPTION
1	SN8968-1		CLEVIS, 1 1/4" THREADS, 1" PIN W/BUSHING, CROSS
2	SN8961-1		PLUG, NYLON, CROSS
3	SN8963-1		SET SCREW, 3/8"-16 X 7/8" L, SHSS W/NYLOK, CROSS
4	SN8966-1		ROD, 1 3/8" DIA, 10" CROSS
5	SN8780-1		SEAL KIT, 4 1/4", 1 3/8" ROD REPHASING, CROSS
6			* WIPER
7			* U-CUP
8	SN8741-10		HEAD, 4 1/4", 1 3/8" ROD REPHASING CROSS
9			* BACK-UP
10			* O-RING
11			* O-RING
12			* TEFLON RING
13	SN8958-1		PISTON, 4 1/4" W/1 1/4" HOLE REPHASING, CROSS
14			* WEAR RING
15	SN8683-1		PISTON NUT, 1" CROSS
16	SN997309		ON HYDRAULIC SYSTEM HAZARD
17	SN8805-1		TUBE, 4 1/4" X 10", CROSS
18	SN997052		SYSTEMS MUST BE BLED OF AIR
19	SN8873-1		TIE ROD BOLT, 4 1/4" X 10",CROSS
20	SN8675-10		BASE, 4 1/4" (ORB), 1" PIN,CROSS
21	SN4458		PLUG, 3/4"-16 MOR
22	SN8865-1		TIE ROD NUT, 3/4" THREADS

NOTE: *AVAILABLE IN THE SEAL KIT ONLY.
WHEN ORDERING HYDRAULIC CYLINDER
COMPONENTS, BE SURE TO NOTE THE PART
NUMBER AND THE CYLINDER PSI. (LOCATED
ON THE CYLINDER DECAL) AS THEY CONTAIN
DIFFERENT COMPONENTS. OLDER CYLINDERS
WERE 2500 PSI. AND THE NEWER CYLINDERS
ARE 3000 PSI. IDENTIFYING THE PART # OF
THE CYLINDER IS EXTREMELY IMPORTANT WHEN
ORDERING PARTS TO ENSURE PROPER
OPERATION OF THE HYDRAULIC CYLINDERS.

I0007038
PR: t05g30n06d0022

4 1/2" X 10" CYLINDER (7419R)
VERSION 1, PRIOR TO 12/12/03



02136

**9433 OPERATOR'S MANUAL
SERVICE PARTS**

51

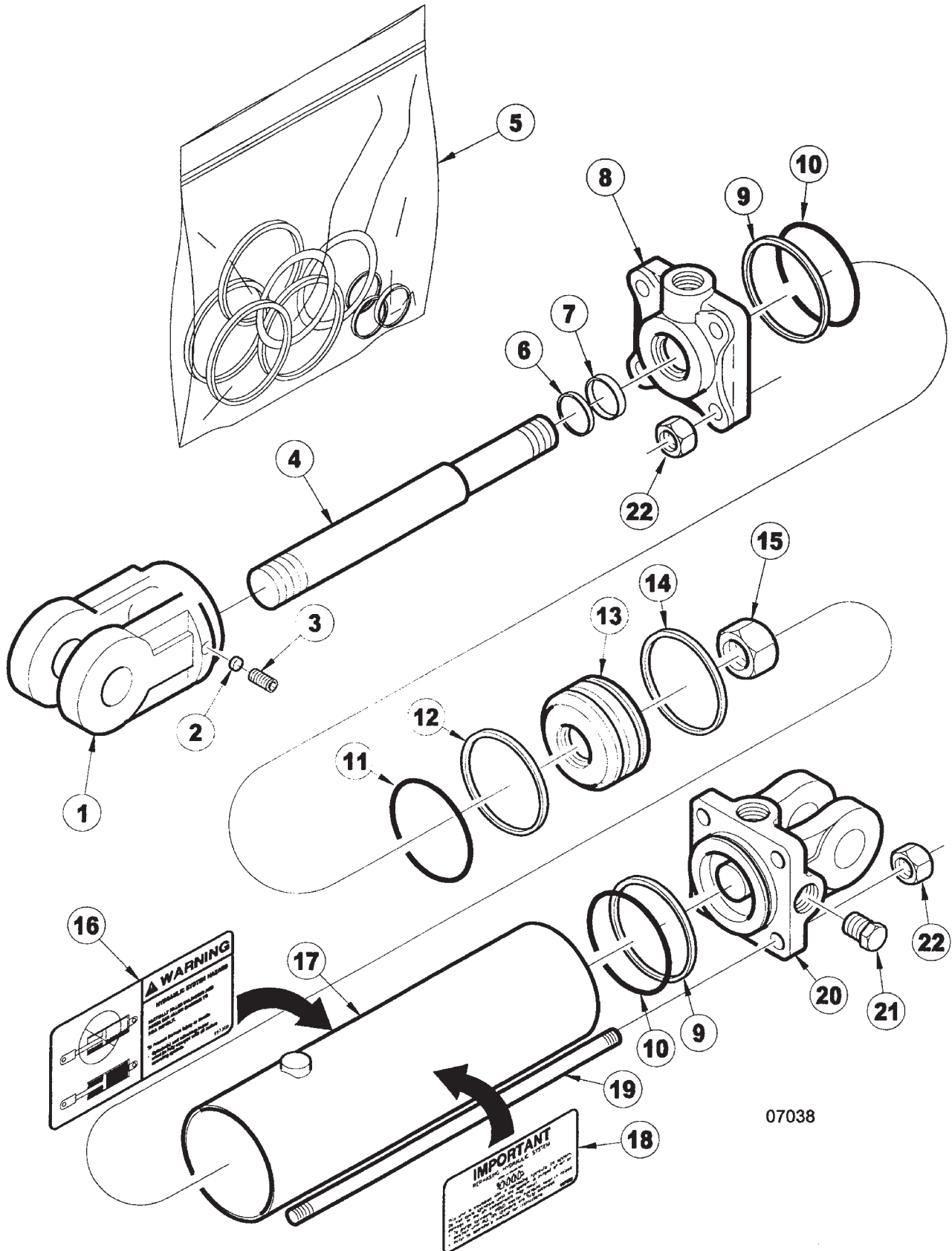
**4 1/2" X 10" CYLINDER (7419R)
VERSION 1, PRIOR TO 12/12/03**

ITEM	NUMBER	QTY	DESCRIPTION
1	SN8617-1		CLEVIS, 1 1/2" THREADS, CROSS
2	SN8671-1		CAPSCREW NUT, 5/16" THREADS CROSS
3	SN8901-1		ROD, 1 1/2" DIA, 10" REPHASING CROSS
4	SN8631-1		CAPSCREW, CROSS
5	SN8799-1		SEAL KIT, 4 1/2", 1 1/2" ROD, CROSS
6	SN8730-10		HEAD, 4 1/2", 1 1/2" ROD
7	SN8865-1		TIE ROD NUT, 3/4" THREADS
8	SN8720-1		PISTON, 4 1/2" REPHASING CROSS
9	SN8685-1		PISTON NUT, 1 1/4" THREAD, CROSS
10	SN8804-1		TUBE, 4 1/2" X 10" REPHASING CROSS
11	SN8873-1		TIE ROD BOLT, 4 1/4" X 10", CROSS
12	SN8679-10		BASE, 4 1/2" (ORB), 1" PIN CROSS
13			* WIPER
14			* U-CUP
15			* BACKUP
16			* O-RING
17			* O-RING
18			* TEFLON RING
19			* WEAR RING
20	SN4458		PLUG, 3/4"-16 MOR
21	SN997052		SYSTEMS MUST BE BLED OF AIR

NOTE: * AVAILABLE IN THE SEAL KIT ONLY
WHEN ORDERING HYDRAULIC CYLINDER
COMPONENTS, BE SURE TO NOTE THE PART #
AND THE CYLINDER PSI. (LOCATED ON THE
CYLINDER DECAL) AS THEY CONTAIN
DIFFERENT COMPONENTS. OLDER CYLINDERS
WERE 2500 PSI. AND THE NEWER CYLINDERS
ARE 3000 PSI. IDENTIFYING THE PART # OF
THE CYLINDER IS EXTREMELY IMPORTANT WHEN
ORDERING PARTS TO ENSURE PROPER
OPERATION OF THE HYDRAULIC CYLINDER.

I0002136
PR: t05g30n06d0023

4 1/2" X 10" CYLINDER (12014R)
VERSION 2, 12/12/03 & LATER



07038

**9433 OPERATOR'S MANUAL
SERVICE PARTS**

53

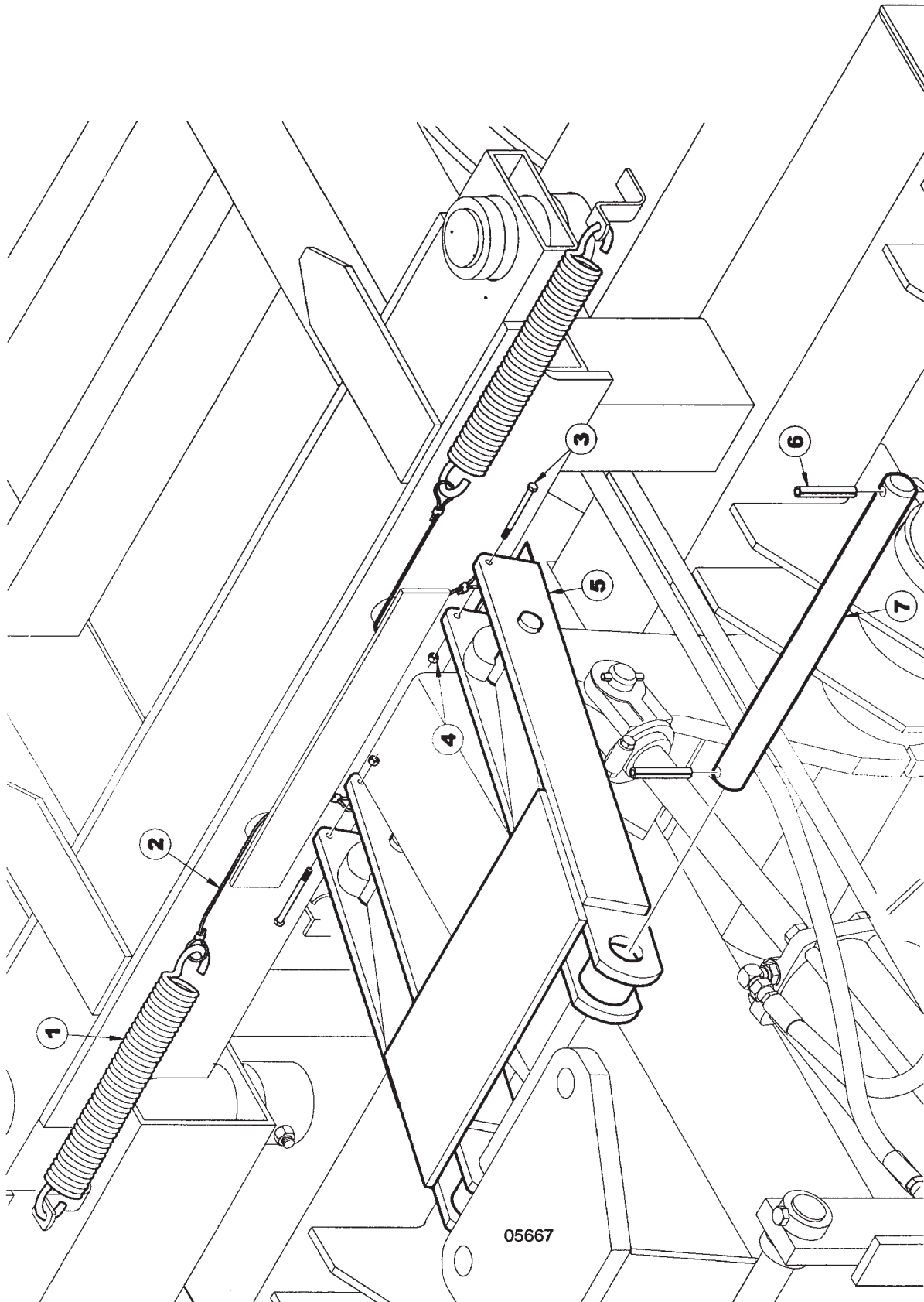
**4 1/2" X 10" CYLINDER (12014R)
VERSION 2, 12/12/03 & LATER**

ITEM	NUMBER	QTY	DESCRIPTION
1	SN12009		CLEVIS, 1 1/2" THREADS, CROSS
2	SN8961-1		PLUG, NYLON, CROSS
3	SN8963-1		SET SCREW, 3/8"-16 X 7/8" L, SHSS W/NYLOK, CROSS
4	SN8901-1		ROD, 1 1/2" DIA, 10" REPHASING CROSS
5	SN8951-1		SEAL KIT, 4 1/2", 1 1/2" ROD, CROSS
6			* WIPER
7			* U-CUP
8	SN8956-10		HEAD, 4 1/2", 1 1/2" ROD REPHASING, CROSS
9			* BACK-UP
10			* O-RING
11			* O-RING
12			* TEFLON RING
13	SN8953-1		PISTON, 4 1/2" REPHASING CROSS
14			* WEAR RING
15	SN8685-1		PISTON NUT, 1 1/4" THREAD, CROSSING CROSS
16	SN997309		ON HYDRAULIC SYSTEM HAZARD
17	SN8804-1		TUBE, 4 1/2" X 10" REPHASING CROSS E
18	SN997052		SYSTEMS MUST BE BLED OF AIR
19	SN8873-1		TIE ROD BOLT, 4 1/4" X 10",CROSS
20	SN8679-10		BASE, 4 1/2" (ORB), 1" PIN CROSSING, CROSS
21	SN4458		PLUG, 3/4"-16 MOR
22	SN8865-1		TIE ROD NUT, 3/4" THREADS

NOTE: AVAILABLE IN THE SEAL KIT ONLY
WHEN ORDERING HYDRAULIC CYLINDER
COMPONENTS, BE SURE TO NOTE THE PART #
AND THE CYLINDER PSI. (LOCATED ON THE
CYLINDER DECAL) AS THEY CONTAIN
DIFFERENT COMPONENTS. OLDER CYLINDERS
WERE 2500 PSI. AND THE NEWER CYLINDERS
ARE 3000 PSI. IDENTIFYING THE PART # OF
THE CYLINDER IS EXTREMELY IMPORTANT WHEN
ORDERING PARTS TO ENSURE PROPER
OPERATION OF THE HYDRAULIC CYLINDER.

I0007038
PR: t05g30n06d0024

TRANSPORT LOCK ASSEMBLY



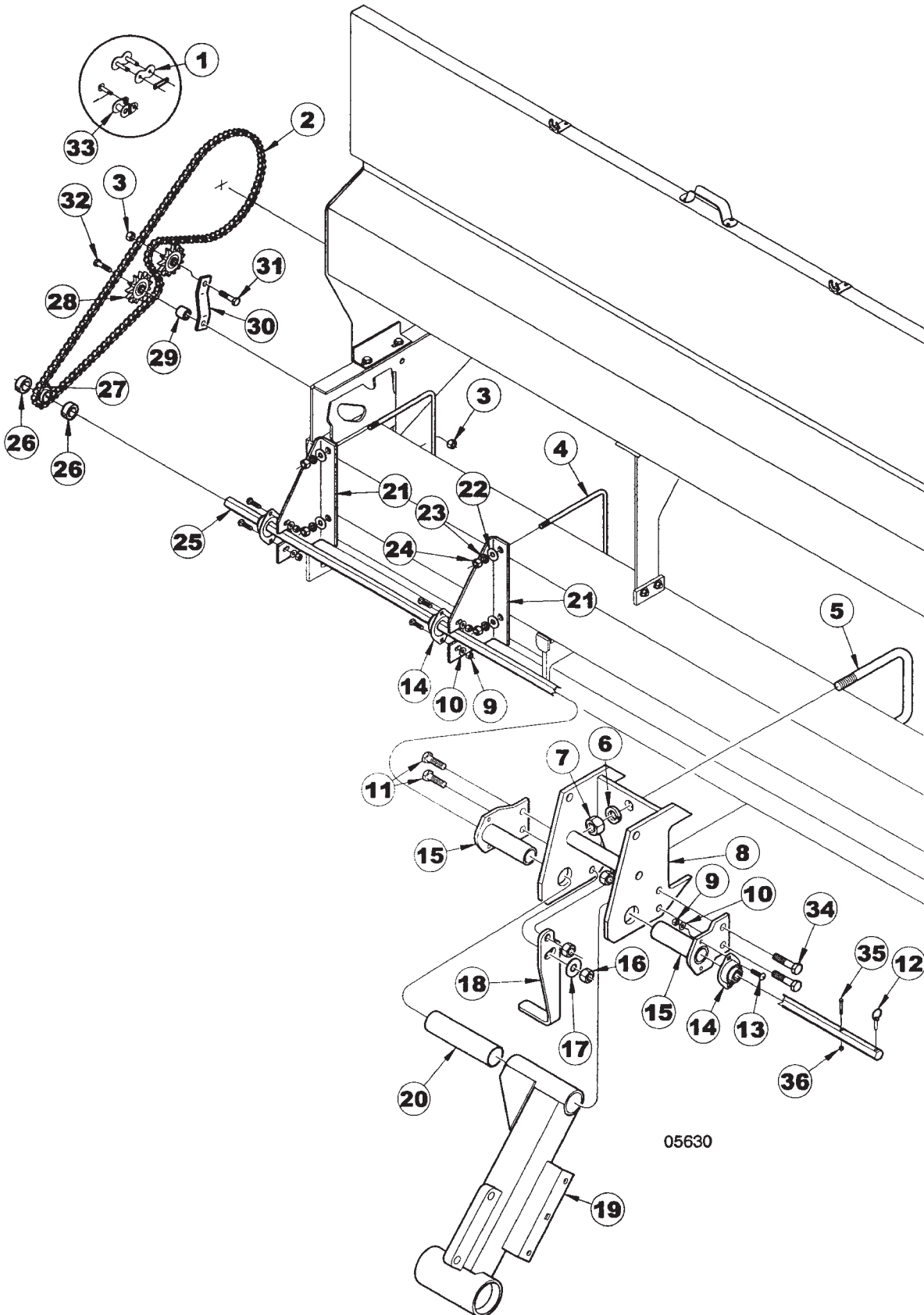
05667

TRANSPORT LOCK ASSEMBLY

ITEM	NUMBER	QTY	DESCRIPTION
1	SN7198		SPRING, 1.250" OD X 1.020" ID, 6" L EXTENSION
2	SN7197		CABLE, 17"
3	SN7771		HEX BOLT, 1/4"-20 X 4 1/2", GR 5, Y/D
4	SN3881		LOCK NUT, 1/4"-20 HEX NYLON INSERT, GR 2, Y/D
5	SN7733		TRANSPORT LOCK
6	SNFK150025		ROLL PIN, 1/2" X 3 1/2" Y/D
7	SN7193		PIN, 1 1/2" X 18" (16")

I0005667
PR: t05g30n06d0025

TOP HALF OF THE CENTER SECTION GAUGE
WHEEL ASSEMBLY



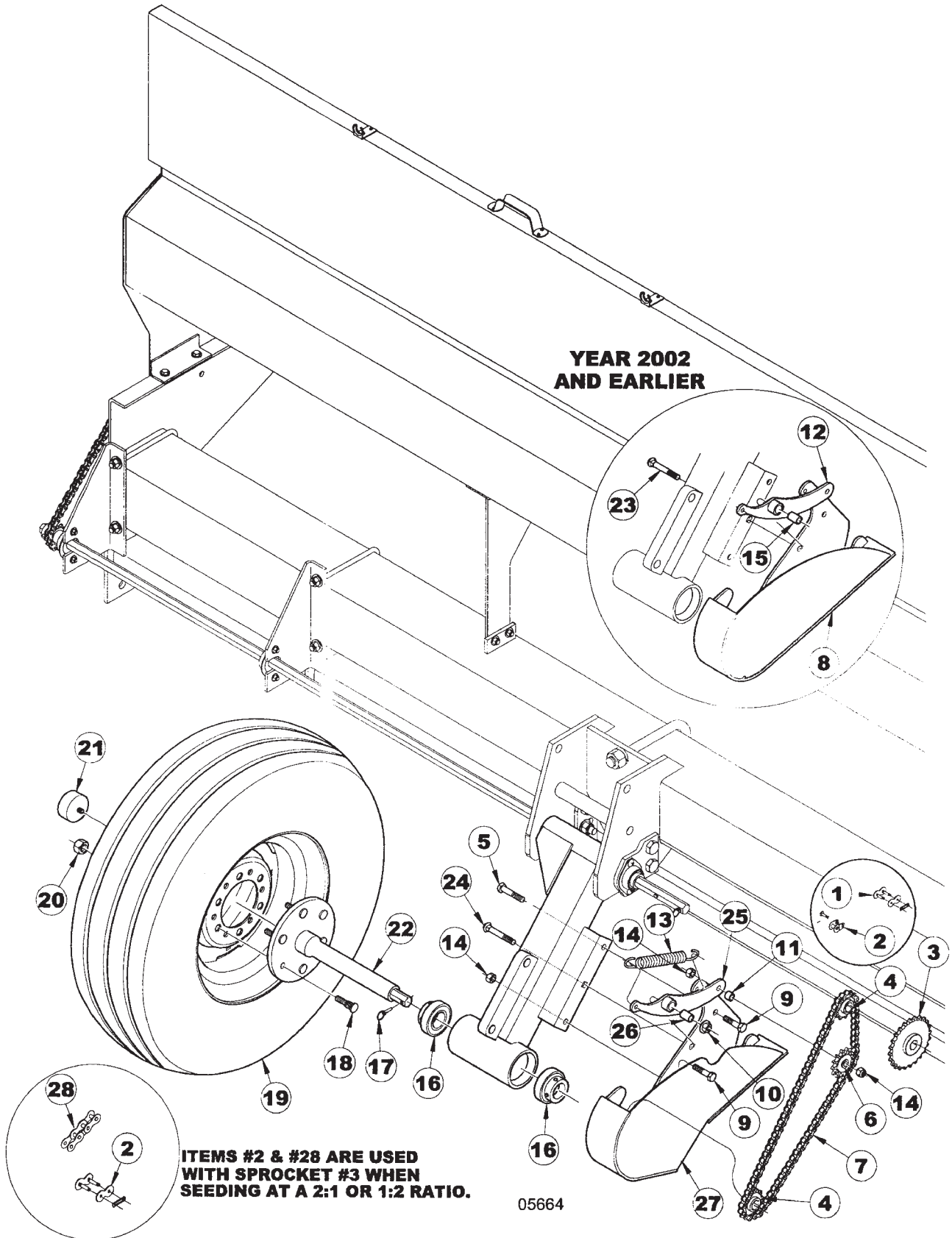
05630

TOP HALF OF THE CENTER SECTION GAUGE
WHEEL ASSEMBLY

ITEM	NUMBER	QTY	DESCRIPTION
1	SNDR41008		LINK, SINGLE CONNECTING #50 CHAIN
2	SN9176		CHAIN, 79 3/8" L NO. 50
3	SN2096		LOCK NUT, 1/2"-13 HEX NYLON INSERT
4	SNDR80018		U-BOLT, 1/2"-13 X 8 1/4" X 7 5/8" W, GR 5, Y/D
5	SN7070		U-BOLT, 1"-8 X 9" X 8 1/16" W, GR 5, Y/D
6	SN1283		LOCK WASHER, 1" SPLIT TYPE MED, Y/D
7	SN110		HEX NUT, 1"-8 FULL, GR 5, Y/D
8	SN9131		MOUNT, GAUGE WHEEL
9	SN6378		LOCK NUT, 5/16" HEX NYLON
10	SN6377		FLAT WASHER, 5/16" Y/D
11	SN1298		HEX BOLT, 5/8"-11 X 2 1/2", GR 5, Y/D
12	SN9083		KLIK PIN, 1/4" DIA X 2 1/8"
13	SN6376		CARRIAGE BOLT, 5/16"-18 X 1" GR 5, Y/D
14	SN9081		BEARING, 7/8" HEX BORE
15	SN9029		PIVOT BRACKET, GAUGE WHEEL
16	SN669-1		LOCK NUT, 5/8" HEX NYLON
17	SN2089		FLAT WASHER, 5/8", Y/D
18	SN10292		ARM, WHEEL STOP RIGHT
19	SN9129		GAUGE WHEEL AXLE, RT
20	SN9137		BUSHING, 2" OD X 1 3/4" ID, 8"L, PLASTIC
21	SN9170		BEARING BRACKET, RT
22	SN486		FLAT WASHER, 1/2", Y/D
23	SN113		LOCK WASHER, 1/2" SPLIT TYPE MED, Y/D
24	SN114		HEX NUT, 1/2"-13 FULL, GR 2, Y/D
25	SN9878		JACKSHAFT, 7/8" HEX, 75" L
26	SN9082		SET COLLAR, 7/8" HEX BORE, Y/D
27	SN9077		SPROCKET, 10 TOOTH, 7/8" HEX BORE
28	SNDR80029		SPROCKET, IDLER
29	SN9166R		SPACER, IDLER SPROCKET, UPPER, 7/8"L
30	SN9161		IDLER BRACKET, UPPER
31	SN2045		HEX BOLT, 1/2"-13 X 1 3/4", GR5, Y/D
32	SN156		HEX BOLT, 1/2"-13 X 3", GR 5 Y/D
33	SNDR41007		LINK, SINGLE OFFSET #50 CHAIN
34	SN670		HEX BOLT, 5/8"-11 X 2", GR 5, Y/D
35	SN2750		HEX BOLT, 1/4"-20 X 1 1/4", GR 2, Y/D
36	SN3881		LOCK NUT, 1/4"-20 HEX NYLON INSERT, GR 2, Y/D

I0005630
PR: t05g30n06d0026

LOWER HALF OF THE CENTER SECTION GAUGE
WHEEL ASSEMBLY

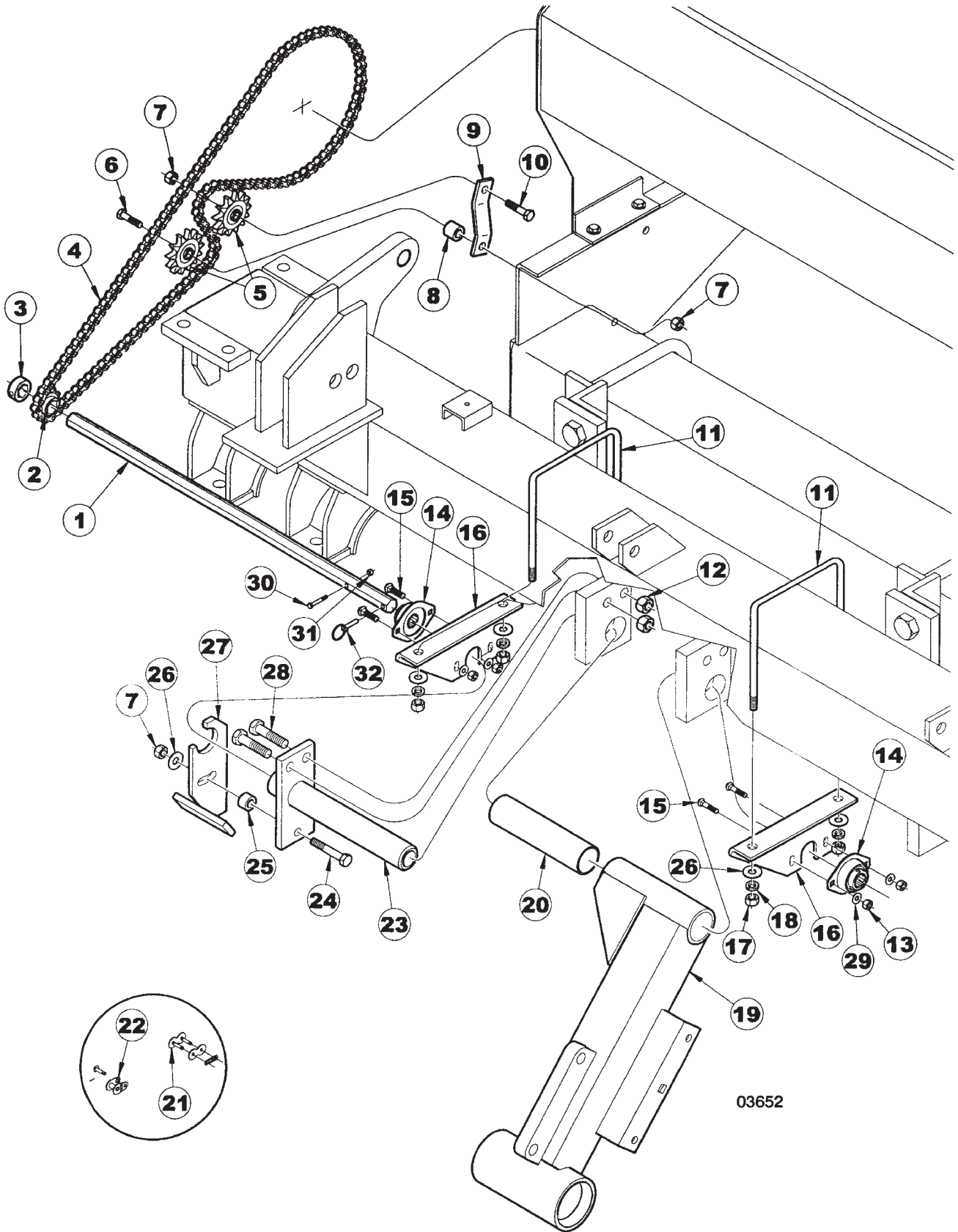


LOWER HALF OF THE CENTER SECTION GAUGE
WHEEL ASSEMBLY

ITEM	NUMBER	QTY	DESCRIPTION
1	SNDR41008		LINK, SINGLE CONNECTING #50 CHAIN
2	SNDR41007		LINK, SINGLE OFFSET #50 CHAIN
3	SN9079		SPROCKET, 24 TOOTH, 7/8" HEX BORE
4	SN9078		SPROCKET, 12 TOOTH, 7/8" HEX BORE
5	SN330		HEX BOLT, 1/2"-13 X 2" GR 5, Y/D
6	SNDR80029		SPROCKET, IDLER
7	SN12360		CHAIN, 48 11/16" L NO. 50
8	SN9882		CHAIN GUARD, GW, LT
	SN9881		CHAIN GUARD, GW, RT
9	SN1823		HEX BOLT, 1/2"-13 X 1 1/4", GR 5, Y/D
10	SN9683		1/2-13 FLANGE TOPLOCK NUT GR G CAD/ WAX
11	SN9886		BUSHING, 3/4" OD X 1/2" ID, 17/32" L
12	SN9884		IDLER BRACKET, LEFT
	SN9883		IDLER BRACKET, RIGHT
13	SN10325		SPRING, .105" WIRE DIA X 4 3/4" L EXTENSION Y/D
14	SN2096		LOCK NUT, 1/2"-13 HEX NYLON INSERT
15	SN9887		BUSHING, 3/4" OD X 1/2" ID, 1 1/16"L
16	SNDR30022		BEARING, 1 1/2" BORE W/LOCK COLLAR
17	SN9083		KLIK PIN, 1/4" DIA X 2 1/8"
18	SN7784		SHOULDER BOLT, 1/2"-20 X 1 7/8" PRESS IN, 3/8" SHOULDER
19	SN5151		TIRE, 9.5L 8 PLY TUBELESS W/15 X 6 WHEEL ASSY 6 BOLT
	SN3578		TIRE, 9.5L X 15, 8 PLY, TUBELESS
	SN5094		WHEEL, 15 X 6, 6-BOLT
	SN3577		VALVE STEM
20	SN1611		LUG NUT, 1/2"-20, GR 5, 90 DEG TAPER, Y/D
21	SNDR41518		ACREMETER, 9.5L/11L-15 X 30'
	SN6943		ACREMETER, 9.5L X 40'
22	SN9136		SPINDLE, GAUGE WHEEL, 6 BOLT HUB
23	SN9939		CARRIAGE BOLT, 1/2"-13 X 2 1/2", GR 5, Y/D
24	SN9178		CARRIAGE BOLT, 1/2"-13 X 3", GR 5, Y/D
25	SN10357		IDLER WELDMENT, CHAIN LEFT
	SN10356		IDLER WELDMENT, CHAIN RIGHT
26	SN10355		BUSHING, IDLER .750" OD X .532" ID, 1 9/16" L
27	SN10359		GUARD, CHAIN LEFT
	SN10358		GUARD, CHAIN RIGHT
28	SN12361		CHAIN, 2 7/16" L NO. 50

I0005664
PR: t05g30n06d0027

TOP HALF OF THE WING GAUGE WHEEL
ASSEMBLY



03652

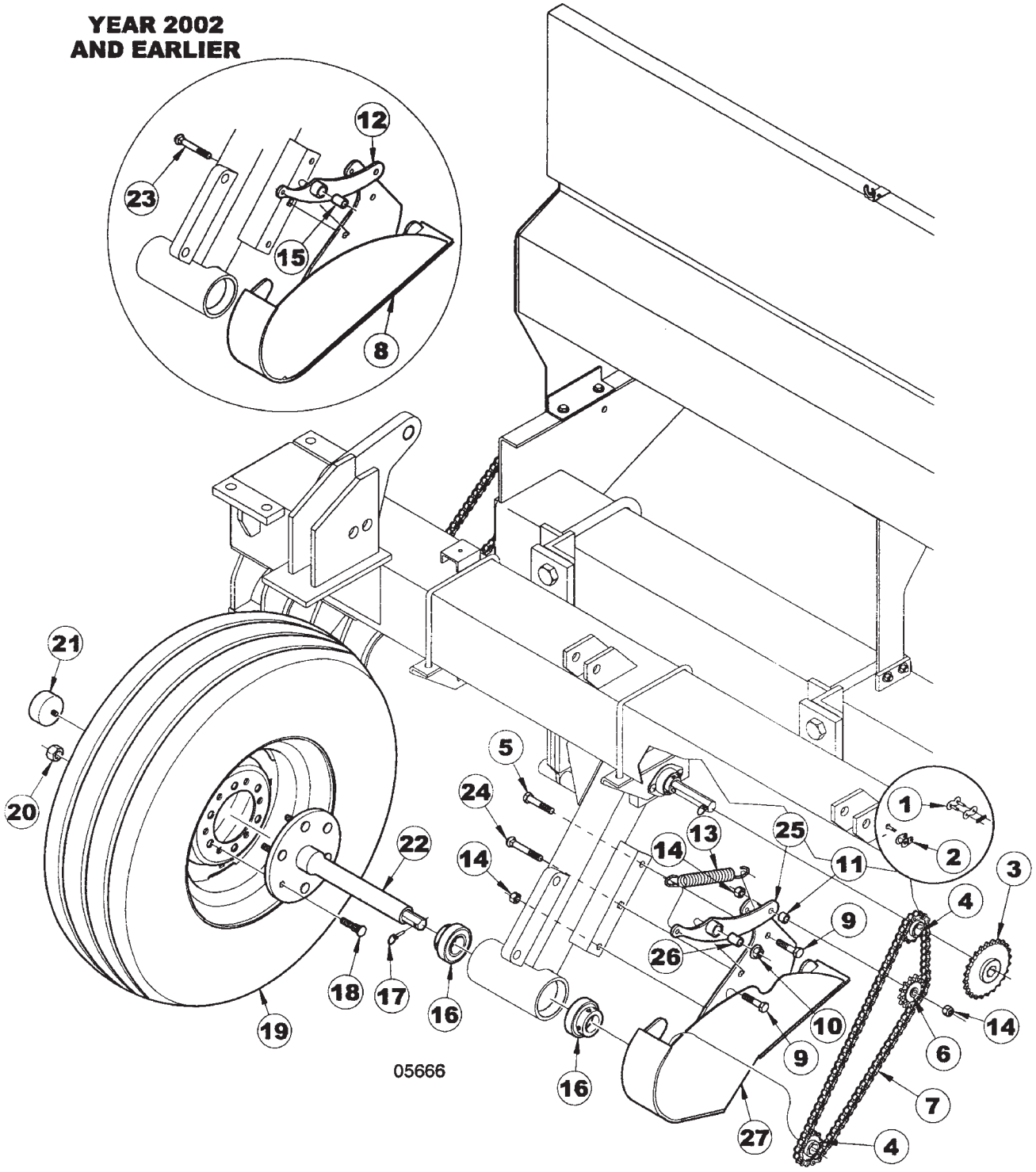
TOP HALF OF THE WING GAUGE WHEEL
ASSEMBLY

ITEM	NUMBER	QTY	DESCRIPTION
1	SN9151		JACKSHAFT, 7/8" HEX, 33 1/2" L
2	SN9077		SPROCKET, 10 TOOTH, 7/8" HEX BORE
3	SN9082		SET COLLAR, 7/8" HEX BORE, Y/D
4	SN9203		CHAIN, 83 1/8"L NO.50
5	SNDR80029		SPROCKET, IDLER
6	SN156		HEX BOLT, 1/2"-13 X 3", GR 5 Y/D
7	SN2096		LOCK NUT, 1/2"-13 HEX NYLON INSERT
8	SN9166R		SPACER, IDLER SPROCKET, UPPER, 7/8"L
9	SN9161		IDLER BRACKET, UPPER
10	SN2045		HEX BOLT, 1/2"-13 X 1 3/4", GR5, Y/D
11	SNDR80018		U-BOLT, 1/2"-13 X 8 1/4" X 7 5/8" W, GR 5, Y/D
12	SN669-1		LOCK NUT, 5/8" HEX NYLON
13	SN6378		LOCK NUT, 5/16" HEX NYLON
14	SN9081		BEARING, 7/8" HEX BORE
15	SN6376		CARRIAGE BOLT, 5/16"-18 X 1" GR 5, Y/D
16	SN9172		BEARING BRACKET, RT
	SN9173		BEARING BRACKET, LT
17	SN114		HEX NUT, 1/2"-13 FULL, GR 2, Y/D
18	SN113		LOCK WASHER, 1/2" SPLIT TYPE MED, Y/D
19	SN9129		GAUGE WHEEL AXLE, RT (SHOWN)
	SN9130		GAUGE WHEEL AXLE, LT
20	SN9137		BUSHING, 2" OD X 1 3/4" ID, 8"L, PLASTIC
21	SNDR41008		LINK, SINGLE CONNECTING #50 CHAIN
22	SNDR41007		LINK, SINGLE OFFSET #50 CHAIN
23	SN9135		PIN, GAUGE WHEEL, 12"L
24	SN112		HEX BOLT, 1/2"-13 X 2 1/2", GR 5, Y/D
25	SN9201		SPACER TUBE, 5/8"L
26	SN486		FLAT WASHER, 1/2", Y/D
27	SN10294		STOP, WHEEL
28	SN1298		HEX BOLT, 5/8"-11 X 2 1/2", GR 5, Y/D
29	SN6377		FLAT WASHER, 5/16" Y/D
30	SN2750		HEX BOLT, 1/4"-20 X 1 1/4", GR 2, Y/D
31	SN3881		LOCK NUT, 1/4"-20 HEX NYLON INSERT, GR 2, Y/D
32	SN9083		KLIK PIN, 1/4" DIA X 2 1/8"

I0003652
PR: t05g30n06d0028

LOWER HALF OF THE WING GAUGE WHEEL
ASSEMBLY

**YEAR 2002
AND EARLIER**

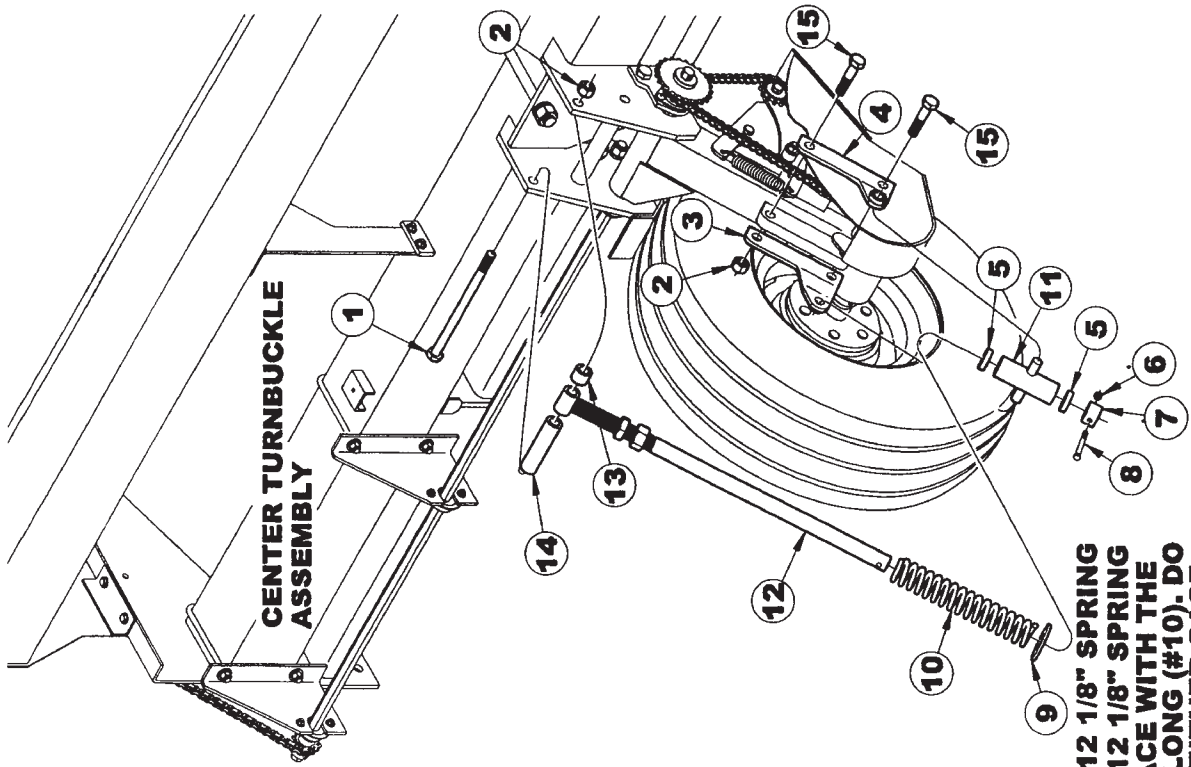


LOWER HALF OF THE WING GAUGE WHEEL
ASSEMBLY

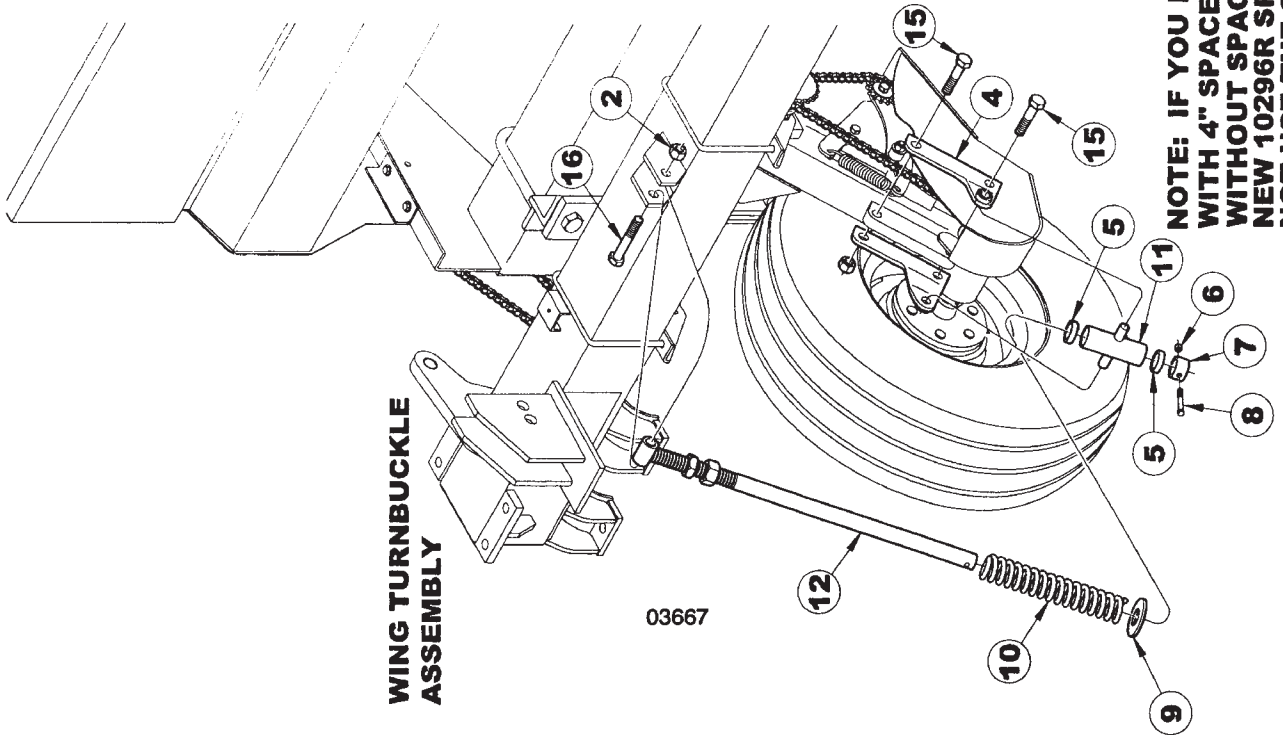
ITEM	NUMBER	QTY	DESCRIPTION
1	SNDR41008		LINK, SINGLE CONNECTING #50 CHAIN
2	SNDR41007		LINK, SINGLE OFFSET #50 CHAIN
3	SN9079		SPROCKET, 24 TOOTH, 7/8" HEX BORE
4	SN9078		SPROCKET, 12 TOOTH, 7/8" HEX BORE
5	SN330		HEX BOLT, 1/2"-13 X 2" GR 5, Y/D
6	SNDR80029		SPROCKET, IDLER
7	SN9888		CHAIN, 51" L NO. 50
8	SN9882		CHAIN GUARD, GW, LT
	SN9881		CHAIN GUARD, GW, RT (SHOWN)
9	SN1823		HEX BOLT, 1/2"-13 X 1 1/4", GR 5, Y/D
10	SN9683		1/2-13 FLANGE TOPLOCK NUT GR G CAD/ WAX
11	SN9886		BUSHING, 3/4" OD X 1/2" ID, 17/32" L
12	SN9884		IDLER BRACKET, LEFT
	SN9883		IDLER BRACKET, RIGHT
13	SN10325		SPRING, .105" WIRE DIA X 4 3/4" L EXTENSION Y/D
14	SN2096		LOCK NUT, 1/2"-13 HEX NYLON INSERT
15	SN9887		BUSHING, 3/4" OD X 1/2" ID, 1 1/16" L
16	SNDR30022		BEARING, 1 1/2" BORE W/LOCK COLLAR
17	SN9083		KLIK PIN, 1/4" DIA X 2 1/8"
18	SN7784		SHOULDER BOLT, 1/2"-20 X 1 7/8" PRESS IN, 3/8" SHOULDER
19	SN5151		TIRE, 9.5L 8 PLY TUBELESS W/15 X 6 WHEEL ASSY 6 BOLT
	SN3578		TIRE, 9.5L X 15, 8 PLY, TUBELESS
	SN5094		WHEEL, 15 X 6, 6-BOLT
	SN3577		VALVE STEM
20	SN1611		LUG NUT, 1/2"-20, GR 5, 90 DEG TAPER, Y/D
21	SNDR41518		ACREMETER, 9.5L/11L-15 X 30'
	SN6943		ACREMETER, 9.5L X 40'
22	SN9136		SPINDLE, GAUGE WHEEL, 6 BOLT HUB
23	SN9939		CARRIAGE BOLT, 1/2"-13 X 2 1/2", GR 5, Y/D
24	SN9178		CARRIAGE BOLT, 1/2"-13 X 3", GR 5, Y/D
25	SN10357		IDLER WELDMENT, CHAIN LEFT
	SN10356		IDLER WELDMENT, CHAIN RIGHT
26	SN10355		BUSHING, IDLER .750" OD X .532" ID, 1 9/16" L
27	SN10359		GUARD, CHAIN LEFT
	SN10358		GUARD, CHAIN RIGHT

I0005666
PR: t05g30n06d0029

TURNBUCKLE ASSEMBLY ON GAUGE WHEELS



NOTE: IF YOU HAVE THE 12 1/8" SPRING WITH 4" SPACER OR THE 12 1/8" SPRING WITHOUT SPACER, REPLACE WITH THE NEW 10296R SPRING 15" LONG (#10). DO NOT USE THE SPACER IN EITHER CASE.



03667

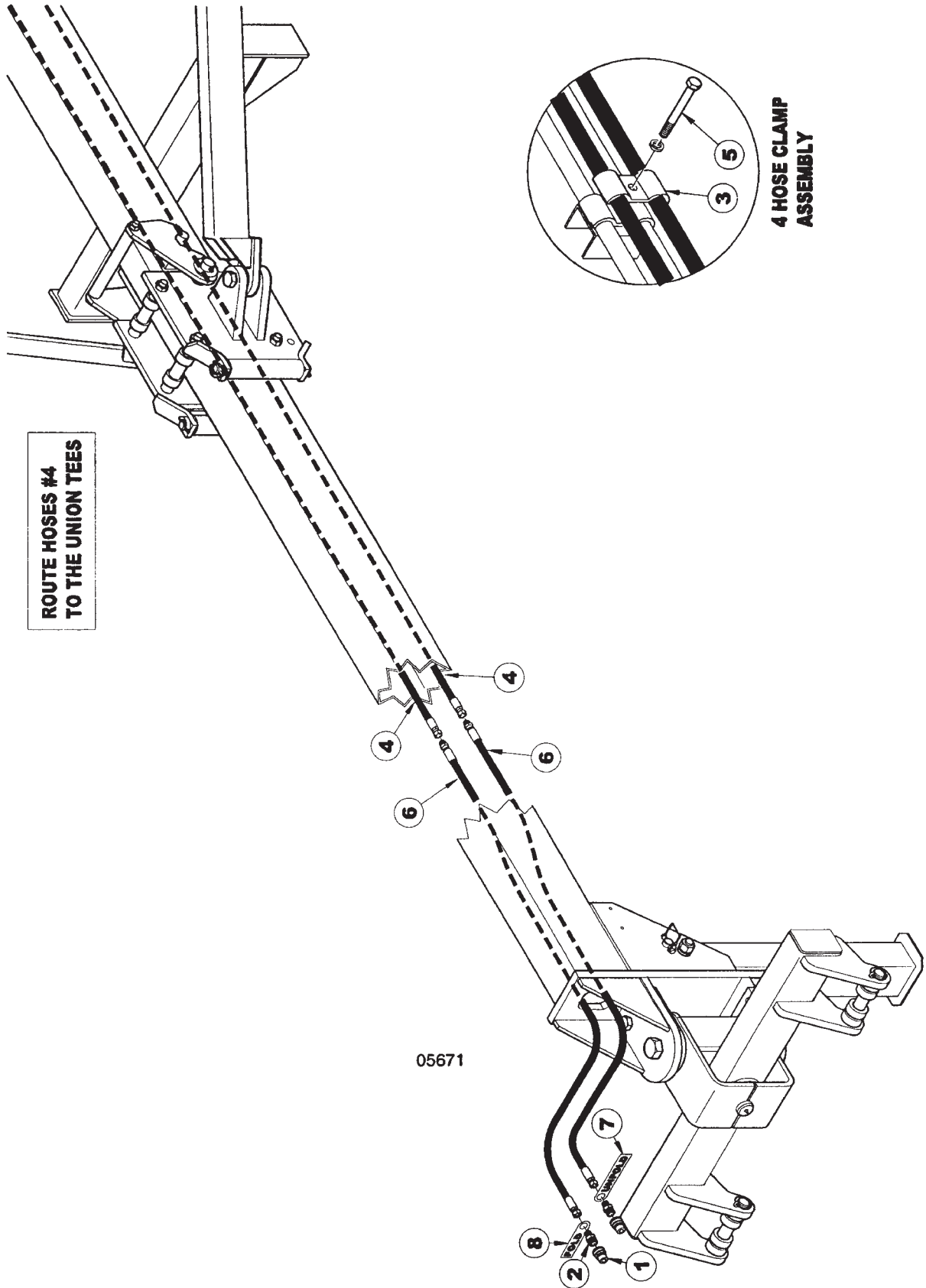
TURNBUCKLE ASSEMBLY ON GAUGE WHEELS

ITEM	NUMBER	QTY	DESCRIPTION
1	SN3411		HEX BOLT, 3/4"-10 X 11", GR 5, Y/D
2	SNHEN3410		LOCK NUT, 3/4" HEX NYLON
3	SN7518		BRACKET, GAUGE WHEEL RIGHT
4	SN7519		BRACKET, GAUGE WHEEL LEFT
5	SN7638R		SPACER TUBE, 1/2"
6	SN3567		LOCK NUT, 3/8"-16 HEX NYLON INSERT, GR 2, Y/D
7	SNB2610		COLLAR, 1.750" OD X 1.270" ID, 1" L
8	SN2487		HEX BOLT, 3/8"-16 X 2 1/2", GR 5, Y/D
9	SNFK150172		FLAT WASHER, 1 1/4" SAE, Y/D
10	SN10296		SPRING, 2.1875" OD X 1.4375" ID X 15" L, COMPRESSION .375" DIA
11	SN7517		CROSS, GAUGE WHEEL
12	SNB4103		TURNBUCKLE SCREW, Y/D
13	SN9164		SPACER, GW MOUNT, 1" L
14	SN9163		SPACER, GW MOUNT, 5 1/8" L
15	SN1345		HEX BOLT, 3/4"-10 X 3", GR 5, Y/D
16	SN1599		HEX BOLT, 3/4"-10 X 4", GR 5, Y/D

NOTE: IF YOU HAVE THE 12 1/8" SPRING
WITH 4" SPACER, OR THE 12 1/8" SPRING
WITHOUT SPACER, REPLACE WITH THE NEW
10296R SPRING 15" LONG (#10). DO NOT
USE THE SPACER IN EITHER CASE.

I0003667
PR: t05g30n06d0030

MAIN FRAME FOLD HYDRAULICS



ROUTE HOSES #4
TO THE UNION TEES

4 HOSE CLAMP
ASSEMBLY

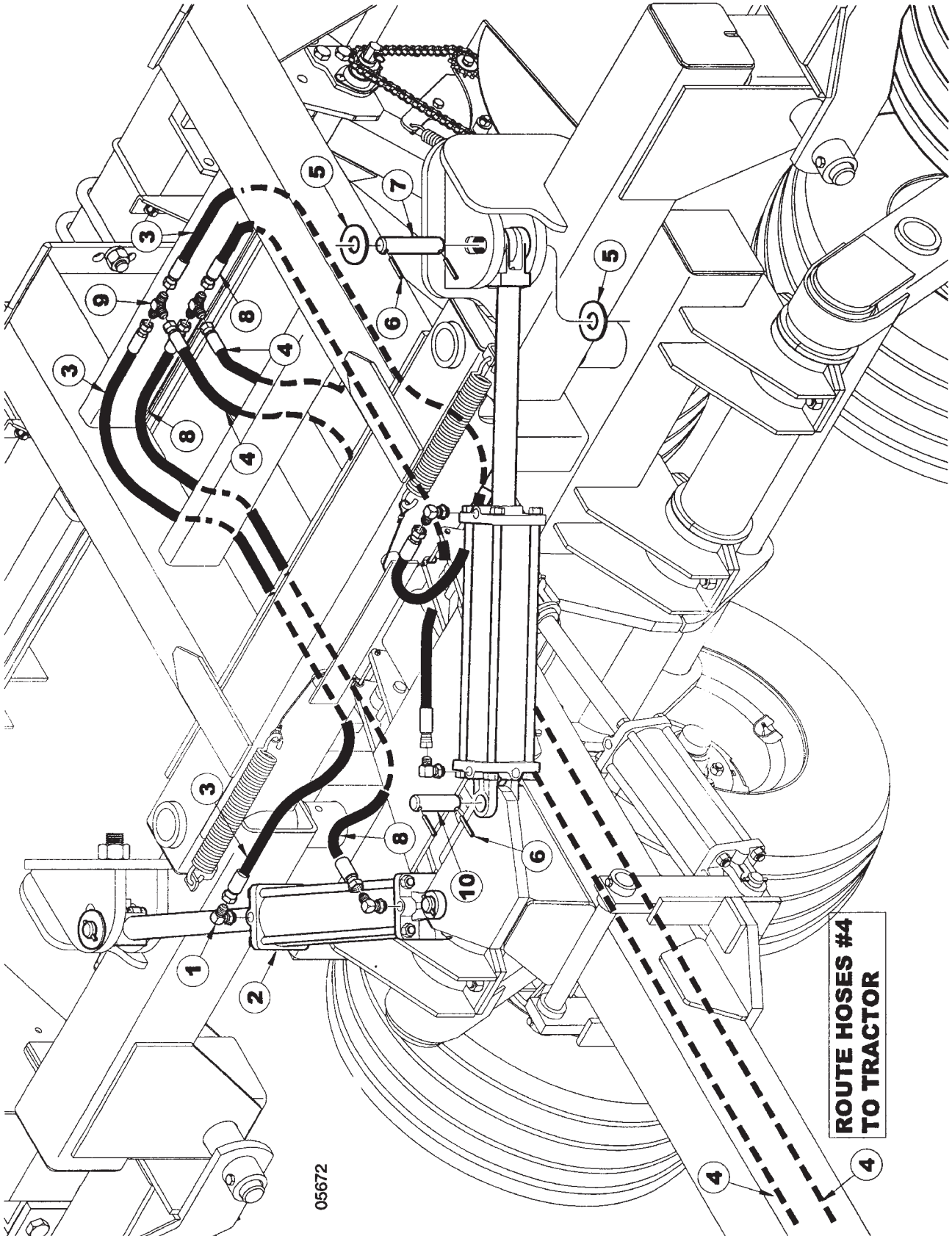
05671

ITEM	NUMBER	QTY	DESCRIPTION
1	SN3253		HYDRAULIC COUPLER, MALE HALF
2	SN2425		MALE CONNECTOR, 3/4"-16 MF X 1/2-14 MPT
3	SN5302		PIPE CLAMP, 3/8" BOLT HOLE
4	SN4200002		HOSE, 3/8" X 200" L, FEMALE ENDS
5	SN2487		HEX BOLT, 3/8"-16 X 2 1/2", GR 5, Y/D
6	SN4094003		HOSE, 3/8" X 94" L, M/F ENDS (30')
	SN4167003		HOSE, 3/8" X 167" L, M/F ENDS (40')

WARNING
THESE PARTS ARE IMPORTANT TO THE SAFETY
OF THIS EQUIPMENT AND THOSE WHO OPERATE
IT. USE ONLY EXACT REPLACEMENT PARTS TO
PREVENT HYDRAULIC FAILURE. BEFORE
REPLACING THESE PARTS, REVIEW AND FOLLOW
THE INSTRUCTIONS IN THE SAFETY AND
OPERATING SECTIONS OF THIS MANUAL.

I0005671
PR: t05g30n06d0031

CENTER FRAME FOLD HYDRAULICS



05672

ROUTE HOSES #4
TO TRACTOR

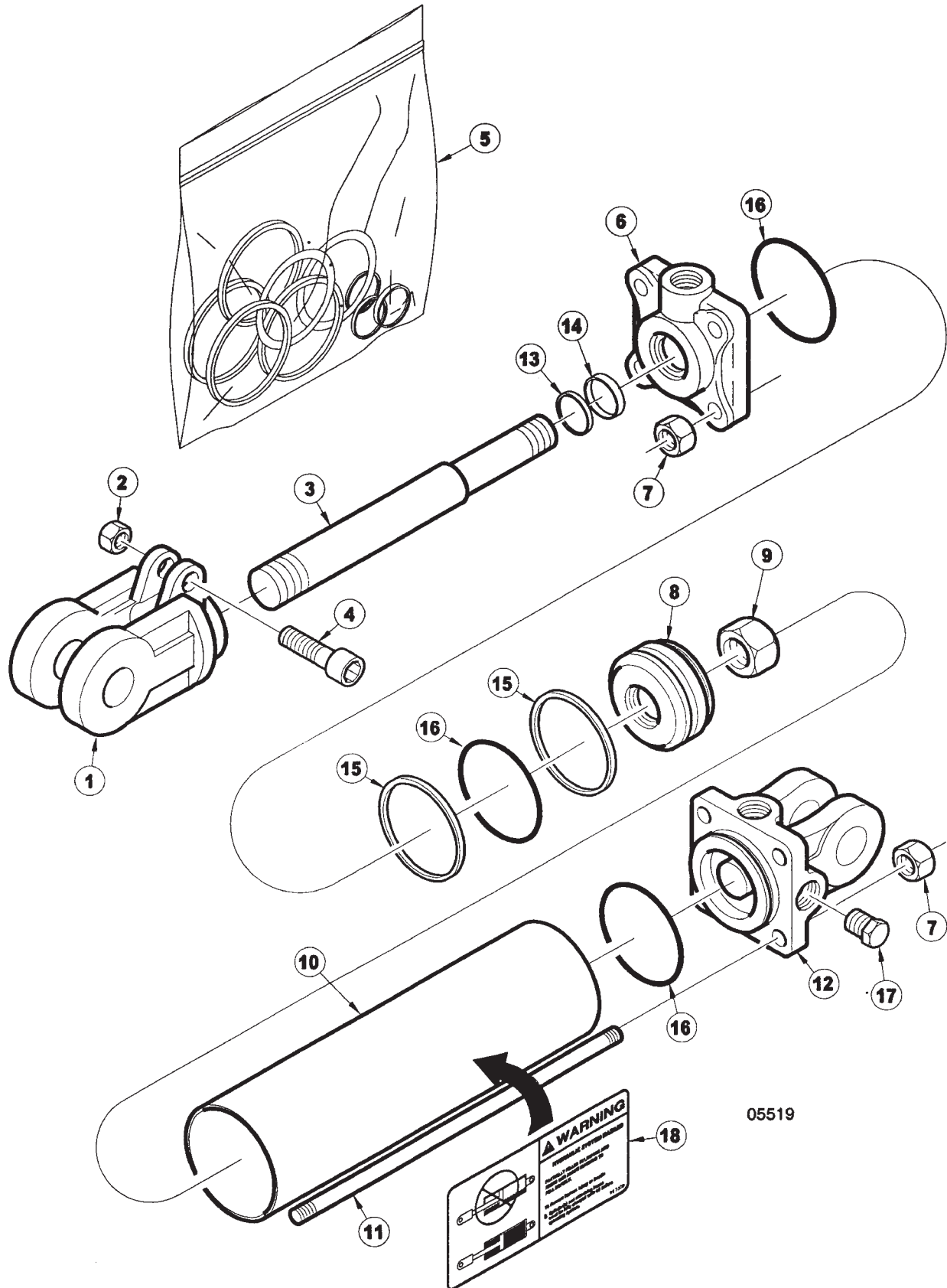
ITEM	NUMBER	QTY	DESCRIPTION
1	SN4466		90 DEG STR THD ELBOW, 3/4"-16 MF
2	SN9725		CYLINDER, 4" X 16" W/8618-1 CLEVIS (*VERSION 1, PRIOR TO 8/22/03)
	SN12012		CYLINDER, 4" X 16" W/8618-1 CLEVIS 3000 PSI (*VERSION 2, 8/22/03 & LATER)
3	SN4066002		HOSE, 3/8" X 66" L, FEMALE ENDS
4	SN4200002		HOSE, 3/8" X 200" L, FEMALE ENDS
5	SNFK150172		FLAT WASHER, 1 1/4" SAE, Y/D
6	SN3164		ROLL PIN, 5/16" X 2" SPIRAL MEDIUM DUTY, Y/D
7	SN9910		PIN, 1 1/4" X 6 3/8"
8	SN4060002		HOSE, 3/8" X 60" L, FEMALE ENDS
9	SN2429		UNION TEE, 3/4"-16 MF
10	SN9706		PIN, 1.243" X 4 1/16" (3"),Y/D

NOTE: *WHEN ORDERING HYDRAULIC CYLINDER COMPONENTS, BE SURE TO NOTE THE PART # AND THE CYLINDER PSI. (LOCATED ON THE CYLINDER DECAL) AS THEY CONTAIN DIFFERENT COMPONENTS. OLDER CYLINDERS WERE 2500 PSI. AND THE NEWER CYLINDERS ARE 3000 PSI. IDENTIFYING THE PART # OF THE CYLINDER IS EXTREMELY IMPORTANT WHEN ORDERING PARTS TO ENSURE PROPER OPERATION OF THE HYDRAULIC CYLINDER.

WARNING
THESE PARTS ARE IMPORTANT TO THE SAFETY OF THIS EQUIPMENT AND THOSE WHO OPERATE IT. USE ONLY EXACT REPLACEMENT PARTS TO PREVENT HYDRAULIC FAILURE. BEFORE REPLACING THESE PARTS, REVIEW AND FOLLOW THE INSTRUCTIONS IN THE SAFETY AND OPERATING SECTIONS OF THIS MANUAL.

I0005672
PR: t05g30n06d0032

4" X 16" HYDRAULIC CYLINDER 9725R
(VERSION 1, PRIOR TO 8/22/03)



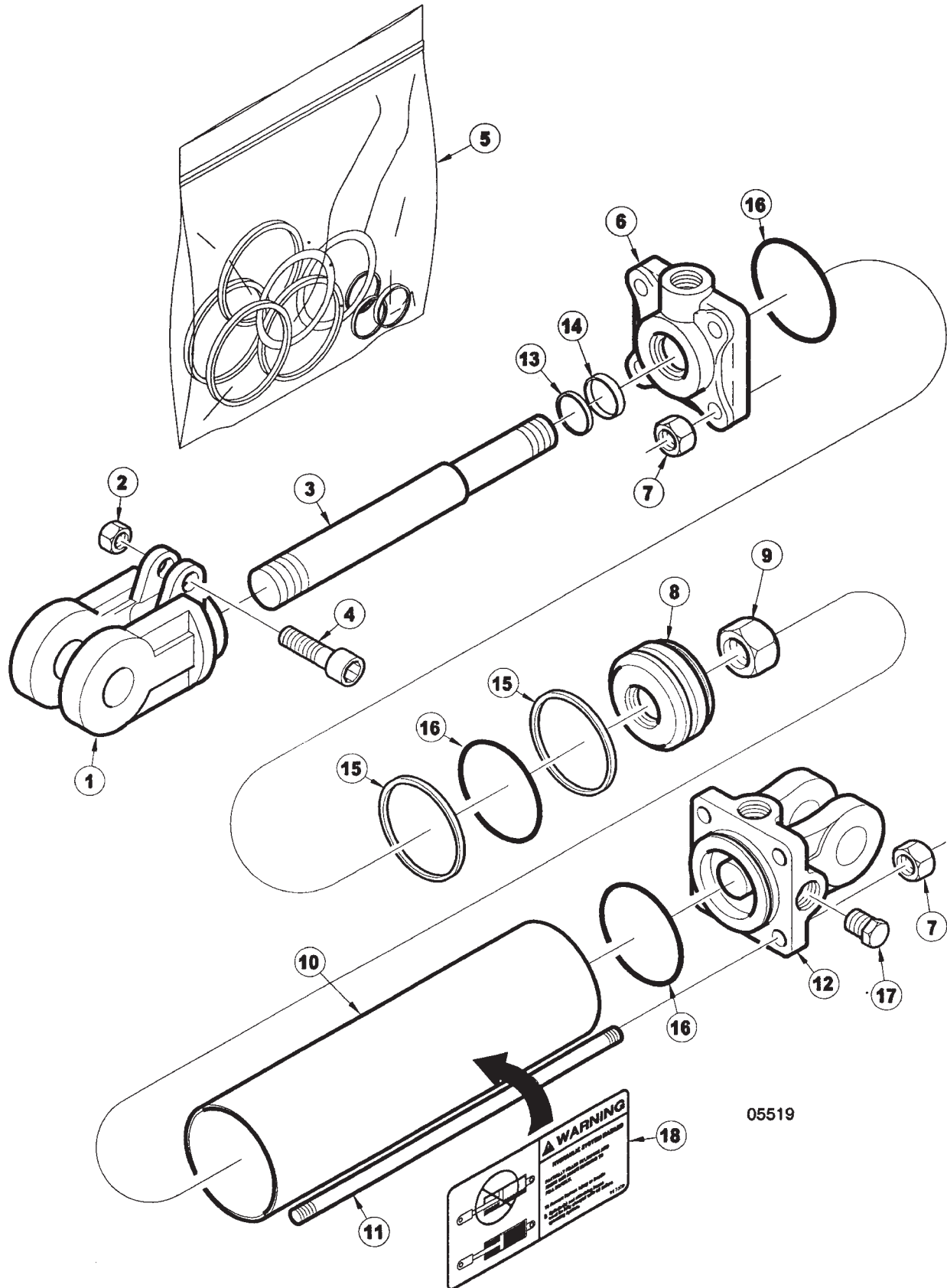
4" X 16" HYDRAULIC CYLINDER 9725R
(VERSION 1, PRIOR TO 8/22/03)

ITEM	NUMBER	QTY	DESCRIPTION
1	SN8618-1		CLEVIS, 1 1/4" THREADS, 1 1/4" PIN W/BUSHING, CROSS
2	SN8671-1		CAPSCREW NUT, 5/16" THREADS CROSS
3	SN8877-1		ROD, 1 1/2" DIA, 16" CROSS
4	SN8631-1		CAPSCREW, CROSS
5	SN8789-1		SEAL KIT, 4", 1 1/2" ROD REPHASING CROSS
6	SN8744-10		HEAD, 4", 1 1/2" ROD, CROSS (ORB)
7	SN8864-1		TIE ROD NUT, 5/8" THREADS
8	SN8713-1		PISTON, 4" W/1" HOLE CROSS
9	SN8681-1		PISTON NUT, 3/4" CROSS
10	SN8833-1		TUBE, 4" X 16" CROSS
11	SN8854-1		TIE ROD BOLT, 4" X 16" CROSS
12	SN8692-10		BASE, 4" (ORB), 1 1/4" PIN CROSS
13			* WIPER
14			* U-CUP
15			* BACKUP
16			* O-RING
17	SN4458		PLUG, 3/4"-16 MOR
18	SN997309		HYDRAULIC SYSTEM HAZARD

NOTE: * AVAILABLE IN THE SEAL KIT ONLY
WHEN ORDERING HYDRAULIC CYLINDER
COMPONENTS, BE SURE TO NOTE THE PART #
AND THE CYLINDER PSI. (LOCATED ON THE
CYLINDER DECAL) AS THEY CONTAIN
DIFFERENT COMPONENTS. OLDER CYLINDERS
WERE 2500 PSI. AND THE NEWER CYLINDERS
ARE 3000 PSI. IDENTIFYING THE PART # OF
THE CYLINDER IS EXTREMELY IMPORTANT WHEN
ORDERING PARTS TO ENSURE PROPER
OPERATION OF THE HYDRAULIC CYLINDER.

I0005519
PR: t05g30n06d0033

4" X 16" HYDRAULIC CYLINDER 12012R
(VERSION 2, 8/22/03 & LATER)



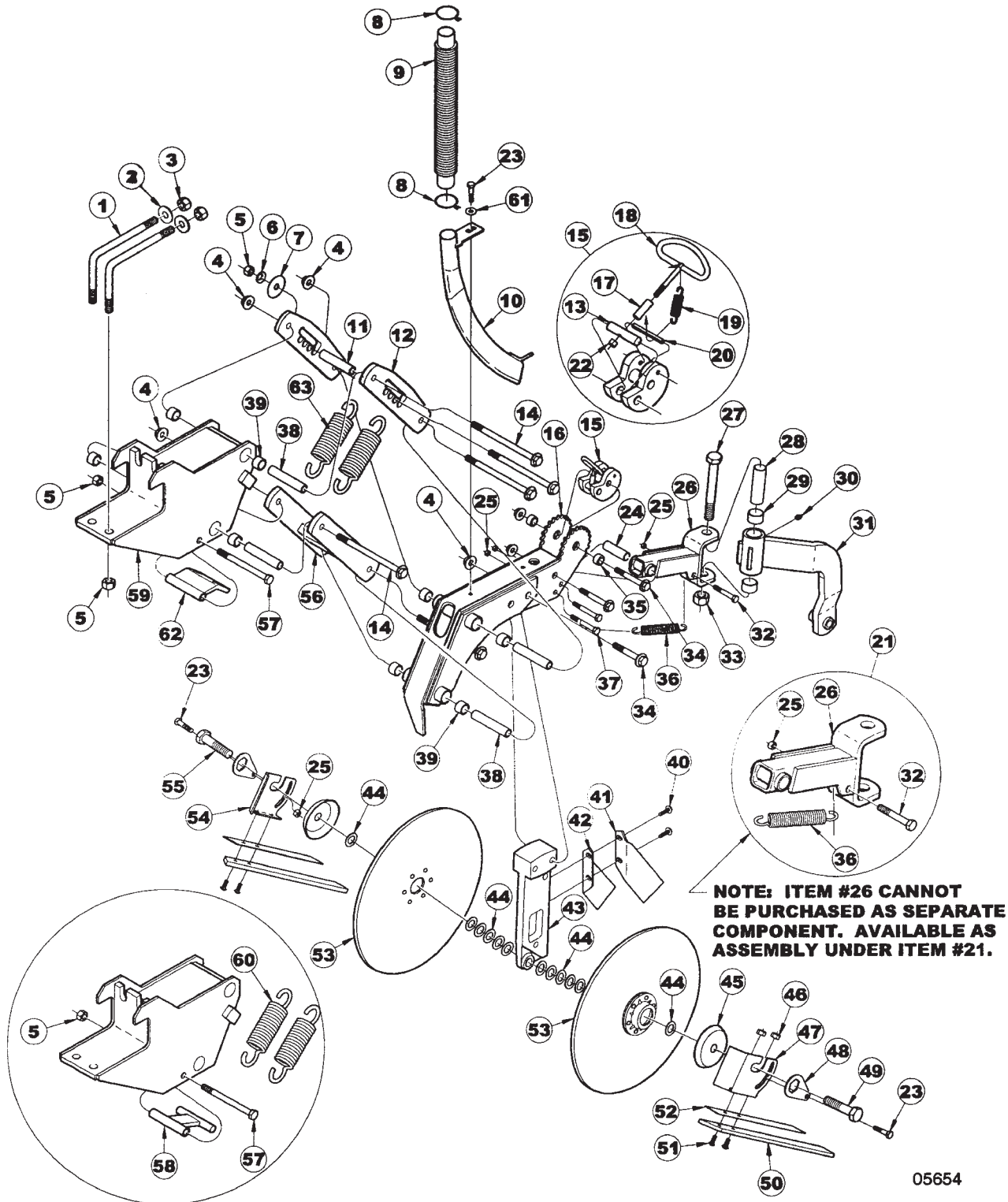
4" X 16" HYDRAULIC CYLINDER 12012R
(VERSION 2, 8/22/03 & LATER)

ITEM	NUMBER	QTY	DESCRIPTION
1	SN8618-1		CLEVIS, 1 1/4" THREADS, 1 1/4" PIN W/BUSHING, CROSS
2	SN8671-1		CAPSCREW NUT, 5/16" THREADS CROSS
3	SN12011		ROD, 1 1/2" DIA, 16" CROSS
4	SN8631-1		CAPSCREW, CROSS
5	SN8612-1		SEAL KIT, 4", 1 1/2" ROD, CROSS
6	SN8273-1		HEAD, 4", 1 1/2" ROD, CROSS
7	SN8864-1		TIE ROD NUT, 5/8" THREADS
8	SN8682-1		PISTON, 4" W/1" HOLE, CROSS
9	SN8681-1		PISTON NUT, 3/4" CROSS
10	SN8833-1		TUBE, 4" X 16" CROSS
11	SN8970-1		TIE ROD BOLT, 3 3/4" X 16" CROSS
12	SN8971-10		BASE, 4" (ORB), 1 1/4" PIN, REPHASING CROSS
13			* WIPER
14			* U-CUP
15			* BACKUP
16			* O-RING
17	SN4458		PLUG, 3/4"-16 MOR
18	SN997309		HYDRAULIC SYSTEM HAZARD

NOTE: *AVAILABLE IN THE SEAL KIT ONLY
WHEN ORDERING HYDRAULIC CYLINDER
COMPONENTS, BE SURE TO NOTE THE PART #
AND THE CYLINDER PSI. (LOCATED ON THE
CYLINDER DECAL) AS THEY CONTAIN
DIFFERENT COMPONENTS. OLDER CYLINDERS
WERE 2500 PSI. AND THE NEWER CYLINDERS
ARE 3000 PSI. IDENTIFYING THE PART # OF
THE CYLINDER IS EXTREMELY IMPORTANT WHEN
ORDERING PARTS TO ENSURE PROPER
OPERATION OF THE HYDRAULIC CYLINDER.

I0005519
PR: t05g30n06d0034

ALL PURPOSE HEADS UP OPENER



05654

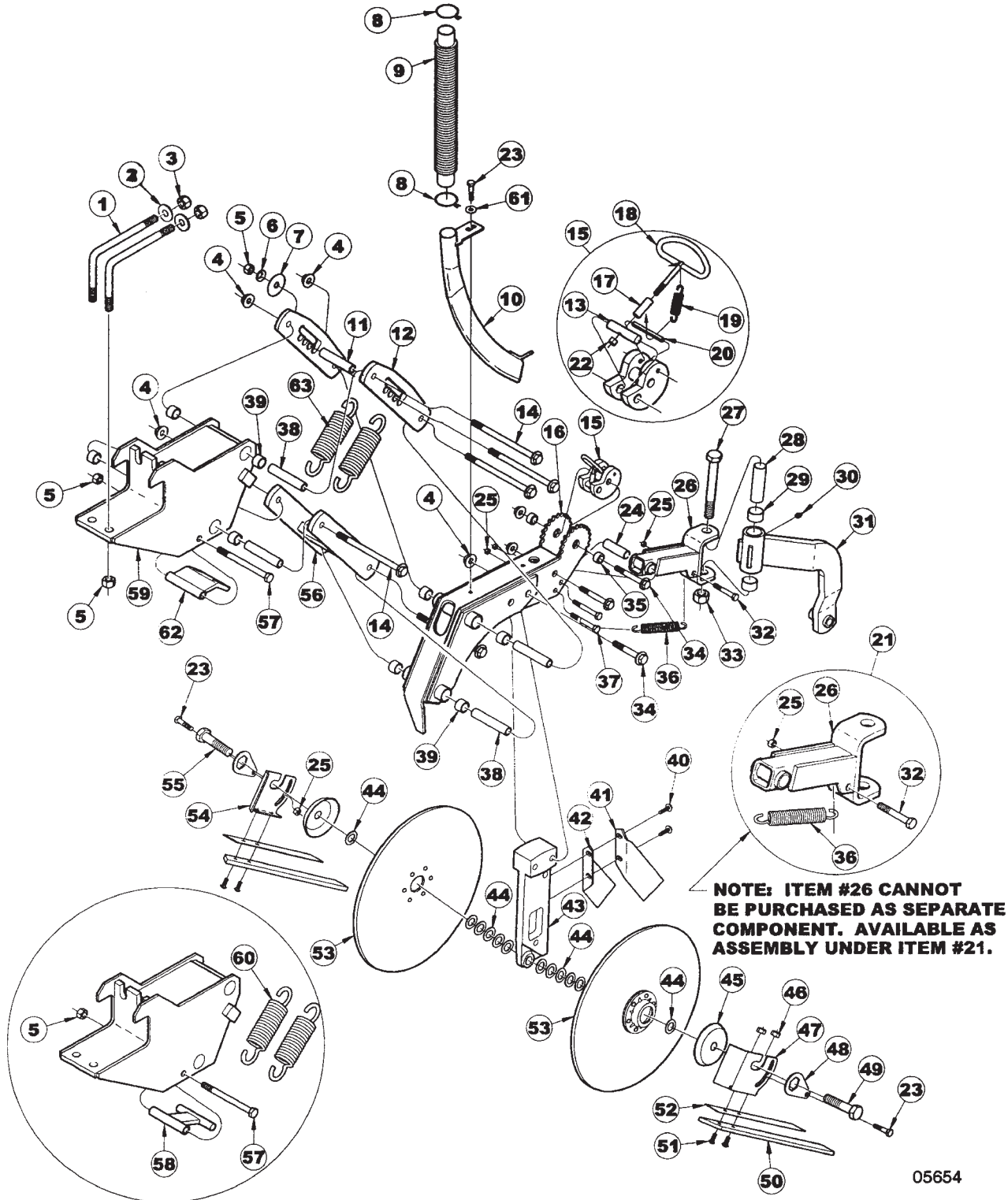
SERIAL # 09433L20020107 & EARLIER

ITEM	NUMBER	QTY	DESCRIPTION
1	SN7024		L-BOLT, 5/8"-11 X 4 5/8" X 6 5/8", Y/D
2	SNFK150283		FLAT WASHER, 5/8" SAE, Y/D
3	SN669-1		LOCK NUT, 5/8" HEX NYLON
4	SN9683		1/2-13 FLANGE TOPLOCK NUT GR G CAD/ WAX
5	SN2096		LOCK NUT, 1/2"-13 HEX NYLON INSERT
6	SN6618		WASHER, .531"ID X .813"OD, .129" CROWN HEIGHT, CURVED SPRING
7	SN6619		WASHER, .531" ID X 2.000" OD X .058" THICK, Y/D
8	SNDR12011		CLAMP, SEED TUBE
9	SNDR20004		SEED TUBE, RUBBER
10	SN9937		SEED TUBE, ALL PURPOSE HEADS UP
11	SN7033B		SPACER TUBE, 4 1/2" L,
12	SN7032		PARALLEL LINKAGE, 11" TOP, ALL PURPOSE
13	SN7084		DEPTH LOCK PIN, Y/D
14	SN9680		HHFS 1/2"-13 X 6 1/2" GR5 Y/D
15	SN9102		DEPTH CAM ASSY, ALL PURPOSE
16	SN7034B		OPENER FRAME, ALL PURPOSE
17	SN7085		SPACER, DEPTH LOCK, Y/D
18	SN7040		DEPTH LOCK, ALL PURPOSE, Y/D
19	SN7083		SPRING, .500" OD X .375" ID, 1 1/2" L EXTENSION
20	SN6440		ROLL PIN, 1/4" X 1 3/4" MEDIUM DUTY, Y/D
21	SN10333		PRESS WHEEL FRAME SWIVEL, W/SPRING, ALL PURPOSE
22	SN3881		LOCK NUT, 1/4"-20 HEX NYLON INSERT, GR 2, Y/D
23	SN1193		HEX BOLT, 3/8"-16 X 3/4", GR 5, Y/D
24	SN7042		CLAMP BUSHING, .750" OD X .532" ID, .109 W, 2 5/64" L
25	SN3567		LOCK NUT, 3/8"-16 HEX NYLON INSERT, GR 2, Y/D
26	SN7041		PRESS WHEEL FRAME, SWIVEL, ALL PURPOSE
27	SN1021		HEX BOLT, 3/4"-10 X 5 1/2", GR 5, Y/D
28	SN7043		CLAMP BUSHING, 1" OD X .760"ID, .120" W, 3 5/8" L
29	SN5934		BUSHING, 1 1/4" OD X 1" ID, 5/8" L (HARD) SPRING
30	SN2098-1		GREASE ZERK, 1/8" NPTF, 5/8" L
31	SN9101		PRESS WHEEL FRAME, REAR ALL PURPOSE (SERIAL# 09433F20020043 & EARLIER)
	SN7044B		PRESS WHEEL FRAME, REAR ALL PURPOSE (SERIAL# 09433F20020044 & LATER)
32	SN2487		HEX BOLT, 3/8"-16 X 2 1/2", GR 5, Y/D
33	SNHEN3410		LOCK NUT, 3/4" HEX NYLON
34	SN9682		HHFS 1/2"-13 X 3 3/4" GR5 Y/D
35	SN7034		BUSHING, DEPTH CONTROL, 1/2"
36	SN9708		SPRING, .162" WIRE DIA X 5" L EXTENS
37	SN3806		HEX BOLT, 3/8"-16 X 3", GR 5, Y/D

CONTINUED

I0005654
PR: t05g30n06d0035

ALL PURPOSE HEADS UP OPENER



05654

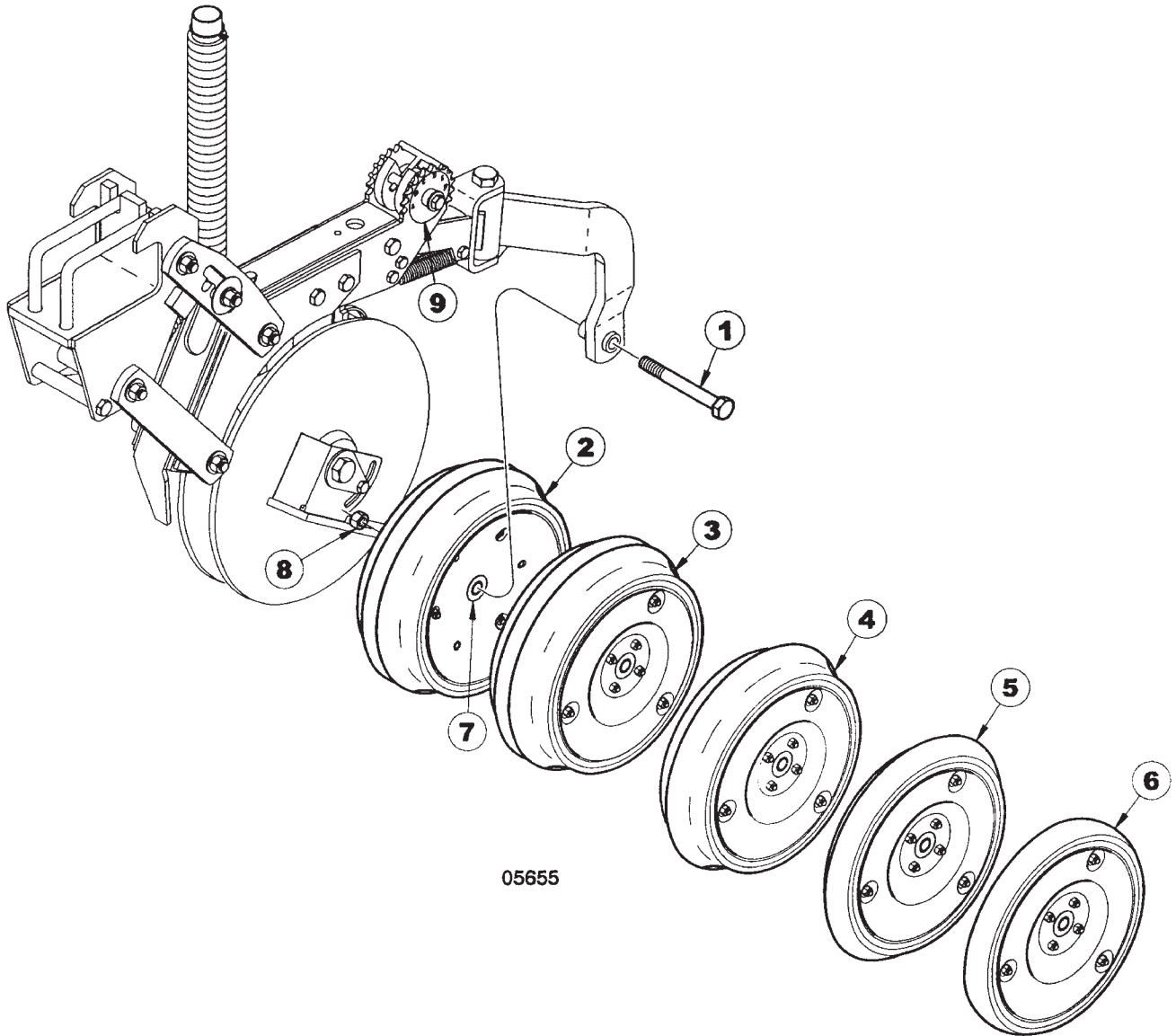
SERIAL # 09433L20020107 & EARLIER

ALL PURPOSE HEADS UP OPENER

ITEM	NUMBER	QTY	DESCRIPTION
38	SN7029		CLAMP BUSHING, 4 21/32"
39	SN5935		BUSHING, 1" OD X 3/4" ID, 5/8" L (HARD) SPRING
40	SN10463		HEX FLANGE BOLT, 5/16"-18 X 3/4" GR5, Y/D
41	SN10127		SCRAPER, OPENER LEFT
42	SN10126		SCRAPER, OPENER RIGHT
43	SN9780		OPENER BAR, ALL PURPOSE, HEADS UP
44	SNDR80011		WASHER, MACHINE
45	SNB1127		DUST CAP
46	SN6378		LOCK NUT, 5/16" HEX NYLON
47	SN7205		MOUNTING BRACKET, SOIL CONTROL DEVIC
48	SN7203		LOCKING ARM
49	SNDR81044		HEX BOLT, 3/4"-10 LH X 2", GR 5, Y/D
50	SN7201		SOIL CONTROL STRIP
51	SN6376		CARRIAGE BOLT, 5/16"-18 X 1" GR 5, Y/D
52	SN7859		SUPPOT, SOIL CONTROL STRIP
53	SN9753N		OPENER BLADE & BRG ASSEMBLY,HEADS UP
54	SN7204		MOUNTING BRACKET, SOIL CONTROL DEVIC
55	SN1220		HEX BOLT, 3/4"-10 X 2", GR 5 Y/D
56	SN10542		PARALLEL LINKAGE, 11" LOWER, ALL PURPOSE
57	SN840		HEX BOLT, 1/2"-13 X 5 1/2", GR 5, Y/D
58	SN7030		SPRING ANCHOR, ALL PURPOSE (SERIAL # 09433L20020107 & EARLIER)
59	SN7028		OPENER MOUNT, LONG, ALL
	SN7027		OPENER MOUNT, SHORT, ALL
60	SN7026		SPRING, 1.6875" OD X 1.1635" ID, 7 5/16" L, EXTENSION BLACK (SERIAL # 09433L20020107 & EARLIER)
61	SN317		FLAT WASHER, 3/8", Y/D
62	SN12348		SPRING ANCHOR,56 DEG ALL PURPOSE,Y/D (SERIAL # 09433L20020108 & LATER)
63	SN10479		SPRING, 2.125"OD X 1.513"ID, 8 3/8" L, EXTENSION BLACK (SERIAL # 09433L20020108 & LATER)
	SN7266		SOIL CONTROL DEVICE ASSY
	SN9879		ALL PURPOSE OPENER ASSEMBLY, HEADS UP, SHORT
	SN9880		ALL PURPOSE OPENER ASSEMBLY, HEADS UP, LONG

I0005654
PR: t05g30n06d0035

ALL PURPOSE HEADS UP OPENER PRESS WHEEL
ASSEMBLY



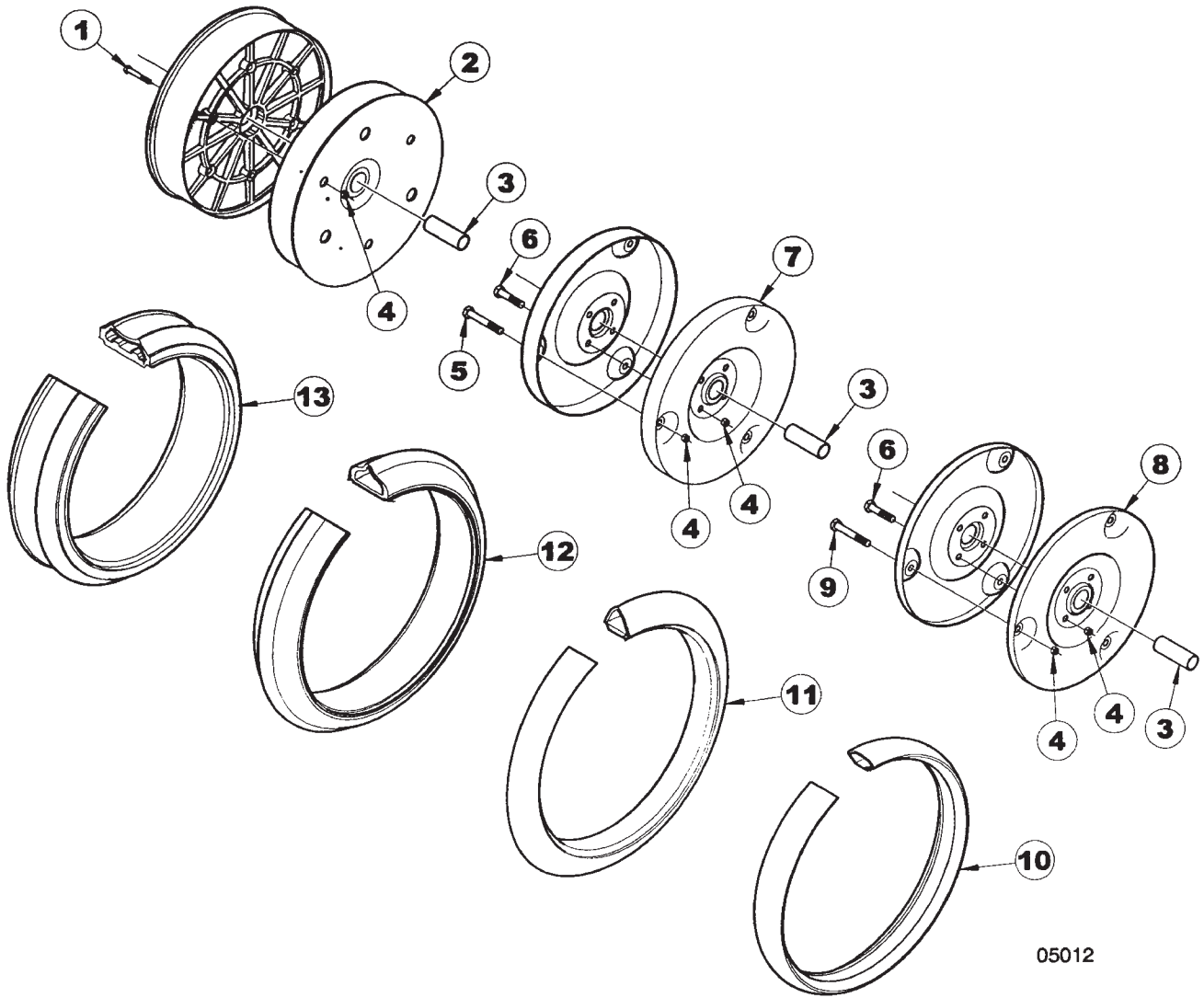
05655

ALL PURPOSE HEADS UP OPENER PRESS WHEEL
ASSEMBLY

ITEM	NUMBER	QTY	DESCRIPTION
1	SN2557		HEX BOLT, 5/8"-11 X 4 1/2", GR 5, Y/D
2	SN6869		PRESS WHEEL ASSY, 4" X 12" DOUBLE RIB NYLON RIM
3	SN7375		PRESS WHEEL ASSY, 3" X 13" DOUBLE RIB STEEL RIM
4	SN6866		PRESS WHEEL ASSY, 3" X 13" CENTER RIB STEEL RIM
5	SN6868		PRESS WHEEL ASSY, 2" X 13" V-CROWN STEEL RIM
6	SN6867		PRESS WHEEL ASSY, 2" X 13" SMOOTH CROWN STEEL RIM
7	SN7218		BEARING, 40MM
8	SN669-1		LOCK NUT, 5/8" HEX NYLON
9	SN997407		DEPTH DECAL

I0005655
PR: t05g30n06d0036

PRESS WHEEL & TIRE ASSEMBLY

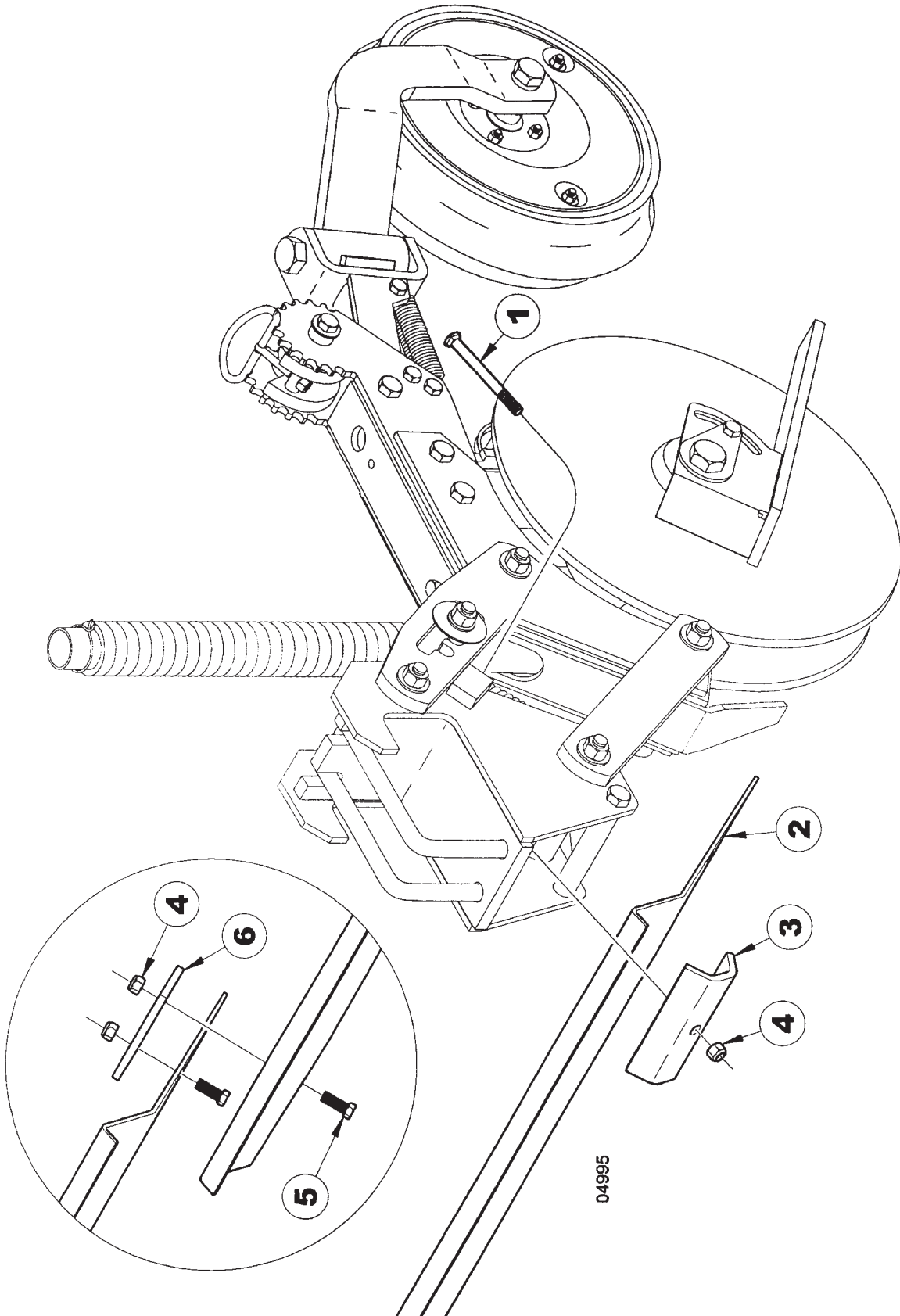


05012

ITEM	NUMBER	QTY	DESCRIPTION
1	SN7416		HEX BOLT, 1/4"-20 X 2", GR 5, Y/D
2	SN9109		RIM, 4" X 12" NYLON HALF F/40 MM BRG
3	SN7218		BEARING, 40MM
4	SN3881		LOCK NUT, 1/4"-20 HEX NYLON INSERT, GR 2, Y/D
5	SN2487		HEX BOLT, 3/8"-16 X 2 1/2", GR 5, Y/D
6	SN7415		HEX BOLT, 3/8"-16 X 1 3/8" GR 5, Y/D
7	SN7412		RIM, 3" X 13" 13 GA CLINCHER HALF
8	SN7413		RIM, 2" X 13" 13 GA CLINCHER HALF FOR 40MM
9	SN175		HEX BOLT, 3/8"-16 X 1 1/2", GR 5, Y/D
10	SN7411		TIRE, 2" X 13" SMOOTH CROWN CLINCHER
11	SN7409		TIRE, 2" X 13" V-CROWN
12	SN7410		TIRE, 3" X 13" CENTER RIB
13	SN7408		TIRE, 4" X 12" DOUBLE RIB
	SN7407		TIRE, 3" X 13" DOUBLE RIB CLINCHER

I0005012
PR: t05g30n06d0037

OPENER SHIELD ASSEMBLY

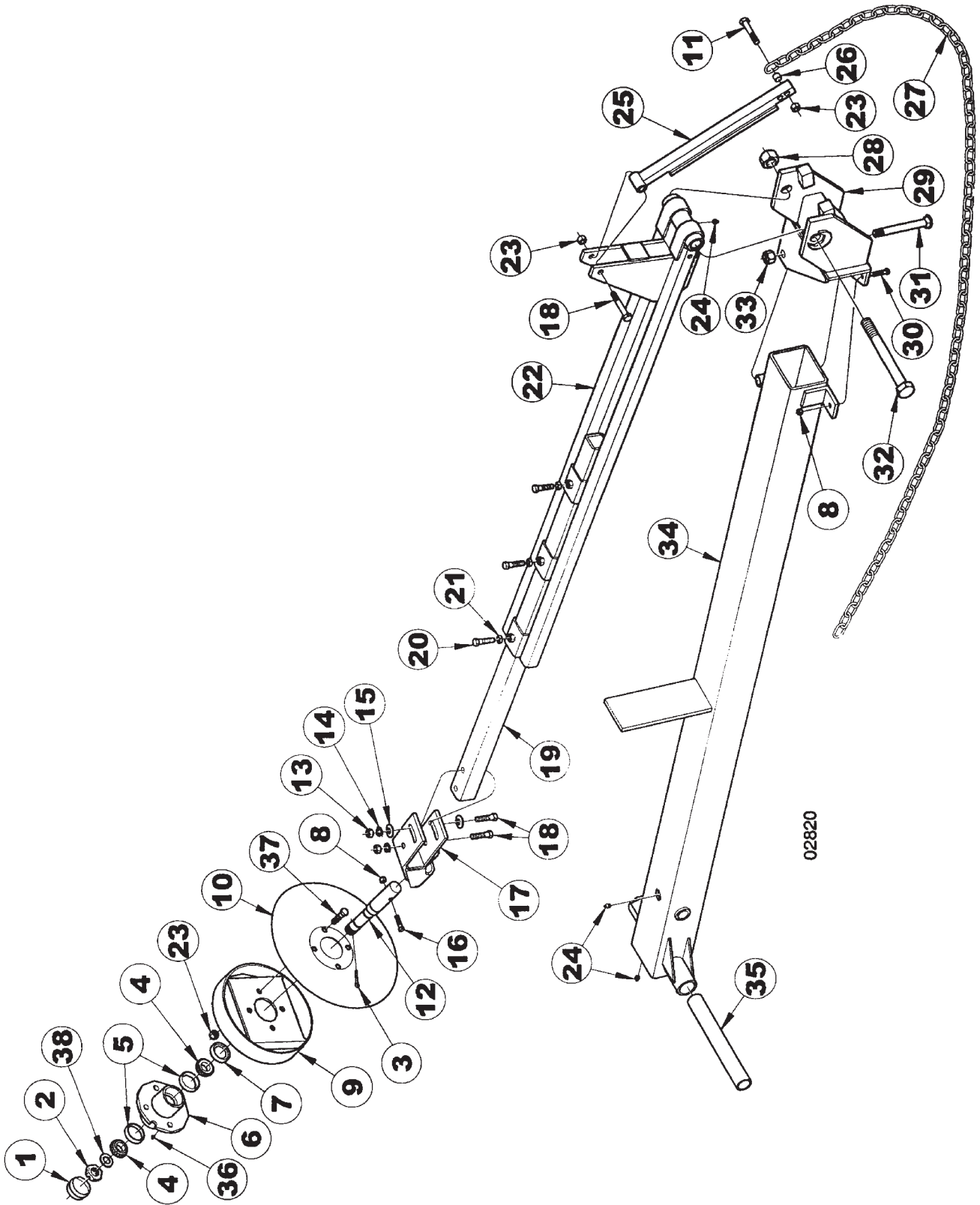


OPENER SHIELD ASSEMBLY

ITEM	NUMBER	QTY	DESCRIPTION
1	SN6682		CARRIAGE BOLT, 3/8"-16 X
2	SN7223		OPENER SHIELD, 5' (30' & 40' DRILL)
	SN7224		OPENER SHIELD, 7.5' (40' DRILL)
3	SN7221		MOUNTING CLIP
4	SN3567		LOCK NUT, 3/8"-16 HEX NYLON INSERT, GR 2, Y/D
5	SN178		HEX BOLT, 3/8"-16 X 1", GR 5, Y/D
6	SN7222		TIE STRAP
	SN7229		OPENER SHIELD ASSY, 30' DRILL
	SN7230		OPENER SHIELD ASSY, 40' DRILL

I0004995
PR: t05g30n06d0038

ROW MARKER ASSEMBLY

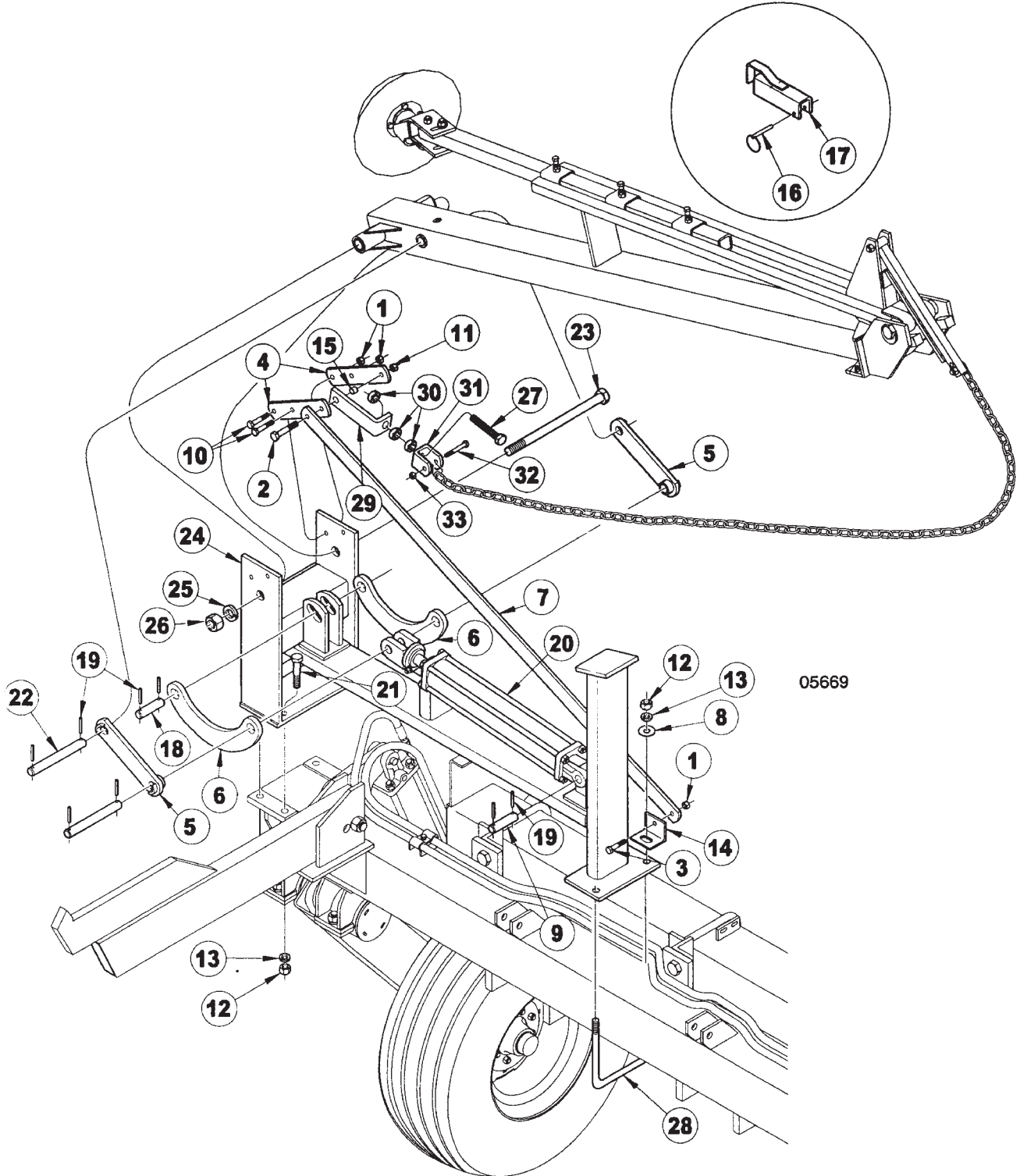


ROW MARKER ASSEMBLY

ITEM	NUMBER	QTY	DESCRIPTION
1	SN7779		DUST CAP, 1.986" OD X .032" TH Y/D
2	SN7778		HEX NUT, 1"-14 SLOTTED .531" TH GR 2, PLAIN
3	SN1609		COTTER PIN, 3/16" X 1 1/2"
4	SN776		BEARING (L44643)
5	SN777		RACE (L44610)
6	SN7780		FOUR BOLT HUB W/CUPS & ZERK
7	SN7775		SEAL, SINGLE LIP
8	SN3567		LOCK NUT, 3/8"-16 HEX NYLON INSERT, GR 2, Y/D
9	SN7781		MARKER ARM DEPTH BAND
10	SN7773		14" BLADE, 4 BOLT, .138" THICK .78" CONCAVITY
11	SN112		HEX BOLT, 1/2"-13 X 2 1/2", GR 5, Y/D
12	SN7825		SPINDLE, 1 1/4" X 8 5/8"(1"-14 UNS THD)
13	SN114		HEX NUT, 1/2"-13 FULL, GR 2, Y/D
14	SN113		LOCK WASHER, 1/2" SPLIT TYPE MED, Y/D
15	SN486		FLAT WASHER, 1/2", Y/D
16	SN2487		HEX BOLT, 3/8"-16 X 2 1/2", GR 5, Y/D
17	SN7782		HUB BRACKET
18	SN1507		HEX BOLT, 1/2"-13 X 3 1/2", GR 5, Y/D
19	SNB2632		EXTENSION ARM, 48"L
20	SN2045		HEX BOLT, 1/2"-13 X 1 3/4", GR5, Y/D
21	SN159		JAM NUT, 1/2"-13, GR 2, Y/D
22	SN6646		MARKER ARM, 30' OUTER
	SN6815		MARKER ARM, 40' OUTER
23	SN2096		LOCK NUT, 1/2"-13 HEX NYLON INSERT
24	SN2098-1		GREASE ZERK, 1/8" NPTF, 5/8" L
25	SN7755		MARKER LINKAGE ARM, OUTER
26	SN7667		SPACER, .750"OD X .532"ID, 3/8"L
27	SN7445		CHAIN, 5/16" PROOF, 78 3/4" L
	SN7446		CHAIN, 5/16" PROOF, 109 1/8" L
28	SN3938		LOCK NUT, 1"-8 HEX NYLON
29	SN7752		MARKER PIVOT HEAD, RIGHT
	SN7753		MARKER PIVOT HEAD, LEFT
30	SN175		HEX BOLT, 3/8"-16 X 1 1/2", GR 5, Y/D
31	SN7754		CARRIAGE BOLT, 3/4"-10 X 6", GR 5, Y/D
32	SN2316		HEX BOLT, 1"-8 X 8 1/2", GR 5, Y/D
33	SNHEN3410		LOCK NUT, 3/4" HEX NYLON INSERT, GR 5, Y/D
34	SN7748		MARKER ARM, 30' INNER RIGHT
	SN7749		MARKER ARM, 30' INNER LEFT
	SN7750		MARKER ARM, 40' INNER RIGHT
	SN7751		MARKER ARM, 40' INNER LEFT
35	SN6652		BUSHING, 1.500" OD X 1.156" ID 1 7/16" L
36	SN2098-6		GREASE ZERK, 1/4"-28, 17/32" L
37	SN2045		HEX BOLT, 1/2"-13 X 1 3/4", GR5, Y/D
38	SN3303		WASHER, 1 1/32" ID X 1 3/4" ODX 1/8" THICK, PLAIN

I0002820
PR: t05g30n06d0039

ROW MARKER MOUNT ASSEMBLY



05669

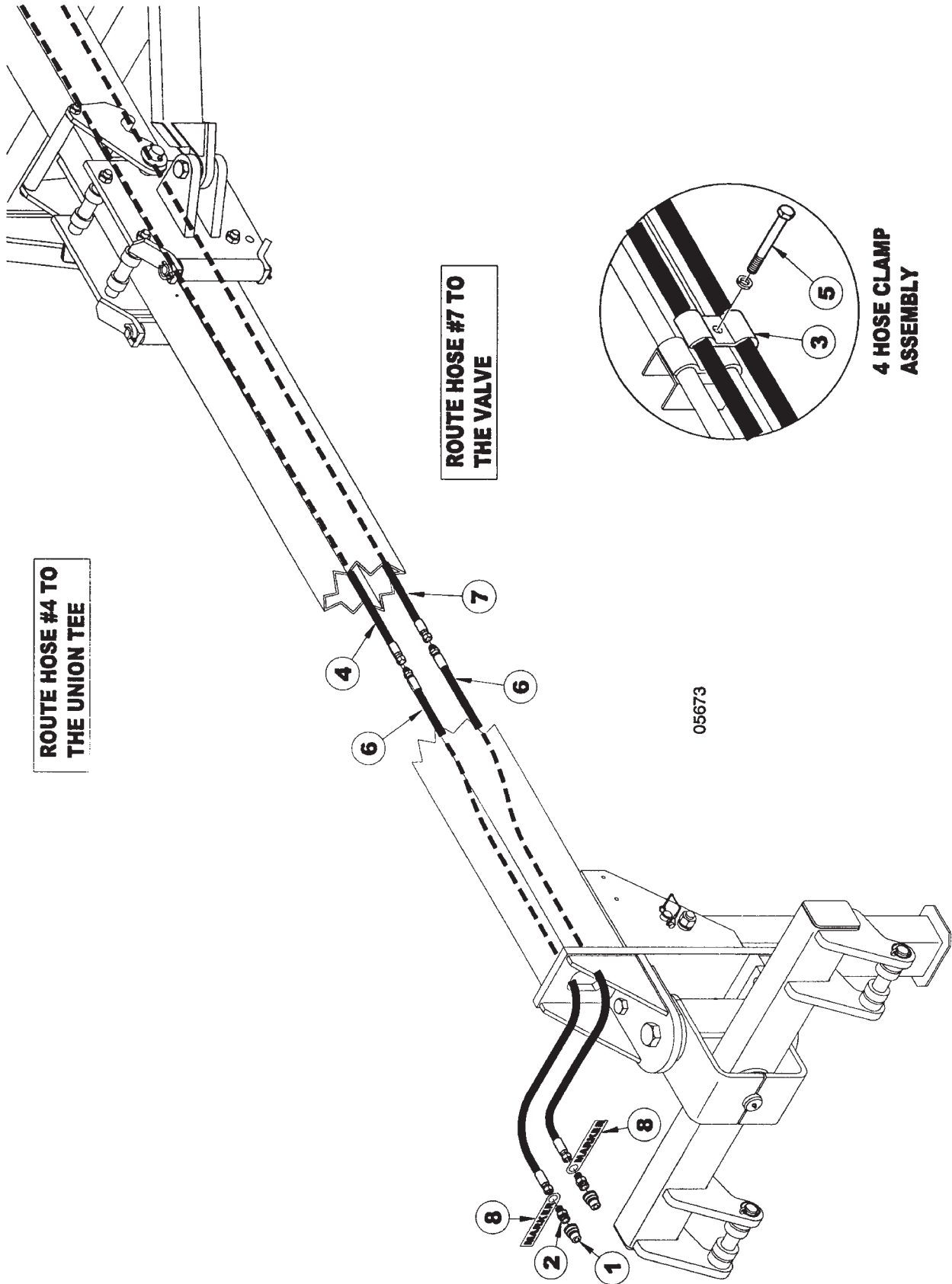
ROW MARKER MOUNT ASSEMBLY

ITEM	NUMBER	QTY	DESCRIPTION
1	SN2096		LOCK NUT, 1/2"-13 HEX NYLON INSERT
2	SN3758		HEX BOLT, 5/8"-11 X 3", GR 5, Y/D
3	SN330		HEX BOLT, 1/2"-13 X 2" GR 5, Y/D
4	SN7450		MARKER LINKAGE ARM, 12" L
5	SN6651		FOLD LINK, 30' & 40' MARKER
6	SN6649		MARKER LINKAGE, CURVED
	SN5934		BUSHING, 1 1/4" OD X 1" ID, 5/8" L (HARD) SPRING
7	SN7448		MARKER LINKAGE ARM, 49 7/8" L
8	SN893		FLAT WASHER, 3/4" Y/D
9	SN5339		PIN, 1" X 4 1/16" (3"), Y/D
10	SN112		HEX BOLT, 1/2"-13 X 2 1/2", GR 5, Y/D
11	SN669-1		LOCK NUT, 5/8" HEX NYLON
12	SN106		HEX NUT, 3/4"-10 FULL, GR 5, Y/D
13	SN1040		LOCK WASHER, 3/4" SPLIT TYPE MED, Y/D
14	SN6656		MARKER LINKAGE MOUNT
15	SN7449		BUSHING, CLAMP
16	SN5201		BALL LOCK PIN, 3/8" X 3"
17	SN6676		CYLINDER STOP, MARKER
18	SN5502		PIN, 1" X 5 1/16" (4") Y/D
19	SN3164		ROLL PIN, 5/16" X 2" SPIRAL MEDIUM DUTY, Y/D
20	SN6633		CYLINDER, 3" X 20" (30 1/4" CPC) ORB (*VERSION 1, PRIOR TO 8/28/03)
	SN12024		CYLINDER, 3" X 20" (30 1/4" CPC) ORB 3000 PSI (*VERSION 2, 8/28/03 & LATER)
21	SN1122		HEX BOLT, 3/4"-10 X 2 1/2", GR 5, Y/D
22	SN6643		PIN, 1" X 8" (6 11/16"), Y/D
23	SN5230		HEX BOLT, 1 1/8"-7 X 14 1/2", Y/D
24	SN7772		MARKER MOUNT, 30' & 40'
25	SN2561		LOCK WASHER, 1 1/8" SPLIT TYPE MED, Y/D
26	SN1300		HEX NUT, 1 1/8"-7 FULL, GR 2, Y/D
27	SN7789		HEX BOLT, 3/4"-10 X 4" FULL THD, GR 5, Y/D
28	SNDR80019		U-BOLT, 3/4"-10 X 8 3/4" X 7 13/16" W, GR 5, Y/D
29	SN7451		MARKER CHAIN PIVOT, RIGHT
	SN7452		MARKER CHAIN PIVOT, LEFT
30	SN1243		JAM NUT, 3/4"-10 HEX, GR 2, Y/D
31	SN7788		CLEVIS
32	SN6282		HEX BOLT, 7/16"-14 X 3", GR 5, Y/D
33	SNDR10524		LOCK NUT, 7/16"-14 HEX NYLON INSERT, Y/D

NOTE: WHEN ORDERING HYDRAULIC CYLINDER COMPONENTS, BE SURE TO NOTE THE PART # AND THE CYLINDER PSI. (LOCATED ON THE CYLINDER DECAL) AS THEY CONTAIN DIFFERENT COMPONENTS. OLDER CYLINDERS WERE 2500 PSI. AND THE NEWER CYLINDERS ARE 3000 PSI. IDENTIFYING THE PART # OF THE CYLINDER IS EXTREMELY IMPORTANT WHEN ORDERING PARTS TO ENSURE PROPER OPERATION OF THE HYDRAULIC CYLINDER.

I0005669
PR: t05g30n06d0040

ROW MARKER HYDRAULICS ON MAIN FRAME



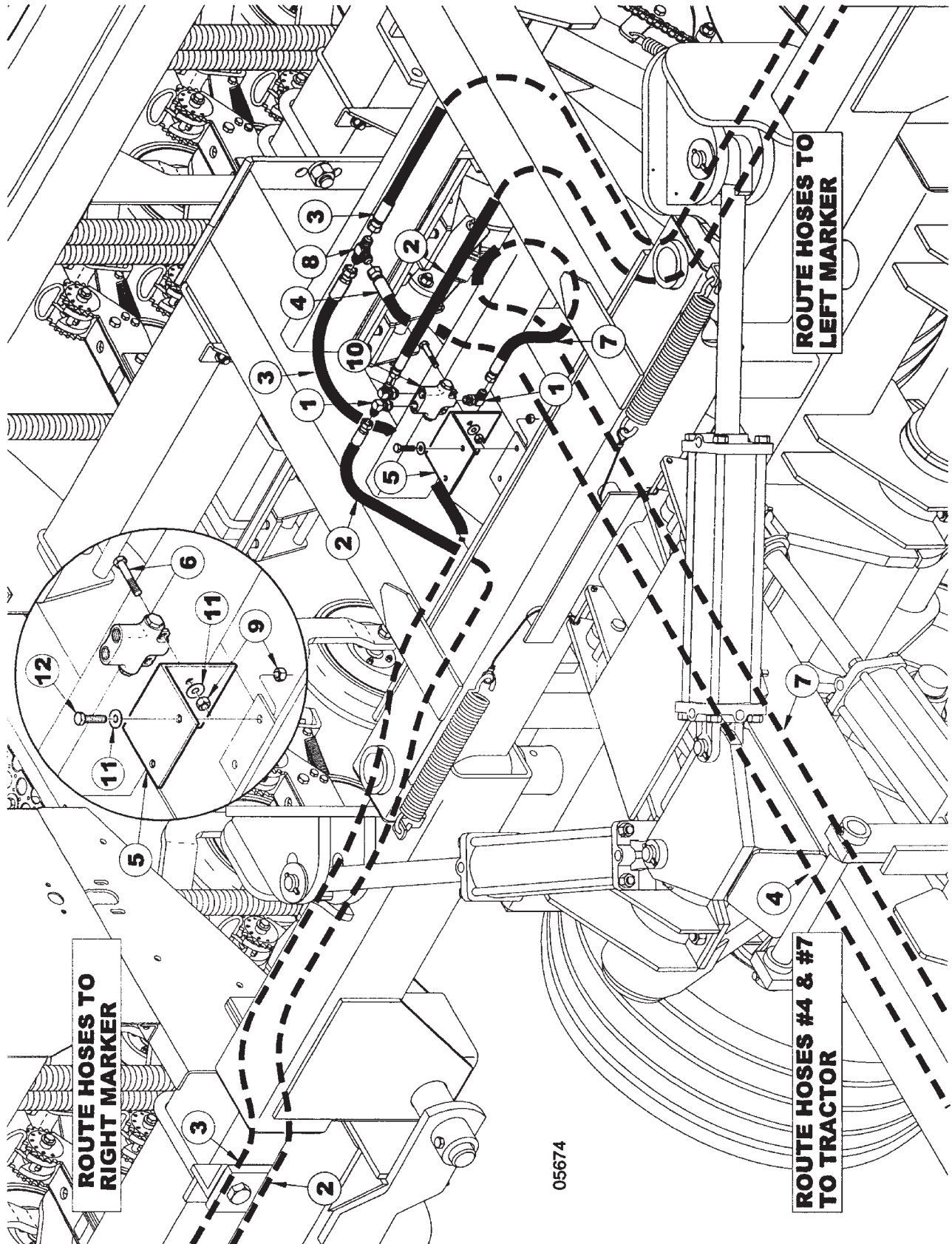
ROW MARKER HYDRAULICS ON MAIN FRAME

ITEM	NUMBER	QTY	DESCRIPTION
1	SN3253		HYDRAULIC COUPLER, MALE HALF
2	SN6177		MALE CONNECTOR, 9/16"-18 MF X 1/2-14 MPT
3	SN5302		PIPE CLAMP, 3/8" BOLT HOLE
4	SN4200011		HOSE, 1/4" X 200" L, 9/16"-18 F/ENDS (30' & 40')
5	SN2487		HEX BOLT, 3/8"-16 X 2 1/2", GR 5, Y/D
6	SN4112012		HOSE, 1/4" X 112"L,9/16"-18 M/F ENDS (30')
	SN4185012		HOSE, 1/4" X 185"L,9/16"-18 M/F ENDS (40')
7	SN4234011		HOSE, 1/4" X 234" L, 9/16"-18 F/ENDS (30' & 40')

WARNING
THESE PARTS ARE IMPORTANT TO THE SAFETY OF THIS EQUIPMENT AND THOSE WHO OPERATE IT. USE ONLY EXACT REPLACEMENT PARTS TO PREVENT HYDRAULIC FAILURE. BEFORE REPLACING THESE PARTS, REVIEW AND FOLLOW THE INSTRUCTIONS IN THE SAFETY AND OPERATING SECTIONS OF THIS MANUAL.

I0005673
PR: t05g30n06d0041

ROW MARKER HYDRAULICS ON THE CENTER
FRAME



**ROUTE HOSES TO
RIGHT MARKER**

**ROUTE HOSES TO
LEFT MARKER**

**ROUTE HOSES #4 & #7
TO TRACTOR**

05674

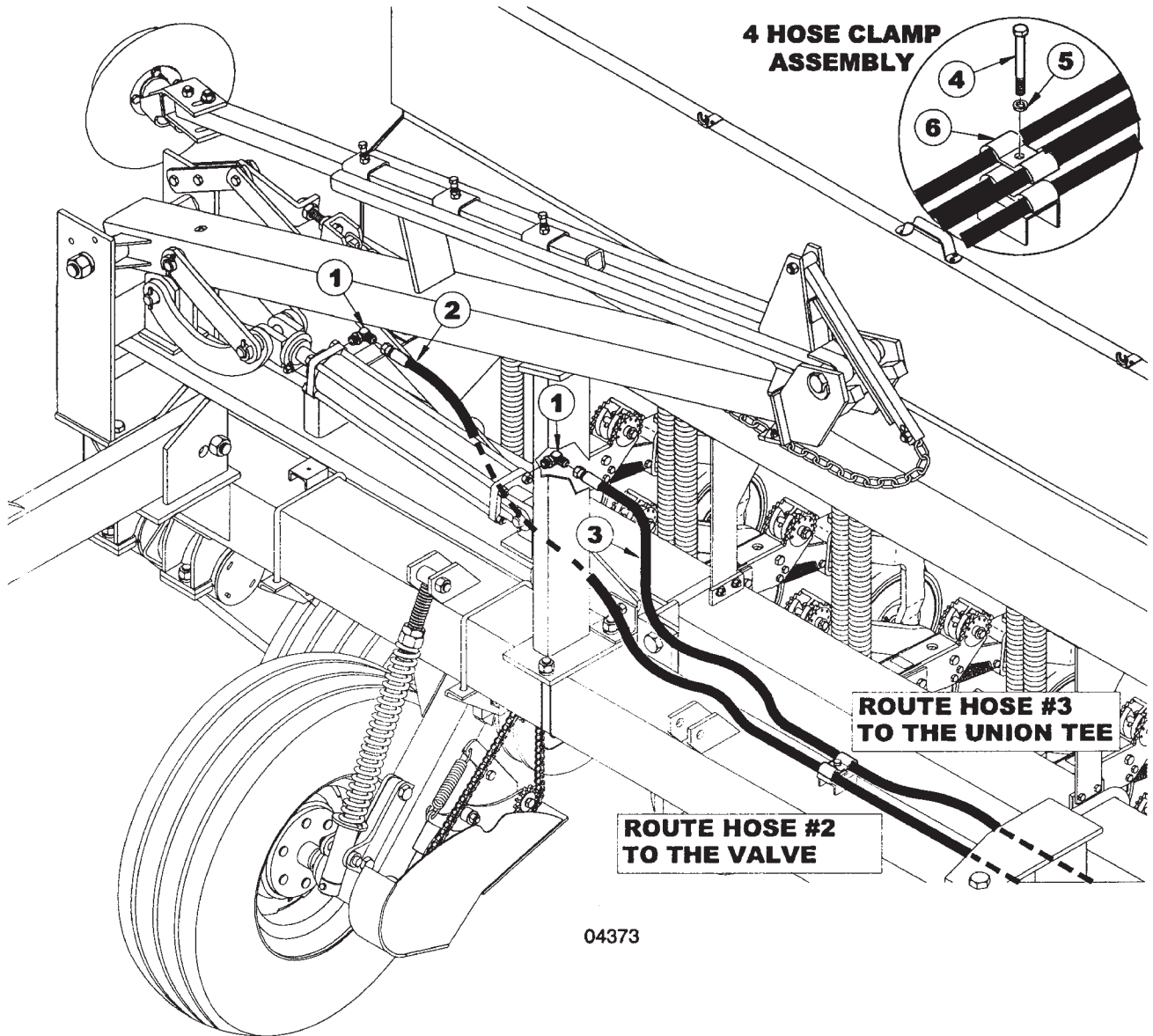
ROW MARKER HYDRAULICS ON THE CENTER
FRAME

ITEM	NUMBER	QTY	DESCRIPTION
1	SN6935		90 DEG STR THD ELBOW, 9/16"-18 MF X 3/4"-16 MOR
2	SN4200011		HOSE, 1/4" X 200" L, 9/16"-18 F/ENDS (30)
	SN4263011		HOSE, 1/4" X 263" L, 9/16"-18 F/ENDS (40)
3	SN4178011		HOSE, 1/4" X 178" L, 9/16"-18 F/ENDS (30)
	SN4240011		HOSE, 1/4" X 240" L, 9/16"-18 F/ENDS (40)
4	SN4200011		HOSE, 1/4" X 200" L, 9/16"-18 F/ENDS (30' & 40')
5	SNB1141		VALVE MOUNT
6	SN474		HEX BOLT, 3/8"-16 X 2", GR 5 Y/D
7	SN4234011		HOSE, 1/4" X 234" L, 9/16"-18 F/ENDS
8	SN7077		UNION TEE, 9/16"-18 MF
9	SN3567		LOCK NUT, 3/8"-16 HEX NYLON INSERT, GR 2, Y/D
10	SNDR56006		VALVE, 3/4-16 OR SEQUENCE
11	SN317		FLAT WASHER, 3/8", Y/D
12	SN178		HEX BOLT, 3/8"-16 X 1", GR 5, Y/D

WARNING
THESE PARTS ARE IMPORTANT TO THE SAFETY
OF THIS EQUIPMENT AND THOSE WHO OPERATE
IT. USE ONLY EXACT REPLACEMENT PARTS TO
PREVENT HYDRAULIC FAILURE. BEFORE
REPLACING THESE PARTS, REVIEW AND FOLLOW
THE INSTRUCTIONS IN THE SAFETY AND
OPERATING SECTIONS OF THIS MANUAL.

I0005674
PR: t05g30n06d0042

WING FRAME ROW MARKER HYDRAULICS



04373

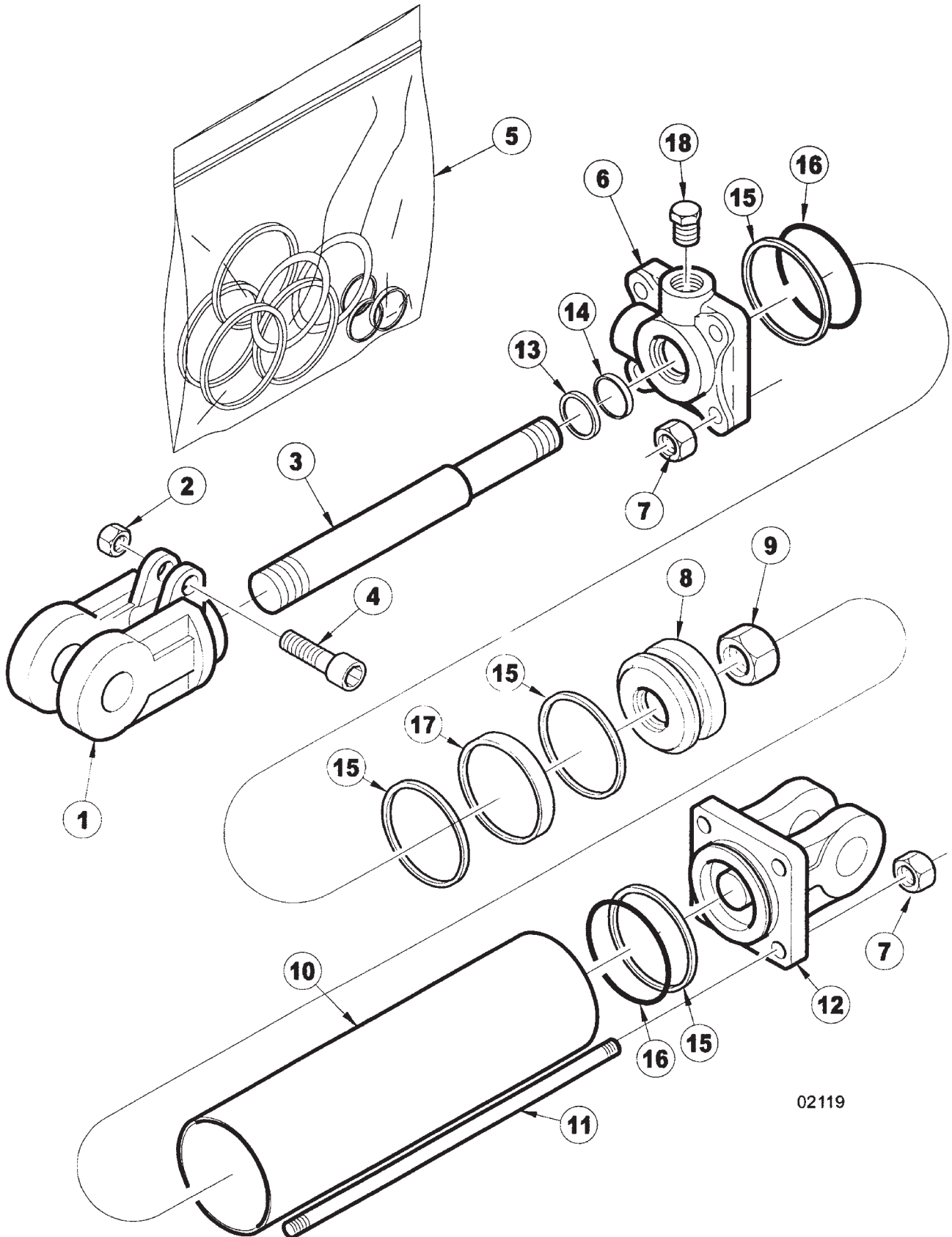
WING FRAME ROW MARKER HYDRAULICS

ITEM	NUMBER	QTY	DESCRIPTION
1	SN6935		90 DEG STR THD ELBOW, 9/16"-18 MF X 3/4"-16 MOR
2	SN4200011		HOSE, 1/4" X 200" L, 9/16"-18 F/ENDS (30)
	SN4263011		HOSE, 1/4" X 263" L, 9/16"-18 F/ENDS (40)
3	SN4178011		HOSE, 1/4" X 178" L, 9/16"-18 F/ENDS (30)
	SN4240011		HOSE, 1/4" X 240" L, 9/16"-18 F/ENDS (40)
4	SN2487		HEX BOLT, 3/8"-16 X 2 1/2", GR 5, Y/D
5	SN176		LOCK WASHER, 3/8" SPLIT TYPE MED, Y/D
6	SN5302		PIPE CLAMP, 3/8" BOLT HOLE

WARNING
THESE PARTS ARE IMPORTANT TO THE SAFETY
OF THIS EQUIPMENT AND THOSE WHO OPERATE
IT. USE ONLY EXACT REPLACEMENT PARTS TO
PREVENT HYDRAULIC FAILURE. BEFORE
REPLACING THESE PARTS, REVIEW AND
FOLLOW THE INSTRUCTIONS IN THE SAFETY
AND OPERATING SECTIONS OF THIS MANUAL.

I0004373
PR: t05g30n06d0043

3" X 20" HYDRAULIC CYLINDER (6633R)
VERSION 1, PRIOR TO 8/28/03

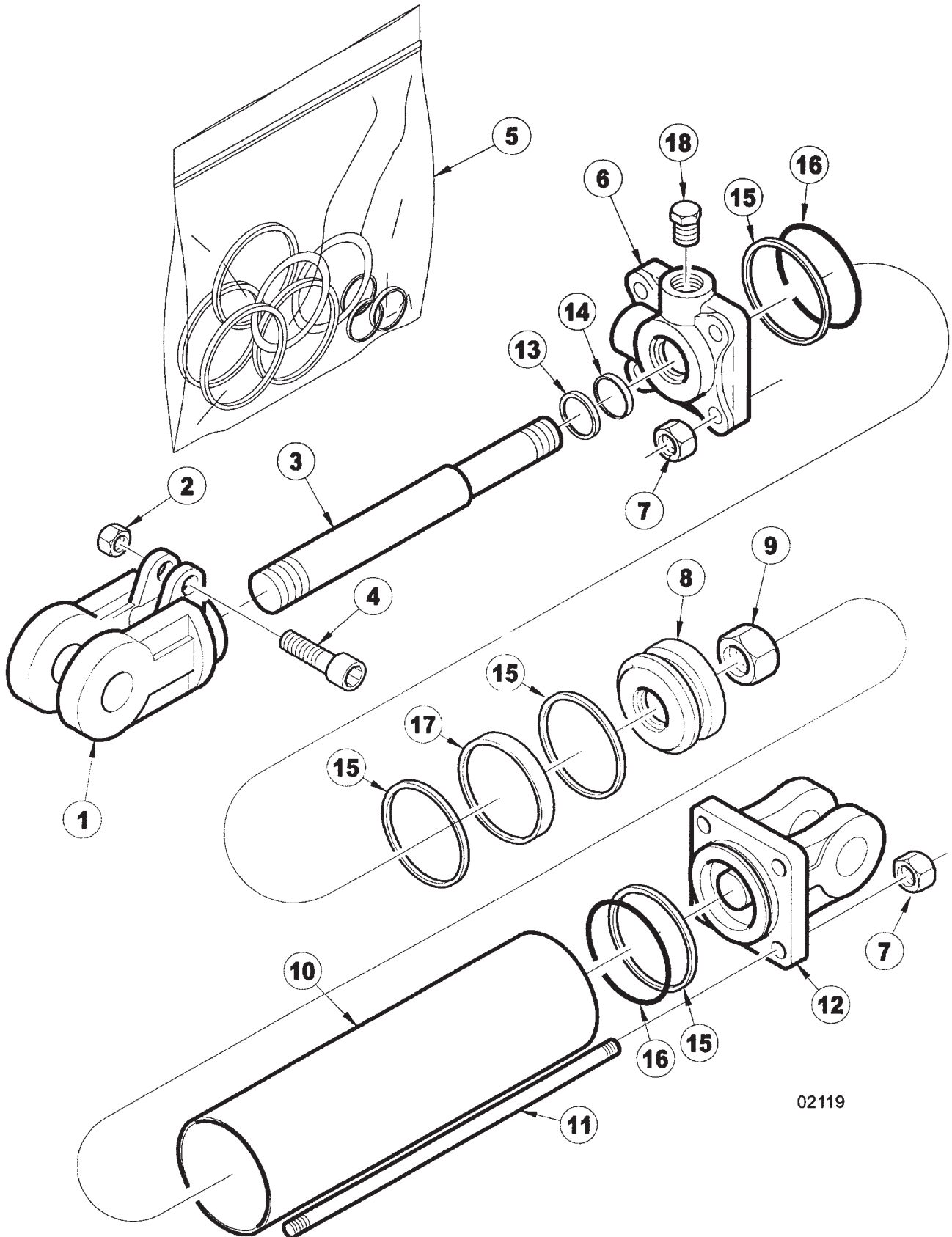


ITEM	NUMBER	QTY	DESCRIPTION
1	SN8610-1		CLEVIS, 1 1/4" THREADS, 1" PIN W/BUSHING, CROSS
2	SN8671-1		CAPSCREW NUT, 5/16" THREADS CROSS
3	SN8878-1		ROD, 1 1/4" DIA, 20" CROSS
4	SN8631-1		CAPSCREW, CROSS
5	SN8762-1		SEAL KIT, 3", 1 1/4" ROD, CROSS
6	SN8722-10		HEAD, 3", 1 1/4" ROD, CROSS (ORB)
7	SN8866-1		TIE ROD NUT, 1/2"-13 UNC CROSS
8	SN8711-1		PISTON, 3" W/3/4" HOLE CROSS
9	SN8681-1		PISTON NUT, 3/4" CROSS
10	SN8806-1		TUBE, 3" X 20" CROSS
11	SN8872-1		TIE ROD BOLT, 3" X 20", CROSS
12	SN8701-10		BASE, 3" (ORB) CROSS
13			* WIPER
14			* U-CUP
15			* BACKUP
16			* O-RING
17			* TEFLON RING
18	SN4458		PLUG, 3/4"-16 MOR

NOTE: * AVAILABLE IN THE SEAL KIT ONLY
WHEN ORDERING HYDRAULIC CYLINDER
COMPONENTS, BE SURE TO NOTE THE PART #
AND THE CYLINDER PSI. (LOCATED ON THE
CYLINDER DECAL) AS THEY CONTAIN
DIFFERENT COMPONENTS. OLDER CYLINDERS
WERE 2500 PSI. AND NEWER CYLINDERS ARE
3000 PSI. IDENTIFYING THE PART # OF THE
CYLINDER IS EXTREMELY IMPORTANT WHEN
ORDERING PARTS TO ENSURE PROPER
OPERATION OF THE HYDRAULIC CYLINDER.

I0002119
PR: t05g30n06d0044

3" X 20" HYDRAULIC CYLINDER (12024R)
VERSION 2, 8/28/03 & LATER



02119

3" X 20" HYDRAULIC CYLINDER (12024R)
VERSION 2, 8/28/03 & LATER

ITEM	NUMBER	QTY	DESCRIPTION
1	SN8610-1		CLEVIS, 1 1/4" THREADS, 1" PIN W/BUSHING, CROSS
2	SN8671-1		CAPSCREW NUT, 5/16" THREADS CROSS
3	SN12022		ROD, 1 1/4" DIA, 20" CROSS
4	SN8631-1		CAPSCREW, CROSS
5	SN8939-1		SEAL KIT, 3", 1 1/4" ROD, CROSS
6	SN8931-10		HEAD, 3", 1 1/4" ROD, CROSS (ORB)
7	SN8866-1		TIE ROD NUT, 1/2"-13 UNC CROSS
8	SN8937-1		PISTON, 3" W/3/4" HOLE, CROSS
9	SN8681-1		PISTON NUT, 3/4" CROSS
10	SN12021		TUBE, 3" X 20" CROSS
11	SN12023		TIE ROD BOLT, 3" X 20", CROSS
12	SN8938-10		BASE, 3" (ORB) CROSS
13			* WIPER
14			* U-CUP
15			* BACKUP
16			* O-RING
17			* TEFLON RING
18	SN4458		G, 3/4"-16 MOR

NOTE: *AVAILABLE IN THE SEAL KIT ONLY.
WHEN ORDERING HYDRAULIC CYLINDER
COMPONENTS, BE SURE TO NOTE THE PART #
AND THE CYLINDER PSI. (LOCATED ON THE
CYLINDER DECAL) AS THEY CONTAIN
DIFFERENT COMPONENTS. OLDER CYLINDERS
WERE 2500 PSI. AND NEWER CYLINDERS ARE
3000 PSI. IDENTIFYING THE PART # OF THE
CYLINDER IS EXTREMELY IMPORTANT WHEN
ORDERING PARTS TO ENSURE PROPER
OPERATION OF THE HYDRAULIC CYLINDER.

I0002119
PR: t05g30n06d0045

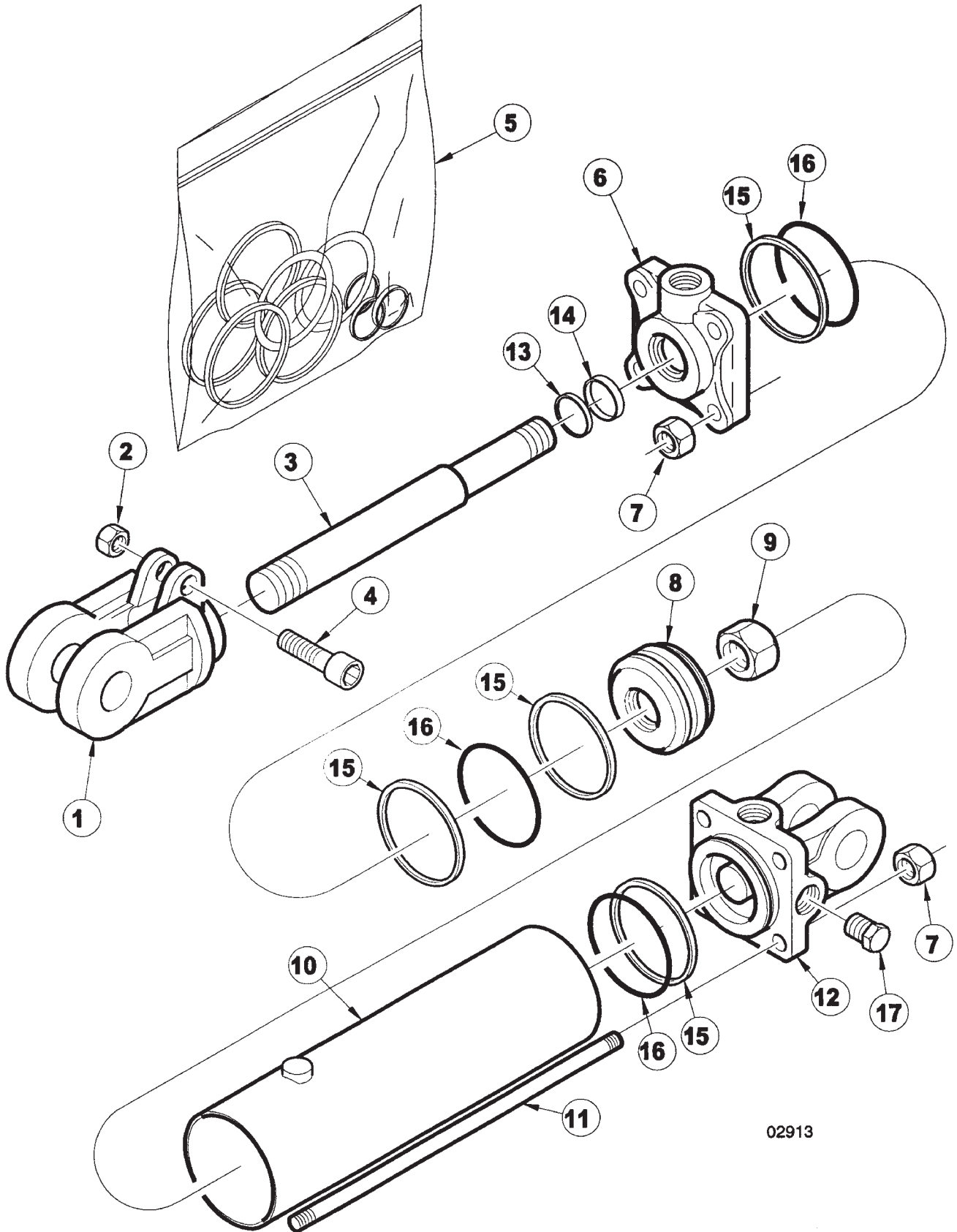
ITEM	NUMBER	QTY	DESCRIPTION
1	SN3806		HEX BOLT, 3/8"-16 X 3", GR 5, Y/D
2	SN5302		PIPE CLAMP, 3/8" BOLT HOLE
3	SN4155012		HOSE, 1/4" X 155"L, 9/16"-18 M/F ENDS (30)
	SN4188012		HOSE, 1/4" X 188" L, 9/16"-18 M/F ENDS (40)
4	SN4196011		HOSE, 1/4" X 196" L, 9/16"-18 F/ENDS (30)
	SN4248011		HOSE, 1/4" X 248" L, 9/16"-18 F/ENDS (40)
5	SN3253		HYDRAULIC COUPLER, MALE HALF
6	SN6177		MALE CONNECTOR, 9/16"-18 MF X 1/2-14 MPT
7	SN1675		HEX BOLT, 3/4"-10 X 4 1/2", GR 5, Y/D
8	SN893		FLAT WASHER, 3/4" Y/D
9	SN9250		SPACER, 1.00"OD X .760"ID, 1"L
10	SN6991		90 DEG STR THD ELBOW, 9/16"-18 MF X 3/4"-16 MOR W/1/32" REST
11	SNHEN3410		LOCK NUT, 3/4" HEX NYLON
12	SN6935		90 DEG STR THD ELBOW, 9/16"-18 MF X 3/4"-16 MOR
13	SNDR55002		CYLINDER, 2 1/2" X 8" (20 1/4" CPC) ORB CROSS (*VERSION 1, PRIOR TO 6/23/03)
	SN12051		CYLINDER, 2 1/2" X 8" (20 1/4" CPC) CROSS, 3000 PSI (*VERSION 2, 6/23/03 & LATER)
14	SN245		FLAT WASHER, 1" WIDE RIM, Y/D
15	SN916		HEX BOLT, 3/4"-10 X 6", GR 5, Y/D
16	SN5252		PIN, 1" X 6 9/16" (5 1/4") Y/D
17	SN3164		ROLL PIN, 5/16" X 2" SPIRAL MEDIUM DUTY, Y/D
18	SN9249		HYDRAULIC SHUT OFF TOWER
19	SN1823		HEX BOLT, 1/2"-13 X 1 1/4", GR 5, Y/D
20	SN159		JAM NUT, 1/2"-13, GR 2, Y/D

NOTE: WHEN ORDERING HYDRAULIC CYLINDER COMPONENTS, BE SURE TO NOTE THE PART # AND THE CYLINDER PSI. (LOCATED ON THE CYLINDER DECAL) AS THEY CONTAIN DIFFERENT COMPONENTS. OLDER CYLINDERS WERE 2500 PSI. AND THE NEWER CYLINDERS ARE 3000 PSI. IDENTIFYING THE PART # OF THE CYLINDER IS EXTREMELY IMPORTANT WHEN ORDERING PARTS TO ENSURE PROPER OPERATION OF THE HYDRAULIC CYLINDER.

WARNING
THESE PARTS ARE IMPORTANT TO THE SAFETY OF THIS EQUIPMENT AND THOSE WHO OPERATE IT. USE ONLY EXACT REPLACEMENT PARTS TO PREVENT HYDRAULIC FAILURE. BEFORE REPLACING THESE PARTS, REVIEW AND FOLLOW THE INSTRUCTIONS IN THE SAFETY AND OPERATING SECTIONS OF THIS MANUAL.

I0005678
PR: t05g30n06d0046

2 1/2" X 8" CYLINDER (DR55002)
VERSION 1, PRIOR TO 6/23/03



02913

9433 OPERATOR'S MANUAL
SERVICE PARTS

101

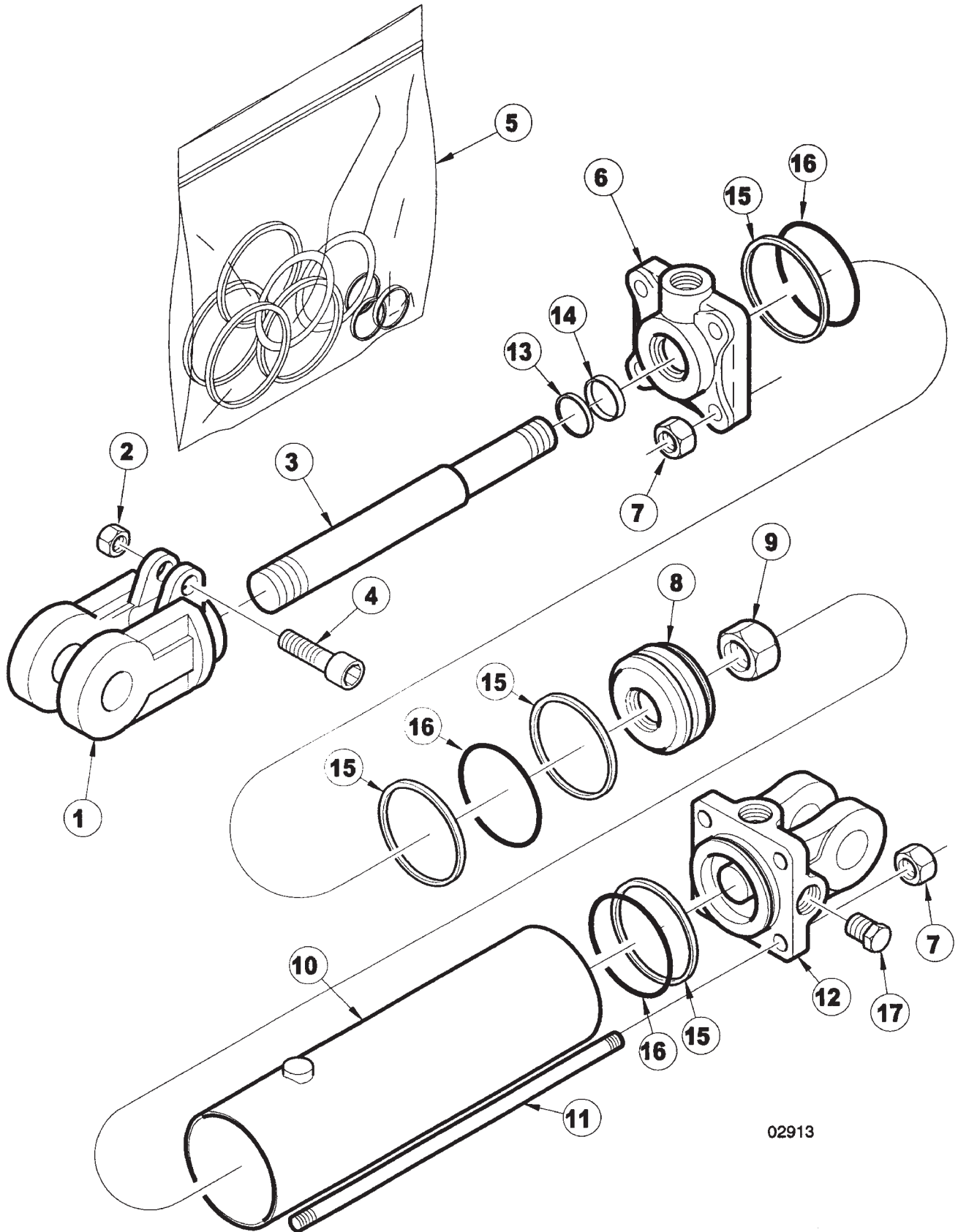
2 1/2" X 8" CYLINDER (DR55002)
VERSION 1, PRIOR TO 6/23/03

ITEM	NUMBER	QTY	DESCRIPTION
1	SN8629-1		CLEVIS, 1 1/16" THD, 1" PIN CROSS
2	SN8671-1		CAPSCREW NUT, 5/16" THREADS CROSS
3	SN8879-1		ROD, 1" DIA, 8" CROSS
4	SN8631-1		CAPSCREW, CROSS
5	SN8800-1		SEAL KIT, 2 1/2" X 8" CROSS
6	SN8721-10		HEAD, 2 1/2", 1" ROD, CROSS (ORB)
7	SN8864-1		TIE ROD NUT, 5/8" THREADS
8	SN8689-1		PISTON, 2 1/2"
9	SN8681-1		PISTON NUT, 3/4" CROSS
10	SN8809-1		TUBE, 2 1/2" X 8", CROSS
11	SN8870-1		TIE ROD BOLT, 2 1/2" X 8", CROSS
12	SN8690-10		BASE, 2 1/2" (ORB), 1" PIN CROSS
13			* WIPER
14			* U-CUP
15			* BACKUP
16			* O-RING
17	SN4458		PLUG, 3/4"-16 MOR

NOTE: * AVAILABLE IN THE SEAL KIT ONLY
WHEN ORDERING HYDRAULIC CYLINDER
COMPONENTS, BE SURE TO NOTE THE PART #
AND THE CYLINDER PSI. (LOCATED ON THE
CYLINDER DECAL) AS THEY CONTAIN
DIFFERENT COMPONENTS. OLDER CYLINDERS
WERE 2500 PSI. AND THE NEWER CYLINDERS
ARE 3000 PSI. IDENTIFYING THE PART # OF
THE CYLINDER IS EXTREMELY IMPORTANT WHEN
ORDERING PARTS TO ENSURE PROPER
OPERATION OF THE HYDRAULIC CYLINDER.

I0002913
PR: t05g30n06d0047

2 1/2" X 8" CYLINDER (12051R) VERSION 2,
6/23/03 & LATER

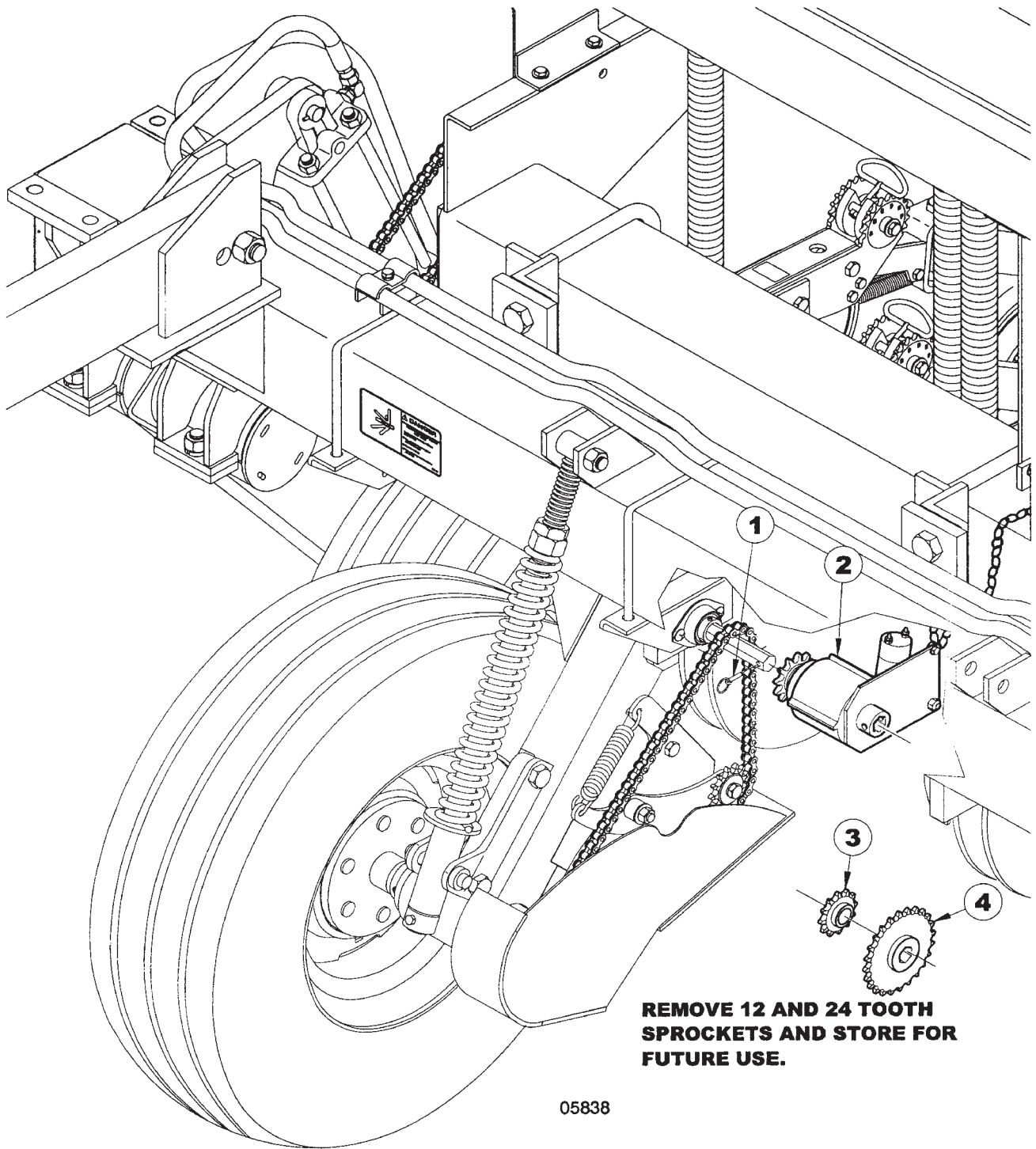


ITEM	NUMBER	QTY	DESCRIPTION
1	SN8629-1		CLEVIS, 1 1/16" THD, 1" PIN CROSS RINCE
2	SN8671-1		CAPSCREW NUT, 5/16" THREADS CROSS
3	SN8879-1		ROD, 1" DIA, 8" CROSS
4	SN8631-1		CAPSCREW, CROSS
5	SN8756-1		SEAL KIT, 2 1/2", 1 1/16" ROD, CROSS
6	SN8731-10		HEAD, 2 1/2", 1 1/16" ROD, CROSS (ORB)
7	SN8864-1		TIE ROD NUT, 5/8" THREADS
8	SN8714-1		PISTON, 2 1/2" W/3/4" HOLE, CROSS
9	SN8681-1		PISTON NUT, 3/4" CROSS
10	SN8809-1		TUBE, 2 1/2" X 8", CROSS
11	SN8870-1		TIE ROD BOLT, 2 1/2" X 8", CROSSING CROSS
12	SN8680-10		BASE, 2 1/2" (ORB), 1" PIN, CROSS
13			* WIPER
14			* U-CUP
15			* BACKUP
16			* O-RING
17	SN4458		PLUG, 3/4"-16 MOR

NOTE: *AVAILABLE IN THE SEAL KIT ONLY.
WHEN ORDERING HYDRAULIC CYLINDER
COMPONENTS, BE SURE TO NOTE THE PART #
AND THE CYLINDER PSI. (LOCATED ON THE
CYLINDER DECAL) AS THEY CONTAIN
DIFFERENT COMPONENTS. OLDER CYLINDERS
WERE 2500 PSI. AND NEWER CYLINDERS ARE
3000 PSI. IDENTIFYING THE PART # OF THE
CYLINDER IS EXTREMELY IMPORTANT WHEN
ORDERING PARTS TO ENSURE PROPER
OPERATION OF THE HYDRAULIC CYLINDER.

I0002913
PR: t05g30n06d0048

ELECTRIC CLUTCH KIT



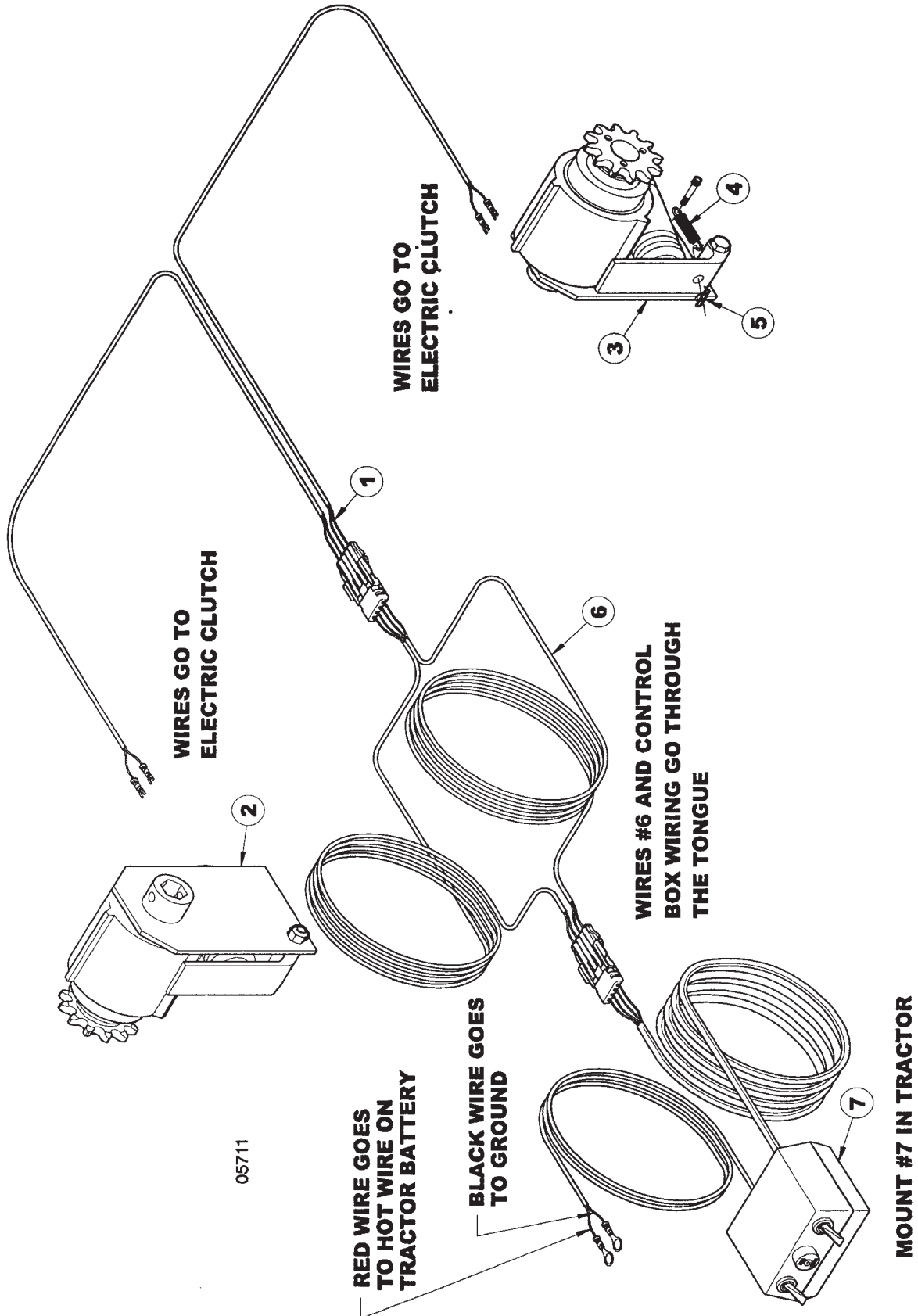
05838

ELECTRIC CLUTCH KIT

ITEM	NUMBER	QTY	DESCRIPTION
1	SN9083		KLIK PIN, 1/4" DIA X 2 1/8"
2	SN10055		CLUTCH, RIGHT
	SN10056		CLUTCH, LEFT
3	SN9078		SPROCKET, 12 TOOTH, 7/8" HEX BORE
4	SN9079		SPROCKET, 24 TOOTH, 7/8" HEX BORE

I0005838
PR: t05g30n06d0049

ELECTRIC CLUTCH KIT ASSEMBLY

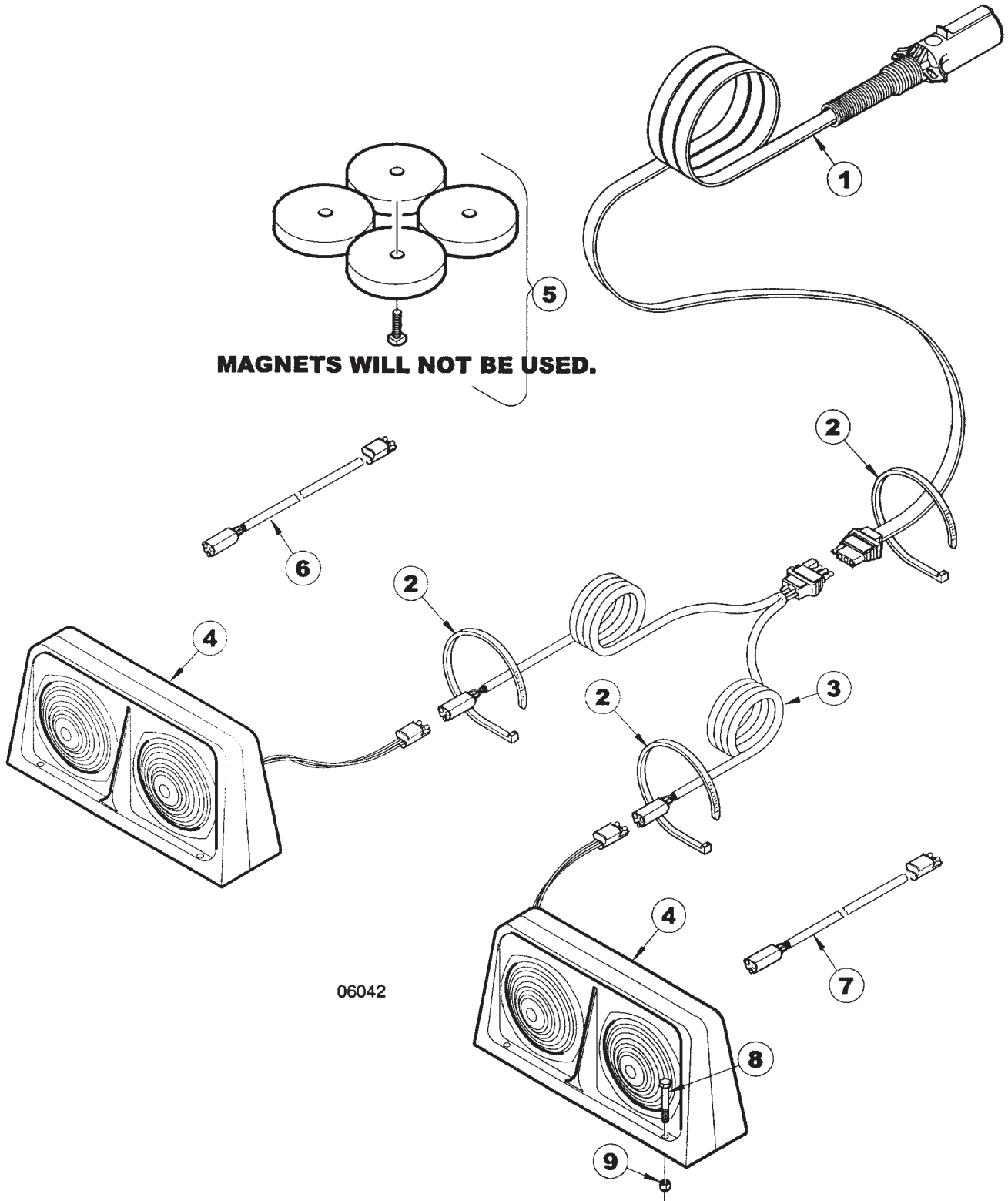


ELECTRIC CLUTCH KIT ASSEMBLY

ITEM	NUMBER	QTY	DESCRIPTION
1	SN10050		HARNESS, EXTENSION 20'
2	SN10055		CLUTCH, RIGHT
3	SN10056		CLUTCH, LEFT
4	SN10053		EXTENSION SPRING
5	SN10054		CLIP
6	SN10051		HARNESS, PLANTER
7	SN10052		CONTROL BOX ASSY
	SN9874		CLUTCH KIT, SINGLE
	SN9875		CLUTCH KIT, DOUBLE

I0005711
PR: t05g30n06d0050

LIGHT KIT ASSEMBLY

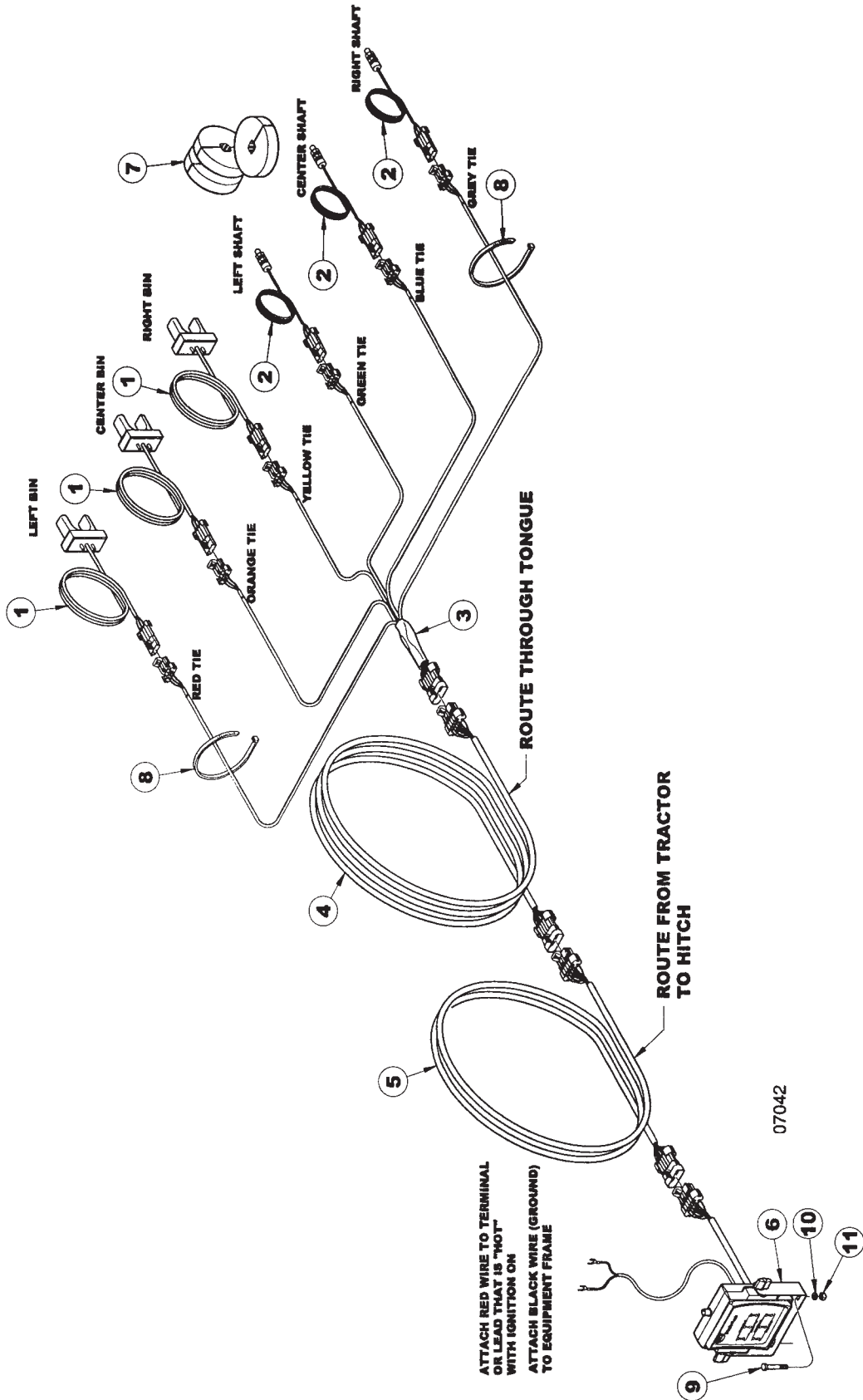


06042

ITEM	NUMBER	QTY	DESCRIPTION
1	SN5846		HARNESS, 25' STR SEC, SHIELDED FESTOON CABLE W/CONNECTORS
2	SN2587		PLASTIC HOSE STRAP, 21 1/2" L
3	SN5847		HARNESS, 15' WISHBONE W/FLAT & TRIANGULAR CONNECTORS
4	SN5844		DUAL LAMP, AMBER FT/REAR & RED REAR, RIGHT
	SN5845		DUAL LAMP, AMBER FT/REAR & RED REAR, LEFT
5	SN5857		MAGNET KIT
6	SN5849		HARNESS, 5' EXTENSION W/TRIAN-GULAR CONNECTORS, LEFT
7	SN5848		HARNESS, 5' EXTENSION W/TRIAN-GULAR CONNECTORS, RIGHT
8	SN2750		HEX BOLT, 1/4"-20 X 1 1/4", GR 2, Y/D
9	SN3881		LOCK NUT, 1/4"-20 HEX NYLON INSERT, GR 2, Y/D
	SN5838		LIGHT KIT W/HARDWARE (INCLUDES ITEMS 1-5)

I0006042
PR: t05g30n06d0051

SHAFT & BIN LEVEL MONITOR KIT (OPTIONAL)

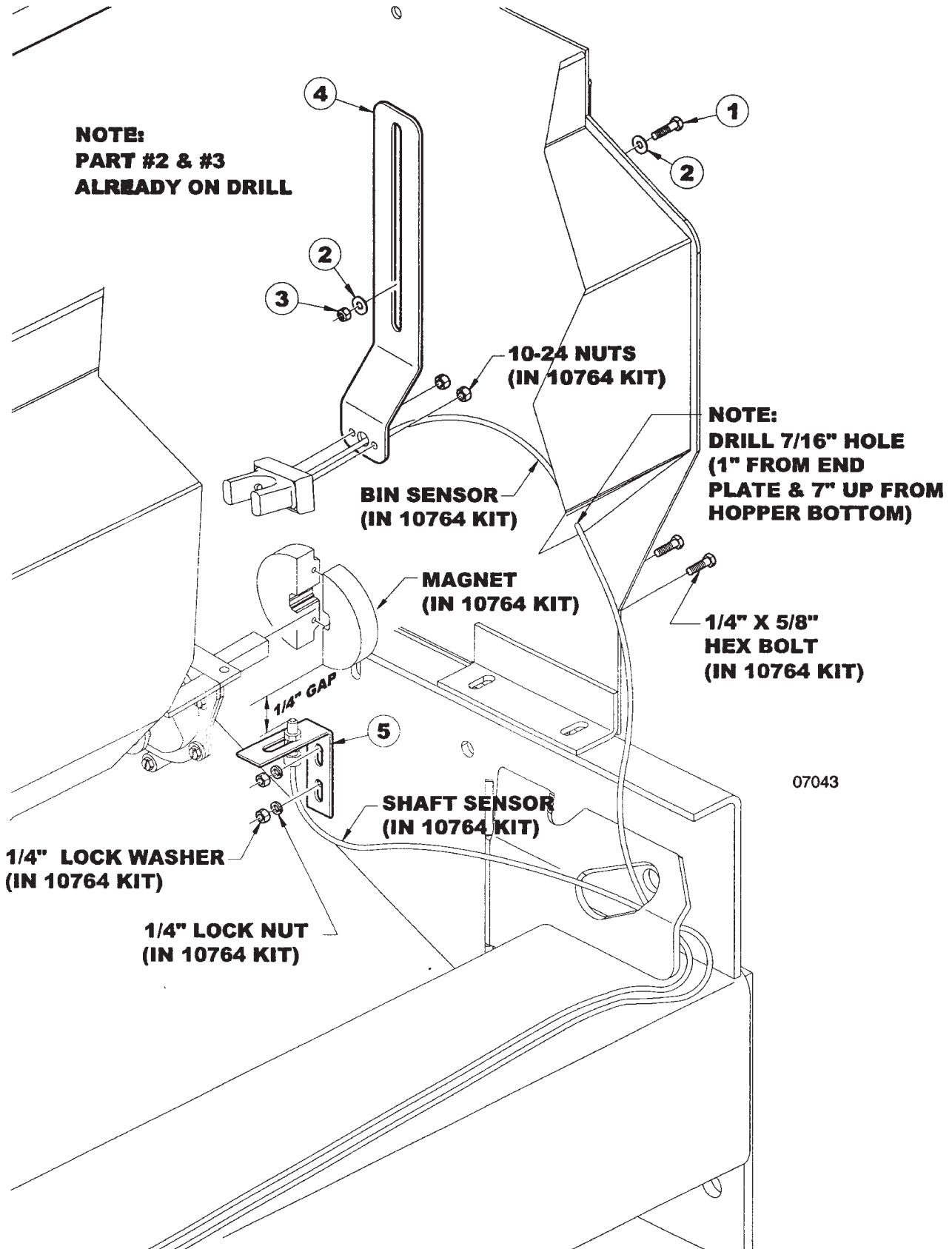


SHAFT & BIN LEVEL MONITOR KIT (OPTIONAL)

ITEM	NUMBER	QTY	DESCRIPTION
1			* BIN SENSOR & WIRING
2			* SHAFT SENSOR & WIRING
3			* MAIN HARNESS
4			* 25' 10 PIN EXTENSION
5			* 15' 10 PIN EXTENSION
6			* MONITOR
7			* MAGNETS
	SN10764		DRILL SHAFT/BIN MONITOR, 30'-40' (INCLUDES ITEMS 1-7)

I0007042
PR: t05g30n06d0052

**SHAFT & BIN LEVEL MONITOR MOUNTING
(OPTIONAL)**

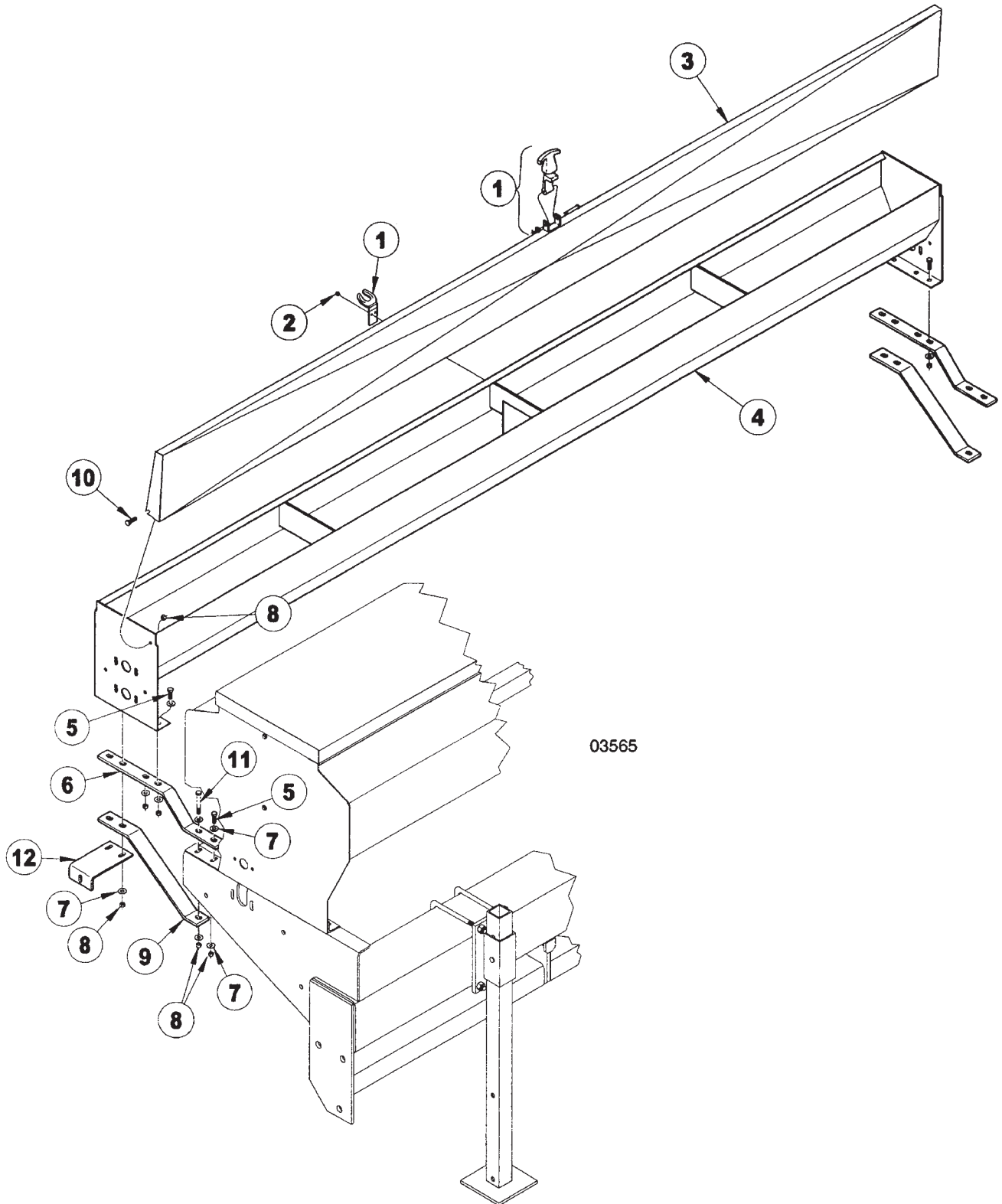


SHAFT & BIN LEVEL MONITOR MOUNTING
(OPTIONAL)

ITEM	NUMBER	QTY	DESCRIPTION
1	SN2568		HEX BOLT, 1/4"-20 X 3/4", GR 2 Y/D
2	SN506		FLAT WASHER, 1/4", Y/D
3	SN3881		LOCK NUT, 1/4"-20 HEX NYLON INSERT
4	SN10771		BRACKET, BIN SENSOR
5	SN10853		SHAFT, MONITOR MAGNET STRAP

I0007043
PR: t05g30n06d0053

GRASS SEEDER HOPPER ASSEMBLY (OPTIONAL)



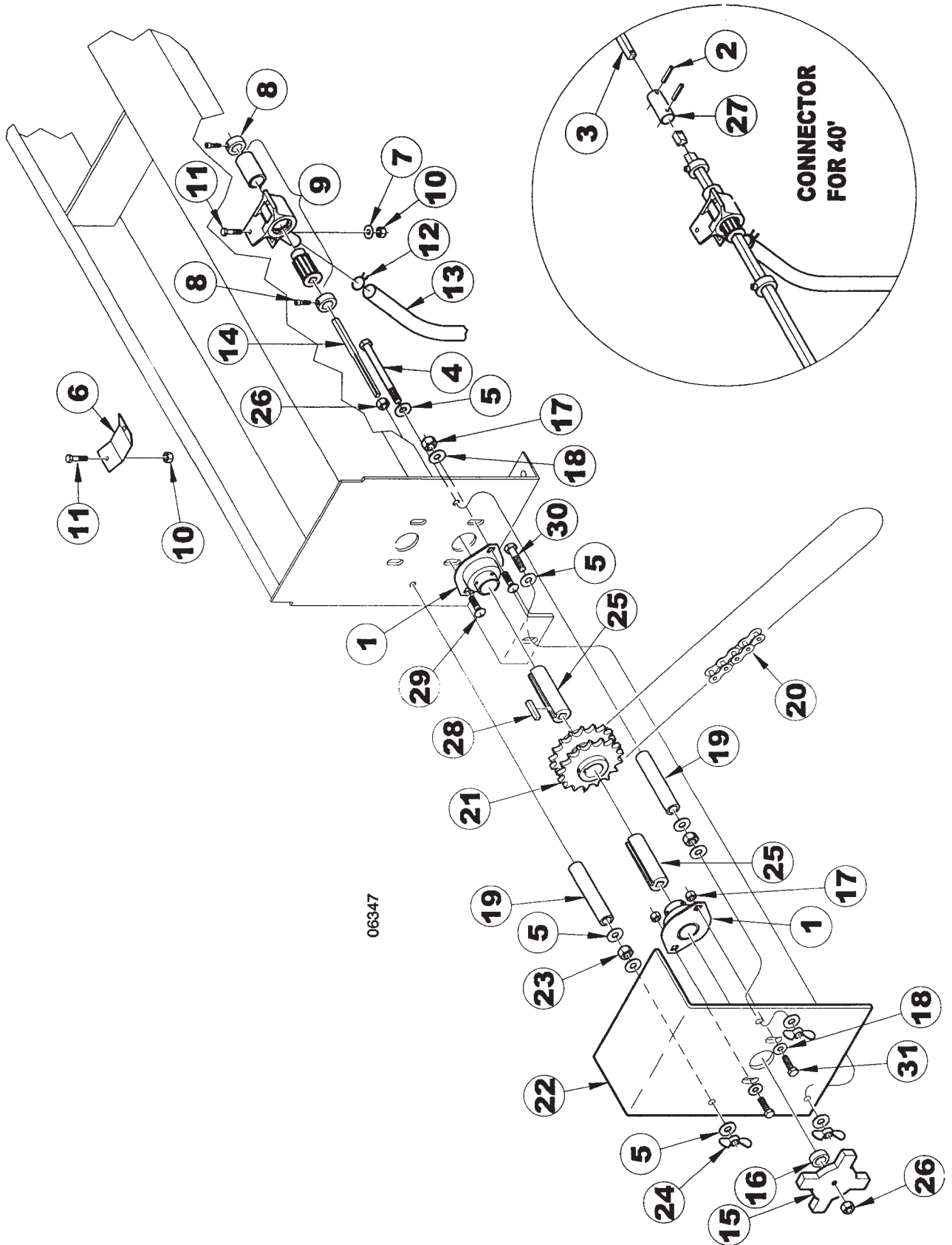
GRASS SEEDER HOPPER ASSEMBLY (OPTIONAL)

ITEM	NUMBER	QTY	DESCRIPTION
1	SNA0007		HOPPER LATCH ASSEMBLY
2	SNDR12034		RIVET, 3/16" X 1/4"
3	SNBP10065		HOPPER LID, 7 1/2' GRASS SEED (40')
	SNBP10076		HOPPER LID, 10' GRASS SEED (30' & 40')
4	SNBP10296		HOPPER BOX, 7 1/2' GRASS SEED (40')
	SNBP10074		HOPPER BOX, 10' GRASS SEED (30' & 40')
5	SN175		HEX BOLT, 3/8"-16 X 1 1/2", GR 5, Y/D
6	SNBP10030		BRACKET, UPPER GRASS
7	SN317		FLAT WASHER, 3/8", Y/D
8	SN3567		LOCK NUT, 3/8"-16 HEX NYLON INSERT, GR 2, Y/D
9	SNBP10031		BRACKET, LOWER GRASS
10	SN178		HEX BOLT, 3/8"-16 X 1", GR 5, Y/D
11	SNFK150221		HEX BOLT, 3/8"-16 X 5" GR 5, Y/D
12	SN7956		BRACKET, LOWER CHAIN GUARD

I0003565

PR: t05g30n06d0054

GRASS SEEDER SHAFT ASSEMBLY

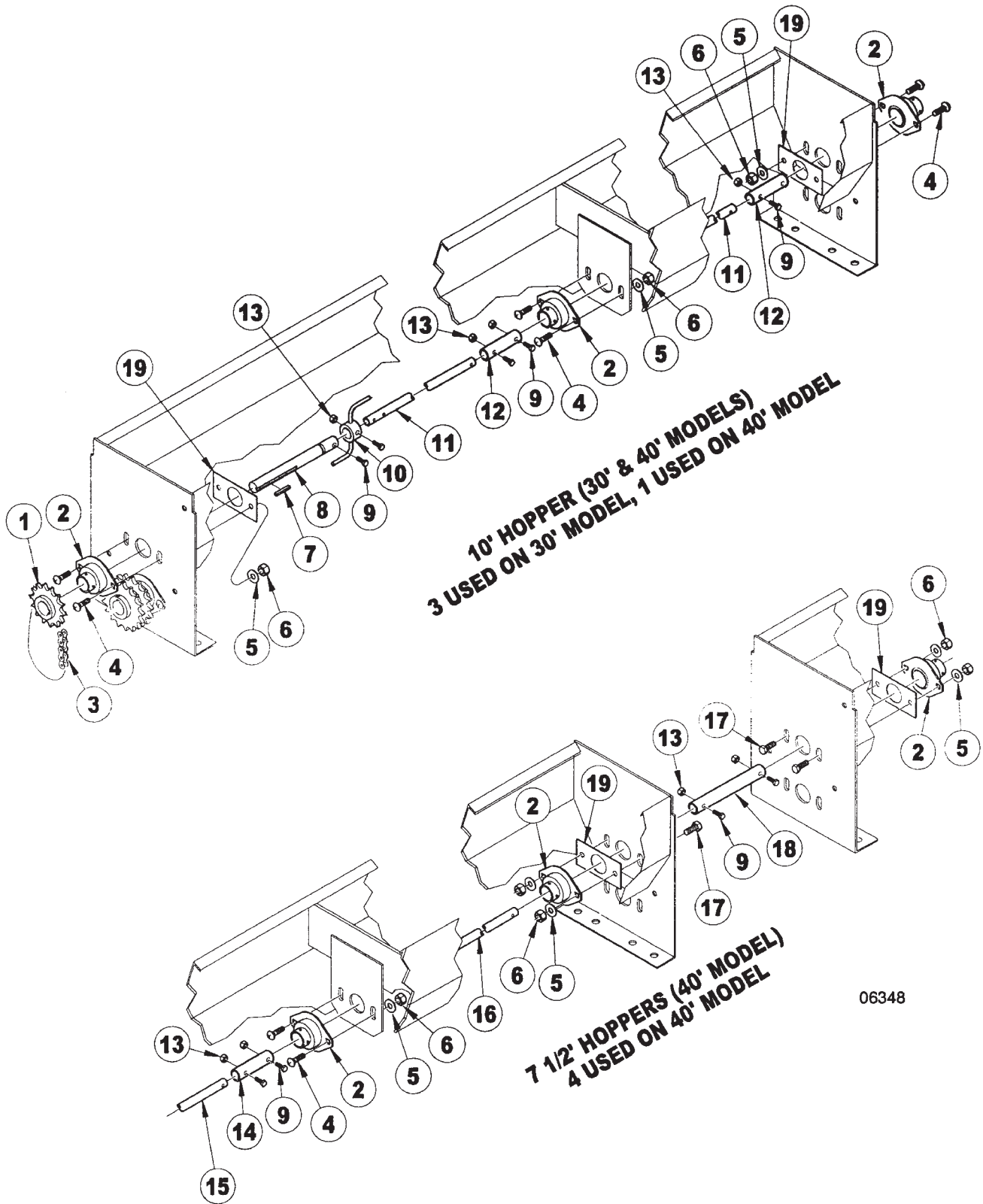


GRASS SEEDER SHAFT ASSEMBLY

ITEM	NUMBER	QTY	DESCRIPTION
1	SNDR30009		BEARING, 1" LFST
2	SNFK150189		ROLL PIN, 1/8" X 1 1/4" (40')
3	SN6694		SHAFT, 88 1/4", 3/8" SQ, Y/D (40')
4	SN7952		HEX BOLT, 3/8"-16 X 5 1/2",GR 5, Y/D
5	SN317		FLAT WASHER, 3/8", Y/D
6	SNBP10041		PLUG, SEED METER
7	SN506		FLAT WASHER, 1/4", Y/D
8	SNDR12006		LOCKING COLLAR, 9/16"
9	SNA0119		SEED METER ASSEMBLY, GRASS SEED
10	SN3881		LOCK NUT, 1/4"-20 HEX NYLON INSERT, GR 2, Y/D
11	SNDR10025		HEX BOLT, 1/4"-20 X 5/8", GR 5, Y/D
12	SNDR12003		CLAMP, GRASS SEED TUBE
13	SNDR20005		SEED TUBE, .875" OD X .625" ID.125" W, 48" L
14	SN6694		SHAFT, 88 1/4", 3/8" SQ, Y/D (40')
	SN7953		SHAFT, 96 1/2", 3/8" SQ, Y/D (40')
	SN7954		SHAFT, 126 1/2", 3/8" SQ, Y/D (30' & 40')
15	SNB1142		ADJUSTMENT KNOB, Y/D
16	SN6713		SPACER,1.00" OD X .563" ID,1" L,Y/D
17	SN6378		LOCK NUT, 5/16" HEX NYLON
18	SN6377		FLAT WASHER, 5/16" Y/D
19	SN7955R		SPACER, .750" OD X .437 ID, 4" L
20	SN6711		CHAIN, 48 1/8" W/HALF LINK NO. 50
21	SN6710		SPROCKET, DOUBLE (2) 17 TOOTH, 1" BORE #50 CHAIN
22	SN7957		CHAIN GUARD BEARING BRACKET, RIGHT GRASS SEEDER
	SN7958		CHAIN GUARD BEARING BRACKET, LEFT GRASS SEEDER
23	SN177		HEX NUT, 3/8"-16 FULL, GR 2, Y/D
24	SNDR10506		WING NUT, 3/8"-16, Y/D
25	SN6569		BUSHING, KEYED 1" OD X .380" SQ ID, 2 1/2" L, Y/D
26	SN159		JAM NUT, 1/2"-13, GR 2, Y/D
27	SN6695		CONNECTOR, METER SHAFT (3/8")
28	SNDR41509		KEY, 1/4" X 1 1/4" SPROCKET
29	SN6376		CARRIAGE BOLT, 5/16"-18 X 1" GR 5, Y/D
30	SN3984		HEX BOLT, 3/8"-16 X 1 1/4",GR 5, Y/D
31	SN3722		HEX BOLT, 5/16"-18 X 1", GR 5, Y/D

I0006347
PR: t05g30n06d0055

GRASS SEEDER AGITATOR ASSEMBLY

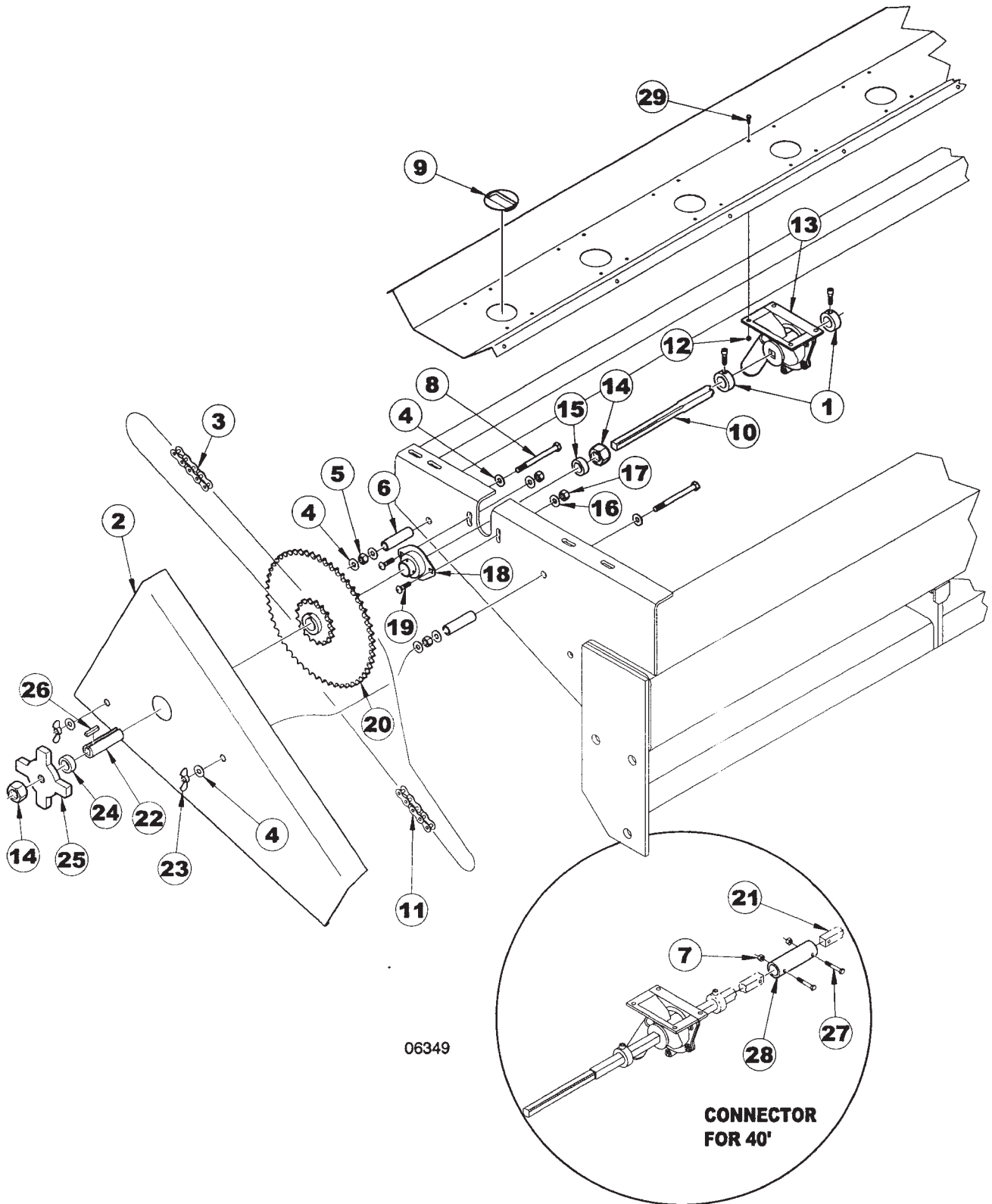


GRASS SEEDER AGITATOR ASSEMBLY

ITEM	NUMBER	QTY	DESCRIPTION
1	SN6714		SPROCKET, 14 TOOTH, 1" BORE #50 CHAIN
2	SNDR30009		BEARING, 1" LFST
3	SN6709		CHAIN, 16 7/8" NO. 50
4	SN6376		CARRIAGE BOLT, 5/16"-18 X 1" GR 5, Y/D
5	SN6377		FLAT WASHER, 5/16" Y/D
6	SN6378		LOCK NUT, 5/16" HEX NYLON
7	SNDR41509		KEY, 1/4" X 1 1/4" SPROCKET
8	SN6699		AGITATOR SHAFT, 7 3/8", Y/D
9	SN2486		HEX BOLT, 1/4"-20 X 1 1/2", GR 2, Y/D
10	SN6703		AGITATOR
11	SN6696		AGITATOR SHAFT, 55 1/2"
12	SN6701		AGITATOR CONNECTOR, 5 1/8", Y/D
13	SN3881		LOCK NUT, 1/4"-20 HEX NYLON INSERT , GR 2, Y/D
14	SN6702		AGITATOR CONNECTOR, 3 3/4", Y/D
15	SN6697		AGITATOR SHAFT, 43 3/8"
16	SN6698		AGITATOR SHAFT, 40 1/16"
17	SN3722		HEX BOLT, 5/16"-18 X 1", GR 5, Y/D
18	SN6700		AGITATOR CONNECTOR, 7 1/2", Y/D
19	SN7459		BEARING PLATE, AGITATOR

I0006348
PR: t05g30n06d0056

DRILL SHAFT ASSEMBLY WHEN USING GRASS
SEEDER



06349

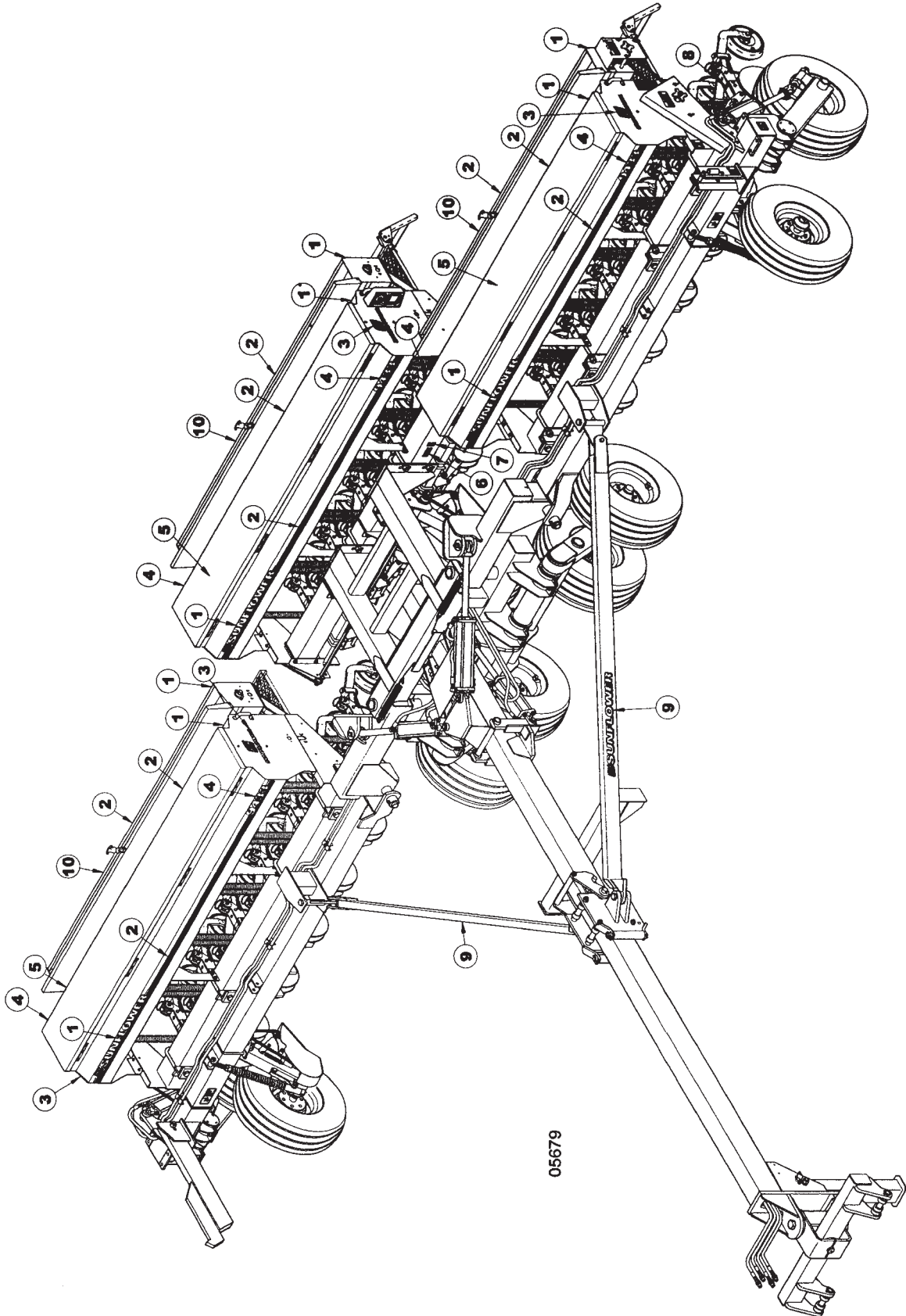
CONNECTOR
FOR 40'

DRILL SHAFT ASSEMBLY WHEN USING GRASS
SEEDER

ITEM	NUMBER	QTY	DESCRIPTION
1	SN6581		LOCKING COLLAR, 1 1/2" OD X .6325 SQ. W/CAP SCREW
2	SN9190		CHAIN GUARD, RIGHT
	SN9191		CHAIN GUARD, LEFT
3	SN6711		CHAIN, 48 1/8" W/HALF LINK NO. 50
4	SN317		FLAT WASHER, 3/8", Y/D
5	SN177		HEX NUT, 3/8"-16 FULL, GR 2, Y/D
6	SNB2620		SPACER, .750" OD X .500" ID, .125" WALL, 2 5/8" L
7	SN3881		LOCK NUT, 1/4"-20 HEX NYLON INSERT, GR 2, Y/D
8	SNDR10026		HEX BOLT, 3/8"-16 X 4" GR 5, Y/D
9	SNDR12017		PLUG, SEED METER
10	SNB1598		SHAFT, 94", 5/8" SQ, Y/D
	SN9188		SHAFT, 124 3/4", 5/8" SQ, Y/D
11	SN9176		CHAIN, 79 3/8" L NO. 50
12	SN10326		NUT, 10-24 UNC HEX HEAD W/LOCKWASHER
13	SNA0012		SEED METER ASSEMBLY
14	SN1243		JAM NUT, 3/4"-10 HEX, GR 2, Y/D
15	SN6704		SPACER, 1.250"OD X .875"ID, .188" W, 3/4" L
16	SN6377		FLAT WASHER, 5/16" Y/D
17	SN6378		LOCK NUT, 5/16" HEX NYLON
18	SNDR30009		BEARING, 1" LFST
19	SN6376		CARRIAGE BOLT, 5/16"-18 X 1" GR 5, Y/D
20	SN6707		SPROCKET, DOUBLE (1) 54 TOOTH (1)17 TOOTH, 1" BORE #50 CHAIN
21	SNB1599		SHAFT, 88 1/4", 5/8" SQ, Y/D
22	SNDR41506		BUSHING, KEYED 1.000"OD X .630"SQ ID, 3 1/4" L, Y/D
23	SNDR10506		WING NUT, 3/8"-16, Y/D
24	SNBT10275		SPACER, 1.250" OD X .781" ID, .234" WALL, 15/32" L, Y/D
25	SNB1540		ADJUSTMENT KNOB, Y/D
26	SNDR41506		BUSHING, KEYED 1.000"OD X .630"SQ ID, 3 1/4" L, Y/D
27	SN1550		HEX BOLT, 1/4"-20 X 2", GR 2 Y/D
28	SN9189		CONNECTOR, METER SHAFT, 5" L
29	SN9076		HEX BOLT, NO. 10-24 X 1/2",GR 2, Y/D

I0006349
PR: t05g30n06d0057

DECAL PLACEMENT



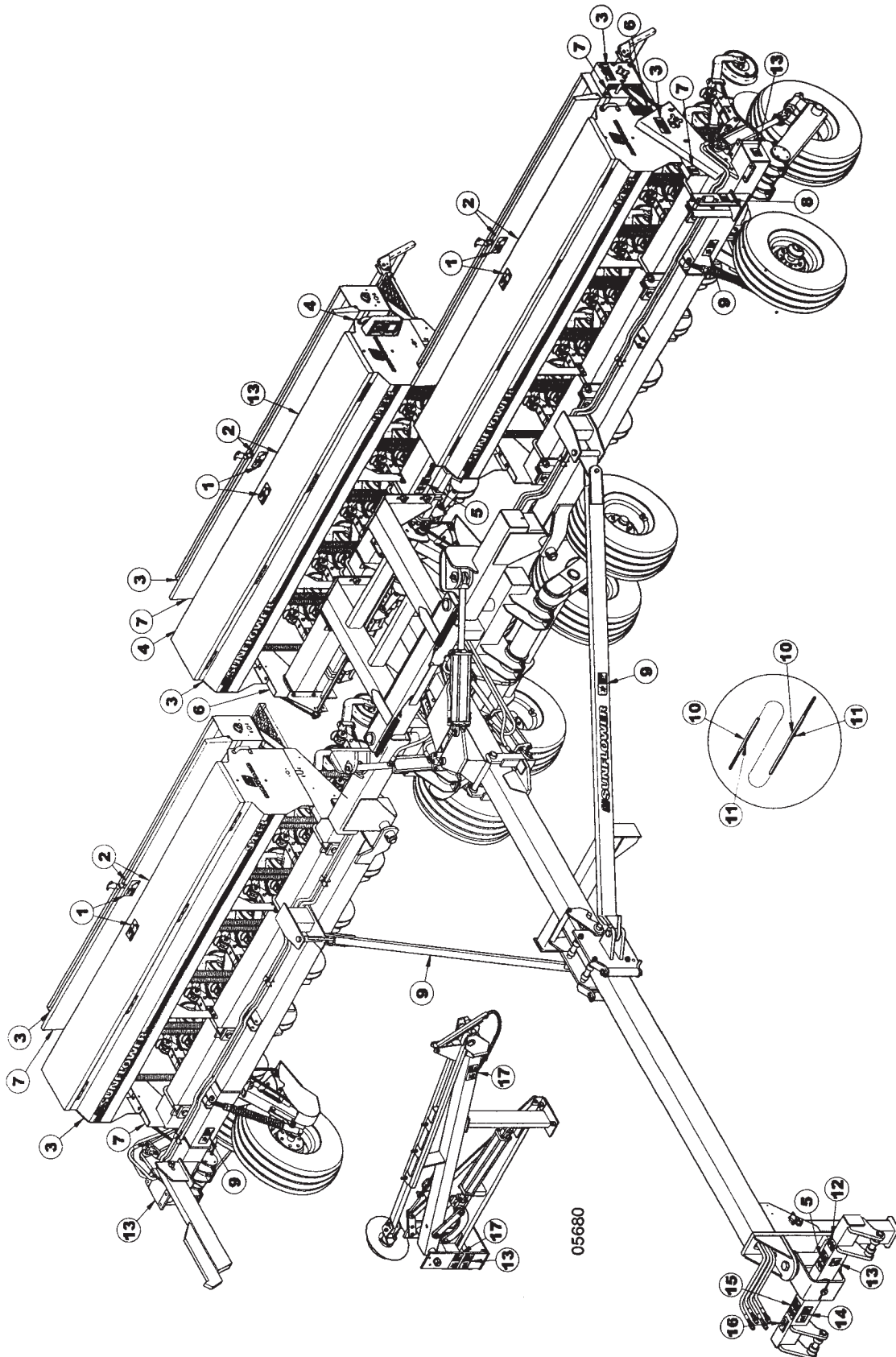
05679

DECAL PLACEMENT

ITEM	NUMBER	QTY	DESCRIPTION
1	SN997701		3 1/2" X 36 1/2" L SUNFLOWER/GRAIN DRILL DECAL
2	SN997707		STRIPE, 2 1/8" X 76" L, YELLOW/BLACK
3	SN997708		SUNFLOWER DECAL - END PANEL
4	SN997706		9433 DECAL
5	SN997327		SEED CHART DECAL, GRAIN DRILL
6			SERIAL NUMBER PLATE
7	SN997246		FEMA DECAL
8	SN997459		PATENT DECAL, #5,626,196
9	SN997002		SUNFLOWER DECAL
10	SN997326		SEED CHART DECAL, GRASS SEED

I0005679
PR: t05g30n06d0058

SAFETY SIGN PLACEMENT



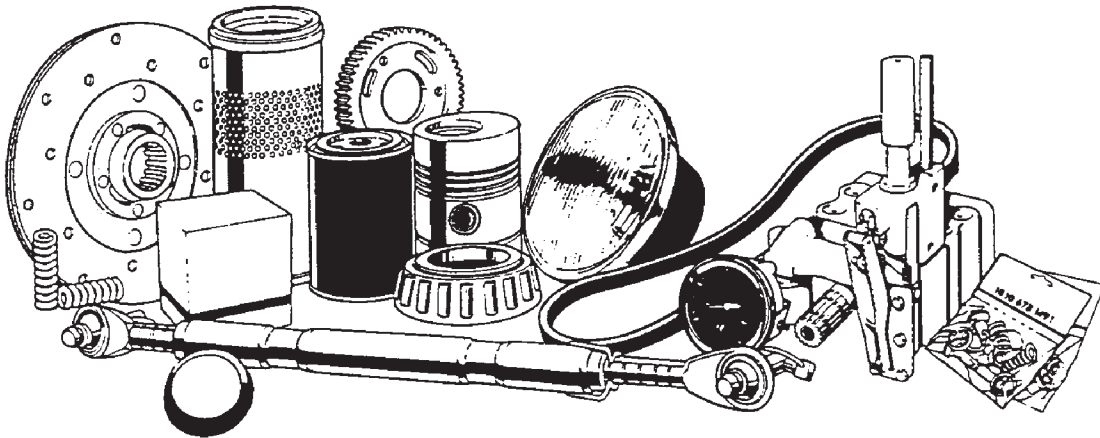
SAFETY SIGN PLACEMENT

ITEM	NUMBER	QTY	DESCRIPTION
1	SN997320		WARNING - FALLING HAZARD
2	SN997325		WARNING - CHEMICAL HAZARD
3	SN997319		WARNING - MOVING PART HAZARD
4	SN997040		RED REFLECTIVE TAPE
5	SN997043		READ OPERATORS MANUAL
6	SN997041		AMBER REFLECTIVE TAPE
7	SN997321		WARNING - GUARD MISSING
8	SN997313		CAUTION - INSTALL LOCK PINS BEFORE TRANSPORTING
9	SN997322		DANGER - FRAME PINCH POINT
10	SN997339		RED REFLECTIVE TAPE, 1/2" X 3" L
11	SN997340		YELLOW REFLECTIVE TAPE, 1/2" X 3" L
12	SN997318		WARNING - 20 MPH MAX TRANSPORT SPEED
13	SN997408		TRANSPORTING HAZARD
14	SN997323		DANGER - ELECTROCUTION HAZARD
15	SN997311		HIGH PRESSURE FLUID HAZARD
16	SN997052		SYSTEMS MUST BE BLED OF AIR
17	SN997324		DANGER - OVERHEAD MARKER HAZARD

I0005680
PR: t05g30n06d0059

RECOMMENDED DEALER STOCK

RECOMMENDED DEALER'S STOCK



ITEM	NUMBER	QTY	DESCRIPTION
-	SN7773	1	14" BLADE, 4 BOLT, .138" THICK .78"
-	SN3686	1	8 BOLT HUB ASSEMBLY (30') (INCLUDES
-	SN6943	1	ACREMETER, 9.5L X 40'
-	SNDR41518	1	ACREMETER, 9.5L/11L-15 X 30'
-	SNB1540	1	ADJUSTMENT KNOB, Y/D
-	SNFK310062	1	BEARING (JLM506849) (40')
-	SN776	1	BEARING (L44643)
-	SN1935	1	BEARING (LM501349) (40')
-	SN1606	1	BEARING (LM67048) (30')
-	SN3683	1	BEARING(LM603049) (30')
-	SN7446	1	CHAIN, 5/16" PROOF, 109 1/8" L
-	SN7445	1	CHAIN, 5/16" PROOF, 78 3/4" L
-	SN10056	1	CLUTCH, LEFT
-	SN10055	1	CLUTCH, RIGHT
-	SN10052	1	CONTROL BOX ASSY
-	SN7040	1	DEPTH LOCK, ALL PURPOSE, Y/D
-	SN5844	1	DUAL LAMP, AMBER FT/REAR & RED REAR,
-	SN5845	1	DUAL LAMP, AMBER FT/REAR & RED REAR,
-	SN7779	1	DUST CAP, 1.986" OD X .032" TH Y/D
-	SN1610	1	DUST CAP, 2.448" OD, Y/D (30')
-	SNFK340162	1	DUST CAP, 3.125" OD, Y/D (40')
-	SNFK800384	1	EIGHT BOLT HUB ASSY. (40') (INCLUDES
-	SN7780	1	FOUR BOLT HUB W/CUPS & ZERK
-	SN5847	1	HARNESS, 15' WISHBONE W/FLAT &
-	SN5846	1	HARNESS, 25' STR SEC, SHIELDED FESTOON
-	SN5848	1	HARNESS, 5' EXTENSION W/TRIAN-GULAR
-	SN5849	1	HARNESS, 5' EXTENSION W/TRIAN-GULAR
-	SN10050	1	HARNESS, EXTENSION 20'
-	SN10051	1	HARNESS, PLANTER
-	SN3302	1	HEX NUT, 1"-14 FULL SLOTTED GR 2, PLAIN
-	SN7778	1	HEX NUT, 1"-14 SLOTTED .531" TH GR 2,
-	SNA0007	1	HOPPER LATCH ASSEMBLY
-	SN6581	1	LOCKING COLLAR, 1 1/2" OD X 7/8" ID X
-	SN7781	1	MARKER ARM DEPTH BAND
-	SNFK310063	1	RACE (JLM506810) (40')
-	SN777	1	RACE (L44610)
-	SN1936	1	RACE (LM501310) (40')
-	SN3684	1	RACE (LM603011) (30')
-	SN1605	1	RACE (LM67010) (30')
-	SN2566	1	S.M.V. SOCKET
-	SNFK310064	1	SEAL, 8-BOLT (40')
-	SN7775	1	SEAL, SINGLE LIP
-	SN3300	1	SIX BOLT HUB ASSEMBLY W/3301 SEAL
-	SNBT10258	1	SMV BRACKET
-	SN7001	1	SMV EMBLEM

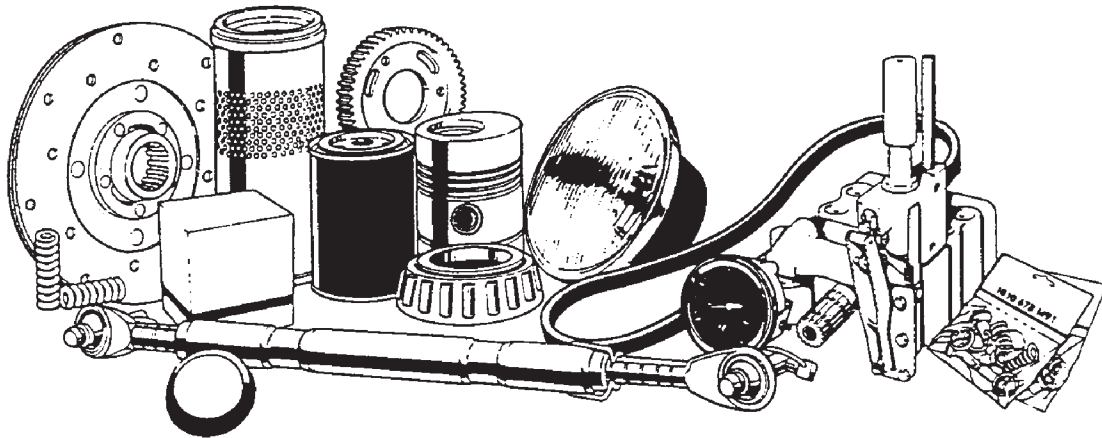
NOTE: THIS PARTS STOCK LIST
INDICATES THOSE ITEMS RECOMMENDED
TO SERVICE ONE UNIT.

CONTINUED

RDL
PR: t05g30n06d0060

RECOMMENDED DEALER STOCK

RECOMMENDED DEALER'S STOCK



ITEM	NUMBER	QTY	DESCRIPTION
-	SN7825	1	SPINDLE, 1 1/4" X 8 5/8"(1"-14 UNS THD)
-	SN6555	1	SPINDLE, 2 3/4" X 14 47/64" L (30')
-	SN5621	1	SPINDLE, 2 3/4" X 15 5/16"L (40')
-	SN3298	1	SPINDLE, 2" X 11 1/4"
-	SN9136	1	SPINDLE, GAUGE WHEEL, 6 BOLT HUB
-	SN9708	1	SPRING, .162" WIRE DIA X 5" L EXTENS
-	SN7083	1	SPRING, .500" OD X .375" ID, 1 1/2" L
-	SN7198	1	SPRING, 1.250" OD X 1.020" ID, 6"
-	SN10296	1	SPRING, 2.1875" OD X 1.4375" ID X 15" L,
-	SN10325	1	SPRING,.105" WIRE DIA X 4 3/4" L
-	SN9077	1	SPROCKET, 10 TOOTH, 7/8" HEX BORE
-	SN9078	1	SPROCKET, 12 TOOTH, 7/8" HEX BORE
-	SN9079	1	SPROCKET, 24 TOOTH, 7/8" HEX BORE
-	SNDR40506	1	SPROCKET, 54 TOOTH, 1" BORE #50 CHAIN
-	SN3301	1	TRIPLE LIP SEAL (30')
-	SNDR56006	1	VALVE, 3/4-16 OR SEQUENCE
-	SNFK340165	1	WASHER, 1 1/16" ID X 2 1/8" OD X 1/4"
-	SN3303	1	WASHER, 1 1/32" ID X 1 3/4" ODX 1/8"
-	SNDR80011	12	WASHER, MACHINE
-	SN5201	2	BALL LOCK PIN, 3/8" X 3"
-	SNDR30022	2	BEARING, 1 1/2" BORE W/LOCK COLLAR
-	SNDR30009	2	BEARING, 1" LFST
-	SN9081	2	BEARING, 7/8" HEX BORE
-	SN5934	2	BUSHING, 1 1/4" OD X 1" ID, 5/8" L
-	SN7043	2	CLAMP BUSHING, 1" OD X .760"ID,.120" W,
-	SN9102	2	DEPTH CAM ASSY, ALL PURPOSE
-	SNB1127	2	DUST CAP
-	SNDR81044	2	HEX BOLT, 3/4"-10 LH X 2", GR 5, Y/D
-	SN1193	2	HEX BOLT, 3/8"-16 X 3/4",GR 5, Y/D
-	SN9083	2	KLIK PIN, 1/4" DIA X 2 1/8"
-	SN7024	2	L-BOLT, 5/8"-11 X 4 5/8" X 6 5/8", Y/D
-	SNDR12017	2	PLUG, SEED METER
-	SN10127	2	SCRAPER, OPENER LEFT
-	SN10126	2	SCRAPER, OPENER RIGHT
-	SN8800-1	2	SEAL KIT, 2 1/2" X 8" CROSS
-	SN8756-1	2	SEAL KIT, 2 1/2", 1 1/16" ROD, CROSS
-	SN8776-1	2	SEAL KIT, 3 3/4", 1 3/8" ROD, REPHASING
-	SN8762-1	2	SEAL KIT, 3", 1 1/4" ROD, CROSS
-	SN8939-1	2	SEAL KIT, 3", 1 1/4" ROD, CROSS
-	SN8799-1	2	SEAL KIT, 4 1/2", 1 1/2" ROD, CROSS
-	SN8951-1	2	SEAL KIT, 4 1/2", 1 1/2" ROD, CROSS
-	SN8780-1	2	SEAL KIT, 4 1/4", 1 3/8" ROD REPHASING
-	SN8789-1	2	SEAL KIT, 4", 1 1/2" ROD REPHASING CROSS
-	SN8612-1	2	SEAL KIT, 4", 1 1/2" ROD, CROSS
-	SN8781-1	2	SEAL KIT, 4", 1 3/8" ROD REPHASING CROSS

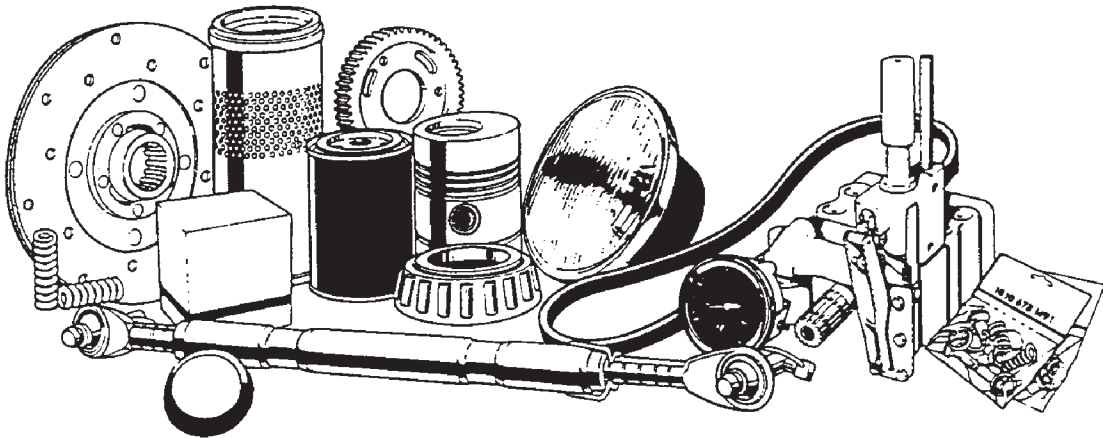
NOTE: THIS PARTS STOCK LIST
INDICATES THOSE ITEMS RECOMMENDED
TO SERVICE ONE UNIT.

CONTINUED

RDL
PR: t05g30n06d0060

RECOMMENDED DEALER STOCK

RECOMMENDED DEALER'S STOCK



RECOMMENDED DEALER STOCK

ITEM	NUMBER	QTY	DESCRIPTION
-	SNA0012	2	SEED METER ASSEMBLY
-	SN9937	2	SEED TUBE, ALL PURPOSE HEADS UP
-	SNDR20004	2	SEED TUBE, RUBBER
-	SN7026	2	SPRING, 1.6875" OD X 1.1635" ID,
-	SN10479	2	SPRING, 2.125"OD X 1.513"ID, 8 3/8" L,
-	SNDR80029	2	SPROCKET, IDLER
-	SN2355	2	STROKE CONTROL SEGMENTS,1 1/2" DIAMETER
-	SN7409	2	TIRE, 2" X 13" V-CROWN
-	SN7410	2	TIRE, 3" X 13" CENTER RIB
-	SN7407	2	TIRE, 3" X 13" DOUBLE RIB CLINCHER
-	SN7408	2	TIRE, 4" X 12" DOUBLE RIB
-	SN7070	2	U-BOLT, 1"-8 X 9" X 8 1/16" W, GR 5, Y/D
-	SN4843	2	U-BOLT, 1/2"-13 X 5 1/4" X 2 1/2"
-	SNDR80018	2	U-BOLT, 1/2"-13 X 8 1/4" X 7 5/8" W,
-	SNDR80019	2	U-BOLT, 3/4"-10 X 8 3/4" X 7 13/16" W,
-	SNDR11502	2	U-BOLT, 3/8"-16 X 2 5/8" X 3 1/2" W,
-	SNDR11507	2	U-BOLT, 7/16"-14 X 4" X 2 1/2"W,
-	SNDR80044	2	U-BOLT, 7/8"-9 X 8 3/4" X 7 15/16" W,
-	SN3564	2	WIRE LOCK PIN, 3/8" X 1 1/2"
-	SN7218	4	BEARING, 40MM
-	SNDR12011	4	CLAMP, SEED TUBE
-	SN2045	4	HEX BOLT, 1/2"-13 X 1 3/4", GR5, Y/D
-	SN2096	4	LOCK NUT, 1/2"-13 HEX NYLON INSERT
-	SN7201	4	SOIL CONTROL STRIP
-	SN7859	4	SUPPORT, SOIL CONTROL STRIP
-	SN3118	6	LUG BOLT, 9/16"-18 X 1 7/8" PRESS IN, PL
-	SN1611	6	LUG NUT, 1/2"-20, GR 5, 90 DEG TAPER,
-	SN3117	6	LUG NUT, 9/16"-18, GR 5, 90 DEG TAPER,
-	SN7784	6	SHOULDER BOLT, 1/2"-20 X 1 7/8" PRESS
-	SNFK340167	8	LUG BOLT, 5/8"-18 X 2 1/4"
-	SNFK340168	8	LUG NUT, 5/8"-18, GR 5, 90 DEGTAPER, Y/D

NOTE: THIS PARTS STOCK LIST
INDICATES THOSE ITEMS RECOMMENDED
TO SERVICE ONE UNIT.

RDL
PR: t05g30n06d0060



SUNFLOWER®

9130 & 9230

***Air Cart
Parts Manual***

Table of Contents

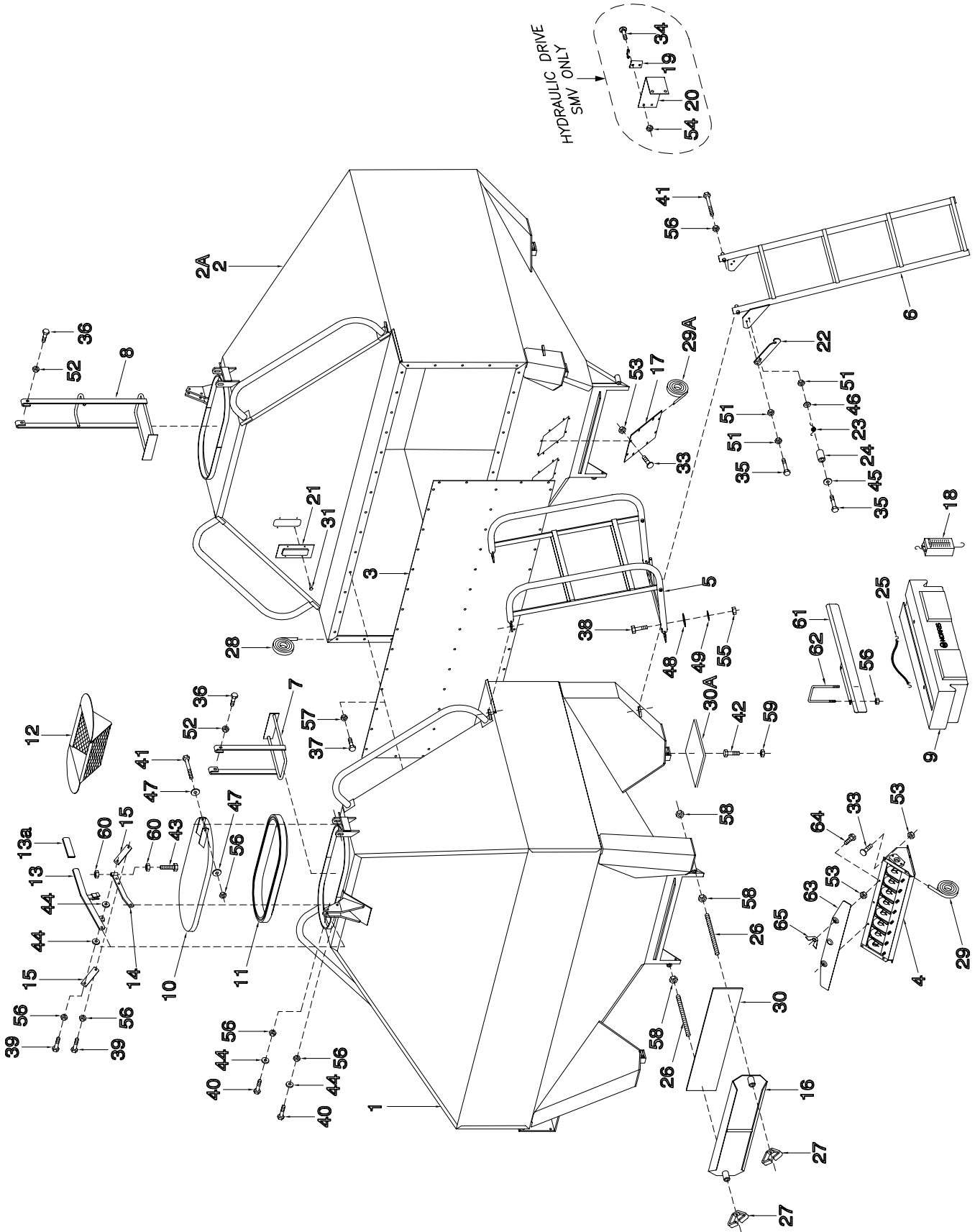
Section 1:	
Hopper & Frame	1-1
9130 Hopper Assembly	1-2
9230 Hopper Assembly	1-4
9130 Tow Between Frame Assembly	1-6
9230 Tow Between Frame Assembly	1-8
Section 2:	
Metering	2-1
Metering Drive Assembly	2-2
Coated Metering Bodies	2-6
Optional Fertilizer Clutch Assembly	2-8
Remote Clutch Switch	2-10
Section 3:	
Wheel & Hub	3-1
Wheel Assembly	3-2
Section 4:	
Distribution	4-1
Tow Between Single Shoot	4-2
Divider Head	4-4
Section 5:	
Fan & Auger Drives	5-1
Auger Hydraulics w/Hydraulic Fan Drive (Prior to October 2005)	5-2
Auger Hydraulics w/Hydraulic Fan Drive (From October 2005)	5-4
Section 6:	
Auger	6-1
9130 - 7" Auger Assembly Front Mount	6-2
9230 - 7" Auger Assembly Front Mount	6-4
9230 - 8" Auger Assembly Front Mount	6-6
Section 7:	
Fan	7-1
Crary Hydraulic Fan	7-2
Section 8:	
Monitor & Blockage Module	8-1
Monitor and Blockage Module Assembly	8-2
Section 9:	
Three Point Hitch	9-1
Three Point Hitch Assembly	9-2
Three Point Hitch Hydraulics	9-4
Gland-Bypass Cylinder	9-6
Section 10:	
Safety Lights	10-1
Safety Lighting	10-2
Index	Index-i

Section 1: Hopper & Frame

Section Contents

9130 Hopper Assembly	1-2
9230 Hopper Assembly	1-4
9130 Tow Between Frame Assembly	1-6
9230 Tow Between Frame Assembly	1-8

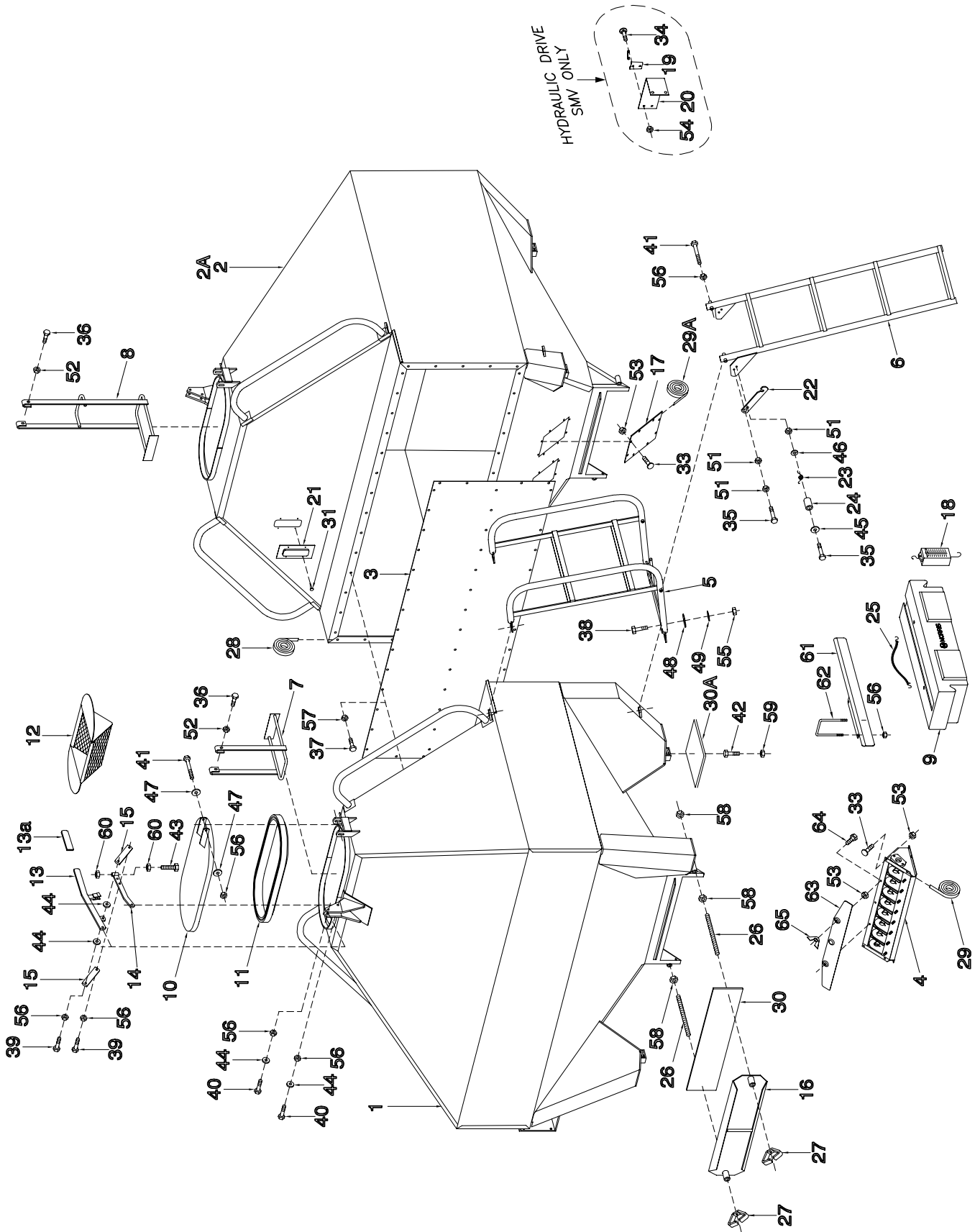
Hopper & Frame 9130 Hopper Assembly



Hopper & Frame - 9130 Hopper Assembly

Item	Part No.	Description	Qty	Item	Part No.	Description	Qty
1	N27191	Hopper - Front	1	42	W-490	Hex Bolt - 1/2 x 2 1/2 Lg	8
2	N27192	Hopper - Rear	1	43	N19127	Lid Bolt - 1/2 x 2 3/4 Lg	2
3	N27337	Tank Panel	1	44	N21266	Washer - Wear - 1/4 x 1 1/2 Dia	8
4		Metering Body - 8 Outlet (See Section 2 page 6)	2	45	D-5488	Flatwasher - 5/16 x 13/16 OD	1
5	N27475	Handrail - Tank	1	46	W-522	Lockwasher - 5/16	1
6	N24792	Ladder 4 Step	1	47	D-5489	Flatwasher - 3/8 x 13/16 OD	4
7	N27375	Ladder - Inner - Front Tank	1	48	D-5579	Flatwasher - 3/8 x 1 OD	4
8	N27380	Ladder - Inner - Rear Tank	1	49	W-523	Lockwasher - 3/8	4
9	N27005	Sample Collector	1	50			4
10	N27715	Lid	2	51	W-513	Hex Nut - 5/16	3
11	N19496	Lid Seal	2	52	D-5272	Locknut - 5/16 Unitorque	4
12	N19726	Screen	2	53	D-5278	Locknut - 5/16 Serrated	46
13	N32770	Handle - Tank Lid	2	54	D-5278	Locknut - 5/16 Serrated	2
13A	N32769	Vinyl Grip - Tank Lid Handle	2	55	W-514	Hex Nut - 3/8	4
14	N19108	Link	2	56	M-3388	Locknut - 3/8 Unitorque	16
15	N19109	Link	4	57	D-5279	Locknut - 3/8 Serrated	52
16	N27080	Door - Cleanout	2	58	W-516	Hex Nut - 1/2	8
17	N27455	Plate - Cover - Dual Outlet	4	59	F-3405	Locknut - 1/2 Unitorque	8
18	N29280	Scale (0 to 50 lb Capacity)	1	60	S-1292	Jam Nut - 1/2	4
19	W-1558	Slow Moving Sign Socket	1	61	N27856MR	Bracket - Sampler	1
20	N21475	Slow Moving Sign Bracket	1	62	N19723	U-Bolt - 3/8 x 4 1/16 x 7 3/8	2
21	N19791	Sight Glass	2	63	N28831	Cover Plate - Meterbody (For Fine Seeds)	1
22	N19211	Ladder Lock Arm	1	64	N29048	Hex Bolt - 5/16 x 1 Lg Stainless Steel	2
23	D-5098	Spring	1	65	N29049	Wingnut - 5/16 Stainless Steel	2
24	N19366	Bushing - 1/2 OD x 0.334 ID x 5/8 Lg	1				4
25	N19563	Rubber Tie Strap - 10"	2				3
26	N27155	Redi-Rod - 1/2 x 7 1/2 Lg	4				2
27	N27360	Wing Locknut - 1/2	4				2
28	N13900	Seal Strip - 3/16 x 1 3/4 (Bulk/Ft)	35.5 Ft				1
29	N15716	Seal Strip - 1/4 x 1 x 152 Lg (Bulk/Ft)	2				2
29A	N15716	Seal Strip - 1/4 x 1 x 38 Lg (Bulk/Ft)	4				4
30	N19437	Seal Strip - 3/8 x 7 x 26 1/2 Lg (Bulk/Ft)	2				2
30A	N19437	Seal Strip - 3/8 x 7 x 8 Lg (Bulk/Ft)	8				2
31	N21450	Pop Rivet - 1/8 x 1/2 Lg - Closed Head	8				2
32							2
33	D-5259	Carriage Bolt - 5/16 x 3/4 Lg	44				1
34	D-5259	Carriage Bolt - 5/16 x 3/4 Lg	2				1
35	W-472	Hex Bolt - 5/16 x 1 1/4 Lg	2				1
36	W-473	Hex Bolt - 5/16 x 1 1/2 Lg	4				1
37	W-475	Hex Bolt - 3/8 x 1 Lg	52				1
38	W-187	Hex Bolt - 3/8 x 1 1/4 Lg	4				1
39	W-619	Hex Bolt - 3/8 x 1 3/4 Lg	4				1
40	W-479	Hex Bolt - 3/8 x 2 1/4 Lg	4				1
41	C-3918	Hex Bolt - 3/8 x 5 Lg	4				1

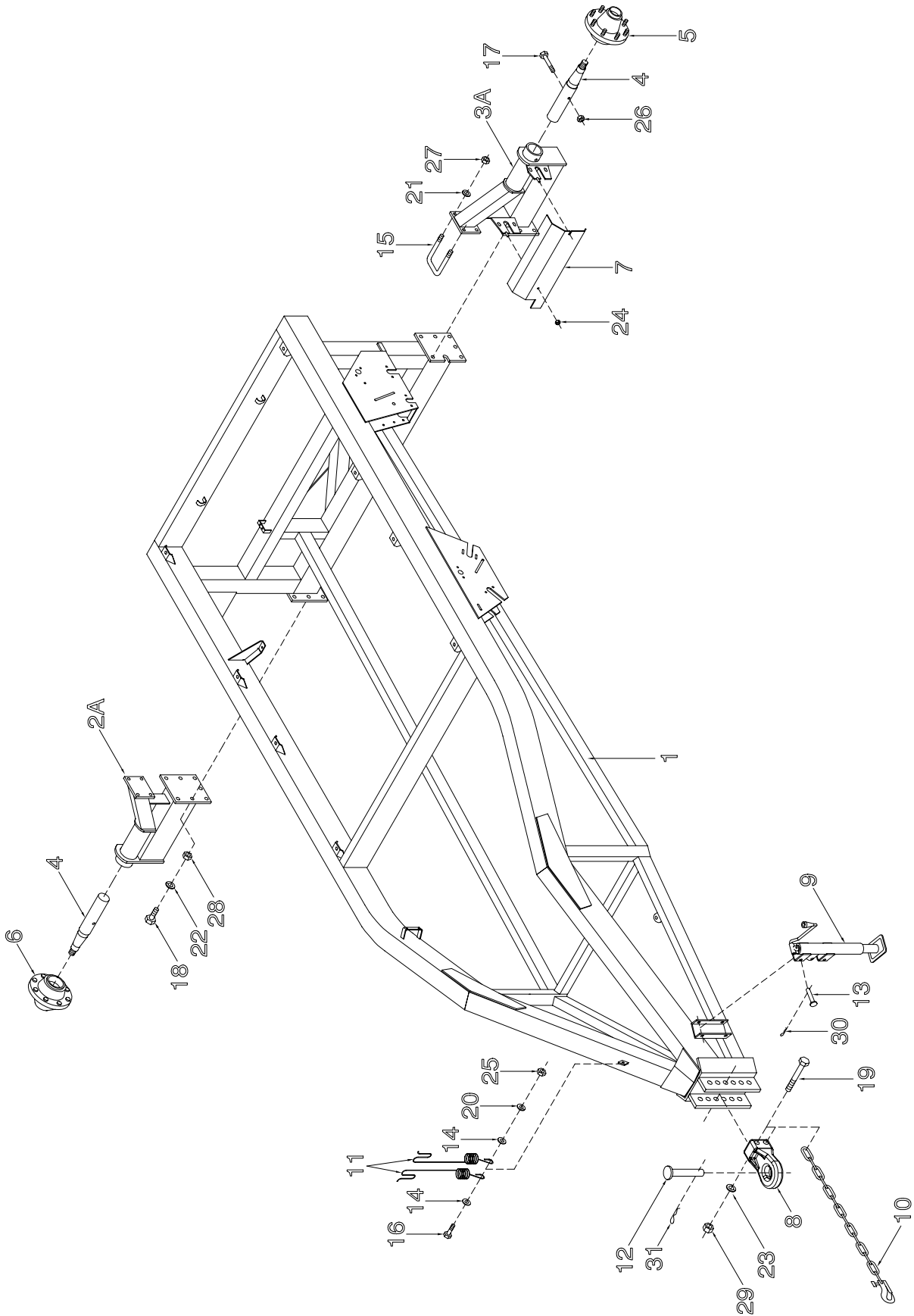
Hopper & Frame 9230 Hopper Assembly



Hopper & Frame - 9230 Hopper Assembly

Item	Part No.	Description	Qty	Item	Part No.	Description	Qty
1	N27251	Hopper - Front	1	42	W-490	Hex Bolt - 1/2 x 2 1/2 Lg	8
2	N27252	Hopper - Rear	1	43	N19127	Lid Bolt - 1/2 x 2 3/4 Lg	2
3	N27338	Tank Panel	1	44	N21266	Washer - Wear - 1/4 x 1 1/2 Dia	8
4		Metering Body - 8 Outlet (See Section 2 page 6)	2	45	D-5488	Flatwasher - 5/16 x 11/16 OD	1
5	N27480	Handrail - Tank	1	46	W-522	Lockwasher - 5/16	1
6	N24792	Ladder - 4 Step	1	47	D-5489	Flatwasher - 3/8 x 13/16 OD	4
7	N27385	Ladder - Inner - Front Tank	1	48	D-5579	Flatwasher - 3/8 x 1 OD	4
8	N27390	Ladder - Inner - Rear Tank	1	49	W-523	Lockwasher - 3/8	4
9	N27005	Sample Collector	1	50			4
10	N27715	Lid	2	51	W-513	Hex Nut - 5/16	3
11	N19496	Lid Seal	2	52	D-5272	Locknut - 5/16 Unitorque	4
12	N19726	Screen	2	53	D-5278	Locknut - 5/16 Serrated	46
13	N32770	Handle - Tank Lid	2	54	D-5278	Locknut - 5/16 Serrated	2
13A	N32769	Vinyl Grip - Tank Lid Handle	2	55	W-514	Hex Nut - 3/8	4
14	N19108	Link	2	56	M-3388	Locknut - 3/8 Unitorque	16
15	N19109	Link	4	57	D-5279	Locknut - 3/8 Serrated	52
16	N27080	Door - Cleanout	2	58	W-516	Hex Nut - 1/2	8
17	N27455	Plate - Cover - Dual Outlet	4	59	F-3405	Locknut - 1/2 Unitorque	8
18	N29280	Scale (0 to 50 lb Capacity)	1	60	S-1292	Jam Nut - 1/2	4
19	W-1558	Slow Moving Sign Socket	1	61	N27856MR	Bracket - Sampler	1
20	N21475	Slow Moving Sign Bracket	1	62	N25457	U-Bolt - 3/8 x 4 1/16 x 8 15/16	2
21	N19791	Sight Glass	2	63	N28831	Cover Plate - Meterbody (For Fine Seeds)	1
22	N19211	Ladder Lock Arm	1	64	N29048	Hex Bolt - 5/16 x 1 Lg Stainless Steel	2
23	D-5098	Spring	1	65	N29049	Wingnut - 5/16 Stainless Steel	2
24	N19366	Bushing - 1/2 OD x 0.334 ID x 5/8 Lg	1	SFN34235	Decal - STRIPE with SUNFLOWER (Not Shown)		
25	N19563	Rubber Tie Strap - 10"	2	SFN34236	Decal - STRIPE (Not Shown)		3
26	N27155	Redi-Rod - 1/2 x 7 1/2 Lg	4	SFN34237	Decal - "9230" (Not Shown)		2
27	N27360	Wing Locknut - 1/2	4	N34474	Decal - Slow Moving Vehicle		1
28	N13900	Seal Strip - 3/16 x 1 3/4 (Bulk/Ft)	37 Ft	N34476	Reflector (Red) (Not Shown)		2
29	N15716	Seal Strip - 1/4 x 1 x 152 Lg (Bulk/Ft)	2	N34477	Reflector (Amber) (Not Shown)		4
29A	N15716	Seal Strip - 1/4 x 1 x 38 Lg (Bulk/Ft)	4	N34478	Reflector (Orange) (Not Shown)		2
30	N19437	Seal Strip - 3/8 x 7 x 26 1/2 Lg (Bulk/Ft)	2	N15094	Decal - Caution (Not Shown)		2
30A	N19437	Seal Strip - 3/8 x 7 x 8 Lg (Bulk/Ft)	8	N21604	Decal - Important "CORROSION" (Not Shown)		2
31	N21450	Pop Rivet - 1/8 x 1/2 Lg - Closed Head	8	N27851	Rate Chart Decal - Slow Speed (Not Shown)		1
32				N27852	Rate Chart Decal - Seed (Not Shown)		1
33	D-5259	Carriage Bolt - 5/16 x 3/4 Lg	44	N27853	Rate Chart Decal - Fertilizer (Not Shown)		1
34	D-5259	Carriage Bolt - 5/16 x 3/4 Lg	2	N28667	Rate Chart Decal - Soybeans (Not Shown)		1
35	W-472	Hex Bolt - 5/16 x 1 1/4 Lg	2	N34281	Rate Chart Decal - Sunflowers (Not Shown)		1
36	W-473	Hex Bolt - 5/16 x 1 1/2 Lg	4	N29063	Decal - Cover Plate (Not Shown)		1
37	W-475	Hex Bolt - 3/8 x 1 Lg	52				
38	W-187	Hex Bolt - 3/8 x 1 1/4 Lg	4				
39	W-619	Hex Bolt - 3/8 x 1 3/4 Lg	4				
40	W-479	Hex Bolt - 3/8 x 2 1/4 Lg	4				
41	C-3918	Hex Bolt - 3/8 x 5 Lg	4				

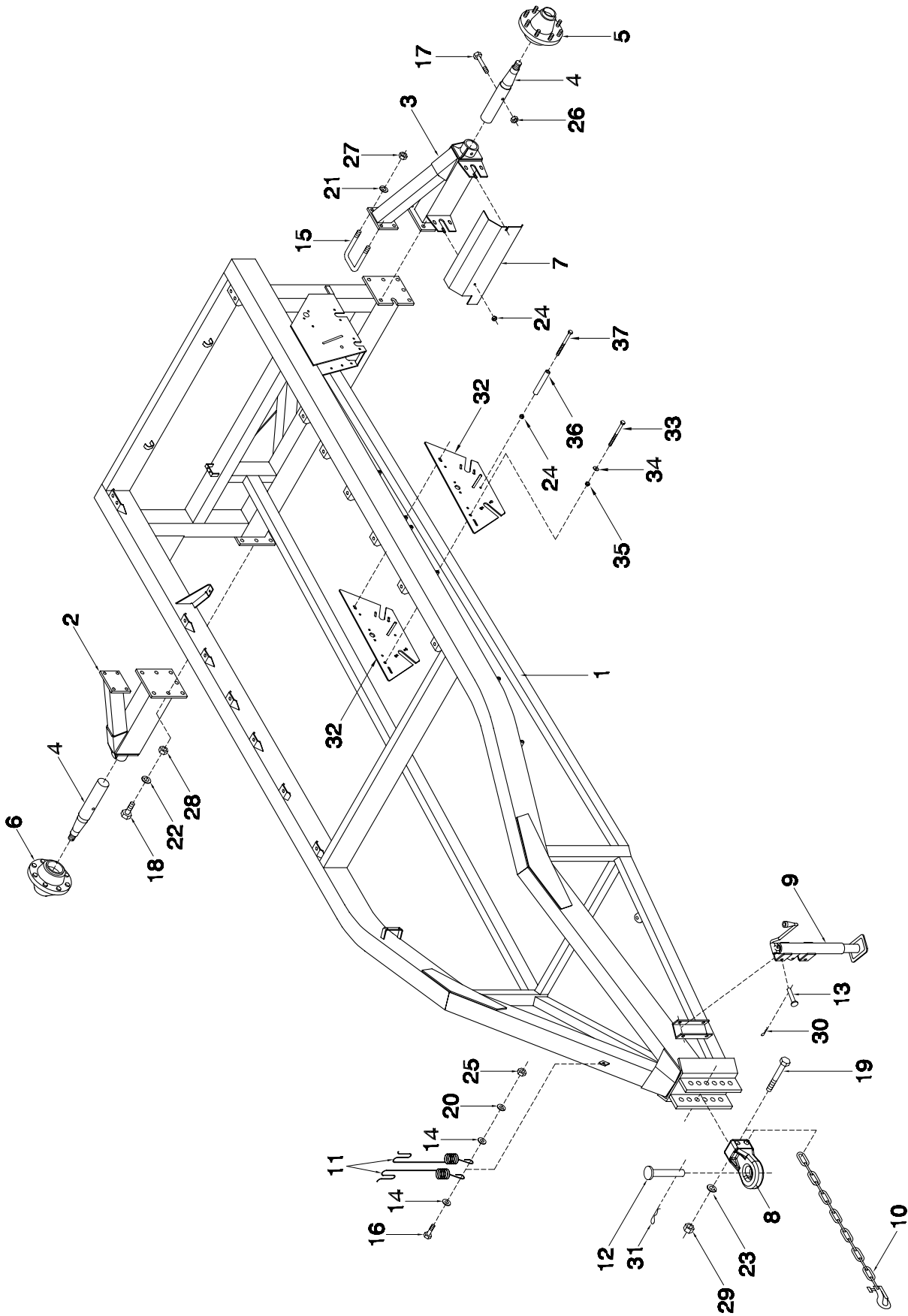
Hopper & Frame 9130 Tow Between Frame Assembly



Hopper & Frame - 9130 Tow Between Frame Assembly

Item	Part No.	Description	Qty
1	N28370MR	Frame - Tow Between (Three Point Hitch)	1
2	N27041MR	Axle Extension - Right	1
3	N27042MR	Axle Extension - Left	1
4	N24775	Spindle - 3 Dia	2
5		Drive Hub Assembly (See Section 3)	1
6		Non-Drive Hub Assembly (See Section 3)	1
7	N27070MR	Jackshaft Guard	1
8	N33748MR	Clevis - Cast	1
9	H27963	Hitch Jack - Top Wind - 7000 lb	1
10	C18761	Safety Chain - 3/8 P-7 AG (30 000 lb)	1
11	W-7MR	Hose Holder	2
12	N15049	Hitch Pin - 1 1/2 x 6 1/2 UL	1
13	H10462	Clevis Pin - 0.612 x 3 5/8 UL	2
14	C-333	Hose Holder Washer	2
15	C-219	U-Bolt - 5/8 x 4 x 5 9/16 UL	4
16	W-488	Hex Bolt - 1/2 x 2 Lg	1
17	S-951	Hex Bolt - 1/2 x 4 1/2 Lg	2
18	C-695	Hex Bolt - 3/4 x 2 Lg	13
19	D12903	Hex Bolt - 1 x 7 Lg	3
20	W-525	Lockwasher - 1/2	1
21	W-526	Lockwasher - 5/8	8
22	W-527	Lockwasher - 3/4	13
23	C-705	Lockwasher - 1	3
24	D-5279	Serrated Locknut - 3/8	2
25	W-516	Hex Nut - 1/2	1
26	F-3405	Unitorque Locknut - 1/2	2
27	W-517	Hex Nut - 5/8	8
28	W-518	Hex Nut - 3/4	13
29	W-520	Hex Nut - 1	3
30	W-131	Hairpin - #9 - 0.148 x 3 5/16	2
31	P1318510	Hairpin - #19- 0.243 x 4 3/8	1
	N19029	Decal - "Crank Rotation Arrow" (Not Shown)	1
	N24301	Decal - "Caution - Read Manual" (Not Shown)	1
	N24412	Decal - "Important - Torque Nuts" (Not Shown)	1
	N27864	Decal - "Slow Speed Hairpin Location" (Not Shown)	1
	C31394	Decal - Warning "Unhitching Hazard" (Not Shown)	1
	N34367	Decal - "Manufactured by Morris Industries Ltd."	1

Hopper & Frame 9230 Tow Between Frame Assembly



Hopper & Frame - 9230 Tow Between Frame Assembly

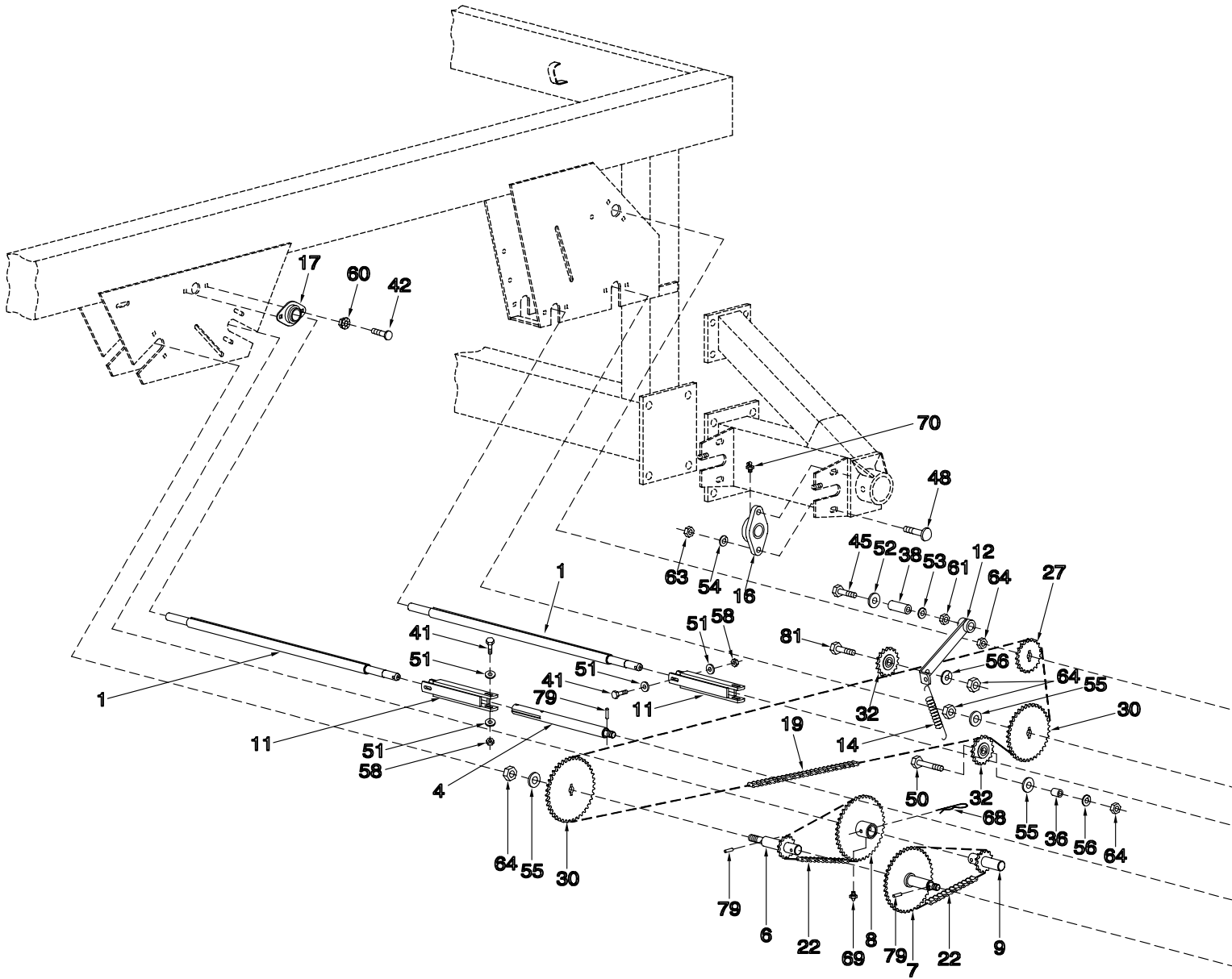
Item	Part No.	Description	Qty
1	N28375MR	Frame - Tow Between (Three Point Hitch)	1
2	N27041MR	Axle Extension - Right	1
3	N27042MR	Axle Extension - Left	1
4	N24775	Spindle - 3 Dia	2
5		Drive Hub Assembly (See Section 3)	1
6		Non-Drive Hub Assembly (See Section 3)	1
7	N27070MR	Jackshaft Guard	1
8	N33748MR	Clevis - Cast	1
9	H27963	Hitch Jack - Top Wind - 7000 lb	1
10	C18761	Safety Chain - 7/16 P-7 AG (30 000 lb)	1
11	W-7MR	Hose Holder	2
12	N15049	Hitch Pin - 1 1/2 x 6 1/2 UL	1
13	H10462	Clevis Pin - 0.612 x 3 5/8 UL	2
14	C-333	Hose Holder Washer	2
15	C-219	U-Bolt - 5/8 x 4 x 5 9/16 UL	4
16	W-488	Hex Bolt - 1/2 x 2 Lg	1
17	S-951	Hex Bolt - 1/2 x 4 1/2 Lg	2
18	C-695	Hex Bolt - 3/4 x 2 Lg	14
19	D12903	Hex Bolt - 1 x 7 Lg	3
20	W-525	Lockwasher - 1/2	1
21	W-526	Lockwasher - 5/8	8
22	W-527	Lockwasher - 3/4	14
23	C-705	Lockwasher - 1	3
24	D-5279	Serrated Locknut - 3/8	3
25	W-516	Hex Nut - 1/2	1
26	F-3405	Unitorque Locknut - 1/2	2
27	W-517	Hex Nut - 5/8	8
28	W-518	Hex Nut - 3/4	14
29	W-520	Hex Nut - 1	3
30	W-131	Hairpin - #9 - 0.148 x 3 5/16	2
31	P1318510	Hairpin - #19 - 1/4 x 4 3/8	1
32	N27021	Transmission Plate	2
33	W-496	Hex Bolt - 1/2 x 5 1/2 Lg	2
34	S-1925	Flatwasher - 0.531 ID x 1.062 OD x 13 Ga	2
35	D14565	Locknut - 1/2 - Serrated	2
36	N31535	Spacer - 5/8 OD x 0.385 ID x 4 Lg	1
37	C-3918	Hex Bolt - 3/8 x 5 Lg	1
	N19029	Decal - "Crank Rotation Arrow" (Not Shown)	1
	N24301	Decal - "Caution - Read Manual" (Not Shown)	1
	N24412	Decal - "Important - Torque Nuts" (Not Shown)	1
	N27864	Decal - "Slow Speed Hairpin Location" (Not Shown)	1
	C31394	Decal - Warning "Unhitching Hazard" (Not Shown)	1
	N34367	Decal - "Manufactured by Morris Industries Ltd."	1

Section 2: Metering

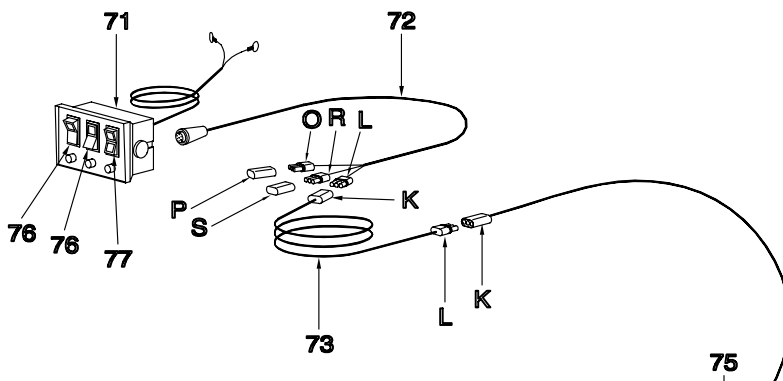
Section Contents

Metering Drive Assembly	2-2
Coated Metering Bodies	2-6
Optional Fertilizer Clutch Assembly	2-8
Remote Clutch Switch	2-10

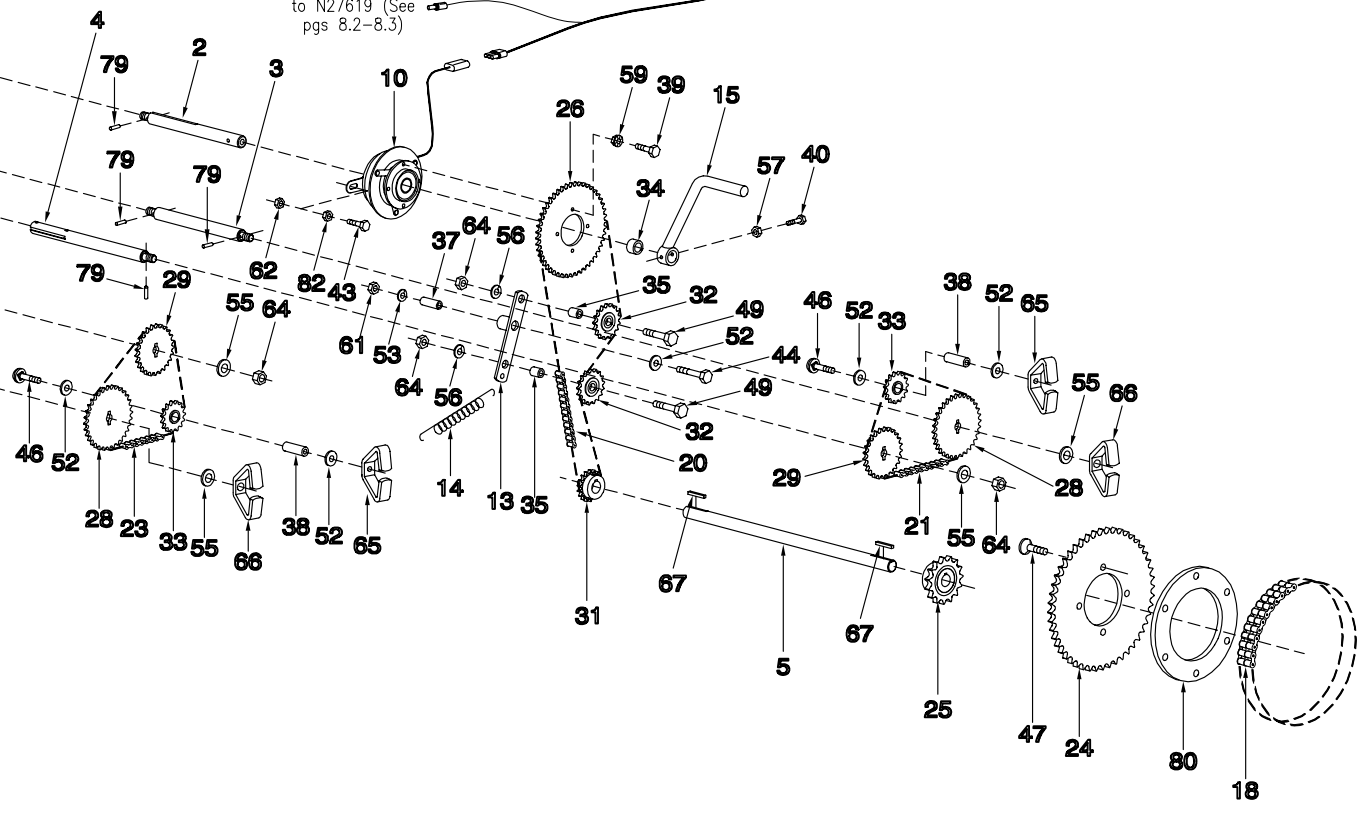
Metering Metering Drive Assembly



Metering Metering Drive Assembly



NOTE:
This end connects
to N27619 (See
pgs 8.2-8.3)



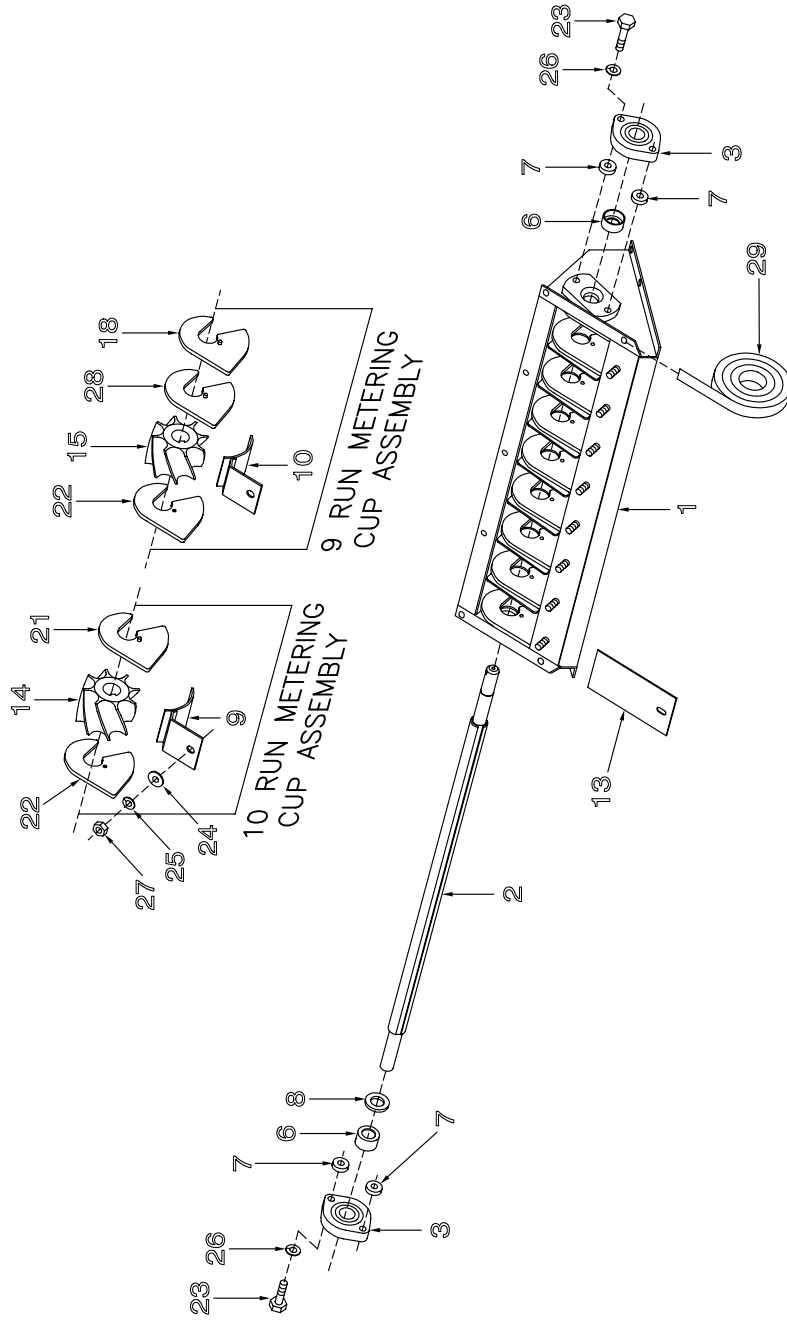
Metering - Metering Drive Assembly

Item	Part No.	Description	Qty
1	N19687	Metering Shaft - 8 Outlet	2
2	N27400	Shaft - Clutch - (P-Drive)	1
3	N27401	Shaft - Rate Change - (P-Drive)	1
4	N27402	Shaft - Meter End - (P-Drive)	2
5	N24782MR	Jackshaft - 23 3/4 Lg	1
6	N27403	Shaft - Slow Speed - 13T - (P-Drive)	1
7	N27404	Shaft - Slow Speed - 40T - (P-Drive)	1
8	N27406	Shaft - Reducer - 40T - (P-Drive)	1
9	N27405	Shaft - Reducer - 13T - (P-Drive)	1
10	N16862	Electric Clutch - 12 Volt	1
11	N21288MR	Coupler - Metering - 7 15/16 Lg	2
12	N19261MR	Arm - Idler	1
13	N19288MR	Arm - Idler	1
14	W-1663MR	Spring - 23/32 OD x 7 9/16 Lg	2
15	N27600	Crank - Calibration (Zinc Plated)	1
16	N19224	Bearing - 2 Bolt Flushmount	2
17	N27411	Flangette Bearing - 1" Bore - (SP)	12
18	N19220	Chain - #60 x 48 Link w/Connector - Double Strand	1
	N19221	Chain Connector - #60 - Double Strand	1
19	N27627	Chain - #40 x 307 Link w/Connector & Offset Link 9130	1
	N27629	Chain - #40 x 347 Link w/Connector & Offset Link 9230	1
20	N27626	Chain - #40 x 134 Link w/Connector 9130	1
	N27630	Chain - #40 x 115 Link w/Connector & Offset Link 9230	1
21	N16903	Chain - #40 x 70 Link w/Connector	1
22	N16113	Chain - #40 x 69 Link w/Connector & Offset Link	2
23	N19258	Chain - #40 x 64 Link w/Connector	1
24	N24774	Sprocket - 60A48 - 6 Dia Bore	1
25	N19223	Sprocket - 60B15	1
26	N27410	Sprocket - 40A48 (Clutch)	1
27		See NOTE "A"	
28		See NOTE "B"	
29	N27425	Sprocket - 40A25 - (P-Drive)	2
30	N27426	Sprocket - 40A26 - (P-Drive)	2
31	N19237	Sprocket - 40B18 - (Drive)	1
32	D17808	Idler Sprocket - 40A17 w/5/8 Bore	4
33	D-5234	Nylon Idler - 40B15	2
34	N19232	Spacer - 23/32 Lg	1
35	N19577	Bushing - 7/8 Lg	2
36	D-5011	Bushing - Spacer - 1 9/16 Lg	1
37	N16156	Spacer - 2 1/8 Lg	1
38	N19460	Bushing - 2 1/2 Lg	3
39	W-469	Hex Bolt - 1/4 x 3/4 Lg	4
40	W-1540	Hex Bolt - 1/4 x 2 Lg	1
41	N22777	Hex Bolt - 1/4 x 2 1/4 Lg - Gr8	4
42	D-5259	Carriage Bolt - 5/16 x 3/4 Lg	24
43	W-187	Hex Bolt - 3/8 x 1 1/4 Lg	1
44	W-1854	Hex Bolt - 3/8 x 3 Lg	1
45	D-5249	Hex Bolt - 3/8 x 3 1/4 Lg	1
46	N19283	Carriage Bolt - 3/8 x 3 1/2 Lg	2
47	N24780	Countersunk Machine Screw - 1/2-20 UNF x 1 3/4 Lg	4
48	H-4584	Carriage Bolt - 1/2 x 1 1/2 Lg	4
49	W-501	Hex Bolt - 5/8 x 2 1/2 Lg	2
50	W-503	Hex Bolt - 5/8 x 3 1/2 Lg	1
51	S-1198	Flatwasher - 1/4	8
52	N19706	Flatwasher - 3/8	6
53	W-523	Lockwasher - 3/8	2
54	W-525	Lockwasher - 1/2	4
55	W-793	Flatwasher - 5/8	7
56	W-526	Lockwasher - 5/8	4
57	N15757	Locknut - 1/4	1

Metering - Metering Drive Assembly

Item	Part No.	Description	Qty
58	N22778	Locknut - 1/4 w/Nylon Insert	4
59	D-5277	Serrated Locknut - 1/4	4
60	D-5278	Serrated Locknut - 5/16	24
61	W-514	Hex Nut - 3/8	2
62	M-3388	Unitorque Locknut - 3/8	1
63	W-516	Hex Nut - 1/2	4
64	W-517	Hex Nut - 5/8	9
65	N27350	Wing Nut - 3/8	2
66	N27370	Wing Nut - 5/8	2
67	S10730	Key - 1/4 x 1/4 x 1 1/4 Lg	2
68	P1318510	Hair Pin - 0.019 - 1/4 x 4 3/8 Lg	1
69	S-752	Grease Zerk - 1/4 Straight	2
70	F-3056	Grease Zerk - 1/4 x 90	2
71	SFN37006	Clutch Switch - Main	1
72	N27012	Clutch Wire - Extension - 8'	1
73	N32456	Clutch Wire - Extension - 16' (Weather Pak)	1
74		1
75	N32466	Clutch Wire(Weather Pak) 9130	1
	N32467	Clutch Wire(Weather Pak) 9230	1
76	N29382	Clutch Rocker Switch - 2 Way - #83301	1
77	N29383	Granular Rocker Switch - 3 Way - #200301	2
78		1
79	N27395	Drive Pin - 3/16 x 1 Lg	7
80	N24779	Spacer Ring - Drive Sprocket (Three Point Hitch)	1
81	W-498	Hex Bolt - 5/8 x 1 3/4 Lg	7
82	S-748	Jam Nut - 3/8	1
		 K N28901 Weather Pak Conn - BLUE - 3 Pin Plug	
		L N28902 Weather Pak Conn - BLUE- 3 Pin Socket	
		O N28904 Weather Pak Conn - RED - 3 Pin Socket	
		P N29144 Seal Conn - RED - 3 Pin	
		R N28906 Weather Pak Conn - WHITE - 3 Pin Socket	
		S N28145 Seal Conn - WHITE - 3 Pin	
		See Pg. 8.3 for a complete list of Replacement Connectors	
		 NOTE "A": Drill Opener Spacing Sprockets	
		7 1/2" Spacing Use N27412	
		10" Spacing Use N27417	
		 NOTE "B": Metering Rate Change Sprockets	
		N27412 40A12. N27425 40A25	
		N27413 40A13. N27426 40A26	
		N27414 40A14. N27427 40A27	
		N27415 40A15. N27428 40A28	
		N27416 40A16. N27429 40A29	
		N27417 40A17. N27431 40A31	
		N27418 40A18. N27432 40A32	
		N27419 40A19. N27435 40A35	
		N27420 40A20. N27438 40A38	
		N27421 40A21. N27440 40A40	
		N27422 40A22. N27444 40A44	
		N27423 40A23. N27445 40A45	
		N27424 40A24	
		 NOTE "C": Optional Rate Change Sprockets Offered Through Parts Dept Only	
		N27430 . . . 40A30 N27437 . . . 40A37	
		N27433 . . . 40A33 N27439 . . . 40A39	
		N27434 . . . 40A34 N27441 . . . 40A41	
		N27436 . . . 40A36 N27442 . . . 40A42	
		N27443. . . .40A43	

Metering Coated Metering Bodies



CULTIVATORS/PACKERS

PARTS CATALOG

SUNFLOWER®

7212 / 7232 / 7252 SOIL CONDITIONER

**II
INDEX**

7212/7232/7252 SOIL CONDITIONER

RECOMMENDED DEALER LIST

RECOMMENDED DEALER STOCK 119

SERVICE PARTS

(3 1/2" X 10" CYLINDER 9395R VERSION 1, PRIOR TO 11/03/03) 83
 CENTER FRAME & TONGUE (3-SECTION 32'-35' NC, 5-SECTION 32'-37') 17
 CENTER FRAME & TONGUE ASSEMBLY (3-SECTION 18'-25') 13
 CENTER FRAME & TONGUE ASSEMBLY (3-SECTION 28'-30') 15
 CENTER FRAME & TONGUE ASSEMBLY (3-SECTION 32'-37') 19
 CENTER FRAME & TONGUE ASSEMBLY (5-SECTION 40'-56') 21
 DECAL PLACEMENT (ALL 5-SECTION MACHINES) 111
 DECAL PLACEMENT (RIGID MACHINE) 103
 DECAL PLACEMENT (3-SECTION MACHINE) 107
 FRAME & TONGUE ASSEMBLY (RIGID MACHINES) 9
 HYDRAULICS (RIGID MACHINE) 53
 HYDRAULICS (3-SECTION 18'-30') 55
 HYDRAULICS (3-SECTION 32'-35' NC & 61
 HYDRAULICS (3-SECTION 32'-35' NC & 32'-37' CENTER) 59
 HYDRAULICS (3-SECTION 32'-35' NC & 32'-37' LEFT WING) 63
 HYDRAULICS (3-SECTION 32'-35' NC & 32'-37' RIGHT WING) 65
 HYDRAULICS (5-SECTION CENTER) 67
 HYDRAULICS (5-SECTION 32'-45' LEFT WING) 73
 HYDRAULICS (5-SECTION 32'-45' RIGHT WING) 71
 HYDRAULICS (5-SECTION 45'W-50' LEFT WING) 77
 HYDRAULICS (5-SECTION 45'W-50' RIGHT WING) 75
 HYDRAULICS (5-SECTION 52'-56' LEFT WING) 81
 HYDRAULICS (5-SECTION 52'-56' RIGHT WING) 79
 LEVELER ASSEMBLY 33
 LIFT ASSEMBLY (RIGID MACHINE) 23
 LIFT ASSEMBLY (3-SECTION 18'-25') 25
 LIFT ASSEMBLY (3-SECTION 28'-30') 27
 LIFT ASSEMBLY (3-SECTION 32'-35' NC & 5-SECTION 32'-37') 29
 LIFT ASSEMBLY (3-SECTION 32'-37' & 5-SECTION 40'-56') 31
 LIGHT KIT ASSEMBLY 47
 REAR STAND 7
 SAFETY SIGN PLACEMENT (3-SECTION MACHINE) 109
 SAFETY SIGN PLACEMENT (RIGID MACHINE) 105
 SAFETY SIGN PLACEMENT (32'-37' FIVE SECTION) 113
 SAFETY SIGN PLACEMENT (40'-50' FIVE SECTION) 115
 SAFETY SIGN PLACEMENT (52'-56' FIVE SECTION) 117
 SIX BOLT HUB & SPINDLE ASSEMBLY W/WHEEL & TIRES 35
 SLIDING EXTENSIONS (RIGID MACHINES) 11
 SOIL CONDITIONER REEL ASSEMBLY 49
 TRUNNION BEARING ASSEMBLY 51
 WING ASSEMBLY (3-SECTION 18'-30') 37
 WING ASSEMBLY (3-SECTION 32'-37' & 32'-35' NC) 39
 WING ASSEMBLY (5-SECTION 32'-45') 41
 WING ASSEMBLY (5-SECTION 45'W-50') 43
 WING ASSEMBLY (5-SECTION 52'-56') 45
 3 1/2" X 10" CYLINDER 12004R (VERSION 2, 11/03/03 & LATER) 85
 3 1/2" X 24" HYDRAULIC CYLINDER 12020R (VERSION 2) 93
 3 1/2" X 24" HYDRAULIC CYLINDER 7841R (VERSION 1) 91
 4" X 10" HYDRAULIC CYLINDER 12026R (VERSION 2, 10/22/03 & LATER) 89
 4" X 10" HYDRAULIC CYLINDER 6635R (VERSION 1, PRIOR TO 10/22/03) 87
 4" X 24" HYDRAULIC CYLINDER 10813R (VERSION 2, 4/17/03 & LATER) 97
 4" X 24" HYDRAULIC CYLINDER 4405R (VERSION 1, PRIOR TO 4/17/03) 95
 4" X 30" HYDRAULIC CYLINDER 10812R (VERSION 2, 4/17/03 & LATER) 101
 4" X 30" HYDRAULIC CYLINDER 4403R (VERSION 1, PRIOR TO 4/17/03) 99

7212/7232/7252 SOIL CONDITIONER

III
INDEX

Part No.	Page	Grid	Part No.	Page	Grid	Part No.	Page	Grid	Part No.	Page	Grid
SNB30001	17	1-B 7	SN1040	15	1-B 7	SN1300	9	1-B 6	SN245	81	1-B 14
SNB30001	19	1-B 7	SN1040	17	1-B 7	SN1300	13	1-B 7	SN2561	9	1-B 6
SNB30001	21	1-B 8	SN1040	19	1-B 7	SN1300	15	1-B 7	SN2561	13	1-B 7
SNFK150295	9	1-B 6	SN1040	21	1-B 8	SN1300	17	1-B 7	SN2561	15	1-B 7
SNFK150295	13	1-B 7	SN1040	23	1-B 8	SN1300	19	1-B 7	SN2561	17	1-B 7
SNFK150295	15	1-B 7	SN1040	25	1-B 8	SN1300	21	1-B 8	SN2561	19	1-B 7
SNFK150295	17	1-B 7	SN1040	27	1-B 8	SN1308	49	1-B 10	SN2561	21	1-B 8
SNFK150295	19	1-B 7	SN1040	29	1-B 8	SN1456	33	1-B 9	SN2566	9	1-B 6
SNFK150295	21	1-B 8	SN1040	31	1-B 9	SN1456	49	1-B 10	SN2566	13	1-B 7
SNYYB-909	9	1-B 6	SN1040	49	1-B 10	SN1484	17	1-B 7	SN2566	15	1-B 7
SNYYB-909	13	1-B 7	SN10413R	43	1-B 10	SN1484	19	1-B 7	SN2566	17	1-B 7
SNYYB-909	15	1-B 7	SN10414R	43	1-B 10	SN1484	21	1-B 8	SN2566	19	1-B 7
SNYYB-909	17	1-B 7	SN10486	45	1-B 10	SN1605	35	1-B 9	SN2566	21	1-B 8
SNYYB-909	19	1-B 7	SN106	9	1-B 6	SN1605	119	1-B 17	SN2568	9	1-B 6
SNYYB-909	21	1-B 8	SN106	13	1-B 7	SN1606	35	1-B 9	SN2568	13	1-B 7
SN10007	45	1-B 10	SN106	15	1-B 7	SN1606	119	1-B 17	SN2568	15	1-B 7
SN10024	49	1-B 10	SN106	17	1-B 7	SN1610	35	1-B 9	SN2568	17	1-B 7
SN10025	49	1-B 10	SN106	19	1-B 7	SN1610	119	1-B 17	SN2568	19	1-B 7
SN10026	49	1-B 10	SN106	21	1-B 8	SN1672	11	1-B 7	SN2568	21	1-B 8
SN10027	49	1-B 10	SN106	23	1-B 8	SN1672	37	1-B 9	SN2585	35	1-B 9
SN10028	49	1-B 10	SN106	25	1-B 8	SN1672	39	1-B 9	SN2587	47	1-B 10
SN10029	45	1-B 10	SN106	27	1-B 8	SN1672	41	1-B 10	SN2614	37	1-B 9
SN10331R	9	1-B 6	SN106	29	1-B 8	SN1672	43	1-B 10	SN2614	39	1-B 9
SN10334	9	1-B 6	SN106	31	1-B 9	SN1672	45	1-B 10	SN2614	41	1-B 10
SN10334	13	1-B 7	SN106	49	1-B 10	SN175	53	1-B 11	SN2614	43	1-B 10
SN10334	15	1-B 7	SN108	49	1-B 10	SN175	57	1-B 11	SN2614	119	1-B 17
SN10334	17	1-B 7	SN10812	63	1-B 12	SN175	61	1-B 12	SN2646	9	1-B 6
SN10334	19	1-B 7	SN10812	65	1-B 12	SN175	69	1-B 12	SN2646	13	1-B 7
SN10334	21	1-B 8	SN10813	75	1-B 13	SN1753	33	1-B 9	SN2646	15	1-B 7
SN10337	9	1-B 6	SN10813	77	1-B 13	SN176	53	1-B 11	SN2646	17	1-B 7
SN10337	13	1-B 7	SN10813	79	1-B 13	SN176	57	1-B 11	SN2646	19	1-B 7
SN10337	15	1-B 7	SN110	33	1-B 9	SN176	61	1-B 12	SN2646	21	1-B 8
SN10338	9	1-B 6	SN112	37	1-B 9	SN176	69	1-B 12	SN2750	11	1-B 7
SN10338	13	1-B 7	SN112	39	1-B 9	SN176	75	1-B 13	SN2750	37	1-B 9
SN10338	15	1-B 7	SN112	41	1-B 10	SN176	77	1-B 13	SN2750	39	1-B 9
SN10338	17	1-B 7	SN112	43	1-B 10	SN1791	9	1-B 6	SN2750	41	1-B 10
SN10338	19	1-B 7	SN112	45	1-B 10	SN1791	13	1-B 7	SN2750	43	1-B 10
SN10338	21	1-B 8	SN1122	49	1-B 10	SN1791	15	1-B 7	SN2750	45	1-B 10
SN10339R	9	1-B 6	SN12004R	53	1-B 11	SN1791	49	1-B 10	SN2755	33	1-B 9
SN10339R	13	1-B 7	SN12015	93	1-B 15	SN1875	33	1-B 9	SN2755	49	1-B 10
SN10339R	15	1-B 7	SN12015	119	1-B 17	SN1880	33	1-B 9	SN2755	119	1-B 17
SN10340	17	1-B 7	SN12016	93	1-B 15	SN1935	35	1-B 9	SN2761	49	1-B 10
SN10340	19	1-B 7	SN12017	93	1-B 15	SN1935	119	1-B 17	SN2867	7	1-B 6
SN10340	21	1-B 8	SN12018	93	1-B 15	SN1936	35	1-B 9	SN2984	11	1-B 7
SN10341R	33	1-B 9	SN12019	93	1-B 15	SN1936	119	1-B 17	SN2984	37	1-B 9
SN10342R	33	1-B 9	SN12020	57	1-B 11	SN1937	35	1-B 9	SN2984	39	1-B 9
SN10343R	33	1-B 9	SN12020	71	1-B 13	SN2045	41	1-B 10	SN2984	41	1-B 10
SN10344	17	1-B 7	SN12020	73	1-B 13	SN2045	43	1-B 10	SN2984	43	1-B 10
SN10344	19	1-B 7	SN12020	75	1-B 13	SN2088	33	1-B 9	SN2984	119	1-B 17
SN10345	21	1-B 8	SN12020	77	1-B 13	SN2094	7	1-B 6	SN302	35	1-B 9
SN10346	49	1-B 10	SN12020	79	1-B 13	SN2096	37	1-B 9	SN303	35	1-B 9
SN10347	49	1-B 10	SN12020	81	1-B 14	SN2098-1	33	1-B 9	SN3052	9	1-B 6
SN10348	49	1-B 10	SN12025	89	1-B 14	SN2098-6	35	1-B 9	SN3052	13	1-B 7
SN10349	49	1-B 10	SN12026	57	1-B 11	SN2339	57	1-B 11	SN3052	15	1-B 7
SN10350	49	1-B 10	SN12026	59	1-B 11	SN2339	61	1-B 12	SN3052	17	1-B 7
SN10353	11	1-B 7	SN12026	67	1-B 12	SN2339	69	1-B 12	SN3052	19	1-B 7
SN10353	37	1-B 9	SN1220	23	1-B 8	SN2378-2	9	1-B 6	SN3052	21	1-B 8
SN10353	39	1-B 9	SN1220	25	1-B 8	SN2378-2	13	1-B 7	SN3052	37	1-B 9
SN10353	41	1-B 10	SN1220	27	1-B 8	SN2378-2	15	1-B 7	SN3052	39	1-B 9
SN10353	43	1-B 10	SN1220	29	1-B 8	SN2378-2	17	1-B 7	SN3052	41	1-B 10
SN10353	45	1-B 10	SN1220	31	1-B 9	SN2378-2	19	1-B 7	SN3052	43	1-B 10
SN10362	9	1-B 6	SN12268	55	1-B 11	SN2378-2	21	1-B 8	SN3052	45	1-B 10
SN10362	13	1-B 7	SN12268	61	1-B 12	SN2389	53	1-B 11	SN3052	119	1-B 17
SN10362	15	1-B 7	SN12268	69	1-B 12	SN2425	53	1-B 11	SN3066	35	1-B 9
SN10362	17	1-B 7	SN12587R	45	1-B 10	SN2425	57	1-B 11	SN3090	49	1-B 10
SN10362	19	1-B 7	SN12588R	45	1-B 10	SN2425	61	1-B 12	SN3091	51	1-B 11
SN10362	21	1-B 8	SN12589R	45	1-B 10	SN2425	69	1-B 12	SN3094	51	1-B 11
SN10363	33	1-B 9	SN12590R	45	1-B 10	SN245	55	1-B 11	SN3095	49	1-B 10
SN10364	33	1-B 9	SN12604R	45	1-B 10	SN245	63	1-B 12	SN3096	49	1-B 10
SN10365	33	1-B 9	SN12605R	45	1-B 10	SN245	65	1-B 12	SN3117	35	1-B 9
SN10366R	33	1-B 9	SN12606R	45	1-B 10	SN245	71	1-B 13	SN3117	119	1-B 17
SN10367R	33	1-B 9	SN12607R	45	1-B 10	SN245	73	1-B 13	SN3118	35	1-B 9
SN10368	33	1-B 9	SN12608R	21	1-B 8	SN245	75	1-B 13	SN3118	119	1-B 17
SN1040	9	1-B 6	SN1282	33	1-B 9	SN245	77	1-B 13	SN3164	33	1-B 9
SN1040	13	1-B 7	SN1283	33	1-B 9	SN245	79	1-B 13	SN3164	45	1-B 10

**IV
INDEX**

7212/7232/7252 SOIL CONDITIONER

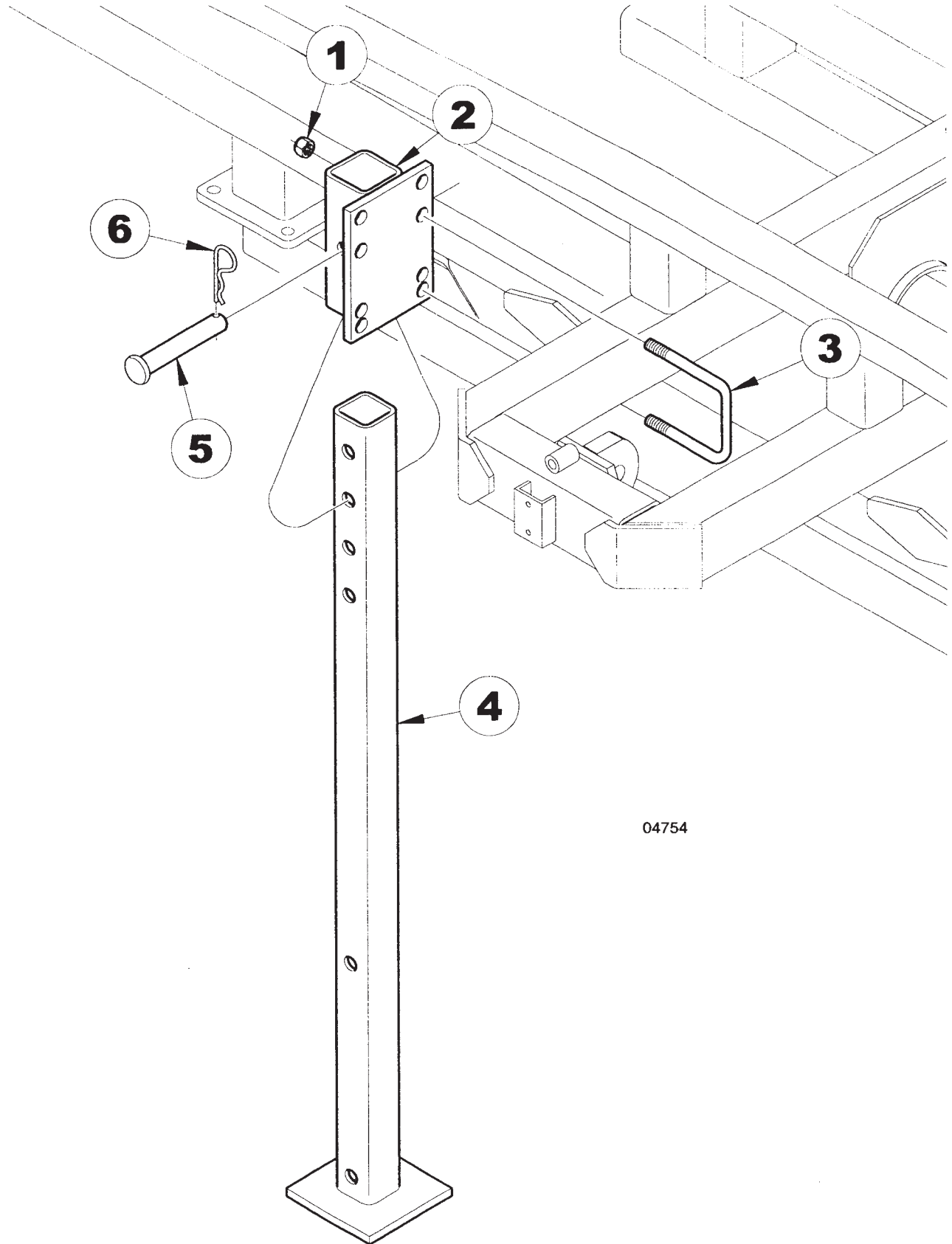
Part No.	Page	Grid	Part No.	Page	Grid	Part No.	Page	Grid	Part No.	Page	Grid
SN3164	53	1-B 11	SN4030002	57	1-B 11	SN4454	73	1-B 13	SN5251	77	1-B 13
SN3164	55	1-B 11	SN4030002	67	1-B 12	SN4454	75	1-B 13	SN5251	79	1-B 13
SN3164	59	1-B 11	SN4030002	71	1-B 13	SN4454	77	1-B 13	SN5251	81	1-B 14
SN3164	63	1-B 12	SN4031002	59	1-B 11	SN4455	55	1-B 11	SN5252	79	1-B 13
SN3164	65	1-B 12	SN4031002	63	1-B 12	SN4455	61	1-B 12	SN5252	81	1-B 14
SN3164	67	1-B 12	SN4036002	55	1-B 11	SN4455	63	1-B 12	SN5302	53	1-B 11
SN3164	71	1-B 13	SN4036002	61	1-B 12	SN4455	65	1-B 12	SN5302	57	1-B 11
SN3164	73	1-B 13	SN4036002	69	1-B 12	SN4455	69	1-B 12	SN5302	61	1-B 12
SN3164	75	1-B 13	SN4039002	57	1-B 11	SN4458	83	1-B 14	SN5302	69	1-B 12
SN3164	77	1-B 13	SN4039002	67	1-B 12	SN4458	85	1-B 14	SN5302	75	1-B 13
SN3164	79	1-B 13	SN4039002	73	1-B 13	SN4458	87	1-B 14	SN5302	77	1-B 13
SN3164	81	1-B 14	SN4040002	55	1-B 11	SN4458	89	1-B 14	SN5339	53	1-B 11
SN3253	53	1-B 11	SN4040002	59	1-B 11	SN4458	91	1-B 15	SN5339	55	1-B 11
SN3253	57	1-B 11	SN4040002	65	1-B 12	SN4458	93	1-B 15	SN5339	59	1-B 11
SN3253	61	1-B 12	SN4045002	59	1-B 11	SN4458	95	1-B 15	SN5339	67	1-B 12
SN3253	69	1-B 12	SN4045002	63	1-B 12	SN4458	97	1-B 15	SN5339	71	1-B 13
SN3298	35	1-B 9	SN4045002	67	1-B 12	SN4458	99	1-B 15	SN5339	73	1-B 13
SN3300	35	1-B 9	SN4045002	71	1-B 13	SN4458	101	1-B 16	SN5339	75	1-B 13
SN3300	119	1-B 17	SN4045002	75	1-B 13	SN4463	79	1-B 13	SN5339	77	1-B 13
SN3301	35	1-B 9	SN4045002	79	1-B 13	SN4463	81	1-B 14	SN5339	79	1-B 13
SN3301	119	1-B 17	SN4054002	55	1-B 11	SN4465	71	1-B 13	SN5527	49	1-B 10
SN3302	35	1-B 9	SN4054002	67	1-B 12	SN4465	73	1-B 13	SN5527	119	1-B 17
SN3302	119	1-B 17	SN4054002	73	1-B 13	SN4465	75	1-B 13	SN5528	49	1-B 10
SN3303	35	1-B 9	SN4054002	77	1-B 13	SN4465	77	1-B 13	SN5545	49	1-B 10
SN3303	119	1-B 17	SN4054002	81	1-B 14	SN4465	79	1-B 13	SN5546	49	1-B 10
SN3306	7	1-B 6	SN4055002	55	1-B 11	SN4465	81	1-B 14	SN5547	49	1-B 10
SN3306	49	1-B 10	SN4055002	59	1-B 11	SN4472	71	1-B 13	SN5844	47	1-B 10
SN3306	119	1-B 17	SN4055002	65	1-B 12	SN4472	73	1-B 13	SN5844	119	1-B 17
SN3353	7	1-B 6	SN4055002	69	1-B 12	SN4472	75	1-B 13	SN5845	47	1-B 10
SN3567	53	1-B 11	SN4055002	71	1-B 13	SN4472	77	1-B 13	SN5845	119	1-B 17
SN3567	57	1-B 11	SN4067002	55	1-B 11	SN4473	71	1-B 13	SN5848	47	1-B 10
SN3567	61	1-B 12	SN4067002	59	1-B 11	SN4473	73	1-B 13	SN5848	119	1-B 17
SN3567	69	1-B 12	SN4067002	63	1-B 12	SN4473	75	1-B 13	SN5849	47	1-B 10
SN3577	35	1-B 9	SN4067002	67	1-B 12	SN4473	77	1-B 13	SN5849	119	1-B 17
SN3578	35	1-B 9	SN4067002	73	1-B 13	SN4473	79	1-B 13	SN5857	47	1-B 10
SN3579	35	1-B 9	SN4070002	59	1-B 11	SN4473	81	1-B 14	SN5937	13	1-B 7
SN3750	9	1-B 6	SN4070002	65	1-B 12	SN4482	57	1-B 11	SN5937	15	1-B 7
SN3750	13	1-B 7	SN4070002	69	1-B 12	SN4482	61	1-B 12	SN5937	17	1-B 7
SN3750	15	1-B 7	SN4070002	71	1-B 13	SN4482	69	1-B 12	SN5937	19	1-B 7
SN3750	17	1-B 7	SN4070002	75	1-B 13	SN4737	9	1-B 6	SN5937	21	1-B 8
SN3750	19	1-B 7	SN4070002	79	1-B 13	SN4737	13	1-B 7	SN6101	45	1-B 10
SN3750	21	1-B 8	SN4082002	67	1-B 12	SN4737	15	1-B 7	SN6150	23	1-B 8
SN3765	9	1-B 6	SN4082002	71	1-B 13	SN4737	17	1-B 7	SN6150	25	1-B 8
SN3765	13	1-B 7	SN4082002	73	1-B 13	SN4737	19	1-B 7	SN6150	27	1-B 8
SN3765	15	1-B 7	SN4082002	77	1-B 13	SN4737	21	1-B 8	SN6150	29	1-B 8
SN3765	17	1-B 7	SN4082002	81	1-B 14	SN4753	9	1-B 6	SN6150	31	1-B 9
SN3765	19	1-B 7	SN4097002	71	1-B 13	SN4753	13	1-B 7	SN6167	23	1-B 8
SN3765	21	1-B 8	SN4120002	75	1-B 13	SN4753	15	1-B 7	SN6167	25	1-B 8
SN3807	9	1-B 6	SN4120002	77	1-B 13	SN4753	17	1-B 7	SN6167	27	1-B 8
SN3807	13	1-B 7	SN4122002	79	1-B 13	SN4753	19	1-B 7	SN6167	29	1-B 8
SN3807	15	1-B 7	SN4122002	81	1-B 14	SN4753	21	1-B 8	SN6167	31	1-B 9
SN3807	17	1-B 7	SN4240002	53	1-B 11	SN4893	9	1-B 6	SN6272	17	1-B 7
SN3807	19	1-B 7	SN4250002	53	1-B 11	SN4893	13	1-B 7	SN6272	19	1-B 7
SN3807	21	1-B 8	SN4252002	57	1-B 11	SN4893	15	1-B 7	SN6272	21	1-B 8
SN3881	11	1-B 7	SN4285002	57	1-B 11	SN4893	17	1-B 7	SN6272	119	1-B 17
SN3881	37	1-B 9	SN4285002	61	1-B 12	SN4893	19	1-B 7	SN6301R	23	1-B 8
SN3881	39	1-B 9	SN4285002	69	1-B 12	SN4893	21	1-B 8	SN6301R	25	1-B 8
SN3881	41	1-B 10	SN4403R	63	1-B 12	SN4893	119	1-B 17	SN6301R	27	1-B 8
SN3881	43	1-B 10	SN4403R	65	1-B 12	SN4924	51	1-B 11	SN6301R	29	1-B 8
SN3881	45	1-B 10	SN4405R	75	1-B 13	SN506	9	1-B 6	SN6301R	31	1-B 9
SN3984	53	1-B 11	SN4405R	77	1-B 13	SN506	13	1-B 7	SN6380	79	1-B 13
SN3984	57	1-B 11	SN4410002	69	1-B 12	SN506	15	1-B 7	SN6380	81	1-B 14
SN3984	61	1-B 12	SN4451	71	1-B 13	SN506	17	1-B 7	SN6425	23	1-B 8
SN3984	69	1-B 12	SN4451	73	1-B 13	SN506	19	1-B 7	SN6425	25	1-B 8
SN3984	75	1-B 13	SN4451	75	1-B 13	SN506	21	1-B 8	SN6425	27	1-B 8
SN3984	77	1-B 13	SN4451	77	1-B 13	SN5094	35	1-B 9	SN6425	29	1-B 8
SN4016002	79	1-B 13	SN4451	79	1-B 13	SN5151	35	1-B 9	SN6425	31	1-B 9
SN4016002	81	1-B 14	SN4451	81	1-B 14	SN5152	35	1-B 9	SN6529	79	1-B 13
SN4018002	55	1-B 11	SN4454	53	1-B 11	SN5201	53	1-B 11	SN6529	81	1-B 14
SN4022002	55	1-B 11	SN4454	55	1-B 11	SN5251	55	1-B 11	SN6575	9	1-B 6
SN4022002	59	1-B 11	SN4454	61	1-B 12	SN5251	63	1-B 12	SN6575	13	1-B 7
SN4022002	61	1-B 12	SN4454	63	1-B 12	SN5251	65	1-B 12	SN6575	15	1-B 7
SN4022002	65	1-B 12	SN4454	65	1-B 12	SN5251	71	1-B 13	SN6575	17	1-B 7
SN4022002	69	1-B 12	SN4454	69	1-B 12	SN5251	73	1-B 13	SN6575	19	1-B 7
SN4030002	55	1-B 11	SN4454	71	1-B 13	SN5251	75	1-B 13	SN6575	21	1-B 8

7212/7232/7252 SOIL CONDITIONER

V
INDEX

Part No.	Page	Grid	Part No.	Page	Grid	Part No.	Page	Grid	Part No.	Page	Grid
SN6635	57	1-B 11	SN8612-1	101	1-B 16	SN8835-1	97	1-B 15	SN9451	41	1-B 10
SN6635	59	1-B 11	SN8612-1	119	1-B 17	SN8837-1	99	1-B 15	SN9451	43	1-B 10
SN6635	67	1-B 12	SN8615-1	95	1-B 15	SN8837-1	101	1-B 16	SN9453	49	1-B 10
SN668	49	1-B 10	SN8615-1	99	1-B 15	SN8842-1	91	1-B 15	SN9467	9	1-B 6
SN669	49	1-B 10	SN8616-1	91	1-B 15	SN8845-1	83	1-B 14	SN9467	13	1-B 7
SN669-1	7	1-B 6	SN8616-1	93	1-B 15	SN8849-1	87	1-B 14	SN9467	15	1-B 7
SN669-1	9	1-B 6	SN8616-1	97	1-B 15	SN8855-1	95	1-B 15	SN9467	17	1-B 7
SN669-1	11	1-B 7	SN8616-1	101	1-B 16	SN8858-1	99	1-B 15	SN9467	19	1-B 7
SN669-1	13	1-B 7	SN8617-1	87	1-B 14	SN8863-1	83	1-B 14	SN9467	21	1-B 8
SN669-1	15	1-B 7	SN8617-1	89	1-B 14	SN8863-1	85	1-B 14	SN9482	41	1-B 10
SN669-1	17	1-B 7	SN8631-1	83	1-B 14	SN8863-1	91	1-B 15	SN9482	43	1-B 10
SN669-1	19	1-B 7	SN8631-1	85	1-B 14	SN8863-1	93	1-B 15	SN9482	45	1-B 10
SN669-1	21	1-B 8	SN8631-1	87	1-B 14	SN8864-1	87	1-B 14	SN9483	41	1-B 10
SN669-1	37	1-B 9	SN8631-1	89	1-B 14	SN8864-1	89	1-B 14	SN9483	43	1-B 10
SN669-1	39	1-B 9	SN8631-1	91	1-B 15	SN8864-1	95	1-B 15	SN9484	41	1-B 10
SN669-1	41	1-B 10	SN8631-1	93	1-B 15	SN8864-1	97	1-B 15	SN9484	43	1-B 10
SN669-1	43	1-B 10	SN8631-1	95	1-B 15	SN8864-1	99	1-B 15	SN9491	17	1-B 7
SN669-1	45	1-B 10	SN8631-1	97	1-B 15	SN8864-1	101	1-B 16	SN9492R	21	1-B 8
SN669-1	49	1-B 10	SN8631-1	99	1-B 15	SN8886-1	87	1-B 14	SN9494	19	1-B 7
SN670	37	1-B 9	SN8631-1	101	1-B 16	SN8902-1	83	1-B 14	SN9494	21	1-B 8
SN670	41	1-B 10	SN8654-1	89	1-B 14	SN8915-1	91	1-B 15	SN9495	41	1-B 10
SN670	43	1-B 10	SN8657-10	85	1-B 14	SN8923-1	101	1-B 16	SN9496	41	1-B 10
SN6876	33	1-B 9	SN8658-1	85	1-B 14	SN8924-1	95	1-B 15	SN9497	41	1-B 10
SN6923	9	1-B 6	SN8670-10	89	1-B 14	SN8926-1	97	1-B 15	SN9498	41	1-B 10
SN6923	13	1-B 7	SN8670-10	97	1-B 15	SN8927-10	85	1-B 14	SN9534	17	1-B 7
SN6923	15	1-B 7	SN8670-10	101	1-B 16	SN8927-10	93	1-B 15	SN9534	19	1-B 7
SN6923	17	1-B 7	SN8671-1	83	1-B 14	SN8928-1	85	1-B 14	SN9534	21	1-B 8
SN6923	19	1-B 7	SN8671-1	85	1-B 14	SN8934-1	99	1-B 15	SN9560	39	1-B 9
SN6923	21	1-B 8	SN8671-1	87	1-B 14	SN8949-1	85	1-B 14	SN9565R	39	1-B 9
SN7001	9	1-B 6	SN8671-1	89	1-B 14	SN8949-1	119	1-B 17	SN9566	39	1-B 9
SN7001	13	1-B 7	SN8671-1	91	1-B 15	SN8949-1	119	1-B 17	SN9567R	19	1-B 7
SN7001	15	1-B 7	SN8671-1	93	1-B 15	SN8950-1	85	1-B 14	SN9568R	17	1-B 7
SN7001	17	1-B 7	SN8671-1	95	1-B 15	SN8955-1	91	1-B 15	SN9569	37	1-B 9
SN7001	19	1-B 7	SN8671-1	97	1-B 15	SN8978-1	85	1-B 14	SN9569	39	1-B 9
SN7001	21	1-B 8	SN8671-1	99	1-B 15	SN8978-1	93	1-B 15	SN9569	41	1-B 10
SN7001	119	1-B 17	SN8671-1	101	1-B 16	SN8982-1	83	1-B 14	SN9569	43	1-B 10
SN71L-2901	39	1-B 9	SN8682-1	89	1-B 14	SN916	9	1-B 6	SN9569	45	1-B 10
SN71L-2901	41	1-B 10	SN8682-1	97	1-B 15	SN916	13	1-B 7	SN9570	37	1-B 9
SN71L-2901	43	1-B 10	SN8682-1	101	1-B 16	SN916	15	1-B 7	SN9570	39	1-B 9
SN71L-2901	45	1-B 10	SN8683-1	85	1-B 14	SN916	17	1-B 7	SN9570	41	1-B 10
SN7744	39	1-B 9	SN8683-1	87	1-B 14	SN916	19	1-B 7	SN9570	43	1-B 10
SN7744	41	1-B 10	SN8683-1	89	1-B 14	SN916	21	1-B 8	SN9570	45	1-B 10
SN7744	43	1-B 10	SN8683-1	93	1-B 15	SN9354	15	1-B 7	SN9571R	37	1-B 9
SN7744	45	1-B 10	SN8683-1	95	1-B 15	SN9354	17	1-B 7	SN9571R	39	1-B 9
SN7765	9	1-B 6	SN8683-1	97	1-B 15	SN9355R	13	1-B 7	SN9571R	41	1-B 10
SN7765	13	1-B 7	SN8683-1	99	1-B 15	SN9356	37	1-B 9	SN9571R	43	1-B 10
SN7765	15	1-B 7	SN8683-1	101	1-B 16	SN9356	41	1-B 10	SN9629	9	1-B 6
SN7785R	53	1-B 11	SN8686-1	83	1-B 14	SN9356	43	1-B 10	SN997002	103	1-B 16
SN7785R	55	1-B 11	SN8686-1	91	1-B 15	SN9357	37	1-B 9	SN997002	107	1-B 16
SN7785R	61	1-B 12	SN8702-10	83	1-B 14	SN9357	41	1-B 10	SN997002	111	1-B 17
SN7785R	69	1-B 12	SN8702-10	91	1-B 15	SN9357	43	1-B 10	SN997040	105	1-B 16
SN7841	57	1-B 11	SN8703-10	87	1-B 14	SN9359R	31	1-B 9	SN997040	109	1-B 16
SN7841	71	1-B 13	SN8703-10	95	1-B 15	SN9360R	25	1-B 8	SN997040	113	1-B 17
SN7841	73	1-B 13	SN8703-10	99	1-B 15	SN9361R	23	1-B 8	SN997040	115	1-B 17
SN7841	75	1-B 13	SN8712-1	83	1-B 14	SN9361R	27	1-B 8	SN997041	105	1-B 16
SN7841	77	1-B 13	SN8712-1	91	1-B 15	SN9361R	29	1-B 8	SN997041	109	1-B 16
SN7946	49	1-B 10	SN8713-1	87	1-B 14	SN9362	11	1-B 7	SN997041	113	1-B 17
SN7967	11	1-B 7	SN8713-1	95	1-B 15	SN9362	37	1-B 9	SN997041	115	1-B 17
SN7967	37	1-B 9	SN8713-1	99	1-B 15	SN9362	39	1-B 9	SN997042	105	1-B 16
SN7967	39	1-B 9	SN8732-10	83	1-B 14	SN9362	41	1-B 10	SN997042	109	1-B 16
SN7967	41	1-B 10	SN8734-10	91	1-B 15	SN9362	43	1-B 10	SN997042	113	1-B 17
SN7967	43	1-B 10	SN8737-10	87	1-B 14	SN9362	45	1-B 10	SN997042	115	1-B 17
SN7968	47	1-B 10	SN8737-10	95	1-B 15	SN9395R	53	1-B 11	SN997042	117	1-B 17
SN7968	119	1-B 17	SN8737-10	99	1-B 15	SN9400	49	1-B 10	SN997045	109	1-B 16
SN7969	47	1-B 10	SN8769-1	83	1-B 14	SN9403	7	1-B 6	SN997045	113	1-B 17
SN7969	119	1-B 17	SN8769-1	119	1-B 17	SN9404	49	1-B 10	SN997045	115	1-B 17
SN8273-1	89	1-B 14	SN8778-1	91	1-B 15	SN9411	11	1-B 7	SN997045	117	1-B 17
SN8273-1	97	1-B 15	SN8778-1	119	1-B 17	SN9416	49	1-B 10	SN997048	105	1-B 16
SN8273-1	101	1-B 16	SN8784-1	87	1-B 14	SN9417	49	1-B 10	SN997048	109	1-B 16
SN8602-1	101	1-B 16	SN8784-1	95	1-B 15	SN9418	49	1-B 10	SN997048	113	1-B 17
SN8605-1	97	1-B 15	SN8784-1	99	1-B 15	SN9444	15	1-B 7	SN997048	115	1-B 17
SN8610-1	83	1-B 14	SN8784-1	119	1-B 17	SN9445	13	1-B 7	SN997048	117	1-B 17
SN8610-1	85	1-B 14	SN8832-1	87	1-B 14	SN9449	37	1-B 9	SN997074	105	1-B 16
SN8612-1	89	1-B 14	SN8832-1	89	1-B 14	SN9451	37	1-B 9	SN997074	109	1-B 16
SN8612-1	97	1-B 15	SN8835-1	95	1-B 15	SN9451	39	1-B 9	SN997074	113	1-B 17

REAR STAND



04754

7212, 7232, & 7252 SOIL CONDITIONER
SERVICE PARTS

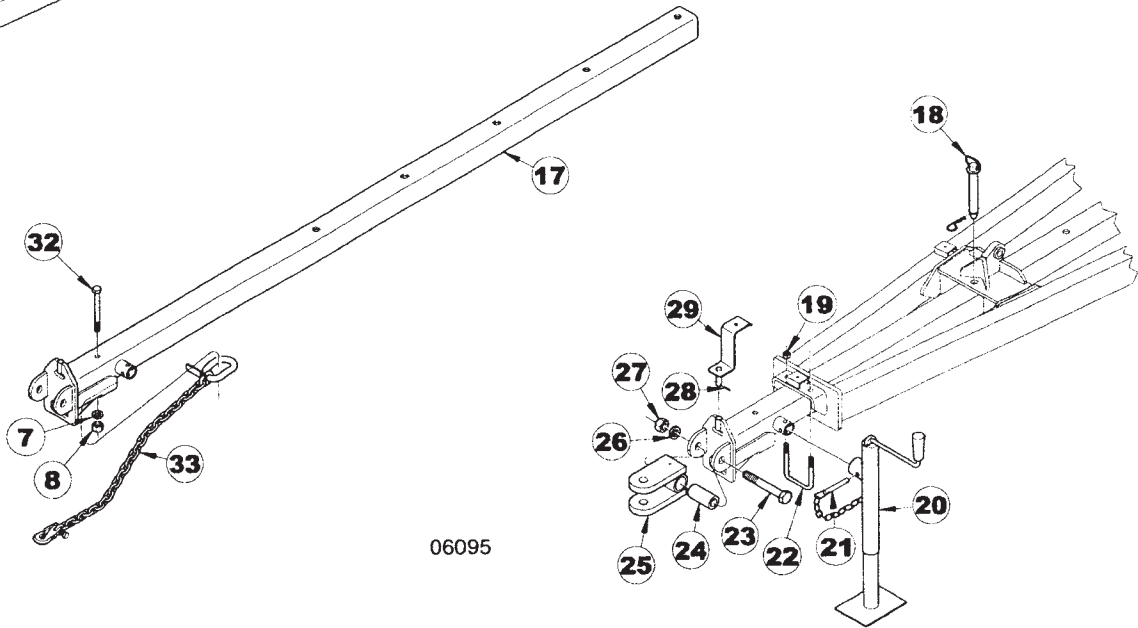
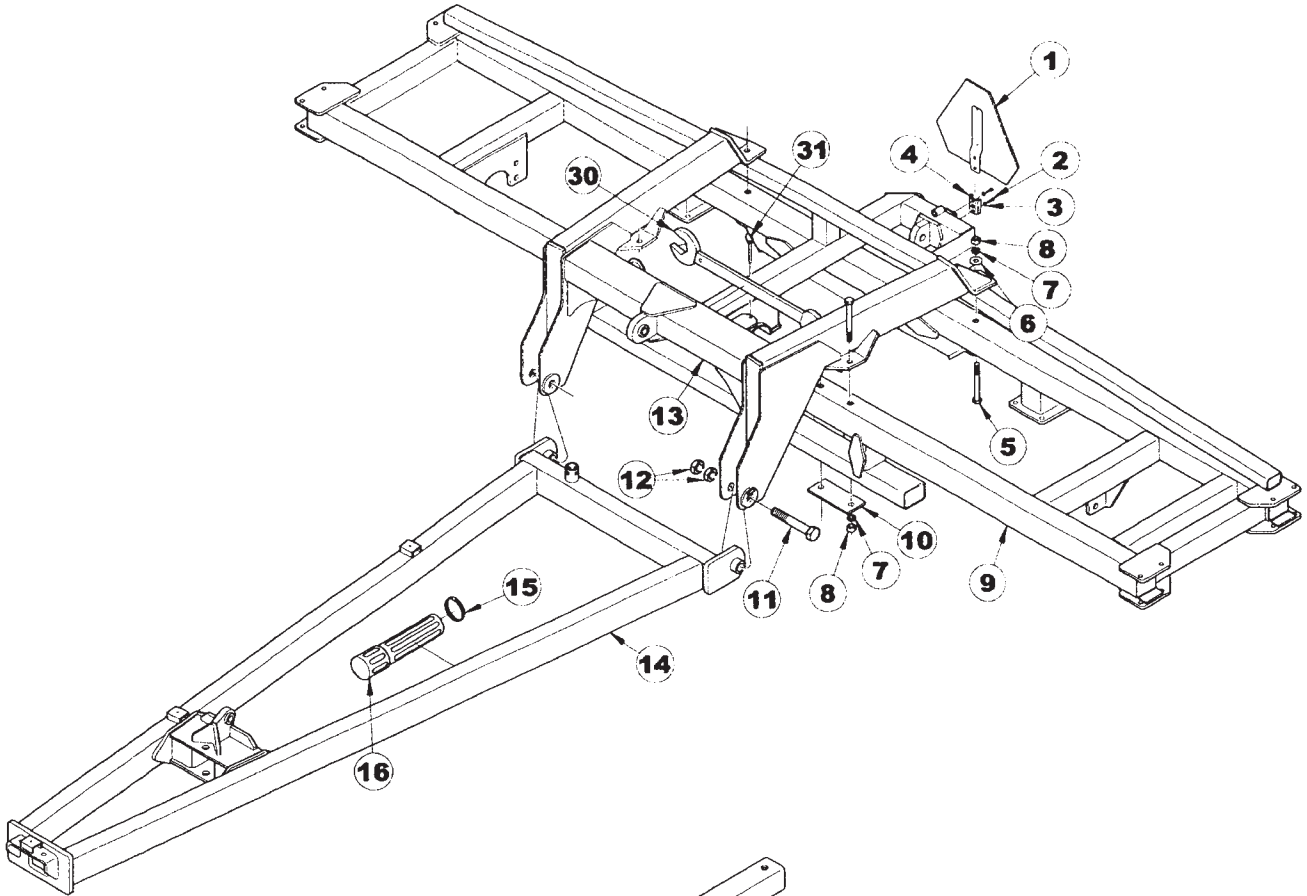
7

REAR STAND

ITEM	NUMBER	QTY	DESCRIPTION
1	SN669-1		LOCK NUT, 5/8" HEX NYLON
2	SN3353		JACK ADAPTER PLATE
3	SN3306		U-BOLT, 5/8"-11 X 4 1/2" X 4 5/8" W, GR 5, Y/D
4	SN9403		REAR JACK STAND
5	SN2094		PIN, 3/4" X 4 1/2" (4"), Y/D
6	SN2867		PIN CLIP, 1/2"-5/8" SHAFT, .120" DIA, 2" L, Y/D

I0004754
PR: t05g30n04d0001

FRAME & TONGUE ASSEMBLY
(RIGID MACHINES)



06095

TONGUE INSTALLED

**7212, 7232, & 7252 SOIL CONDITIONER
SERVICE PARTS**

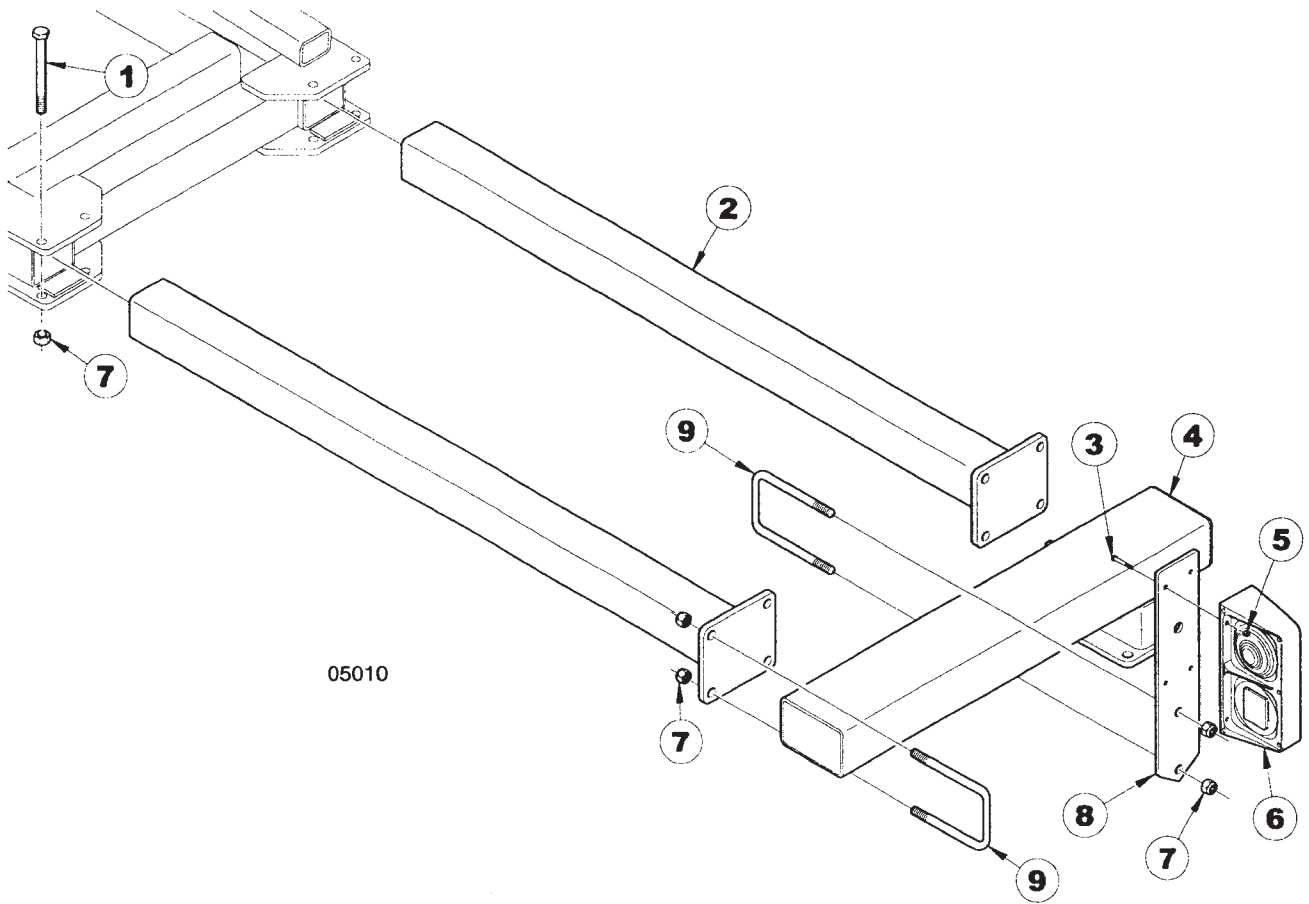
9

**FRAME & TONGUE ASSEMBLY
(RIGID MACHINES)**

ITEM	NUMBER	QTY	DESCRIPTION
1	SN7001		SMV EMBLEM
2	SN2568		HEX BOLT, 1/4"-20 X 3/4", GR 5 Y/D
3	SN506		FLAT WASHER, 1/4", Y/D
4	SN2566		S.M.V. SOCKET
5	SN916		HEX BOLT, 3/4"-10 X 6", GR 5, Y/D
6	SN9467		FLAT WASHER, 3"OD X 25/32"ID,1/2" TH
7	SN1040		LOCK WASHER,3/4" SPLIT TYPE MED,Y/D
8	SN106		HEX NUT, 3/4"-10 FULL, GR 5, Y/D
9	SN10331R		FRAME, MAIN 7212
10	SN9629		REINFORCEMENT PLATE
11	SN4753		HEX BOLT, 1 1/4"-7 X 6",
12	SN4737		JAM NUT, 1 1/4"-7 HEX, GR 2, Y/D
13	SN10334		TONGUE, MOUNT 7200
14	SN10337		TONGUE, 7212/7232-18'-30'
15	SN3765		HOSE CLAMP, 3 1/2"
16	SN3750		OPERATOR'S MANUAL TUBE
17	SN10339R		TONGUE, SLIDE EXTENSION
18	SN7765		PIN, 1" X 8 1/8" (6"), Y/D W/PIN CLIP
19	SN669-1		LOCK NUT, 5/8" HEX NYLON
20	SNYYB-909		SWIVEL JACK
21	SN2378-2		TONGUE JACK PIN
22	SN3052		U-BOLT, 5/8"-11 X 5 5/8" X 4 3/4" W, GR 5, Y/D
23	SN2646		HEX BOLT, 1 1/8"-7 X 7", GR 5, Y/D
24	SN4893		BUSHING, CLEVIS - 4 3/16" L.
25	SN3807		HITCH CLEVIS, 4" DOUBLE 1 1/4" HOLE
26	SN2561		LOCK WASHER, 1 1/8" SPLIT TYPE MED, Y/D
27	SN1300		HEX NUT, 1 1/8"-7 FULL, GR 2, Y/D
28	SNFK150295		ROLL PIN, 3/16" X 1
29	SN10338		HOLDER, HOSE
30	SN6923		WRENCH, TONGUE ADJUSTMENT
31	SN6575		BALL LOCK PIN, 3/8" X 3 1/2" (3 1/8")
32	SN1791		HEX BOLT, 3/4"-10 X 6 1/2",GR 5,Y/D
33	SN10362		CHAIN, 5/16" X 59" (10,100 LB) Y/D,ASSY

I0006095
PR: t05g30n04d0002

SLIDING EXTENSIONS (RIGID MACHINES)



05010

7212, 7232, & 7252 SOIL CONDITIONER
SERVICE PARTS

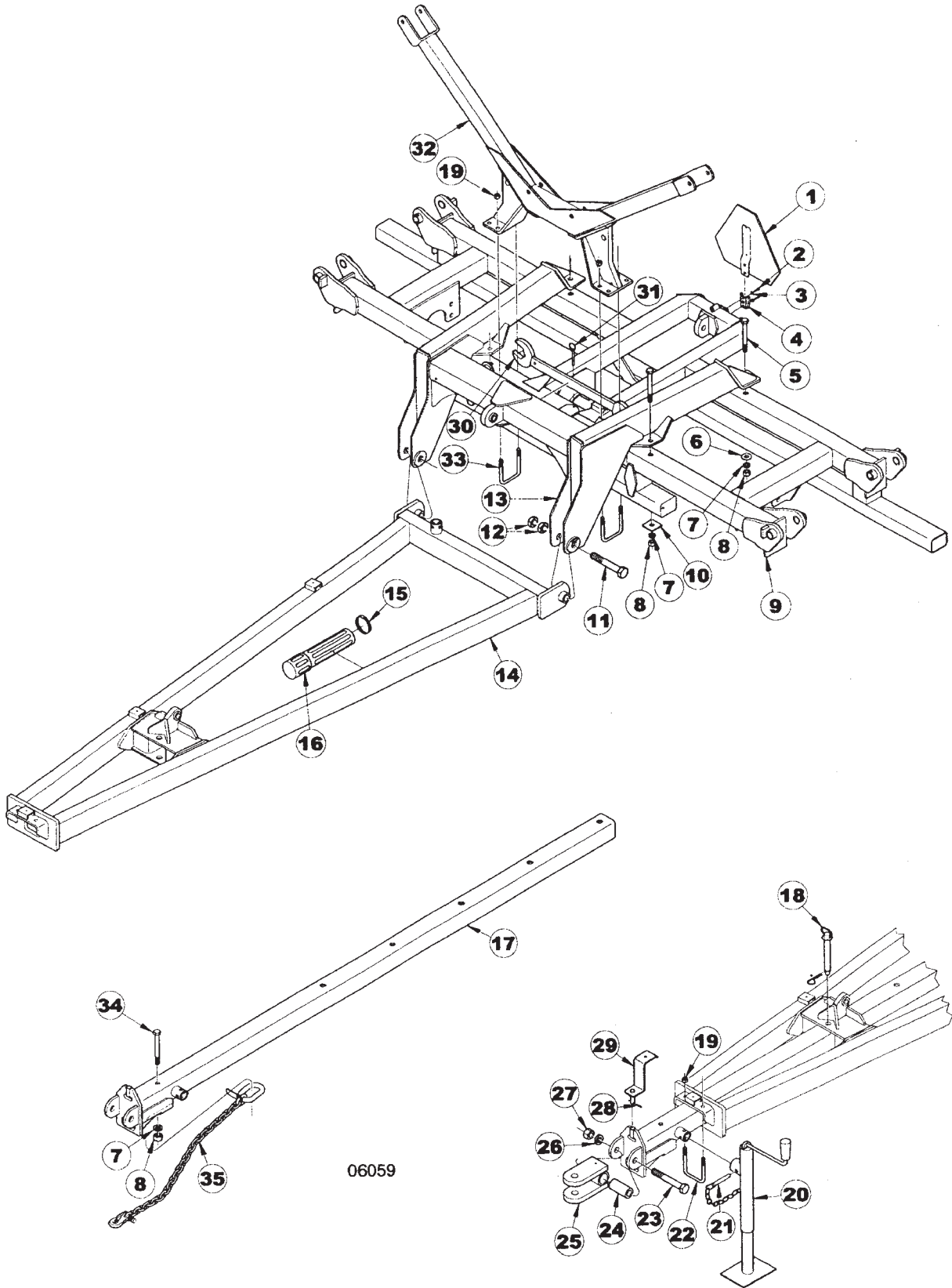
11

SLIDING EXTENSIONS (RIGID MACHINES)

ITEM	NUMBER	QTY	DESCRIPTION
1	SN1672		HEX BOLT, 5/8"-11 X 6", GR 5, Y/D
2	SN9362		EXTENSION
3	SN2750		HEX BOLT, 1/4"-20 X 1 1/4", GR 2, Y/D
4	SN10353		EXTENSION, OUTER WING
5	SN3881		LOCK NUT, 1/4"-20 HEX NYLON INSERT, GR 2, Y/D
6	SN7967		LIGHT KIT W/HARDWARE, EXTENDED HARNESS
7	SN669-1		LOCK NUT, 5/8" HEX NYLON
8	SN9411		LIGHT BRACKET
9	SN2984		U-BOLT, 5/8"-11 X 7 1/2" X 4 3/4" W, GR 5, Y/D

I0005010
PR: t05g30n04d0003

CENTER FRAME & TONGUE ASSEMBLY
(3-SECTION 18'-25')



06059

TONGUE INSTALLED

**7212, 7232, & 7252 SOIL CONDITIONER
SERVICE PARTS**

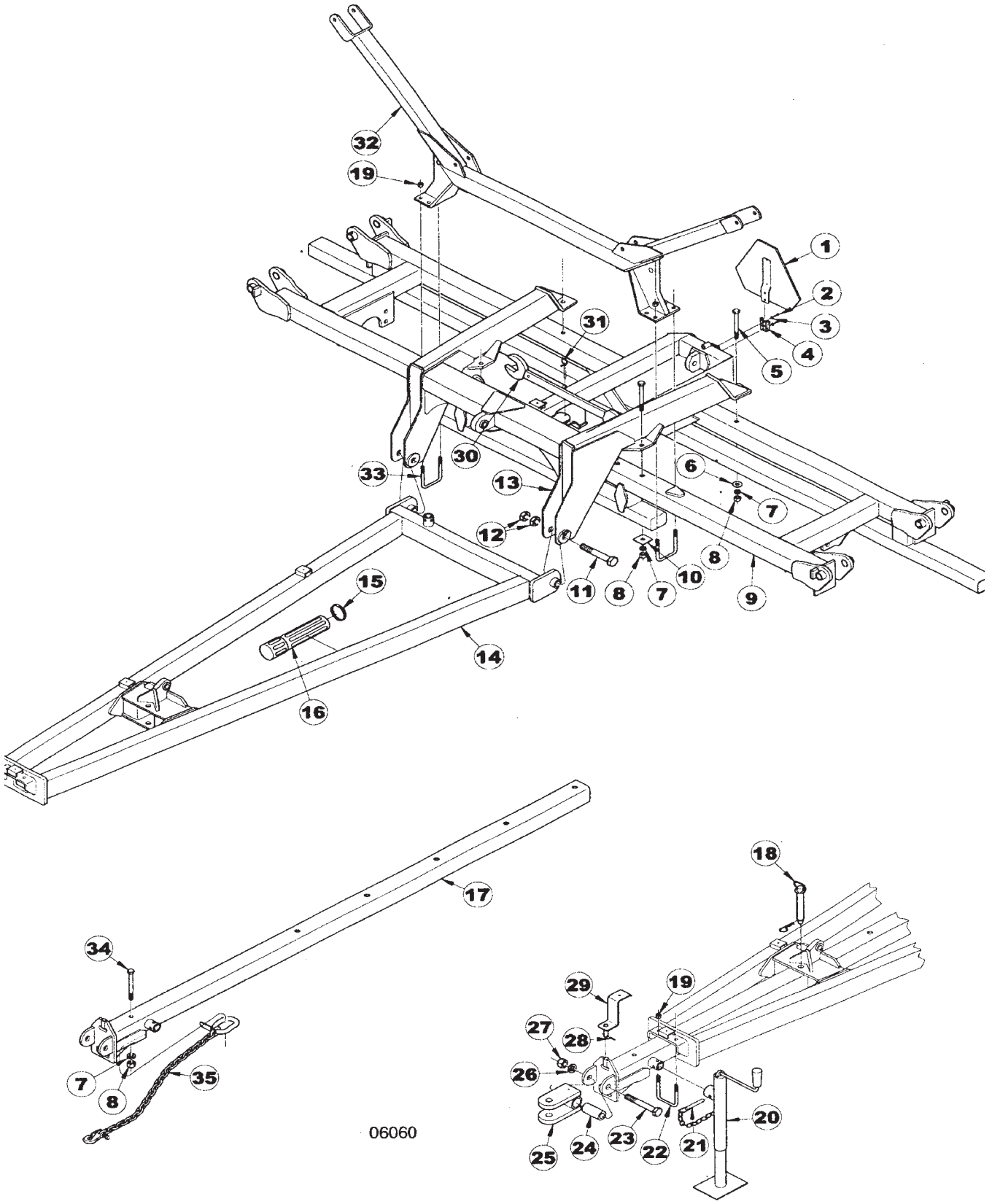
13

**CENTER FRAME & TONGUE ASSEMBLY
(3-SECTION 18'-25')**

ITEM	NUMBER	QTY	DESCRIPTION
1	SN7001		SMV EMBLEM
2	SN2568		HEX BOLT, 1/4"-20 X 3/4", GR 5 Y/D
3	SN506		FLAT WASHER, 1/4", Y/D
4	SN2566		S.M.V. SOCKET
5	SN916		HEX BOLT, 3/4"-10 X 6", GR 5, Y/D
6	SN9467		FLAT WASHER, 3"OD X 25/32"ID,1/2" TH
7	SN1040		LOCK WASHER,3/4" SPLIT TYPE MED,Y/D
8	SN106		HEX NUT, 3/4"-10 FULL, GR 5, Y/D
9	SN9355R		CENTER FRAME, 9 1/2'
10	SN5937		FLAT WASHER, 3/4", 1/4" THICK
11	SN4753		HEX BOLT, 1 1/4"-7 X 6",
12	SN4737		JAM NUT, 1 1/4"-7 HEX, GR 2, Y/D
13	SN10334		TONGUE, MOUNT 7200
14	SN10337		TONGUE, 7212/7232-18'-30'
15	SN3765		HOSE CLAMP, 3 1/2"
16	SN3750		OPERATOR'S MANUAL TUBE
17	SN10339R		TONGUE, SLIDE EXTENSION
18	SN7765		PIN, 1" X 8 1/8" (6"), Y/D W/PIN CLIP
19	SN669-1		LOCK NUT, 5/8" HEX NYLON
20	SNYYB-909		SWIVEL JACK
21	SN2378-2		TONGUE JACK PIN
22	SN3052		U-BOLT, 5/8"-11 X 5 5/8" X 4 3/4" W, GR 5, Y/D
23	SN2646		HEX BOLT, 1 1/8"-7 X 7", GR 5, Y/D
24	SN4893		BUSHING, CLEVIS - 4 3/16" L.
25	SN3807		HITCH CLEVIS, 4" DOUBLE 1 1/4" HOLE
26	SN2561		LOCK WASHER, 1 1/8" SPLIT TYPE MED, Y/D
27	SN1300		HEX NUT, 1 1/8"-7 FULL, GR 2, Y/D
28	SNFK150295		ROLL PIN, 3/16" X 1
29	SN10338		HOLDER, HOSE
30	SN6923		WRENCH, TONGUE ADJUSTMENT
31	SN6575		BALL LOCK PIN, 3/8" X 3 1/2" (3 1/8")
32	SN9445		WING STABILIZER
33	SN3052		U-BOLT, 5/8"-11 X 5 5/8" X 4 3/4" W, GR 5, Y/D
34	SN1791		HEX BOLT, 3/4"-10 X 6 1/2",GR 5,Y/D
35	SN10362		CHAIN, 5/16" X 59" (10,100 LB) Y/D,ASSY

I0006059
PR: t05g30n04d0004

CENTER FRAME & TONGUE ASSEMBLY
(3-SECTION 28'-30')



06060

TONGUE INSTALLED

**7212, 7232, & 7252 SOIL CONDITIONER
SERVICE PARTS**

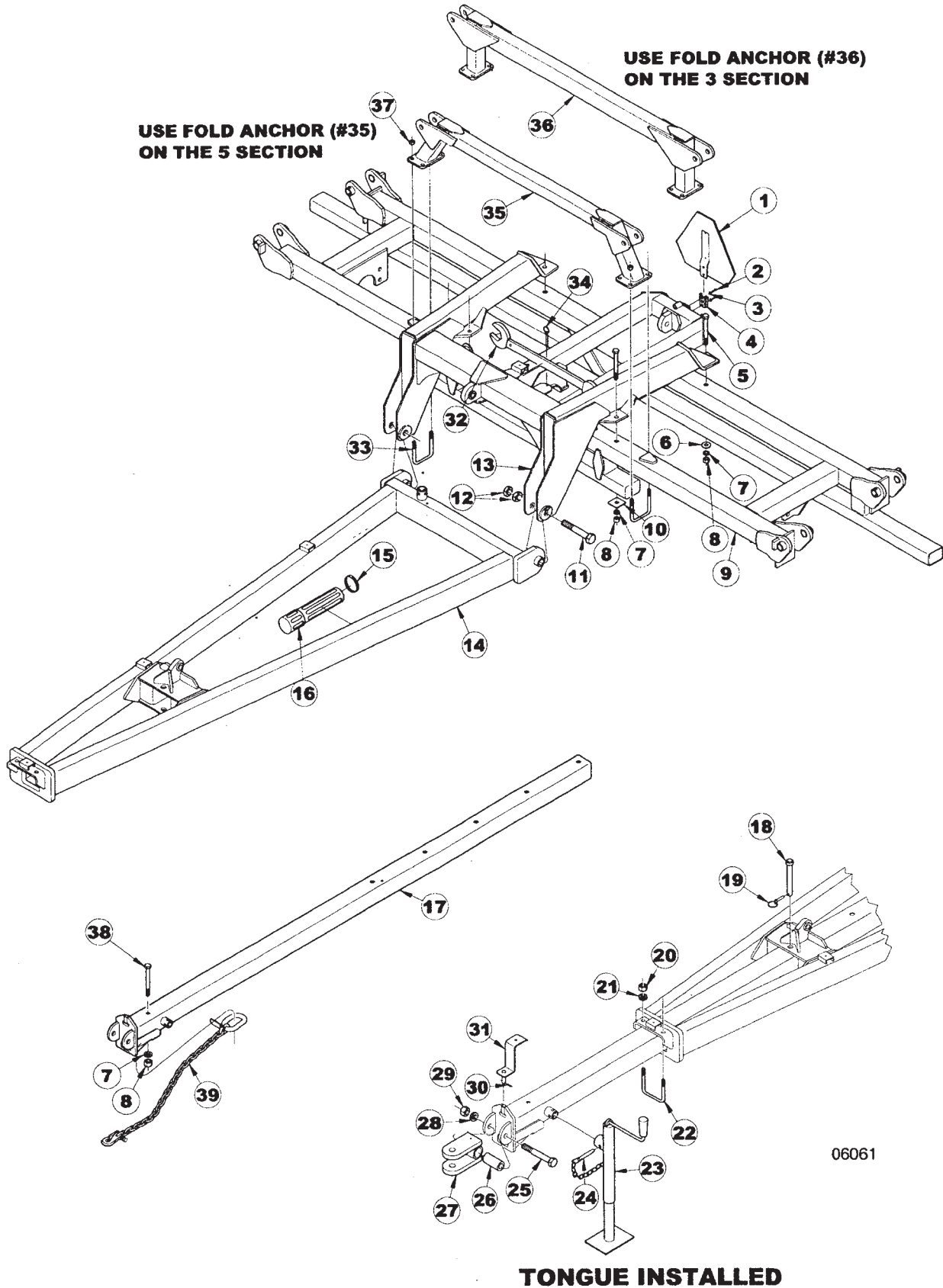
15

**CENTER FRAME & TONGUE ASSEMBLY
(3-SECTION 28'-30')**

ITEM	NUMBER	QTY	DESCRIPTION
1	SN7001		SMV EMBLEM
2	SN2568		HEX BOLT, 1/4"-20 X 3/4", GR 5 Y/D
3	SN506		FLAT WASHER, 1/4", Y/D
4	SN2566		S.M.V. SOCKET
5	SN916		HEX BOLT, 3/4"-10 X 6", GR 5, Y/D
6	SN9467		FLAT WASHER, 3"OD X 25/32"ID,1/2" TH
7	SN1040		LOCK WASHER,3/4" SPLIT TYPE MED,Y/D
8	SN106		HEX NUT, 3/4"-10 FULL, GR 5, Y/D
9	SN9354		CENTER FRAME, 12'
10	SN5937		FLAT WASHER, 3/4", 1/4" THICK
11	SN4753		HEX BOLT, 1 1/4"-7 X 6",
12	SN4737		JAM NUT, 1 1/4"-7 HEX, GR 2, Y/D
13	SN10334		TONGUE, MOUNT 7200
14	SN10337		TONGUE, 7212/7232-18'-30'
15	SN3765		HOSE CLAMP, 3 1/2"
16	SN3750		OPERATOR'S MANUAL TUBE
17	SN10339R		TONGUE, SLIDE EXTENSION
18	SN7765		PIN, 1" X 8 1/8" (6"), Y/D W/PIN CLIP
19	SN669-1		LOCK NUT, 5/8" HEX NYLON
20	SNYYB-909		SWIVEL JACK
21	SN2378-2		TONGUE JACK PIN
22	SN3052		U-BOLT, 5/8"-11 X 5 5/8" X 4 3/4" W, GR 5, Y/D
23	SN2646		HEX BOLT, 1 1/8"-7 X 7", GR 5, Y/D
24	SN4893		BUSHING, CLEVIS - 4 3/16" L.
25	SN3807		HITCH CLEVIS, 4" DOUBLE 1 1/4" HOLE
26	SN2561		LOCK WASHER, 1 1/8" SPLIT TYPE MED, Y/D
27	SN1300		HEX NUT, 1 1/8"-7 FULL, GR 2, Y/D
28	SNFK150295		ROLL PIN, 3/16" X 1
29	SN10338		HOLDER, HOSE
30	SN6923		WRENCH, TONGUE ADJUSTMENT
31	SN6575		BALL LOCK PIN, 3/8" X 3 1/2" (3 1/8")
32	SN9444		WING STABILIZER
33	SN3052		U-BOLT, 5/8"-11 X 5 5/8" X 4 3/4" W, GR 5, Y/D
34	SN1791		HEX BOLT, 3/4"-10 X 6 1/2",GR 5,Y/D
35	SN10362		CHAIN, 5/16" X 59" (10,100 LB) Y/D,ASSY

I0006060
PR: t05g30n04d0005

**CENTER FRAME & TONGUE (3-SECTION
32'-35' NC, 5-SECTION 32'-37')**



06061

**7212, 7232, & 7252 SOIL CONDITIONER
SERVICE PARTS**

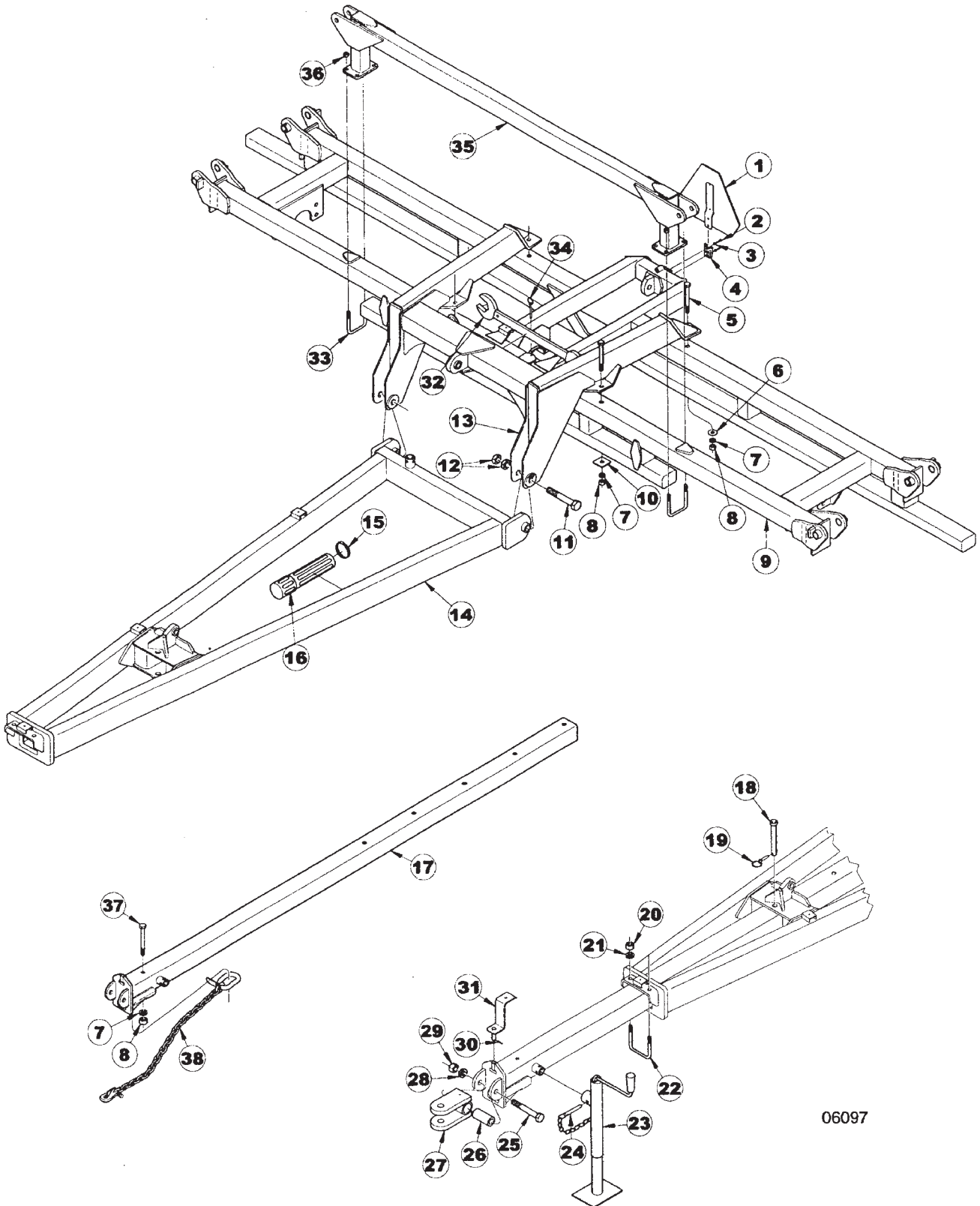
17

**CENTER FRAME & TONGUE (3-SECTION
32'-35' NC, 5-SECTION 32'-37')**

ITEM	NUMBER	QTY	DESCRIPTION
1	SN7001		SMV EMBLEM
2	SN2568		HEX BOLT, 1/4"-20 X 3/4", GR 5 Y/D
3	SN506		FLAT WASHER, 1/4", Y/D
4	SN2566		S.M.V. SOCKET
5	SN916		HEX BOLT, 3/4"-10 X 6", GR 5, Y/D
6	SN9467		FLAT WASHER, 3"OD X 25/32"ID,1/2" TH
7	SN1040		LOCK WASHER,3/4" SPLIT TYPE MED,Y/D
8	SN106		HEX NUT, 3/4"-10 FULL, GR 5, Y/D
9	SN9354		CENTER FRAME, 12'
10	SN5937		FLAT WASHER, 3/4", 1/4" THICK
11	SN4753		HEX BOLT, 1 1/4"-7 X 6",
12	SN4737		JAM NUT, 1 1/4"-7 HEX, GR 2, Y/D
13	SN10334		TONGUE, MOUNT 7200
14	SN10344		TONGUE, 7232 & 7252-32'-37'
15	SN3765		HOSE CLAMP, 3 1/2"
16	SN3750		OPERATOR'S MANUAL TUBE
17	SN10340		TONGUE, SLIDE EXTENSION
18	SNB30001		PIN, 1" X 8 3/8" (6 15/16")
19	SN9534		PIN, 5/16" X 2 11/32"L, 1 5/8" RING DIA, Y/D, KCLICK
20	SN106		HEX NUT, 3/4"-10 FULL, GR 5, Y/D
21	SN1040		LOCK WASHER,3/4" SPLIT TYPE MED,Y/D
22	SN6272		U-BOLT, 3/4"-10 X 6 1/4" X 5 13/16" W, Y/D
23	SNYYB-909		SWIVEL JACK
24	SN2378-2		TONGUE JACK PIN
25	SN2646		HEX BOLT, 1 1/8"-7 X 7", GR 5, Y/D
26	SN4893		BUSHING, CLEVIS - 4 3/16" L.
27	SN3807		HITCH CLEVIS, 4" DOUBLE 1 1/4" HOLE
28	SN2561		LOCK WASHER, 1 1/8" SPLIT TYPE MED, Y/D
29	SN1300		HEX NUT, 1 1/8"-7 FULL, GR 2, Y/D
30	SNFK150295		ROLL PIN, 3/16" X 1
31	SN10338		HOLDER, HOSE
32	SN6923		WRENCH, TONGUE ADJUSTMENT
33	SN3052		U-BOLT, 5/8"-11 X 5 5/8" X 4 3/4" W, GR 5, Y/D
34	SN6575		BALL LOCK PIN, 3/8" X 3 1/2" (3 1/8")
35	SN9491		FOLD ANCHOR, INNER WING
36	SN9568R		FOLD ANCHOR
37	SN669-1		LOCK NUT, 5/8" HEX NYLON INSERT, GR 5, Y/D
38	SN1484		HEX BOLT, 3/4"-10 X 7 1/2", GR 5,Y/D
39	SN10362		CHAIN, 5/16" X 59" (10,100 LB) Y/D,ASSY

I0006061
PR: t05g30n04d0006

CENTER FRAME & TONGUE ASSEMBLY
(3-SECTION 32'-37')



06097

TONGUE INSTALLED

**7212, 7232, & 7252 SOIL CONDITIONER
SERVICE PARTS**

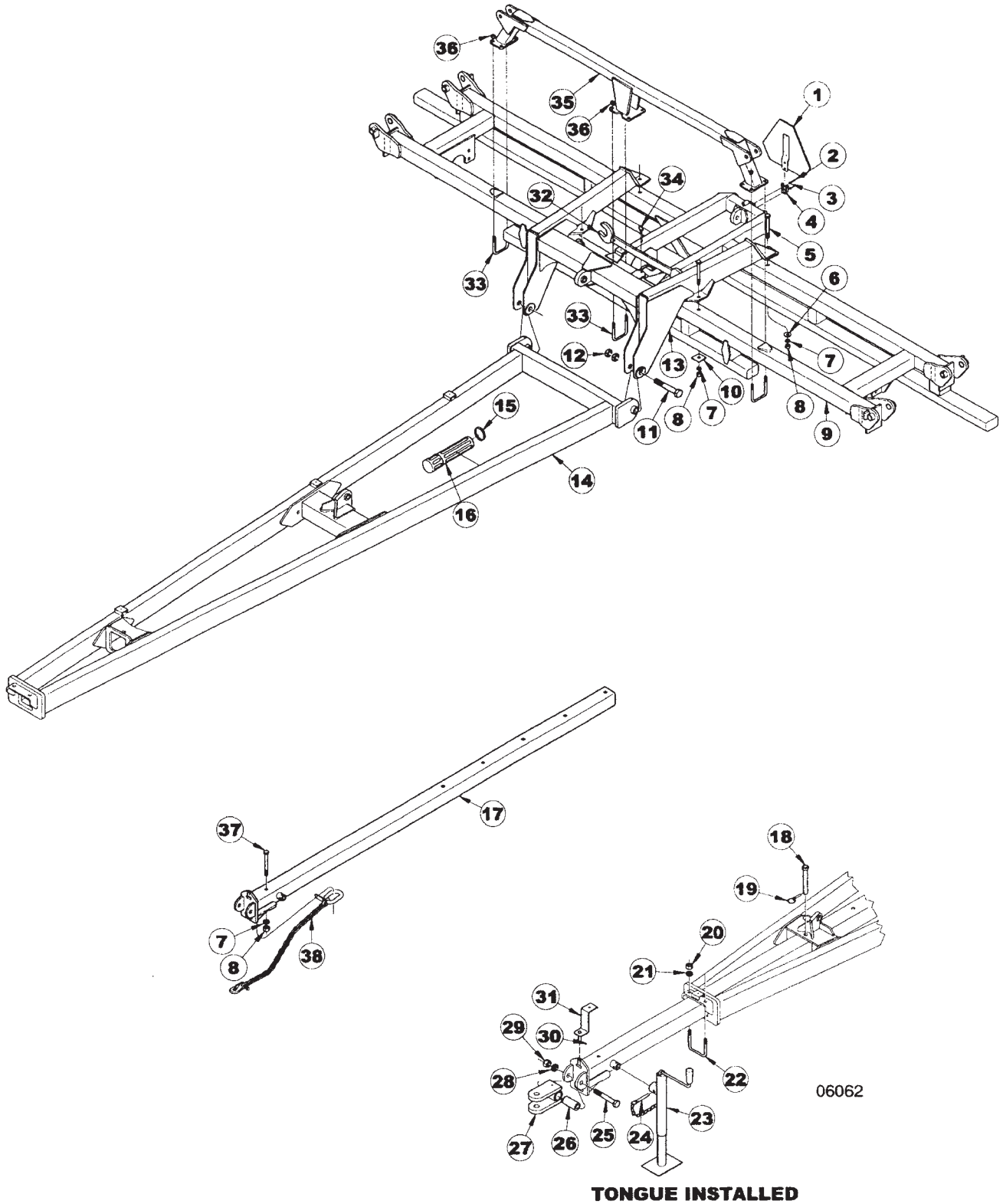
19

**CENTER FRAME & TONGUE ASSEMBLY
(3-SECTION 32'-37')**

ITEM	NUMBER	QTY	DESCRIPTION
1	SN7001		SMV EMBLEM
2	SN2568		HEX BOLT, 1/4"-20 X 3/4", GR 5 Y/D
3	SN506		FLAT WASHER, 1/4", Y/D
4	SN2566		S.M.V. SOCKET
5	SN916		HEX BOLT, 3/4"-10 X 6", GR 5, Y/D
6	SN9467		FLAT WASHER, 3"OD X 25/32"ID,1/2" TH
7	SN1040		LOCK WASHER,3/4" SPLIT TYPE MED,Y/D
8	SN106		HEX NUT, 3/4"-10 FULL, GR 5, Y/D
9	SN9494		CENTER FRAME, 15'
10	SN5937		FLAT WASHER, 3/4", 1/4" THICK
11	SN4753		HEX BOLT, 1 1/4"-7 X 6",
12	SN4737		JAM NUT, 1 1/4"-7 HEX, GR 2, Y/D
13	SN10334		TONGUE, MOUNT 7200
14	SN10344		TONGUE, 7232 & 7252-32'-37'
15	SN3765		HOSE CLAMP, 3 1/2"
16	SN3750		OPERATOR'S MANUAL TUBE
17	SN10340		TONGUE, SLIDE EXTENSION
18	SNB30001		PIN, 1" X 8 3/8" (6 15/16")
19	SN9534		PIN, 5/16" X 2 11/32"L, 1 5/8" RING DIA, Y/D, KCLICK
20	SN106		HEX NUT, 3/4"-10 FULL, GR 5, Y/D
21	SN1040		LOCK WASHER,3/4" SPLIT TYPE MED,Y/D
22	SN6272		U-BOLT, 3/4"-10 X 6 1/4" X 5 13/16" W, Y/D
23	SNYYB-909		SWIVEL JACK
24	SN2378-2		TONGUE JACK PIN
25	SN2646		HEX BOLT, 1 1/8"-7 X 7", GR 5, Y/D
26	SN4893		BUSHING, CLEVIS - 4 3/16" L.
27	SN3807		HITCH CLEVIS, 4" DOUBLE 1 1/4" HOLE
28	SN2561		LOCK WASHER, 1 1/8" SPLIT TYPE MED, Y/D
29	SN1300		HEX NUT, 1 1/8"-7 FULL, GR 2, Y/D
30	SNFK150295		ROLL PIN, 3/16" X 1
31	SN10338		HOLDER, HOSE
32	SN6923		WRENCH, TONGUE ADJUSTMENT
33	SN3052		U-BOLT, 5/8"-11 X 5 5/8" X 4 3/4" W, GR 5, Y/D
34	SN6575		BALL LOCK PIN, 3/8" X 3 1/2" (3 1/8")
35	SN9567R		FOLD ANCHOR
36	SN669-1		LOCK NUT, 5/8" HEX NYLON INSERT, GR 5, Y/D
37	SN1484		HEX BOLT, 3/4"-10 X 7 1/2",GR 5,Y/D
38	SN10362		CHAIN, 5/16" X 59" (10,100 LB) Y/D,ASSY

I0006097
PR: t05g30n04d0007

CENTER FRAME & TONGUE ASSEMBLY
(5-SECTION 40'-56')



**7212, 7232, & 7252 SOIL CONDITIONER
SERVICE PARTS**

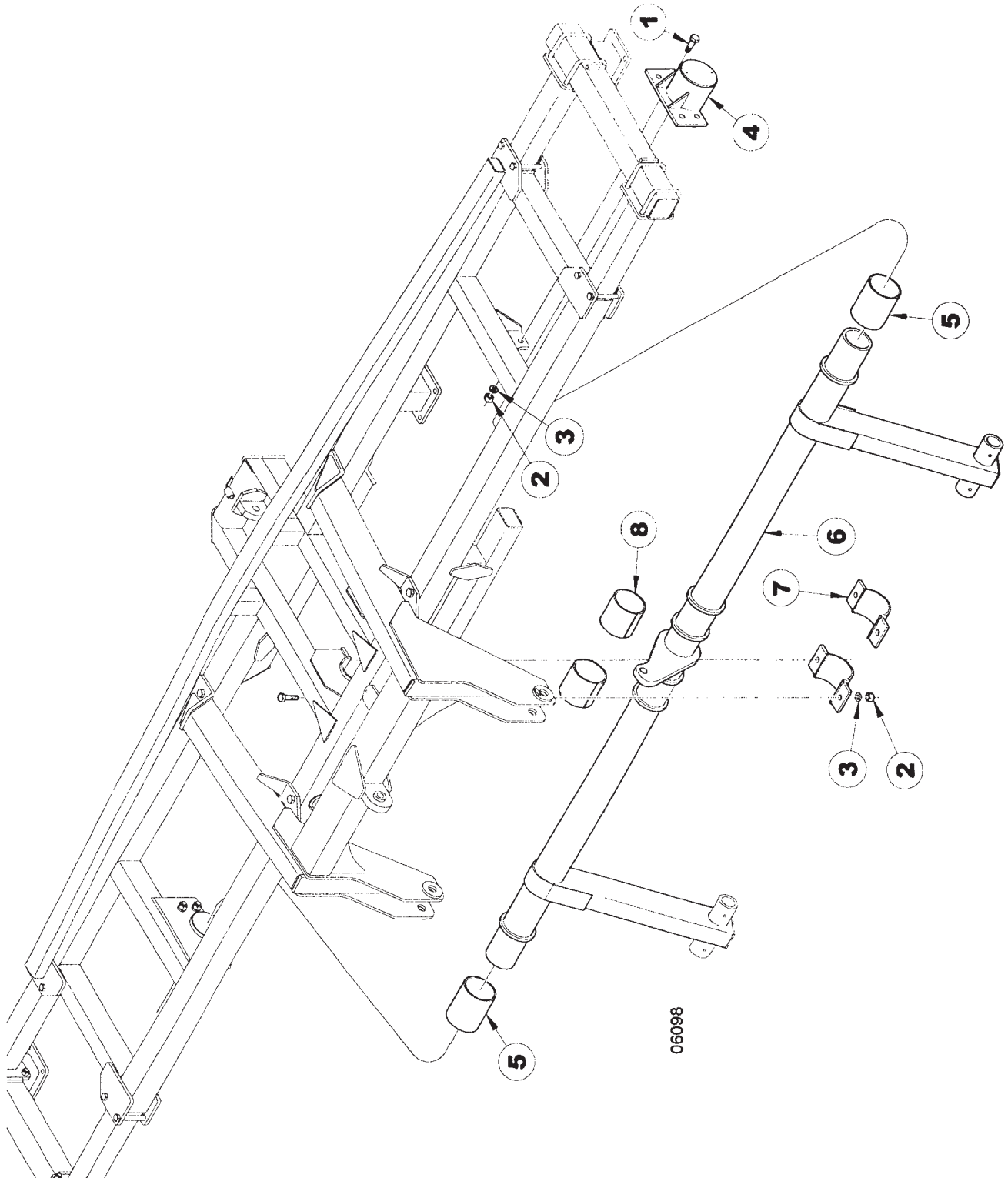
21

**CENTER FRAME & TONGUE ASSEMBLY
(5-SECTION 40'-56')**

ITEM	NUMBER	QTY	DESCRIPTION
1	SN7001		SMV EMBLEM
2	SN2568		HEX BOLT, 1/4"-20 X 3/4", GR 5 Y/D
3	SN506		FLAT WASHER, 1/4", Y/D
4	SN2566		S.M.V. SOCKET
5	SN916		HEX BOLT, 3/4"-10 X 6", GR 5, Y/D
6	SN9467		FLAT WASHER, 3"OD X 25/32"ID,1/2" TH
7	SN1040		LOCK WASHER,3/4" SPLIT TYPE MED,Y/D
8	SN106		HEX NUT, 3/4"-10 FULL, GR 5, Y/D
9	SN9494		CENTER FRAME, 15'
10	SN5937		FLAT WASHER, 3/4", 1/4" THICK
11	SN4753		HEX BOLT, 1 1/4"-7 X 6",
12	SN4737		JAM NUT, 1 1/4"-7 HEX, GR 2, Y/D
13	SN10334		TONGUE, MOUNT 7200
14	SN10345		TONGUE, 7252-40'-45'
15	SN3765		HOSE CLAMP, 3 1/2"
16	SN3750		OPERATOR'S MANUAL TUBE
17	SN10340		TONGUE, SLIDE EXTENSION
	SN12608R		TONGUE, SLIDE EXTENSION (52'-56')
18	SNB30001		PIN, 1" X 8 3/8" (6 15/16")
19	SN9534		PIN, 5/16" X 2 11/32"L, 1 5/8" RING DIA, Y/D, KLINK
20	SN106		HEX NUT, 3/4"-10 FULL, GR 5, Y/D
21	SN1040		LOCK WASHER,3/4" SPLIT TYPE MED,Y/D
22	SN6272		U-BOLT, 3/4"-10 X 6 1/4" X 5 13/16" W, Y/D
23	SNYYB-909		SWIVEL JACK
24	SN2378-2		TONGUE JACK PIN
25	SN2646		HEX BOLT, 1 1/8"-7 X 7", GR 5, Y/D
26	SN4893		BUSHING, CLEVIS - 4 3/16" L.
27	SN3807		HITCH CLEVIS, 4" DOUBLE 1 1/4" HOLE
28	SN2561		LOCK WASHER, 1 1/8" SPLIT TYPE MED, Y/D
29	SN1300		HEX NUT, 1 1/8"-7 FULL, GR 2, Y/D
30	SNFK150295		ROLL PIN, 3/16" X 1
31	SN10338		HOLDER, HOSE
32	SN6923		WRENCH, TONGUE ADJUSTMENT
33	SN3052		U-BOLT, 5/8"-11 X 5 5/8" X 4 3/4" W, GR 5, Y/D
34	SN6575		BALL LOCK PIN, 3/8" X 3 1/2" (3 1/8")
35	SN9492R		FOLD ANCHOR, INNER WING
36	SN669-1		LOCK NUT, 5/8" HEX NYLON INSERT, GR 5, Y/D
37	SN1484		HEX BOLT, 3/4"-10 X 7 1/2",GR 5,Y/D
38	SN10362		CHAIN, 5/16" X 59" (10,100 LB) Y/D,ASSY

I0006062
PR: t05g30n04d0008

LIFT ASSEMBLY (RIGID MACHINE)



7212, 7232, & 7252 SOIL CONDITIONER
SERVICE PARTS

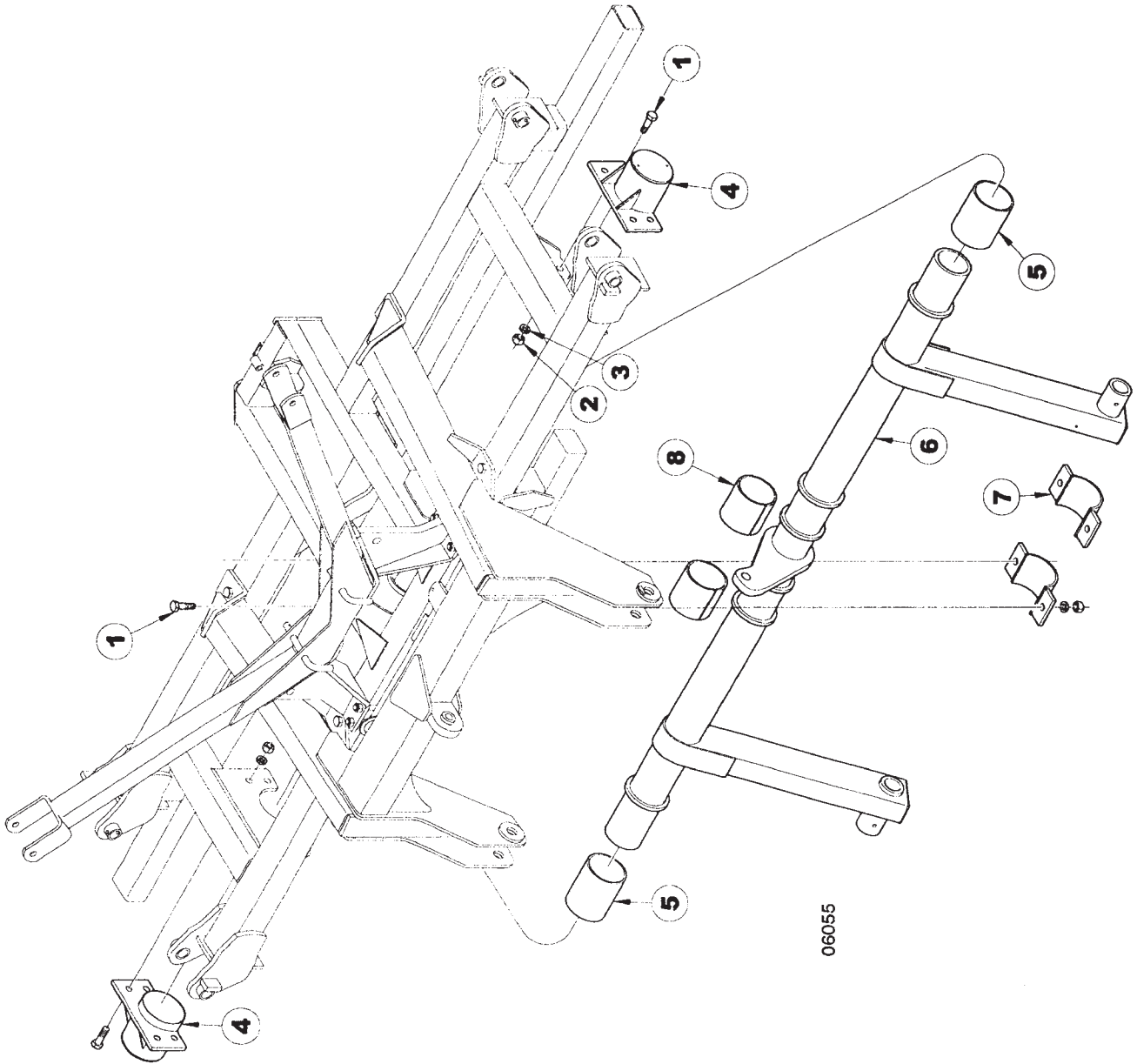
23

LIFT ASSEMBLY (RIGID MACHINE)

ITEM	NUMBER	QTY	DESCRIPTION
1	SN1220		HEX BOLT, 3/4"-10 X 2", GR 5 Y/D
2	SN106		HEX NUT, 3/4"-10 FULL, GR 5, Y/D
3	SN1040		LOCK WASHER, 3/4" SPLIT TYPE MED, Y/D
4	SN6167		BEARING CAP
5	SN6150		BEARING, LIFT
6	SN9361R		LIFT, CENTER
7	SN6301R		BEARING CAP
8	SN6425		BEARING, LIFT (SPLIT)

I0006098
PR: t05g30n04d0009

LIFT ASSEMBLY (3-SECTION 18'-25')



7212, 7232, & 7252 SOIL CONDITIONER
SERVICE PARTS

25

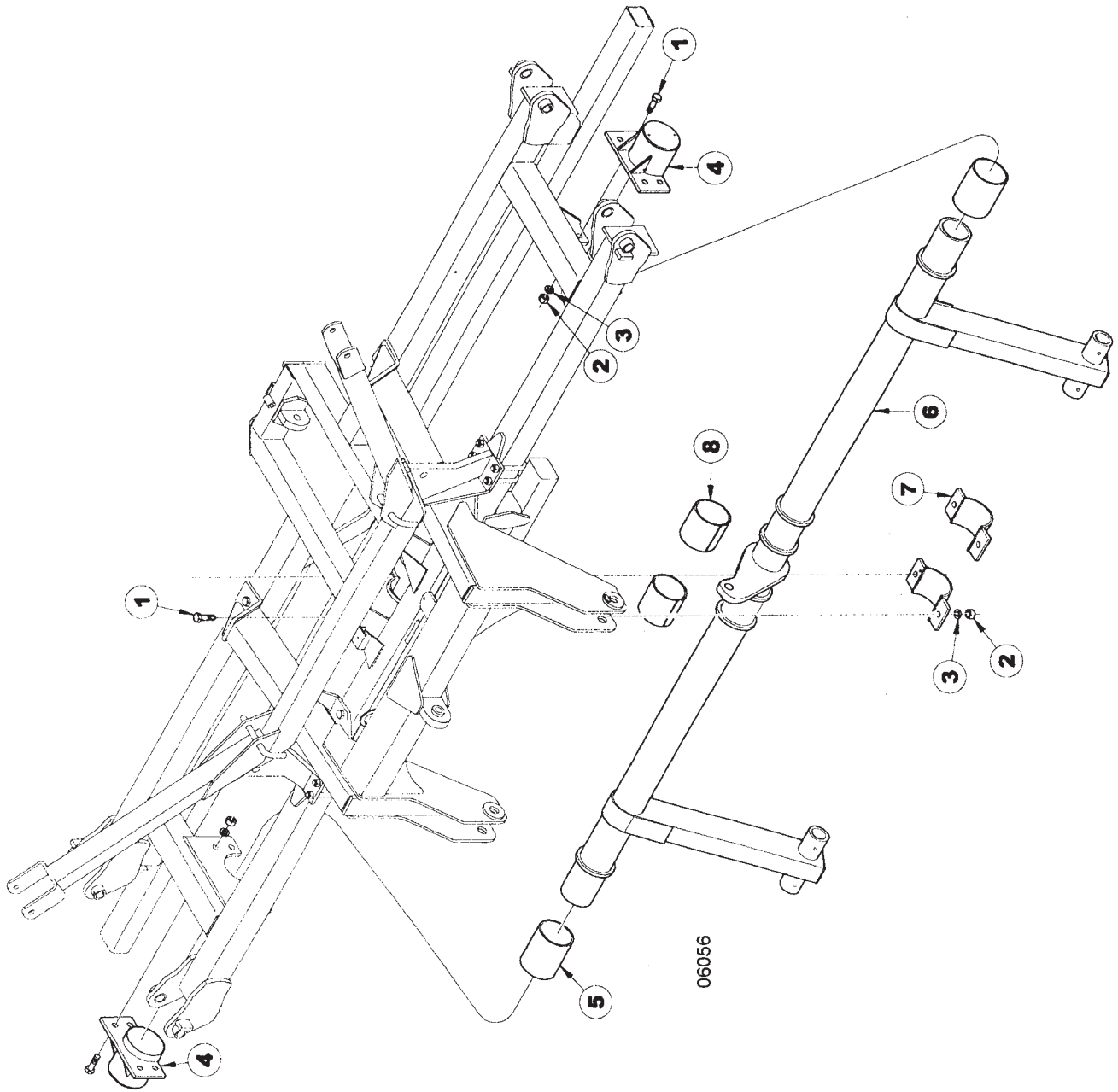
LIFT ASSEMBLY (3-SECTION 18'-25')

ITEM	NUMBER	QTY	DESCRIPTION
1	SN1220		HEX BOLT, 3/4"-10 X 2", GR 5 Y/D
2	SN106		HEX NUT, 3/4"-10 FULL, GR 5, Y/D
3	SN1040		LOCK WASHER, 3/4" SPLIT TYPE MED, Y/D
4	SN6167		BEARING CAP
5	SN6150		BEARING, LIFT
6	SN9360R		LIFT, CENTER
7	SN6301R		BEARING CAP
8	SN6425		BEARING, LIFT (SPLIT)

I0006055
PR: t05g30n04d0010

7212, 7232, & 7252 SOIL CONDITIONER
SERVICE PARTS

LIFT ASSEMBLY (3-SECTION 28'-30')



7212, 7232, & 7252 SOIL CONDITIONER
SERVICE PARTS

27

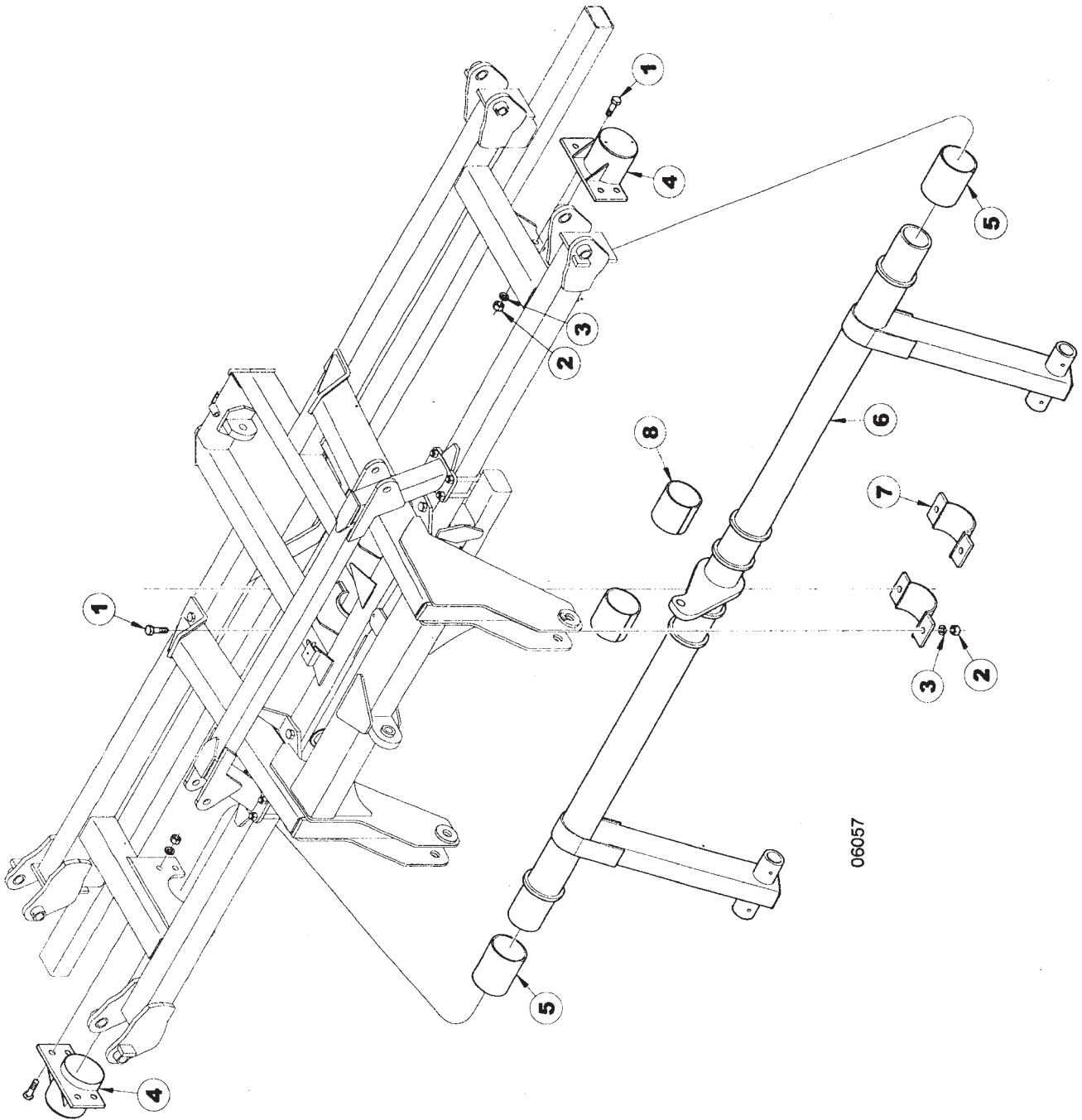
LIFT ASSEMBLY (3-SECTION 28'-30')

ITEM	NUMBER	QTY	DESCRIPTION
1	SN1220		HEX BOLT, 3/4"-10 X 2", GR 5 Y/D
2	SN106		HEX NUT, 3/4"-10 FULL, GR 5, Y/D
3	SN1040		LOCK WASHER, 3/4" SPLIT TYPE MED, Y/D
4	SN6167		BEARING CAP
5	SN6150		BEARING, LIFT
6	SN9361R		LIFT, CENTER
7	SN6301R		BEARING CAP
8	SN6425		BEARING, LIFT (SPLIT)

I0006056
PR: t05g30n04d0011

7212, 7232, & 7252 SOIL CONDITIONER
SERVICE PARTS

LIFT ASSEMBLY (3-SECTION 32'-35'
NC & 5-SECTION 32'-37')



06057

7212, 7232, & 7252 SOIL CONDITIONER
SERVICE PARTS

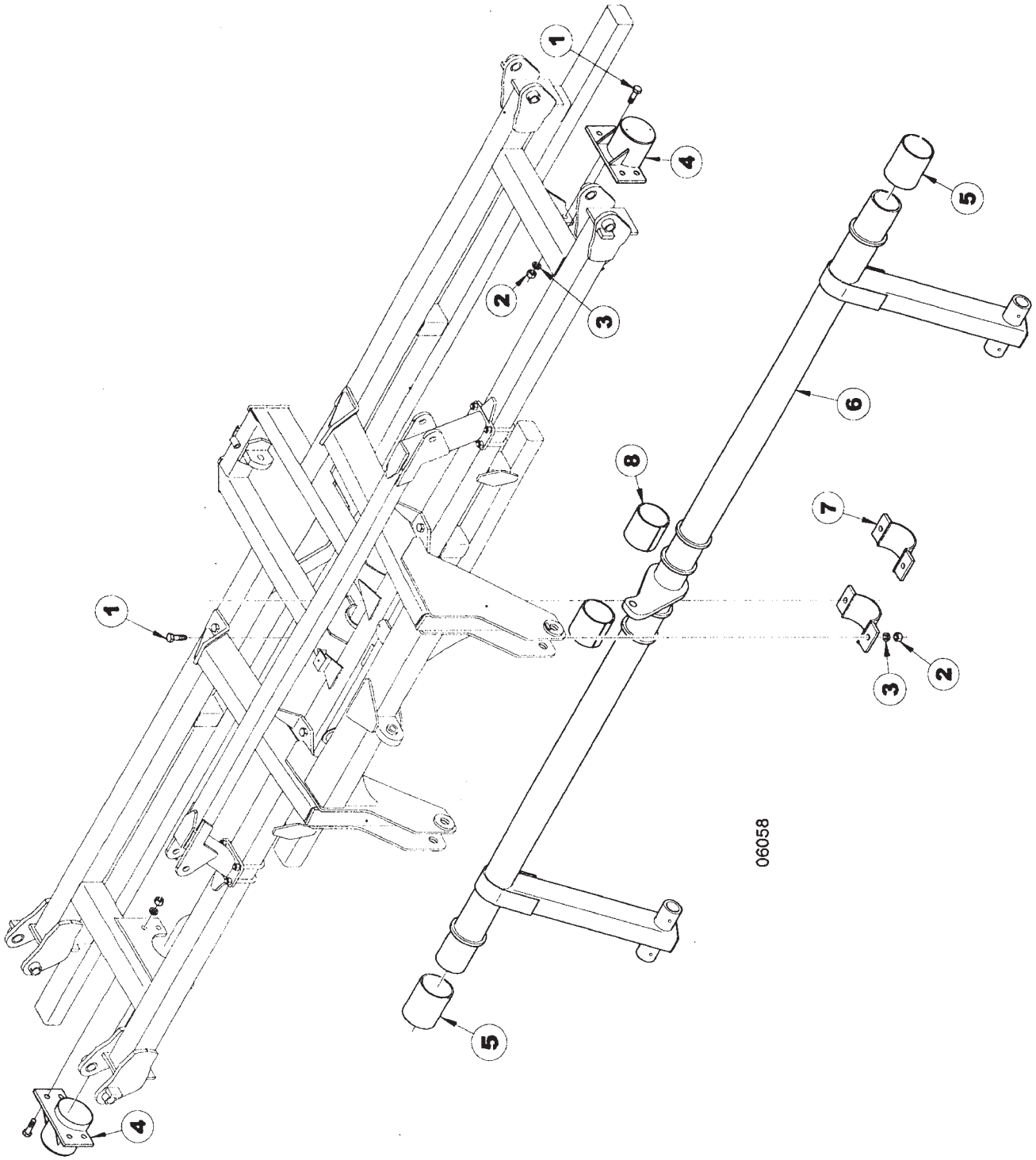
29

LIFT ASSEMBLY (3-SECTION 32'-35'
NC & 5-SECTION 32'-37')

ITEM	NUMBER	QTY	DESCRIPTION
1	SN1220		HEX BOLT, 3/4"-10 X 2", GR 5 Y/D
2	SN106		HEX NUT, 3/4"-10 FULL, GR 5, Y/D
3	SN1040		LOCK WASHER, 3/4" SPLIT TYPE MED, Y/D
4	SN6167		BEARING CAP
5	SN6150		BEARING, LIFT
6	SN9361R		LIFT, CENTER
7	SN6301R		BEARING CAP
8	SN6425		BEARING, LIFT (SPLIT)

I0006057
PR: t05g30n04d0012

LIFT ASSEMBLY (3-SECTION 32'-37'
& 5-SECTION 40'-56')



06058

7212, 7232, & 7252 SOIL CONDITIONER
SERVICE PARTS

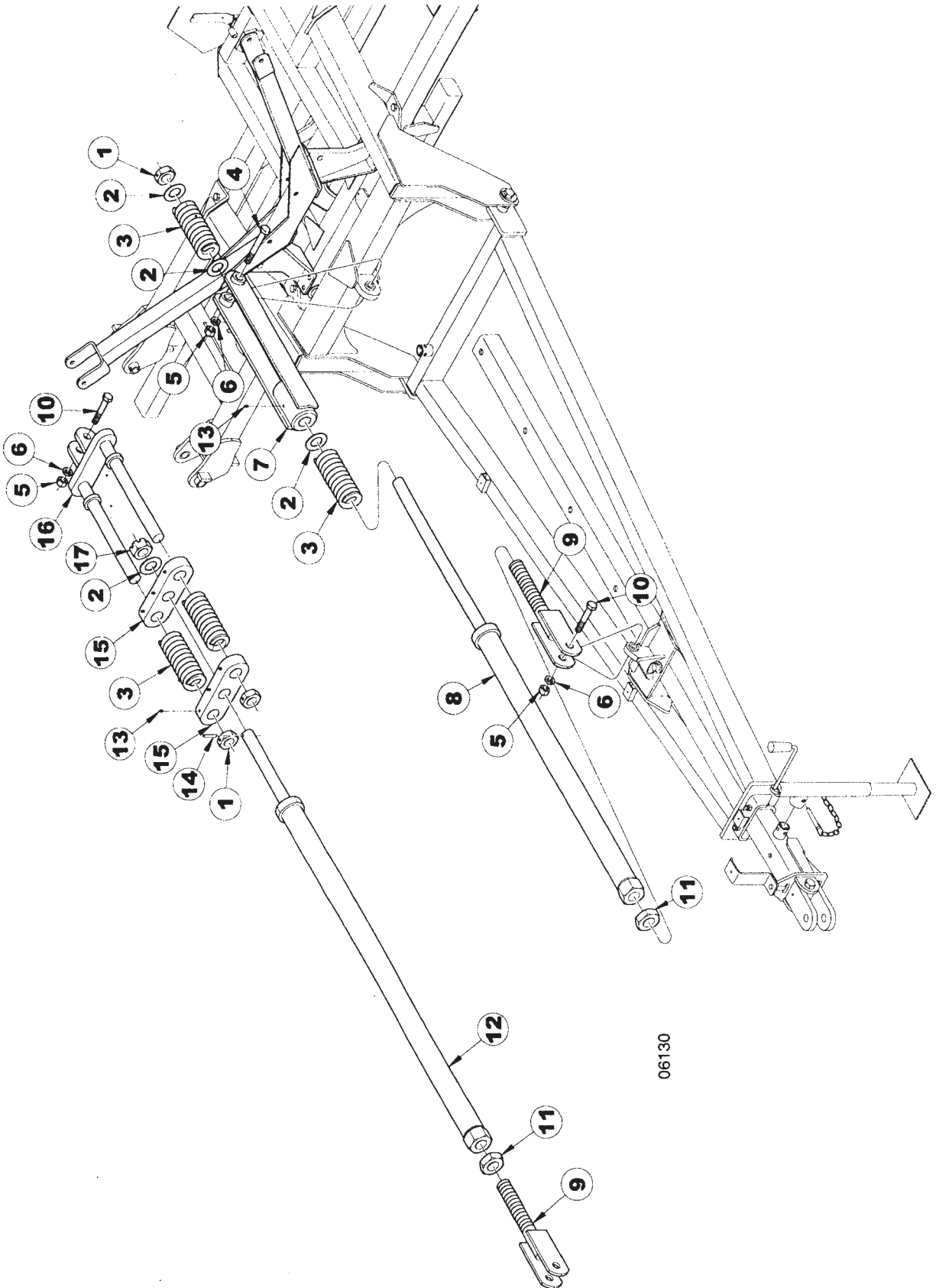
31

LIFT ASSEMBLY (3-SECTION 32'-37'
& 5-SECTION 40'-56')

ITEM	NUMBER	QTY	DESCRIPTION
1	SN1220		HEX BOLT, 3/4"-10 X 2", GR 5 Y/D
2	SN106		HEX NUT, 3/4"-10 FULL, GR 5, Y/D
3	SN1040		LOCK WASHER, 3/4" SPLIT TYPE MED, Y/D
4	SN6167		BEARING CAP
5	SN6150		BEARING, LIFT
6	SN9359R		LIFT, CENTER
7	SN6301R		BEARING CAP
8	SN6425		BEARING, LIFT (SPLIT)

I0006058
PR: t05g30n04d0013

LEVELER ASSEMBLY



06130

**7212, 7232, & 7252 SOIL CONDITIONER
SERVICE PARTS**

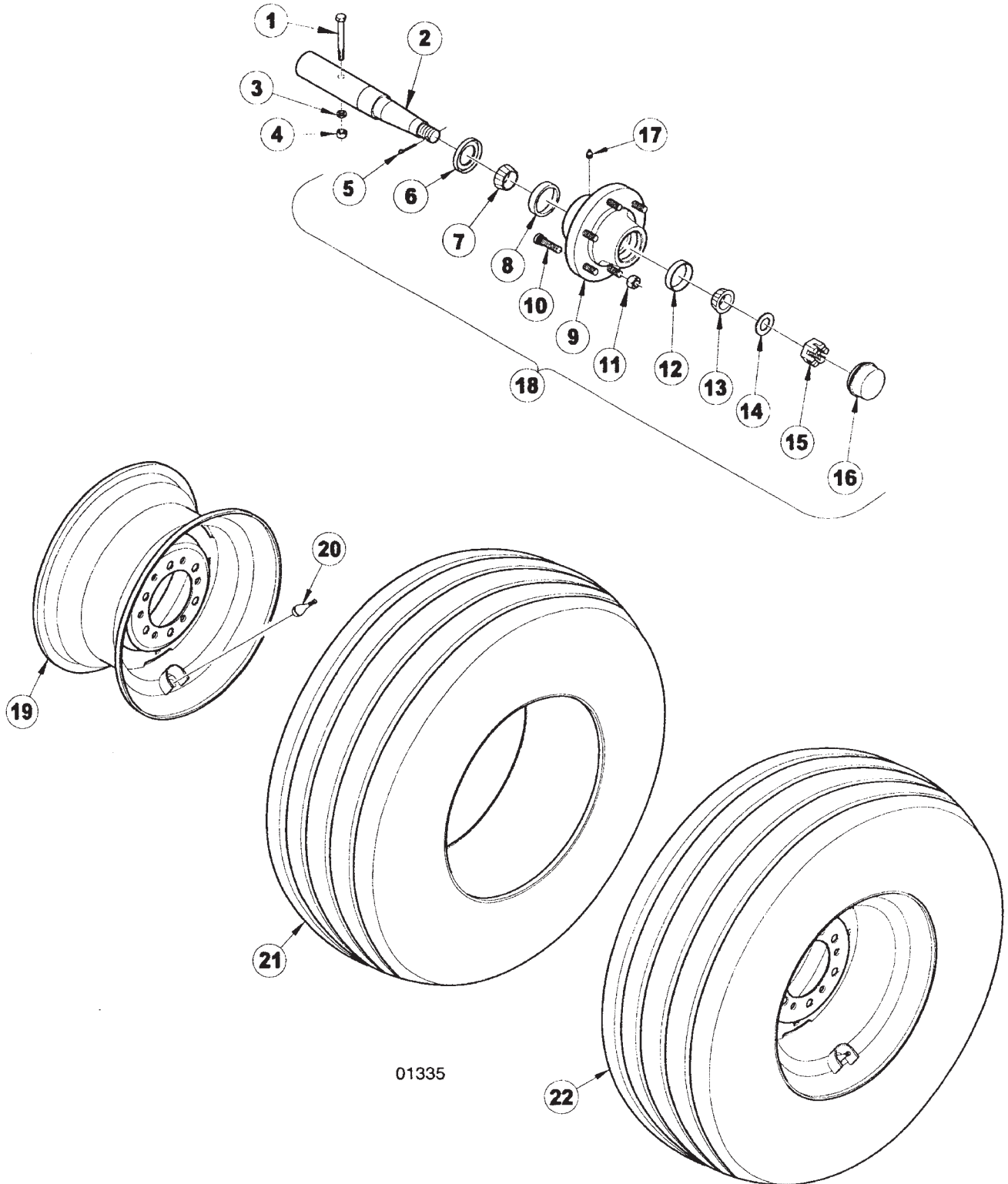
33

LEVELER ASSEMBLY

ITEM	NUMBER	QTY	DESCRIPTION
1	SN1880		JAM NUT, 1 1/2"-6 HEX W/SET SCREW, GR 2, Y/D
2	SN2755		FLAT WASHER, 1 9/16"ID X
3	SN1875		SPRING, 2.938" OD X 1.625" ID X 8 7/8" L COMPRESSION
4	SN1282		HEX BOLT, 1"-8 X 6 1/2", GR 5, Y/D
5	SN110		HEX NUT, 1"-8 FULL, GR 5, Y/D
6	SN1283		LOCK WASHER, 1" SPLIT TYPE MED, Y/D
7	SN10342R		SLIDE, LEVELER SCREW
8	SN10341R		LEVELER, SCREW
9	SN6876		ADJUSTING SCREW, RIGHT, Y/D
10	SN1753		HEX BOLT, 1"-8 X 4" GR5, Y/D
11	SN2088		JAM NUT, 1 3/4"-5 HEX, GR 2, Y/D
12	SN10363		LEVELER, SCREW
13	SN2098-1		GREASE ZERK, 1/8" NPTF, 5/8" L
14	SN3164		ROLL PIN, 5/16" X 2" SPIRAL MEDIUM DUTY, Y/D
15	SN10365		PLATE, GUIDE
16	SN10364		ROD, LEVELER SPRING
17	SN1456		HEX NUT, 1 1/2"-6 FULL SLOTTED GR 2, Y/D
	SN10366R		ASSY, LEVELER SCREW (ITEMS 2, 9, 11-12 & 14)
	SN10367R		ASSY, DOUBLE SPRING (ITEMS 1, 3, 13, 15 & 16)
	SN10343R		ASSY, LEVELER SCREW SGL SPRING, 7202 (ITEMS 1-3, 7-9, 11 & 17)
	SN10368		ASSY, LEVELER SCREW DBL SPRING, 7202 (ITEMS 2, 3, 9, 11-16)

I0006130
PR: t05g30n04d0014

SIX BOLT HUB & SPINDLE ASSEMBLY
W/WHEEL & TIRES



01335

**7212, 7232, & 7252 SOIL CONDITIONER
SERVICE PARTS**

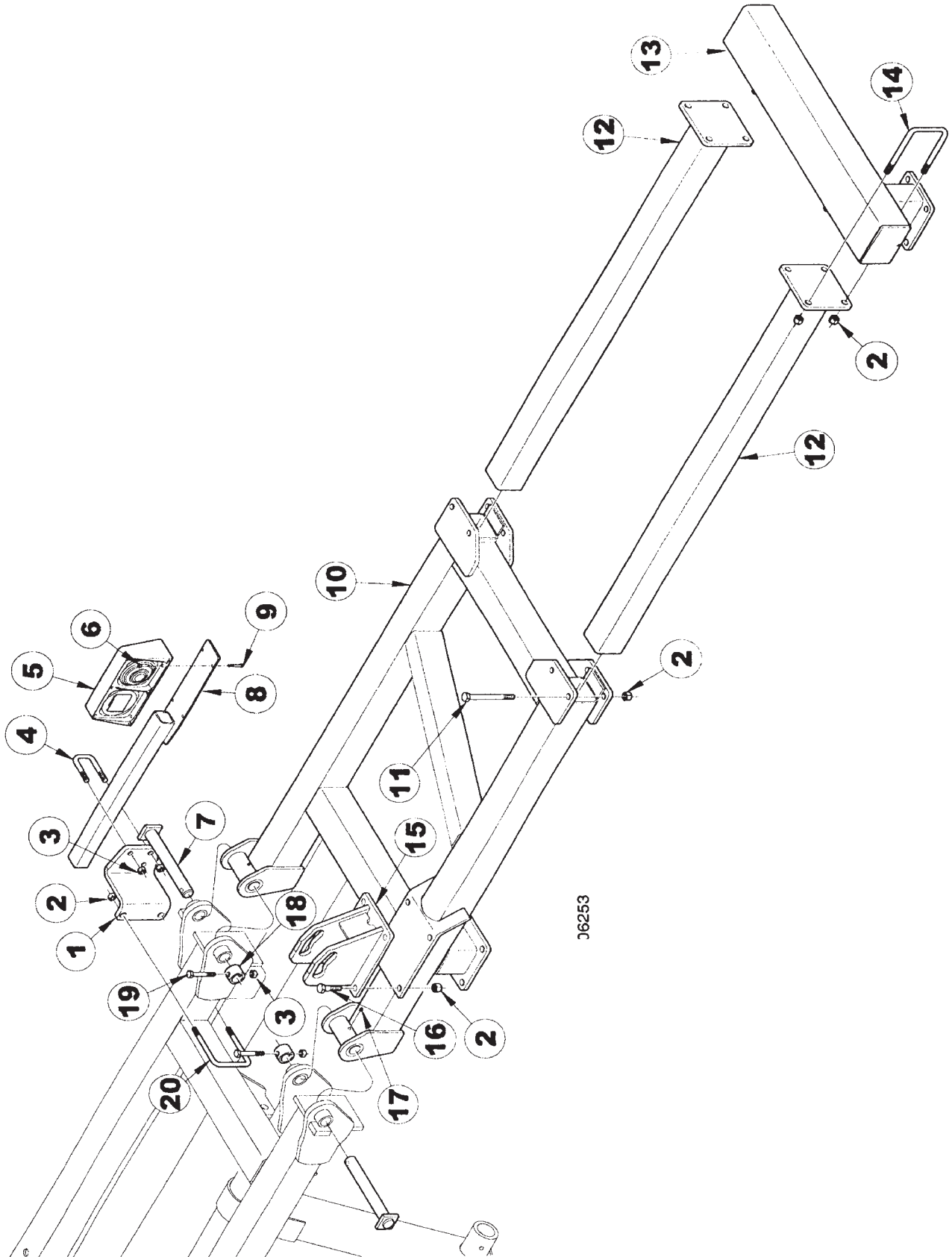
35

**SIX BOLT HUB & SPINDLE ASSEMBLY
W/WHEEL & TIRES**

ITEM	NUMBER QTY	DESCRIPTION
1	SN2585	HEX BOLT, 7/16"-14 X 3 1/2", GR 5, Y/D
2	SN3298	SPINDLE, 2" X 11 3/16" L
3	SN302	LOCKWASHER, 7/16" SPLIT TYPE MED, Y/D
4	SN303	HEX NUT, 7/16"-14 FULL, GR 2, Y/D
5	SN3066	COTTER PIN, 7/32" X 1 1/2"
6	SN3301	TRIPLE LIP SEAL
7	SN1935	BEARING (LM501349)
8	SN1936	RACE (LM501310)
9	SN1937	SIX BOLT HUB, STUDDED W/CUPS AND LUG
10	SN3118	LUG BOLT, 9/16"-18 X 1 7/8" PRESS IN, PL
11	SN3117	LUG NUT, 9/16"-18, GR 5, 90 DEG TAPER, Y/D
12	SN1605	RACE (LM67010)
13	SN1606	BEARING (LM67048)
14	SN3303	WASHER, 1 1/32" ID X 1 3/4" ODX 1/8" THICK, PLAIN
15	SN3302	HEX NUT, 1"-14 FULL SLOTTED GR 2, PLAIN
16	SN1610	DUST CAP, 2.448" OD, Y/D
17	SN2098-6	GREASE ZERK, 1/4"-28, 17/32" L, STR-AIGHT W/TAPER THREADS
18	SN3300	SIX BOLT HUB ASSEMBLY W/3301 SEAL
19	SN5094	WHEEL, 15 X 6, 6-BOLT
20	SN3577	VALVE STEM
21	SN3578	TIRE, 9.5L X 15, 8 PLY, TUBELESS
	SN3579	TIRE, 9.5L X 15, 12 PLY, TUBELESS
22	SN5151	TIRE, 9.5L 8 PLY TUBELESS W/15 X 6 WHEEL ASSY 6 BOLT
	SN5152	TIRE, 9.5L 12 PLY TUBELESS W/ 15 X 6 WH ASSY 6 BT

I0001335
PR: t05g30n04d0015

WING ASSEMBLY (3-SECTION 18'-30')



06253

**7212, 7232, & 7252 SOIL CONDITIONER
SERVICE PARTS**

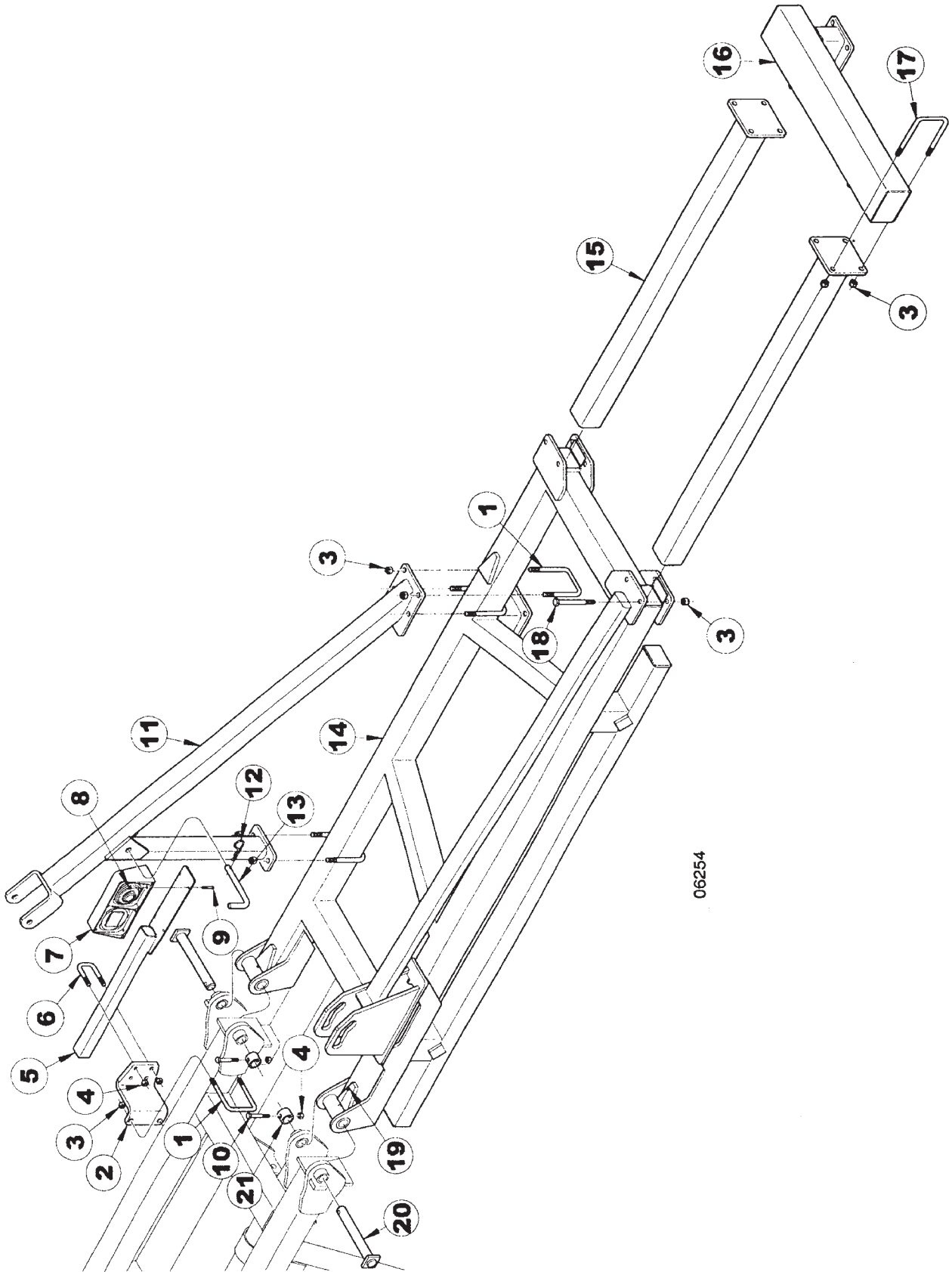
37

WING ASSEMBLY (3-SECTION 18'-30')

ITEM	NUMBER	QTY	DESCRIPTION
1	SN9571R		LIGHT BRACKET
2	SN669-1		LOCK NUT, 5/8" HEX NYLON
3	SN2096		LOCK NUT, 1/2"-13 HEX NYLON INSERT
4	SN2614		U-BOLT, 1/2"-13 X 3" X 2 9/16"W, GR 5, Y/D
5	SN7967		LIGHT KIT W/HARDWARE, EXTENDED HARNESS
6	SN3881		LOCK NUT, 1/4"-20 HEX NYLON INSERT, GR 2, Y/D
7	SN9569		HINGE PIN, 1 1/4" X 10 1/4" (8 3/4")
8	SN9451		MOUNTING ARM, LIGHT
9	SN2750		HEX BOLT, 1/4"-20 X 1 1/4", GR 2, Y/D
10	SN9356		WING FRAME, OUTER
	SN9357		WING FRAME, OUTER
11	SN1672		HEX BOLT, 5/8"-11 X 6", GR 5, Y/D
12	SN9362		EXTENSION
13	SN10353		EXTENSION, OUTER WING
14	SN2984		U-BOLT, 5/8"-11 X 7 1/2" X 4 3/4" W, GR 5, Y/D
15	SN9449		FOLD ANCHOR, BOLT ON
16	SN670		HEX BOLT, 5/8"-11 X 2", GR 5, Y/D
17	SN2098-1		GREASE ZERK, 1/8" NPTF, 5/8" L
18	SN9570		KEEPER, PIN
19	SN112		HEX BOLT, 1/2"-13 X 2 1/2", GR 5, Y/D
20	SN3052		U-BOLT, 5/8"-11 X 5 5/8" X 4 3/4" W, GR 5, Y/D

I0006253
PR: t05g30n04d0016

WING ASSEMBLY (3-SECTION 32'-37'
& 32'-35' NC)



06254

**7212, 7232, & 7252 SOIL CONDITIONER
SERVICE PARTS**

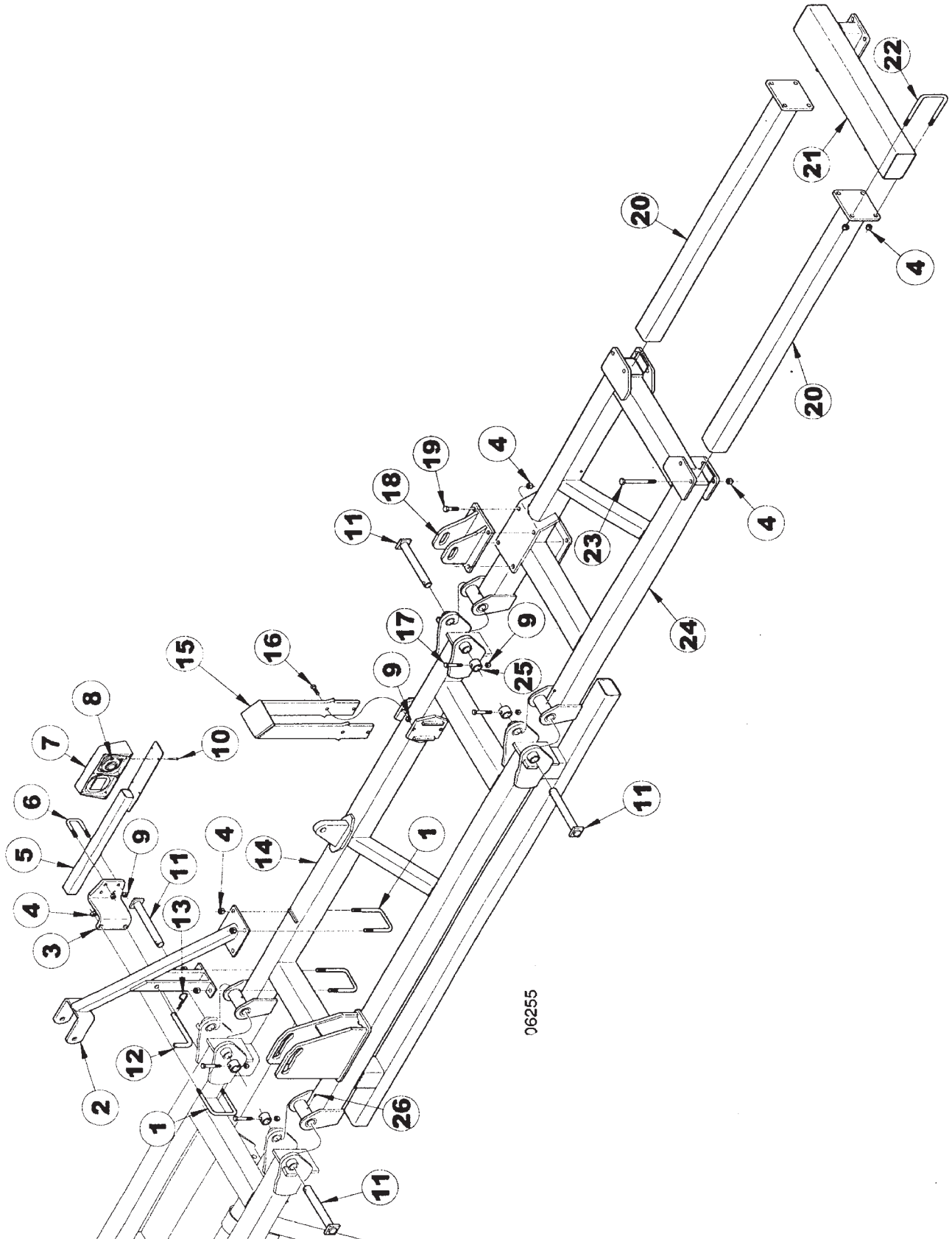
39

**WING ASSEMBLY (3-SECTION 32'-37'
& 32'-35' NC)**

ITEM	NUMBER	QTY	DESCRIPTION
1	SN3052		U-BOLT, 5/8"-11 X 5 5/8" X 4 3/4" W, GR 5, Y/D
2	SN9571R		LIGHT BRACKET
3	SN669-1		LOCK NUT, 5/8" HEX NYLON INSERT, GR 5, Y/D
4	SN2096		LOCK NUT, 1/2"-13 HEX NYLON INSERT
5	SN9451		MOUNTING ARM, LIGHT
6	SN2614		U-BOLT, 1/2"-13 X 3" X 2 9/16"W, GR 5, Y/D
7	SN7967		LIGHT KIT W/HARDWARE, EXTENDED HARNESS
8	SN3881		LOCK NUT, 1/4"-20 HEX NYLON INSERT, GR 2, Y/D
9	SN2750		HEX BOLT, 1/4"-20 X 1 1/4", GR 2, Y/D
10	SN112		HEX BOLT, 1/2"-13 X 2 1/2", GR 5, Y/D
11	SN9560		WING STABILIZER
12	SN71L-2901		PIN CLIP, 3/4"-7/8" SHAFT,.148" DIA, 3 1/8" L
13	SN7744		PIN, 3/4" SPCL, Y/D
14	SN9566		WING FRAME, LEFT
	SN9565R		WING FRAME, RIGHT
15	SN9362		EXTENSION
16	SN10353		EXTENSION, OUTER WING
17	SN2984		U-BOLT, 5/8"-11 X 7 1/2" X 4 3/4" W, GR 5, Y/D
18	SN1672		HEX BOLT, 5/8"-11 X 6", GR 5, Y/D
19	SN2098-1		GREASE ZERK, 1/8" NPTF, 5/8" L
20	SN9569		HINGE PIN, 1 1/4" X 10 1/4" (8 3/4")
21	SN9570		KEEPER, PIN

I0006254
PR: t05g30n04d0017

WING ASSEMBLY (5-SECTION 32'-45')



**7212, 7232, & 7252 SOIL CONDITIONER
SERVICE PARTS**

41

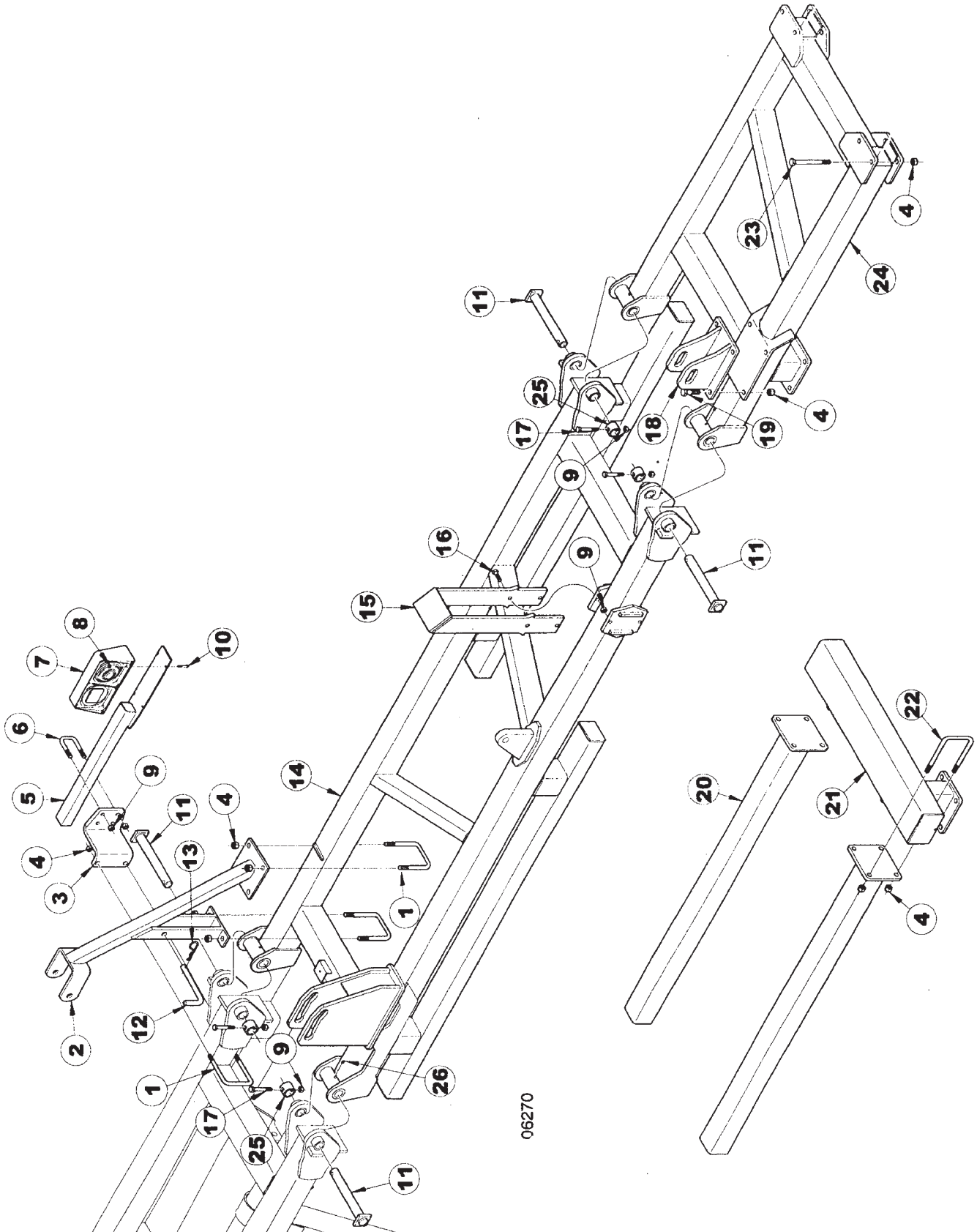
WING ASSEMBLY (5-SECTION 32'-45')

ITEM	NUMBER	QTY	DESCRIPTION
1	SN3052		U-BOLT, 5/8"-11 X 5 5/8" X 4 3/4" W , GR 5, Y/D
2	SN9482		INNER WING STABILIZER
3	SN9571R		LIGHT BRACKET
4	SN669-1		LOCK NUT, 5/8" HEX NYLON
5	SN9451		MOUNTING ARM, LIGHT
6	SN2614		U-BOLT, 1/2"-13 X 3" X 2 9/16"W, GR 5, Y/D
7	SN7967		LIGHT KIT W/HARDWARE, EXTENDED HARNESS
8	SN3881		LOCK NUT, 1/4"-20 HEX NYLON INSERT, GR 2, Y/D
9	SN2096		LOCK NUT, 1/2"-13 HEX NYLON INSERT
10	SN2750		HEX BOLT, 1/4"-20 X 1 1/4",GR 2, Y/D
11	SN9569		HINGE PIN, 1 1/4" X 10 1/4" (8 3/4')
12	SN7744		PIN, 3/4" SPCL, Y/D
13	SN71L-2901		PIN CLIP, 3/4"-7/8" SHAFT,.148" DIA, 3 1/8" L
14	SN9495		INNER WING FRAME, RIGHT (32'-37')
	SN9496		INNER WING FRAME, LEFT (32'-37')
	SN9497		INNER WING FRAME, RIGHT (40'-45')
	SN9498		INNER WING FRAME, LEFT (40'-45')
15	SN9483		OUTER WING STABILIZER
16	SN2045		HEX BOLT, 1/2"-13 X 1 3/4",GR5, Y/D
17	SN112		HEX BOLT, 1/2"-13 X 2 1/2", GR 5, Y/D
18	SN9484		FOLD ANCHOR, BOLT ON
19	SN670		HEX BOLT, 5/8"-11 X 2", GR 5, Y/D
20	SN9362		EXTENSION
21	SN10353		EXTENSION, OUTER WING
22	SN2984		U-BOLT, 5/8"-11 X 7 1/2" X 4 3/4" W, GR 5, Y/D
23	SN1672		HEX BOLT, 5/8"-11 X 6", GR 5, Y/D
24	SN9356		WING FRAME, OUTER
	SN9357		WING FRAME, OUTER
25	SN9570		KEEPER, PIN
26	SN2098-1		GREASE ZERK, 1/8" NPTF, 5/8" L

I0006255
PR: t05g30n04d0018

7212, 7232, & 7252 SOIL CONDITIONER
SERVICE PARTS

WING ASSEMBLY (5-SECTION 45'W-50')



06270

**7212, 7232, & 7252 SOIL CONDITIONER
SERVICE PARTS**

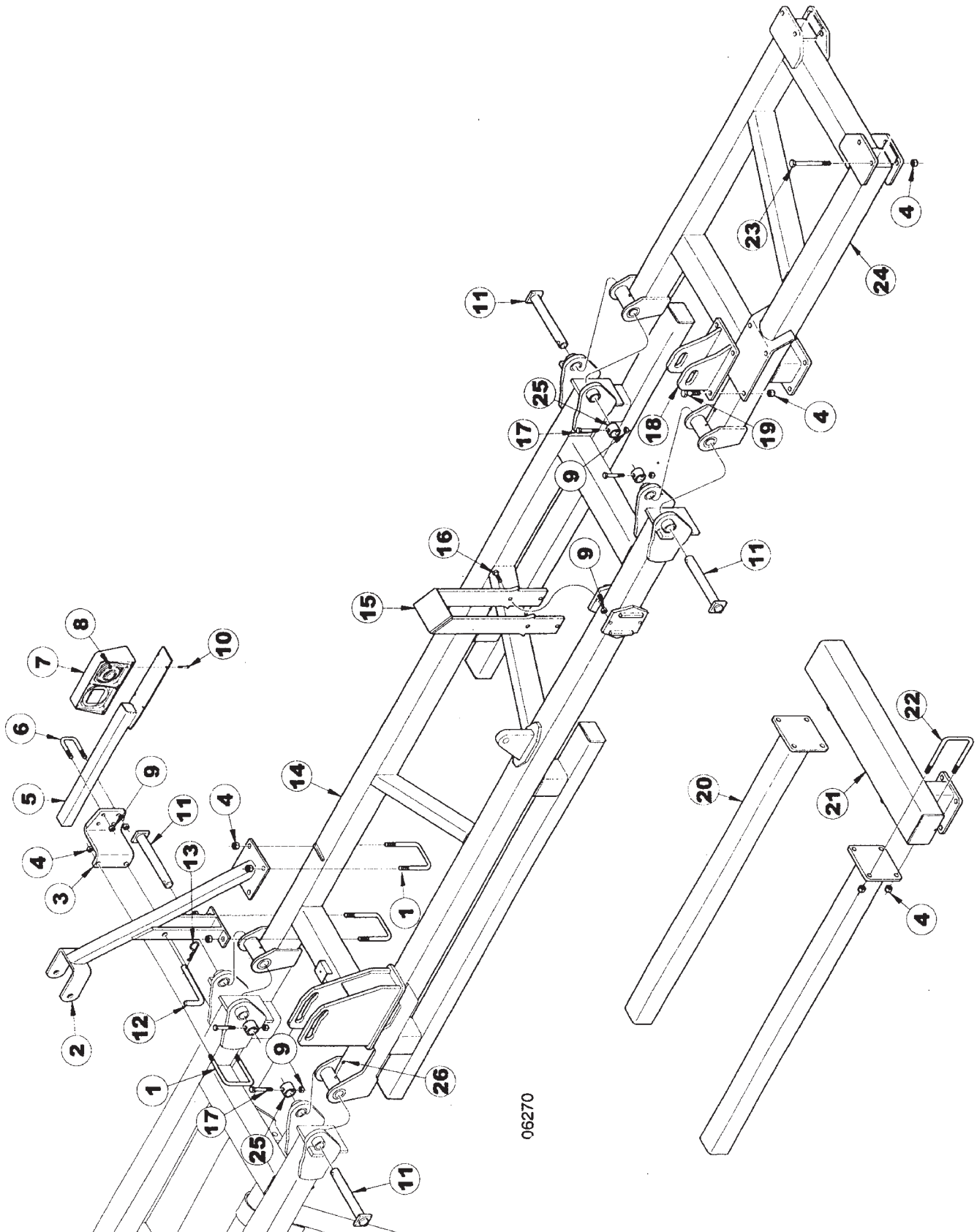
43

WING ASSEMBLY (5-SECTION 45'W-50')

ITEM	NUMBER	QTY	DESCRIPTION
1	SN3052		U-BOLT, 5/8"-11 X 5 5/8" X 4 3/4" W, GR 5, Y/D
2	SN9482		INNER WING STABILIZER
3	SN9571R		LIGHT BRACKET
4	SN669-1		LOCK NUT, 5/8" HEX NYLON
5	SN9451		MOUNTING ARM, LIGHT
6	SN2614		U-BOLT, 1/2"-13 X 3" X 2 9/16"W, GR 5, Y/D
7	SN7967		LIGHT KIT W/HARDWARE, EXTENDED HARNESS
8	SN3881		LOCK NUT, 1/4"-20 HEX NYLON INSERT, GR 2, Y/D
9	SN2096		LOCK NUT, 1/2"-13 HEX NYLON INSERT
10	SN2750		HEX BOLT, 1/4"-20 X 1 1/4",GR 2, Y/D
11	SN9569		HINGE PIN, 1 1/4" X 10 1/4" (8 3/4")
12	SN7744		PIN, 3/4" SPCL, Y/D
13	SN71L-2901		PIN CLIP, 3/4"-7/8" SHAFT,.148" DIA, 3 1/8" L
14	SN10413R		INNER WING FRAME, RIGHT
	SN10414R		INNER WING FRAME, LEFT
15	SN9483		OUTER WING STABILIZER
16	SN2045		HEX BOLT, 1/2"-13 X 1 3/4",GR5, Y/D
17	SN112		HEX BOLT, 1/2"-13 X 2 1/2", GR 5, Y/D
18	SN9484		FOLD ANCHOR, BOLT ON
19	SN670		HEX BOLT, 5/8"-11 X 2", GR 5, Y/D
20	SN9362		EXTENSION
21	SN10353		EXTENSION, OUTER WING
22	SN2984		U-BOLT, 5/8"-11 X 7 1/2" X 4 3/4" W, GR 5, Y/D
23	SN1672		HEX BOLT, 5/8"-11 X 6", GR 5, Y/D
24	SN9356		WING FRAME, OUTER
	SN9357		WING FRAME, OUTER
25	SN9570		KEEPER, PIN
26	SN2098-1		GREASE ZERK, 1/8" NPTF, 5/8" L

I0006270
PR: t05g30n04d0019

WING ASSEMBLY (5-SECTION 52'-56')



06270

**7212, 7232, & 7252 SOIL CONDITIONER
SERVICE PARTS**

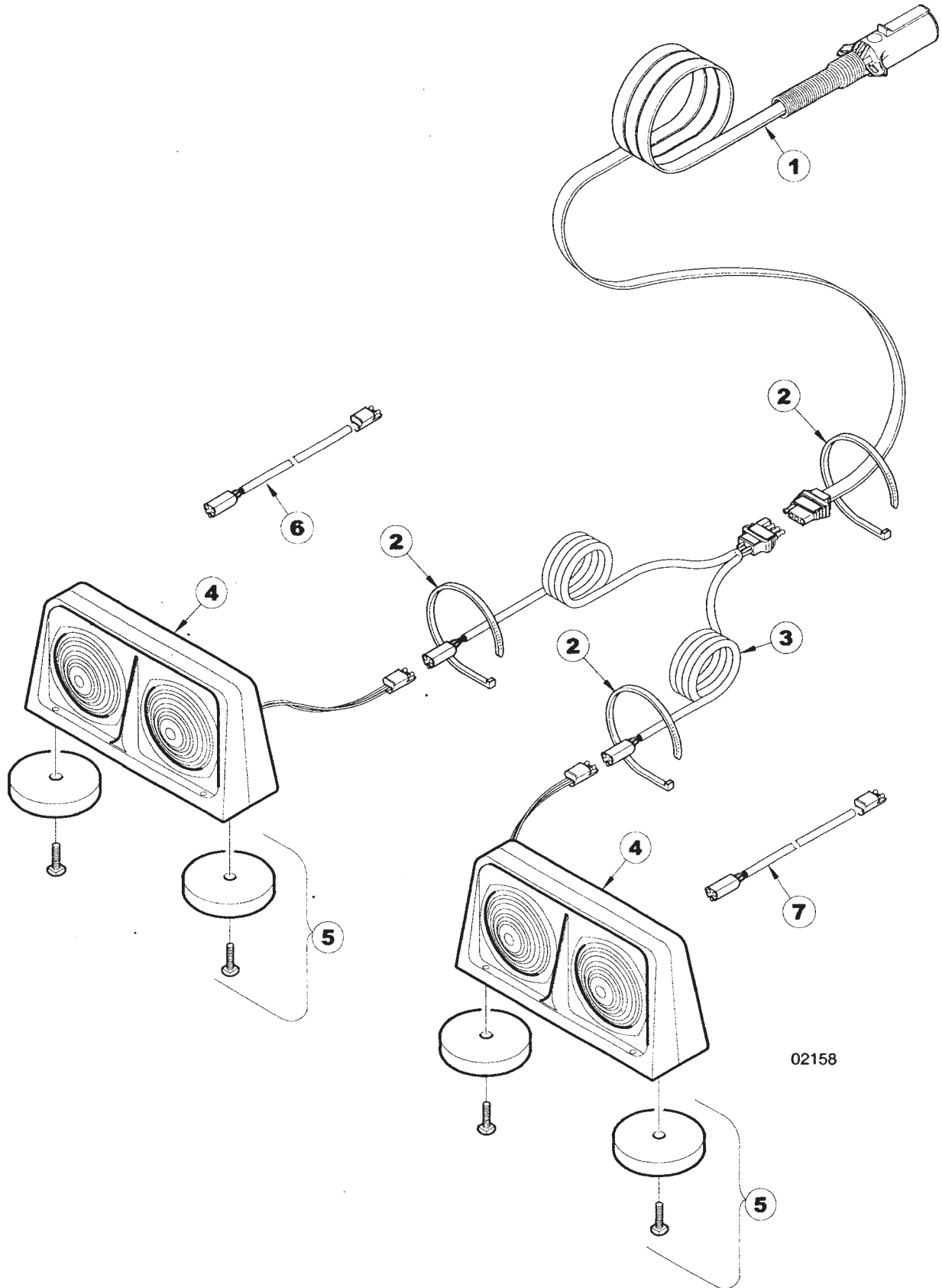
45

WING ASSEMBLY (5-SECTION 52'-56')

ITEM	NUMBER QTY	DESCRIPTION
1	SN3052	U-BOLT, 5/8"-11 X 5 5/8" X 4 3/4" W, GR 5, Y/D
2	SN9482	INNER WING STABILIZER
3	SN12588R	ARM, LIGHT LEFT
	SN12587R	ARM, LIGHT RIGHT
4	SN669-1	LOCK NUT, 5/8"-11 HEX NYLON INSERT, GR 5, Y/D
5	SN10486	SINGLE AG LAMP, RED/BLACK W/BRAKE
6	SN10007	LAMP, SINGLE AMBER FRT/REAR
7	SN2098-1	GREASE ZERK, 1/8" NPTF, 5/8" L
8	SN3881	LOCK NUT, 1/4"-20 HEX NYLON INSERT, GR 2, Y/D
9	SN2096	LOCK NUT, 1/2"-13 HEX NYLON INSERT, GR 8, Y/D
10	SN2750	HEX BOLT, 1/4"-20 X 1 1/4", GR 2, Y/D
11	SN9569	HINGE PIN, 1 1/4" X 10 1/4" (8 3/4")
12	SN7744	PIN, 3/4" SPCL, Y/D
13	SN71L-2901	PIN CLIP, 3/4"-7/8" SHAFT, .148" DIA, 3 1/8" L
14	SN12605R	INNER WING FRAME, LEFT
	SN12604R	INNER WING FRAME, RIGHT
15	SN12589R	STABILIZER, OUTER WING
16	SN6101	CARRIAGE BOLT, 1/2"-13 X 1 3/4", GR 5, Y/D
17	SN112	HEX BOLT, 1/2"-13 X 2 1/2", GR 5, Y/D
18	SN12590R	LINK, FOLD-UP
19	SN10029	PIN, 1" X 3 1/4" (2 3/16"), Y/D
20	SN3164	ROLL PIN, 5/16" X 2" SPIRAL MEDIUM DUTY, Y/D
21	SN12607R	OUTER WING FRAME, LEFT
	SN12606R	OUTER WING FRAME, RIGHT
22	SN1672	HEX BOLT, 5/8"-11 X 6", GR 5, Y/D
23	SN9362	EXTENSION
24	SN10353	EXTENSION, OUTER WING
25	SN9570	KEEPER, PIN

I0006270
PR: t05g30n04d0020

LIGHT KIT ASSEMBLY



02158

7212, 7232, & 7252 SOIL CONDITIONER
SERVICE PARTS

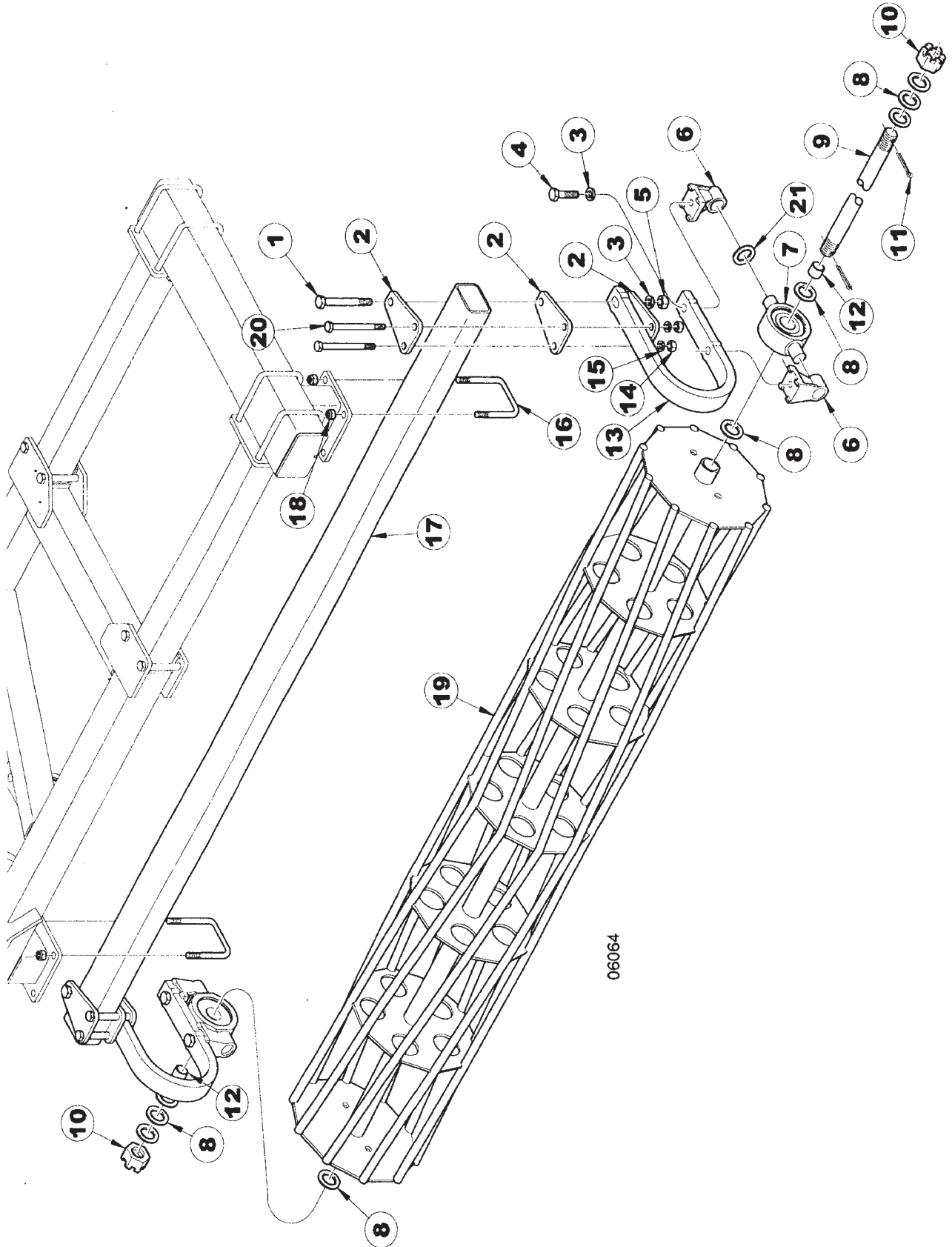
47

LIGHT KIT ASSEMBLY

ITEM	NUMBER	QTY	DESCRIPTION
1	SN7968		HARNESS, 40' STR SEC, SHIELDED FESTOON CABLE W/CONNECTORS
2	SN2587		PLASTIC HOSE STRAP, 21 1/2" L
3	SN7969		HARNESS, 25' WISHBONE W/FLAT & TRIANGULAR CONNECTORS
4	SN5845		DUAL LAMP, AMBER FT/REAR & RED REAR, LEFT
	SN5844		DUAL LAMP, AMBER FT/REAR & RED REAR, RIGHT
5	SN5857		MAGNET KIT (MAGNET KIT NOT REQUIRED IN THIS APPLICATION)
6	SN5849		HARNESS, 5' EXTENSION W/TRIAN-GULAR
7	SN5848		HARNESS, 5' EXTENSION W/TRIAN-GULAR CONNECTORS, RIGHT

I0002158
PR: t05g30n04d0021

SOIL CONDITIONER REEL ASSEMBLY



06064

**7212, 7232, & 7252 SOIL CONDITIONER
SERVICE PARTS**

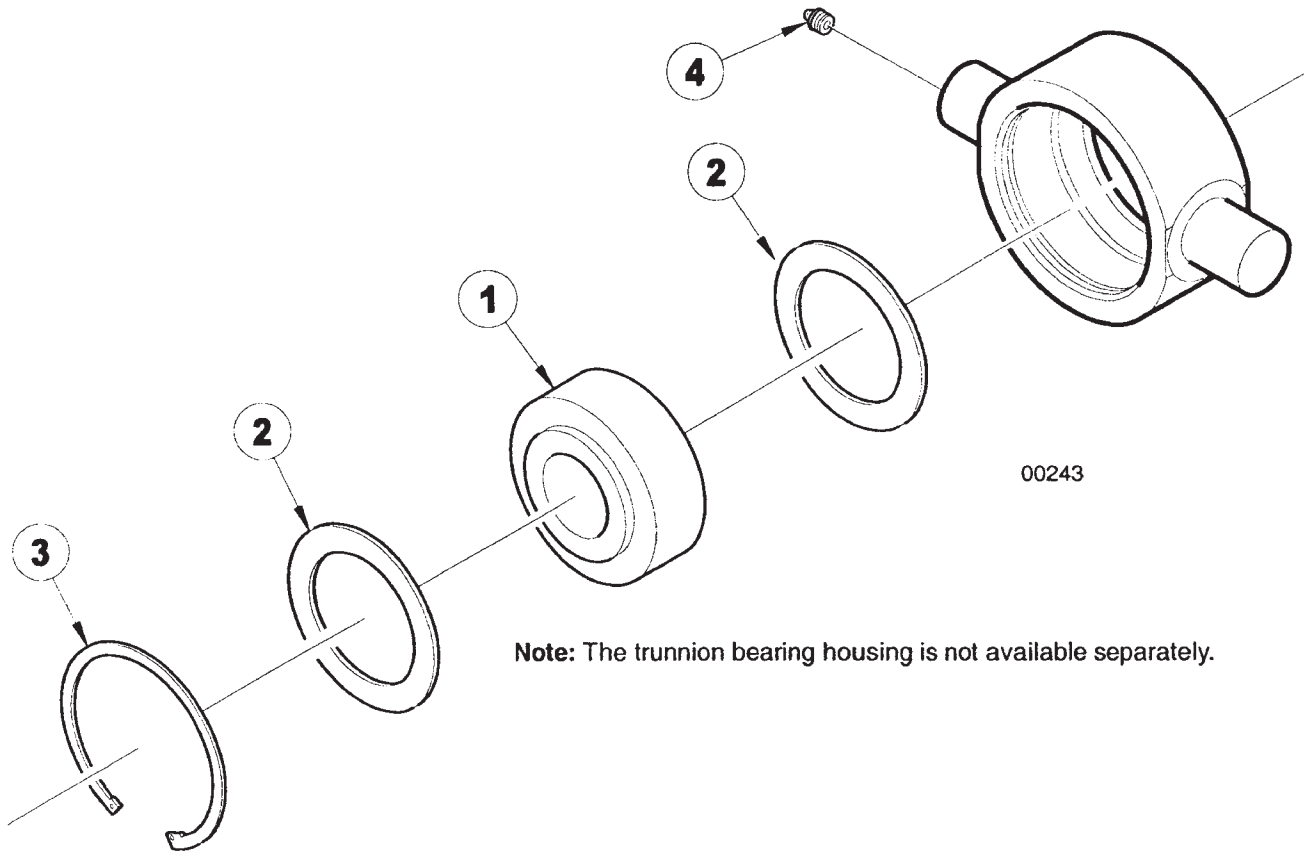
49

SOIL CONDITIONER REEL ASSEMBLY

ITEM	NUMBER	QTY	DESCRIPTION
1	SN1791		HEX BOLT, 3/4"-10 X 6 1/2", GR 5, Y/D
2	SN9404		C-FLEX MOUNTING PLATE
3	SN1040		LOCK WASHER, 3/4" SPLIT TYPE MED, Y/D
4	SN1122		HEX BOLT, 3/4"-10 X 2 1/2", GR 5, Y/D
5	SN106		HEX NUT, 3/4"-10 FULL, GR 5, Y/D
6	SN3096		TRUNNION BEARING MOUNT
7	SN3090		TRUNNION BEARING COMPLETE
8	SN2755		FLAT WASHER, 1 9/16" ID X 2 13/16" OD, 10 GA, Y/D
9	SN5528		SHAFT, 55 5/8", 1 1/2" DIA
	SN5545		SHAFT, 70 5/8", 1 1/2" DIA
	SN5546		SHAFT, 85 5/8", 1 1/2" DIA
	SN5547		SHAFT, 100 5/8", 1 1/2" DIA
	SN7946		SHAFT, 115 5/8", 1 1/2" DIA
10	SN1456		HEX NUT, 1 1/2"-6 FULL SLOTTED GR 2, Y/D
11	SN108		COTTER PIN, 5/16" X 2 1/2", Y/D
12	SN5527		BUSHING
13	SN2761		SHANK, 1" C-FLEX
14	SN669		HEX NUT, 5/8" FULL, GR 5, Y/D
15	SN668		LOCK WASHER, 5/8" SPLIT TYPE MED, Y/D
16	SN3306		U-BOLT, 5/8"-11 X 4 1/2" X 4 5/8" W, GR 5, Y/D
17	SN9416		GANG BAR, 56"L
	SN9417		GANG BAR, 71"L
	SN9400		GANG BAR, 86"L
	SN9418		GANG BAR, 101"L
	SN9453		GANG BAR, 116" L
18	SN669-1		LOCK NUT, 5/8" HEX NYLON
19	SN10024		REEL, 45", SOIL CONDITIONER
	SN10025		REEL, 60", SOIL CONDITIONER
	SN10026		REEL, 75", SOIL CONDITIONER
	SN10027		REEL, 90", SOIL CONDITIONER
	SN10028		REEL, 105", SOIL CONDITIONER
20	SN1308		HEX BOLT, 5/8"-11 X 6 1/2", GR 5, Y/D
21	SN3095		FLAT WASHER, 1 1/2" ID X 2 1/4" OD, 10 GA, Y/D
	SN10346		ASSY, 45" REEL SOIL CONDITIONER (ITEMS 7-12 & 19)
	SN10347		ASSY, 60" REEL SOIL CONDITIONER (ITEMS 7-12 & 19)
	SN10348		ASSY, 75" REEL SOIL CONDITIONER (ITEMS 7-12 & 19)
	SN10349		ASSY, 90" REEL SOIL CONDITIONER (ITEMS 7-12 & 19)
	SN10350		ASSY, 105" REEL SOIL CONDITIONER (ITEMS 7-12 & 19)

I0006064
PR: t05g30n04d0022

TRUNNION BEARING ASSEMBLY.



Note: The trunnion bearing housing is not available separately.

7212, 7232, & 7252 SOIL CONDITIONER
SERVICE PARTS

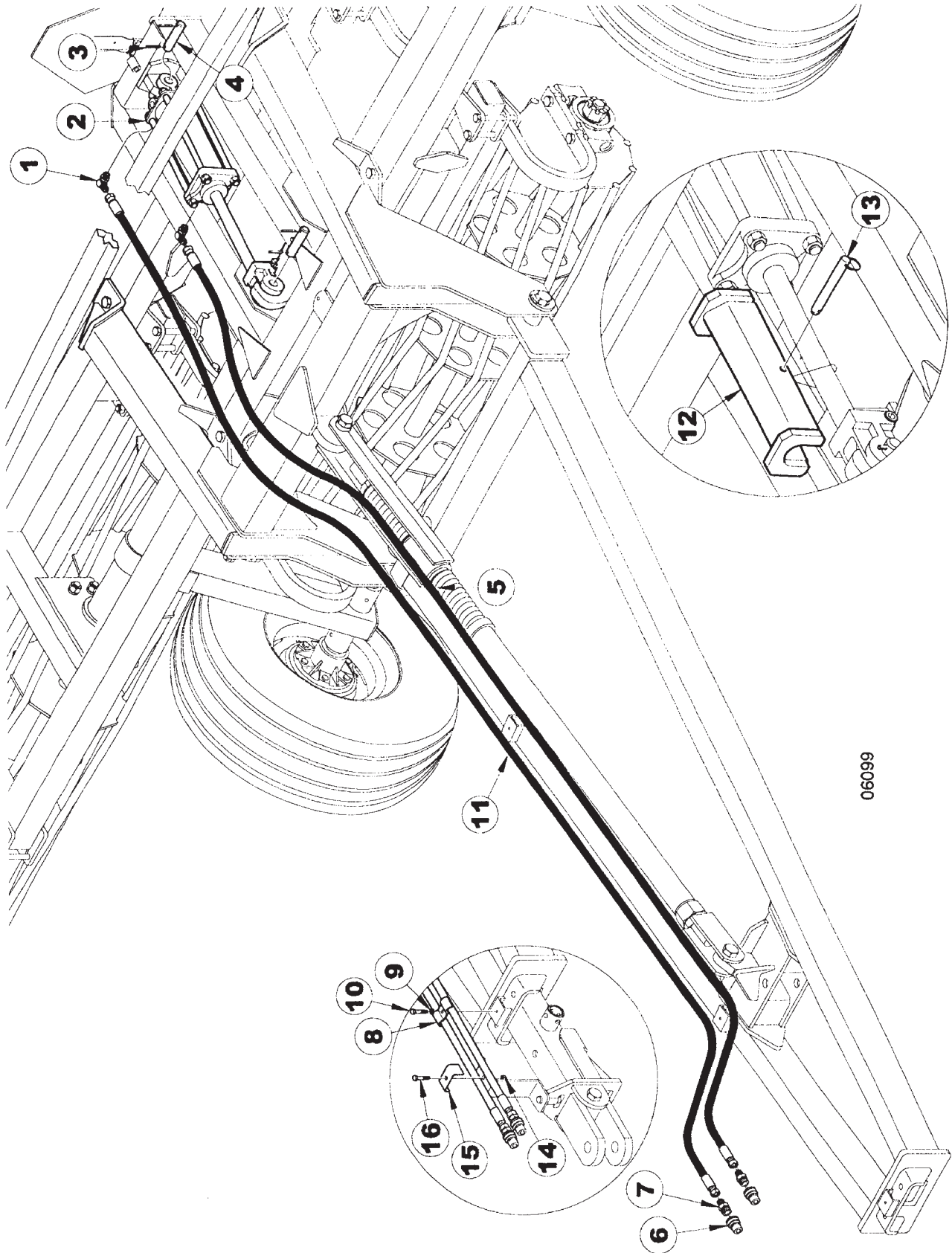
51

TRUNNION BEARING ASSEMBLY.

ITEM	NUMBER	QTY	DESCRIPTION
1	SN3091		SUNFLOWER HOUSING, BCA BEARING TRUNNION BEARING REPLACEMENT
2	SN4924		TRUNNION BEARING SHIELD (BCA)
3	SN3094		TRUNNION BEARING RETAINER (FAFNIR)
4	SN2098-1		GREASE ZERK, 1/8" NPTF, 5/8" L
			TRUNNION BEARING SHIELD SPECIFICATIONS
	SN4924		2.8375" I.D. X 3.929" O.D. X.100" THICK
			TRUNNION BEARING RETAINER THICKNESS
	SN3094		.109" THICK

I0000243
PR: t05g30n04d0023

HYDRAULICS (RIGID MACHINE)



**7212, 7232, & 7252 SOIL CONDITIONER
SERVICE PARTS**

HYDRAULICS (RIGID MACHINE)

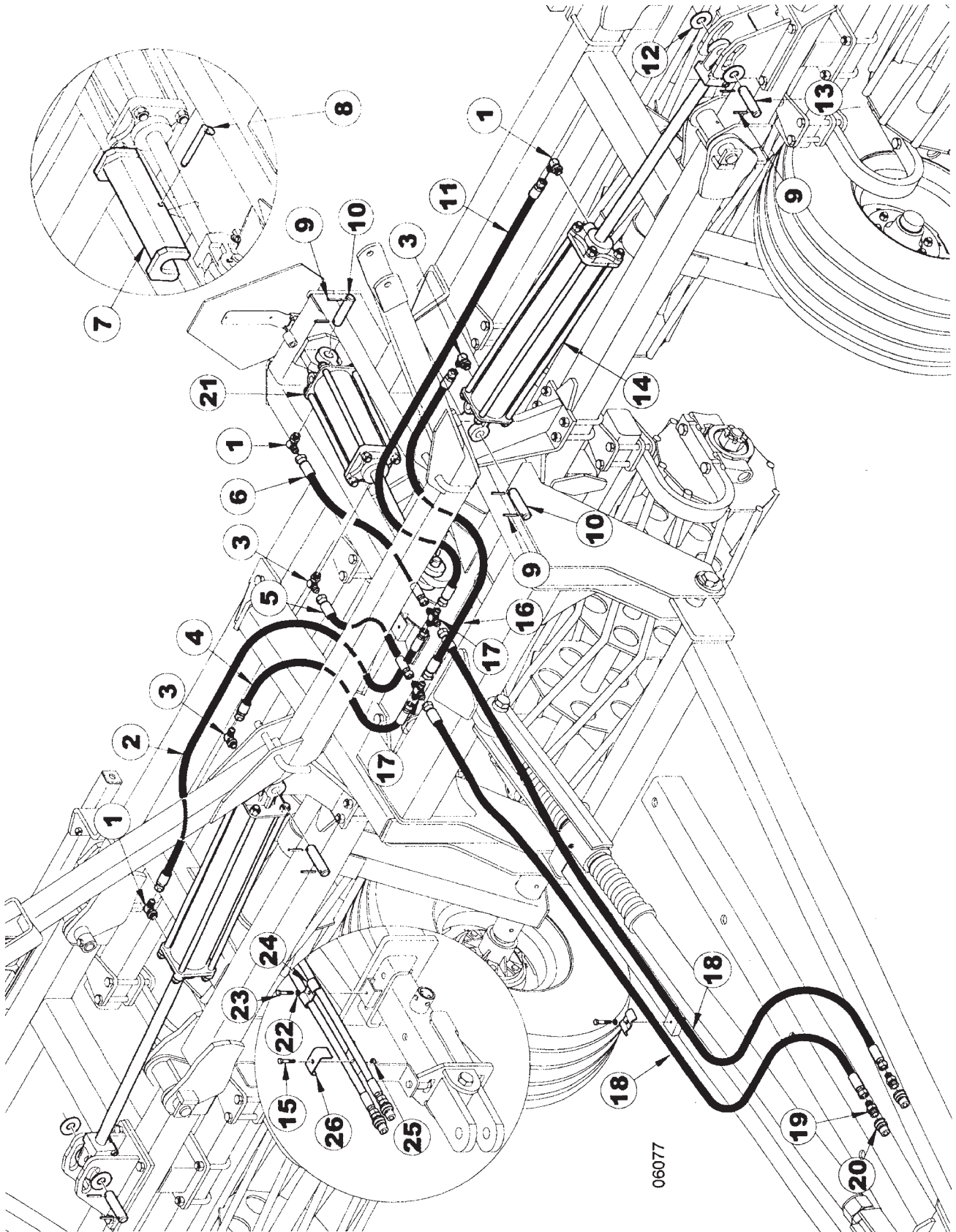
ITEM	NUMBER	QTY	DESCRIPTION
1	SN4454		90 DEG STR THREAD ELBOW, 3/4"-16
2	SN9395R		CYLINDER, 3 1/2" X 10"(22 1/4"CPC) CROSS (*VERSION 1, PRIOR TO 11/03/03)
	SN12004R		CYLINDER, 3 1/2" X 10" (22 1/4" CPC) ORB CROSS, 3000 PSI (*VERSION 2, 11/03/03 & LATER)
3	SN3164		ROLL PIN, 5/16" X 2" SPIRAL MEDIUM
4	SN5339		PIN, 1" X 4 1/16" (3"), Y/D
5	SN4240002		HOSE, 3/8" X 240" L, FEMALE ENDS
6	SN3253		HYDRAULIC COUPLER, MALE HALF
7	SN2425		MALE CONNECTOR, 3/4"-16 MF X 1/2-14 MPT
8	SN5302		PIPE CLAMP, 3/8" BOLT HOLE, Y/D
9	SN176		LOCK WASHER, 3/8" SPLIT TYPE MED, Y/D
10	SN3984		HEX BOLT, 3/8"-16 X 1 1/4", GR 5, Y/D
11	SN4250002		HOSE, 3/8" X 250" L, FEMALE ENDS
12	SN7785R		TRANSPORT LOCK
13	SN5201		BALL LOCK PIN, 3/8X3(2 5/
14	SN3567		LOCK NUT, 3/8"-16 HEX NYLON INSERT, GR 2, Y/D
15	SN2389		ADJUSTMENT ROD, HD GAUGE
16	SN175		HEX BOLT, 3/8"-16 X 1 1/2", GR 5, Y/D

*NOTE:WHEN ORDERING HYDRAULIC CYLINDER COMPONENTS, BE SURE TO NOTE THE PART NUMBER AND THE CYLINDER PSI. (LOCATED ON THE CYLINDER DECAL) AS THEY CONTAIN DIFFERENT COMPONENTS. OLDER CYLINDERS WERE 2500 PSI. AND THE NEWER CYLINDERS ARE 3000 PSI. IDENTIFYING THE PART # OF THE CYLINDER IS EXTREMELY IMPORTANT WHEN ORDERING PARTS TO ENSURE PROPER OPERATION OF THE HYDRAULIC CYLINDER.

WARNING
THESE PARTS ARE IMPORTANT TO THE SAFETY OF THIS EQUIPMENT AND THOSE WHO OPERATE IT. USE ONLY EXACT REPLACEMENT PARTS TO PREVENT HYDRAULIC FAILURE. BEFORE REPLACING THESE PARTS, REVIEW AND FOLLOW THE INSTRUCTIONS IN THE SAFETY AND OPERATING SECTIONS OF THIS MANUAL.

I0006099
PR: t05g30n04d0024

HYDRAULICS (3-SECTION 18'-30')



06077

**7212, 7232, & 7252 SOIL CONDITIONER
SERVICE PARTS**

HYDRAULICS (3-SECTION 18'-30')

ITEM	NUMBER	QTY	DESCRIPTION
1	SN4455		90 DEG STR THD ELBOW, 3/4"-16 MF X 3/4"-16 MOR W/1/16" REST
2	SN4040002		HOSE, 3/8" X 40" L, FEMALE ENDS (18'-25')
	SN4055002		HOSE, 3/8" X 55" L, FEMALE ENDS (28' & 30')
3	SN4454		90 DEG STR THREAD ELBOW, 3/4"-16
4	SN4018002		HOSE, 3/8" X 18" L, FEMALE ENDS (18'-25')
	SN4030002		HOSE, 3/8" X 30" L, FEMALE ENDS (28' & 30')
5	SN4022002		HOSE, 3/8" X 22" L, FEMALE ENDS
6	SN4036002		HOSE, 3/8" X 36" L, FEMALE ENDS
7	SN7785R		TRANSPORT LOCK
8	SN12268		PIN, WIRE LOCK 3/8" X 2 1/2", Y/D
9	SN3164		ROLL PIN, 5/16" X 2" SPIRAL MEDIUM DUTY, Y/D
10	SN5339		PIN, 1" X 4 1/16" (3"), Y/D
11	SN4054002		HOSE, 3/8" X 54" L, FEMALE ENDS (18'-25')
	SN4067002		HOSE, 3/8" X 67" L, FEMALE ENDS (28' & 30')
12	SN245		FLAT WASHER, 1" WIDE RIM, Y/D
13	SN5251		PIN, 1" X 5 13/16" (4 1/2"), Y/D

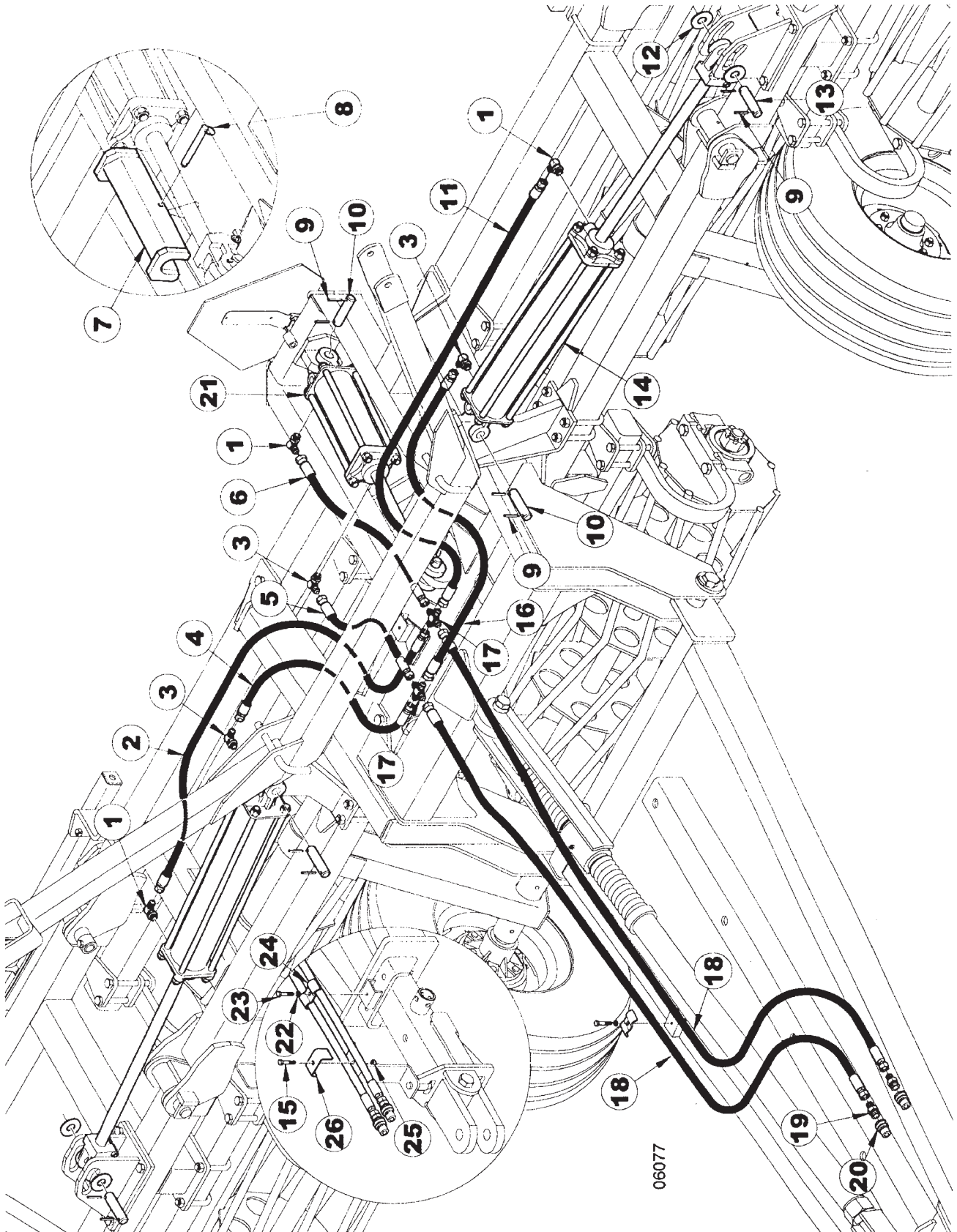
*NOTE:WHEN ORDERING HYDRAULIC CYLINDER COMPONENTS, BE SURE TO NOTE THE PART NUMBER AND THE CYLINDER PSI. (LOCATED ON THE CYLINDER DECAL) AS THEY CONTAIN DIFFERENT COMPONENTS. OLDER CYLINDERS WERE 2500 PSI. AND THE NEWER CYLINDERS ARE 3000 PSI. IDENTIFYING THE PART # OF THE CYLINDER IS EXTREMELY IMPORTANT WHEN ORDERING PARTS TO ENSURE PROPER OPERATION OF THE HYDRAULIC CYLINDER.

WARNING
THESE PARTS ARE IMPORTANT TO THE SAFETY OF THIS EQUIPMENT AND THOSE WHO OPERATE IT. USE ONLY EXACT REPLACEMENT PARTS TO PREVENT HYDRAULIC FAILURE. BEFORE REPLACING THESE PARTS, REVIEW AND FOLLOW THE INSTRUCTIONS IN THE SAFETY AND OPERATING SECTIONS OF THIS MANUAL.

CONTINUED

I0006077
PR: t05g30n04d0025

HYDRAULICS (3-SECTION 18'-30')



**7212, 7232, & 7252 SOIL CONDITIONER
SERVICE PARTS**

57

HYDRAULICS (3-SECTION 18'-30')

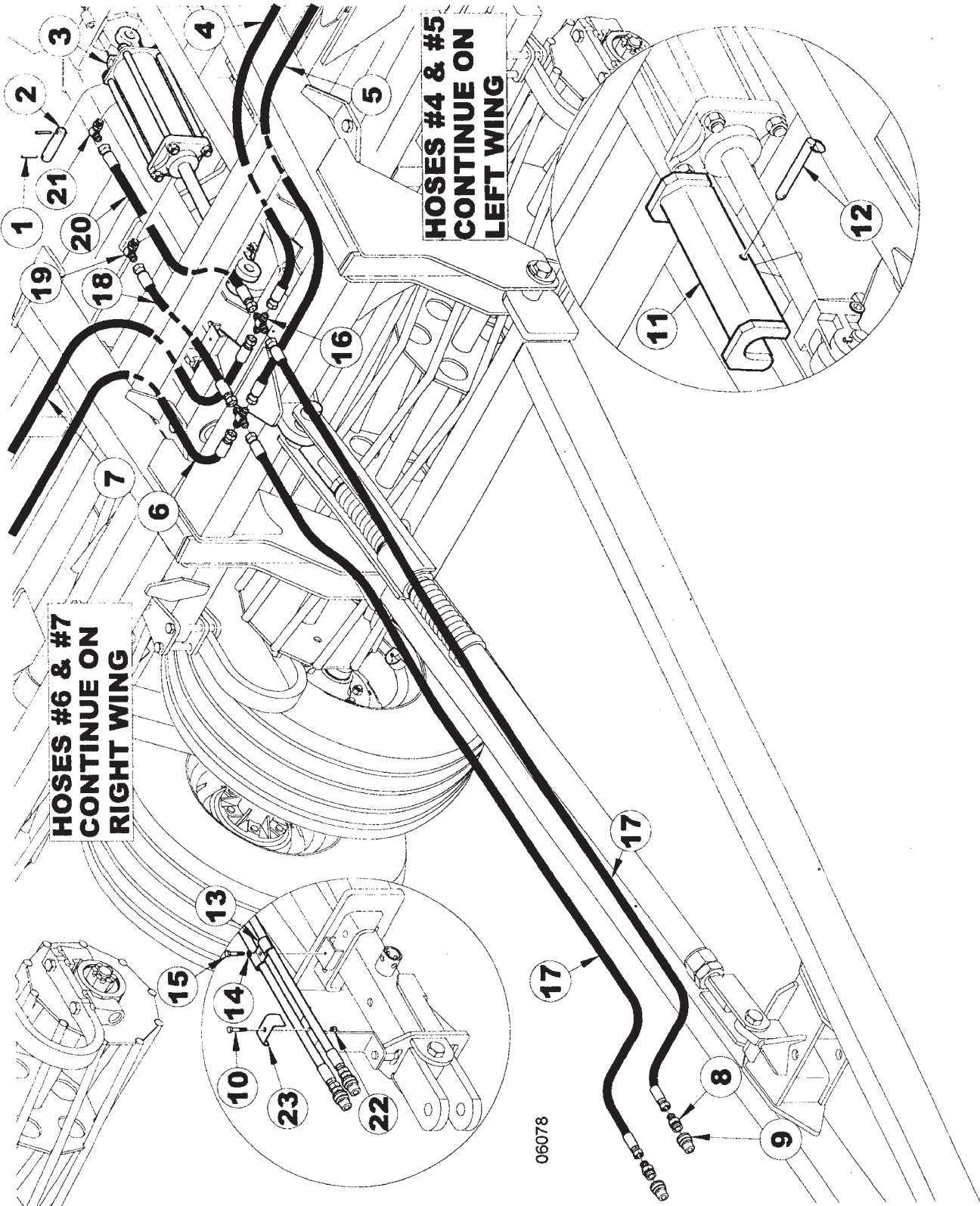
ITEM	NUMBER	QTY	DESCRIPTION
14	SN7841		CYLINDER, 3 1/2" X 24" (34 1/4 CPC) ORB COMMAND, CROSS (*VERSION 1)
	SN12020		CYLINDER, 3 1/2" X 24" (34 1/4 CPC) ORB CROSS, 3000 PSI (*VERSION 2)
15	SN175		HEX BOLT, 3/8"-16 X 1 1/2", GR 5, Y/D
16	SN4030002		HOSE, 3/8" X 30" L, FEMALE ENDS (18'-25')
	SN4039002		HOSE, 3/8" X 39" L, FEMALE ENDS (28' & 30')
17	SN4482		UNION CROSS, 3/4"-16 MF
18	SN4252002		HOSE, 3/8" X 252" L, FEMALE ENDS (18'-25')
	SN4285002		HOSE, 3/8" X 285" L, FEMALE ENDS (28' & 30')
19	SN2425		MALE CONNECTOR, 3/4"-16 MF X 1/2-14 MPT
20	SN3253		HYDRAULIC COUPLER, MALE HALF
21	SN6635		CYLINDER, 4" X 10" (22 1/4"CPC) ORB (*VERSION 1, PRIOR TO 10/22/03)
	SN12026		CYLINDER, 4" X 10" (22 1/4" CPC) ORB CROSS, 3000 PSI (*VERSION 2, 10/22/03 & LATER)
22	SN176		LOCK WASHER, 3/8" SPLIT TYPE MED, Y/D
23	SN3984		HEX BOLT, 3/8"-16 X 1 1/4", GR 5, Y/D
24	SN5302		PIPE CLAMP, 3/8" BOLT HOLE, Y/D
25	SN3567		LOCK NUT, 3/8"-16 HEX NYLON INSERT, GR 2, Y/D
26	SN2339		BRACKET CLAMP, Y/D

*NOTE:WHEN ORDERING HYDRAULIC CYLINDER COMPONENTS, BE SURE TO NOTE THE PART NUMBER AND THE CYLINDER PSI. (LOCATED ON THE CYLINDER DECAL) AS THEY CONTAIN DIFFERENT COMPONENTS. OLDER CYLINDERS WERE 2500 PSI. AND THE NEWER CYLINDERS ARE 3000 PSI. IDENTIFYING THE PART # OF THE CYLINDER IS EXTREMELY IMPORTANT WHEN ORDERING PARTS TO ENSURE PROPER OPERATION OF THE HYDRAULIC CYLINDER.

WARNING
THESE PARTS ARE IMPORTANT TO THE SAFETY OF THIS EQUIPMENT AND THOSE WHO OPERATE IT. USE ONLY EXACT REPLACEMENT PARTS TO PREVENT HYDRAULIC FAILURE. BEFORE REPLACING THESE PARTS, REVIEW AND FOLLOW THE INSTRUCTIONS IN THE SAFETY AND OPERATING SECTIONS OF THIS MANUAL.

I0006077
PR: t05g30n04d0025

HYDRAULICS (3-SECTION 32'-35' NC &
32'-37' CENTER)



**7212, 7232, & 7252 SOIL CONDITIONER
SERVICE PARTS**

59

**HYDRAULICS (3-SECTION 32'-35' NC &
32'-37' CENTER)**

ITEM	NUMBER	QTY	DESCRIPTION
1	SN3164		ROLL PIN, 5/16" X 2" SPIRAL MEDIUM DUTY, Y/D
2	SN5339		PIN, 1" X 4 1/16" (3"), Y/D
3	SN6635		CYLINDER, 4" X 10" (22 1/4" CPC) ORB (*VERSION 1, PRIOR TO 10/22/03)
	SN12026		CYLINDER, 4" X 10" (22 1/4" CPC) ORB CROSS, 3000 PSI (*VERSION 2, 10/22/03 & LATER)
4	SN4067002		HOSE, 3/8" X 67" L, FEMALE ENDS
5	SN4031002		HOSE, 3/8" X 31" L, FEMALE ENDS (32'-35' NC)
	SN4045002		HOSE, 3/8" X 45" L, FEMALE ENDS (32'-37')
6	SN4022002		HOSE, 3/8" X 22" L, FEMALE ENDS (32'-35' NC)
	SN4040002		HOSE, 3/8" X 40" L, FEMALE ENDS (32'-37')
7	SN4055002		HOSE, 3/8" X 55" L, FEMALE ENDS (32'-35' NC)
	SN4070002		HOSE, 3/8" X 70" L, FEMALE ENDS (32'-37')

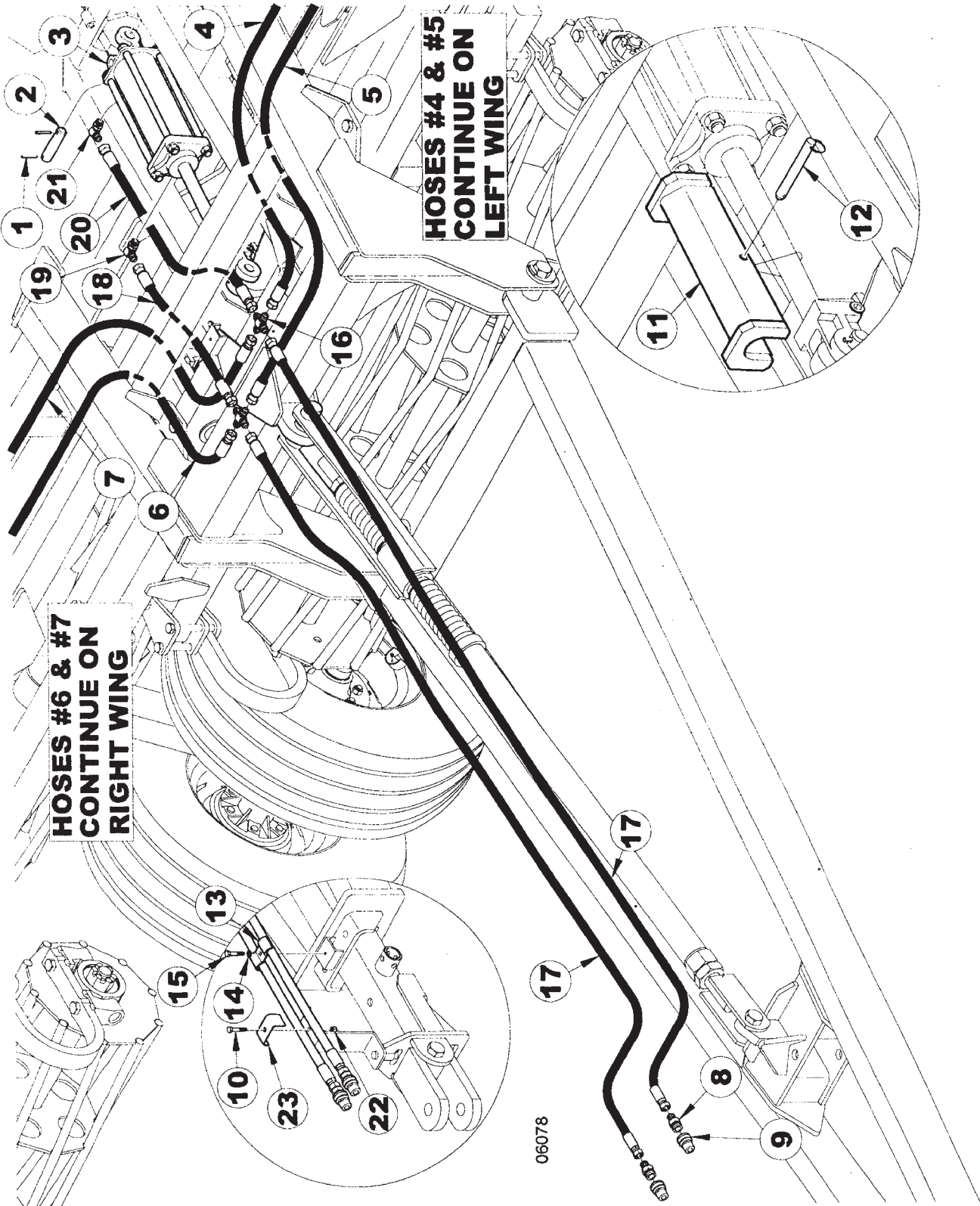
*NOTE:WHEN ORDERING HYDRAULIC CYLINDER COMPONENTS, BE SURE TO NOTE THE PART NUMBER AND THE CYLINDER PSI. (LOCATED ON THE CYLINDER DECAL) AS THEY CONTAIN DIFFERENT COMPONENTS. OLDER CYLINDERS WERE 2500 PSI. AND THE NEWER CYLINDERS ARE 3000 PSI. IDENTIFYING THE PART # OF THE CYLINDER IS EXTREMELY IMPORTANT WHEN ORDERING PARTS TO ENSURE PROPER OPERATION OF THE HYDRAULIC CYLINDER.

WARNING
THESE PARTS ARE IMPORTANT TO THE SAFETY OF THIS EQUIPMENT AND THOSE WHO OPERATE IT. USE ONLY EXACT REPLACEMENT PARTS TO PREVENT HYDRAULIC FAILURE. BEFORE REPLACING THESE PARTS, REVIEW AND FOLLOW THE INSTRUCTIONS IN THE SAFETY AND OPERATING SECTIONS OF THIS MANUAL.

CONTINUED

I0006078
PR: t05g30n04d0026

HYDRAULICS (3-SECTION 32'-35' NC &



**7212, 7232, & 7252 SOIL CONDITIONER
SERVICE PARTS**

61

HYDRAULICS (3-SECTION 32'-35' NC &

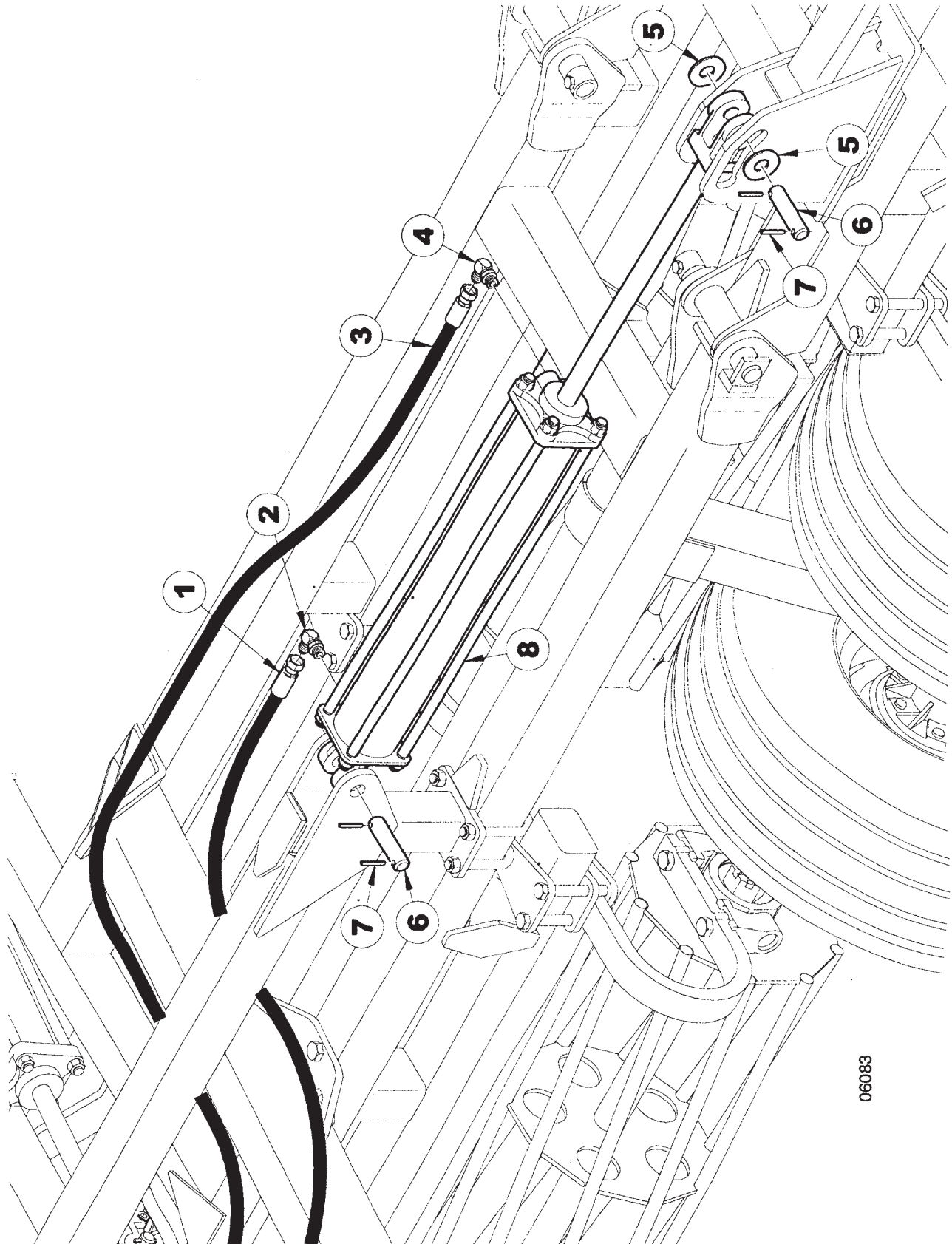
ITEM	NUMBER	QTY	DESCRIPTION
8	SN2425		MALE CONNECTOR, 3/4"-16 MF X 1/2-14 MPT
9	SN3253		HYDRAULIC COUPLER, MALE HALF
10	SN175		HEX BOLT, 3/8"-16 X 1 1/2",GR 5, Y/D
11	SN7785R		TRANSPORT LOCK
12	SN12268		PIN, WIRE LOCK 3/8" X 2 1/2", Y/D
13	SN5302		PIPE CLAMP, 3/8" BOLT HOLE, Y/D
14	SN176		LOCK WASHER,3/8" SPLIT TYPE MED,Y/D
15	SN3984		HEX BOLT, 3/8"-16 X 1 1/4",GR 5, Y/D
16	SN4482		UNION CROSS, 3/4"-16 MF
17	SN4285002		HOSE, 3/8" X 285" L, FEMALE ENDS
18	SN4022002		HOSE, 3/8" X 22" L, FEMALE ENDS
19	SN4454		90 DEG STR THREAD ELBOW, 3/4"-16
20	SN4036002		HOSE, 3/8" X 36" L, FEMALE ENDS
21	SN4455		90 DEG STR THD ELBOW, 3/4"-16 MF X 3/4"-16 MOR W/1/16" REST
22	SN3567		LOCK NUT, 3/8"-16 HEX NYLON INSERT, GR 2, Y/D
23	SN2339		BRACKET CLAMP,Y/D

*NOTE:WHEN ORDERING HYDRAULIC CYLINDER COMPONENTS, BE SURE TO NOTE THE PART NUMBER AND THE CYLINDER PSI. (LOCATED ON THE CYLINDER DECAL) AS THEY CONTAIN DIFFERENT COMPONENTS. OLDER CYLINDERS WERE 2500 PSI. AND THE NEWER CYLINDERS ARE 3000 PSI. IDENTIFYING THE PART # OF THE CYLINDER IS EXTREMELY IMPORTANT WHEN ORDERING PARTS TO ENSURE PROPER OPERATION OF THE HYDRAULIC CYLINDER.

WARNING
THESE PARTS ARE IMPORTANT TO THE SAFETY OF THIS EQUIPMENT AND THOSE WHO OPERATE IT. USE ONLY EXACT REPLACEMENT PARTS TO PREVENT HYDRAULIC FAILURE. BEFORE REPLACING THESE PARTS, REVIEW AND FOLLOW THE INSTRUCTIONS IN THE SAFETY AND OPERATING SECTIONS OF THIS MANUAL.

I0006078
PR: t05g30n04d0026

HYDRAULICS (3-SECTION 32'-35' NC &
32'-37' LEFT WING)



06083

**7212, 7232, & 7252 SOIL CONDITIONER
SERVICE PARTS**

63

**HYDRAULICS (3-SECTION 32'-35' NC &
32'-37' LEFT WING)**

ITEM	NUMBER	QTY	DESCRIPTION
1	SN4031002		HOSE, 3/8" X 31" L, FEMALE ENDS (32'-35' NC)
	SN4045002		HOSE, 3/8" X 45" L, FEMALE ENDS (32'-37')
2	SN4454		90 DEG STR THREAD ELBOW, 3/4"-16 MF X 3/4"-16 MOR
3	SN4067002		HOSE, 3/8" X 67" L, FEMALE ENDS
4	SN4455		90 DEG STR THD ELBOW, 3/4"-16 MF X 3/4"-16 MOR W/1/16" REST
5	SN245		FLAT WASHER, 1" WIDE RIM, Y/D
6	SN5251		PIN, 1" X 5 13/16" (4 1/2"), Y/D
7	SN3164		ROLL PIN, 5/16" X 2" SPIRAL MEDIUM DUTY, Y/D
8	SN4403R		CYLINDER, 4" X 30" (40 1/4" CPC) ORB (*VERSION 1, PRIOR TO 4/17/03)
	SN10812		CYLINDER, 4" X 30" (40 1/4" CPC) ORB CROSS, 3000 PSI (*VERSION 2, 4/17/03 & LATER)

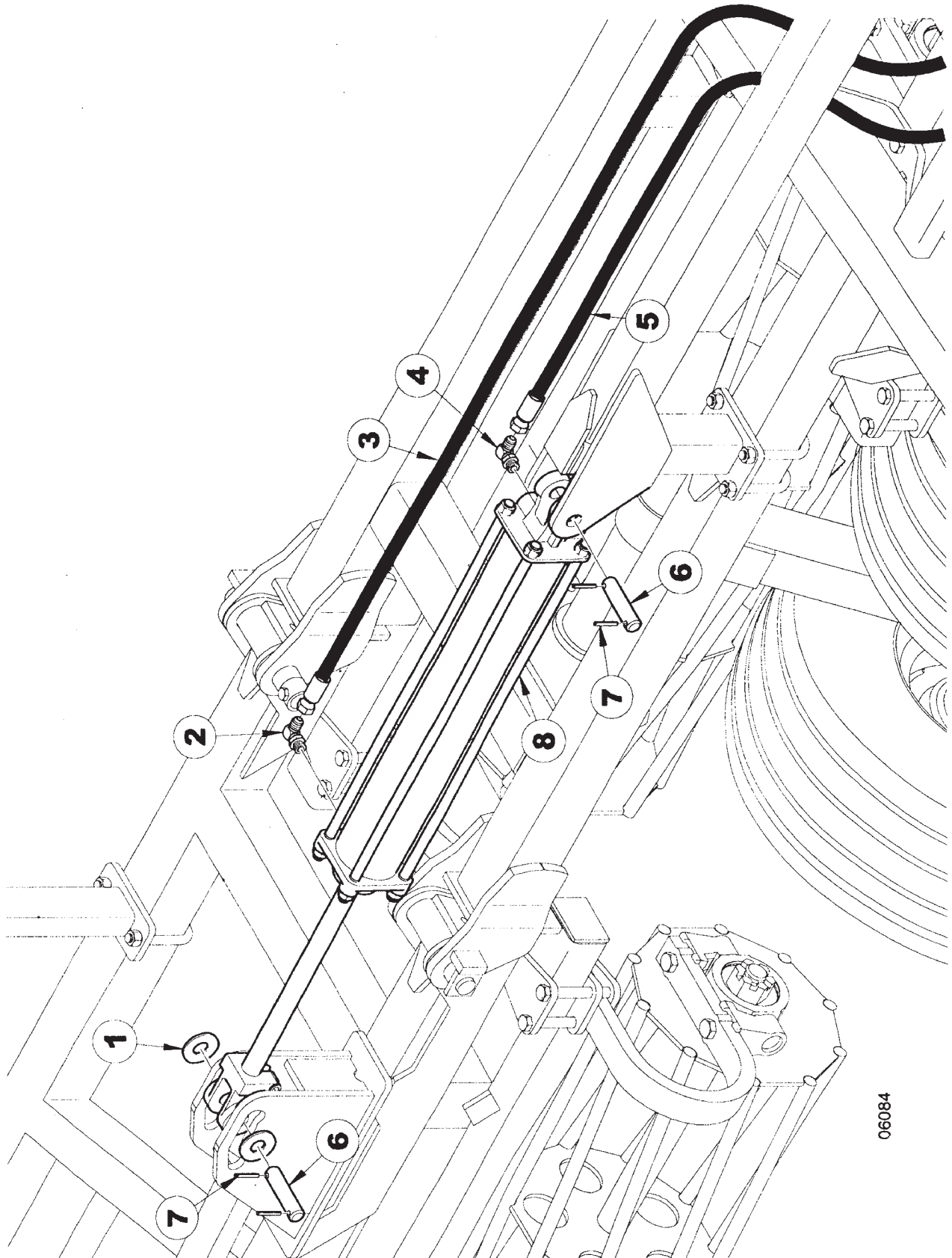
*NOTE:WHEN ORDERING HYDRAULIC CYLINDER COMPONENTS, BE SURE TO NOTE THE PART NUMBER AND THE CYLINDER PSI. (LOCATED ON THE CYLINDER DECAL) AS THEY CONTAIN DIFFERENT COMPONENTS. OLDER CYLINDERS WERE 2500 PSI. AND THE NEWER CYLINDERS ARE 3000 PSI. IDENTIFYING THE PART # OF THE CYLINDER IS EXTREMELY IMPORTANT WHEN ORDERING PARTS TO ENSURE PROPER OPERATION OF THE HYDRAULIC CYLINDER.

WARNING
THESE PARTS ARE IMPORTANT TO THE SAFETY OF THIS EQUIPMENT AND THOSE WHO OPERATE IT. USE ONLY EXACT REPLACEMENT PARTS TO PREVENT HYDRAULIC FAILURE. BEFORE REPLACING THESE PARTS, REVIEW AND FOLLOW THE INSTRUCTIONS IN THE SAFETY AND OPERATING SECTIONS OF THIS MANUAL.

I0006083
PR: t05g30n04d0027

7212, 7232, & 7252 SOIL CONDITIONER
SERVICE PARTS

HYDRAULICS (3-SECTION 32'-35' NC &
32'-37' RIGHT WING)



06084

**7212, 7232, & 7252 SOIL CONDITIONER
SERVICE PARTS**

65

**HYDRAULICS (3-SECTION 32'-35' NC &
32'-37' RIGHT WING)**

ITEM	NUMBER	QTY	DESCRIPTION
1	SN245		FLAT WASHER, 1" WIDE RIM, Y/D
2	SN4455		90 DEG STR THD ELBOW, 3/4"-16 MF X 3/4"-16 MOR W/1/16" REST
3	SN4055002		HOSE, 3/8" X 55" L, FEMALE ENDS (32'-35' NC)
	SN4070002		HOSE, 3/8" X 70" L, FEMALE ENDS (32'-37')
4	SN4454		90 DEG STR THREAD ELBOW, 3/4"-16
5	SN4022002		HOSE, 3/8" X 22" L, FEMALE ENDS (32'-35' NC)
	SN4040002		HOSE, 3/8" X 40" L, FEMALE ENDS (32'-37')
6	SN5251		PIN, 1" X 5 13/16" (4 1/2"), Y/D
7	SN3164		ROLL PIN, 5/16" X 2" SPIRAL MEDIUM DUTY, Y/D
8	SN4403R		CYLINDER, 4" X 30" (40 1/4"CPC) ORB (*VERSION 1, PRIOR TO 4/17/03)
	SN10812		CYLINDER, 4" X 30" (40 1/4" CPC) ORB CROSS, 3000 PSI (*VERSION 2, 4/17/03 & LATER)

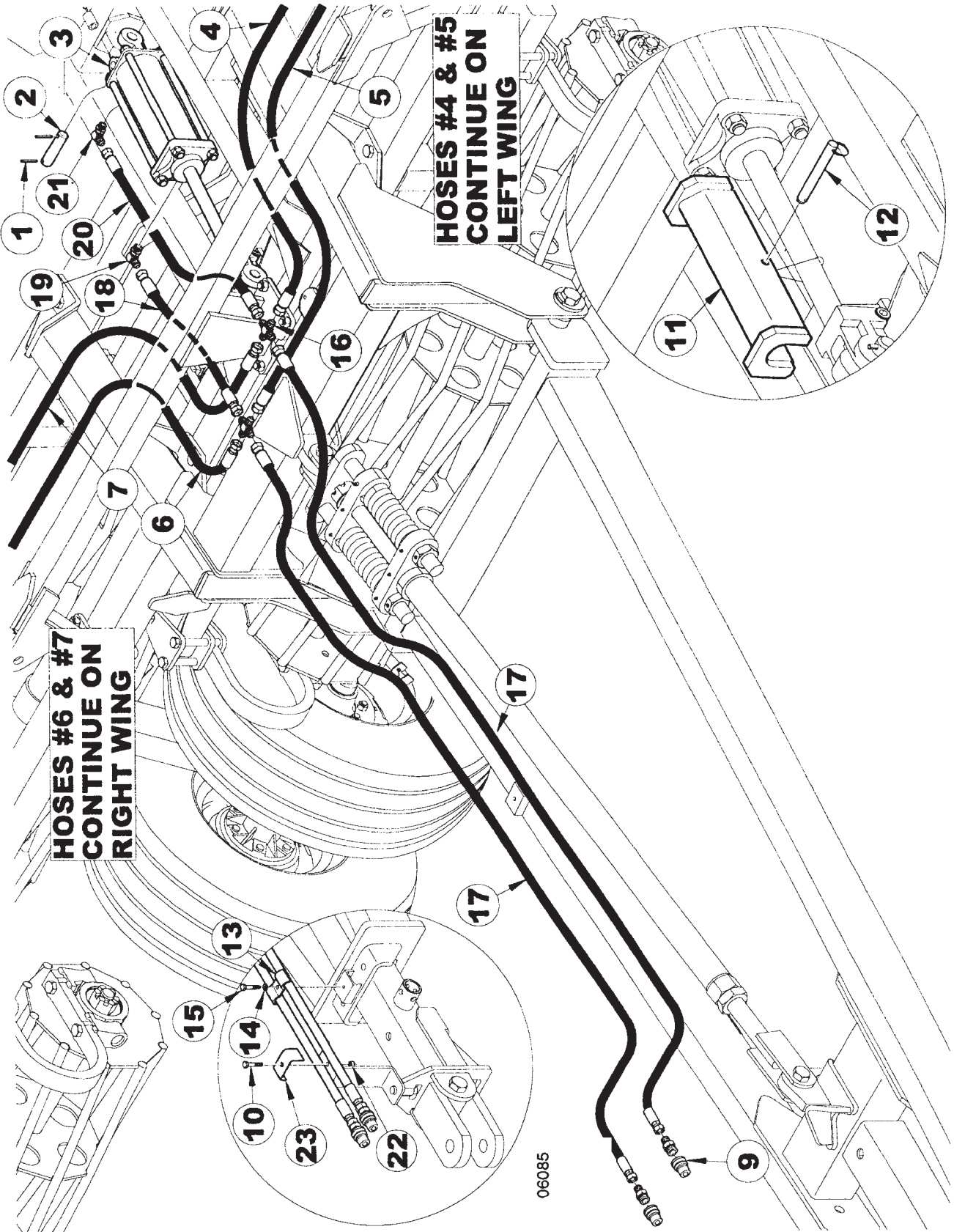
*NOTE:WHEN ORDERING HYDRAULIC CYLINDER COMPONENTS, BE SURE TO NOTE THE PART NUMBER AND THE CYLINDER PSI. (LOCATED ON THE CYLINDER DECAL) AS THEY CONTAIN DIFFERENT COMPONENTS. OLDER CYLINDERS WERE 2500 PSI. AND THE NEWER CYLINDERS ARE 3000 PSI. IDENTIFYING THE PART # OF THE CYLINDER IS EXTREMELY IMPORTANT WHEN ORDERING PARTS TO ENSURE PROPER OPERATION OF THE HYDRAULIC CYLINDER.

WARNING

THESE PARTS ARE IMPORTANT TO THE SAFETY OF THIS EQUIPMENT AND THOSE WHO OPERATE IT. USE ONLY EXACT REPLACEMENT PARTS TO PREVENT HYDRAULIC FAILURE. BEFORE REPLACING THESE PARTS, REVIEW AND FOLLOW THE INSTRUCTIONS IN THE SAFETY AND OPERATING SECTIONS OF THIS MANUAL.

I0006084
PR: t05g30n04d0028

HYDRAULICS (5-SECTION CENTER)



06085

**7212, 7232, & 7252 SOIL CONDITIONER
SERVICE PARTS**

HYDRAULICS (5-SECTION CENTER)

ITEM	NUMBER	QTY	DESCRIPTION
1	SN3164		ROLL PIN, 5/16" X 2" SPIRAL MEDIUM DUTY, Y/D
2	SN5339		PIN, 1" X 4 1/16" (3"), Y/D
3	SN6635		CYLINDER, 4" X 10" (22 1/4" CPC) ORB (*VERSION 1, PRIOR TO 10/22/03)
	SN12026		CYLINDER, 4" X 10" (22 1/4" CPC) ORB CROSS, 3000 PSI (*VERSION 2, 10/22/03 & LATER)
4	SN4067002		HOSE, 3/8" X 67" L, FEMALE ENDS (32'-37')
	SN4082002		HOSE, 3/8" X 82" L, FEMALE ENDS (40'-56')
5	SN4039002		HOSE, 3/8" X 39" L, FEMALE ENDS (32'-37')
	SN4054002		HOSE, 3/8" X 54" L, FEMALE ENDS (40'-56')
6	SN4030002		HOSE, 3/8" X 30" L, FEMALE ENDS (32'-37')
	SN4045002		HOSE, 3/8" X 45" L, FEMALE ENDS (40'-56')

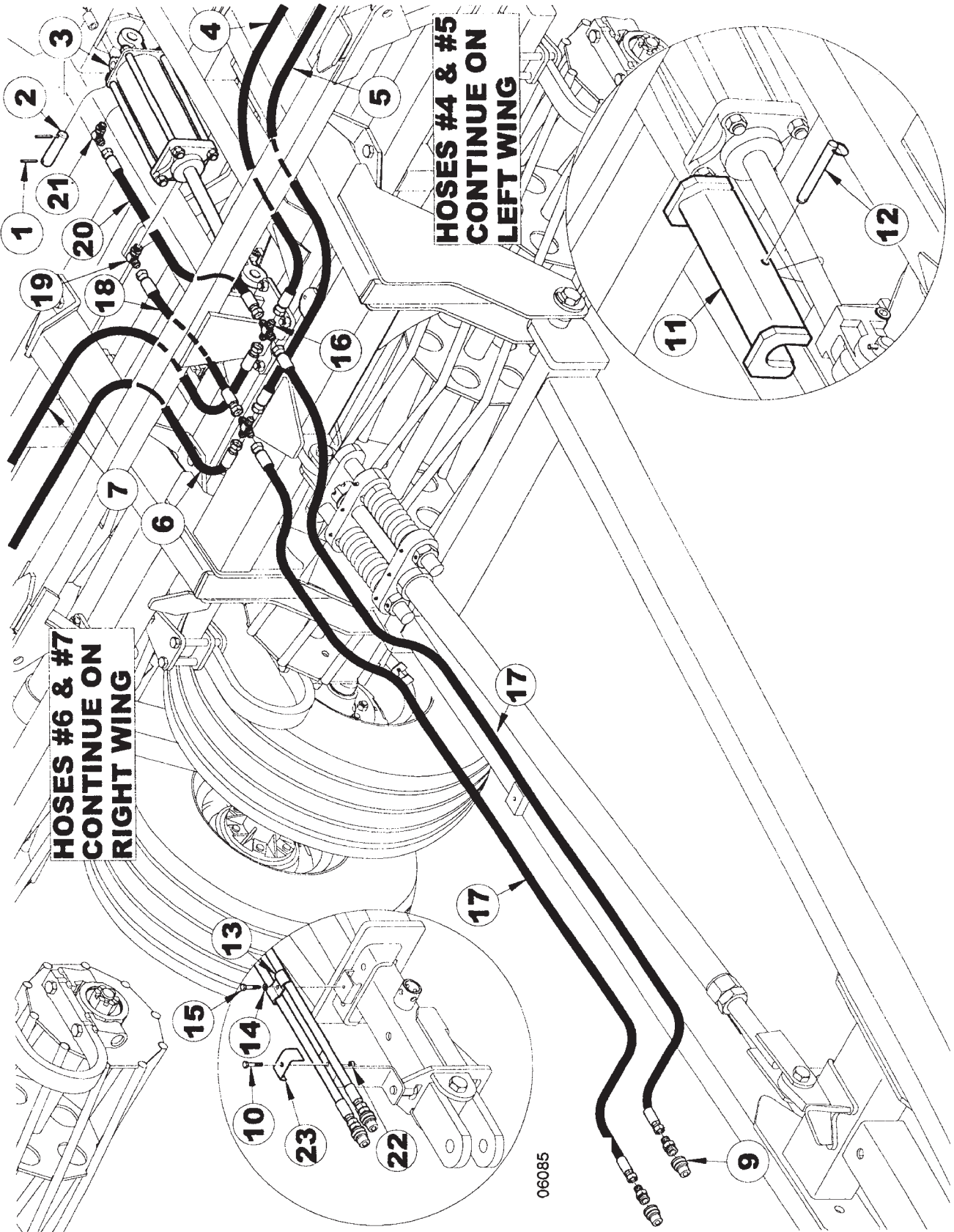
*NOTE:WHEN ORDERING HYDRAULIC CYLINDER COMPONENTS, BE SURE TO NOTE THE PART NUMBER AND THE CYLINDER PSI. (LOCATED ON THE CYLINDER DECAL) AS THEY CONTAIN DIFFERENT COMPONENTS. OLDER CYLINDERS WERE 2500 PSI. AND THE NEWER CYLINDERS ARE 3000 PSI. IDENTIFYING THE PART # OF THE CYLINDER IS EXTREMELY IMPORTANT WHEN ORDERING PARTS TO ENSURE PROPER OPERATION OF THE HYDRAULIC CYLINDER.

WARNING
THESE PARTS ARE IMPORTANT TO THE SAFETY OF THIS EQUIPMENT AND THOSE WHO OPERATE IT. USE ONLY EXACT REPLACEMENT PARTS TO PREVENT HYDRAULIC FAILURE. BEFORE REPLACING THESE PARTS, REVIEW AND FOLLOW THE INSTRUCTIONS IN THE SAFETY AND OPERATING SECTIONS OF THIS MANUAL.

CONTINUED

I0006085
PR: t05g30n04d0029

HYDRAULICS (5-SECTION CENTER)



**7212, 7232, & 7252 SOIL CONDITIONER
SERVICE PARTS**

HYDRAULICS (5-SECTION CENTER)

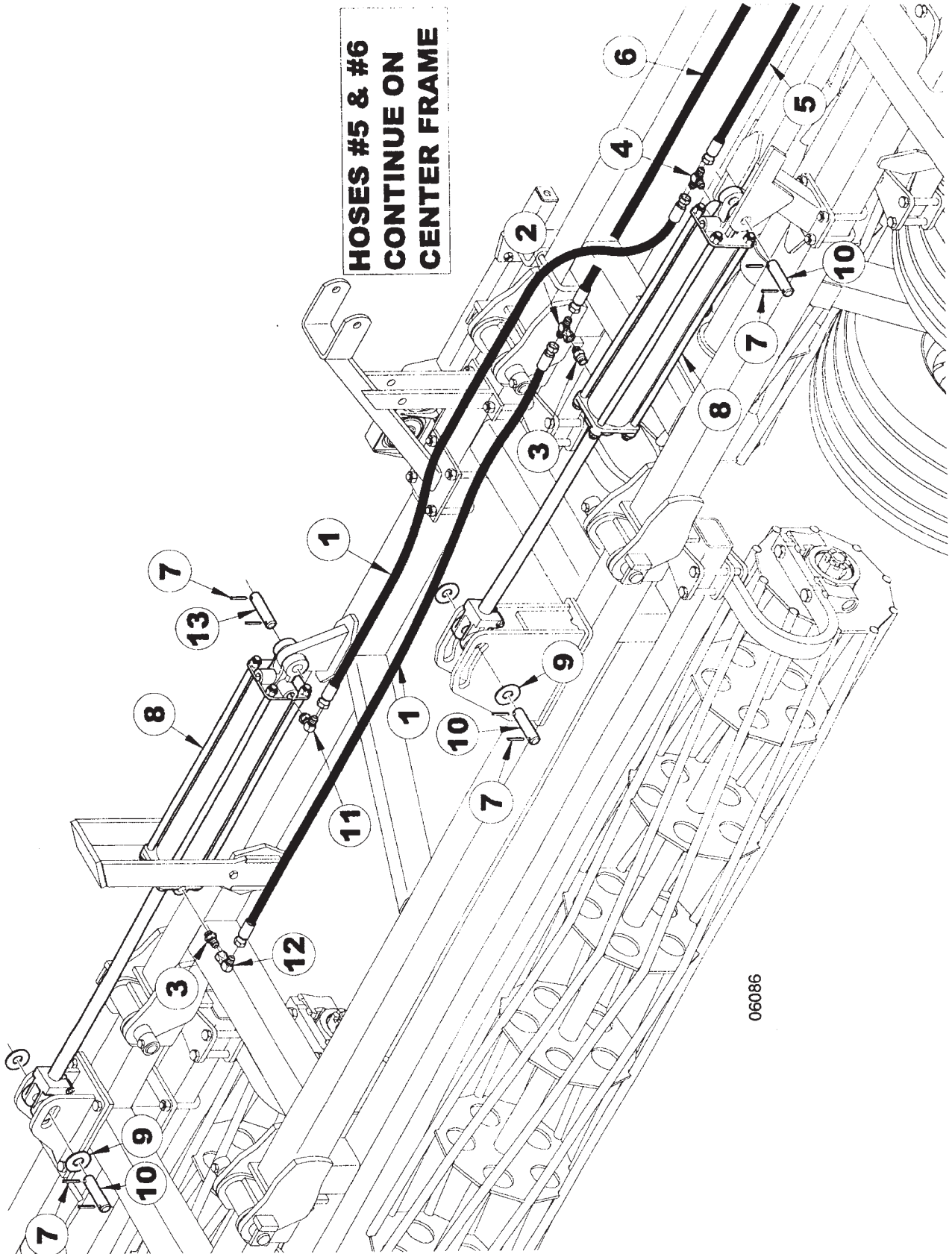
ITEM	NUMBER	QTY	DESCRIPTION
7	SN4055002		HOSE, 3/8" X 55" L, FEMALE ENDS (32'-37')
	SN4070002		HOSE, 3/8" X 70" L, FEMALE ENDS (40'-56')
8	SN2425		MALE CONNECTOR, 3/4"-16 MF X 1/2-14 MPT
9	SN3253		HYDRAULIC COUPLER, MALE HALF
10	SN175		HEX BOLT, 3/8"-16 X 1 1/2",GR 5, Y/D
11	SN7785R		TRANSPORT LOCK
12	SN12268		PIN, WIRE LOCK 3/8" X 2 1/2", Y/D
13	SN5302		PIPE CLAMP, 3/8" BOLT HOLE, Y/D
14	SN176		LOCK WASHER,3/8" SPLIT TYPE MED,Y/D
15	SN3984		HEX BOLT, 3/8"-16 X 1 1/4",GR 5, Y/D
16	SN4482		UNION CROSS, 3/4"-16 MF
17	SN4285002		HOSE, 3/8" X 285" L, FEMALE ENDS (32'-37')
	SN4410002		HOSE, 3/8" X 410" L, FEMALE ENDS (40'-56')
18	SN4022002		HOSE, 3/8" X 22" L, FEMALE ENDS
19	SN4454		90 DEG STR THREAD ELBOW, 3/4"-16
20	SN4036002		HOSE, 3/8" X 36" L, FEMALE ENDS
21	SN4455		90 DEG STR THD ELBOW, 3/4"-16 MF X 3/4"-16 MOR W/1/16" REST
22	SN3567		LOCK NUT, 3/8"-16 HEX NYLON INSERT, GR 2, Y/D
23	SN2339		BRACKET CLAMP,Y/D

*NOTE:WHEN ORDERING HYDRAULIC CYLINDER COMPONENTS, BE SURE TO NOTE THE PART NUMBER AND THE CYLINDER PSI. (LOCATED ON THE CYLINDER DECAL) AS THEY CONTAIN DIFFERENT COMPONENTS. OLDER CYLINDERS WERE 2500 PSI. AND THE NEWER CYLINDERS ARE 3000 PSI. IDENTIFYING THE PART # OF THE CYLINDER IS EXTREMELY IMPORTANT WHEN ORDERING PARTS TO ENSURE PROPER OPERATION OF THE HYDRAULIC CYLINDER.

WARNING
THESE PARTS ARE IMPORTANT TO THE SAFETY OF THIS EQUIPMENT AND THOSE WHO OPERATE IT. USE ONLY EXACT REPLACEMENT PARTS TO PREVENT HYDRAULIC FAILURE. BEFORE REPLACING THESE PARTS, REVIEW AND FOLLOW THE INSTRUCTIONS IN THE SAFETY AND OPERATING SECTIONS OF THIS MANUAL.

I0006085
PR: t05g30n04d0029

HYDRAULICS (5-SECTION 32'-45'
RIGHT WING)



06086

**7212, 7232, & 7252 SOIL CONDITIONER
SERVICE PARTS**

71

**HYDRAULICS (5-SECTION 32'-45'
RIGHT WING)**

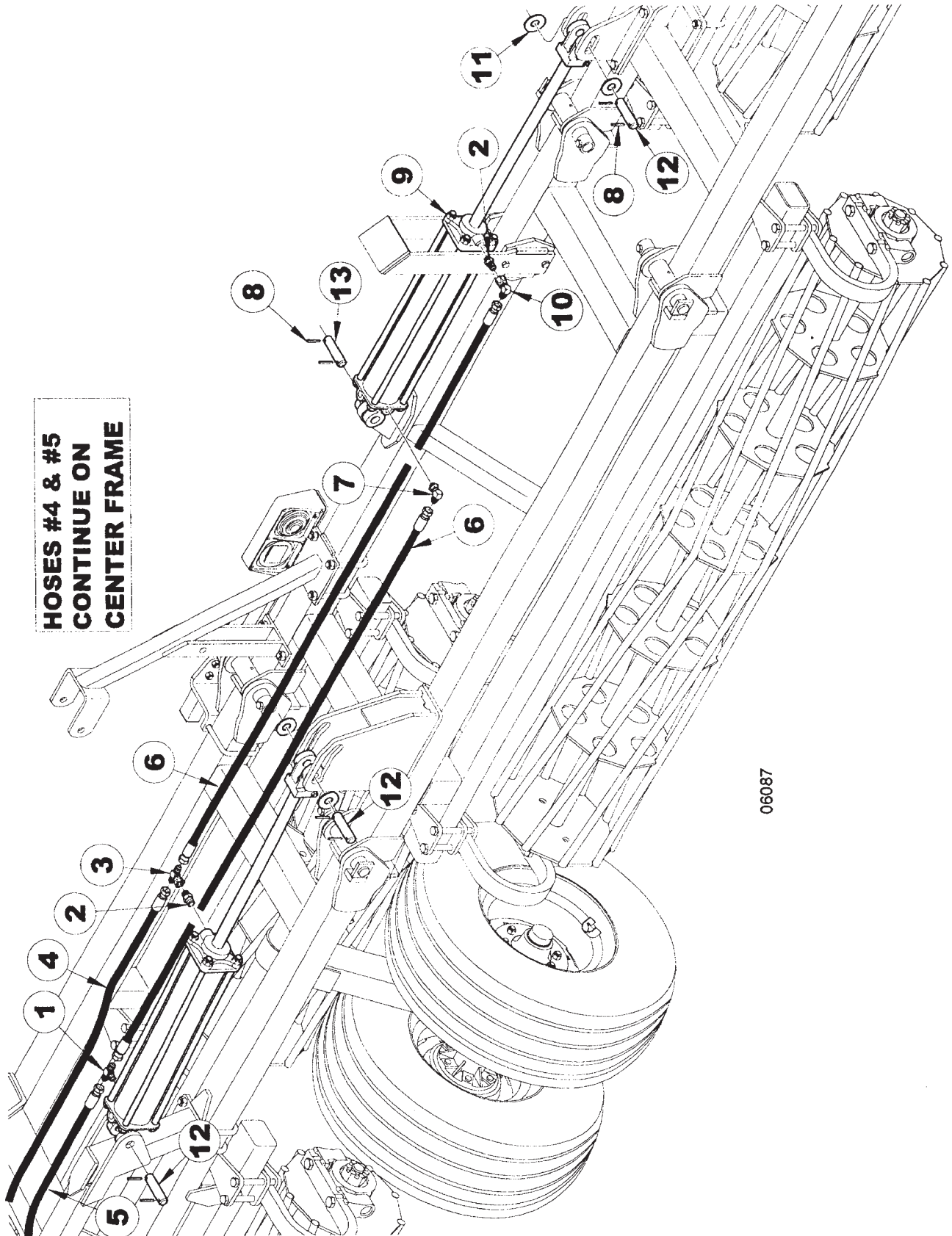
ITEM	NUMBER	QTY	DESCRIPTION
1	SN4082002		HOSE, 3/8" X 82" L, FEMALE ENDS (32'-37')
	SN4097002		HOSE, 3/8" X 97" L, FEMALE ENDS (40'-45')
2	SN4473		SWIVEL NUT BRANCH TEE, 3/4"-16 MFX 3/4"-16 FF
3	SN4465		STRAIGHT THD CONNECTOR 3/4"-16 MF X 3/4"-16 MOR W/1/16" REST
4	SN4451		STRAIGHT THREAD BRANCH TEE, 3/4"-16 MF X 3/4"-16 MOR
5	SN4030002		HOSE, 3/8" X 30" L, FEMALE ENDS (32'-37')
	SN4045002		HOSE, 3/8" X 45" L, FEMALE ENDS (40'-45')
6	SN4055002		HOSE, 3/8" X 55" L, FEMALE ENDS (32'-37')
	SN4070002		HOSE, 3/8" X 70" L, FEMALE ENDS (40'-45')
7	SN3164		ROLL PIN, 5/16" X 2" SPIRAL MEDIUM DUTY, Y/D
8	SN7841		CYLINDER, 3 1/2" X 24" (34 1/4 CPC) ORB COMMAND, CROSS (*VERSION 1)
	SN12020		CYLINDER, 3 1/2" X 24" (34 1/4 CPC) ORB CROSS, 3000 PSI (*VERSION 2)
9	SN245		FLAT WASHER, 1" WIDE RIM, Y/D
10	SN5251		PIN, 1" X 5 13/16" (4 1/2"), Y/D
11	SN4454		90 DEG STR THREAD ELBOW, 3/4"-16 MF X 3/4"-16 MOR
12	SN4472		90 DEG SWIVEL ELBOW, 3/4"- 16 MF X 3/4"-16 FF
13	SN5339		PIN, 1" X 4 1/16" (3"), Y/D

*NOTE:WHEN ORDERING HYDRAULIC CYLINDER COMPONENTS, BE SURE TO NOTE THE PART NUMBER AND THE CYLINDER PSI. (LOCATED ON THE CYLINDER DECAL) AS THEY CONTAIN DIFFERENT COMPONENTS. OLDER CYLINDERS WERE 2500 PSI. AND THE NEWER CYLINDERS ARE 3000 PSI. IDENTIFYING THE PART # OF THE CYLINDER IS EXTREMELY IMPORTANT WHEN ORDERING PARTS TO ENSURE PROPER OPERATION OF THE HYDRAULIC CYLINDER.

WARNING
THESE PARTS ARE IMPORTANT TO THE SAFETY OF THIS EQUIPMENT AND THOSE WHO OPERATE IT. USE ONLY EXACT REPLACEMENT PARTS TO PREVENT HYDRAULIC FAILURE. BEFORE REPLACING THESE PARTS, REVIEW AND FOLLOW THE INSTRUCTIONS IN THE SAFETY AND OPERATING SECTIONS OF THIS MANUAL.

I0006086
PR: t05g30n04d0030

HYDRAULICS (5-SECTION 32'-45'
LEFT WING)



HOSES #4 & #5
CONTINUE ON
CENTER FRAME

06087

**7212, 7232, & 7252 SOIL CONDITIONER
SERVICE PARTS**

73

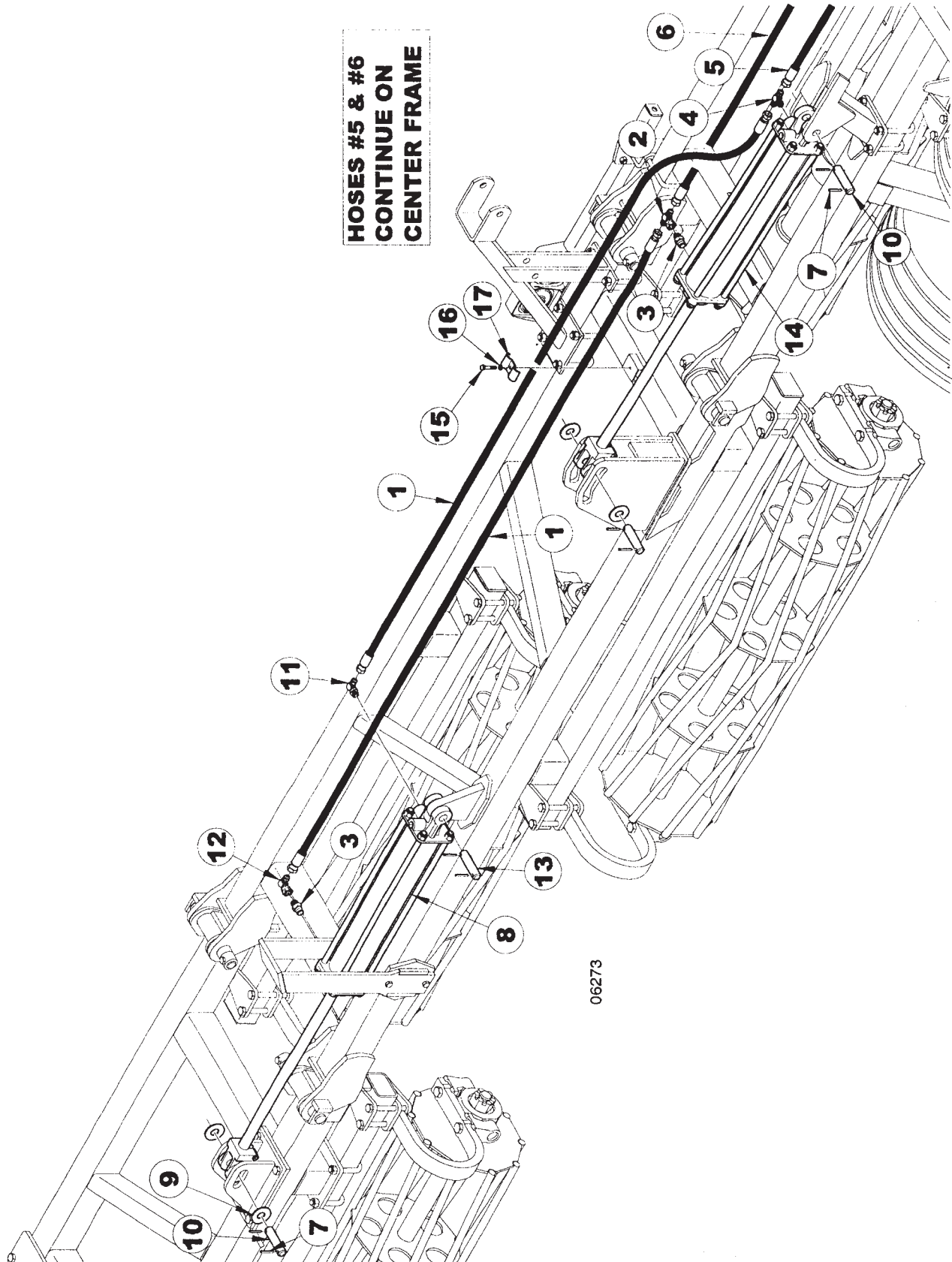
**HYDRAULICS (5-SECTION 32'-45'
LEFT WING)**

ITEM	NUMBER	QTY	DESCRIPTION
1	SN4451		STRAIGHT THREAD BRANCH TEE, 3/4"-16 MF X 3/4"-16 MOR
2	SN4465		STRAIGHT THD CONNECTOR 3/4"-16 MF X 3/4"-16 MOR W/1/16" REST
3	SN4473		SWIVEL NUT BRANCH TEE, 3/4"-16 MFX 3/4"-16 FF
4	SN4067002		HOSE, 3/8" X 67" L, FEMALE ENDS (32'-37')
	SN4082002		HOSE, 3/8" X 82" L, FEMALE ENDS
5	SN4039002		HOSE, 3/8" X 39" L, FEMALE ENDS (32'-37')
	SN4054002		HOSE, 3/8" X 54" L, FEMALE ENDS (40'-45')
6	SN4082002		HOSE, 3/8" X 82" L, FEMALE ENDS (32'-37')
	SN4097002		HOSE, 3/8" X 97" L, FEMALE ENDS (40'-45')
7	SN4454		90 DEG STR THREAD ELBOW, 3/4"-16
8	SN3164		ROLL PIN, 5/16" X 2" SPIRAL MEDIUM DUTY, Y/D
9	SN7841		CYLINDER, 3 1/2" X 24" (34 1/4 CPC) ORB COMMAND, CROSS (*VERSION 1)
	SN12020		CYLINDER, 3 1/2" X 24" (34 1/4 CPC) ORB CROSS, 3000 PSI (*VERSION 2)
10	SN4472		90 DEG SWIVEL ELBOW, 3/4"- 16 MF X 3/4"-16 FF
11	SN245		FLAT WASHER, 1" WIDE RIM, Y/D
12	SN5251		PIN, 1" X 5 13/16" (4 1/2"), Y/D
13	SN5339		PIN, 1" X 4 1/16" (3"), Y/D

*NOTE:WHEN ORDERING HYDRAULIC CYLINDER COMPONENTS, BE SURE TO NOTE THE PART NUMBER AND THE CYLINDER PSI. (LOCATED ON THE CYLINDER DECAL) AS THEY CONTAIN DIFFERENT COMPONENTS. OLDER CYLINDERS WERE 2500 PSI. AND THE NEWER CYLINDERS ARE 3000 PSI. IDENTIFYING THE PART # OF THE CYLINDER IS EXTREMELY IMPORTANT WHEN ORDERING PARTS TO ENSURE PROPER OPERATION OF THE HYDRAULIC CYLINDER.
WARNING
THESE PARTS ARE IMPORTANT TO THE SAFETY OF THIS EQUIPMENT AND THOSE WHO OPERATE IT. USE ONLY EXACT REPLACEMENT PARTS TO PREVENT HYDRAULIC FAILURE. BEFORE REPLACING THESE PARTS, REVIEW AND FOLLOW THE INSTRUCTIONS IN THE SAFETY AND OPERATING SECTIONS OF THIS MANUAL.

I0006087
PR: t05g30n04d0031

HYDRAULICS (5-SECTION 45'W-50'
RIGHT WING)



06273

**7212, 7232, & 7252 SOIL CONDITIONER
SERVICE PARTS**

75

**HYDRAULICS (5-SECTION 45'W-50'
RIGHT WING)**

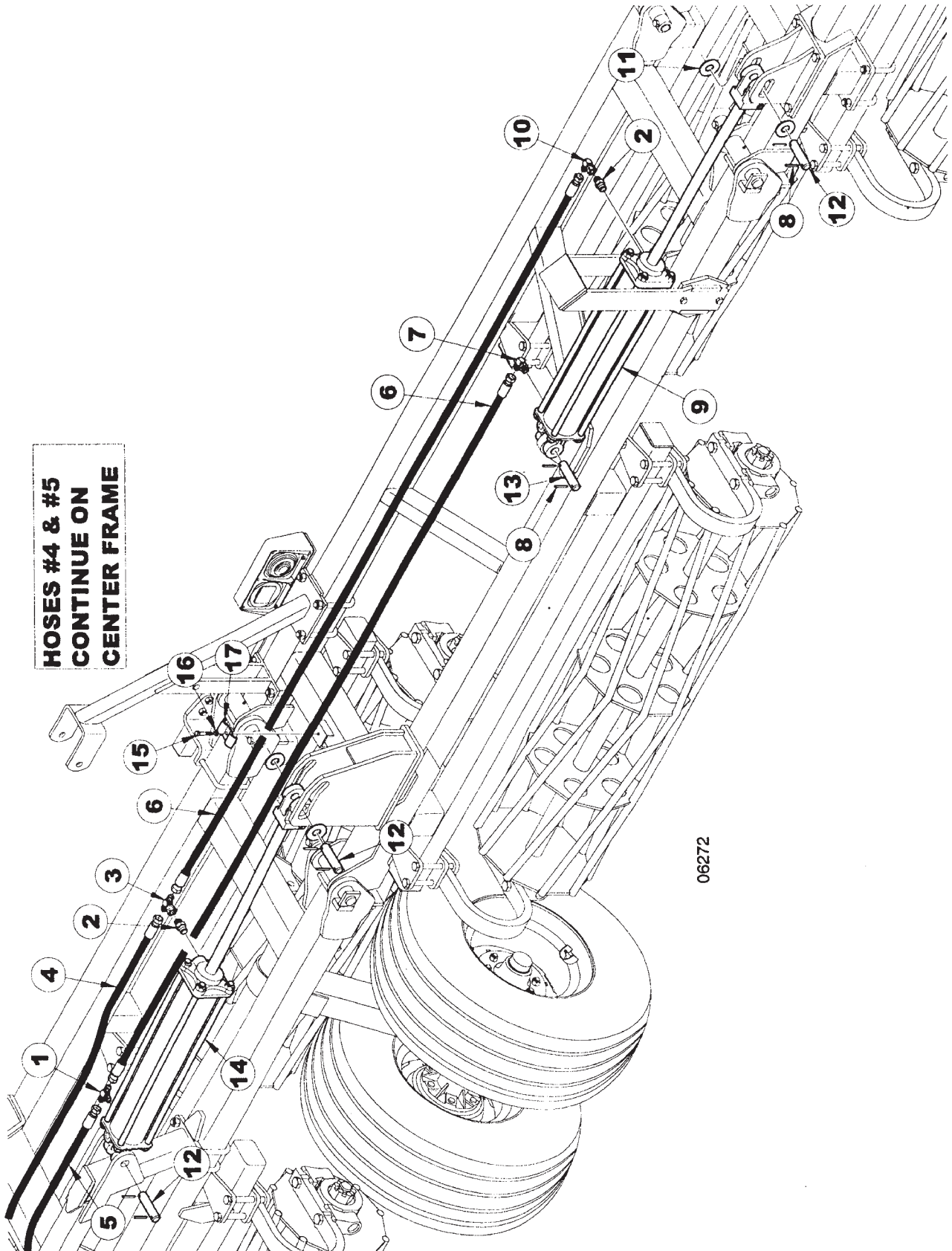
ITEM	NUMBER	QTY	DESCRIPTION
1	SN4120002		HOSE, 3/8" X 120" L, FEMALE ENDS
2	SN4473		SWIVEL NUT BRANCH TEE, 3/4"-16 MFX 3/4"-16 FF
3	SN4465		STRAIGHT THD CONNECTOR 3/4"-16 MF X 3/4"-16 MOR W/1/16" REST
4	SN4451		STRAIGHT THREAD BRANCH TEE,3/4"-16 MF X 3/4"-16 MOR
5	SN4045002		HOSE, 3/8" X 45" L, FEMALE ENDS
6	SN4070002		HOSE, 3/8" X 70" L, FEMALE ENDS
7	SN3164		ROLL PIN, 5/16" X 2" SPIRAL MEDIUM DUTY, Y/D
8	SN7841		CYLINDER, 3 1/2" X 24" (34 1/4 CPC) ORB COMMAND, CROSS (*VERSION 1)
	SN12020		CYLINDER, 3 1/2" X 24" (34 1/4 CPC) ORB CROSS, 3000 PSI (*VERSION 2)
9	SN245		FLAT WASHER, 1" WIDE RIM, Y/D
10	SN5251		PIN, 1" X 5 13/16" (4 1/2"), Y/D
11	SN4454		90 DEG STR THREAD ELBOW, 3/4"-16 MF X 3/4"-16 MOR
12	SN4472		90 DEG SWIVEL ELBOW, 3/4"- 16 MF X 3/4"-16 FF
13	SN5339		PIN, 1" X 4 1/16" (3"), Y/D
14	SN4405R		CYLINDER, 4" X 24" FOLD (34 1/4" CPC) ORB (*VERSION 1, PRIOR TO 4/17/03)
	SN10813		CYLINDER, 4" X 24" FOLD (34 1/4" CPC) ORB, 3000 PSI (*VERSION 2, 4/17/03 & LATER)
15	SN3984		HEX BOLT, 3/8"-16 X 1 1/4",GR 5, Y/D
16	SN176		LOCK WASHER,3/8" SPLIT TYPE MED,Y/D
17	SN5302		PIPE CLAMP, 3/8" BOLT HOLE, Y/D

*NOTE:WHEN ORDERING HYDRAULIC CYLINDER COMPONENTS, BE SURE TO NOTE THE PART NUMBER AND THE CYLINDER PSI. (LOCATED ON THE CYLINDER DECAL) AS THEY CONTAIN DIFFERENT COMPONENTS. OLDER CYLINDERS WERE 2500 PSI. AND THE NEWER CYLINDERS ARE 3000 PSI. IDENTIFYING THE PART # OF THE CYLINDER IS EXTREMELY IMPORTANT WHEN ORDERING PARTS TO ENSURE PROPER OPERATION OF THE HYDRAULIC CYLINDER.

WARNING
THESE PARTS ARE IMPORTANT TO THE SAFETY OF THIS EQUIPMENT AND THOSE WHO OPERATE IT. USE ONLY EXACT REPLACEMENT PARTS TO PREVENT HYDRAULIC FAILURE. BEFORE REPLACING THESE PARTS, REVIEW AND FOLLOW THE INSTRUCTIONS IN THE SAFETY AND OPERATING SECTIONS OF THIS MANUAL.

I0006273
PR: t05g30n04d0032

HYDRAULICS (5-SECTION 45'W-50'
LEFT WING)



HOSES #4 & #5
CONTINUE ON
CENTER FRAME

06272

**7212, 7232, & 7252 SOIL CONDITIONER
SERVICE PARTS**

77

**HYDRAULICS (5-SECTION 45'W-50'
LEFT WING)**

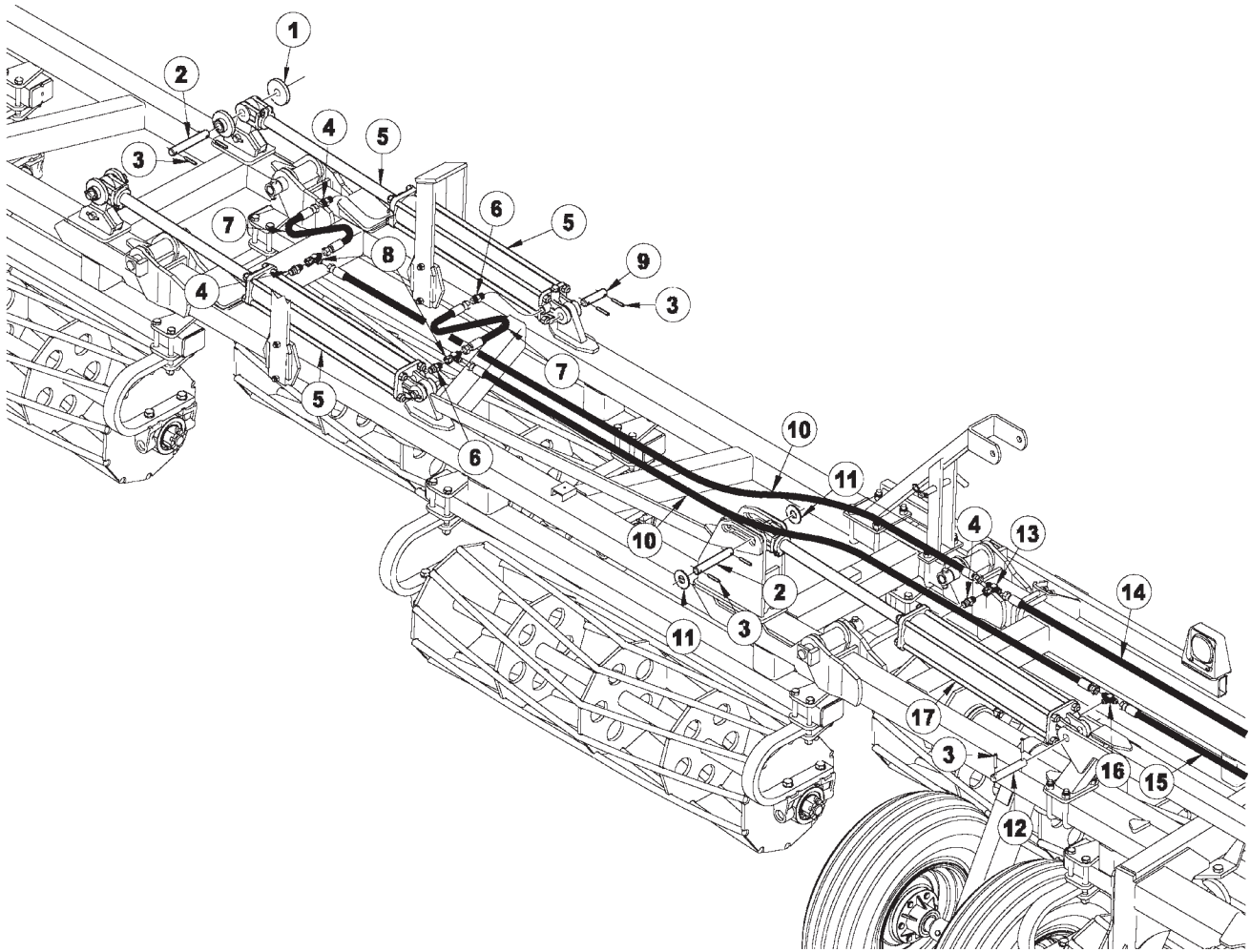
ITEM	NUMBER	QTY	DESCRIPTION
1	SN4451		STRAIGHT THREAD BRANCH TEE,3/4"-16 MF X 3/4"-16 MOR
2	SN4465		STRAIGHT THD CONNECTOR 3/4"-16 MF X 3/4"-16 MOR W/1/16" REST
3	SN4473		SWIVEL NUT BRANCH TEE, 3/4"-16 MF X 3/4"-16 FF
4	SN4082002		HOSE, 3/8" X 82" L, FEMALE ENDS
5	SN4054002		HOSE, 3/8" X 54" L, FEMALE ENDS
6	SN4120002		HOSE, 3/8" X 120" L, FEMALE ENDS
7	SN4454		90 DEG STR THREAD ELBOW, 3/4"-16
8	SN3164		ROLL PIN, 5/16" X 2" SPIRAL MEDIUM DUTY, Y/D
9	SN7841		CYLINDER, 3 1/2" X 24" (34 1/4 CPC) ORB COMMAND, CROSS (*VERSION 1)
	SN12020		CYLINDER, 3 1/2" X 24" (34 1/4 CPC) ORB CROSS, 3000 PSI (*VERSION 2)
10	SN4472		90 DEG SWIVEL ELBOW, 3/4"- 16 MF X 3/4"-16 FF
11	SN245		FLAT WASHER, 1" WIDE RIM, Y/D
12	SN5251		PIN, 1" X 5 13/16" (4 1/2"), Y/D
13	SN5339		PIN, 1" X 4 1/16" (3"), Y/D
14	SN4405R		CYLINDER, 4" X 24" FOLD (34 1/4" CPC) ORB (*VERSION 1, PRIOR TO 4/17/03)
	SN10813		CYLINDER, 4" X 24" FOLD (34 1/4" CPC) ORB, 3000 PSI (*VERSION 2, 4/17/03 & LATER)
15	SN3984		HEX BOLT, 3/8"-16 X 1 1/4",GR 5, Y/D
16	SN176		LOCK WASHER,3/8" SPLIT TYPE MED,Y/D
17	SN5302		PIPE CLAMP, 3/8" BOLT HOLE, Y/D

*NOTE:WHEN ORDERING HYDRAULIC CYLINDER COMPONENTS, BE SURE TO NOTE THE PART NUMBER AND THE CYLINDER PSI. (LOCATED ON THE CYLINDER DECAL) AS THEY CONTAIN DIFFERENT COMPONENTS. OLDER CYLINDERS WERE 2500 PSI. AND THE NEWER CYLINDERS ARE 3000 PSI. IDENTIFYING THE PART # OF THE CYLINDER IS EXTREMELY IMPORTANT WHEN ORDERING PARTS TO ENSURE PROPER OPERATION OF THE HYDRAULIC CYLINDER.

WARNING
THESE PARTS ARE IMPORTANT TO THE SAFETY OF THIS EQUIPMENT AND THOSE WHO OPERATE IT. USE ONLY EXACT REPLACEMENT PARTS TO PREVENT HYDRAULIC FAILURE. BEFORE REPLACING THESE PARTS, REVIEW AND FOLLOW THE INSTRUCTIONS IN THE SAFETY AND OPERATING SECTIONS OF THIS MANUAL.

I0006272
PR: t05g30n04d0033

HYDRAULICS (5-SECTION 52'-56'
RIGHT WING)



07579

**7212, 7232, & 7252 SOIL CONDITIONER
SERVICE PARTS**

79

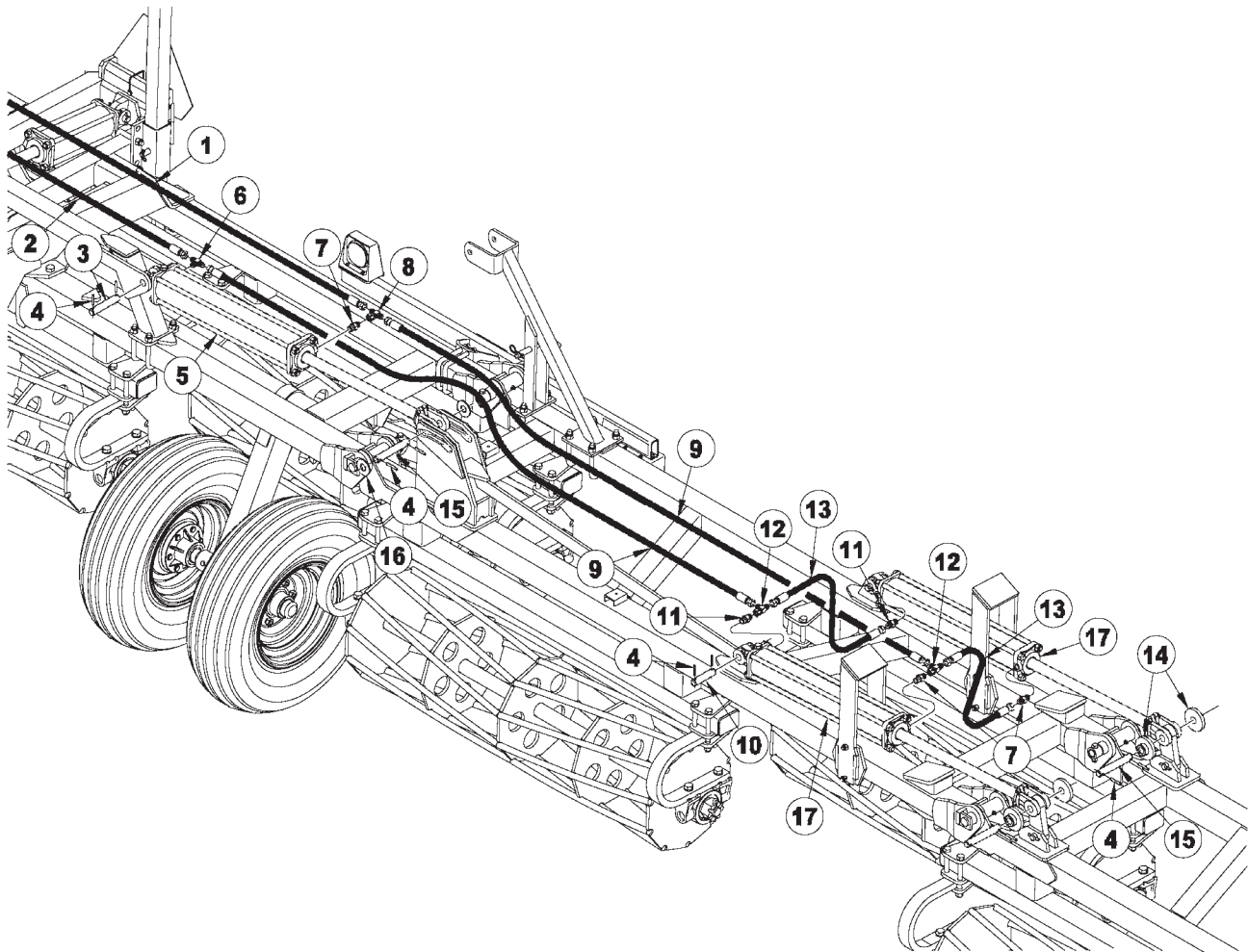
**HYDRAULICS (5-SECTION 52'-56'
RIGHT WING)**

ITEM	NUMBER	QTY	DESCRIPTION
1	SN6529		ROLLER, FOLD LINK
2	SN5252		PIN, 1" X 6 9/16" (5 1/4") Y/D
3	SN3164		ROLL PIN, 5/16" X 2" SPIRAL MEDIUM DUTY, Y/D
4	SN4465		STRAIGHT THD CONNECTOR 3/4"-16 MF X 3/4"-16 MOR W/1/16" REST
5	SN10813		CYLINDER, 4" X 24" FOLD (34 1/4" CPC) ORB CROSS, 3000 PSI
6	SN4463		STRAIGHT THD.CONNECTOR, 3/4"-16
7	SN4016002		HOSE, 3/8" X 16" L, FEMALE ENDS
8	SN6380		SWIVEL NUT RUN TEE, 3/4"-16 MF X 3/4"-16 FF
9	SN5339		PIN, 1" X 4 1/16" (3"), Y/D
10	SN4122002		HOSE, 3/8" X 122" L, FEMALE ENDS
11	SN245		FLAT WASHER, 1" WIDE RIM, Y/D
12	SN5251		PIN, 1" X 5 13/16" (4 1/2"), Y/D
13	SN4473		SWIVEL NUT BRANCH TEE, 3/4"-16 MF X 3/4"-16 FF
14	SN4070002		HOSE, 3/8" X 70" L, FEMALE ENDS
15	SN4045002		HOSE, 3/8" X 45" L, FEMALE ENDS
16	SN4451		STRAIGHT THREAD BRANCH TEE, 3/4"-16 MF X 3/4"-16 MOR
17	SN12020		CYLINDER, 3 1/2" X 24" (34 1/4 CPC) ORB CROSS, 3000 PSI

WARNING
THESE PARTS ARE IMPORTANT TO THE
SAFETY OF THIS EQUIPMENT AND THOSE
WHO OPERATE IT. USE ONLY EXACT
REPLACEMENT PARTS TO PREVENT HYDRAULIC
FAILURE. BEFORE REPLACING THESE PARTS,
REVIEW AND FOLLOW THE INSTRUCTIONS IN
THE SAFETY AND OPERATING SECTIONS OF
THIS MANUAL.

I0007579
PR: t05g30n04d0034

HYDRAULICS (5-SECTION 52'-56'
LEFT WING)



07580

**7212, 7232, & 7252 SOIL CONDITIONER
SERVICE PARTS**

81

**HYDRAULICS (5-SECTION 52'-56'
LEFT WING)**

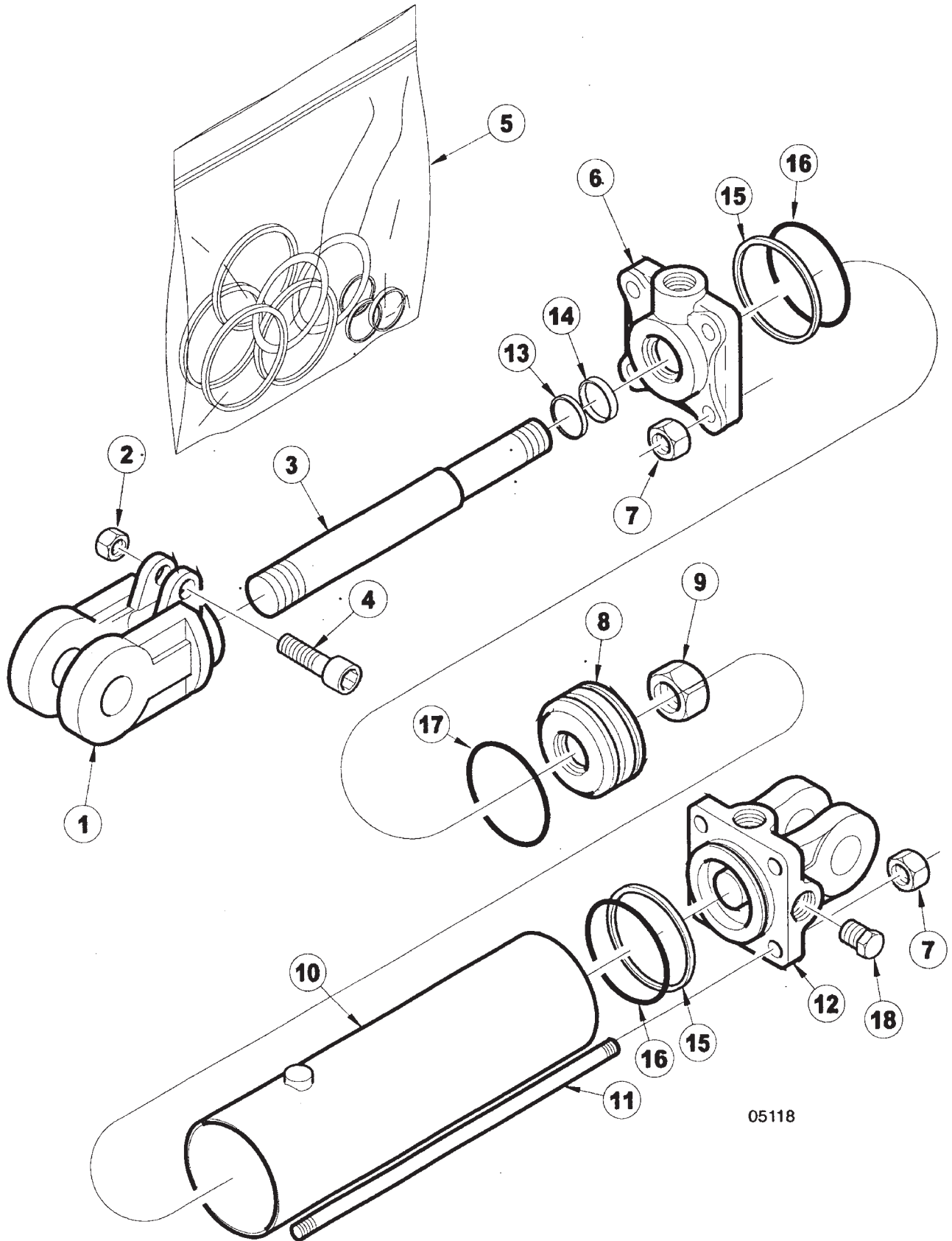
ITEM	NUMBER	QTY	DESCRIPTION
1	SN4082002		HOSE, 3/8" X 82" L, FEMALE ENDS
2	SN4054002		HOSE, 3/8" X 54" L, FEMALE ENDS
3	SN5251		PIN, 1" X 5 13/16" (4 1/2"), Y/D
4	SN3164		ROLL PIN, 5/16" X 2" SPIRAL MEDIUM DUTY, Y/D
5	SN12020		CYLINDER, 3 1/2" X 24" (34 1/4 CPC) ORB CROSS, 3000 PSI
6	SN4451		STRAIGHT THREAD BRANCH TEE, 3/4"-16 MF X 3/4"-16 MOR
7	SN4465		STRAIGHT THD CONNECTOR 3/4"-16 MF X 3/4"-16 MOR W/1/16" REST
8	SN4473		SWIVEL NUT BRANCH TEE, 3/4"-16 MF X 3/4"-16 FF
9	SN4122002		HOSE, 3/8" X 122" L, FEMALE ENDS
10			
11	SN4463		STRAIGHT THD.CONNECTOR, 3/4"-16
12	SN6380		SWIVEL NUT RUN TEE, 3/4"-16 MF X 3/4"-16 FF
13	SN4016002		HOSE, 3/8" X 16" L, FEMALE ENDS
14	SN6529		ROLLER, FOLD LINK
15	SN5252		PIN, 1" X 6 9/16" (5 1/4") Y/D
16	SN245		FLAT WASHER, 1" WIDE RIM, Y/D
17	SN12020		CYLINDER, 3 1/2" X 24" (34 1/4 CPC) ORB CROSS, 3000 PSI

WARNING
THESE PARTS ARE IMPORTANT TO THE
SAFETY OF THIS EQUIPMENT AND THOSE WHO
OPERATE IT. USE ONLY EXACT REPLACEMENT
PARTS TO PREVENT HYDRAULIC FAILURE.
BEFORE REPLACING THESE PARTS, REVIEW
AND FOLLOW THE INSTRUCTIONS IN THE
SAFETY AND OPERATING SECTIONS OF THIS
MANUAL.

I0007580
PR: t05g30n04d0035

7212, 7232, & 7252 SOIL CONDITIONER
SERVICE PARTS

(3 1/2" X 10" CYLINDER 9395R
VERSION 1, PRIOR TO 11/03/03)



**7212, 7232, & 7252 SOIL CONDITIONER
SERVICE PARTS**

83

**(3 1/2" X 10" CYLINDER 9395R
VERSION 1, PRIOR TO 11/03/03)**

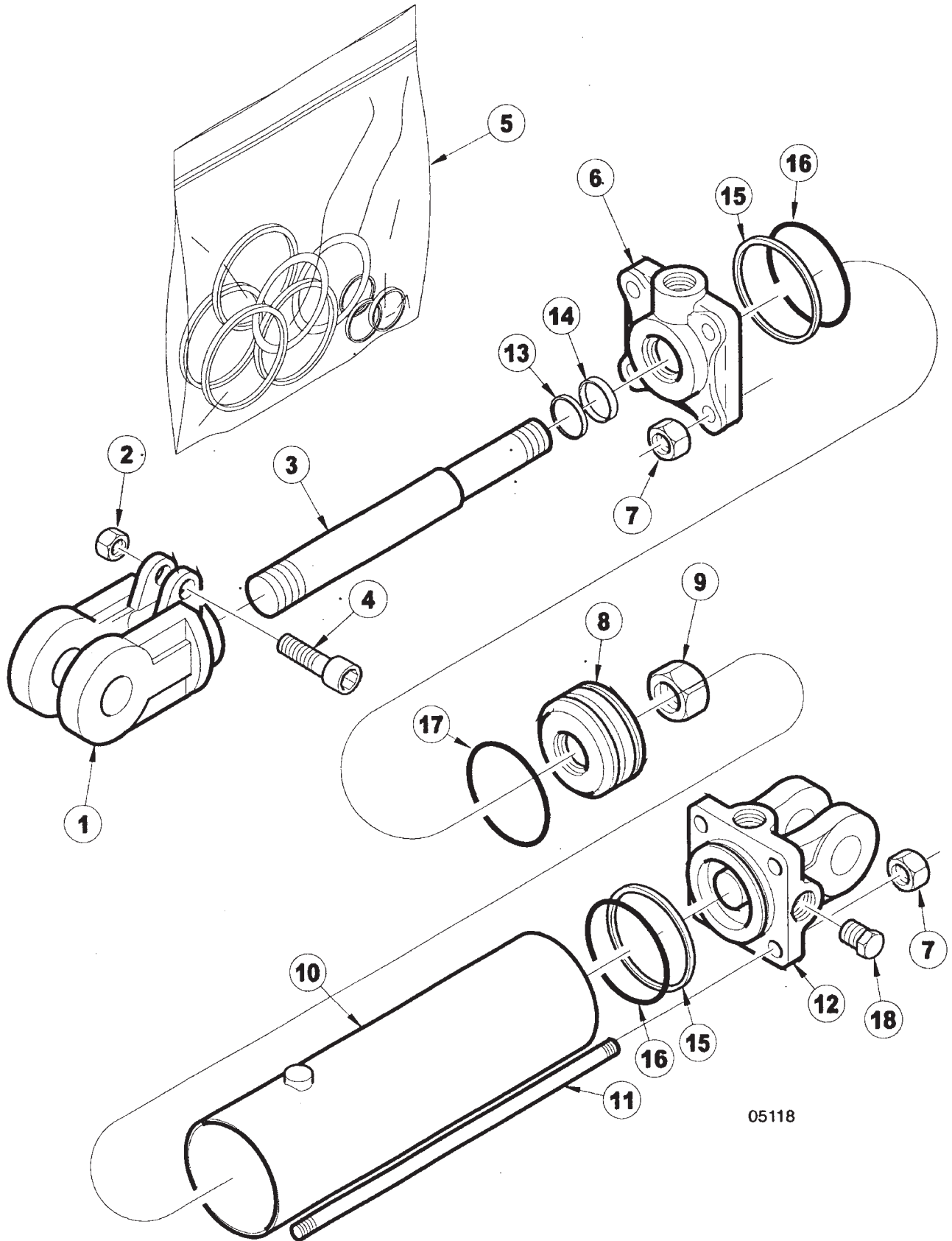
ITEM	NUMBER	QTY	DESCRIPTION
1	SN8610-1		CLEVIS, 1 1/4" THREADS, 1" PIN W/BUSHING, CROSS
2	SN8671-1		CAPSCREW NUT, 5/16" THREADS CROSS
3	SN8902-1		ROD, 1 1/4"DIA, 10" CROSS
4	SN8631-1		CAPSCREW, CROSS
5	SN8769-1		SEAL KIT, 3 1/2", 1 1/4" ROD, CROSS
6	SN8732-10		HEAD, 3 1/2", 1 1/4" ROD,
7	SN8863-1		TIE ROD NUT, 9/16" THREADS CROSSING CROSS
8	SN8712-1		PISTON, 3 1/2" W/1" HOLE CROSS
9	SN8686-1		PISTON NUT, 1" THREAD, CROSS
10	SN8982-1		TUBE, 3 1/2" X 10" CROSS
11	SN8845-1		TIE ROD BOLT, 3 1/4" X 10" REPHASING CROSS
12	SN8702-10		BASE, 3 1/2" (ORB) CROSS
13			* WIPER
14			* U-CUP
15			* BACKUP
16			* O-RING
17			* O-RING
18	SN4458		PLUG, 3/4"-16 O.R.

* ITEMS ARE AVAILABLE IN THE SEAL
KIT ONLY.
WHEN ORDERING HYDRAULIC CYLINDER
COMPONENTS, BE SURE TO NOTE THE PART
NUMBER AND CYLINDER PSI. (LOCATED ON
THE CYLINDER DECAL) AS THEY CONTAIN
DIFFERENT COMPONENTS. OLDER CYLINDERS
WERE 2500 PSI. AND THE NEWER CYLINDERS
ARE 3000 PSI. IDENTIFYING THE PART
NUMBER OF THE CYLINDER IS EXTREMELY
IMPORTANT WHEN ORDERING PARTS TO
ENSURE PROPER OPERATION OF THE
HYDRAULIC CYLINDER.

I0005118
PR: t05g30n04d0036

7212, 7232, & 7252 SOIL CONDITIONER
SERVICE PARTS

3 1/2" X 10" CYLINDER 12004R
(VERSION 2, 11/03/03 & LATER)



05118

**7212, 7232, & 7252 SOIL CONDITIONER
SERVICE PARTS**

85

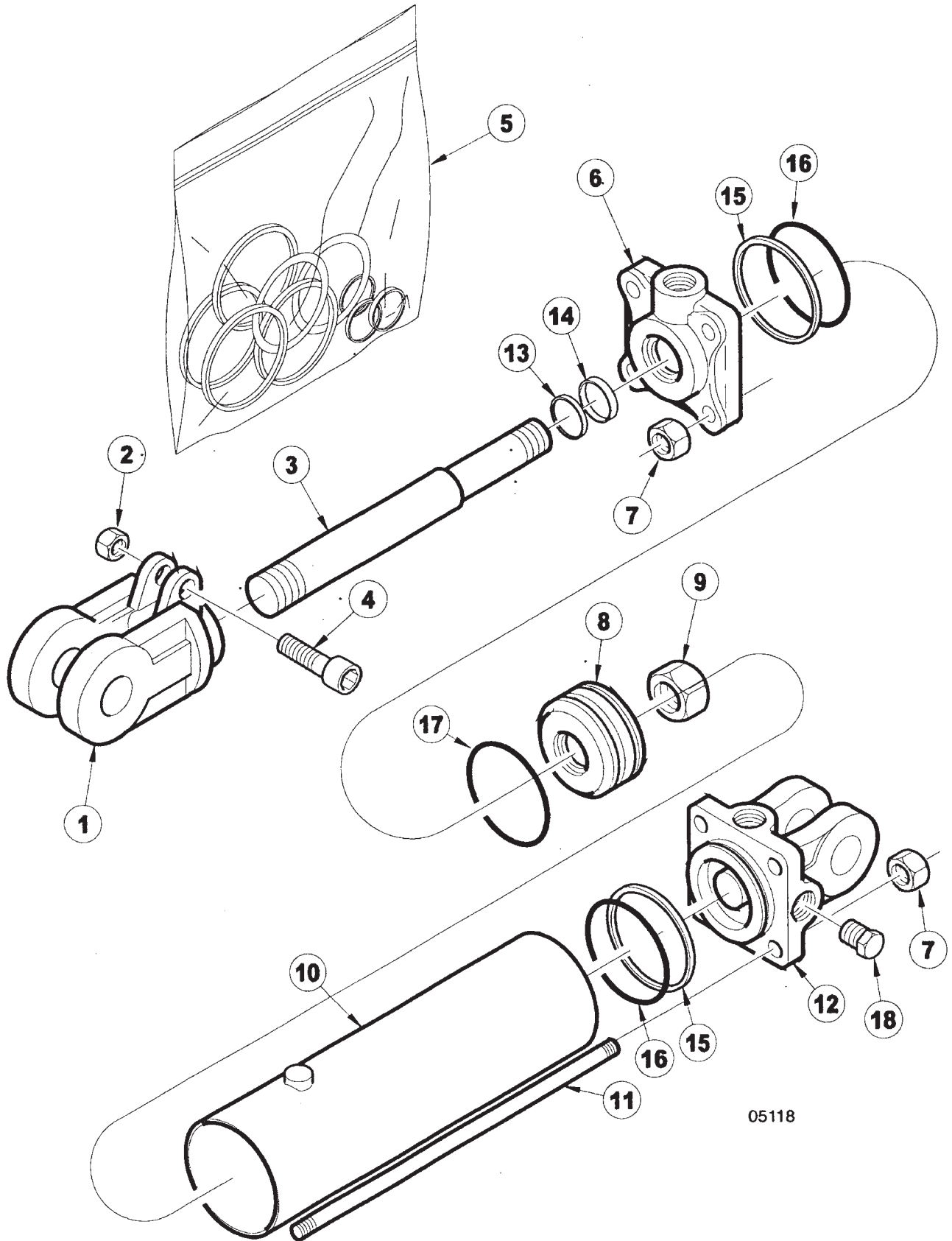
**3 1/2" X 10" CYLINDER 12004R
(VERSION 2, 11/03/03 & LATER)**

ITEM	NUMBER	QTY	DESCRIPTION
1	SN8610-1		CLEVIS, 1 1/4" THREADS, 1" PIN W/BUSHING, CROSS
2	SN8671-1		CAPSCREW NUT, 5/16" THREADS CROSS
3	SN8658-1		ROD, 1 1/4" DIA, 10" REPHASING, CROSS
4	SN8631-1		CAPSCREW, CROSS
5	SN8949-1		SEAL KIT, 3 1/2", 1 1/4" ROD, CROSS
6	SN8657-10		HEAD, 3 1/2", 1 1/4" ROD REPHASING, CROSS (ORB)
7	SN8863-1		TIE ROD NUT, 9/16" THREADS CROSSING CROSS
8	SN8978-1		PISTON, 3 1/2" W/1" HOLE CROSS
9	SN8683-1		PISTON NUT, 1" CROSS
10	SN8950-1		TUBE, 3 1/2" X 10" CROSS
11	SN8928-1		TIE ROD BOLT, 3 1/2" X 10" REPHASING, CROSS
12	SN8927-10		BASE, 3 1/2" (ORB 1" PIN) REPHASING, CROSS
13			* WIPER
14			* U-CUP
15			* BACKUP
16			* O-RING
17			* O-RING
18	SN4458		PLUG, 3/4"-16 MOR

* ITEMS ARE AVAILABLE IN THE SEAL
KIT ONLY.
WHEN ORDERING HYDRAULIC CYLINDER
COMPONENTS, BE SURE TO NOTE THE PART
NUMBER AND CYLINDER PSI. (LOCATED ON
THE CYLINDER DECAL) AS THEY CONTAIN
DIFFERENT COMPONENTS. OLDER CYLINDERS
WERE 2500 PSI. AND THE NEWER CYLINDERS
ARE 3000 PSI. IDENTIFYING THE PART
NUMBER OF THE CYLINDER IS EXTREMELY
IMPORTANT WHEN ORDERING PARTS TO
ENSURE PROPER OPERATION OF THE
HYDRAULIC CYLINDER.

I0005118
PR: t05g30n04d0037

4" X 10" HYDRAULIC CYLINDER 6635R
(VERSION 1, PRIOR TO 10/22/03)



**7212, 7232, & 7252 SOIL CONDITIONER
SERVICE PARTS**

87

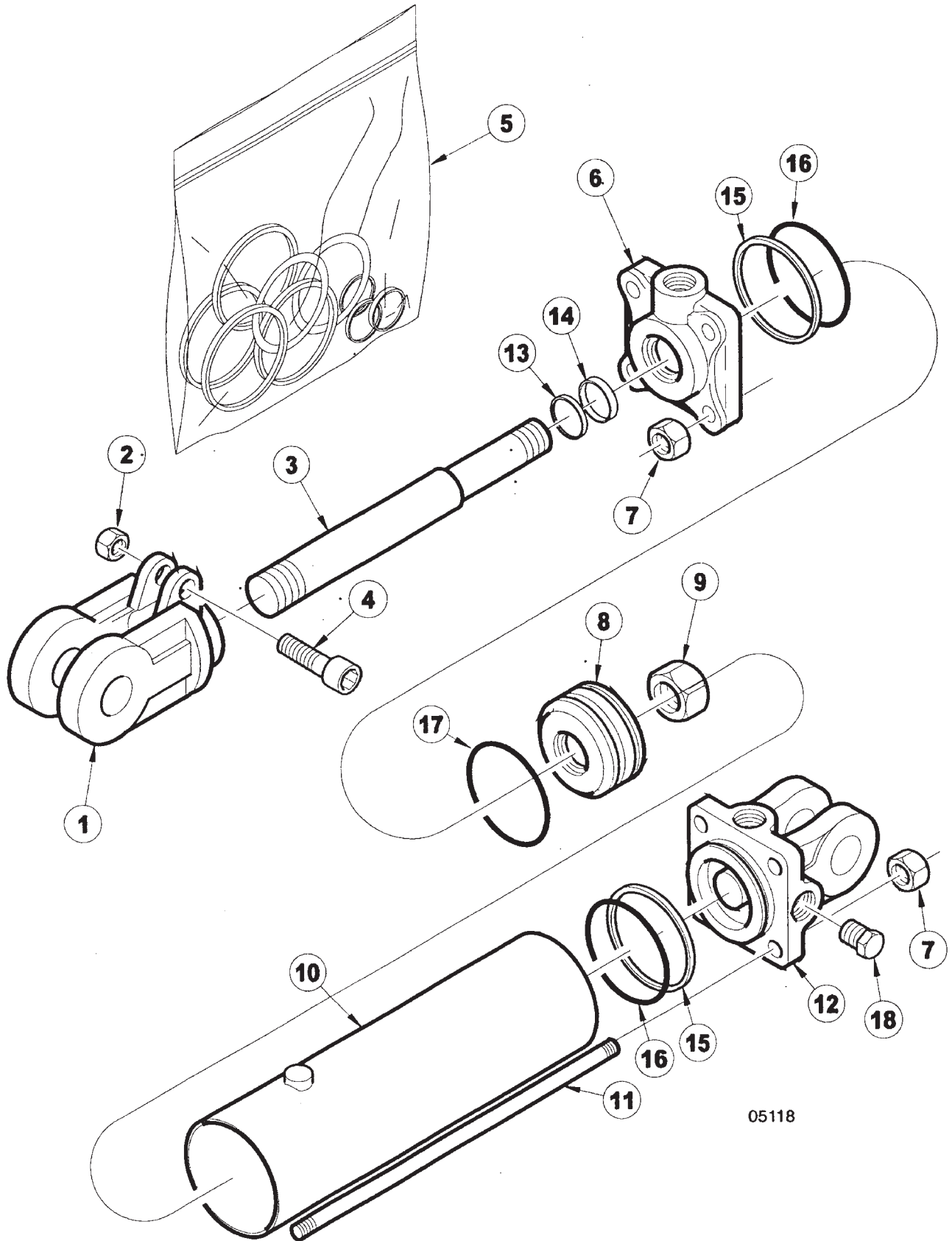
**4" X 10" HYDRAULIC CYLINDER 6635R
(VERSION 1, PRIOR TO 10/22/03)**

ITEM	NUMBER	QTY	DESCRIPTION
1	SN8617-1		CLEVIS, 1 1/2" THREADS,CROSS
2	SN8671-1		CAPSCREW NUT, 5/16" THREADS CROSS
3	SN8886-1		ROD, 1 1/2" DIA, 10" CROSS
4	SN8631-1		CAPSCREW, CROSS
5	SN8784-1		SEAL KIT, 4", 1 1/2" ROD,
6	SN8737-10		HEAD, 4", 1 1/2" ROD, CROSS (FOR USE W/U-CUP SEAL)
7	SN8864-1		TIE ROD NUT, 5/8" THREADS
8	SN8713-1		PISTON, 4" W/1" HOLE CROSS
9	SN8683-1		PISTON NUT, 1" CROSS
10	SN8832-1		TUBE, 4" X 10" CROSS
11	SN8849-1		TIE ROD BOLT, 4" X 10" CROSS
12	SN8703-10		BASE, 4" (ORB) CROSS
13			* WIPER
14			* U-CUP
15			* BACKUP
16			* O-RING
17			* O-RING
18	SN4458		PLUG, 3/4"-16 MOR

* ITEMS ARE AVAILABLE IN THE SEAL KIT ONLY.
WHEN ORDERING HYDRAULIC CYLINDER COMPONENTS, BE SURE TO NOTE THE PART NUMBER AND THE CYLINDER PSI. (LOCATED ON THE CYLINDER DECAL) AS THEY CONTAIN DIFFERENT COMPONENTS. OLDER CYLINDERS WERE 2500 PSI. AND THE NEWER CYLINDERS ARE 3000 PSI. IDENTIFYING THE PART NUMBER OF THE CYLINDER IS EXTREMELY IMPORTANT WHEN ORDERING PARTS TO ENSURE PROPER OPERATION OF THE HYDRAULIC CYLINDER.

I0005118
PR: t05g30n04d0038

4" X 10" HYDRAULIC CYLINDER 12026R
(VERSION 2, 10/22/03 & LATER)



7212, 7232, & 7252 SOIL CONDITIONER
SERVICE PARTS

89

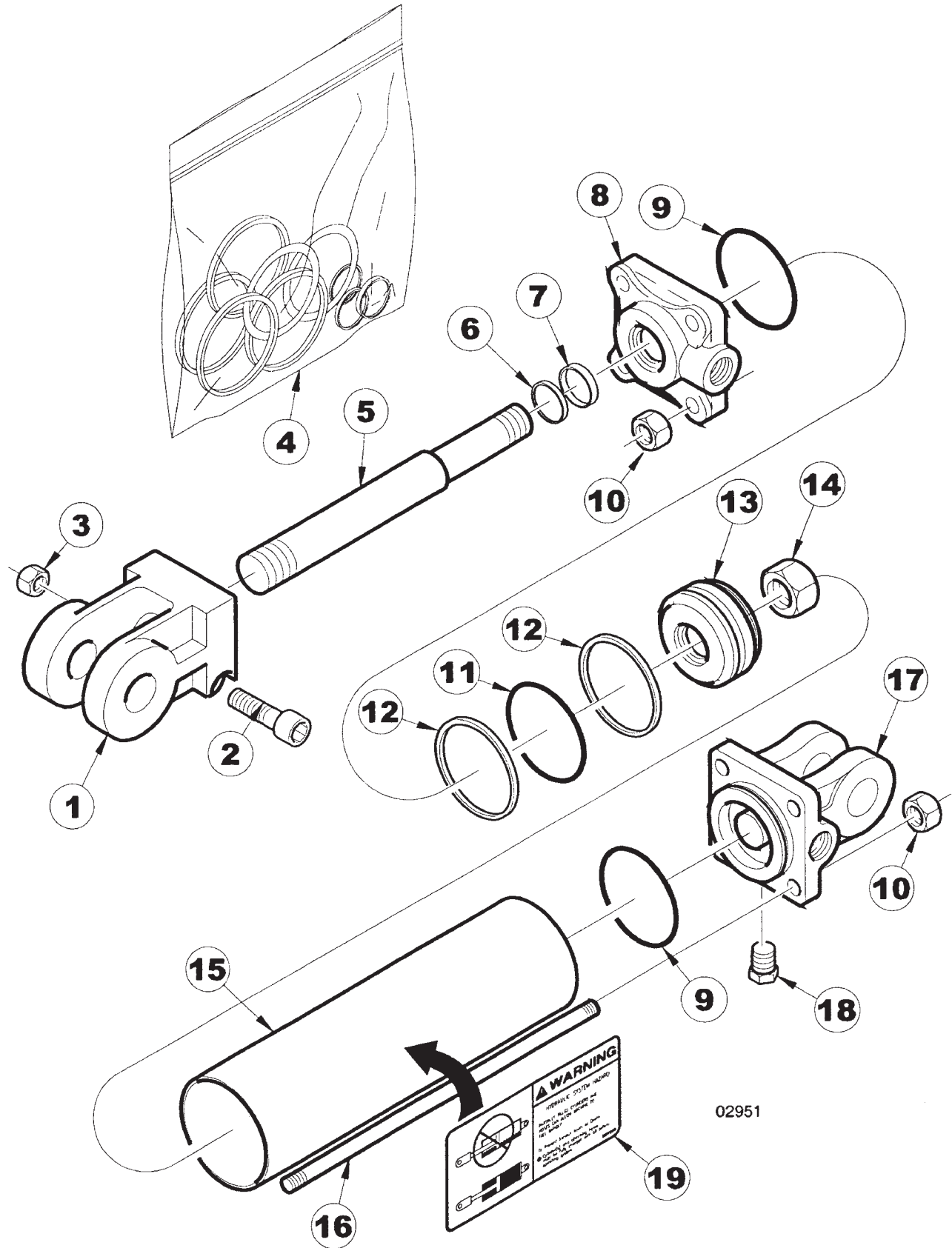
4" X 10" HYDRAULIC CYLINDER 12026R
(VERSION 2, 10/22/03 & LATER)

ITEM	NUMBER	QTY	DESCRIPTION
1	SN8617-1		CLEVIS, 1 1/2" THREADS, CROSS
2	SN8671-1		CAPSCREW NUT, 5/16" THREADS CROSS
3	SN12025		ROD, 1 1/2" DIA, 10" CROSS
4	SN8631-1		CAPSCREW, CROSS
5	SN8612-1		SEAL KIT, 4", 1 1/2" ROD, CROSS
6	SN8273-1		HEAD, 4", 1 1/2" ROD, CROSS
7	SN8864-1		TIE ROD NUT, 5/8" THREADS
8	SN8682-1		PISTON, 4" W/1" HOLE, CROSS
9	SN8683-1		PISTON NUT, 1" CROSS
10	SN8832-1		TUBE, 4" X 10" CROSS
11	SN8654-1		TIE ROD BOLT, 4" X 10" REPHASING, CROSS
12	SN8670-10		BASE, 4" (ORB) CROSS
13			* WIPER
14			* U-CUP
15			* BACKUP
16			* O-RING
17			* O-RING
18	SN4458		PLUG, 3/4"-16 MOR

* ITEMS ARE AVAILABLE IN THE SEAL
KIT ONLY.
WHEN ORDERING HYDRAULIC CYLINDER
COMPONENTS, BE SURE TO NOTE THE PART
NUMBER AND THE CYLINDER PSI. (LOCATED
ON THE CYLINDER DECAL) AS THEY CONTAIN
DIFFERENT COMPONENTS. OLDER CYLINDERS
WERE 2500 PSI. AND THE NEWER CYLINDERS
ARE 3000 PSI. IDENTIFYING THE PART
NUMBER OF THE CYLINDER IS EXTREMELY
IMPORTANT WHEN ORDERING PARTS TO
ENSURE PROPER OPERATION OF THE
HYDRAULIC CYLINDER.

I0005118
PR: t05g30n04d0039

3 1/2" X 24" HYDRAULIC CYLINDER 7841R
(VERSION 1)



**7212, 7232, & 7252 SOIL CONDITIONER
SERVICE PARTS**

91

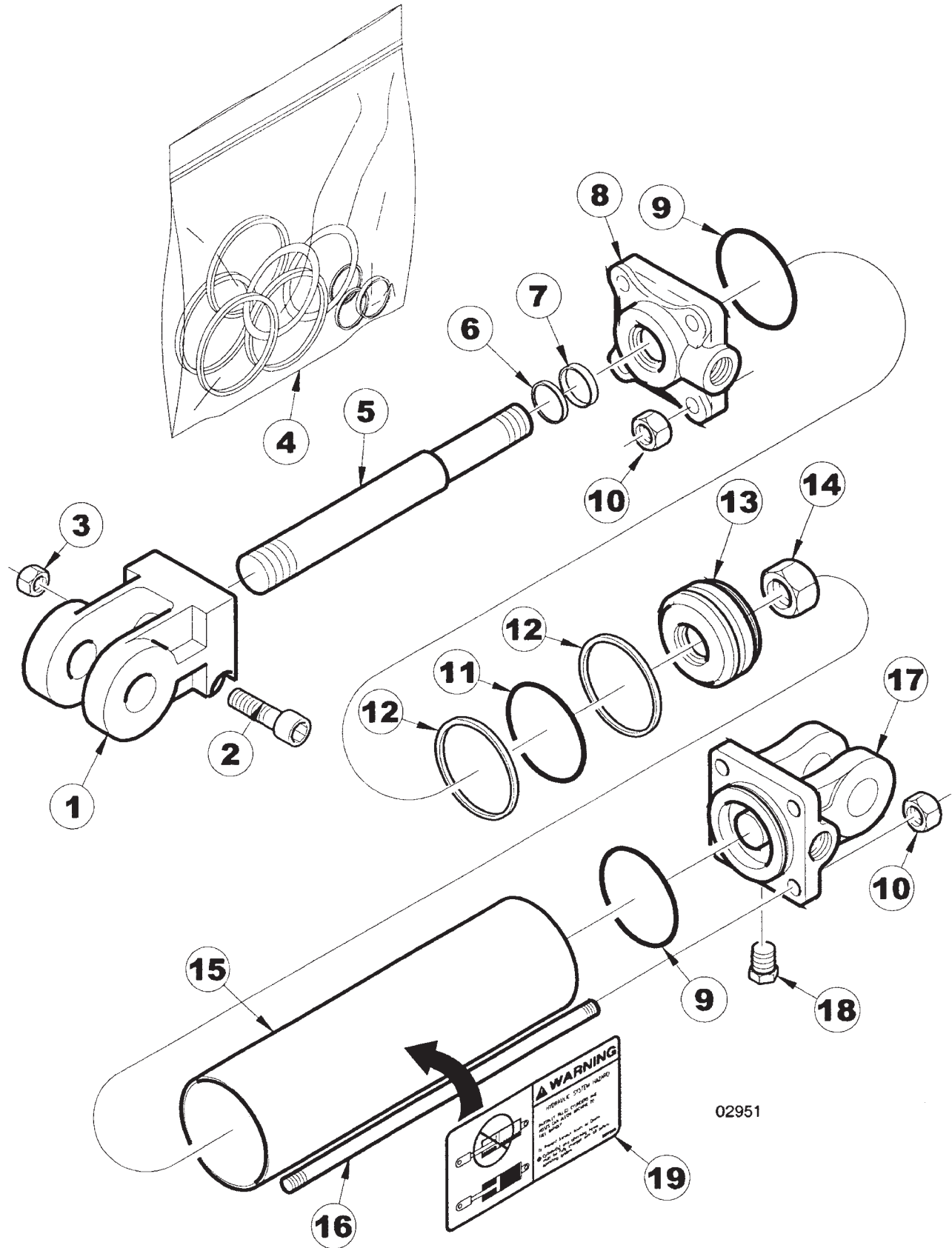
**3 1/2" X 24" HYDRAULIC CYLINDER 7841R
(VERSION 1)**

ITEM	NUMBER	QTY	DESCRIPTION
1	SN8616-1		CLEVIS, 1 1/2" THREADS, 1" PIN CROSS GS, 4" X 8", CROSS
2	SN8631-1		CAPSCREW, CROSS
3	SN8671-1		CAPSCREW NUT, 5/16" THREADS CROSS
4	SN8778-1		SEAL KIT, 3 1/2", 1 1/2" ROD CROSS
5	SN8955-1		ROD, 1 1/2" DIA, 24" CROSS
6			* WIPER
7			* U-CUP
8	SN8734-10		HEAD, 3 1/2", 1 1/2" ROD, CROSS (ORB)
9			* O-RING
10	SN8863-1		TIE ROD NUT, 9/16" THREADS CROSS ING CROSS
11			* O-RING
12			* BACKUP
13	SN8712-1		PISTON, 3 1/2" W/1" HOLE CROSS
14	SN8686-1		PISTON NUT, 1" THREAD, CROSS
15	SN8915-1		ROD, 1 3/4" DIA, 16" CROSS
16	SN8842-1		TIE ROD BOLT, 3 1/2" X 24" CROSS E
17	SN8702-10		BASE, 3 1/2" (ORB) CROSS
18	SN4458		PLUG, 3/4"-16 MOR
19	SN997309		HYDRAULIC SYSTEM HAZARD

* ITEMS ARE AVAILABLE IN THE SEAL KIT ONLY.
WHEN ORDERING HYDRAULIC CYLINDER COMPONENTS, BE SURE TO NOTE THE PART # AND THE CYLINDER PSI. (LOCATED ON THE CYLINDER DECAL) AS THEY CONTAIN DIFFERENT COMPONENTS. OLDER CYLINDERS WERE 2500 PSI. AND THE NEWER CYLINDERS ARE 3000 PSI. IDENTIFYING THE PART NUMBER OF THE CYLINDER IS EXTREMELY IMPORTANT WHEN ORDERING PARTS TO ENSURE PROPER OPERATION OF THE HYDRAULIC CYLINDER.

I0002951
PR: t05g30n04d0040

3 1/2" X 24" HYDRAULIC CYLINDER
12020R (VERSION 2)



**7212, 7232, & 7252 SOIL CONDITIONER
SERVICE PARTS**

93

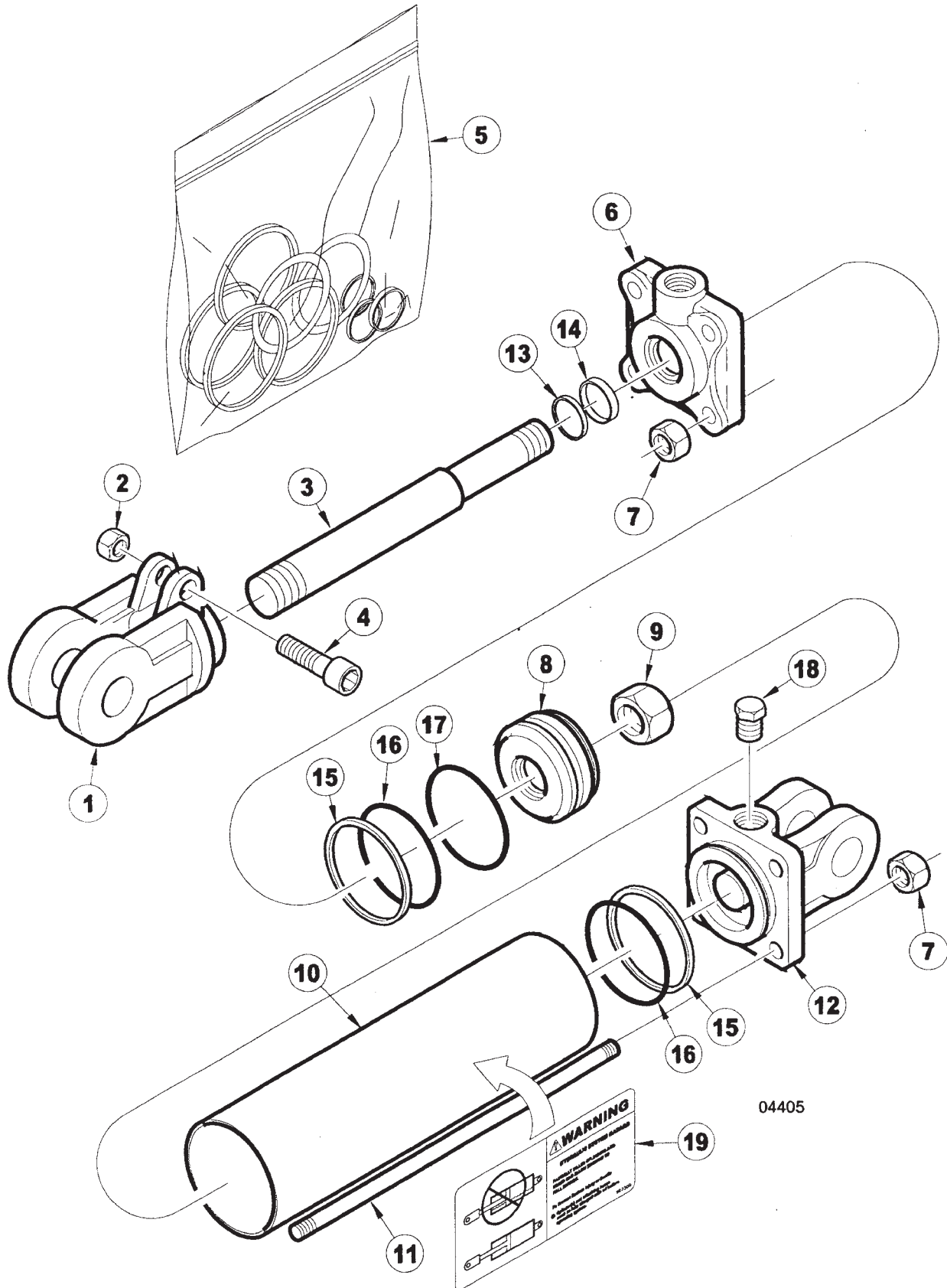
**3 1/2" X 24" HYDRAULIC CYLINDER
12020R (VERSION 2)**

ITEM	NUMBER	QTY	DESCRIPTION
1	SN8616-1		CLEVIS, 1 1/2" THREADS, 1" PIN CROSS GS, 4" X 8", CROSS
2	SN8631-1		CAPSCREW, CROSS
3	SN8671-1		CAPSCREW NUT, 5/16" THREADS CROSS
4	SN12015		SEAL KIT, 3 1/2", 1 1/2" ROD CROSS
5	SN12017		ROD, 1 1/2" DIA, 24" CROSS
6			* WIPER
7			* U-CUP
8	SN12018		HEAD, 3 1/2", 1 1/2" ROD, CROSS (ORB)
9			* O-RING
10	SN8863-1		TIE ROD NUT, 9/16" THREADS CROSSING CROSS
11			* O-RING
12			* BACKUP
13	SN8978-1		PISTON, 3 1/2" W/1" HOLE CROSS
14	SN8683-1		PISTON NUT, 1" CROSS
15	SN12016		TUBE, 3 1/2" X 24" CROSS
16	SN12019		TIE ROD BOLT, 3 1/2" X 24" CROSS
17	SN8927-10		BASE, 3 1/2" (ORB 1" PIN) REPHASING, CROSS
18	SN4458		PLUG, 3/4"-16 MOR
19	SN997309		HYDRAULIC SYSTEM HAZARD

* ITEMS ARE AVAILABLE IN THE SEAL
KIT ONLY.
WHEN ORDERING HYDRAULIC CYLINDER
COMPONENTS, BE SURE TO NOTE THE PART
AND THE CYLINDER PSI. (LOCATED ON
THE CYLINDER DECAL) AS THEY CONTAIN
DIFFERENT COMPONENTS. OLDER CYLINDERS
WERE 2500 PSI. AND THE NEWER CYLINDERS
ARE 3000 PSI. IDENTIFYING THE PART
NUMBER OF THE CYLINDER IS EXTREMELY
IMPORTANT WHEN ORDERING PARTS TO
ENSURE PROPER OPERATION OF THE
HYDRAULIC CYLINDER.

I0002951
PR: t05g30n04d0041

4" X 24" HYDRAULIC CYLINDER 4405R
(VERSION 1, PRIOR TO 4/17/03)



**7212, 7232, & 7252 SOIL CONDITIONER
SERVICE PARTS**

95

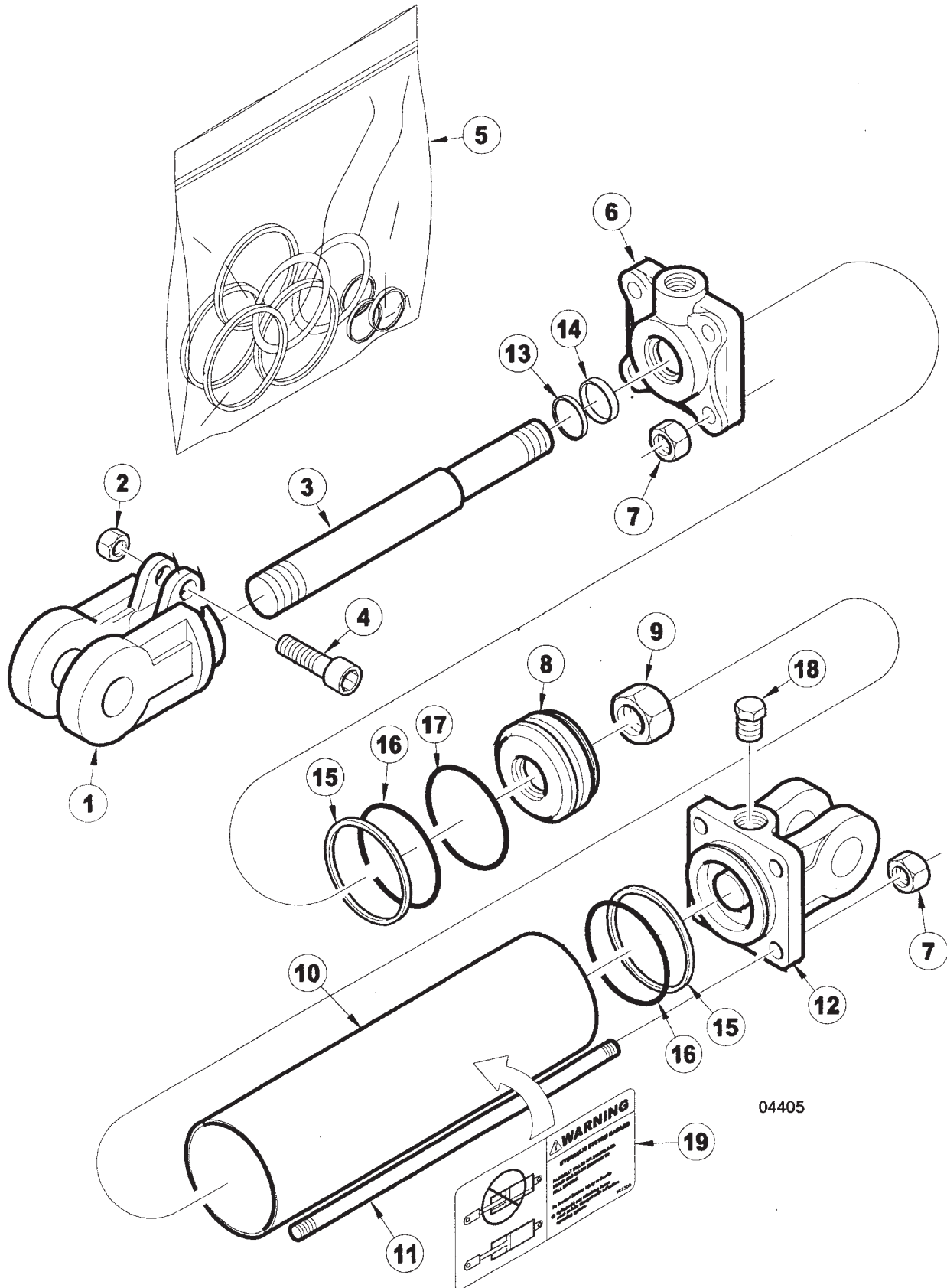
**4" X 24" HYDRAULIC CYLINDER 4405R
(VERSION 1, PRIOR TO 4/17/03)**

ITEM	NUMBER	QTY	DESCRIPTION
1	SN8615-1		CLEVIS, 1 1/4" THREADS, CROSS
2	SN8671-1		CAPSCREW NUT, 5/16" THREADS CROSS
3	SN8924-1		ROD, 1 1/2" DIA, 24" CROSS
4	SN8631-1		CAPSCREW, CROSS
5	SN8784-1		SEAL KIT, 4", 1 1/2" ROD, CROSS
6	SN8737-10		HEAD, 4", 1 1/2" ROD, CROSS (FOR USE W/U-CUP SEAL)
7	SN8864-1		TIE ROD NUT, 5/8" THREADS
8	SN8713-1		PISTON, 4" W/1" HOLE CROSS
9	SN8683-1		PISTON NUT, 1" CROSS
10	SN8835-1		TUBE, 4" X 24" CROSS
11	SN8855-1		TIE ROD BOLT, 24" CROSS
12	SN8703-10		BASE, 4" (ORB) CROSS
13			* WIPER
14			* U-CUP
15			* BACKUP
16			* O-RING
17			* O-RING
18	SN4458		PLUG, 3/4"-16 MOR
19	SN997309		HYDRAULIC SYSTEM HAZARD

* ITEMS ARE AVAILABLE IN THE SEAL KIT ONLY.
WHEN ORDERING HYDRAULIC CYLINDER COMPONENTS, BE SURE TO NOTE THE PART NUMBER AND THE CYLINDER PSI. (LOCATED ON THE CYLINDER DECAL) AS THEY CONTAIN DIFFERENT COMPONENTS. OLDER CYLINDERS WERE 2500 PSI. AND THE NEWER CYLINDERS ARE 3000 PSI. IDENTIFYING THE PART NUMBER OF THE CYLINDER IS EXTREMELY IMPORTANT WHEN ORDERING PARTS TO ENSURE PROPER OPERATION OF THE HYDRAULIC CYLINDER.

I0004405
PR: t05g30n04d0042

4" X 24" HYDRAULIC CYLINDER 10813R
(VERSION 2, 4/17/03 & LATER)



04405

**7212, 7232, & 7252 SOIL CONDITIONER
SERVICE PARTS**

97

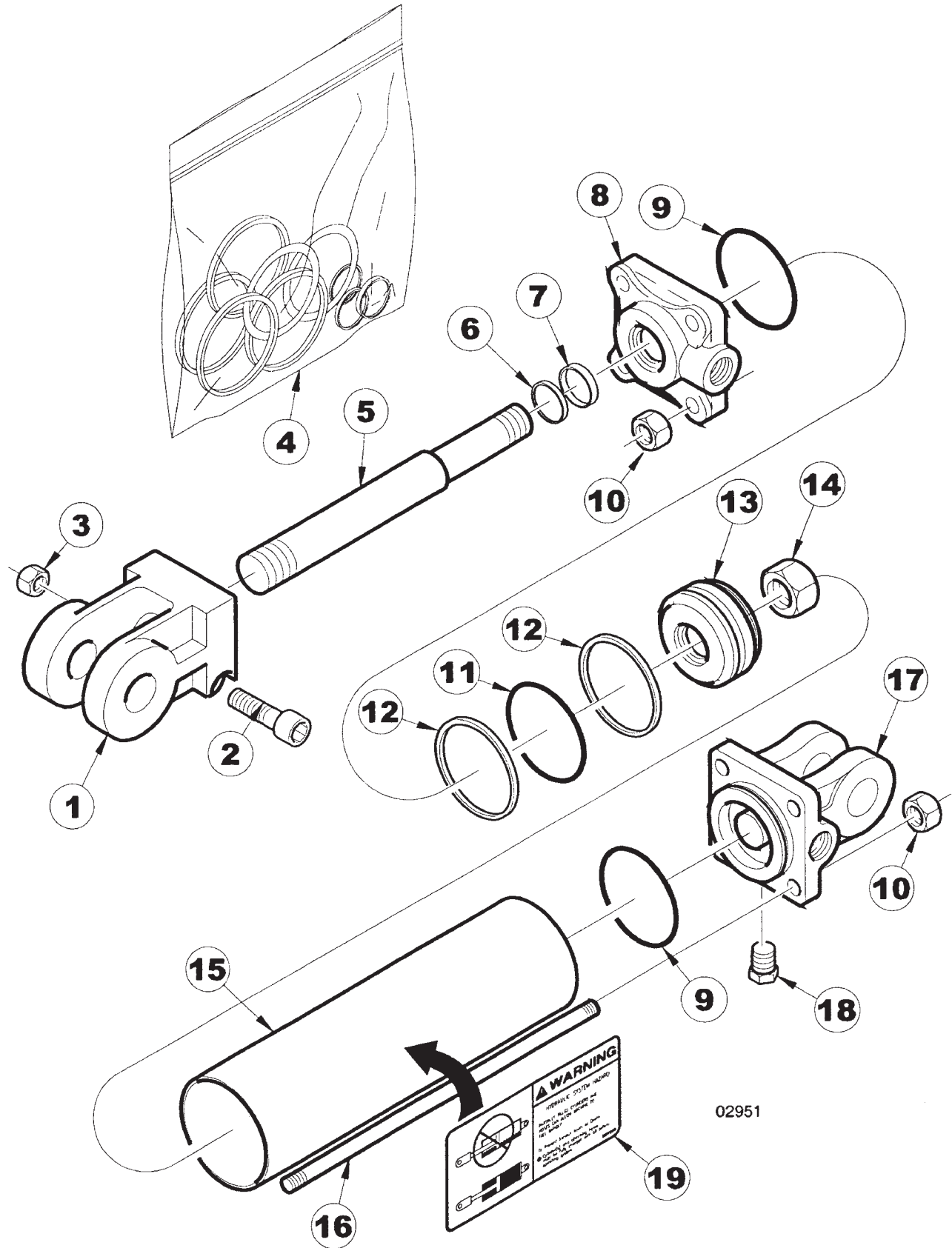
**4" X 24" HYDRAULIC CYLINDER 10813R
(VERSION 2, 4/17/03 & LATER)**

ITEM	NUMBER	QTY	DESCRIPTION
1	SN8616-1		CLEVIS, 1 1/2" THREADS, 1" PIN CROSS GS, 4" X 8", CROSS
2	SN8671-1		CAPSCREW NUT, 5/16" THREADS CROSS
3	SN8926-1		ROD, 1 1/2" DIA, 24", CROSS
4	SN8631-1		CAPSCREW, CROSS
5	SN8612-1		SEAL KIT, 4", 1 1/2" ROD, CROSS
6	SN8273-1		HEAD, 4", 1 1/2" ROD, CROSS
7	SN8864-1		TIE ROD NUT, 5/8" THREADS
8	SN8682-1		PISTON, 4" W/1" HOLE, CROSS
9	SN8683-1		PISTON NUT, 1" CROSS
10	SN8835-1		TUBE, 4" X 24" CROSS
11	SN8605-1		TIE ROD BOLT, 4" X 24", CROSS
12	SN8670-10		BASE, 4" (ORB) CROSS
13			* WIPER
14			* U-CUP
15			* BACKUP
16			* O-RING
17			* O-RING
18	SN4458		PLUG, 3/4"-16 MOR
19	SN997309		HYDRAULIC SYSTEM HAZARD

* ITEMS ARE AVAILABLE IN THE SEAL KIT ONLY.
WHEN ORDERING HYDRAULIC CYLINDER COMPONENTS, BE SURE TO NOTE THE PART NUMBER AND THE CYLINDER PSI. (LOCATED ON THE CYLINDER DECAL) AS THEY CONTAIN DIFFERENT COMPONENTS. OLDER CYLINDERS WERE 2500 PSI. AND THE NEWER CYLINDERS ARE 3000 PSI. IDENTIFYING THE PART NUMBER OF THE CYLINDER IS EXTREMELY IMPORTANT WHEN ORDERING PARTS TO ENSURE PROPER OPERATION OF THE HYDRAULIC CYLINDER.

I0004405
PR: t05g30n04d0043

4" X 30" HYDRAULIC CYLINDER 4403R
(VERSION 1, PRIOR TO 4/17/03)



7212, 7232, & 7252 SOIL CONDITIONER
SERVICE PARTS

99

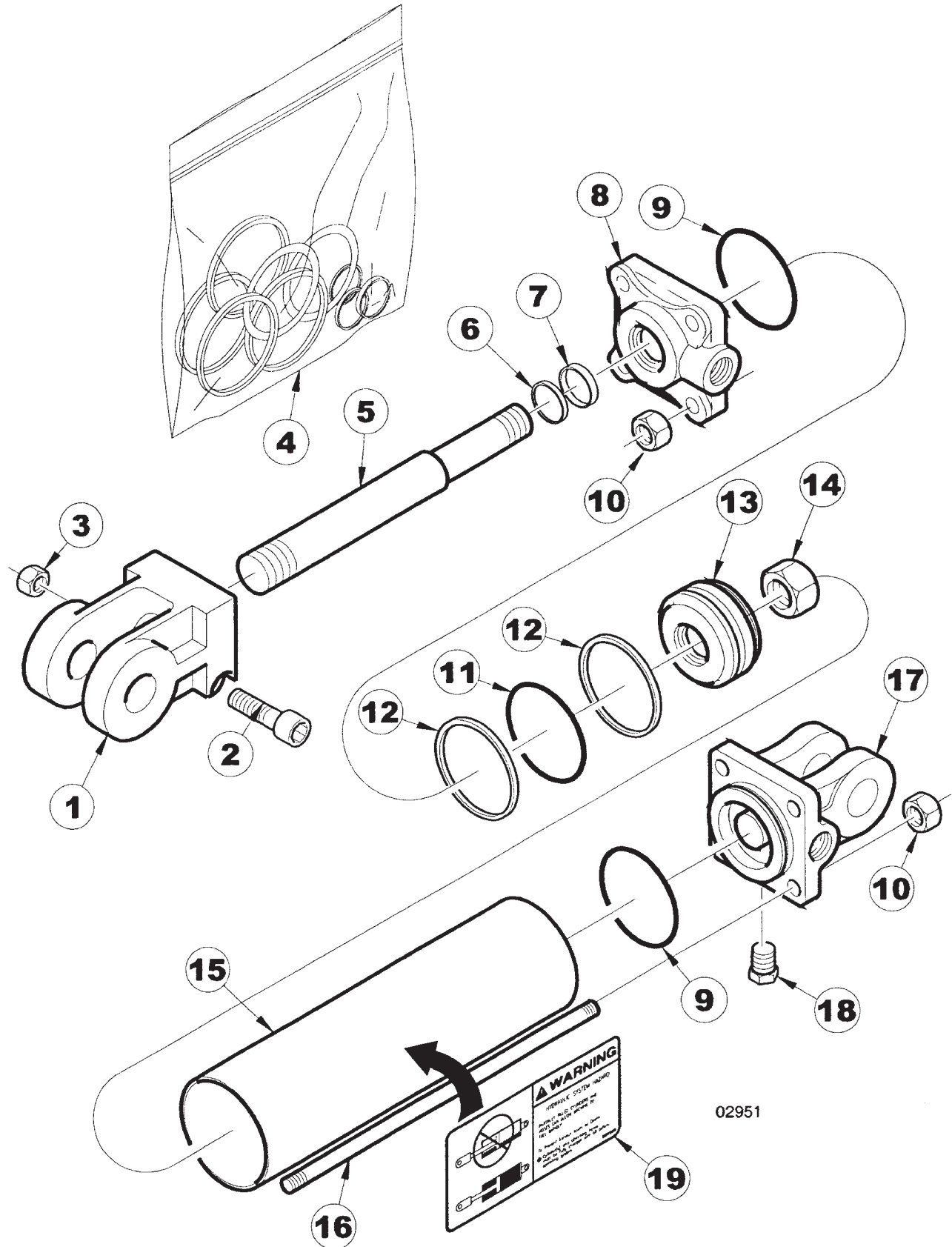
4" X 30" HYDRAULIC CYLINDER 4403R
(VERSION 1, PRIOR TO 4/17/03)

ITEM	NUMBER	QTY	DESCRIPTION
1	SN8615-1		CLEVIS, 1 1/4" THREADS, CROSS
2	SN8631-1		CAPSCREW, CROSS
3	SN8671-1		CAPSCREW NUT, 5/16" THREADS CROSS
4	SN8784-1		SEAL KIT, 4", 1 1/2" ROD,
5	SN8934-1		ROD, 1 1/2" DIA, 30" CROSS
6			* WIPER
7			* U-CUP
8	SN8737-10		HEAD, 4", 1 1/2" ROD, CROSS (FOR USE W/U-CUP SEAL)
9			* O-RING
10	SN8864-1		TIE ROD NUT, 5/8" THREADS
11			* O-RING
12			* BACKUP
13	SN8713-1		PISTON, 4" W/1" HOLE CROSS
14	SN8683-1		PISTON NUT, 1" CROSS
15	SN8837-1		TUBE, 4" X 30" CROSS
16	SN8858-1		TIE ROD BOLT, 4" X 30" CROSS
17	SN8703-10		BASE, 4" (ORB) CROSS
18	SN4458		PLUG, 3/4"-16 MOR
19	SN997309		HYDRAULIC SYSTEM HAZARD

* ITEMS ARE AVAILABLE IN THE
SEAL KIT ONLY.
WHEN ORDERING HYDRAULIC CYLINDER
COMPONENTS, BE SURE TO NOTE THE PART
NUMBER AND THE CYLINDER PSI. (LOCATED
ON THE CYLINDER DECAL) AS THEY CONTAIN
DIFFERENT COMPONENTS. OLDER CYLINDERS
WERE 2500 PSI. AND THE NEWER CYLINDERS
ARE 3000 PSI. IDENTIFYING THE PART
NUMBER OF THE CYLINDER IS EXTREMELY
IMPORTANT WHEN ORDERING PARTS TO
ENSURE PROPER OPERATION OF THE
HYDRAULIC CYLINDER.

I0002951
PR: t05g30n04d0044

4" X 30" HYDRAULIC CYLINDER 10812R
(VERSION 2, 4/17/03 & LATER)



7212, 7232, & 7252 SOIL CONDITIONER
SERVICE PARTS

101

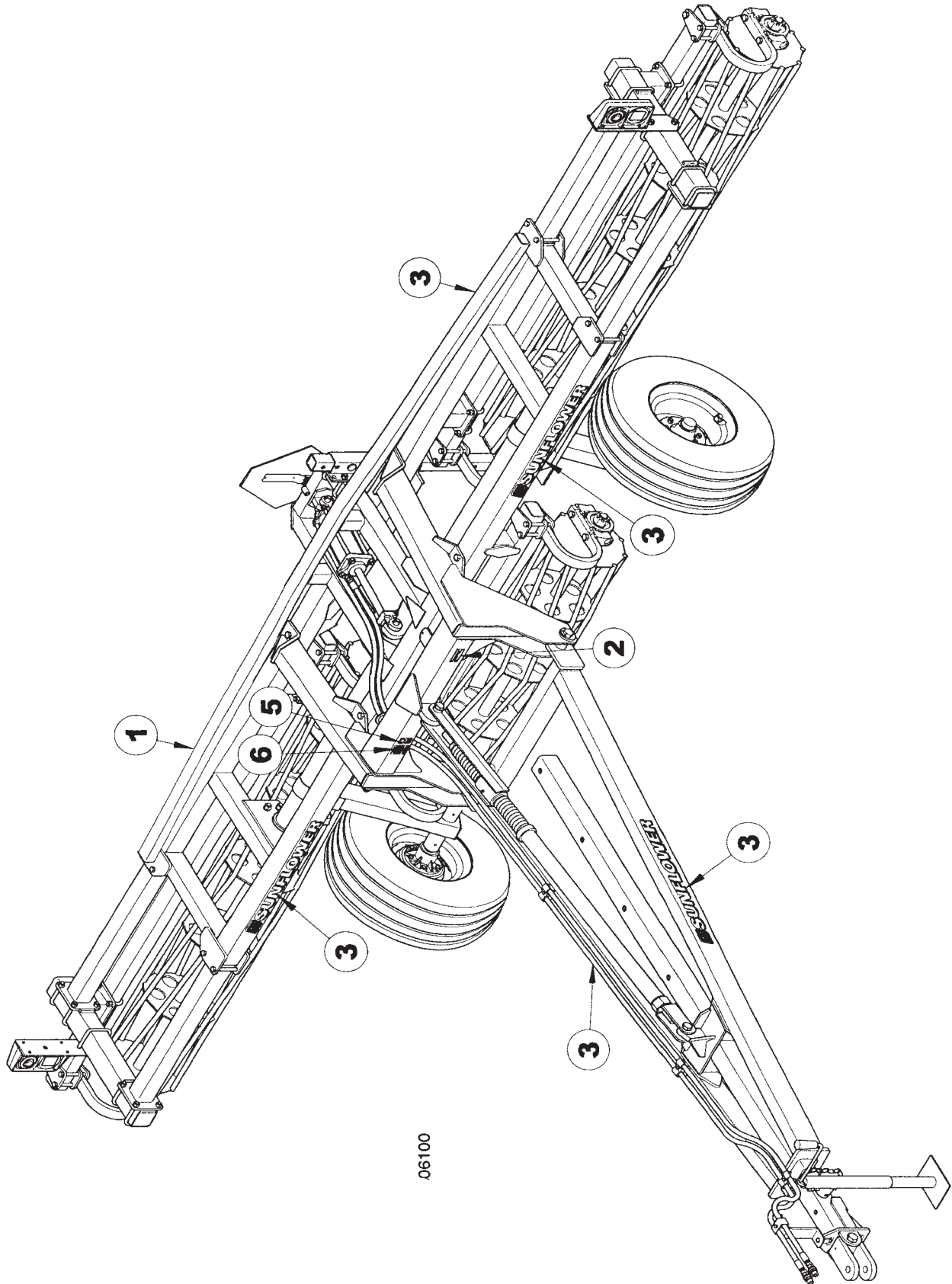
4" X 30" HYDRAULIC CYLINDER 10812R
(VERSION 2, 4/17/03 & LATER)

ITEM	NUMBER	QTY	DESCRIPTION
1	SN8616-1		CLEVIS, 1 1/2" THREADS, 1" PIN CROSS GS, 4" X 8", CROSS
2	SN8631-1		CAPSCREW, CROSS
3	SN8671-1		CAPSCREW NUT, 5/16" THREADS CROSS
4	SN8612-1		SEAL KIT, 4", 1 1/2" ROD, CROSS
5	SN8923-1		ROD, 1 1/2" DIA, 30", CROSS
6			* WIPER
7			* U-CUP
8	SN8273-1		HEAD, 4", 1 1/2" ROD, CROSS
9			* O-RING
10	SN8864-1		TIE ROD NUT, 5/8" THREADS
11			* O-RING
12			* BACKUP
13	SN8682-1		PISTON, 4" W/1" HOLE, CROSS
14	SN8683-1		PISTON NUT, 1" CROSS
15	SN8837-1		TUBE, 4" X 30" CROSS
16	SN8602-1		TIE ROD BOLT, 4" X 30", CROSS
17	SN8670-10		BASE, 4" (ORB) CROSS
18	SN4458		PLUG, 3/4"-16 MOR
19	SN997309		HYDRAULIC SYSTEM HAZARD

* ITEMS ARE AVAILABLE IN THE SEAL
KIT ONLY.
WHEN ORDERING HYDRAULIC CYLINDER
COMPONENTS, BE SURE TO NOTE THE PART
NUMBER AND THE CYLINDER PSI. (LOCATED
ON THE CYLINDER DECAL) AS THEY CONTAIN
DIFFERENT COMPONENTS. OLDER CYLINDERS
WERE 2500 PSI. AND THE NEWER CYLINDERS
ARE 3000 PSI. IDENTIFYING THE PART
NUMBER OF THE CYLINDER IS EXTREMELY
IMPORTANT WHEN ORDERING PARTS TO
ENSURE PROPER OPERATION OF THE
HYDRAULIC CYLINDER.

I0002951
PR: t05g30n04d0045

DECAL PLACEMENT (RIGID MACHINE)



06100

**7212, 7232, & 7252 SOIL CONDITIONER
SERVICE PARTS**

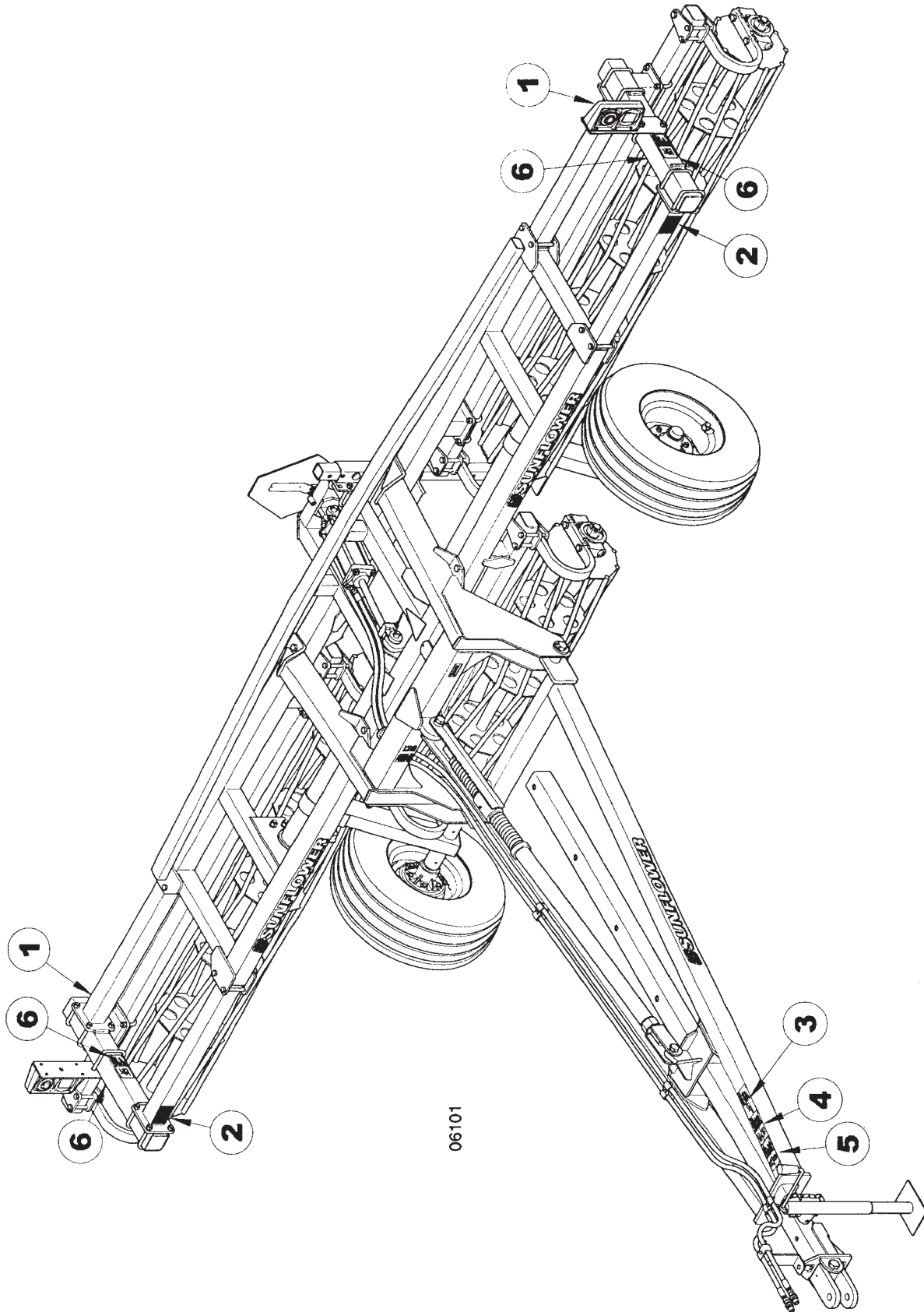
103

DECAL PLACEMENT (RIGID MACHINE)

ITEM	NUMBER	QTY	DESCRIPTION
1	SN997720		DECAL, 7212
2			SERIAL NUMBER PLATE
3	SN997002		SUNFLOWER DECAL
4	SN997263		DECAL, TILLAGE PROMOTES A SAFER ENVIRONMENT FOR TOMORROW
5	SN997246		FEMA DECAL

I0006100
PR: t05g30n04d0046

SAFETY SIGN PLACEMENT (RIGID MACHINE)



7212, 7232, & 7252 SOIL CONDITIONER
SERVICE PARTS

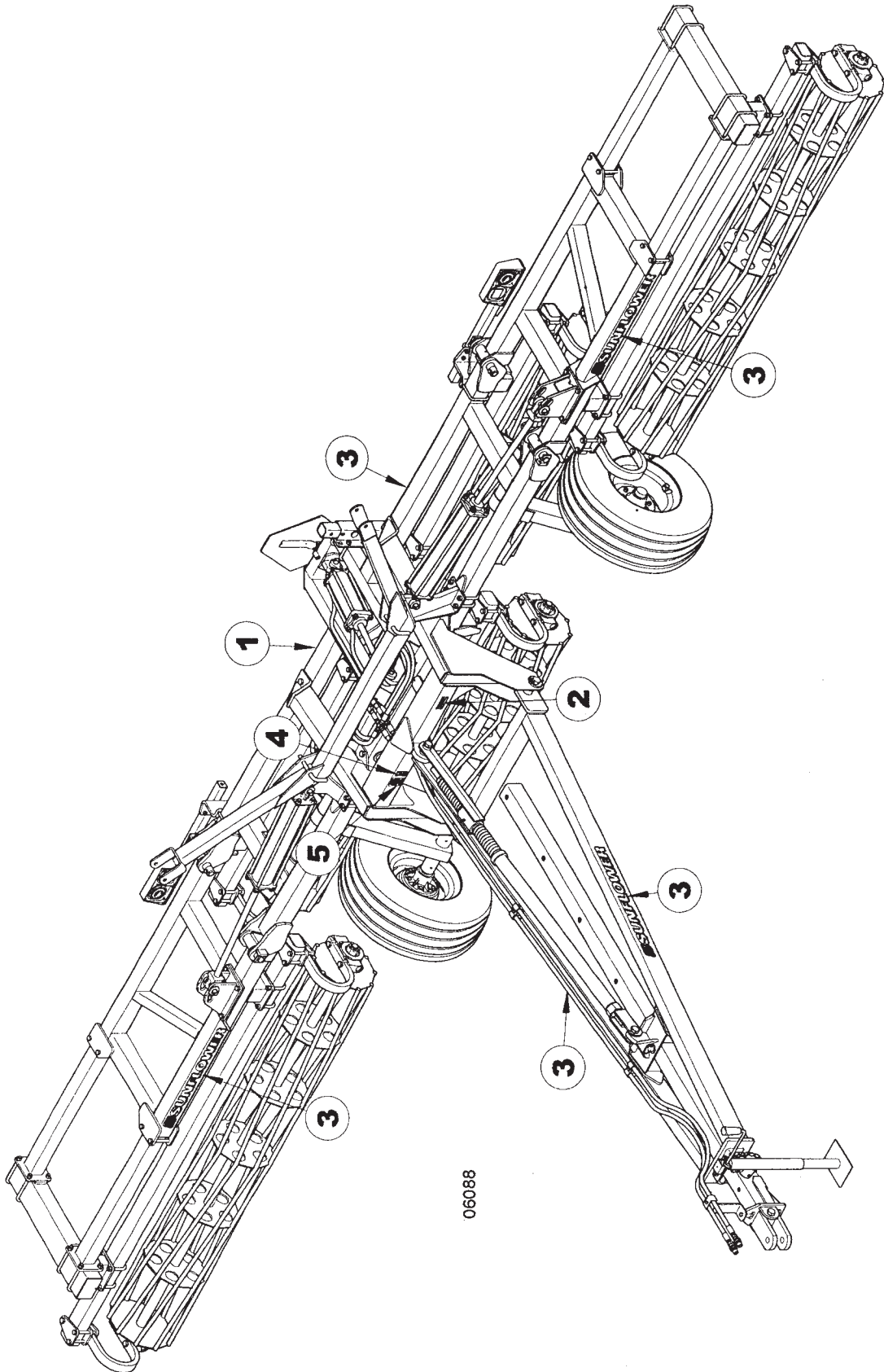
105

SAFETY SIGN PLACEMENT (RIGID MACHINE)

ITEM	NUMBER	QTY	DESCRIPTION
1	SN997040		RED REFLECTIVE TAPE
2	SN997041		YELLOW REFLECTIVE TAPE
3	SN997074		UNHITCHING HAZARD
4	SN997311		HIGH PRESSURE FLUID HAZARD
5	SN997792		DECAL-WARNING,READ OPERATOR'S MANUAL
6	SN997048		FASTEN SAFETY CHAIN
7	SN997042		STAY CLEAR OF FOLDING WINGS

I0006101
PR: t05g30n04d0047

DECAL PLACEMENT (3-SECTION MACHINE)



7212, 7232, & 7252 SOIL CONDITIONER
SERVICE PARTS

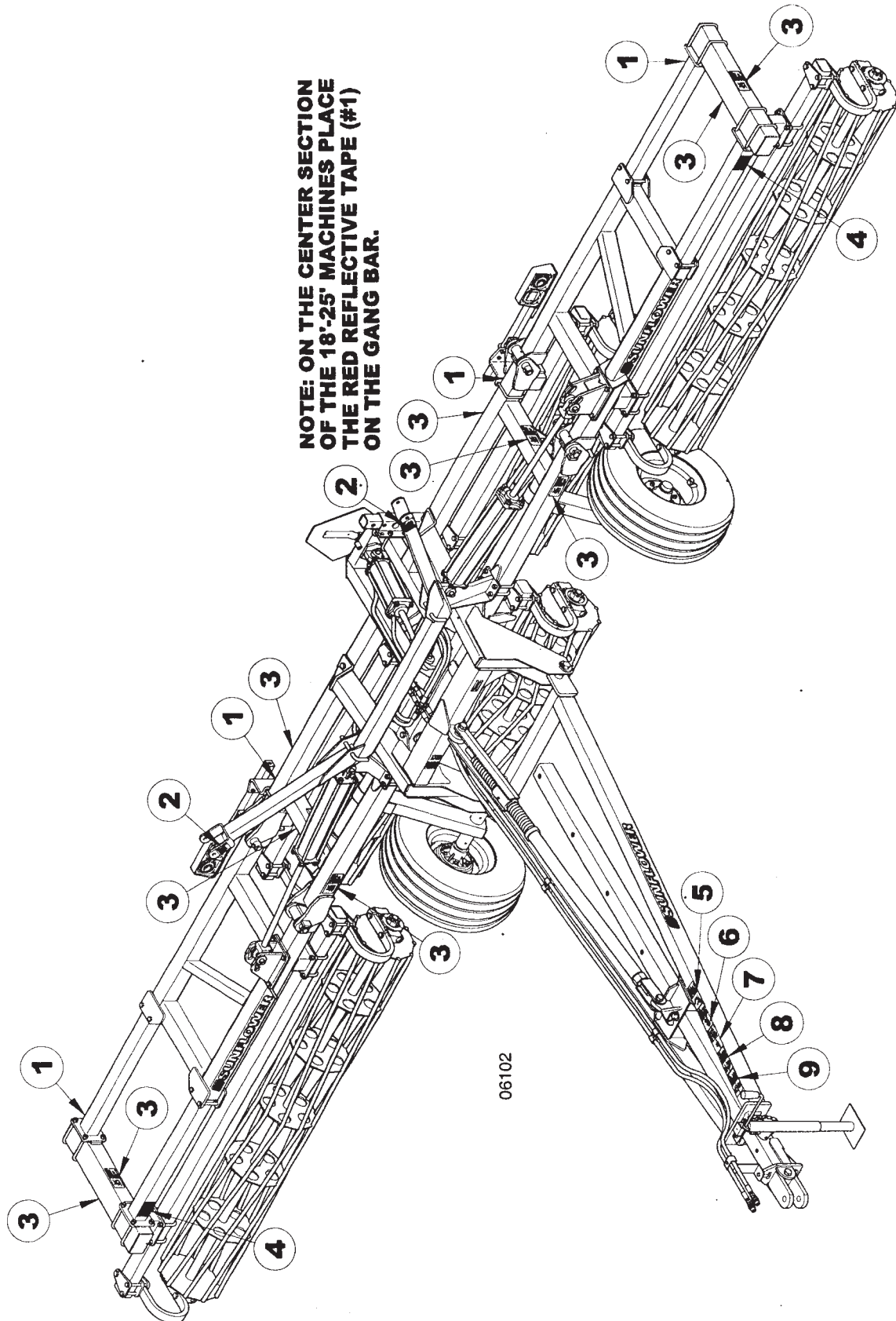
107

DECAL PLACEMENT (3-SECTION MACHINE)

ITEM	NUMBER	QTY	DESCRIPTION
1	SN997721		DECAL, 7232
2			SERIAL NUMBER PLATE
3	SN997002		SUNFLOWER DECAL
4	SN997246		FEMA DECAL
5	SN997263		DECAL, TILLAGE PROMOTES A SAFER ENVIRONMENT FOR TOMORROW

I0006088
PR: t05g30n04d0048

**SAFETY SIGN PLACEMENT
(3-SECTION MACHINE)**



**7212, 7232, & 7252 SOIL CONDITIONER
SERVICE PARTS**

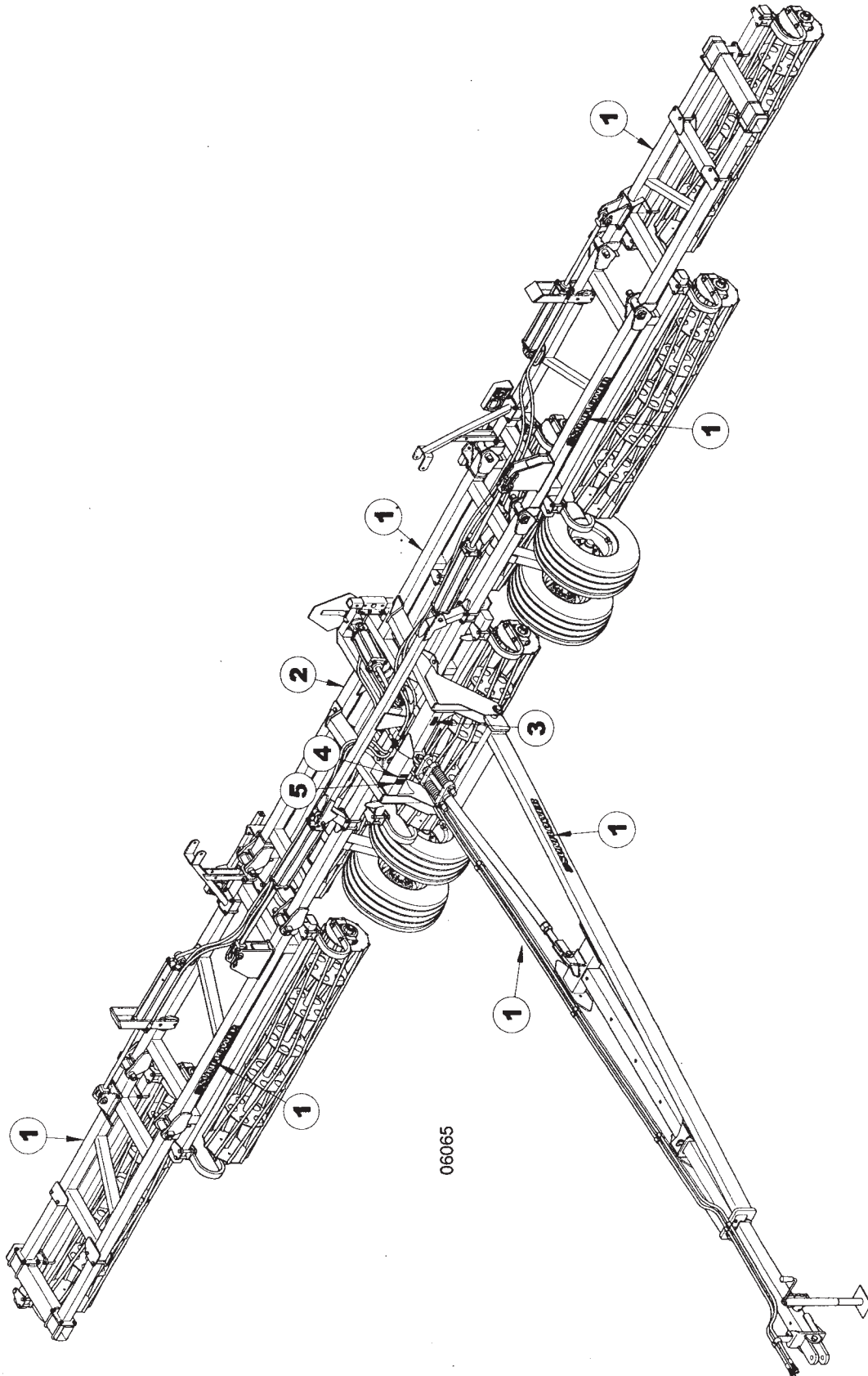
109

**SAFETY SIGN PLACEMENT
(3-SECTION MACHINE)**

ITEM	NUMBER	QTY	DESCRIPTION
1	SN997040		RED REFLECTIVE TAPE
2	SN997313		CAUTION - INSTALL LOCK PINS BEFORE TRANSPORTING
3	SN997042		STAY CLEAR OF FOLDING WINGS
4	SN997041		YELLOW REFLECTIVE TAPE
5	SN997310		TIPPING HAZARD
6	SN997045		WINGS CAN CONTACT ELECTRIC
7	SN997074		UNHITCHING HAZARD
8	SN997311		HIGH PRESSURE FLUID HAZARD
9	SN997792		DECAL-WARNING,READ OPERATOR'S MANUAL
10	SN997048		FASTEN SAFETY CHAIN

I0006102
PR: t05g30n04d0049

DECAL PLACEMENT (ALL 5-SECTION
MACHINES)



**7212, 7232, & 7252 SOIL CONDITIONER
SERVICE PARTS**

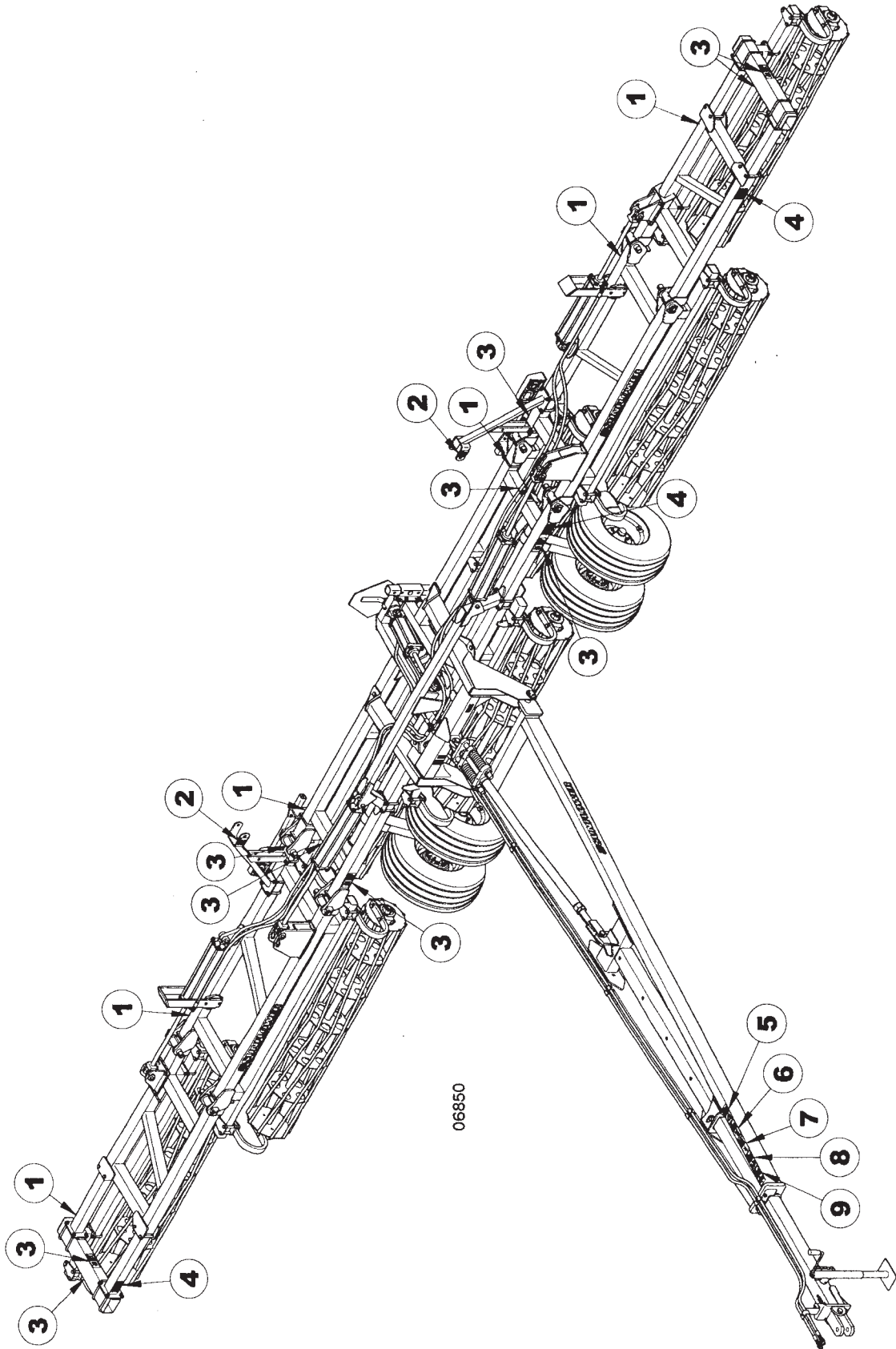
111

**DECAL PLACEMENT (ALL 5-SECTION
MACHINES)**

ITEM	NUMBER	QTY	DESCRIPTION
1	SN997002		SUNFLOWER DECAL
2	SN997722		DECAL, 7252
3			SERIAL NUMBER PLATE
4	SN997246		FEMA DECAL
5	SN997263		DECAL, TILLAGE PROMOTES A SAFER ENVIRONMENT FOR TOMORROW

I0006065
PR: t05g30n04d0050

SAFETY SIGN PLACEMENT (32'-37'
FIVE SECTION)



**7212, 7232, & 7252 SOIL CONDITIONER
SERVICE PARTS**

113

**SAFETY SIGN PLACEMENT (32'-37'
FIVE SECTION)**

ITEM	NUMBER	QTY	DESCRIPTION
1	SN997040		RED REFLECTIVE TAPE
2	SN997313		CAUTION - INSTALL LOCK PINS
3	SN997042		STAY CLEAR OF FOLDING WINGS
4	SN997041		YELLOW REFLECTIVE TAPE
5	SN997310		TIPPING HAZARD
6	SN997045		WINGS CAN CONTACT ELECTRIC
7	SN997074		UNHITCHING HAZARD
8	SN997311		HIGH PRESSURE FLUID HAZARD
9	SN997792		DECAL-WARNING,READ OPERATOR'S MANUAL
10	SN997048		FASTEN SAFETY CHAIN

I0006850
PR: t05g30n04d0051

SAFETY SIGN PLACEMENT (40'-50'
FIVE SECTION)



**7212, 7232, & 7252 SOIL CONDITIONER
SERVICE PARTS**

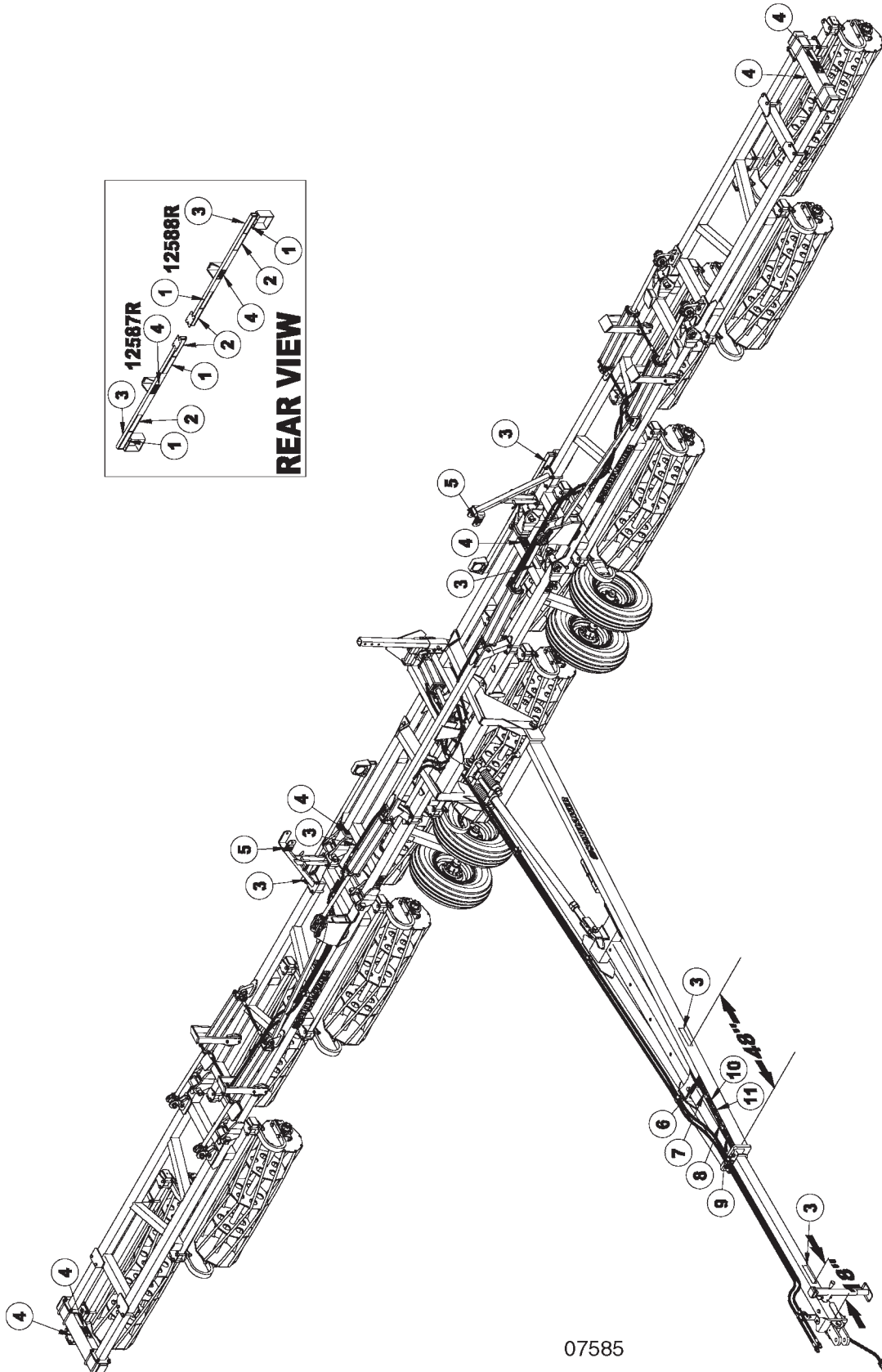
115

**SAFETY SIGN PLACEMENT (40'-50'
FIVE SECTION)**

ITEM	NUMBER	QTY	DESCRIPTION
1	SN997040		RED REFLECTIVE TAPE
2	SN997313		CAUTION - INSTALL LOCK PINS BEFORE TRANSPORTING
3	SN997042		STAY CLEAR OF FOLDING WINGS
4	SN997041		YELLOW REFLECTIVE TAPE
5	SN997310		TIPPING HAZARD
6	SN997045		WINGS CAN CONTACT ELECTRIC
7	SN997074		UNHITCHING HAZARD
8	SN997311		HIGH PRESSURE FLUID HAZARD
9	SN997792		DECAL-WARNING,READ OPERATOR'S MANUAL
10	SN997048		FASTEN SAFETY CHAIN

I0006103
PR: t05g30n04d0052

**SAFETY SIGN PLACEMENT (52'-56'
FIVE SECTION)**



07585

**7212, 7232, & 7252 SOIL CONDITIONER
SERVICE PARTS**

117

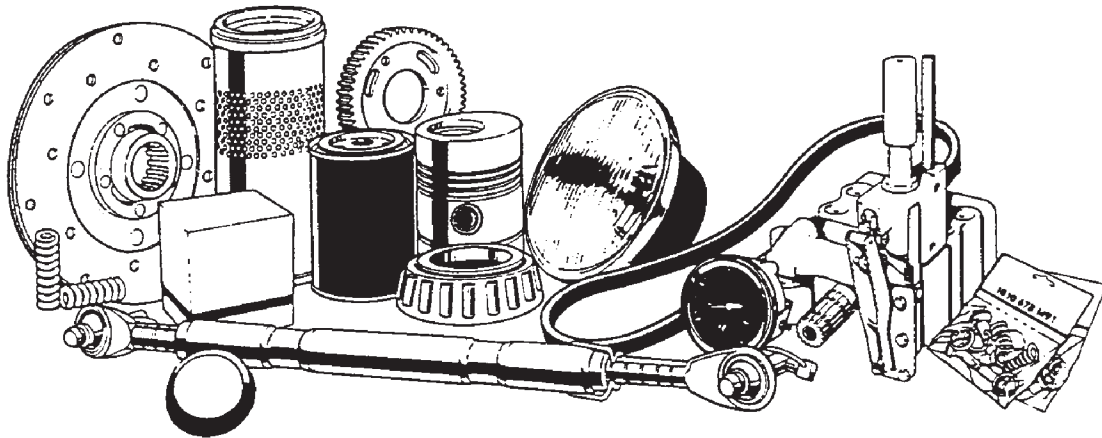
**SAFETY SIGN PLACEMENT (52'-56'
FIVE SECTION)**

ITEM	NUMBER	QTY	DESCRIPTION
1	SN997661		TAPE, RED REFLECTIVE 2" X 9" L
2	SN997662		TAPE, ORANGE REFLECTIVE 2" X 9" L
3	SN997663		TAPE, YELLOW REFLECTIVE 2" X 9" L
4	SN997042		STAY CLEAR OF FOLDING WINGS
5	SN997313		CAUTION - INSTALL LOCK PINS BEFORE TRANSPORTING
6	SN997799		DECAL-WARNING, LOSS OF CONTROL 25 MPH
7	SN997048		FASTEN SAFETY CHAIN
8	SN997074		UNHITCHING HAZARD
9	SN997792		DECAL-WARNING, READ OPERATOR'S
10	SN997310		TIPPING HAZARD
11	SN997045		WINGS CAN CONTACT ELECTRIC

I0007585
PR: t05g30n04d0053

RECOMMENDED DEALER STOCK

RECOMMENDED DEALER'S STOCK



**7212, 7232, & 7252 SOIL CONDITIONER
RECOMMENDED DEALER LIST**

119

RECOMMENDED DEALER STOCK

ITEM	NUMBER	QTY	DESCRIPTION
-	SN1935	2	BEARING (LM501349)
-	SN1606	2	BEARING (LM67048)
-	SN5527	2	BUSHING
-	SN4893	1	BUSHING, CLEVIS - 4 3/16" L.
-	SN5844	1	DUAL LAMP, AMBER FT/REAR & RED REAR,
-	SN5845	1	DUAL LAMP, AMBER FT/REAR & RED REAR,
-	SN1610	1	DUST CAP, 2.448" OD, Y/D
-	SN3095	4	FLAT WASHER, 1 1/2" ID X 2 1/4" OD,
-	SN2755	1	FLAT WASHER, 1 9/16" ID X
-	SN7969	1	HARNESS, 25' WISHBONE W/FLAT &
-	SN7968	1	HARNESS, 40' STR SEC, SHIELDED FESTOON
-	SN5848	1	HARNESS, 5' EXTENSION W/TRIAN-GULAR
-	SN5849	1	HARNESS, 5' EXTENSION W/TRIAN-GULAR
-	SN3302	1	HEX NUT, 1"-14 FULL SLOTTED GR 2,
-	SN3118	6	LUG BOLT, 9/16"-18 X 1 7/8" PRESS IN,
-	SN3117	6	LUG NUT, 9/16"-18, GR 5, 90 DEG TAPER,
-	SN1936	2	RACE (LM501310)
-	SN1605	2	RACE (LM67010)
-	SN12015	2	SEAL KIT, 3 1/2", 1 1/2" ROD CROSS
-	SN8778-1	2	SEAL KIT, 3 1/2", 1 1/2" ROD CROSS
-	SN8949-1	2	SEAL KIT, 3 1/2", 1 1/4" ROD, CROSS
-	SN8784-1	2	SEAL KIT, 4", 1 1/2" ROD,
-	SN8612-1	2	SEAL KIT, 4", 1 1/2" ROD, CROSS
-	SN8769-1	2	SEAL KIT, 3 1/2", 1 1/4" ROD, CROSS
-	SN3300	1	SIX BOLT HUB ASSEMBLY W/3301 SEAL
-	SN7001	1	SMV EMBLEM
-	SN3301	2	TRIPLE LIP SEAL
-	SN3090	2	TRUNNION BEARING COMPLETE
-	SN2614	2	U-BOLT, 1/2"-13 X 3" X 2 9/16" W,
-	SN6272	2	U-BOLT, 3/4"-10 X 6 1/4" X 5 13/16"
-	SN3306	2	U-BOLT, 5/8"-11 X 4 1/2" X 4 5/8" W,
-	SN3052	2	U-BOLT, 5/8"-11 X 5 5/8" X 4 3/4" W,
-	SN2984	2	U-BOLT, 5/8"-11 X 7 1/2" X 4 3/4" W,
-	SN3303	1	WASHER, 1 1/32" ID X 1 3/4" ODX 1/8"

NOTE: THIS PARTS STOCK LIST
INDICATES THOSE ITEMS RECOMMENDED
TO SERVICE ONE UNIT.

RDL
PR: t05g30n04d0054

Архангельск (8182)63-90-72	Иваново (4932)77-34-06	Магнитогорск (3519)55-03-13	Пермь (342)205-81-47	Сургут (3462)77-98-35
Астана (7172)727-132	Ижевск (3412)26-03-58	Москва (495)268-04-70	Ростов-на-Дону (863)308-18-15	Тверь (4822)63-31-35
Астрахань (8512)99-46-04	Иркутск (395)279-98-46	Мурманск (8152)59-64-93	Рязань (4912)46-61-64	Томск (3822)98-41-53
Барнаул (3852)73-04-60	Казань (843)206-01-48	Набережные Челны (8552)20-53-41	Самара (846)206-03-16	Тула (4872)74-02-29
Белгород (4722)40-23-64	Калининград (4012)72-03-81	Нижний Новгород (831)429-08-12	Санкт-Петербург (812)309-46-40	Тюмень (3452)66-21-18
Брянск (4832)59-03-52	Калуга (4842)92-23-67	Новокузнецк (3843)20-46-81	Саратов (845)249-38-78	Ульяновск (8422)24-23-59
Владивосток (423)249-28-31	Кемерово (3842)65-04-62	Новосибирск (383)227-86-73	Севастополь (8692)22-31-93	Уфа (347)229-48-12
Волгоград (844)278-03-48	Киров (8332)68-02-04	Омск (3812)21-46-40	Симферополь (3652)67-13-56	Хабаровск (4212)92-98-04
Вологда (8172)26-41-59	Краснодар (861)203-40-90	Орел (4862)44-53-42	Смоленск (4812)29-41-54	Челябинск (351)202-03-61
Воронеж (473)204-51-73	Красноярск (391)204-63-61	Оренбург (3532)37-68-04	Сочи (862)225-72-31	Череповец (8202)49-02-64
Екатеринбург (343)384-55-89	Курск (4712)77-13-04	Пенза (8412)22-31-16	Ставрополь (8652)20-65-13	Ярославль (4852)69-52-93
	Липецк (4742)52-20-81			
	Киргизия (996)312-96-26-47	Казахстан (772)734-952-31	Таджикистан (992)427-82-92-69	